

DE 3160

CHDE 3160

Cooker Hood

Operating and Installation Instructions

Contents

Safety warnings	56
For the user	56
For the installer	56
Description of the Appliance	58
Extractor version	58
Filter Version	59
Control Panel	60
Maintenance and care	61
Metal grease filter	61
Open the metal grease filter	61
Charcoal filter	62
Changing the light bulb	63
What to do if	64
Special accessories	65
Technical assistance service	65
Technical Specifications	66
Mounting accessories included	66
Electrical connection	67
Safety warnings for the electrician	67
Installing the hood between cupboards with hanging rails	68
Installing the hood to the wall	69
Fixing a furniture door to the visor	70



Safety warnings

For the user

- The cooker hood is designed to extract unpleasant odours from the kitchen, it will not extract steam.
- Always cover lighted elements, to prevent excess heat from damaging the appliance. In the case of oil, gas and coal fired cookers it is essential to avoid open flames.
- Also, when frying, keep the deep frying pan on the cooker top/cooker under careful control.
- The hot oil in the frying pan might ignite due to overheating.
- The risk of self-ignition increases when the oil being used is dirty.
- It is extremely important to note that overheating can cause a fire.
- **Never carry out any flambé cooking under the hood.**
- **Always disconnect the unit from the power supply before carrying out any work on the hood, including replacing the light bulb** (take the cartridge fuse out of the fuse holder or switch off the automatic circuit breaker).
- **It is very important to clean the hood and replace the filter at the recommended intervals. Failure to do so could cause grease deposits to build up, resulting in a fire hazard.**

For the installer

- When used as an extractor unit, the hood must be fitted with a 120mm diameter hose.
- **When installing the hood, make sure you respect the following minimum distance from the top edge of the cooking hob/ring surfaces:**

electric cookers	600 mm
gas cookers	650 mm
coal and oil cookers	700 mm min.
- The national standard on fuel-burning systems specifies a maximum depression of 0.04 bar in such rooms.
- The air outlet must not be connected to chimney flues or combustion gas ducts. The air outlet must under no circumstances be connected to ventilation ducts for rooms in which fuel-burning appliances are installed.
- The air outlet installation must comply with the regulations laid down by the relevant authorities.
- When the unit is used in its extractor version, a sufficiently large ventilation hole must be provided, with dimensions that are approximately the same as the outlet hole.

-
- National and regional building regulations impose a number of restrictions on using hoods and fuel-burning appliances connected to a chimney, such as coal or oil room-heaters and gas fires, in the same room.
 - Hoods can only be used safely with appliances connected to a chimney if the room and/or flat (air/environment combination) is ventilated from outside using a suitable ventilation hole approximately 500-600 cm² large to avoid the possibility of a depression being created during operation of the hood.
 - If you have any doubts, contact the relevant controlling authority or building inspector's office.
 - Since the rule for rooms with fuel burning appliances is "outlet hole of the same size as the ventilation hole", a hole of 500-600 cm², which is to say a larger hole, could reduce the performance of the extractor hood.
 - If the hood is used in its filtering function, it will operate simply and safely in the above conditions without the need for any of the aforementioned measures.
 - When the hood is used in its extractor function, the following rules must be followed to obtain optimal operation:
 - short and straight outlet hose
 - keep bends in outlet hose to a minimum
 - never install the hoses with an acute angle, they must always follow a gentle curve.
 - keep the hose as large as possible (preferably the same diameter as the outlet hole).
 - Failure to observe these basic instructions will drastically reduce the performance and increase the noise levels of the extractor hood.

Description of the Appliance

- The hood is supplied as an extractor unit and can also be used with a filtering function by fitting one charcoal filter.
- You will need an original AEG charcoal filter for this function (Available from your local AEG Service Force Centre).

Extractor version

- In this version fumes are extracted to the outside via a hose connected to the coupling ring **A**, placed in the outlet hole **B**. **Fig. 1**.
- In order to obtain the best performance the hose should have a diameter equal to the outlet hole.

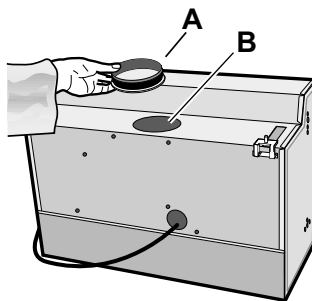


Fig. 1

- Depending on your installation the hose can be directed either towards the ceiling or towards the walls. **Fig. 2**.

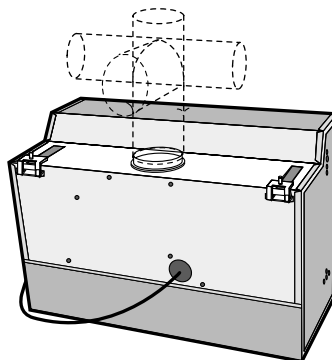


Fig. 2

Filter Version

- The air is filtered through a charcoal filter and returned to the kitchen.
- You will need an original AEG charcoal filter for the recirculation function. (Available from your local AEG Service Force Centre).
- Remove the grease filters, first pull the handles upwards, then extract the filter outwards. **Fig. 3.**

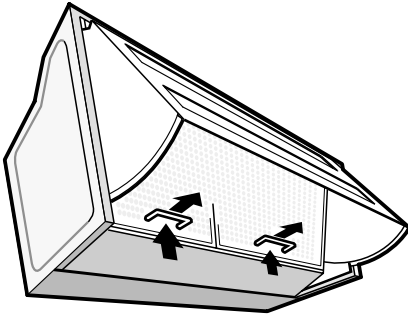
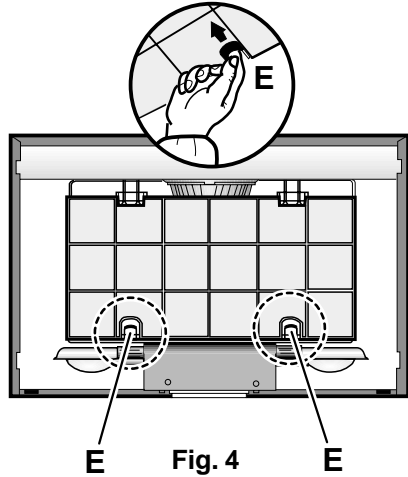


Fig. 3



- Insert the charcoal filter into the lugs of the frame above using the 2 red lugs **E** to retain it, press the red lugs inwards, and insert the charcoal filter in the frame. **Fig. 4.**
- Refit the grease filters.
- The deflector **F** must be fitted over the hole **B** (**Fig. 1**) fixing it with the screw provided. **Fig. 5.**

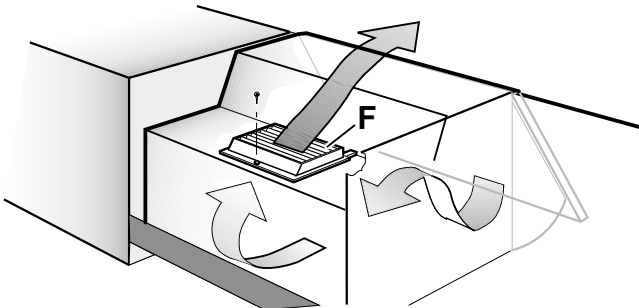


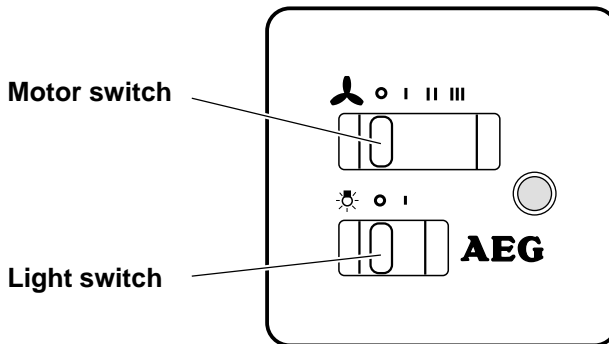
Fig. 5

Control Panel

- Best results are obtained by using a low speed for normal conditions and a high speed when odours are more concentrated. Turn the hood on a few minutes before you start cooking, you will then get an under pressure in the kitchen. The hood should be left on after cooking for about 15 minutes or until all the odours have disappeared.

The control switches are located on the unit's front panel:

- the **light switch** switches the hood lamp on and off
- the **motor switch** switches the cooking smoke and vapour extractor motor on and off, enabling you to select one of the three different speeds.



The hood is also equipped with a micro-switch which can be found under the lower runner of the visor on the right hand side.

With this micro-switch, the appliance may be automatically switched on and off by opening and closing the pull-out panel, but only if the fan speed has already been set and the light button is turned to "I".

Maintenance and care

- **The hood must always be disconnected from the electricity supply before beginning any maintenance work.**
- Never insert pointed objects in the motor's protective grid.
- Wash the outside surfaces using a delicate detergent solution. Never use caustic detergents or abrasive brushes or powders.
- Only ever clean the switch panel and filter grille using a damp cloth and delicate detergents.
- It is extremely important to clean the unit and change the filters at the recommended intervals. Failure to do so will cause grease deposits to build up that could constitute a fire hazard.

Metal grease filter

- The purpose of the grease filters is to aspirate grease particles which form during cooking and it **must** always be used, either in the external evacuation or internal recycling function.
Attention: the metal grease filters must be removed and washed, either by hand or in the dishwasher, every four weeks.

Open the metal grease filter

- To remove the grease filters, first pull the handles upwards, then extract the filter outwards. **Fig. 6.**

Hand washing

Soak grease filters for about one hour in hot water with a grease-loosening cleaner, then rinse off thoroughly with hot water. Repeat the process if necessary. Refit the grease filters when they are dry.

Dishwasher

Place grease filters in the dishwasher. Select most powerful washing programme and highest temperature, at least 65°C. Repeat the process. Refit the grease filters when they are dry.

When washing the metal grease filter in the dishwasher a slight discolouration of the filter can occur, this does not have any impact on its performance.

- Clean the inner housing using a hot detergent solution only (never use caustic detergents, abrasive powders or brushes).

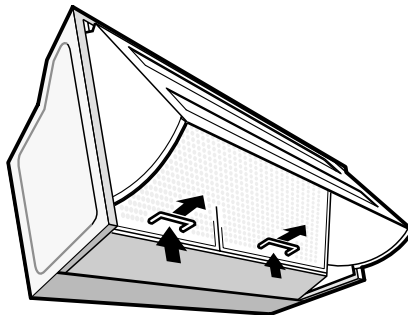


Fig. 6

Charcoal filter

- The charcoal filter should only be used if you want to use the hood in the recirculation function.
- To do this you will need an original AEG charcoal filter (available from your local Service Force Centre).
- The charcoal filter cannot be washed nor regenerated.
The charcoal filter should be replaced every 12 months under normal use.
Replacement filters are available from your local Service Force Centre.

Fitting the charcoal filter:

Insert the charcoal filter into the lugs of the frame above using the 2 red lugs **E** to retain it, press the red lugs inwards, and insert the charcoal filter in the frame. **Fig. 7.**

Removing:

- Press both red lugs **E** upwards (towards the inside of the housing) and remove the charcoal filter downwards. **Fig. 7.**
- Always specify the hood model code number and serial number when ordering replacement filters. This information is shown on the registration plate located on the inside of the unit.
- The charcoal filter can be ordered from your local Service Force Centre.

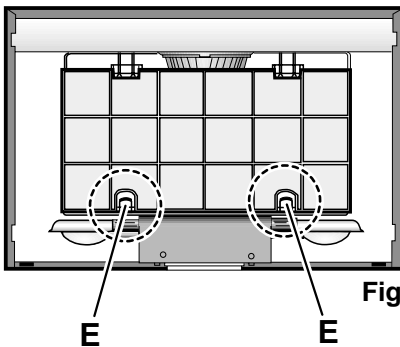
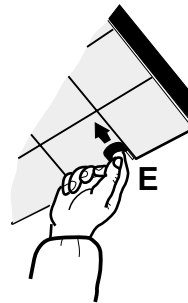


Fig. 4

Fig. 7





Warning

- Failure to observe the instructions on cleaning the unit and changing the filters will cause a fire hazard. You are therefore strongly recommended to follow these instructions.
- The manufacturer declines all responsibility for any damage to the motor or any fire damage linked to inappropriate maintenance or failure to observe the above safety recommendations.

Changing the light bulb

- Disconnect the cooker hood from the main supply.
- Remove the grease filter/s .
- Replace the old bulb with a new one of the same type.
- Refit the grease filter/s.
- If the light does not come on, make sure the bulb has been inserted correctly before contacting your local Service Force Centre.

What to do if

If your appliance fails to work properly please carry out the following checks.

Symptom	Solution
The cooker hood will not start...	Check that: The hood is connected to the electricity supply. Check that a fan speed has been selected
The cooker hood is not working effectively..	Check that: The fan speed is set high enough for the task. The grease filters are clean. The kitchen is adequately vented to allow the entry of fresh air. If set up for recirculation, check that the charcoal filter is still effective. If set up for extraction, check that the ducting and outlets are not blocked.
The cooker hood has switched off during operation...	The safety cut-out device has been tripped. Turn off the hob and then wait for the device to reset. If the hood has been installed below the heights indicated in the installation instructions the motor will cut-out frequently which will damage the hood.

If after all these checks, the problem persists, contact your local Service Force Centre, quoting the model and serial number.
Please note that it will be necessary to provide proof of purchase for any in-guarantee service calls.

In-guarantee customers should ensure that the above checks have been made as the engineer will make a charge if the fault is not a mechanical or electrical breakdown.

Special accessories*

Charcoal filter KLF60/80

E-Nr. 610 899 421

* Not available in UK, please contact your local Service Force Centre.

Technical assistance service (not for UK)

You are welcome to telephone our technical assistance service (see list of technical assistance centres) whenever you need information or in the unlikely event of a fault.

When calling, please be ready to specify:

1. **The model code number**
2. **The serial number (E-Nr.)**
3. **The manufacturing number (F-Nr.)**

This information is shown on the registration plate inside the unit behind the grease filter.

We reserve the right to change specifications and colours as a result of our policy of continuing technological development.

Service and spare parts for UK

In the event of your appliance requiring service, or if you wish to purchase spare parts, contact your local AEG Service Force Centre by telephoning: **08705 929 929**

Your call will be automatically routed to the Service Centre covering your post code area. For the address of your local Service Force Centre and further information about Service Force, please visit the website at www.serviceforce.co.uk

Please ensure that you have read the section „What to do if....“ as the engineer will make a charge if the fault is not a mechanical or electrical breakdown even the appliance is under warranty. **Please note that proof of purchase is required for in-guarantee service calls.**

Help us to help you

Please determine your type of enquiry before writing or telephoning.

When you contact us we need to know:

- Your name
- Address and post code
- Telephone number
- Clear and concise details of the fault
- Name and model of the appliance*
- E number*

* This information can be found on the rating plate, which can be seen when the grease filters are removed.

Technical Specifications

Model: DE 3160 - CHDE 3160

Dimensions: (in cm):

Height	40
Width	59,9
Depth	27

Maximum absorbed power: 200 W

Motor absorption: 120 W

Lighting: 2 x40 W

Length of the cable: 150 cm

Mounting accessories included

- 1 Flange Ø 100 mm
- 1 Flange Ø 120 mm
- 2 Hooks
- 2 rails
- 1 Deflector
- 2 Washers
- 4 wood-screws 5 x 45 mm
- 4 Wall plugs Ø 8 mm
- 1 Metal-screw 2,9 x 9,5
- 6 wood-screws 4,5x16
- 10 wood-screws 4,5x13
- 1 Spacer

Electrical connection (NOT FOR UK)

Safety warnings for the electrician

Before connecting the appliance to the power supply, check that the voltage indicated on the rating plate corresponds to the mains power supply available. Appliances fitted with a plug can be connected to any standard power socket within easy access.

Should it be necessary to provide a fixed connection, the hood must only be installed by an electrician authorised by the local electricity board. When installing, an omnipolar disconnector with a distance of at least 3 mm between contacts must be provided.

The manufacturer declines all responsibility for malfunctions resulting from failure to comply with the above instructions.

Electrical connection

220-230 V – by means of fixed power cable with plug.

(Fixed connection of the appliance must only be carried out by an authorised electrician.).

Electrical connection (ONLY FOR UK)

Safety warnings for the electrician

The electric outlet should be placed on the wall inside the chimney. The hood has a power cable, 150 cm, WITHOUT an earth connection and the rated voltage is 220 - 240 V (CHDE 3160).

Connect the hood to the mains supply via a double pole switch which has 3 mm minimum separation between the contacts.

The switch must be accessible at all times.

The following is valid in the United Kingdom only:

- the wire which is coloured blue must be connected to the terminal which is marked with the letter N or coloured black, -
- the wire which is coloured brown must be connected to the terminal which is marked with the letter L or coloured red.

Installing the hood between cupboards with hanging rails

- Remove the grease filters. **Fig. 6.**
- Take off the visor **G.** **Fig. 13.**
- Mount the two hanging rails directly underneath the edge of the cupboard using three screws 4,5 x 16 mm in each rail. Distance from first hole to front edge of the cupboards sides must be 153 mm. **Fig. 8.**

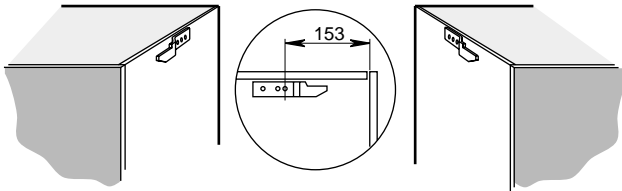


Fig. 8

- Push the extractor hood over the two hanging rails, then fix the hood from its inside to the cupboards sides with two screws (4,5 x 13) through the lower holes of the hood. **Fig. 9.**

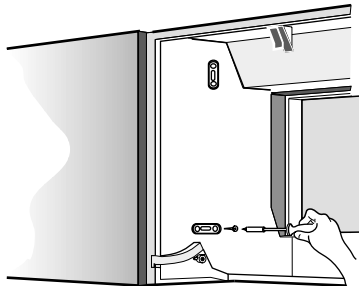


Fig. 9

- Refit the visor. **Fig. 13.**
- Refit the grease filters.
- Fit the spacer **M** on the hood with two screws **O** and washers, ensure that there is not a gap between the back of the hood and the wall by adjusting the spacer **M** tightly to the wall, using the screws **O**. **Fig. 11.**

Installing the hood to the wall

It is possible to fix the hood in position, if necessary, by only attaching it to the rear wall. Proceed as follows:

- Drill four \varnothing 8mm holes on the wall as indicated. **Fig. 10.**

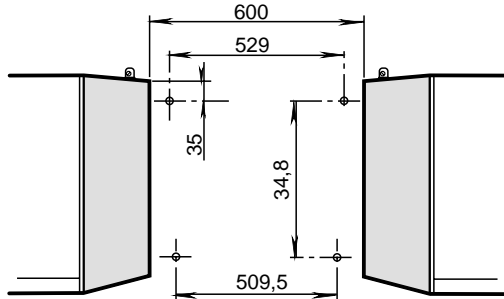


Fig. 10

- Insert the four wall plugs supplied into these holes.
- Screw the two mountings hooks **P** into the top two wall plugs. **Fig. 11.**

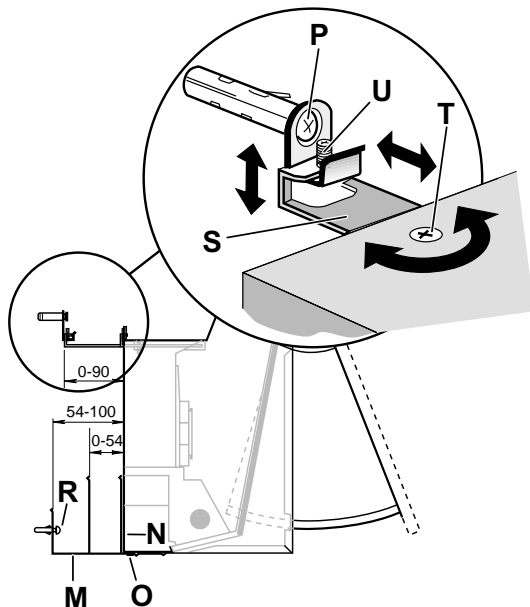


Fig. 11

- Fix the base spacer **M** to the wall with the two screws **R** 5x45 provided using either the long or the short arm, depending on the depth of the side cupboards. Do not tighten the screws fully. **Fig. 11.**
- Fix the hood to the wall by means of the two hooks **P** previously mounted, but first move the upper brackets **S** so that the front panel of the hood, once mounted, will be in line with the front edge of the cupboard doors. The two upper brackets **S**, located at the top rear edge of the hood may be slid backwards and forwards by loosening its fixing screws **T** adjacent to them on the upper hood surface. **Fig. 11.**
- Check that the hood is at the right height. Minor height adjustments may be made with the screws **U** embodied in the brackets. **Fig. 11.**
- Tighten the two wall fixing screws **R**, through the two access holes **N** provided on the inside of the hood then fix the lower sliding frame to the hood with two screws **O** and washers. **Fig. 11.**

Fixing a furniture door to the visor

Before fixing the furniture door to the visor, please ensure the distance between the plate and the upper edge of the cabinet door is correct (depends on the thickness of the material and whether or not there is an upper shelf). **Fig. 6.**

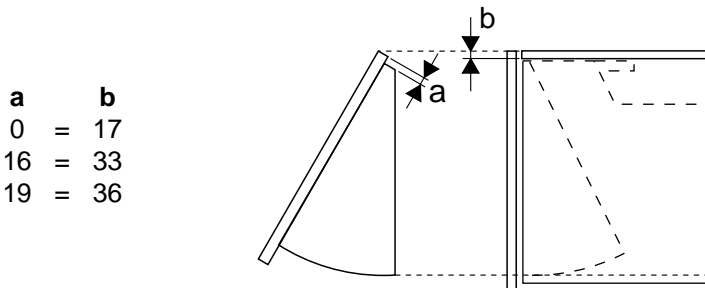


Fig. 12

- Remove the grease filters. **Fig. 3.**
- Take off the visor **G** by turning the rear locking knobs **H**. **Fig. 13.**

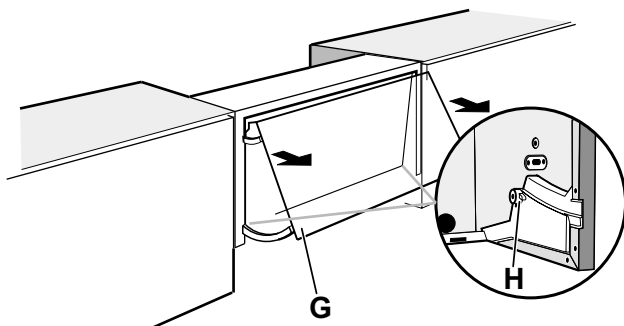


Fig. 13

- Draw a line with a pencil on the middle of the internal side of the furniture door. Fig. 14.

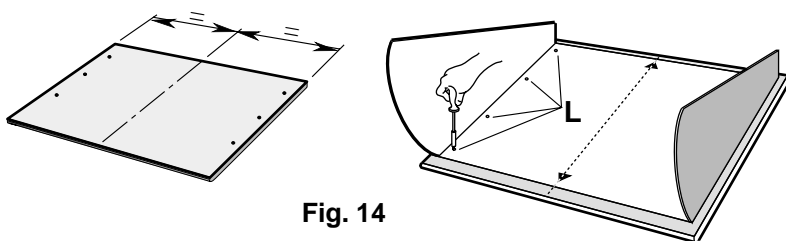


Fig. 14

- Fit the visor upon the internal side of the furniture door so that the line previously marked on it, is visible through the two triangles holes located on the mid upper and lower side of the visor, having care to respect the distance from the visor to the higher edge of the furniture door as for the reason mentioned above in **Fig. 12**.
- Fasten the visor to the furniture door through the 8 screws **L** 4,5x13 mm supplied. **Fig. 14**.
- Replace the complete visor assembly into the extractor hood, first inserting it on its upper, then on its lower guides.
- Turn the rear unlocking knobs **H** so to avoid the visor take off. **Fig. 13**.
- Refit the grease filters.

**AEG Hausgeräte GmbH
Postfach 1036
D-90327 Nürnberg**

**<http://www.aeg.hausgeraete.de>
<http://www.aeg.co.uk>**

© Copyright by AEG

LI1SCB Ed. 07/02