

**DESCRIPTION**

293-S Luminous Triple Ring features a soft "halo" of indirect illumination.

<b>Catalog #</b>		<b>Type</b>	
<b>Project</b>			
<b>Comments</b>		<b>Date</b>	
<b>Prepared by</b>			

**SPECIFICATION FEATURES**

**Material**

Cold rolled steel mounting pan and rings with a matte white acrylic diffuser.

**Finish**

Standard: Matte White (MW).  
Premium: Polished Chrome (PC), Satin Chrome (SC), Natural Aluminum (NA) [Sustainable Design], Satin Brass (SB), Polished Brass (PB), Lacquered Satin Aluminum (SAL), Polished Copper (PCP), Satin Copper (SCP), Oxidized Brass (OBRS), Satin Nickel (SN), Polished Nickel (PN), Lacquered Satin Chrome (SCL), Lacquered Satin Nickel (SNL) or Custom Color (CC).  
Note: For PC, PCP, PN and PB the upper ring faces are satined to reduce reflections of inner hardware. The edges are polished.

Custom Decorative Metals: (Specify a Color & Pattern)  
Colors - Clear (CLR), Cabernet (CBT), Sapphire (SPE), Sage (SGE), Brass (BRS), Copper (CRP), Black Pearl (BPL), Slate Green (SGN), Champagne (CMP), Chocolate (CLE), Indigo (IDO),

Royal Blue (RBE), or Pewter (PWR). Patterns - Coral (COL), Seashell (SHL) or Smooth (SMT). Minimum quantity is 10 of one color/pattern. Contact the factory for lead-time.

**Optics**

Refer to [www.shaperlighting.com](http://www.shaperlighting.com) for complete photometrics.

**Ballast**

Integral electronic HPF, multi-volt 120/277V (347V Canada), thermally protected with end-of-life circuitry to accommodate the specified lamp wattage.

**Lamp/Socket**

One (1) 22W or 40WT5 circular fluorescent lamp. Socket injection molded plastic. Lamps furnished by others.

**Installation**

Supplied with a universal circular strap for a standard 4" J-box or plaster ring.

**Options**

Hand Painted Faux Alabaster

Bowl (FB), Hand Painted Faux Linen Bowl (LNB), Frosted Acrylic Center Ring (ACR), Remote Emergency Battery - Supplied by others (REM), Damp Location (DL): All Painted Finishes, Lacquered Satin Chrome (SCL) and Lacquered Satin Nickel (SNL) finishes only. MRI Applications (INC only) - Contact Factory. Energy Star Rating- Contact Factory. Dimming available with 55WT5 - Contact factory.

**Labels**

U.L. and C.U.L. approved for indoor and damp location. See options for damp location finishing requirements.

**Modifications**

Shaper's skilled craftspeople with their depth of experience offer the designer the flexibility to modify standard surface luminaires for project specific solutions. Contact the factory regarding scale options, unique finishes, mounting, additional materials/colors, or decorative detailing.



**293-S SERIES**

Surface Luminaire  
Luminous Triple  
Ring Bowl



**ORDERING INFORMATION**

Sample Number: 293-S-T5C/1/40-277V-PCP

<b>Series</b> 293-S =Triple Ring Surface	<b>Lamp</b> T5C/1/22 T5C/1/40	<b>Voltage</b> 120V 277V 347V	<b>Finish</b> <sup>1</sup> <u>Standard</u> MW=Matte White <u>Premium</u> CC=Custom Color NA= Natural Aluminum OBRS=Oxidized Brass PB=Polished Brass PC=Polished Chrome PCP=Polished Copper PN=Polished Nickel SAL=Lacquered Satin Aluminum SB=Satin Brass SC=Satin Chrome SCL=Lacquered Satin Chrome SCP=Satin Copper SN=Satin Nickel SNL=Lacquered Satin Nickel	<b>Finish</b> (Custom Metals Only) <u>Colors</u> CLR=Clear CBT=Cabernet SPE=Sapphire SGE=Sage BRS=Brass CPR=Copper BPL=Pearl Black SGN=Slate Green CMP=Champagne CLE=Chocolate IDO=Indigo RBE=Royal Blue PWR=Pewter <u>Pattern</u> COL=Coral SHL=Seashell SMT=Smooth	<b>Options</b> ACR=Frosted Acrylic Center Ring DL=Damp Location <sup>3</sup> FB=Hand Painted Faux Alabaster Bowl LNB=Hand Painted Faux Linen Bowl REM=Remote Emergency Battery <sup>2</sup>
---	-------------------------------------	--	---	---	--

**Notes:**

- For polished finishes the bottom inside edge of the ring is satin to prevent upper ring reflections.
- Supplied by others.
- Interior applications only.

**SUSTAINABLE DESIGN**

Shaper has a long-standing history of offering environmentally-friendly fixtures. The copper and bronze alloys used in our exterior luminaires feature up to 98% recycled content, contribute less undesirable air emissions compared to painted aluminum and are easy to recycle.

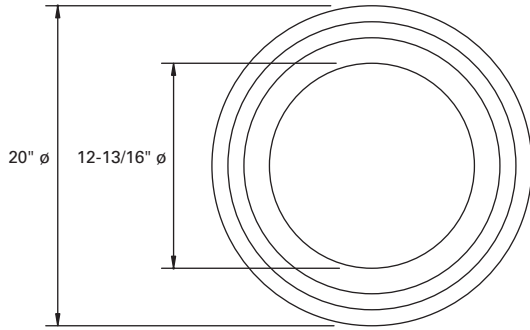
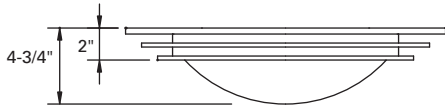
**MAGNETIC RESONANCE IMAGING (MRI)**

Lighting fixtures for MRI facilities are specialized and unique, requiring non-ferrous construction. Fluorescent fixtures cannot be used due to the ferrous parts in ballasts and lampholders. Modified incandescent fixtures meet the requirements.

**ENERGY STAR**

Shaper now offers a wide variety of fixtures that can be provided with an Energy Star Rating.

Refer to the Icon Legend  
Link on [shaperlighting.com](http://shaperlighting.com).



293-S STANDARD

COMPANION PRODUCTS



494-RP



494



693-S



693-WP