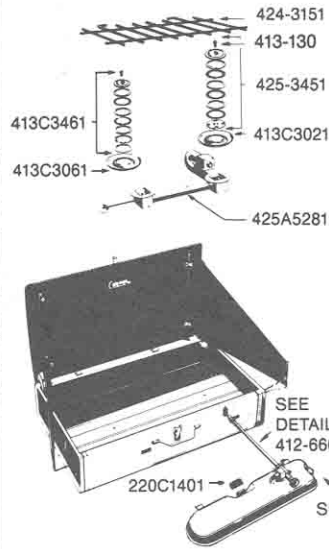


How to Use and Enjoy Your Coleman Fuel Camp Stove models 413H, 425F, and 426E

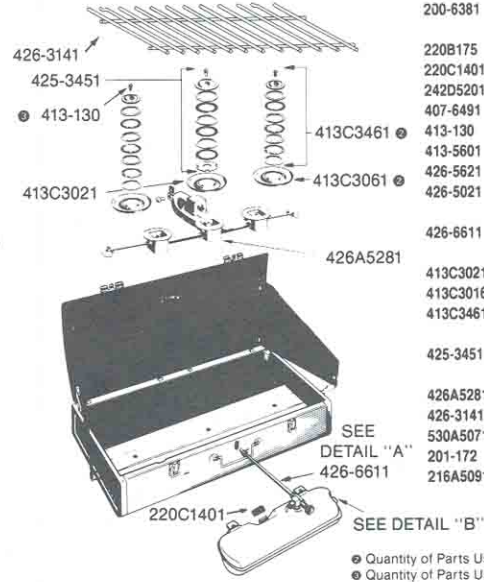
SAVE

model 425F



PART NO.	DESCRIPTION
8B242	Enamel, Fount Green
200-6381	Check Valve & Stem Ass'y.
220B175	Self-Tapping Screw
220C1401	Filler Cap Complete
242D5201	Pump Plunger Ass'y.
412-5621	Generator
412-6601	Valve and Generator
413-130	Screw
413C3461	Auxiliary Burner Cap and Fillers
413C3021	Master Burner Bowl
413C3061	Auxiliary Burner Bowl
425-1491	Valve Wheel
425-3451	Master Burner Cap and Fillers
425A5281	Manifold Ass'y.
424-3151	Grate
425-6461	Tube Assembly (Fuel and Air)
425B1651	Tank Complete
530A5071	Pump Cap Clip
216A5091	Pump Cup & Clip

model 426E



PART NO.	DESCRIPTION
8B242	Enamel, Fount Green
200-6381	Check Valve & Stem Ass'y.
220B175	Self-Tapping Screw
220C1401	Filler Cap
242D5201	Pump Plunger Ass'y.
407-6491	Valve Wheel
413-130	Screw
413-5601	Tank (Complete)
426-5621	Generator
426-5021	Tube Ass'y. (Fuel & Air)
426-6611	Valve and Generator (Complete)
413C3021	Master Burner Bowl
413C3061	Auxiliary Burner Bowl
413C3461	Auxiliary Burner Cap & Fillers
425-3451	Master Burner Cap & Fillers
426A5281	Manifold Assembly
426-3141	Grate
530A5071	Pump Cap Clip
201-172	Direction Disc
216A5091	Pump Cup & Clip

● Quantity of Parts Used in Assembly
● Quantity of Parts Used in Assembly

Coleman Model 425F 3 Year Limited Warranty

Coleman will repair or replace, at its option, this product or any component found to be defective in materials or workmanship within three years of the original retail purchase.

This warranty is valid for the original retail purchase and is not transferable. Keep the original sales receipt. Proof of purchase is required to obtain warranty performance. Coleman dealers, service centers, or retail stores offering Coleman products do not have authority to alter, modify or in any way change the terms or conditions of this warranty.

WHAT IS NOT COVERED

- Cost of shipment to Coleman
- Normal wear and tear, including chips, scratches, abrasion, discoloration or fading from use or exposure to sunlight
- Damage caused by misuse, abuse, neglect, alterations, repairs by unauthorized persons, use of non-Coleman accessories or parts, or failure to follow recommended care or maintenance instructions
- Products sold outside the United States, Puerto Rico, Virgin Islands, Guam, Canal Zone or American Samoa
- Mantles, generators, light bulbs, batteries, fuel
- Consequential damages, incidental damages, or expenses, including damages to property. Some states do not allow the exclusion or limitation of incidental or consequential damages, so the above limitation or exclusion may not apply to you.

IMPLIED WARRANTIES

Any implied warranties, including implied warranties of merchantability and fitness for a particular purpose, shall be limited to the duration and terms of the express warranties set forth in the limited warranty. Some states do not allow limitations on how long an implied warranty lasts, so the above limitation may not apply to you.

HOW TO OBTAIN WARRANTY PERFORMANCE

Take the product to an authorized Coleman Service Center. If one is not conveniently located, attach a tag to the product which includes your name, address, telephone number and description of the problem. Include a copy of the original sales receipt. Carefully package the product and send prepaid either by U.P.S. or Parcel Post, insured, to the address below. Please do not mail products with fuel in tanks, or with disposable propane cylinders. Remove glass globes from lanterns.

NOTE: To the extent any provision of this warranty is prohibited by federal, state, or local law and cannot be preempted, it shall not be applicable. This warranty gives you specific rights and you may also have other rights which vary from state to state.

COLEMAN OUTDOOR PRODUCTS, INC.
3600 N. Hydraulic, Wichita, Kansas 67219, 1-800-835-3278

Made in United States of America

COLEMAN OUTDOOR PRODUCTS, INC.
General Office and Factory: Wichita, Kansas U.S.A. 67219

413-0500 (4-92) P.I.

LITHO IN U.S.A.

Coleman Model 426E, 413H 5 Year Limited Warranty

Coleman will repair or replace, at its option, this product or any component found to be defective in materials or workmanship within five years of the original retail purchase.

This warranty is valid for the original retail purchase and is not transferable. Keep the original sales receipt. Proof of purchase is required to obtain warranty performance. Coleman dealers, service centers, or retail stores offering Coleman products do not have authority to alter, modify or in any way change the terms or conditions of this warranty.

WHAT IS NOT COVERED

- Cost of shipment to Coleman
- Normal wear and tear, including chips, scratches, abrasion, discoloration or fading from use or exposure to sunlight
- Damage caused by misuse, abuse, neglect, alterations, repairs by unauthorized persons, use of non-Coleman accessories or parts, or failure to follow recommended care or maintenance instructions
- Products sold outside the United States, Puerto Rico, Virgin Islands, Guam, Canal Zone or American Samoa
- Mantles, generators, light bulbs, batteries, fuel
- Consequential damages, incidental damages, or expenses, including damages to property. Some states do not allow the exclusion or limitation of incidental or consequential damages, so the above limitation or exclusion may not apply to you.

IMPLIED WARRANTIES

Any implied warranties, including implied warranties of merchantability and fitness for a particular purpose, shall be limited to the duration and terms of the express warranties set forth in the limited warranty. Some states do not allow limitations on how long an implied warranty lasts, so the above limitation may not apply to you.

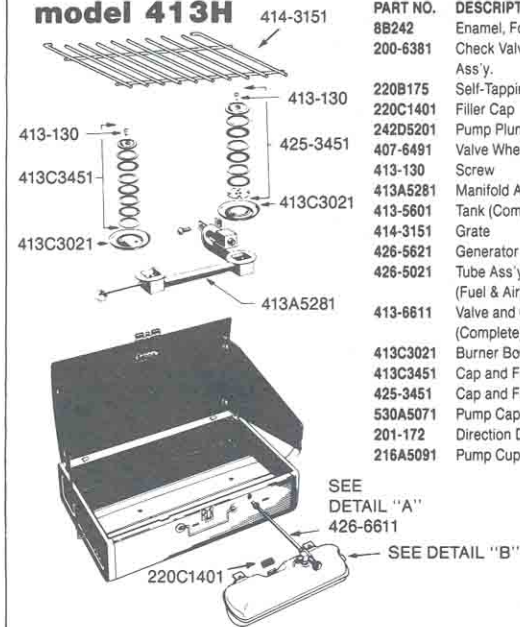
HOW TO OBTAIN WARRANTY PERFORMANCE

Take the product to an authorized Coleman Service Center. If one is not conveniently located, attach a tag to the product which includes your name, address, telephone number and description of the problem. Include a copy of the original sales receipt. Carefully package the product and send prepaid either by U.P.S. or Parcel Post, insured, to the address below. Please do not mail products with fuel in tanks, or with disposable propane cylinders. Remove glass globes from lanterns.

NOTE: To the extent any provision of this warranty is prohibited by federal, state, or local law and cannot be preempted, it shall not be applicable. This warranty gives you specific rights and you may also have other rights which vary from state to state.

COLEMAN OUTDOOR PRODUCTS, INC.
3600 N. Hydraulic, Wichita, Kansas 67219, 1-800-835-3278

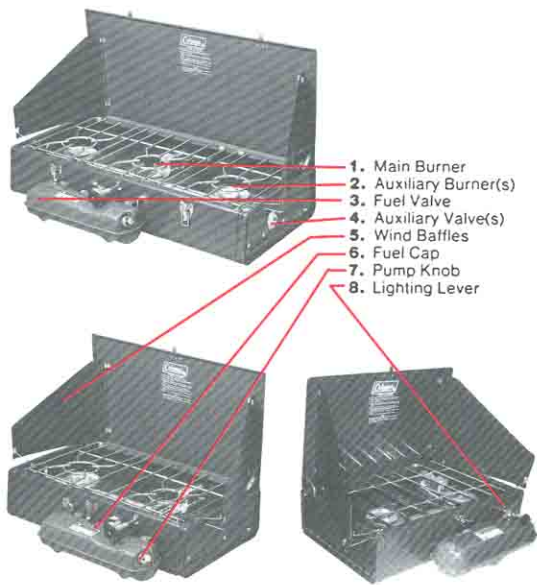
model 413H



PART NO.	DESCRIPTION
8B242	Enamel, Fount Green
200-6381	Check Valve & Stem Ass'y.
220B175	Self-Tapping Screw
220C1401	Filler Cap
242D5201	Pump Plunger Ass'y.
407-6491	Valve Wheel
413-130	Screw
413A5281	Manifold Assembly
413-5601	Tank (Complete)
414-3151	Grate
426-5621	Generator
426-5021	Tube Ass'y. (Fuel & Air)
413-6611	Valve and Generator (Complete)
413C3021	Burner Bowl
413C3451	Cap and Fillers
425-3451	Cap and Fillers
530A5071	Pump Cap Clip
201-172	Direction Disc
216A5091	Pump Cup & Clip

SEE
DETAIL "A"
426-6611

SEE
DETAIL "B"



1. Main Burner
2. Auxiliary Burner(s)
3. Fuel Valve
4. Auxiliary Valve(s)
5. Wind Baffles
6. Fuel Cap
7. Pump Knob
8. Lighting Lever

1 Follow Instructions And Warnings To Avoid Injury Or Fires.

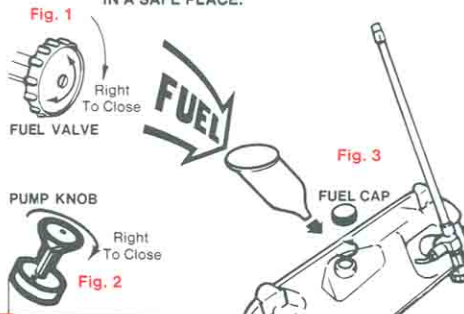
WARNING:

1. Coleman fuel is extremely flammable, handle with extreme care. Fuel vapors are invisible, explosive, and can be ignited by ignition sources many feet away.
2. This stove is designed to use Coleman fuel. Never use kerosene, gasohol, regular or premium leaded automotive fuel.
3. Store fuel in a clean, properly marked container away from flame (including pilot lights), other sources of ignition, or excessive heat.
4. Always fill outdoors. Never fill tank, loosen or remove fuel cap while tank is attached to stove, near flame (including pilot lights), or other ignition sources. Never remove tank while stove is burning.
5. Always light and use stove outdoors; never inside house, camper, tent, or other unventilated or enclosed areas.
6. This stove consumes air (oxygen). Do not use in unventilated or enclosed areas to avoid endangering your life.
7. Use for cooking only. Never alter in any way or use with any device or part not expressly approved by Coleman. Never use as a space heater. Never leave stove unattended while burning.
8. Keep stove away from flammables. Never allow fabric, clothing, or any flammable material to come within four feet of the top and one foot of all sides of the stove.
9. Clean stove frequently to avoid grease accumulations and possible grease fires.
10. Keep out of reach of children.

2 To Fill Tank

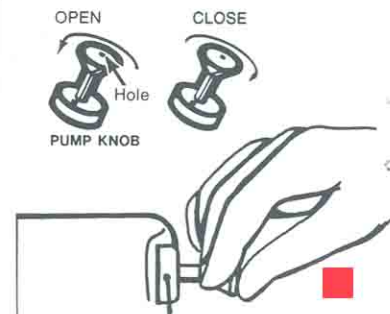
Always Fill Outdoors. Never fill tank, loosen or remove fuel cap while tank is on or attached to stove, near flame (including pilot lights), or other ignition sources.

1. Close FUEL VALVE firmly. (fig. 1)
 2. Close PUMP KNOB firmly. (fig. 2)
 3. Place tank on level surface resting at angle shown in fig. 3.
 4. Remove FUEL CAP. Use a Coleman filter funnel or suitable filling device and fill with clean, fresh fuel.
 5. Replace FUEL CAP on tank and on fuel can. Tighten firmly.
- WIPE UP ANY SPILLED FUEL AND DISPOSE OF IN A SAFE PLACE.**



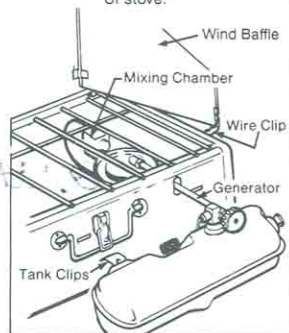
3 To Pump

1. The FUEL VALVE and FUEL CAP MUST be closed firmly.
2. Open PUMP KNOB one turn. Place thumb over hole in PUMP KNOB and pump approximately 35 full strokes.
3. Close PUMP KNOB firmly.



4 To Install Tank

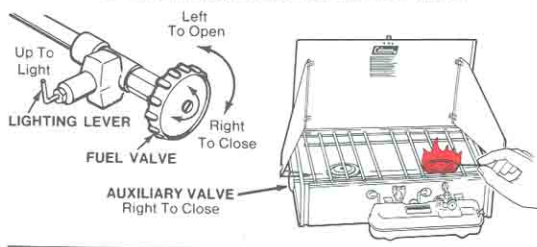
1. Insert generator into large hole on the front of the stove and into mixing chamber above burner.
2. Engage tank clips into slots on the front of the stove.
3. Swing wind baffles out and insert the wire clips into slots in ends of stove.



5 To Light Main Burner

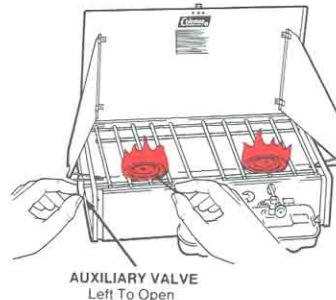
To light the stove, follow the numbered steps below. Be sure to hold a lighted match at the main burner **before** opening the fuel valve. When opening the fuel valve, **QUICKLY** open it AT LEAST 2 FULL TURNS.

1. Close AUXILIARY VALVE.
2. Turn LIGHTING LEVER to "Up" position.
3. First, hold lighted match at edge of main burner and then **QUICKLY** open FUEL VALVE AT LEAST 2 FULL TURNS. **CAUTION:** A persistent high, yellow flame indicates flooding or a leak. Close fuel valve, allow flames to burn out, and stove to cool. Turn stove upside down to empty out any fuel from inside the burner. Wipe dry. Carefully review instructions before relighting stove.
4. Wait at least one minute and then turn LIGHTING LEVER down.
5. Open PUMP KNOB and pump additional pressure into tank. Close PUMP KNOB.
6. Adjust flame to desired heat with FUEL VALVE.



6 To Light Auxiliary Burner

1. After the main burner has been lighted, the auxiliary burner may be lighted.
2. Hold a lighted match at edge of AUXILIARY BURNER and open the AUXILIARY VALVE.

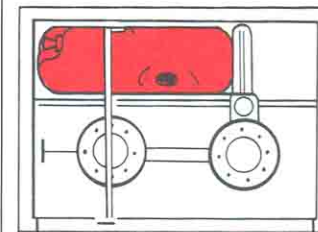


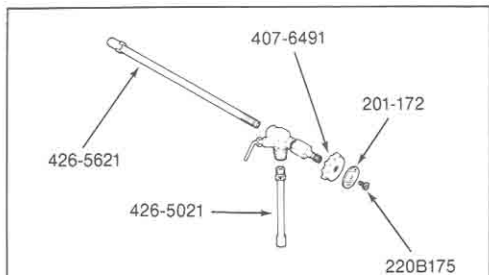
7 To Shut Off Burners

1. Shut off auxiliary burner by closing the AUXILIARY VALVE.
 2. Close FUEL VALVE firmly.
- NOTE:** Flame will linger on main burner for a few minutes after fuel valve is closed.

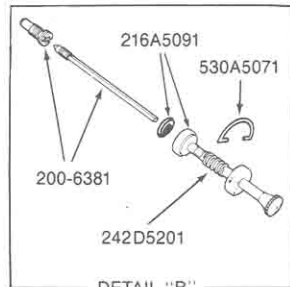
8 To Pack Stove

The tank goes in the left end of the stove with the valve wheel fitted in under the rear flange of the case.

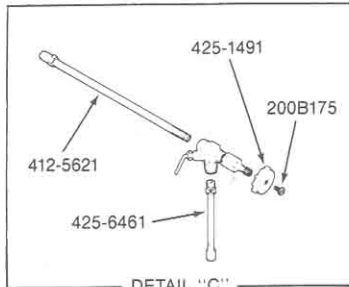




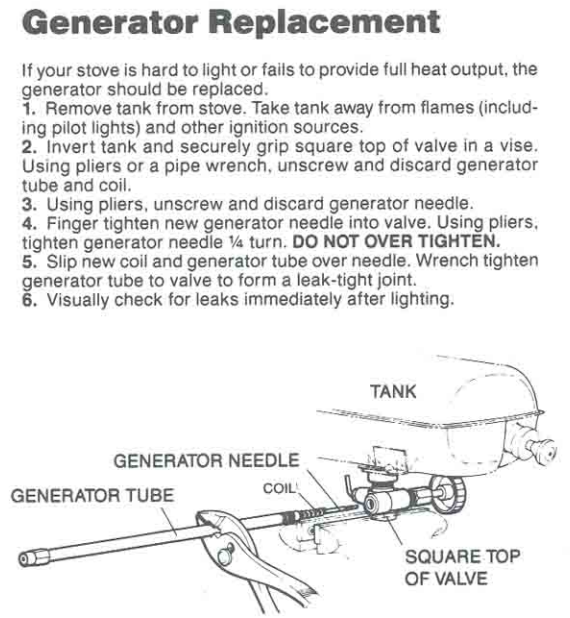
DETAIL "A"
426-6611



DETAIL "B"
242D5201



DETAIL "C"
412-6601



Things You Should Know

1. **For best results, use only Coleman fuel in this stove.** Coleman fuel is especially formulated and tested to rigid specifications for optimum performance, long storage life, and corrosion resistance. Use of other fuels including unleaded automotive fuel may shorten generator life, damage stove, and result in unsatisfactory performance.
2. Rinse tank twice a year with fresh fuel to remove sediment, gum formations, and moisture accumulations.
3. Oil pump periodically to keep it working smoothly.
4. If a small orange flame develops where the generator enters the mixing chamber above the main burner, shut off all burners and allow the generator to cool. Use a wrench to tighten the fitting on the end of the generator.
5. The usual storage areas for camping and picnic equipment is the basement, attic, or garage. To avoid the accumulation of dust, cobwebs, etc., that is common in these storage areas, place your stove in a plastic bag and seal it with a rubber band.
6. For repair service call 1-800-835-3278 TOLL FREE (outside Kansas) or 316-261-3312 (inside Kansas) for location of your nearest Coleman Service Center. If stove must be mailed to Service Center, attach your name, address, and a description of problem to stove and mail to Service Center prepaid. If necessary to write the Service Center or factory, refer to your stove by specific model number on front of stove.