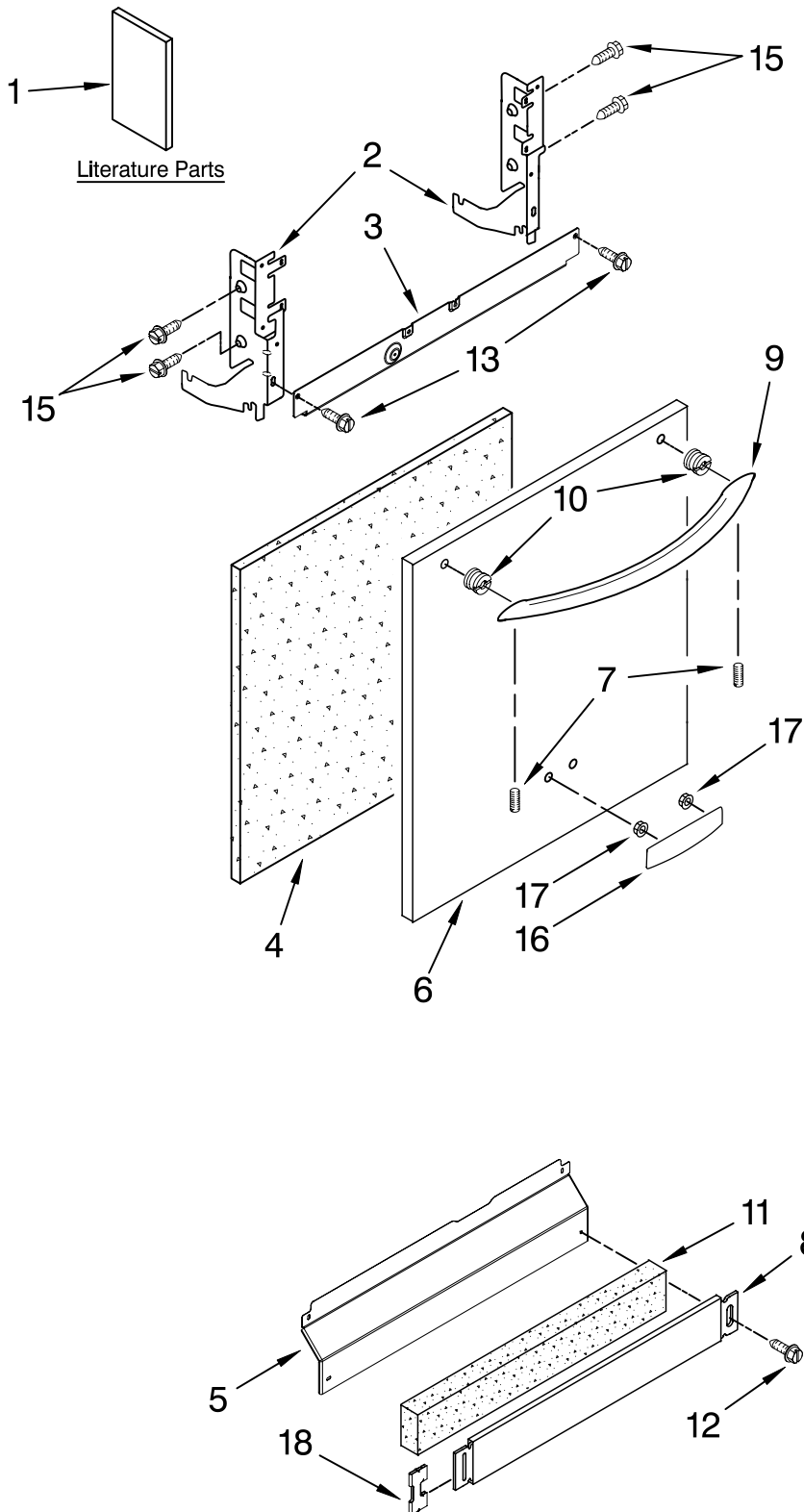


# KitchenAid® DOOR AND PANEL PARTS

For Models: KUDE03FTBL1, KUDE03FTWH1, KUDE03FTSS1  
 (Black) (White) (Stainless)

UNDERCOUNTER  
 DISHWASHER

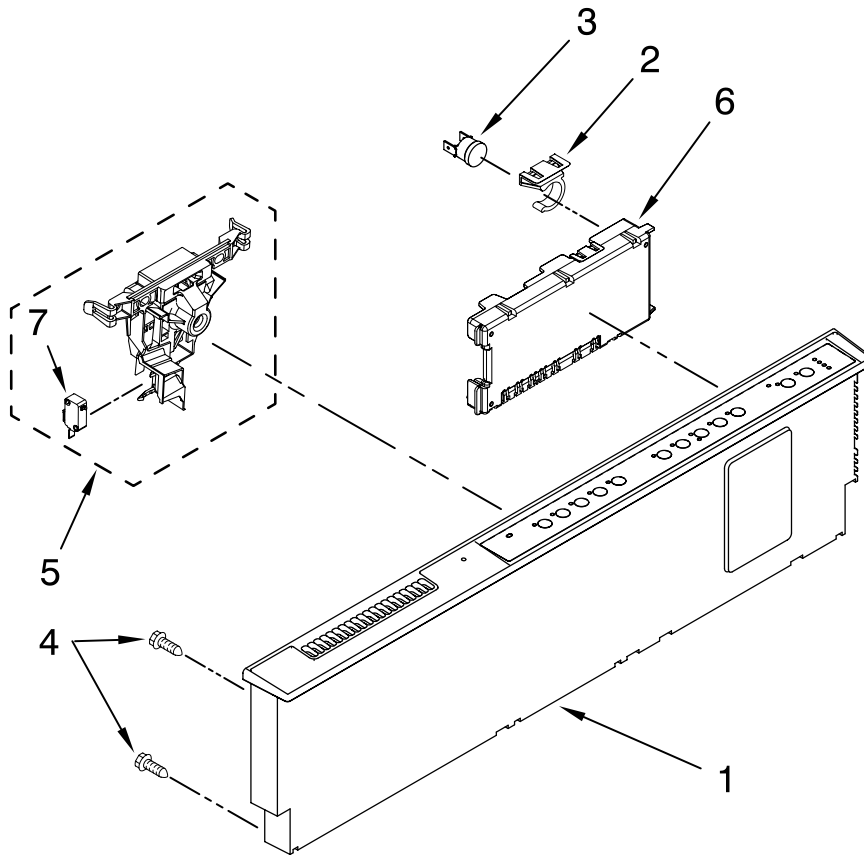


Illus. No.	Part No.	DESCRIPTION
1	W10078153	Literature Parts Instructions, Installation
	W10084438	Energy Guide
	W10193743	Guide, Use & Care Spanish
	W10193742	Guide, Use & Care English/French
	W10142826	Tech Sheet
	W10158347	Tech Sheet, French
2	8534854	Left Arm, Hinge
	8534853	Right
3	8564886	Stiffener, Door
4	W10073520	Insulation, Door
5		Access Panel
	8573255	Black
	8573256	White
6		Panel, Full Front (Includes Items 4, 10, 16 & 17)
	W10078007	Black
	W10078008	White
	W10137623	Stainless
7	8534008	Screw
8		Toe Panel (Includes Items 11 & 18)
	8558252	Black
	8558253	White
9		Handle Assy (Includes Item 7)
	W10083936	Black
	W10083937	White
	W10083935	Stainless
10	8564951	Stud, Mounting
11	8268581	Insulation, Toe Panel
12		Screw
	302868	Black
	3400836	White
13	304392	Screw
15	3400071	Screw
16		Nameplate
	W10021860	Black
	W10021870	White
	W10021850	Stainless
17	2004333	Nut
18	8269016	Clip, Grounding

FOR ORDERING INFORMATION REFER TO PARTS PRICE LIST

# CONTROL PANEL PARTS

For Models: KUDE03FTBL1, KUDE03FTWH1, KUDE03FTSS1  
 (Black) (White) (Stainless)

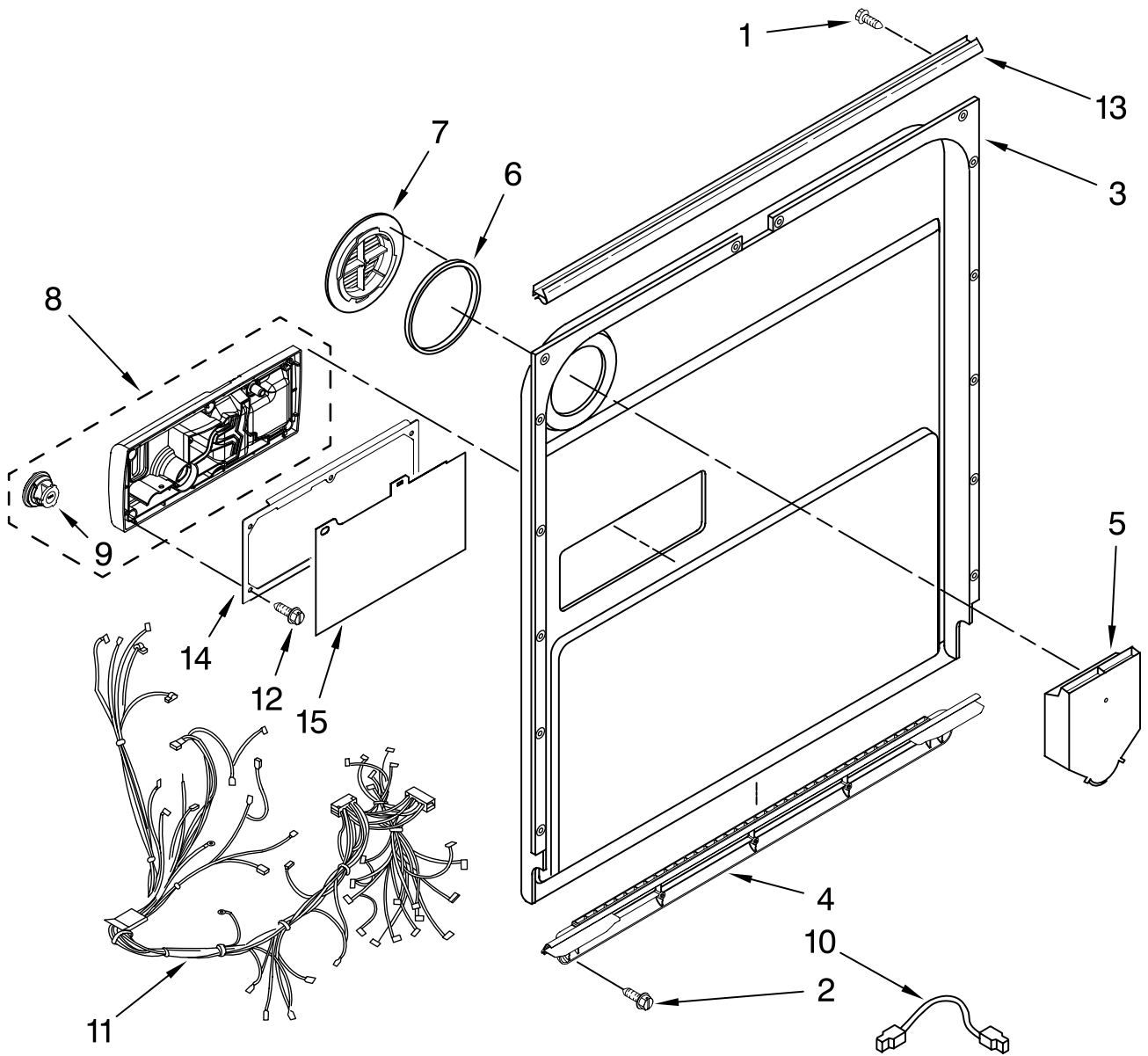


Illus. No.	Part No.	DESCRIPTION
1		Console Assembly (Includes Insert)
	W10084465	Black
	W10084466	White
	W10084467	Stainless
2	8546546	Clip, Bi-Metal
3	661663	Bi-Metal
4	3369051	Screw
5	W10077360	Latch Assembly
6	W10158345	Control, Electronic
7	W10134019	Switch, Door

FOR ORDERING INFORMATION REFER TO PARTS PRICE LIST

# DOOR AND LATCH PARTS

For Models: KUDE03FTBL1, KUDE03FTWH1, KUDE03FTSS1  
(Black) (White) (Stainless)



Illus. No.	Part No.	DESCRIPTION
1	3369051	Screw, Door
2	8281217	Screw
3	W10056249	Inner Door Mastic Assembly (Also Order Item 6)
4	W10077883	Inlet, Air
5	8572611	Vent Assembly (Also Order Item 6)

Illus. No.	Part No.	DESCRIPTION
6	8269259	Gasket, Vent
7	W10077877	Deflector, Vent (Also Order Item 6)
8	W10077882	Dispenser, Assembly
9	W10077881	Knob, Rinse Aid

Illus. No.	Part No.	DESCRIPTION
10	8545608	Harness, Vent Motor
11	W10137633	Wiring Harness
12	8281154	Screw
13	8535660	Seal, Console/door
14	8535637	Bracket, Dispenser
15	8531865	Shield, Dispenser

FOR ORDERING INFORMATION REFER TO PARTS PRICE LIST

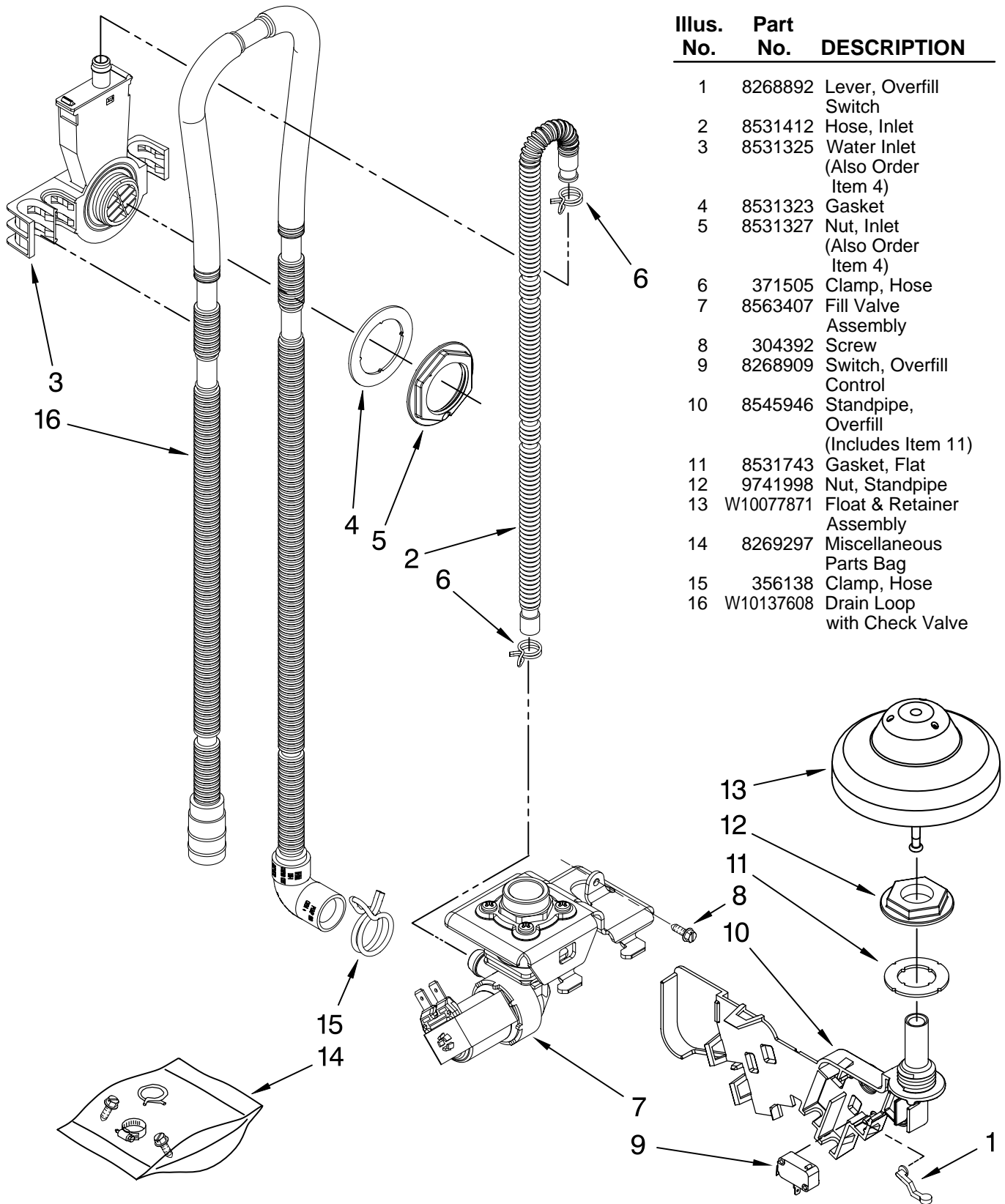
# FILL, DRAIN AND OVERFILL PARTS

For Models: KUDE03FTBL1, KUDE03FTWH1, KUDE03FTSS1

(Black)

(White)

(Stainless)



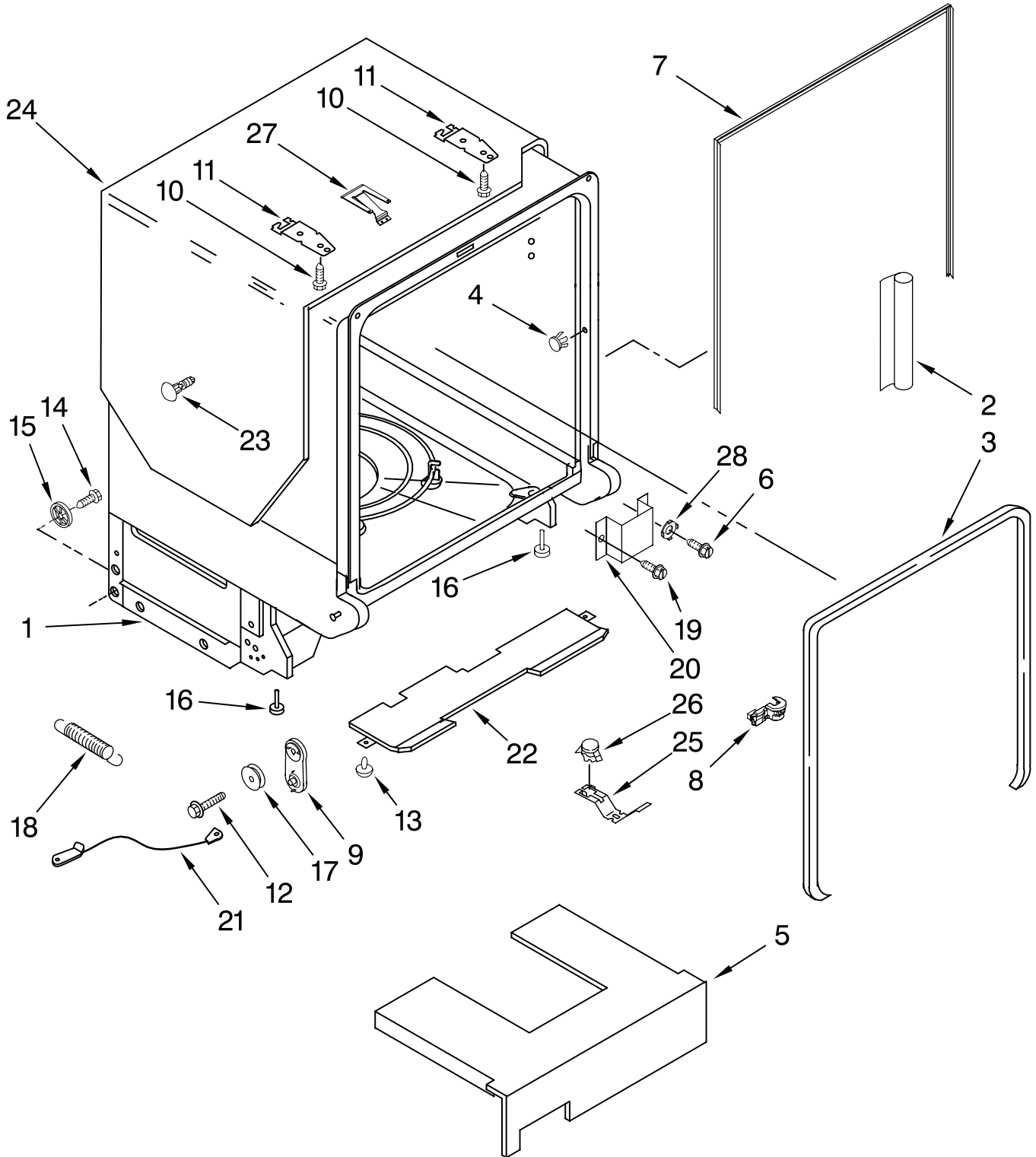
Illus. No.	Part No.	DESCRIPTION
------------	----------	-------------

- |    |           |  |
|----|-----------|--|
| 1  | 8268892   | Lever, Overflow Switch                 |
| 2  | 8531412   | Hose, Inlet                            |
| 3  | 8531325   | Water Inlet (Also Order Item 4)        |
| 4  | 8531323   | Gasket                                 |
| 5  | 8531327   | Nut, Inlet (Also Order Item 4)         |
| 6  | 371505    | Clamp, Hose                            |
| 7  | 8563407   | Fill Valve Assembly                    |
| 8  | 304392    | Screw                                  |
| 9  | 8268909   | Switch, Overflow Control               |
| 10 | 8545946   | Standpipe, Overflow (Includes Item 11) |
| 11 | 8531743   | Gasket, Flat                           |
| 12 | 9741998   | Nut, Standpipe                         |
| 13 | W10077871 | Float & Retainer Assembly              |
| 14 | 8269297   | Miscellaneous Parts Bag                |
| 15 | 356138    | Clamp, Hose                            |
| 16 | W10137608 | Drain Loop with Check Valve            |

FOR ORDERING INFORMATION REFER TO PARTS PRICE LIST

# TUB AND FRAME PARTS

For Models: KUDE03FTBL1, KUDE03FTWH1, KUDE03FTSS1  
 (Black)                      (White)                      (Stainless)



FOR ORDERING INFORMATION REFER TO PARTS PRICE LIST

# TUB AND FRAME PARTS

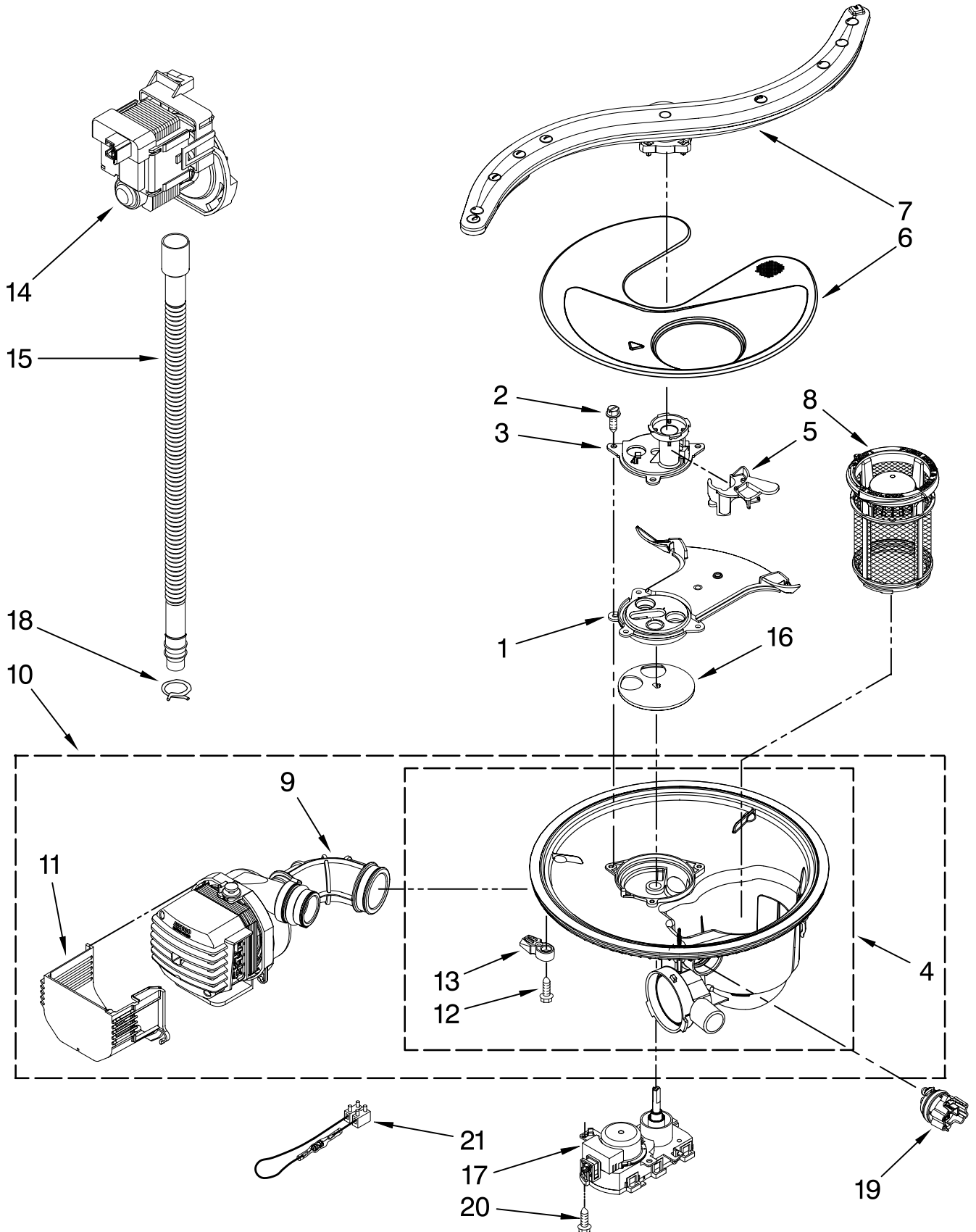
For Models: KUDE03FTBL1, KUDE03FTWH1, KUDE03FTSS1  
 (Black) (White) (Stainless)

Illus. No.	Part No.	DESCRIPTION
1	W10056238	Tub Assembly
2	8574123	Barrier, Moisture Undercounter
3	W10112096	Door Seal
4	W10082838	Plug Tub
5	8545574	Absorber, Sound
6	3400014	Screw
7	8269110	Seal, Cabinet
8	8573061	Strain Relief
9	8270021	Mount, Door Balance
10	3367670	Screw
11	8269145	Bracket, Undercounter
12	3400074	Screw
13	3400924	Retainer, Push-in
14	3370389	Screw
15	8268977	Wheel Leg
16	8524584	Leveler, Leg
17	8524474	Wheel, door Balance
18	8270020	Spring, Door Balance
19	3400892	Screw
20	8268991	Cover, Terminal Box
21	8535568	Link, Door Balance
22	8268582	Insulator, Sound
23	304666	Retainer, Push
24	8573239	Shield, Sound Tub
25	9742648	Bracket, Thermostat
26	661566	Thermostat
27	W10077370	Strike, Latch
28	3378128	Washer, Pronged Cup

FOR ORDERING INFORMATION REFER TO PARTS PRICE LIST

# PUMP, WASHARM AND MOTOR PARTS

For Models: KUDE03FTBL1, KUDE03FTWH1, KUDE03FTSS1  
(Black) (White) (Stainless)



FOR ORDERING INFORMATION REFER TO PARTS PRICE LIST

# PUMP, WASHARM AND MOTOR PARTS

For Models: KUDE03FTBL1, KUDE03FTWH1, KUDE03FTSS1  
 (Black) (White) (Stainless)

Illus. No.	Part No.	DESCRIPTION
1	8579241	Cover, Sieve
2	3400069	Screw
3	8579240	Cover, Outlet
4	W10134035	Sump With Seal (Includes Items 12, 13 and 2 Hose Clamps)
5	8579298	Retainer, Feed Tube
6	8579253	Screen
7	W10084508	Wash Arm Assembly
8	W10142911	Filter Cup, Assembly
9	8579311	Hose, Inlet (Includes 3 Hose Clamps)
10	W10164292	Motor & Sump Assy. (Includes Item 21)
11	8579272	Shield, Motor
12	3400072	Screw
13	8579289	Tab, Sump
14	W10158351	Pump, Drain
15	8269144	Hose, Drain
16	8579251	Disc-Valve Diverter
17	8579252	Motor, Diverter Valve (Includes Item 21)
18	356138	Hose Clamp
19	W10134016	Optical Water Indicator
20	9741232	Screw
21	W10083167	Fuse In-Line

FOR ORDERING INFORMATION REFER TO PARTS PRICE LIST



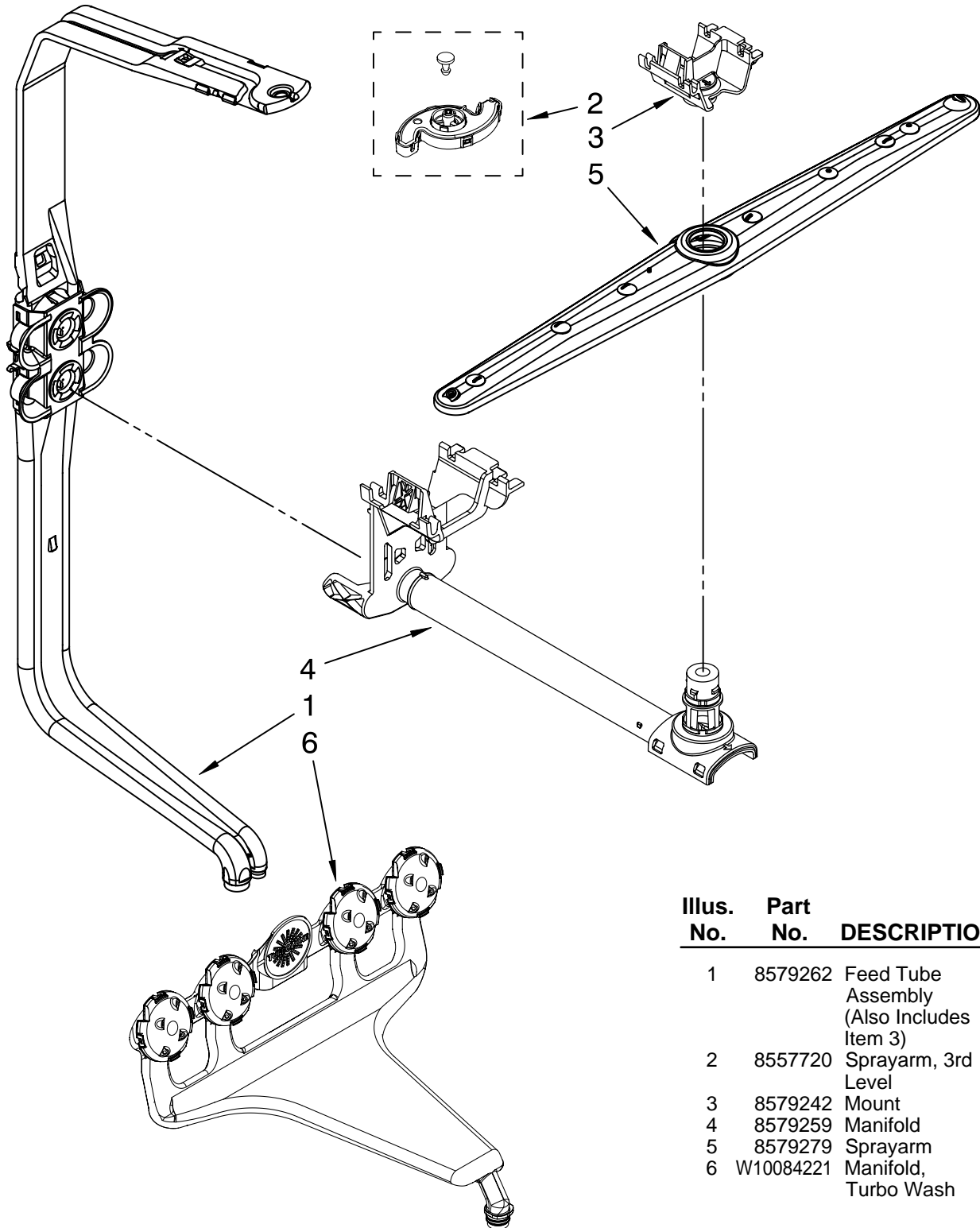
# UPPER WASH AND RINSE PARTS

For Models: KUDE03FTBL1, KUDE03FTWH1, KUDE03FTSS1

(Black)

(White)

(Stainless)



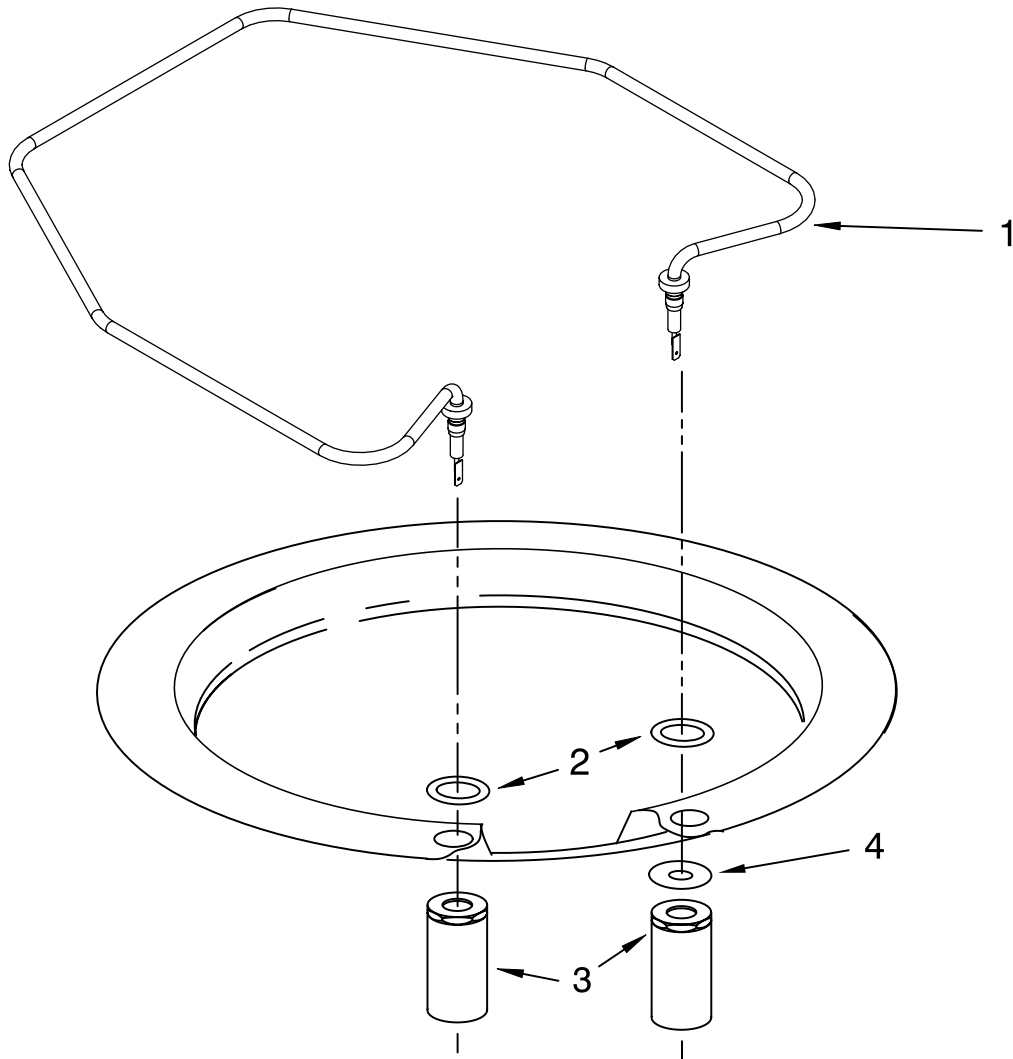
Illus. No.	Part No.	DESCRIPTION
------------	----------	-------------

- |   |           |  |
|---|-----------|--|
| 1 | 8579262   | Feed Tube Assembly<br>(Also Includes Item 3) |
| 2 | 8557720   | Sprayarm, 3rd Level                          |
| 3 | 8579242   | Mount  |
| 4 | 8579259   | Manifold                                     |
| 5 | 8579279   | Sprayarm                                     |
| 6 | W10084221 | Manifold, Turbo Wash                         |

FOR ORDERING INFORMATION REFER TO PARTS PRICE LIST

# HEATER PARTS

For Models: KUDE03FTBL1, KUDE03FTWH1, KUDE03FTSS1  
 (Black) (White) (Stainless)



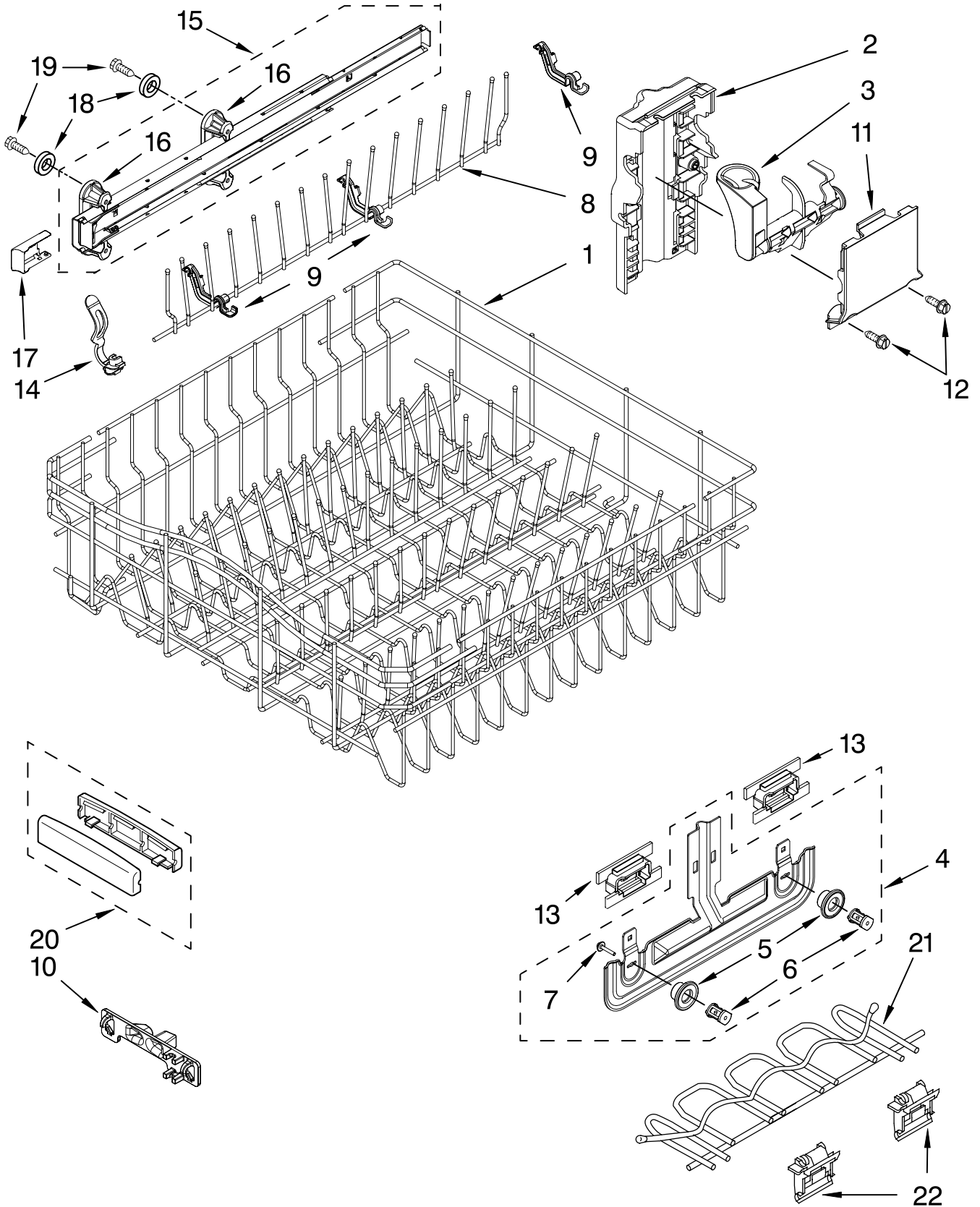
Illus. No.	Part No.	DESCRIPTION
1	8537057	Heater Element Assembly (Also Includes Item 2)
2	717273	Washer, Heater Element
3	8268548	Nut, Heater Element
4	3400931	Retainer, Spring Grip

**NOTE:** If heater element is removed, it must be replaced.

FOR ORDERING INFORMATION REFER TO PARTS PRICE LIST

# UPPER RACK AND TRACK PARTS

For Models: KUDE03FTBL1, KUDE03FTWH1, KUDE03FTSS1  
(Black) (White) (Stainless)



FOR ORDERING INFORMATION REFER TO PARTS PRICE LIST

# UPPER RACK AND TRACK PARTS

For Models: KUDE03FTBL1, KUDE03FTWH1, KUDE03FTSS1

(Black)

(White)

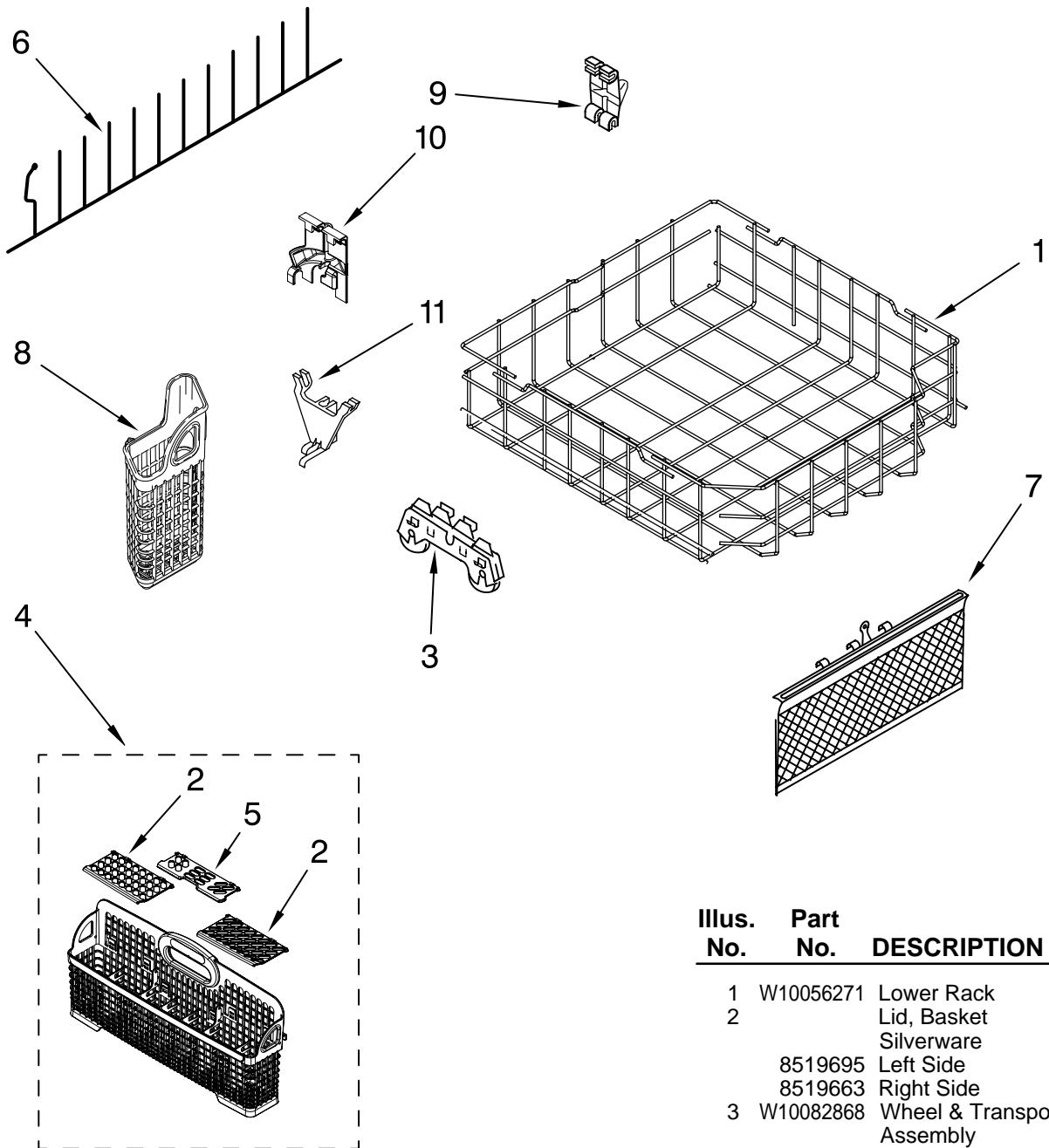
(Stainless)

Illus. No.	Part No.	DESCRIPTION
1	W10056270	Dishrack, Upper
2	W10082839	Housing, Adjuster
3		Actuator, Adjuster
	W10077838	Right Hand
	W10077839	Left Hand
4	8268653	Adjuster Assembly
5	8270138	Wheel
6	8268703	Axel, Adjuster
7	8281156	Screw
8	8562030	Tine Row
9	W10082853	Clip, Pivot
10	8539102	Positioner, Dual
11	W10082840	Cover, Adjuster
12	9741232	Retainer
13	W10082834	Positioner, Arm
14	W10077844	Clip, No-Flip
15		Track, Assembly
	W10077852	Right Hand
	W10077851	Left Hand (Also Order Item 18)
16	W10077876	Mount, Track (Also Order Item 18)
17		Stop, Track
	W10077848	Right
	W10077847	Left
18	9743002	Gasket, Bracket Mounting
19	3400072	Screw
20	8539110	Handle, Dishrack
21	8562029	Cupshelf
22	8562026	Clip, Cupshelf

FOR ORDERING INFORMATION REFER TO PARTS PRICE LIST

# LOWER RACK PARTS

For Models: KUDE03FTBL1, KUDE03FTWH1, KUDE03FTSS1  
 (Black) (White) (Stainless)

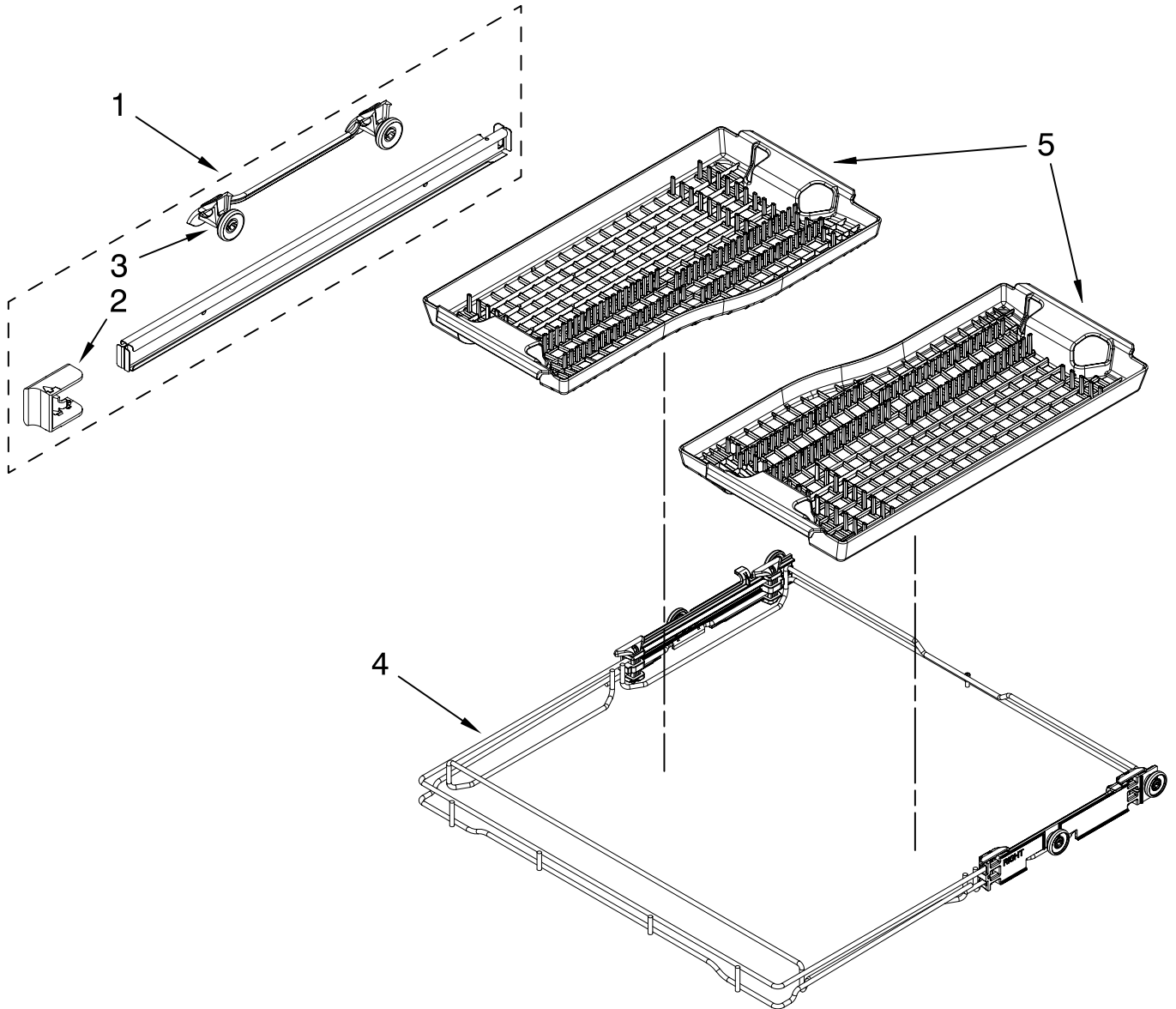


Illus. No.	Part No.	DESCRIPTION
1	W10056271	Lower Rack
2		Lid, Basket Silverware
	8519695	Left Side
	8519663	Right Side
3	W10082868	Wheel & Transport Assembly
4	W10190415	Basket, Silverware
5	8519662	Lid, Basket Center
6	W10056272	Tine, Row
7	8519716	Basket, Small Items
8	8519702	Basket, Utensil
9	8531314	Retainer, Tine Row
10	W10078215	Retainer, Tine Row (Combo)
11	W10078227	Pivot, Tine Row

FOR ORDERING INFORMATION REFER TO PARTS PRICE LIST

# THIRD LEVEL RACK AND TRACK PARTS

For Models: KUDE03FTBL1, KUDE03FTWH1, KUDE03FTSS1  
 (Black) (White) (Stainless)



Illus. No.	Part No.	DESCRIPTION
1	W10077855	Track Assembly Right
	W10077856	Track Assembly Left
2	W10077854	Stop, Track
3	8564899	Mount, Track
4	8564900	Rack Assembly (Third Level)
5	8564901	Basket-TLR

FOR ORDERING INFORMATION REFER TO PARTS PRICE LIST

