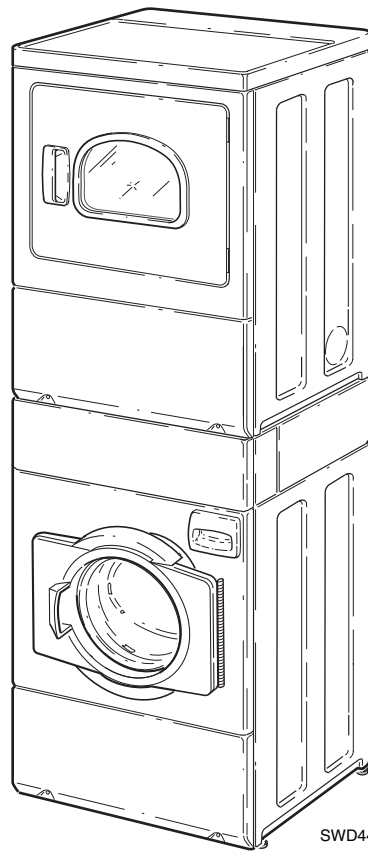


# Stacked Washer and Dryer

Electric Models



SWD444C

— Installation/Operation —

**Keep These Instructions for Future Reference.**

(If this machine changes ownership, this manual must accompany machine.)

  
**Alliance**  
Laundry Systems

[www.comlaundry.com](http://www.comlaundry.com)

Part No. 802031R2  
July 2005





## WARNING

**FOR YOUR SAFETY, the information in this manual must be followed to minimize the risk of fire or explosion or to prevent property damage, personal injury or death.**

W033

- **Do not store or use gasoline or other flammable vapors and liquids in the vicinity of this or any other appliance.**
- **Installation and service must be performed by a qualified installer or service agency.**

W257



# Table of Contents

<b>Replacement Parts</b> .....	5
<b>Safety Information</b> .....	7
Explanation of Safety Messages .....	7
Important Safety Instructions .....	7
<b>Installation</b> .....	11
Dimensions and Specifications .....	11
Before You Start .....	12
Tools .....	12
Water .....	12
Location .....	12
Exhaust .....	12
Electrical .....	12
Installing the Unit .....	13
Step 1: Position Unit Near Installation Area .....	13
Step 2: Connect Water Fill Hoses .....	13
Step 3: Connect Drain Hose to Drain Receptacle .....	14
Step 4: Connect Dryer Exhaust System .....	15
Step 5: Position and Level the Unit .....	16
Step 6: (Washer Only) Remove the Shock Sleeves and Shipping Brace .....	17
Step 7: (Dryer Only) Connect Electrical Cord .....	18
Step 8: Wipe Out Inside of Washer Drum and Dryer Drum .....	18
Step 9: Connect the Washer and Dryer to Electrical Power .....	19
Step 10: Check Installation .....	19
Moving Unit to a New Location .....	19
Heat Source Check .....	20
Electric Dryers .....	20
Electrical Requirements .....	20
Washer .....	20
Dryer .....	21
Water Supply Requirements .....	24
Water Temperature .....	24
Water Pressure .....	24
Risers .....	24
Location Requirements .....	25
Dryer Exhaust Requirements .....	26
Exhaust System Materials .....	26
Make-Up Air Requirements .....	27
Make-Up Air Dos and Don'ts .....	27
Exhaust Direction .....	27
Exhaust System .....	28
Exhaust System Maintenance .....	29
Dryer Airflow .....	29
Multi-Dryer Installation Exhaust Requirements .....	30
Lint Filter .....	32
Dryer Motor Overload Protector .....	32

© Copyright 2005, Alliance Laundry Systems LLC

All rights reserved. No part of the contents of this book may be reproduced or transmitted in any form or by any means without the expressed written consent of the publisher.

<b>Operation</b> .....	33
Operation Instructions for Washers.....	33
Step 1: Set Fabric Selector/Wash Temperature (°C).....	33
Step 2: Add Laundry Supplies.....	33
Step 3: Load Laundry.....	34
Step 4: Close Loading Door.....	34
Step 5: Determine Proper Controls for Washer.....	34
Step 6: Insert Coin(s) or Card.....	34
Step 7: Select Prewash if Desired.....	35
Step 8: Press Start.....	35
Indicator Lights.....	35
Operation Instructions for Dryers.....	36
Step 1: Clean Lint Filter.....	36
Step 2: Load Laundry.....	36
Step 3: Close Loading Door.....	36
Step 4: Determine Proper Controls for Dryer.....	37
Step 5: Set Fabric Selector.....	37
Step 6: Insert Coin(s) or Card.....	37
Step 7: Start Dryer.....	38
Step 8: Remove Laundry.....	38
<b>Maintenance</b> .....	39
User-Maintenance Instructions.....	39
Lubrication.....	39
Cold Weather Care.....	39
Vacations and Extended Non-Use.....	39
Care of Your Washer.....	39
Replacing Hoses.....	39
Care of Your Dryer.....	39
Filter Screens.....	39
Exhaust System.....	40
For Energy Conservation.....	40
Before You Call for Service.....	41
If Service Is Required.....	42
Information for Handy Reference.....	43
<b>Installer Checklist</b> .....	Back Cover

# Replacement Parts

If replacement parts are required, contact the source from which you purchased your unit or contact:

**Alliance Laundry Systems**  
**Shepard Street**  
**P.O. Box 990**  
**Ripon, WI 54971-0990**  
**U.S.A.**  
**Phone: +1 (920) 748-3950**

for the name and address of the nearest authorized parts distributor.








# Safety Information

## Explanation of Safety Messages

Throughout this manual and on machine decals, you will find precautionary statements (“DANGER,” “WARNING,” and “CAUTION”) followed by specific instructions. These precautions are intended for the personal safety of the operator, user, servicer, and those maintaining the machine.

	<b>DANGER</b>
<b>Indicates an imminently hazardous situation that, if not avoided, will cause severe personal injury or death.</b>	

	<b>WARNING</b>
<b>Indicates a hazardous situation that, if not avoided, could cause severe personal injury or death.</b>	

	<b>CAUTION</b>
<b>Indicates a hazardous situation that, if not avoided, may cause minor or moderate personal injury or property damage.</b>	


Additional precautionary statements (“IMPORTANT” and “NOTE”) are followed by specific instructions.

**IMPORTANT:** The word “IMPORTANT” is used to inform the reader of specific procedures where minor machine damage will occur if the procedure is not followed.

**NOTE:** The word “NOTE” is used to communicate installation, operation, maintenance or servicing information that is important but not hazard related.

## Important Safety Instructions

### Save These Instructions

	<b>WARNING</b>
<b>To reduce the risk of fire, electric shock, or injury to persons when using your stacked washer and dryer, follow these basic precautions.</b>	
<small>W287</small>	

1. Read all instructions before using the unit.
2. Refer to the EARTHING INSTRUCTIONS in the INSTALLATION manual for the proper earthing of the unit.
3. Do not wash or dry articles that have been previously cleaned in, washed in, soaked in, or spotted with gasoline, dry-cleaning solvents, or other flammable or explosive substances as they give off vapors that could ignite or explode.
4. Under certain conditions, hydrogen gas may be produced in a hot water system that has not been used for two weeks or more. HYDROGEN GAS IS EXPLOSIVE. If the hot water system has not been used for such a period, before using a washing machine or combination washer-dryer, turn on all hot water faucets and let the water flow from each for several minutes. This will release any accumulated hydrogen gas. The gas is flammable, do not smoke or use an open flame during this time.
5. Do not allow children to play on or in the unit. Close supervision of children is necessary when the unit is used near children. This is a safety rule for all appliances.
6. Before the unit is removed from service or discarded, remove the doors to the washing and drying compartments.
7. Do not reach into the washer or dryer if the cylinders are revolving.
8. Do not install or store the unit where it will be exposed to water and/or weather.

## Safety Information

9. Do not tamper with the controls.
10. Do not repair or replace any part of the unit, or attempt any servicing unless specifically recommended in the User-Maintenance instructions or in published user-repair instructions that you understand and have the skills to carry out.
11. Do not add gasoline, dry-cleaning solvents, or other flammable or explosive substances to the wash water. These substances give off vapors that could ignite or explode.
12. Do not use fabric softeners or products to eliminate static unless recommended by the manufacturer of the fabric softener or product.
13. To reduce the risk of an electric shock or fire, DO NOT use an adapter to connect the unit to the electrical power source.
14. To reduce the risk of fire, DO NOT DRY plastics or articles containing foam rubber or similarly textured rubberlike materials.
15. ALWAYS clean the lint filter after every load. A layer of lint in the filter reduces drying efficiency and prolongs drying time.
16. Keep area around the exhaust opening and adjacent surrounding area free from the accumulation of lint, dust and dirt.
17. The interior of the dryer and the exhaust duct should be cleaned periodically by qualified service personnel.
18. Washer and dryer will not operate with the loading door open. DO NOT bypass the door safety switches by permitting the washer or dryer to operate with the doors open. The washer and dryer will stop tumbling when the doors are opened. Do not use the washer or dryer if they do not stop tumbling when the doors are opened or start tumbling without pressing the START mechanisms. Remove the unit from use and call the service person.
19. Do not put articles soiled with vegetable or cooking oil in the washer or dryer. Due to the oil, the fabric may catch on fire by itself.
20. To reduce the risk of fire, DO NOT put clothes which have traces of any flammable substances such as machine oil, flammable chemicals, thinner, etc., or anything containing wax or chemicals such as in mops and cleaning cloths, or anything dry-cleaned at home with a dry-cleaning solvent in the dryer.
21. Use your washer only for its intended purpose, washing clothes.
22. Use the dryer only for its intended purpose, drying clothes.
23. Always disconnect the electrical power to the washer and dryer before attempting service to either unit. Disconnect the power cords by grasping the plug, not the cord.
24. If the supply cord is damaged, it must be replaced by a special cord or assembly available from the manufacturer or its service agent.
25. Install this unit according to the **INSTALLATION INSTRUCTIONS**. All connections for electrical power and earthing must comply with local codes and be made by licensed personnel when required. Do not do it yourself unless you know how!
26. Keep your unit in good condition. Bumping or dropping the unit can damage safety features. If this occurs, have your unit checked by a qualified service person.
27. Remove laundry immediately after the dryer stops.
28. Always read and follow manufacturer's instructions on packages of laundry and cleaning aids. Heed all warnings or precautions. To reduce the risk of poisoning or chemical burns, keep them out of reach of children at all times (preferably in a locked cabinet).
29. Do not tumble fiberglass curtains and draperies unless the label says it can be done. If they are dried, wipe out the cylinder with a damp cloth to remove particles of fiberglass.
30. Be sure water connections have a shut-off valve and that fill hose connections are tight. **CLOSE** the shut-off valves at the end of each wash day.

31. ALWAYS follow the fabric care instructions supplied by the garment manufacturer.
32. Never operate the unit with any guards and/or panels removed.
33. DO NOT operate the unit with missing or broken parts.
34. DO NOT bypass any safety devices.
35. Failure to install, maintain, and/or operate this machine according to the manufacturer's instructions may result in conditions which can produce bodily injury and/or property damage.
36. Do not operate washer and dryer if the units have been separated.

**IMPORTANT: Solvent vapors from dry-cleaning machines create acids when drawn through the heater of the drying unit. These acids are corrosive to the dryer as well as to the laundry load being dried. Be sure make-up air is free of solvent vapors.**

**IMPORTANT: Have your unit installed properly. Don't do it yourself unless you know how!**

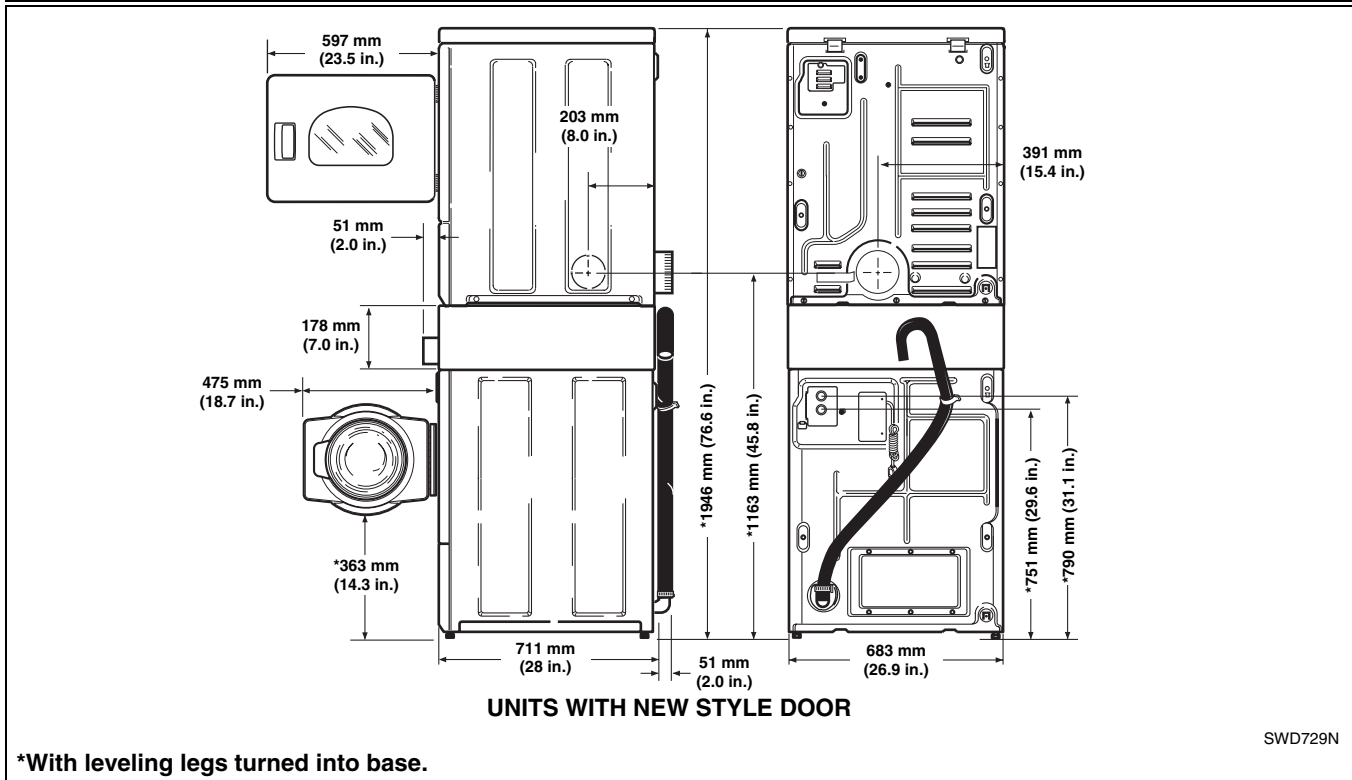
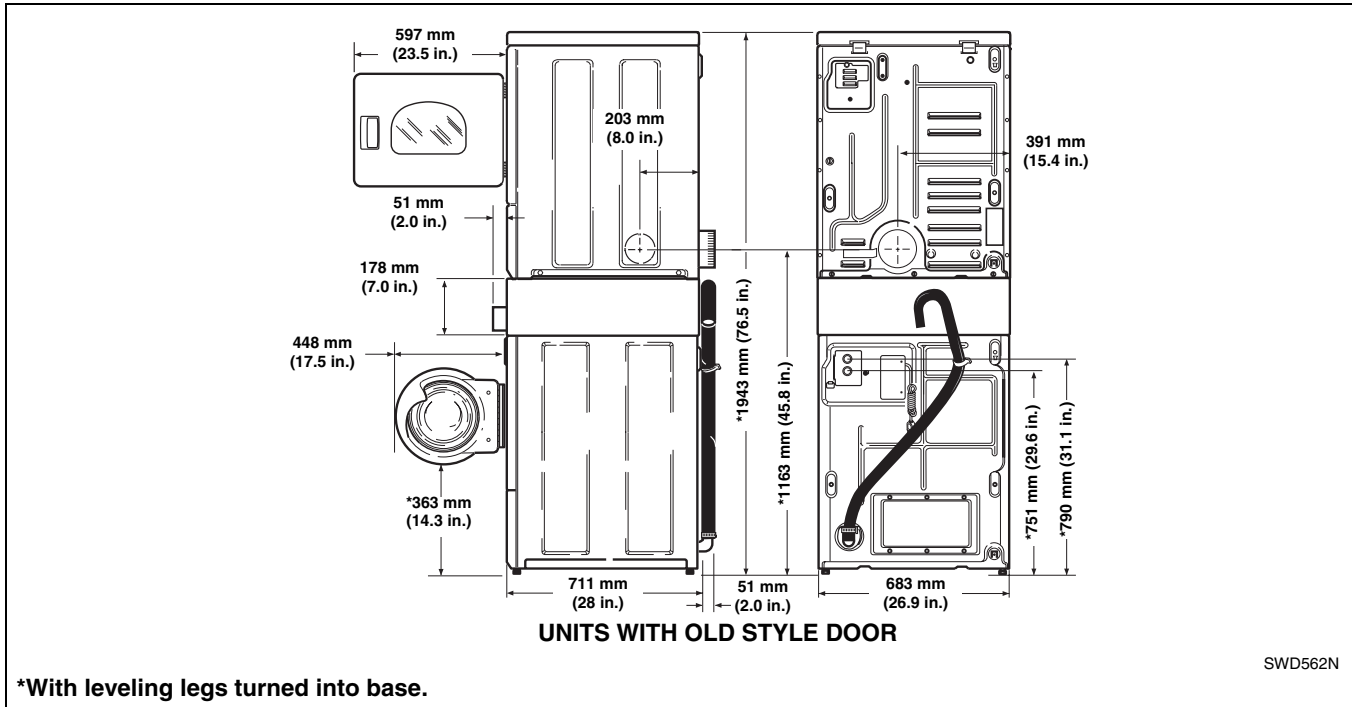
**NOTE: The WARNING and IMPORTANT SAFETY INSTRUCTIONS appearing in this manual are not meant to cover all possible conditions and situations that may occur. Common sense, caution and care must be exercised when installing, maintaining, or operating this unit.**

Always contact your dealer, distributor, service agent or the manufacturer about any problems or conditions you do not understand.



# Installation

## Dimensions and Specifications



**NOTE:** Side and rear exhaust openings are 102 mm (4 inch) ducting.

**IMPORTANT:** The dryer should have sufficient clearance around it for needed ventilation and for the ease of installation and servicing. For maximum drying performance, we recommend that more clearance be allowed around the dryer than the clearances that are listed throughout this manual.

## Installation

### Before You Start

#### Tools

For most installations, the basic tools you will need are:

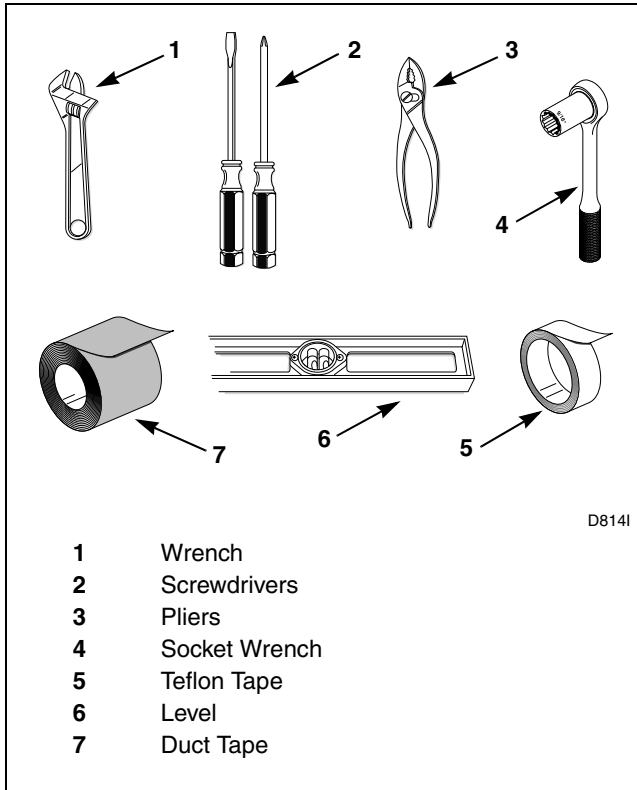


Figure 1

#### Water

Washer needs two standard 19.1 mm (3/4 inch) water supply faucets with a pressure between 138 and 827 kPa (20 to 120 pounds per square inch). For more detailed information, refer to section on **Water Supply Requirements**.

#### Location

Place the unit on a solid floor with an adequate air supply. For more detailed information, refer to section on **Location Requirements**.

#### Exhaust

Use rigid metal duct and exhaust the dryer to the outside by the shortest route possible.

**NOTE: For more detailed information, refer to section on *Dryer Exhaust Requirements*.**

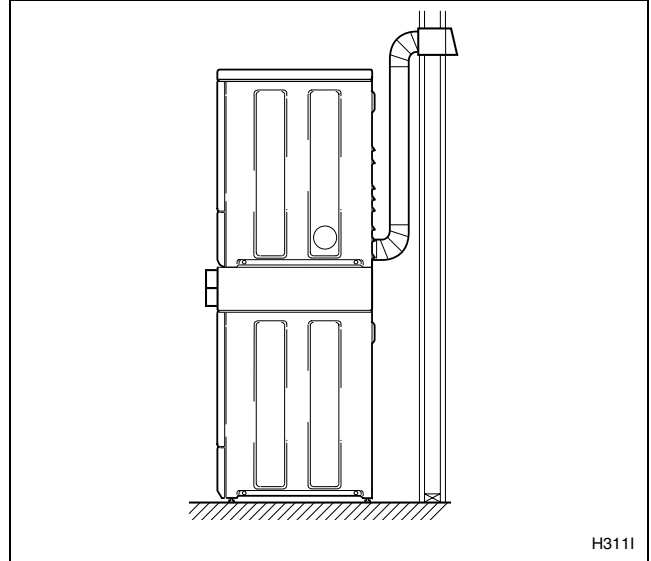


Figure 2

#### Electrical

- **WASHER**  
Refer to serial plate for specific electrical requirements. For more detailed information, refer to section on **Washer Electrical Requirements**.

- **DRYER**  
Refer to serial plate for specific electrical requirements.


Dryer needs a 2 wire plus earthing, 230 Volt, 60 Hertz, 30 Amp, single-phase electrical supply. For more detailed information, refer to section on **Dryer Electrical Requirements**.

## Installing the Unit

### Step 1: Position Unit Near Installation Area

**NOTE:** If the unit is delivered on a cold day (below freezing), or is stored in an unheated room or area during the cold months, do not attempt to operate it until the washer has had a chance to warm up.

Move unit so that it is within 1.2 meters (4 feet) of the desired area of installation.

	<b>CAUTION</b>
<b>Washer and dryer are not designed to be operated as separated, side-by-side units.</b>	
<small>W187</small>	

**NOTE:** For best performance and to minimize vibration or movement, install unit on a solid, sturdy and level floor. Some floors may need to be reinforced, especially on a second floor or over a basement. **DO NOT** install the unit on carpeting, soft tile, pedestal, a platform or other weakly supported structures.



Figure 3

### Step 2: Connect Water Fill Hoses

**NOTE:** Refer to section on *Water Supply Requirements* before connecting water fill hoses.

The appliance is to be connected to the water mains using new hose-sets and old hose-sets should not be reused.

Turn on the water supply faucets and flush the lines for approximately two minutes to remove any foreign materials that could clog the screens in the water mixing valve.

**NOTE:** When installing in newly constructed or renovated building, it is very important to flush the lines since build-up may have occurred during construction.

Remove the two filter screens and the two plain rubber washers from the accessories bag.

Insert each filter screen into the end of each fill hose that will connect to the water supply faucet. The screen must be facing outward. Refer to *Figure 4*.

Insert each plain rubber washer into the other end of each fill hose that will connect to the water mixing valve at the rear of the washer. Refer to *Figure 4*.

Connect fill hoses to water supply faucets. Then connect the hoses to the hot and cold valve connections at the rear of the washer. For hoses with metric couplings, connect black hose coupling to water supply faucet. Connect brass hose coupling to water mixing valve connection at rear of washer.

**IMPORTANT:** Thread hose couplings onto valve connections finger-tight, then approximately 1/4 turn with pliers. **DO NOT** cross thread or overtighten couplings.

Turn water on and check for leaks. If leaks are found, retighten the hose couplings. Continue tightening and rechecking until no leaks are found.

## Installation

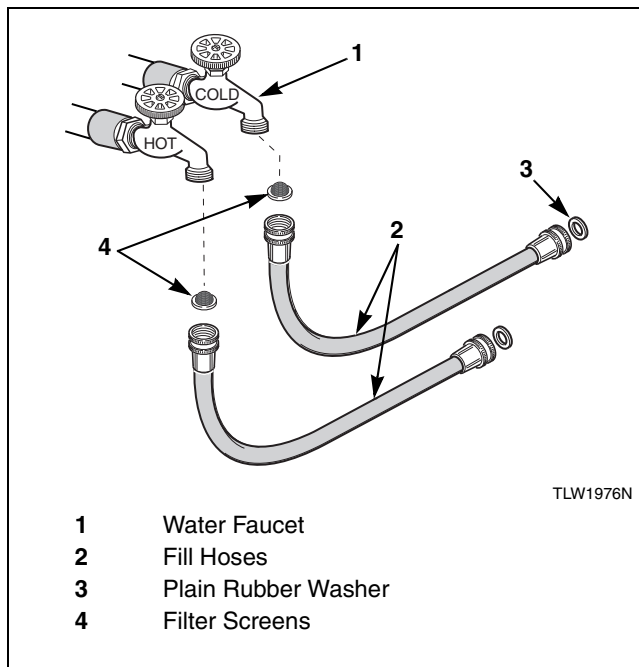


Figure 4

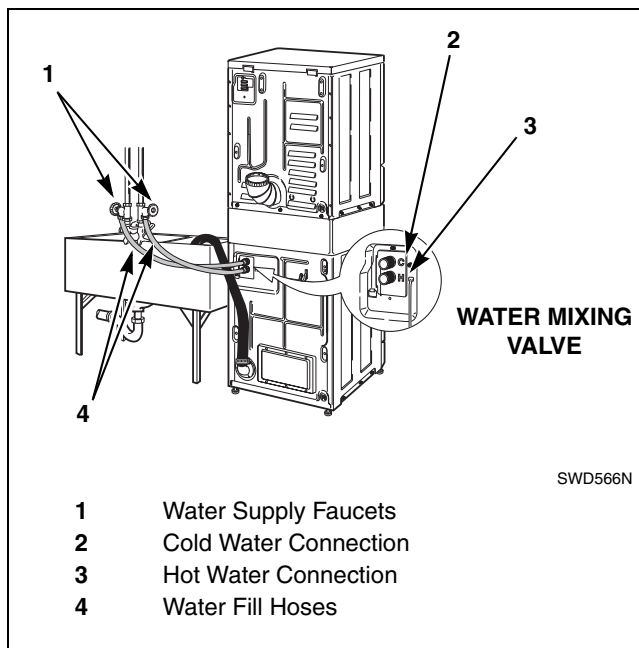


Figure 5

**IMPORTANT: Hoses and other natural rubber parts deteriorate after extended use. Hoses may develop cracks, blisters or material wear from the temperature and constant high pressure they are subjected to.**

**All hoses should be checked on a yearly basis for any visible signs of deterioration. Any hose showing the signs of deterioration listed above should be replaced immediately. All hoses should be replaced every five years.**

## Step 3: Connect Drain Hose to Drain Receptacle

Remove the drain hose from its shipping position on the rear of the washer by removing the shipping tape.

**IMPORTANT: Drain receptacle must be capable of handling a minimum of 32 mm (1-1/4 inch) outside diameter drain hose.**

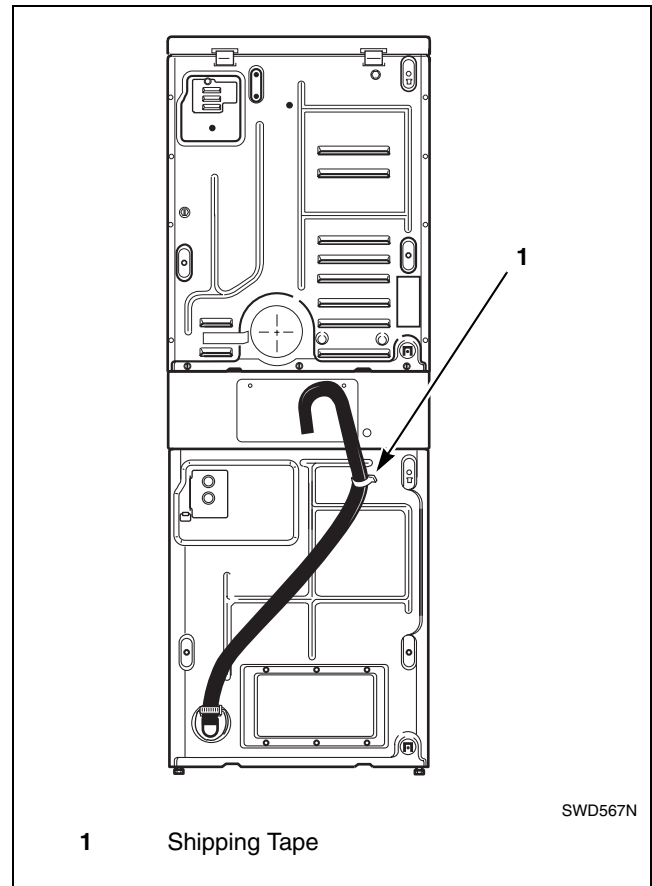


Figure 6



### Standpipe Installation

Place the drain hose into the standpipe.

Remove the beaded tie-down strap from accessories bag and place around standpipe and drain hose and tighten strap to hold hose to standpipe. This will prevent the drain hose from dislodging from drain receptacle during use.

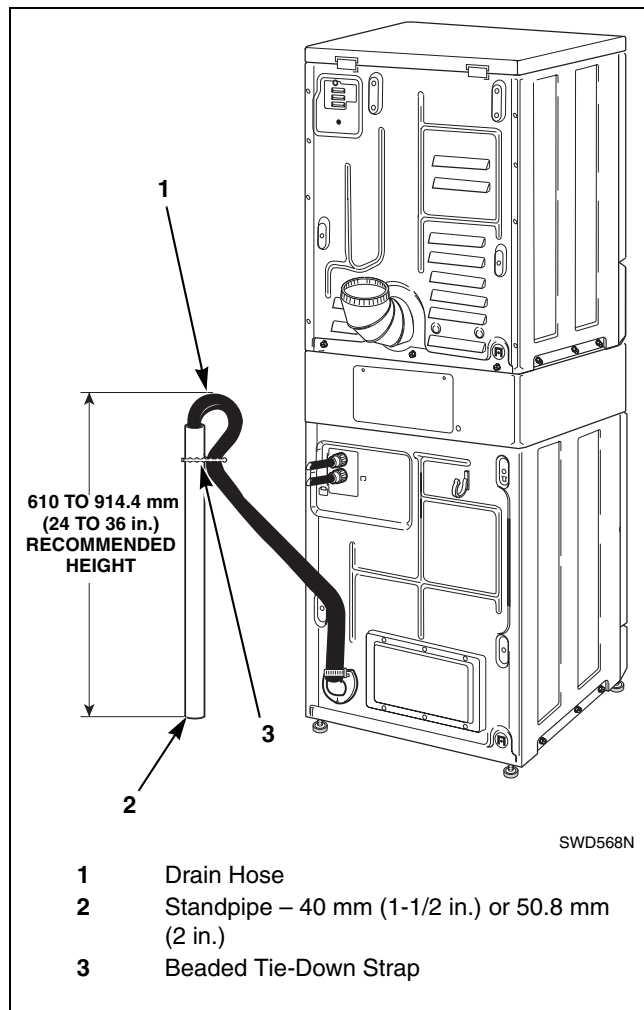



Figure 7

### Step 4: Connect Dryer Exhaust System

For further assistance, refer to sections on *Location Requirements* and *Dryer Exhaust Requirements*.



WARNING

**A clothes dryer produces combustible lint. To reduce the risk of fire and combustion gas accumulation the dryer **MUST** be exhausted to the outdoors.**

W116

- DO NOT use plastic or thin foil ducting.
- Locate unit so exhaust duct is as short as possible.
- Be certain old ducts are cleaned before installing your new dryer.
- Use 102 mm (4 inch) diameter rigid or flexible metal duct.
- The male end of each section of duct must point away from the dryer.
- Use as few elbows as possible.
- Use duct tape or pop-rivets on all duct joints.
- Ductwork that runs through unheated areas must be insulated to help reduce condensation and lint build-up on pipe walls.
- Install backdraft dampers in multi-dryer installations.
- **Failure to exhaust dryer properly will void warranty.**

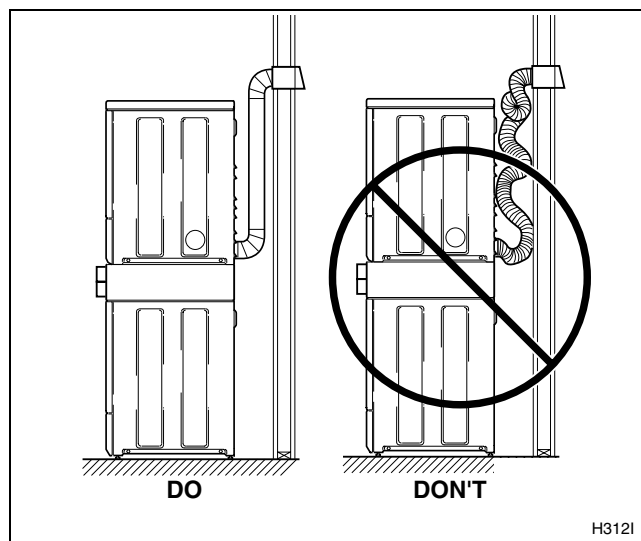



Figure 8

**NOTE: Venting materials are not supplied with the unit (obtain locally).**

## Installation

### Step 5: Position and Level the Unit

	<b>WARNING</b>
<p><b>Units elevated above floor level must be anchored to that elevated surface, base or platform. The material used to elevate the unit should also be anchored to the floor to ensure that the unit will not walk or that the unit can not be physically pulled, tipped or slid from its installed position. Failure to do so may result in conditions which can produce serious injury, death and/or property damage.</b></p>	
<small>W307</small>	

Place unit in position on a solid, sturdy and level floor. Installing the unit on any type of carpeting, soft tile, pedestal, a platform or weakly supported structures is not recommended.

Loosen 7/8 inch locknut and adjust the front and rear leveling legs until the unit is level from side to side and front to back (using a level). Unit should not rock.

**NOTE: Level must rest on raised portion of top panel. Refer to *Figure 9*.**

**Tighten the locknuts securely against the unit base** using the 7/8 inch wrench. If the locknuts are not tight, unit will move out of position during operation.

**NOTE: DO NOT slide unit more than four feet across floor if the leveling legs have been extended, as legs and base could become damaged.**

**NOTE: Use of the dispenser drawer or washer or dryer doors as handles in the transportation of the unit may cause damage to the dispenser or doors.**

Remove rubber feet from accessories bag and place on all four leveling legs.

Verify that unit does not rock.

**NOTE: For further assistance, refer to section on *Location Requirements*.**

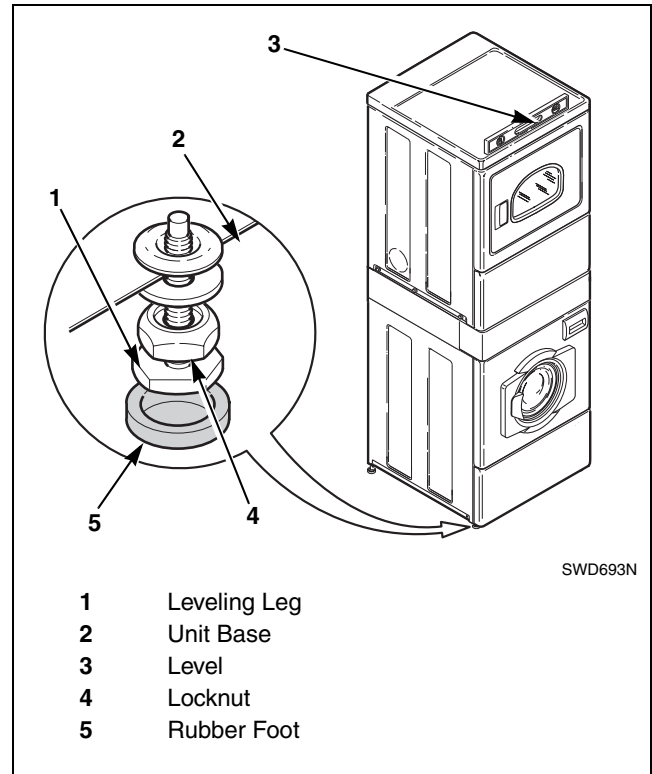


Figure 9

### Step 6: (Washer Only) Remove the Shock Sleeves and Shipping Brace

Remove front access panel by removing the two screws.

Remove bolts and lockwashers from shipping brace with a wrench and remove brace. Remove shock sleeves by pulling on the yellow rope.

Remove label from front side of front access panel and place on backside of front access panel.

**NOTE: The shipping brace, bolts, lockwashers and shock sleeves should be saved and MUST be reinstalled whenever the unit is moved more than four feet. Do not lift or transport unit from front or without shipping materials installed.**

Store the shipping materials in the bag provided in the accessories bag. Save materials for use whenever the unit is moved.

**NOTE: The shipping materials MUST be reinstalled whenever the unit is moved. Refer to *Moving Unit to a New Location* section for proper instructions on reinstalling the shipping materials.**

Reinstall front access panel.

**IMPORTANT: DO NOT tip unit more than 152.4 mm (6 inches) in any direction after shipping brace has been removed. Shock absorbers may separate and damage to unit may result. For leveling purposes, the unit may be tilted a maximum of 152.4 mm (6 inches) in any direction.**

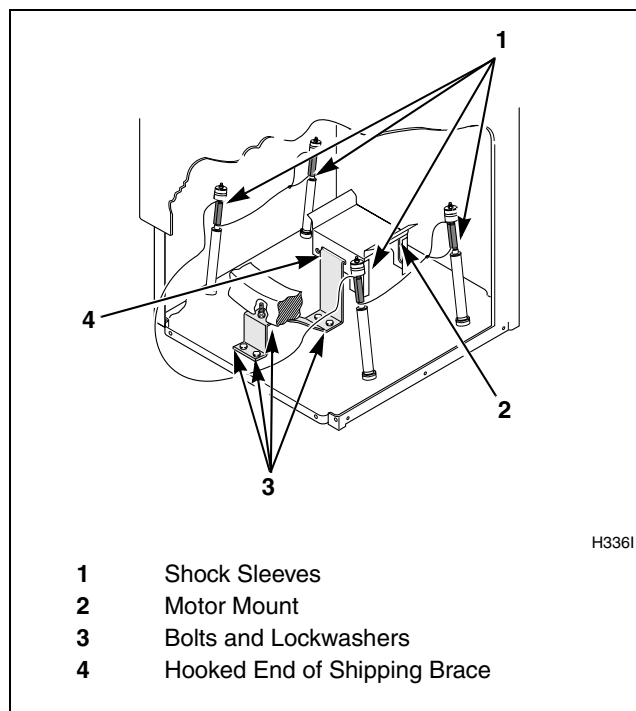


Figure 10

## Installation

### Step 7: (Dryer Only) Connect Electrical Cord

230 Volt/60 Hertz

Refer to section on *Electrical Requirements*.

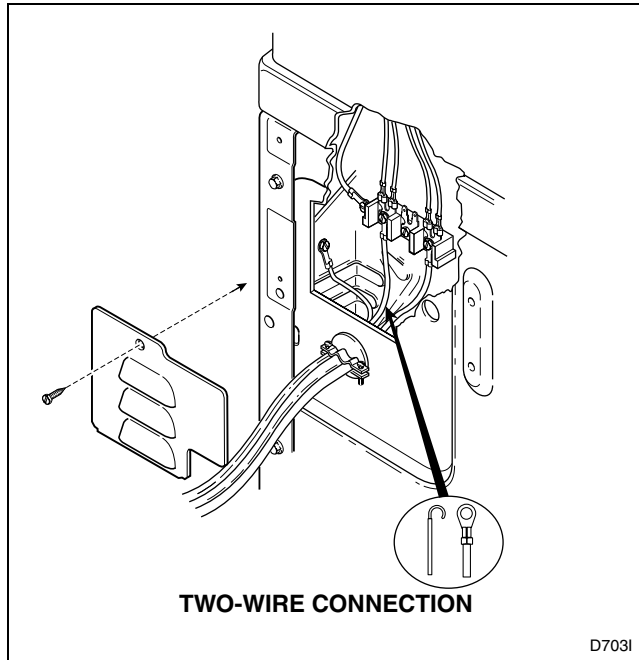


Figure 11

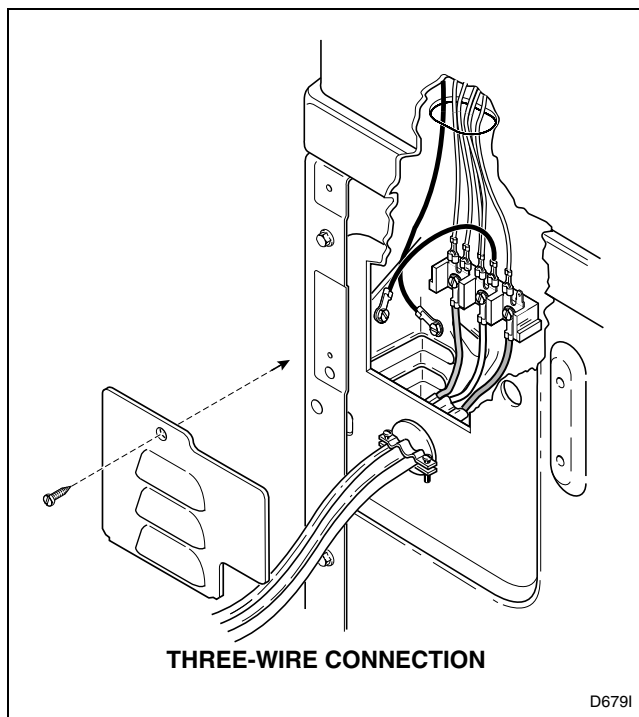


Figure 12

**NOTE: Unit is shown with access cover removed for illustration purposes only. NEVER operate unit with access cover removed.**

### Step 8: Wipe Out Inside of Washer Drum and Dryer Drum

Before using the washer and dryer for the first time, use an all-purpose cleaner, or a detergent and water solution, and a damp cloth to remove shipping dust from inside the drums.

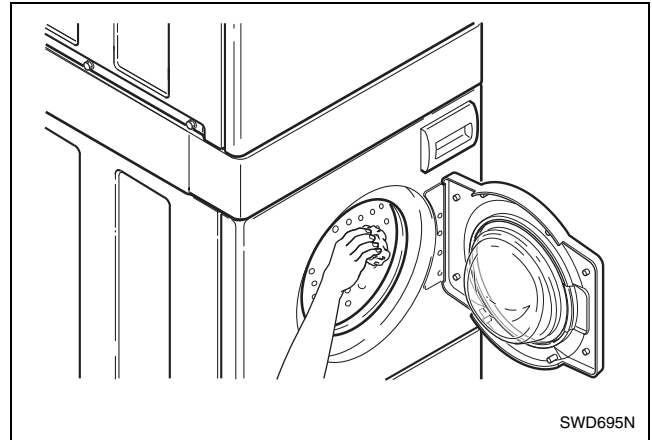


Figure 13

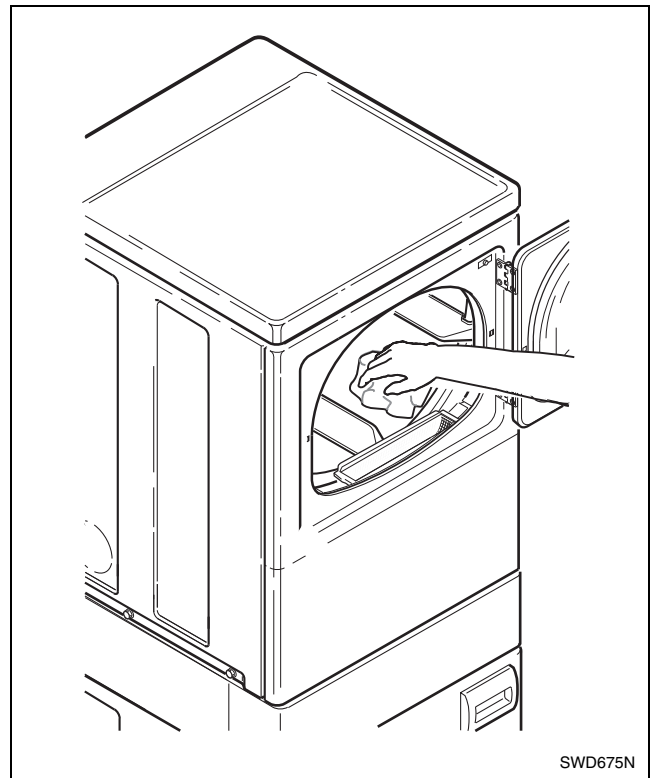


Figure 14

### Step 9: Connect the Washer and Dryer to Electrical Power

Refer to sections on *Electrical Requirements* and connect the washer and dryer to an electrical power source that can support requirements found on serial plate.

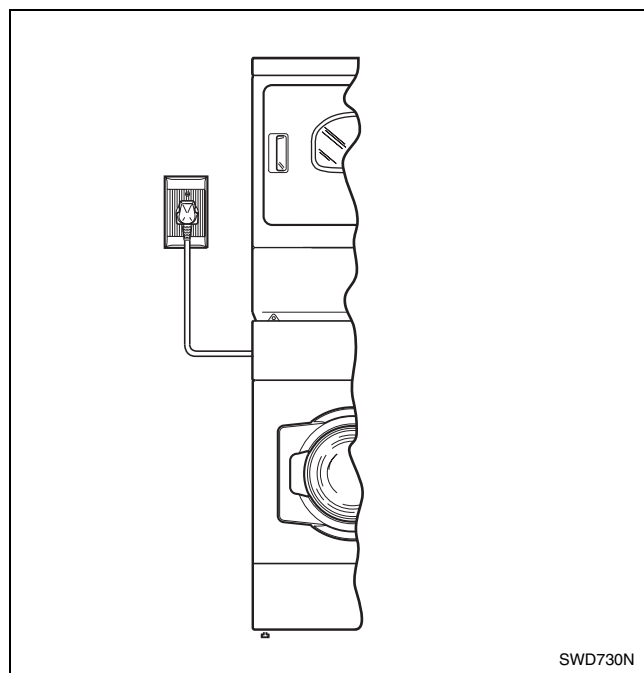


Figure 15

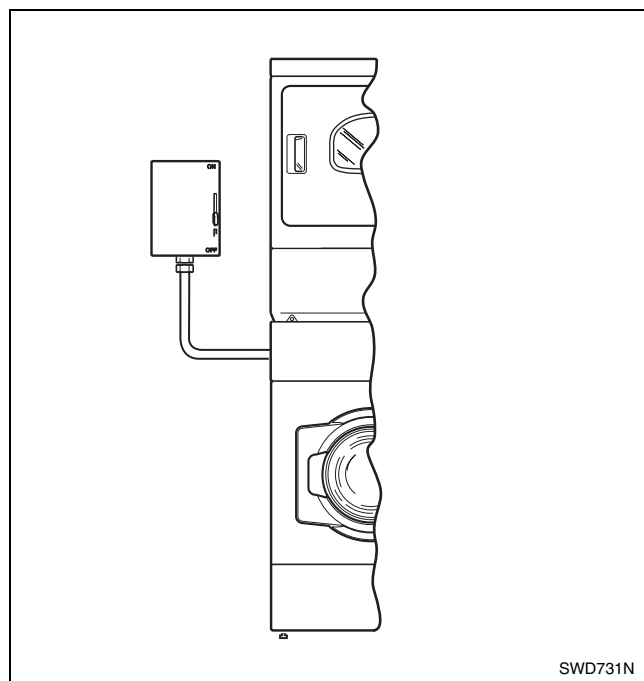


Figure 16

### Step 10: Check Installation

Refer to *Installer Checklist* on the back cover and make sure that unit is installed correctly.

### Moving Unit to a New Location

To prevent damage while moving the unit, the shipping materials **MUST BE** reinstalled.

#### Reinstallation of Shipping Materials

Disconnect unit from electrical supply.

Remove front access panel by removing two screws.

Place the shock sleeves on all four shock absorbers. Refer to *Figure 17*.

Insert hooked end of shipping brace into the open slot of the motor mount. Attach with bolts and lockwashers. Refer to *Figure 17*.

Reinstall front access panel.

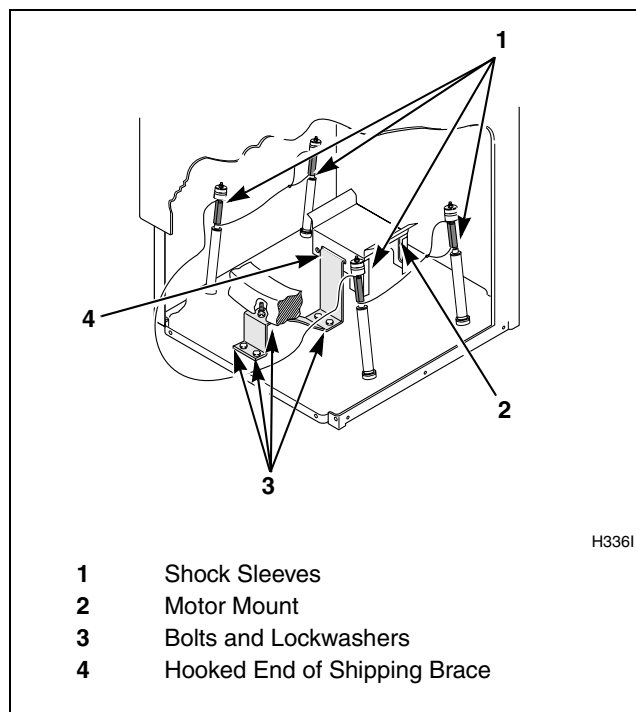


Figure 17

Refer to step 6 for proper procedures whenever the unit is moved.

## Installation

### Heat Source Check

#### Electric Dryers

Close the loading door and start the dryer in a heat setting (refer to *Operation* section). After the dryer has operated for three minutes, the exhaust air or exhaust pipe should be warm.


### Electrical Requirements


#### Washer

(230 Volt, 60 Hertz)

**NOTE:** The wiring diagram is located in the control cabinet.

**IMPORTANT:** Do not operate other appliances on the same circuit when this appliance is operating. Do not overload circuits.

	<b>WARNING</b>
<p>To reduce the risk of fire, electric shock, serious injury or death, all wiring and earthing <b>MUST</b> abide with local electrical codes. It is the customer's responsibility to have the wiring and fuses installed by a qualified electrician to make sure adequate electrical power is available to the washer.</p>	
<small>W509</small>	

	<b>WARNING</b>
<p>To reduce the risk of an electric shock or fire, <b>DO NOT</b> use an extension cord or an adapter to connect the washer to the electric power source.</p>	
<small>W082</small>	

The washer is designed to be operated on a separate polarized three-wire, earthed 230 Volt, 60 Hertz, 30 Amp, single-phase electrical circuit and must abide by local electrical codes.

#### To install power cord (obtain locally):

1. Remove electrical access panel on rear of machine.
2. Remove plastic plug from hole in rear of machine.
3. Install strain relief, supplied with machine, in hole.
4. Put power cord through hole.
5. Attach power cord wires as shown in *Figure 18*.
6. Replace access panel.

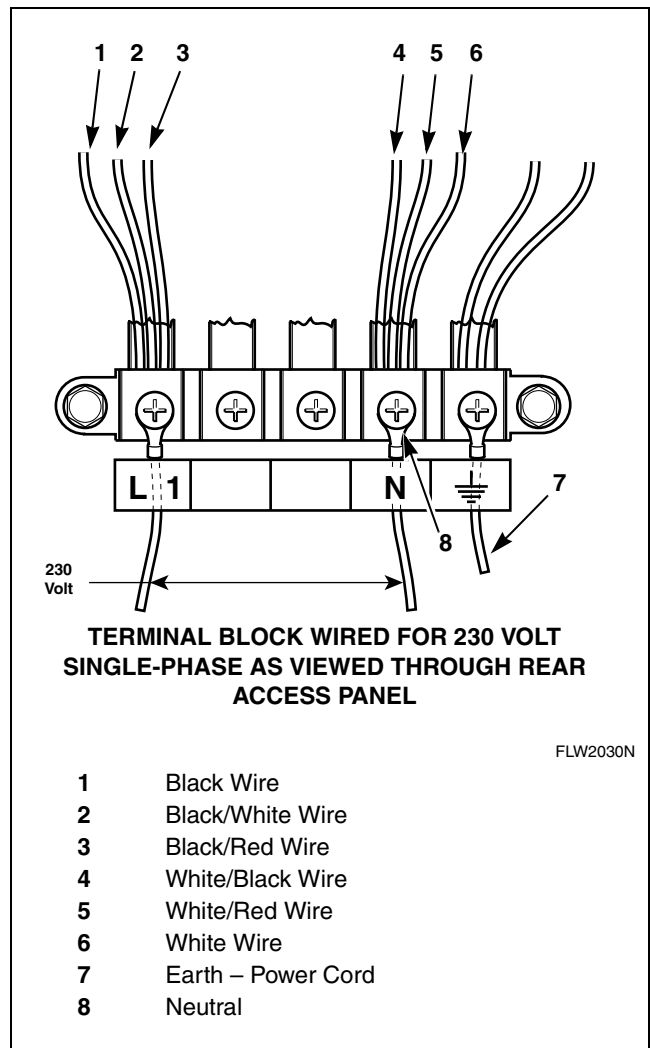



Figure 18

### Earthing Instructions


The washer must be earthed. In the event of malfunction or breakdown, earthing will reduce the risk of electric shock by providing a path of least resistance for electric current. The washer must be properly earthed in accordance with all local codes and ordinances.

If the laundry room's electrical supply does not meet the above specifications and/or if you are not sure the laundry room has an effective earth, have a qualified electrician or your local electrical utility company check it and correct any problems.

	<b>WARNING</b>
<p><b>Improper connection of the equipment-earthing conductor can result in a risk of electric shock. Check with a qualified electrician or service person if you are in doubt as to whether the washer is properly earthed.</b></p>	
W032	

### Dryer

#### 230 Volt, 60 Hertz, 2 Wire Plus Grounded (Earth) Wire Installation

	<b>WARNING</b>
<p><b>To reduce the risk of fire, electric shock, serious injury or death, the electrical installation should conform to the National Electrical Code, ANSI/NFPA 70, and such local regulations as might apply.</b></p>	
W155	

**NOTE:** The wiring diagram is located inside the control hood.

This dryer is designed to be operated on a two-wire plus grounded (earth) wire, 230 Volt, 60 Hertz, single-phase supply circuit. It is designed to be fused at 30 Amperes. Consult nameplate for model and electrical ratings.

**NOTE:** Branch circuit wire size requirements to laundry room dryer outlet.

Wire Length	Electric Dryer
Less than 4.5 m (15 ft.)	10 A.W.G. Copper Wire Only
Longer than 4.5 m (15 ft.)	8 A.W.G. Copper Wire Only

Use U.L. (Underwriters Laboratories) listed wire. Allow sufficient slack in wiring so dryer can be moved from its normal location when necessary.

1. Remove the screw and terminal block access cover from the rear of dryer cabinet.
2. Insert ends of direct wire through power supply hole (containing proper strain relief) in rear of dryer cabinet. Connect the power cord, or direct wiring, **to the two outer terminal block terminals** using the two wire-binding (10 - 32 x 3/8 inch) screws from the accessories pack in the envelope shipped inside the dryer cylinder.
3. Attach ground (earth) wire to rear bulkhead as shown.

## Installation

**IMPORTANT:** Use only a U.L. listed No. 10 (copper wire only) two conductor power supply cord kit rated 230 Volts (minimum) 30 Amperes for electric dryers, and labeled as suitable for use in a clothes dryer.

4. Tighten these wire-binding screws firmly.

**IMPORTANT:** Failure to tighten these screws firmly may result in wire failure at the terminal block.

5. Secure the strain relief to the power cord, or wires, where they enter the dryer cabinet.
6. Reinstall access cover and screw.

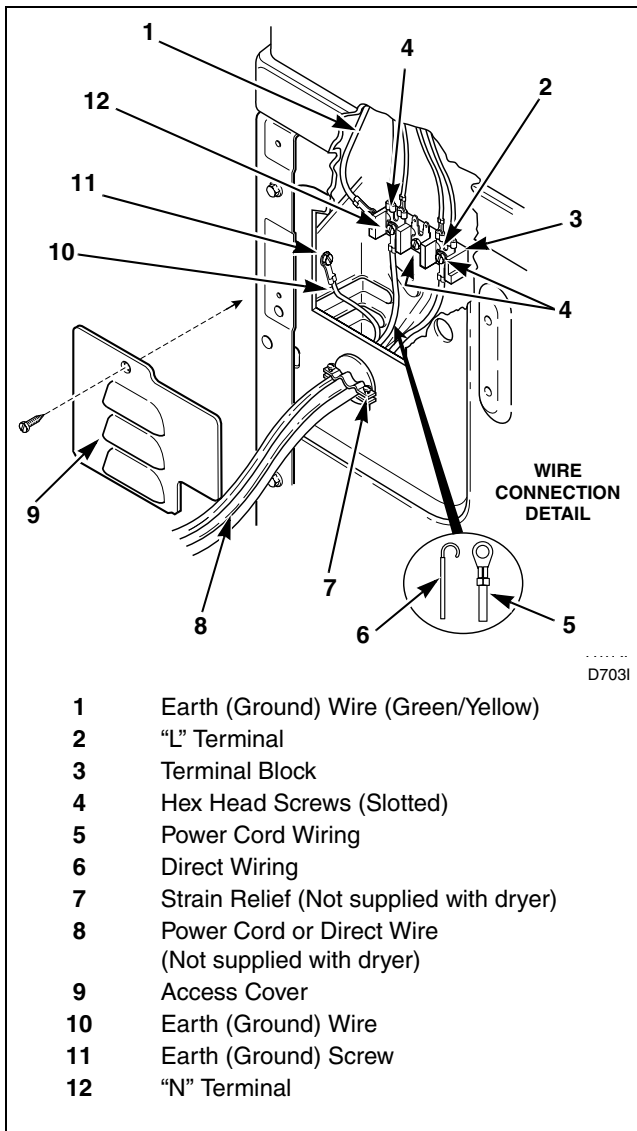


Figure 19

!

**WARNING**

**Dryer is shown with the access cover removed for illustration purposes only. To reduce the risk of an electric shock, serious injury or death, NEVER operate the dryer with the access cover removed.**

W157

!

**WARNING**

**To reduce the risk of electric shock, serious injury or death, earth (ground) the dryer frame externally by connecting one end of a grounding wire under ground screw on cabinet rear (see above) and the other end to a known effective ground.**

W156

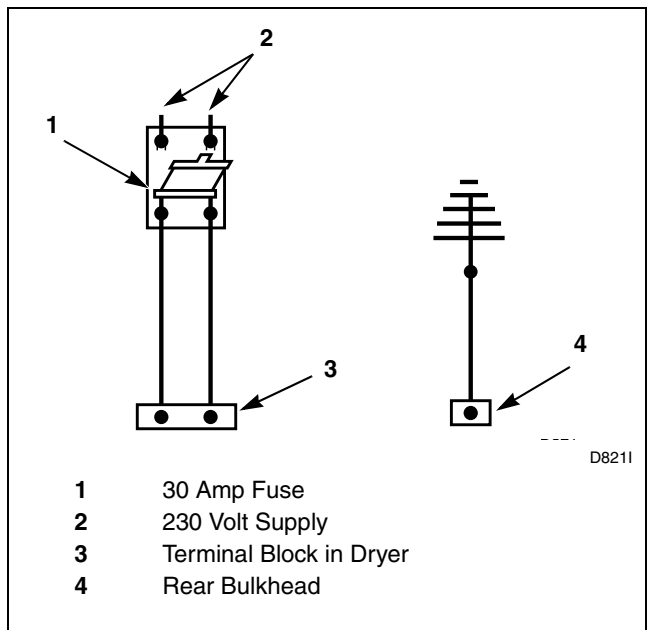


Figure 20

!

**WARNING**

**To reduce the risk of fire, electric shock, serious injury or death, all wiring and grounding MUST conform with the latest edition of the National Electrical Code, ANSI/NFPA 70, or the Canadian Electrical Code, CSA C22.1, and such local regulations as might apply. It is the customer's responsibility to have the wiring and fuses installed by a qualified electrician to make sure adequate electrical power is available to the dryer.**

W512



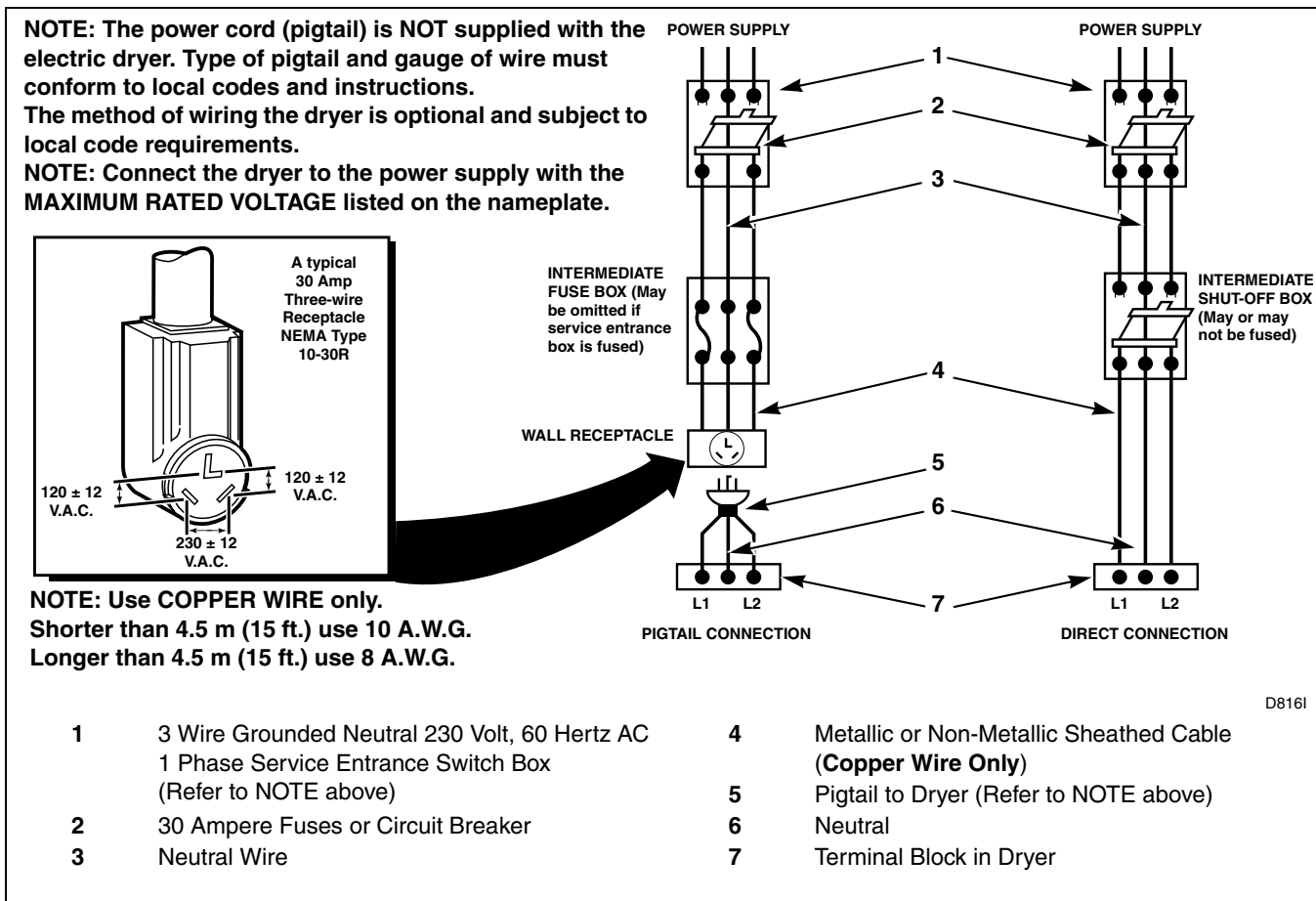


Figure 21

**Earthing Instructions**

This dryer must be connected to an earthed metal, permanent wiring system; or an equipment-earthing conductor must be run with the circuit conductors and connected to the equipment-earthing terminal or lead on the dryer.

1. Remove access cover from rear of dryer.
2. Use a strain relief and insert end of power cord through power supply hole.
3. Use the three screws from the envelope located in the cylinder to attach the power cord wires to the terminal block.
4. Tighten all screws and reinstall access cover removed in step 1.

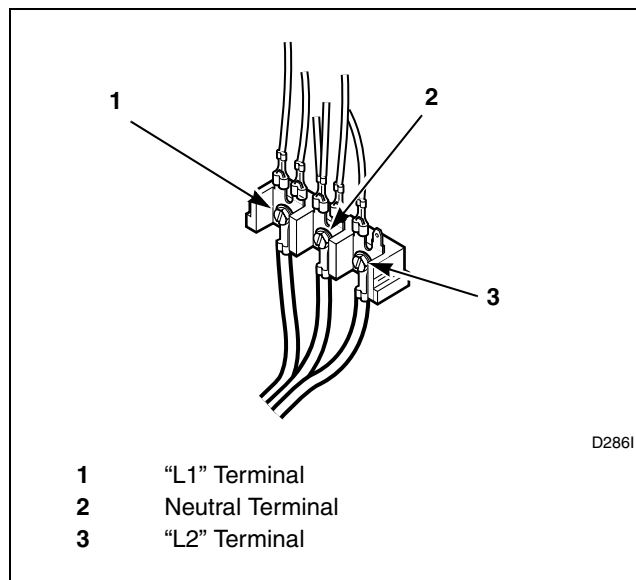


Figure 22

## Water Supply Requirements

	<b>WARNING</b>
<p>Under certain conditions, hydrogen gas may be produced in a hot water system that has not been used for two weeks or more. <b>HYDROGEN GAS IS EXPLOSIVE.</b> If the hot water system has not been used for such a period and before using the washer, turn on all hot water faucets and let the water flow from each for several minutes. This will release any accumulated hydrogen gas. The gas is flammable. Do not smoke or use an open flame during this time.</p>	
W029	

**NOTE:** Water supply faucets must fit standard 19.1 mm (3/4 inch) female garden hose couplings. **DO NOT USE SLIP-ON OR CLAMP-ON CONNECTIONS.**

**NOTE:** Water supply faucets should be readily accessible to permit turning them off when washer is not being used.

### Water Temperature

#### Cold:

Recommended cold water temperature is 16° to 27° Celsius (60° to 80° Fahrenheit).

#### Hot:

Recommended hot water temperature is 49° to 60° Celsius (120° to 140° Fahrenheit).

#### Warm:

Mixture of hot and cold water (warm water temperature is dependent upon the water temperature and the pressure of both the hot and cold water supply lines).

**IMPORTANT:** Turn off water supply faucets after check-out and demonstration. Owner should turn off water supply whenever there will be an extended period of non-use.

**NOTE:** Longer fill hoses are available (as optional equipment at extra cost) if the hoses (supplied with the washer) are not long enough for the installation. Order hoses as follows:

- No. 37380 Fill Hose (2.44 m) (8 feet)
- No. 37381 Fill Hose (3.05 m) (10 feet)

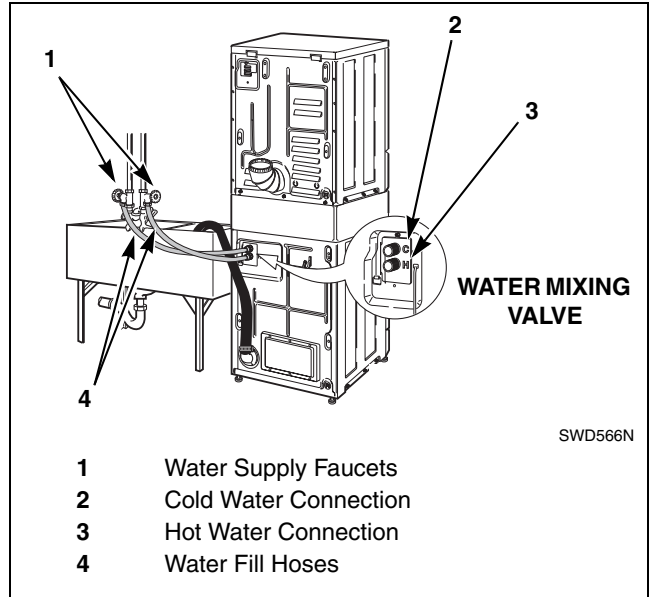


Figure 23

### Water Pressure

Pressure must be a minimum of 138 to a maximum of 827 kPa (20 to 120 pounds per square inch) static pressure measured at the faucet.

**NOTE:** Water pressure under 138 kPa (20 pounds per square inch) will cause an extended fill time in the washer and may not properly flush out the detergent dispenser.

### Risers

Risers (or air cushions) may have to be installed if the pipes knock or pound when flow of water stops. The risers are more efficient when installed as close as possible to the water supply faucets (refer to Figure 24).

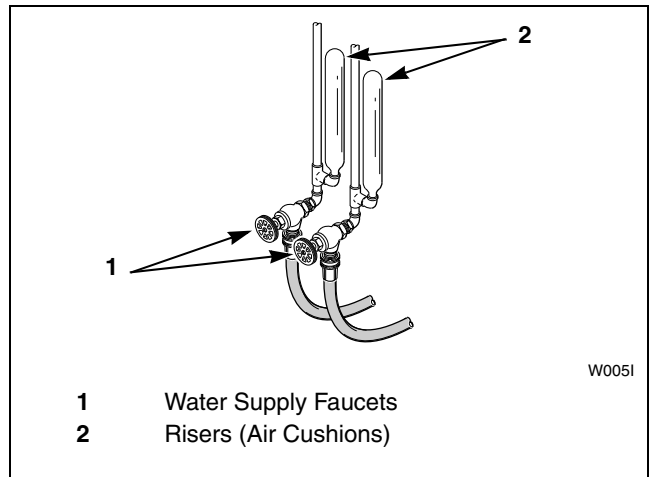


Figure 24

### Location Requirements

Select a location with a solid, sturdy and level floor. Do not install unit on carpeting, soft tile, pedestal, a platform or other weakly supported structures.

The unit must not be installed or stored in an area where it will be exposed to water and/or weather.

Leveling legs can be adjusted from inside the unit with a 7/8 inch deep well socket. All four legs must rest firmly on the floor so the weight of the unit is evenly distributed. The unit must not rock and must be level from side-to-side and front-to-back.

**IMPORTANT: Unless completely assembled, DO NOT slide the unit across the floor. DO NOT slide the unit more than four feet once the leveling legs have been extended, as the legs and the base could become damaged.**

The unit needs sufficient clearance and an adequate air supply for proper operation and ventilation, and for easier installation and servicing. (Minimum clearances are shown in *Figure 25*.)

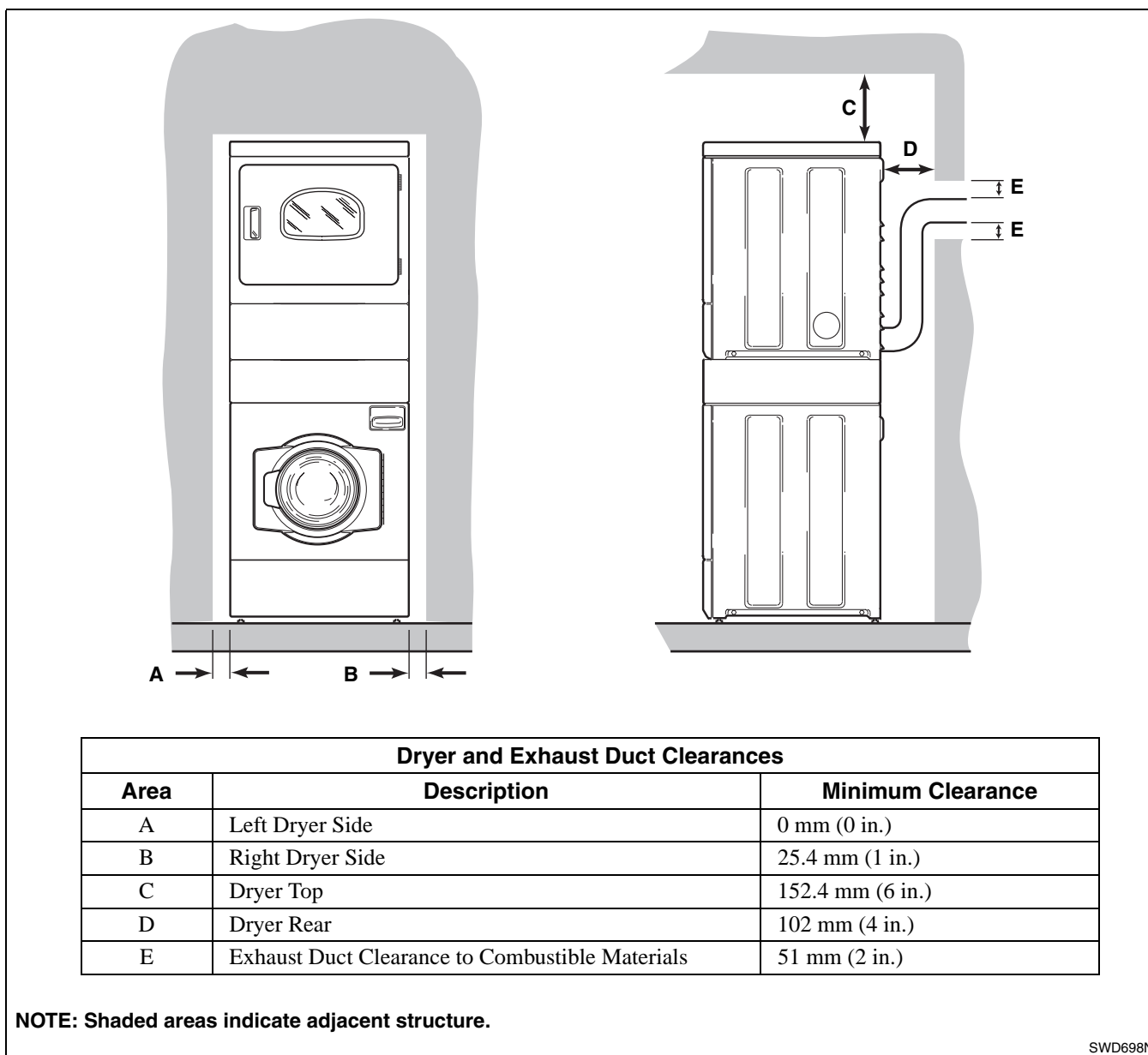



Figure 25

SWD698N

## Dryer Exhaust Requirements

	<b>WARNING</b>
<p><b>A clothes dryer produces combustible lint. To reduce the risk of fire and combustion gas accumulation the dryer MUST be exhausted to the outdoors.</b></p> <p style="text-align: right;">W116</p>	
<p><b>To reduce the risk of fire and the accumulation of combustion gases, DO NOT exhaust dryer air into a window well, gas vent, chimney or enclosed, unventilated area, such as an attic, wall, ceiling, crawl space under a building or concealed space of a building.</b></p> <p style="text-align: right;">W045</p>	
<p><b>To reduce the risk of fire, DO NOT use plastic or thin foil ducting to exhaust the dryer.</b></p> <p style="text-align: right;">W354</p>	

### Exhaust System Materials

Exhaust system materials are not supplied with the unit.

Exhaust duct must be 102 mm (4 inches) in diameter having no obstructions. Rigid metal duct is recommended. Non-combustible flexible metal duct is acceptable. **Do not use** plastic or thin foil ducting, because it contributes to poor drying performance and collects lint, which can lead to a fire hazard.

Never install flexible duct in concealed spaces, such as a wall or ceiling.

DO NOT use sheet metal screws on exhaust pipe joints or other fastening means which extend into the duct that could catch lint and reduce the efficiency of the exhaust system. Secure all duct joints with duct tape or pop-rivets.

Description	Kit Part No.	May Be Obtained Locally
Exhaust Duct 102 mm (4 in.) Dia.	Not Available	Yes
Flexible Metal Duct 102 mm (4 in.) Dia.	521P3	Yes
Weather Hoods, with hinged dampers 102 mm (4 in.)	Not Available	Yes
Directional Exhaust Kit	528P3	No
Tape	Not Available	Yes

**NOTE: Kits described above are optional exhaust system materials available at extra cost.**

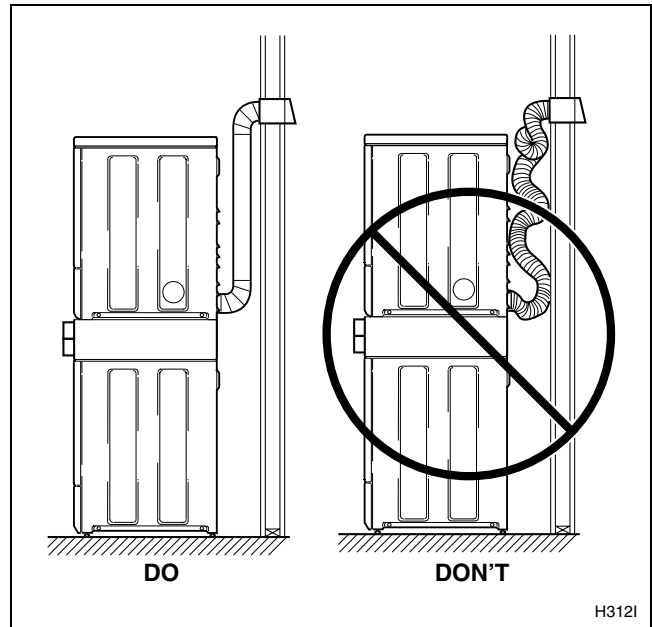


Figure 26

## Make-Up Air Requirements

It is important that the laundry room has adequate make-up air for the unit(s). A dryer exhausts 180 cfm (measured at back of the unit) and sufficient make-up air must be supplied to replace the air exhaust by the unit.

## Make-Up Air Dos and Don'ts

### Do

- Supply adequate air for ventilating air and drying air.

**NOTE: Each dryer pocket must have 260 cm<sup>2</sup> (40 square inches) of unobstructed flow of make-up air for proper operation.**

- Energy efficient buildings with low air infiltration rates should be equipped with an air exchanger that can accommodate on demand make-up air needs in the laundry room. These devices can be obtained through your building contractor or building material suppliers.

### Don't

- Draw make-up air from a room containing a gas fired water heater.
- Draw make-up air from a room containing a dry cleaner or a hair salon.

## Exhaust Direction

The dryer can be exhausted to the outdoors through the back, left, right or bottom of the unit.

Unit is shipped from factory ready for rear exhaust; **no kits required.**

Exhausting the unit through sides or bottom can be accomplished by installing Directional Exhaust Kit 528P3, available as optional equipment at extra cost.

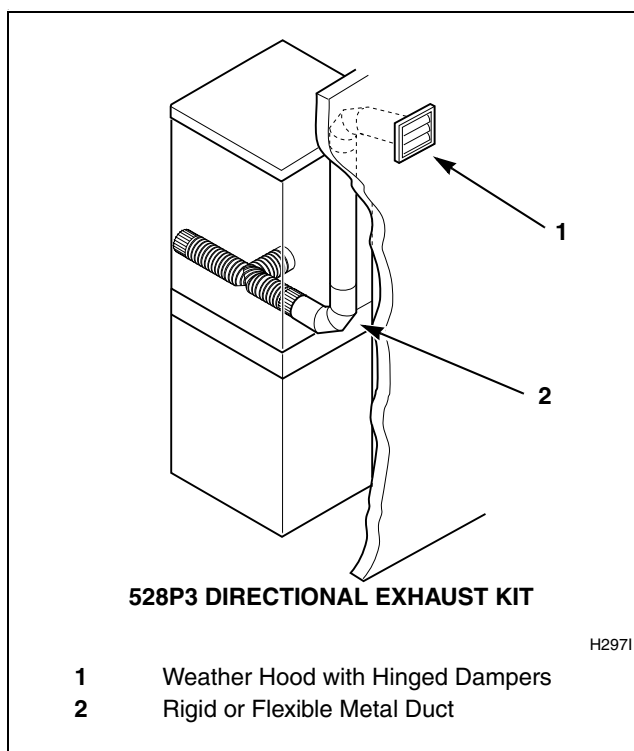


Figure 27

## Installation

### Exhaust System

**IMPORTANT:** Keep exhaust duct as short as possible.

**NOTE:** Be certain old ducts are cleaned before installing your new unit.

For best drying results, recommended maximum length of exhaust system is shown in *Table 1*.

To prevent backdraft when unit is not in operation, outer end of exhaust pipe must have a weather hood with hinged dampers (obtain locally).

**NOTE:** Weather hood should be installed at least 305 mm (12 inches) above the ground. Larger clearances may be necessary in areas where heavy snowfall can occur.

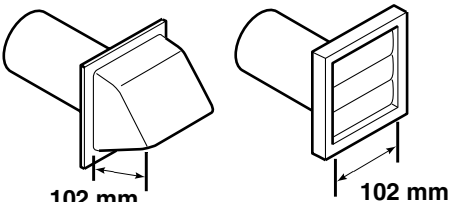
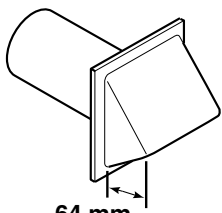

Number of 90° Elbows	Weather Hood Type	
	Recommended	Use Only for Short Run Installations
	 <p>102 mm (4 in.)</p> <p>102 mm (4 in.)</p> <p>D673I</p>	 <p>64 mm (2-1/2 in.)</p> <p>D802I</p>
<b>Maximum length of 102 mm (4 in.) diameter rigid metal duct</b>		
0	19.8 m (65 ft.)	16.8 m (55 ft.)
1	16.8 m (55 ft.)	14.3 m (47 ft.)
2	14.3 m (47 ft.)	12.5 m (41 ft.)
3	11.0 m (36 ft.)	9.1 m (30 ft.)
4	8.5 m (28 ft.)	6.7 m (22 ft.)
<b>Maximum length of 102 mm (4 in.) diameter flexible metal duct</b>		
0	13.7 m (45 ft.)	10.7 m (35 ft.)
1	10.7 m (35 ft.)	8.2 m (27 ft.)
2	9.1 m (30 ft.)	6.4 m (21 ft.)
3	7.6 m (25 ft.)	5.2 m (17 ft.)
4	6.1 m (20 ft.)	4.5 m (15 ft.)
<b>NOTE: Deduct 1.8 m (6 ft.) for each additional elbow.</b>		

Table 1

### Exhaust System Maintenance

The dryer interior and the complete exhaust system should be inspected after one year of use and cleaned if necessary. Inspect and clean exhaust duct every one to two years as required thereafter. The weather hood should be checked frequently to make sure the dampers move freely, dampers are not pushed in and that nothing has been set against them. This maintenance work should be done by a qualified service person.

	<b>WARNING</b>
<b>To reduce the risk of electric shock, disconnect the electrical service to the unit before cleaning.</b>	
<small>W476</small>	

Exhausting the unit in hard-to-reach locations can be accomplished by installing the 521P3 Flexible Metal Vent Kit, available as optional equipment at extra cost. The kit comes in two halves that can be separately attached to the unit, the wall outlet and to each other. Once attached, the unit can be slid back into position.

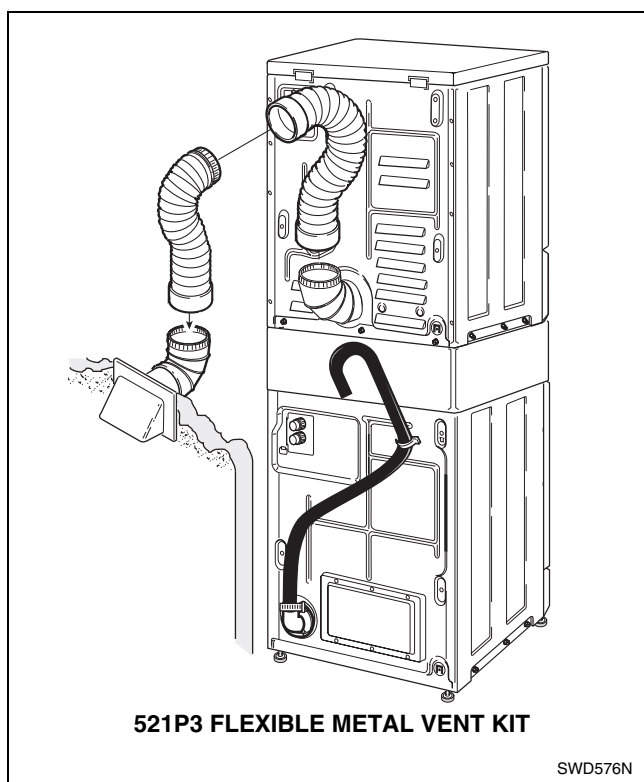


Figure 28

### Dryer Airflow

Efficient dryer operation requires proper dryer airflow. Proper dryer airflow can be evaluated by measuring the static pressure.

Static pressure in the unit's exhaust duct should be no greater than that shown in *Figure 29*. (Check with dryer running and no load.)

**NOTE: This can be measured with a manometer placed on the exhaust duct approximately 610 mm (2 feet) from the unit. Refer to *Figure 29*.**

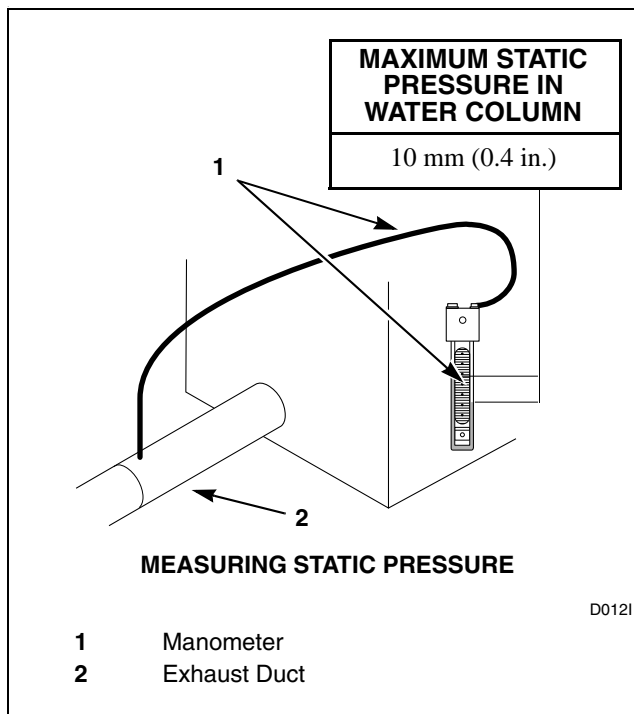


Figure 29

## Multi-Dryer Installation Exhaust Requirements

Figure 30 shows a typical example of a multiple unit installation. Note how each unit has its own exhaust system vented to the central exhaust duct.

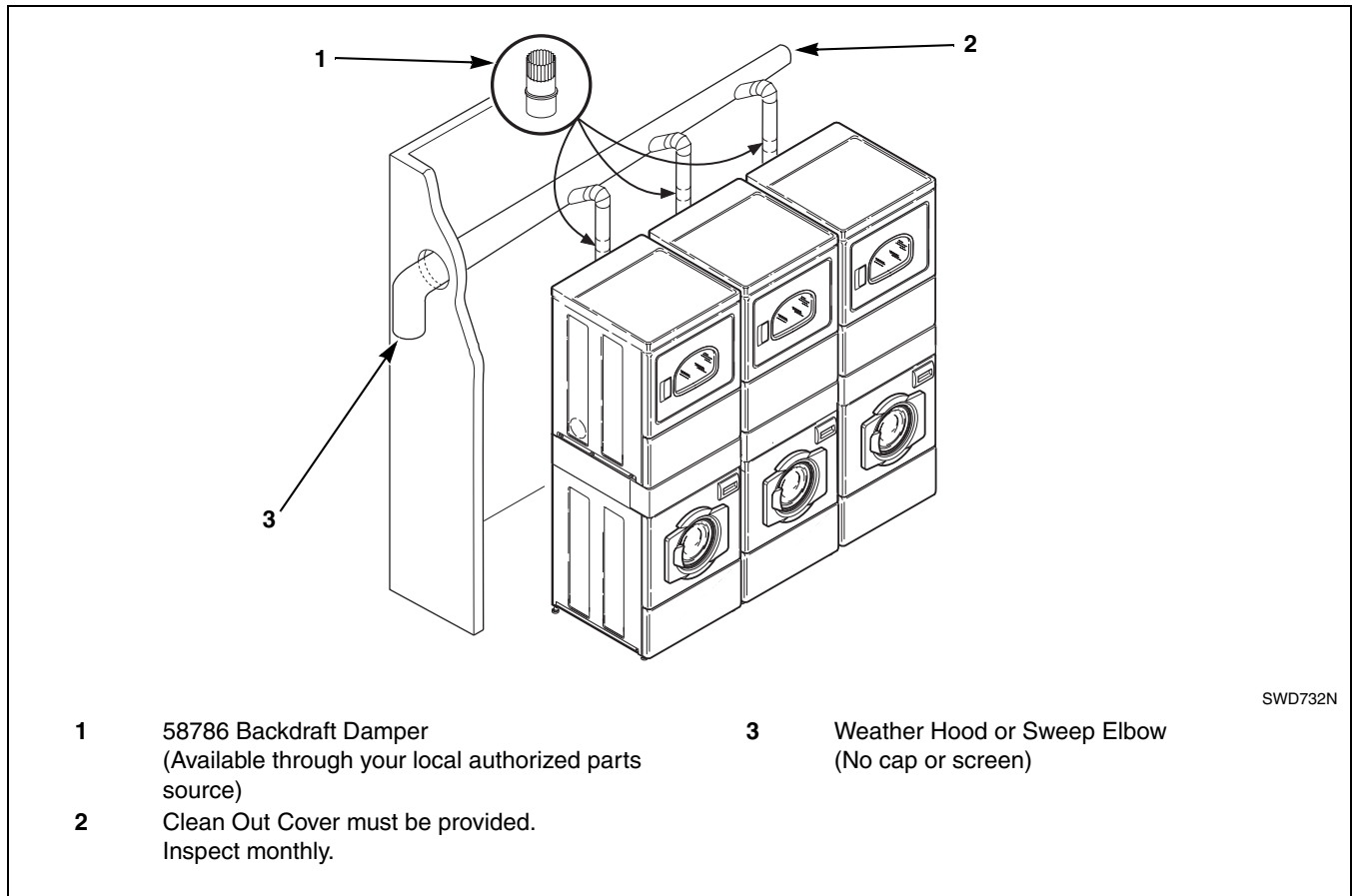


Figure 30

**IMPORTANT:** Static pressure in unit's exhaust duct should be no greater than that shown in *Figure 29*. This can be measured with a manometer placed on the exhaust duct approximately 610 mm (2 feet) from the unit. Refer to *Figure 29*. All dryers connected to the main collector duct should be in operation when pressure is checked.

Installing an exhaust system does not eliminate the necessity of cleaning the dryer lint filter before each load. The dryer interior and the complete exhaust system should be cleaned periodically by a qualified service person to remove any lint build-up.

	<b>WARNING</b>
<b>To reduce the risk of electric shock, disconnect the electrical service to the unit before cleaning.</b>	
W476	

A Backdraft Damper, Part No. 58786 (obtain locally), should be installed in a 102 mm (4 inch) diameter VERTICAL duct system only. This will prevent a backdraft when dryer is not in use, and will keep the exhaust air in balance within the central exhaust system.



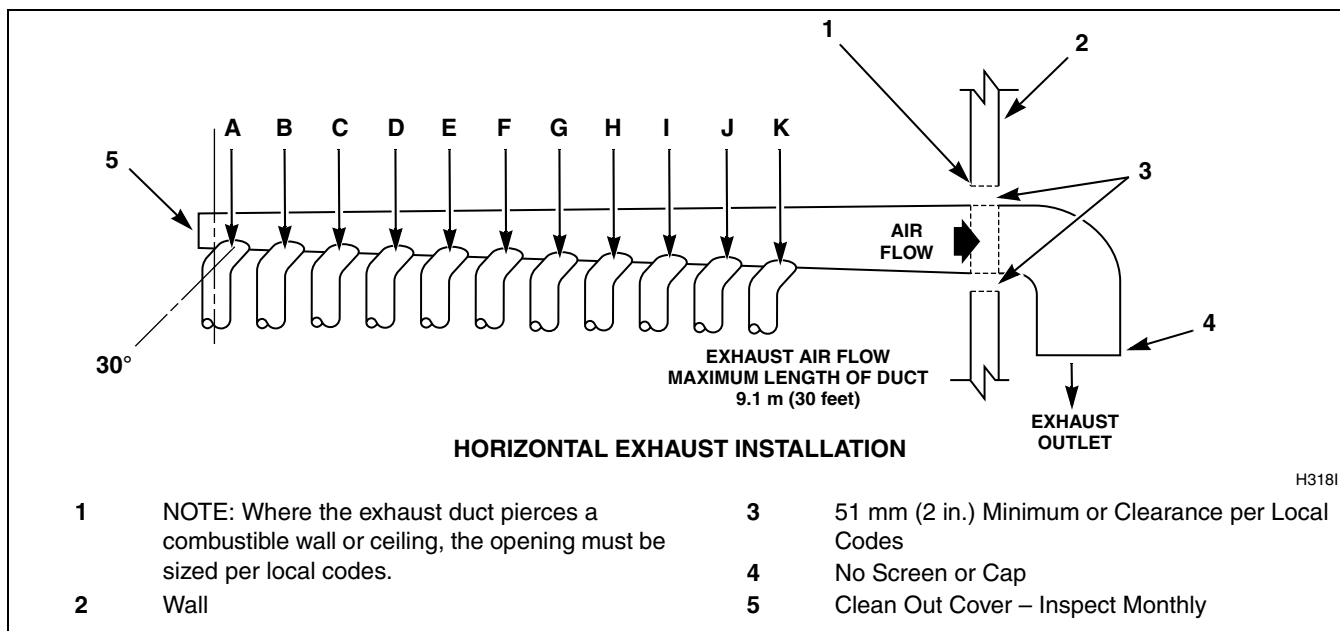


Figure 31

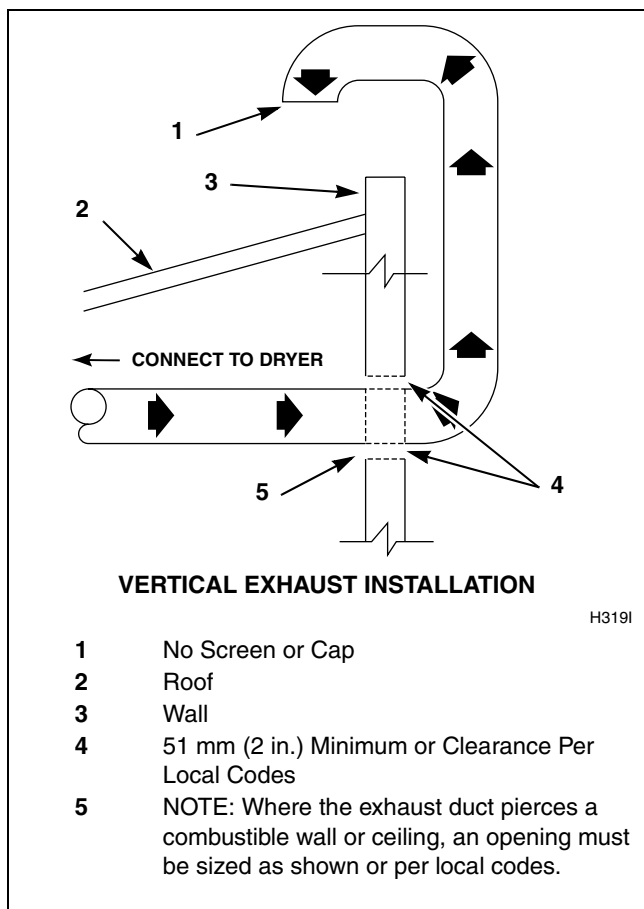


Figure 32

!

**WARNING**

**To reduce the risk of fire and the accumulation of combustion gases, DO NOT exhaust dryer air into a window well, gas vent, chimney or enclosed, unventilated area, such as an attic, wall, ceiling, crawl space under a building or concealed space of a building.**

W045

Duct Station	Minimum Diameter of Collector Duct
A	102 mm (4 inches)
B	203 mm (8 inches)
C	229 mm (9 inches)
D	254 mm (10 inches)
E	279 mm (11 inches)
F	305 mm (12 inches)
G	326 mm (13 inches)
H	356 mm (14 inches)
I	381 mm (15 inches)
J	381 mm (15 inches)
K	406 mm (16 inches)

## Installation

### Lint Filter

CLEAN THE LINT FILTER BEFORE DRYING EACH LOAD. (Refer to *Figure 33* for lint filter location.) Cleaning the lint filter is important because a layer or pad of lint on the filter will block the flow of air through the dryer, thus reducing the efficiency of the dryer. The clothes will take longer to dry and energy will be wasted.

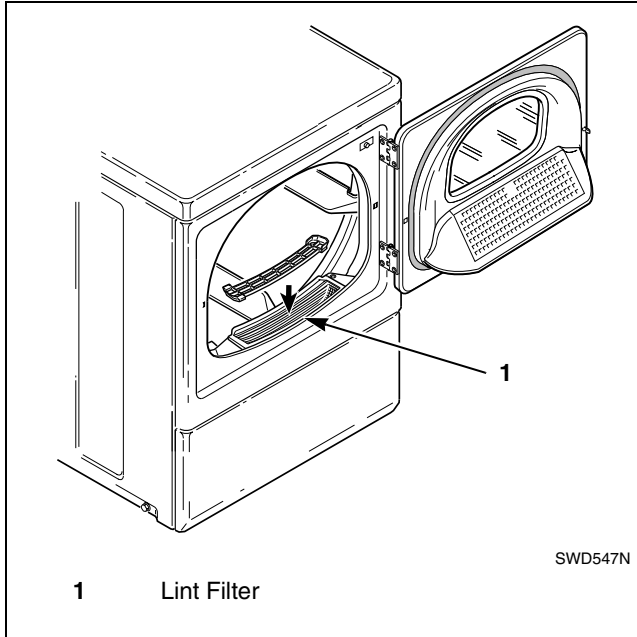


Figure 33

### Dryer Motor Overload Protector

The motor overload protector stops the motor in the event of an overload. After cooling, the overload protector will reset itself. The dryer can be restarted by pressing the start keypad. If the overload protector cycles again, remove the unit from use and call the service person to correct the problem.

# Operation

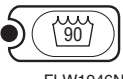




## Operation Instructions for Washers

**IMPORTANT:** Prior to first wash, use an all-purpose cleaner, or a detergent and water solution, and a damp cloth to remove shipping dust from inside of washtub.

**IMPORTANT:** Remove all sharp objects from laundry to avoid tears and rips to items during normal machine operation.

### Step 1: Set Fabric Selector/Wash Temperature (°C)

Push touchpad for **NORMAL/90**, **NORMAL/60**, **NORMAL/40**, **PERM PRESS/60** or **DELICATES/30** cycle. Light indicates selection.

 FLW1946N	NORMAL/90
 FLW1947N	NORMAL/60
 FLW1948N	NORMAL/40
 FLW1949N	PERM PRESS/60
 FLW1950N	DELICATES/30

**NOTE:** Changes can be made to Fabric Selector setting up until the first fill is complete.

### Step 2: Add Laundry Supplies

Open dispenser drawer. Measure and add low sudsing detergent (1), bleach (2) and fabric softener (3) to the dispenser drawer (refer to *Figure 34*). Close dispenser drawer.

**NOTE:** If selecting Prewash (refer to step 7), add detergent into wash drum.

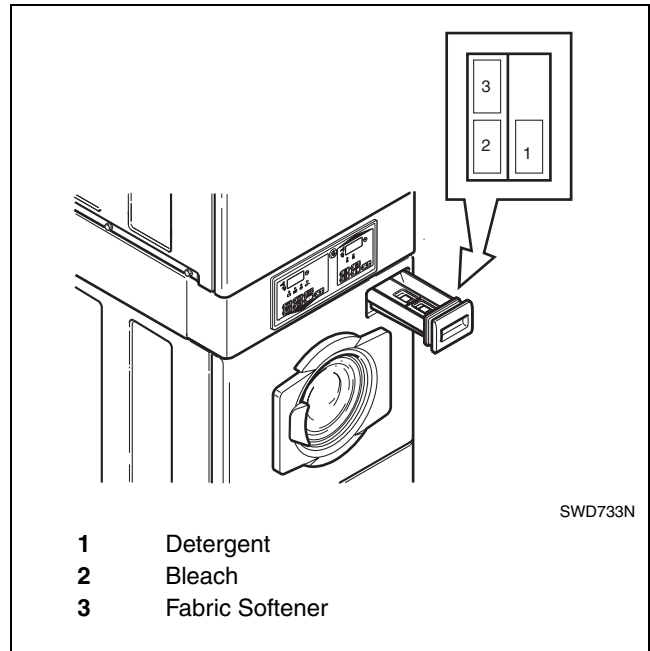



Figure 34

	<b>CAUTION</b>
<b>Dispenser drawer requires a special tool for removal. Contact a service person if removal is necessary.</b>	
W236	

## Operation

### Step 3: Load Laundry

Load items loosely into wash drum.

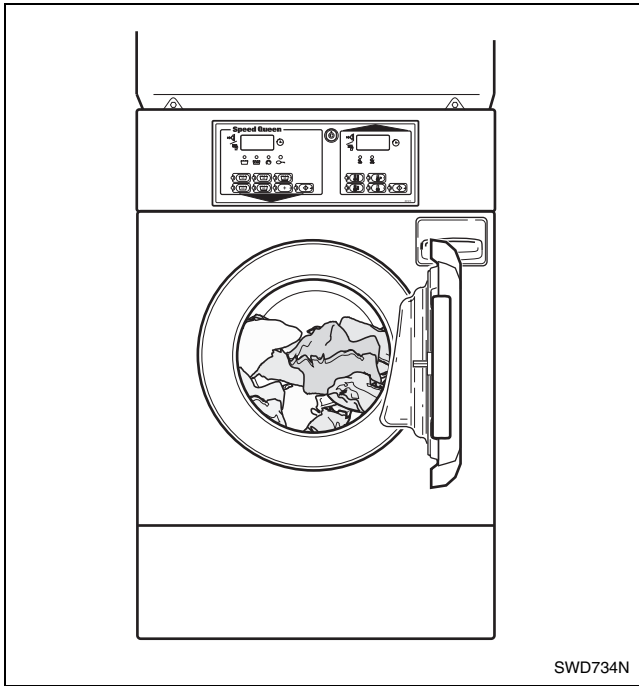


Figure 35

### Step 4: Close Loading Door

Close loading door tightly. The washer will not operate with the loading door open.

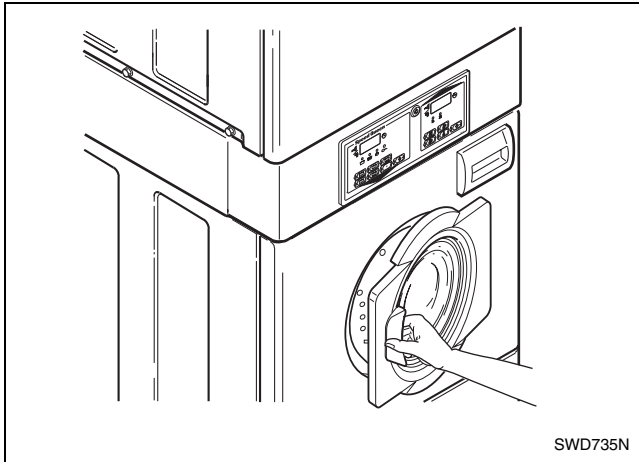


Figure 36

### Step 5: Determine Proper Controls for Washer

The direction of the arrow indicates which controls are for the washer.

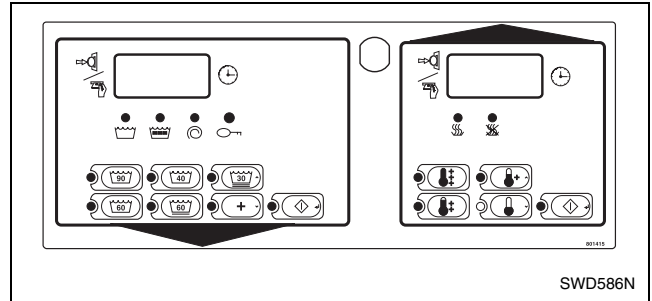


Figure 37

### Step 6: Insert Coin(s) or Card

#### To Insert Money

Insert coin(s) in coin slot. Check pricing as seen on digital display.

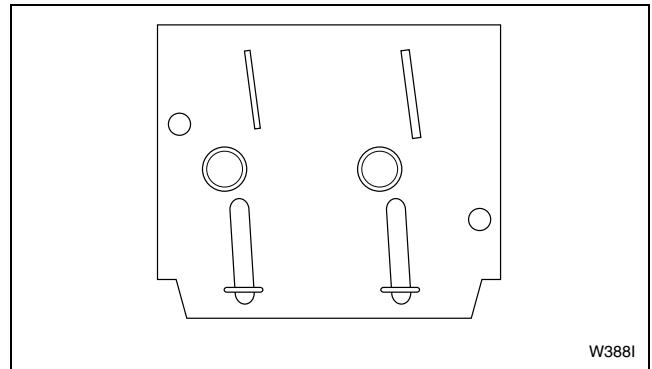


Figure 38

#### To Insert Card

Insert card into opening.

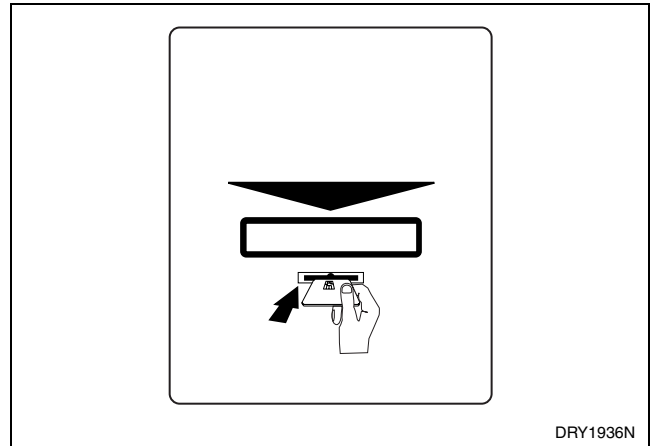


Figure 39

### Step 7: Select Prewash if Desired

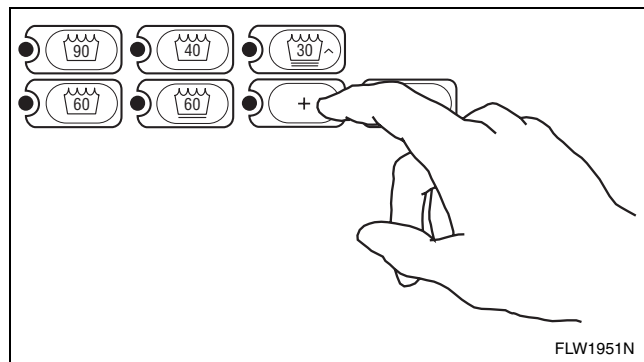


Figure 40

### Step 8: Press Start

After vend price has been satisfied, push the **START** keypad. **DOOR MUST BE CLOSED TO START WASHER.**

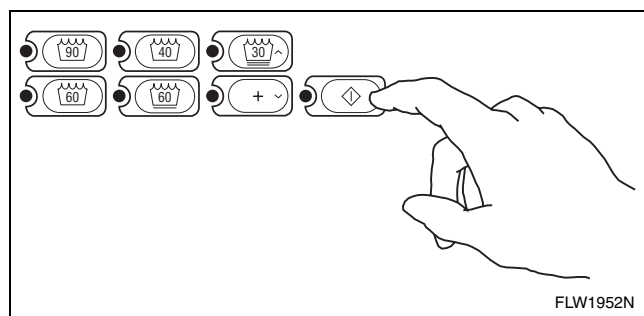


Figure 41

### Indicator Lights

#### *In Use*

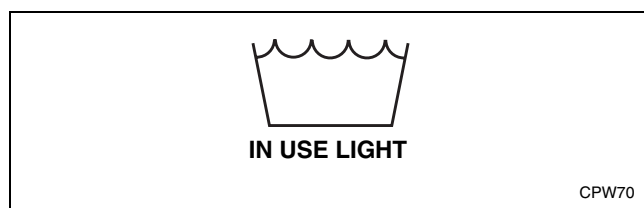


Figure 42

*IN USE* is lit at the beginning of a wash cycle and will remain lit until the wash cycle is complete.

#### *Rinse*

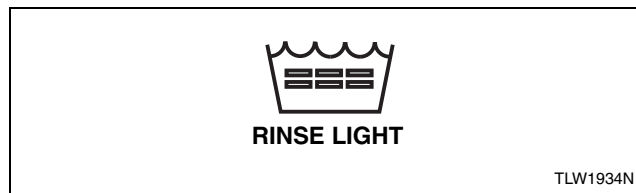


Figure 43

*RINSE* is lit at the beginning of all rinse cycles and will remain lit until the rinse cycle is complete.

#### *Spin*

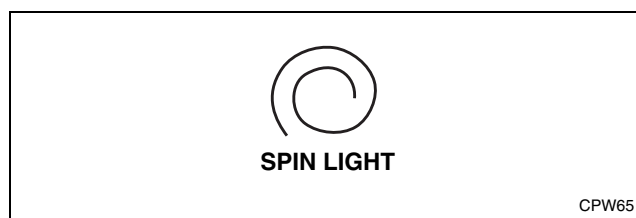


Figure 44

*SPIN* is lit for all spin cycles.

#### *Door Locked*



Figure 45

*DOOR LOCKED* is lit whenever the door is locked. The door cannot be opened when this light is on.

**IMPORTANT:** If washer fails to operate properly after installation, make sure electrical service and water supply faucets are turned on. Are all the controls properly set? Have a qualified service person refer to the wiring diagram (located inside of washer control hood) and check for broken, loose or incorrect wiring.

**NOTE:** Once a cycle has started, the door can only be opened by first unplugging the power cord and waiting one minute.

	<b>WARNING</b>
<p>To reduce the risk of bodily injury, do not remove laundry from washer until all lights are out, and all moving parts have stopped.</p>	
W092	

## Operation

### Operation Instructions for Dryers

**IMPORTANT:** Before using dryer for the first time, use an all-purpose cleaner, or a detergent and water solution, and a damp cloth to remove shipping dust from inside of dryer drum.

**IMPORTANT:** Remove all sharp objects from laundry to avoid tears and rips to items during normal machine operation.

#### Step 1: Clean Lint Filter

Clean lint filter before each use.

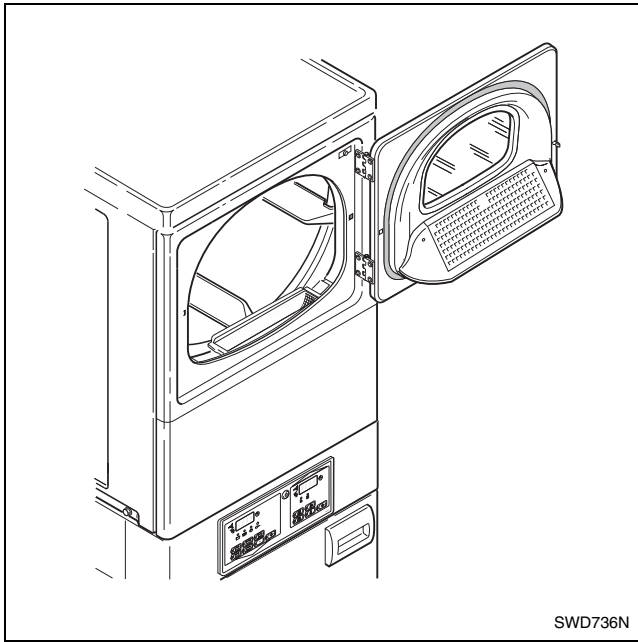


Figure 46

#### Step 2: Load Laundry

Load dryer half full with laundry (8.2 kg maximum dry clothes load). Add fabric softener sheet if desired.

**IMPORTANT:** To avoid damage to dryer, do not use more than one fabric softener sheet per load.

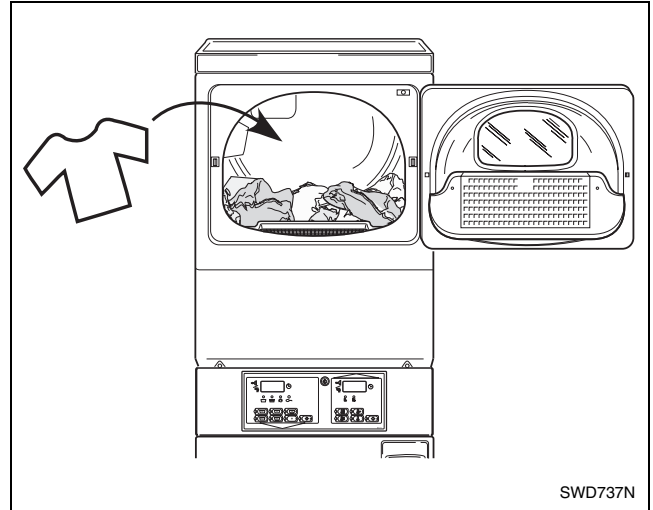


Figure 47

#### Step 3: Close Loading Door

Close loading door. Dryer will not operate with the door open.

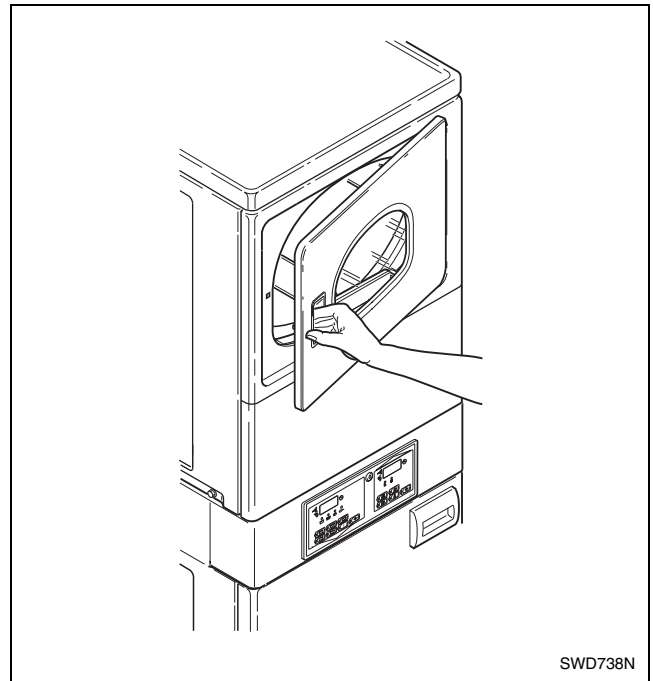


Figure 48

### Step 4: Determine Proper Controls for Dryer

The direction of the arrow indicates which controls are for the dryer.

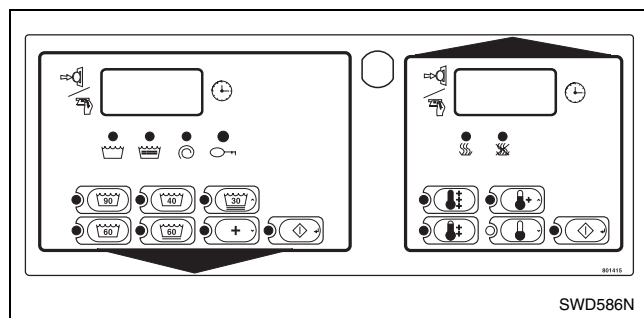


Figure 49

### Step 5: Set Fabric Selector

Select Fabric/Temperature setting.

	High Temp
	Medium Temp
	Low Temp
	Delicates
	Heat
	No Heat

**NOTE: Always follow manufacturer's care label instructions.**

### Step 6: Insert Coin(s) or Card

#### To Insert Money

Insert coin(s) in coin slot. Check pricing as seen on digital display.

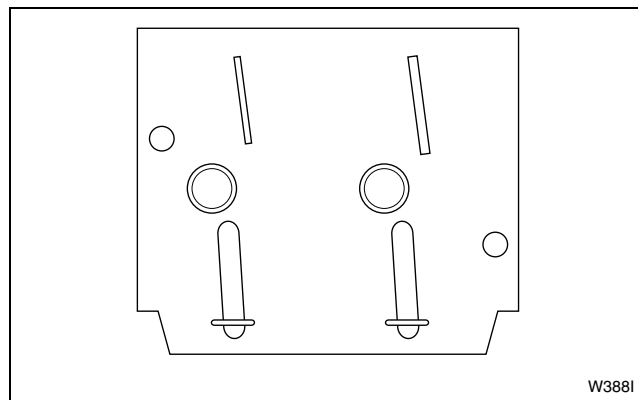


Figure 50

#### To Insert Card

Insert card into opening.

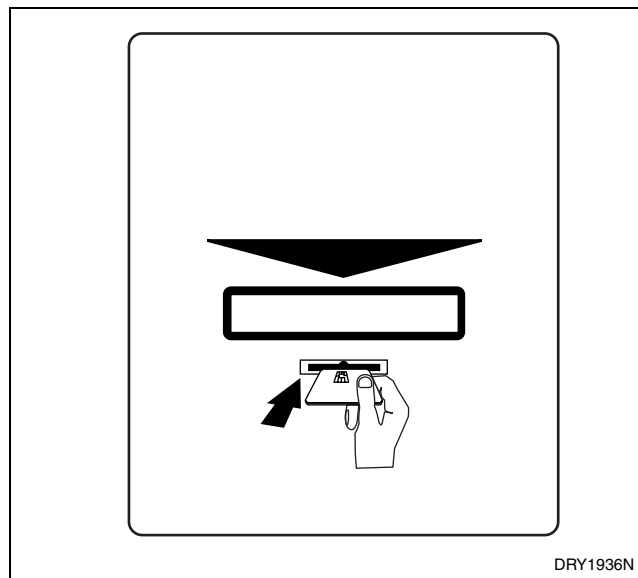


Figure 51

If Additional Time Feature is turned on, additional dryer time may be purchased at cycle start or while dryer is running.

Remove knits when slightly damp because overdrying may cause shrinkage. Do not tumble dry knit woolsens.

## Operation

### Step 7: Start Dryer

To start dryer, push START keypad.

To stop dryer at any time, open the door. To restart the dryer, close door and push START keypad.

Cycle is completed when time remaining reaches 00 minutes.

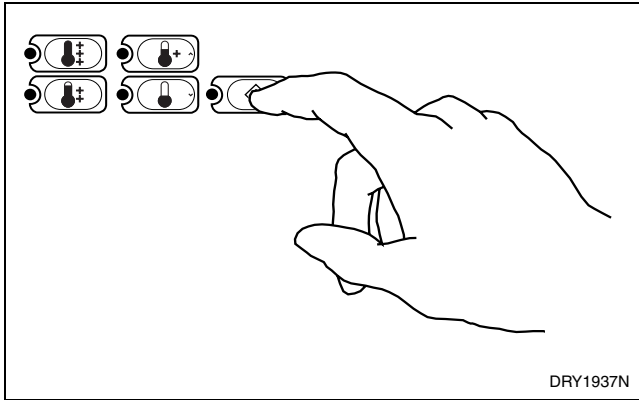


Figure 52

### Step 8: Remove Laundry

Remove laundry immediately after dryer stops.

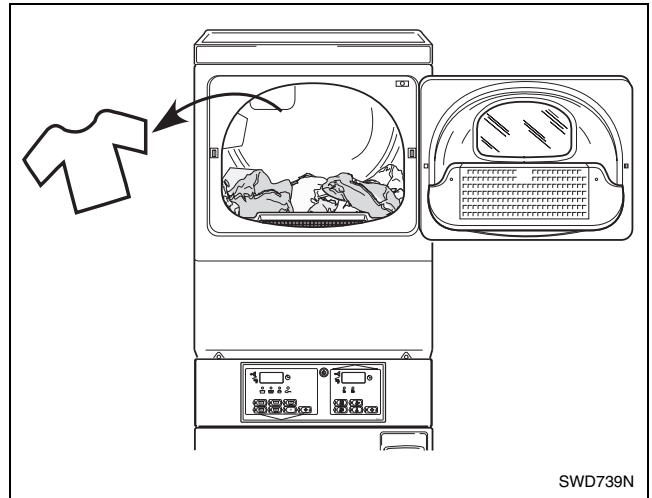


Figure 53



# Maintenance

## User-Maintenance Instructions

### Lubrication

All moving parts are sealed in a permanent supply of lubricant or are equipped with oilless bearings. Additional lubrication will not be necessary.

### Cold Weather Care

If the washer is delivered on a cold day (below freezing), or is stored in an unheated room or area during the cold months, do not attempt to operate it until the washer has had a chance to warm up.

### Vacations and Extended Non-Use

**IMPORTANT: To avoid possible property damage due to flooding, turn off the water supply to the washer whenever there will be an extended period of non-use.**

### Care of Your Washer

Use only a damp or sudsy cloth for cleaning the control panel. Some cleaning product sprays may harm the finish on the control panel or damage the interior of the hood.

Wipe the washer cabinet as needed. If detergent, bleach or other washing products are spilled on the cabinet, wipe immediately. Some products will cause permanent damage if spilled on the cabinet.

Do not use scouring pads or abrasive cleansers.

The wash drum and window will need no particular care although they may need rinsing or wiping after an unusual load has been washed. Outside of window can be cleaned with household window cleaner.

### Replacing Hoses

Hoses and other natural rubber parts deteriorate after extended use. Hoses may develop cracks, blisters or material wear from the temperature and constant high pressure they are subjected to.

All hoses should be checked on a yearly basis for any visible signs of deterioration. Any hose showing the signs of deterioration listed above should be replaced immediately. All hoses should be replaced every five years.

### Care of Your Dryer

Clean the lint filter before drying each load. The lint filter may be washed if needed. Annually remove lint filter and screw to vacuum the duct under it.

Ordinarily, the dryer cylinder will need no care.

Wipe dryer cabinet as needed. If detergent, bleach or other washing products have been spilled on the dryer, wipe immediately. Some products will cause permanent damage if spilled on the cabinet.

Use only a damp or sudsy cloth for cleaning the control panel. Some spray prewash products may harm the finish on the control panel.

**NOTE: The wiring diagram is located inside the control panel.**



## CAUTION

**Label all wires prior to disconnection when servicing controls. Wiring errors can cause improper and dangerous operation.**

W049

### Filter Screens

Check the filter screens for debris or damage annually. Clean or replace them if necessary.

If the washer is filling with water slower than normal, check the filter screens. Clean or replace them if necessary.

Order filter screen Part No. F270300 from the nearest authorized parts distributor.

## Maintenance

### Exhaust System

The exhaust duct should be inspected after one year of use and cleaned if necessary by a qualified service person to remove any lint build-up. Inspect and clean exhaust duct every one to two years as required thereafter.

The weather hood should be checked frequently to make sure the dampers move freely, dampers are not pushed in and that nothing has been set against them.

Keep dryer area clear and free from combustible materials, gasoline and other flammable vapors and liquids.

Do not obstruct the flow of combustion and ventilation air.

**NOTE: Verify proper operation after servicing.**

### For Energy Conservation

- Make sure the lint filter is always clean.
- Do not overload dryer.
- Do not overdry clothes.
- Remove items to be ironed while still damp.
- Large loads of similar fabrics dry the most efficiently. However, dry permanent press in smaller loads to prevent wrinkling.
- Use the correct temperature FABRIC SELECTOR setting for the type of fabric being dried.
- Locate your dryer so the exhaust duct is as short and straight as possible.
- Do not open the door during the drying cycle.
- Plan to do your laundry on low humidity days; your clothes will dry faster.
- Should you plan to dry several loads, do them one after another, then you do not have to reheat the dryer's interior parts each time.

## Before You Call for Service

You may save time and money by checking the following:

### If the Washer:

Won't Fill	Won't Start	Won't Tumble	Won't Spin	Won't Drain	Possible Reason – Do This to Correct
	•				Be sure power cord is plugged all the way into the electrical outlet.
•	•	•	•		Close the loading door tightly.
•	•	•	•		Check the laundry room fuse or circuit breaker.
•					Turn on the hot and cold water faucets.
•					Clean the screens in the water mixing valve and the filter screens in the fill hoses.
		•	•		Are controls properly set?
		•	•		Broken drive belt. Call the service person.
			•	•	Foreign object trap clogged. Clean foreign object trap.
	•				Press the START keypad.
	•				Insert coin(s) or card.

### If the Dryer:

Does Not Start	Does Not Heat	Does Not Dry Clothes Satisfactorily	Possible Reason – Do This to Correct
•			Insert coin(s) or card.
•			Be sure the cord is plugged all the way into the electrical outlet.
•			Close the loading door.
	•		Make sure the controls are in a HEAT setting.
•			Press the START keypad.
•	•		Has the laundry room fuse blown or become loosened, or is a circuit breaker OFF? <b>The dryer itself does NOT have an electrical fuse.</b>
•			Has the motor overload protector cycled? Wait 10 minutes and try again.
		•	Clean the lint filter.
	•	•	Check the exhaust duct to the outside to see if it is kinked, blocked or needs cleaning.
	•	•	Check the weather hood to make sure the flappers move freely, are not pushed in or have not been blocked.
		•	Is the load too small? Small loads may not tumble properly or dry evenly.

## Maintenance

### If Service Is Required

If service is required, contact the nearest Factory Authorized Service Center.

If you are unable to locate an authorized service center or are unsatisfied with the service performed on your unit, contact:

**Alliance Laundry Systems**  
**Shepard Street**  
**P.O. Box 990**  
**Ripon, WI 54971-0990**  
**U.S.A.**  
**Phone: +1 (920) 748-3121**

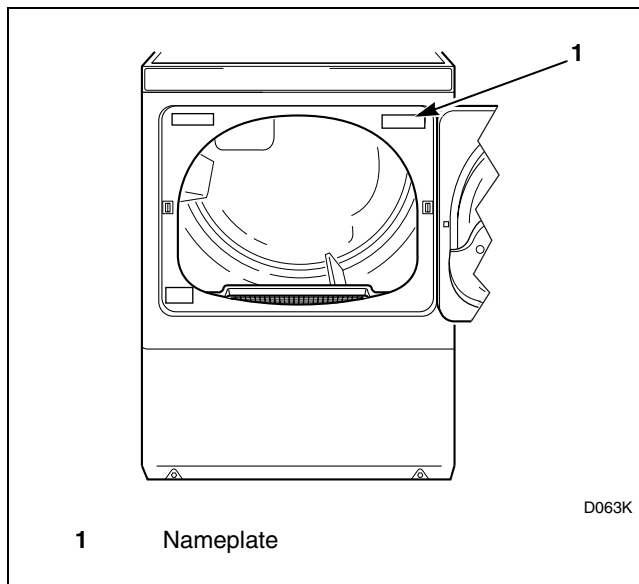


Figure 54

When calling or writing about your unit, PLEASE GIVE THE MODEL AND SERIAL NUMBERS. The model and serial numbers are located on the nameplate. The nameplate will be in the location shown in *Figure 54*.

Please include a copy of your bill of sale and any service receipts you have.

	<b>WARNING</b>
<b>To reduce the risk of serious injury or death, DO NOT repair or replace any part of the unit or attempt any servicing unless specifically recommended in the user-maintenance instructions or in published user-repair instructions that you understand and have the skills to carry out.</b>	
W329	

## Information for Handy Reference

Alliance Laundry Systems  
Shepard Street  
P.O. Box 990  
Ripon, WI 54971-0990  
U.S.A.

Date Purchased \_\_\_\_\_

Model Number \_\_\_\_\_ Serial Number \_\_\_\_\_

Dealer's Name \_\_\_\_\_

Dealer's Address \_\_\_\_\_ Phone Number \_\_\_\_\_

Service Agency \_\_\_\_\_

Service Agency Address \_\_\_\_\_ Phone Number \_\_\_\_\_

**NOTE: Record the above information and keep your sales slip. Model and serial numbers are located on the nameplate.**






# Installer Checklist

Fast Track for Installing the Stacked Washer and Dryer  
(Refer to the manual for more detailed information)

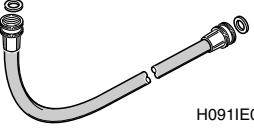
**1** • Position Unit Near Installation Area.



SWD706N

CHECK

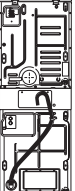
**2** • Connect Water Fill Hoses.



H0911E0A

CHECK

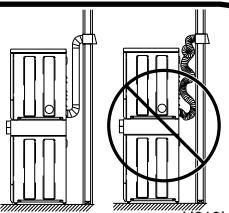
**3** • Connect Drain Hose to Drain Receptacle.



SWD567N

CHECK

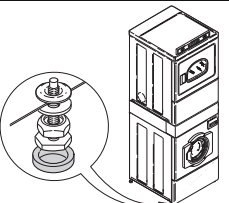
**4** • Connect Dryer Exhaust System.



H312I

CHECK

**5** • Position and Level the Unit.

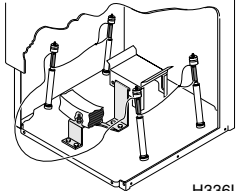


SWD693N

CHECK

**6** – Washer Only

- Remove the Shock Sleeves and Shipping Brace.

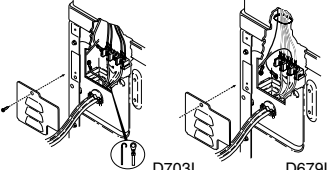


H336I

CHECK

**7** – Dryer Only

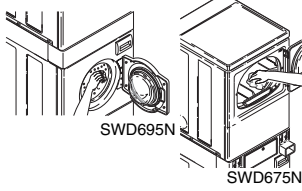
- Connect Electrical Cord.



D703I Two-Wire Connection  
D679I Three-Wire Connection

CHECK

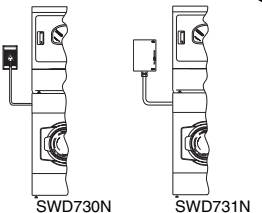
**8** • Wipe Out Inside of Washer Drum and Dryer Drum.



SWD695N  
SWD675N

CHECK

**9** • Connect the Washer and Dryer to Electrical Power.



SWD730N  
SWD731N

CHECK