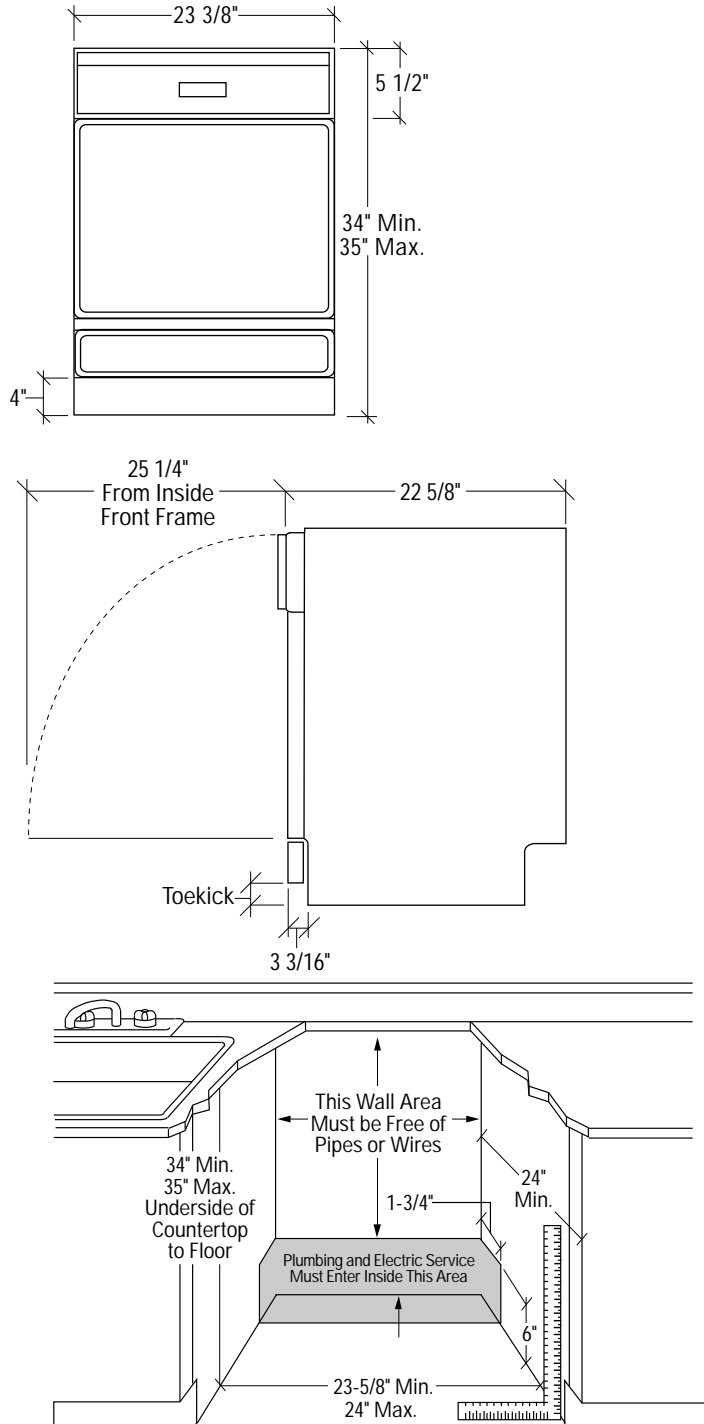




Monogram™

ZBD4700XWW—Dishwasher with stainless steel interior

Dimensions and Specifications (in inches)



Design Information: This dishwasher is supplied as a white model.

This dishwasher has a finished door and access panel. The door and access panel trim will accept custom panels up to $\frac{1}{4}$ " thick.

A toe-kick is supplied and may be covered with a custom toe-kick to match kitchen decor.

Side trim is not required. Side filler strips are supplied to fill a 24 " wide opening.

Additional Specifications: A 120 Volt, 60 Hz power supply is required. An individual properly grounded branch circuit protected by a 15 or 20 amp circuit breaker or time delay fuse is recommended. Install a 3-prong electrical receptacle at least 6 " above the floor and within 18 " of the right or left adjacent cabinet wall. Wiring must enter the cutout in shaded area shown. A double, side-by-side installation requires two separate circuits.

The hot water line must enter the cutout in the shaded area from the right, left, rear or through the floor. The water line should be $\frac{3}{8}$ " O.D. copper or $\frac{1}{2}$ " O.D. plastic. Installation of an easily accessible hand shut-off valve is strongly recommended.

The dishwasher should be placed no more than 10 feet from the sink for proper drainage.

If the dishwasher is to be located in or near a corner of base cabinets, allow 2 " min. clearance from the corner to prevent interference with adjacent door handles.

For answers to your GE Monogram™, GE Profile™, GE, Hotpoint and RCA appliance questions, call GE Answer Center® service, 800.626.2000.



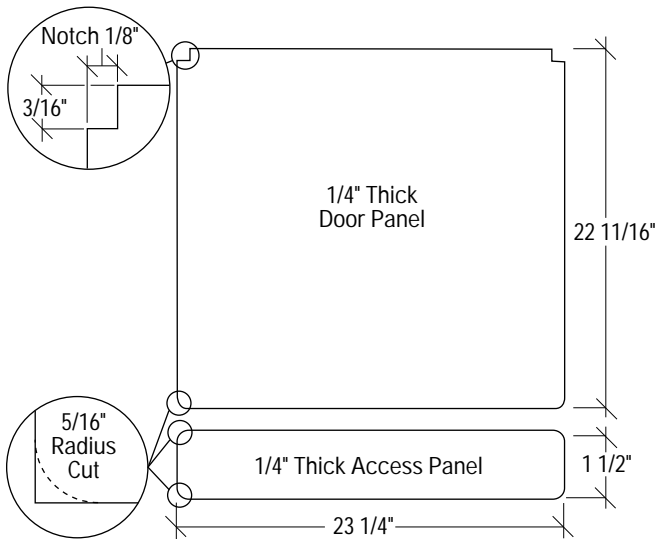


Monogram™

ZBD4700XWW—Dishwasher with stainless steel interior

Dimensions and Specifications (in inches)

1/4" Custom Door and Access Panel Dimensions



Cut 1/4" thick door panel: 23-1/4" wide, 22-11/16" high.
Cut 1/4" thick access panel: 23-1/4" wide 1-1/2" high.
Cut edges of the panels will be concealed by the trim.

Cut a notch in the top corners of the door panel. 1/8" wide and 3/16" deep. This will allow the panel to slide under the escutcheon. The bottom corners of the door panel trim and all 4 corners of the access panel trim are rounded. Therefore, for a good fit, a 5/16" radius cut is required.

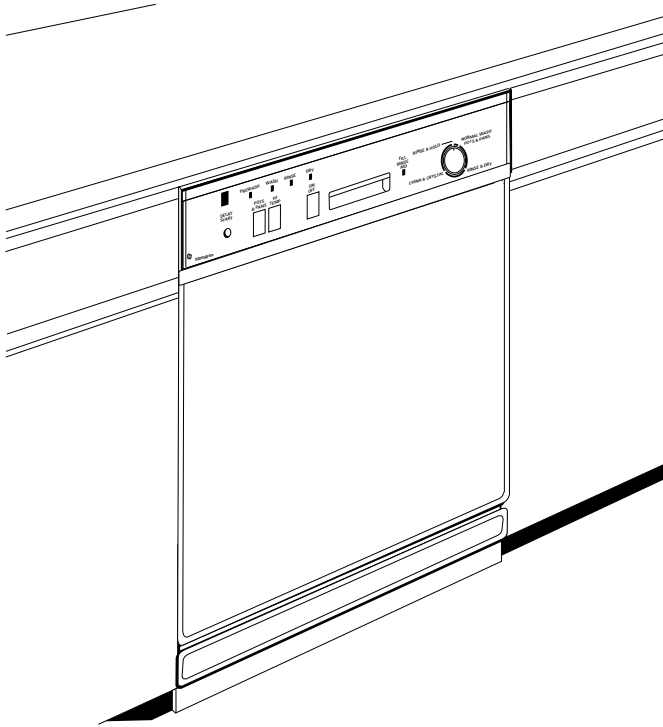
For answers to your GE Monogram™, GE Profile™, GE, Hotpoint and RCA appliance questions, call GE Answer Center® service, 800.626.2000.





Monogram™

ZBD4700XWW—Dishwasher with stainless steel interior



Features and Benefits

- White on white Model
- Triple Sound Insulation Package
- Stainless Steel Interior
- Cycle Selections: Pots & Pans, Normal Wash, China/Crystal, Rinse & Hold, Rinse & Dry
- 4 Wash Levels
- Stainless Steel Multi-Axis Lower Wash Arm
- Triple Filter System
- Adjustable Nylon Upper Rack
- Nylon Lower Rack with Removable Tine Inserts
- Deluxe Silverware Basket
- 2 Utility Shelves
- 9-Hour Delay Start Option
- Water Heat On/Off
- Convection Drying
- Model ZBD4700XWW—White on white
- Model ZBD4700XBB—Black on black