

# READ AND SAVE THESE INSTRUCTIONS

**WARNING:** A risk of fire and electrical shock exists in all electrical appliances and may cause personal injury or death. Please follow all safety instructions.



DESIGN BY F. A. PORSCHE

## Electronic Toaster

Use and Care Guide

Model 1079P

### IMPORTANT SAFEGUARDS

When using electrical appliances, basic safety precautions should always be followed to reduce the risk of fire, electric shock and injury to persons, including the following:

- Read all instructions before using toaster.
- Do not touch hot surfaces. Use handles.
- This toaster is not for use by children.
- Close supervision is necessary when any appliance is used near children.
- Do not operate unattended.
- Oversize foods, metal foil packages, or metal utensils must not be inserted in this toaster. Remove all protective wrappings prior to placing in toaster.
- Avoid using items with “runny” frostings, fillings, icings or cheese. This includes pre-buttered foods. When these substances melt, they cause a sticky build-up and may result in a risk of fire.
- Use toaster in an open area with 4-6 inches air space above and on all sides for air circulation. Do not allow toaster to touch or be covered by flammable materials including curtains, draperies, towels, walls and toaster covers, etc., while in operation.
- Do not attempt to dislodge food when toaster is plugged into an outlet.
- Unplug from outlet when not in use and before cleaning. Allow to cool before cleaning.
- Do not clean with metal scouring pads. Pieces can break off the pad and touch electrical parts creating a risk of electrical shock.
- Do not place any cord, plug or body of this toaster under water or other liquid. See instructions for cleaning.
- Do not operate any damaged appliance. Do not operate with a damaged cord or plug or after the toaster malfunctions, or has been dropped or damaged in any manner. Return toaster to the nearest authorized service facility for examination, repair or mechanical adjustment.
- Use attachments only if recommended by Toastmaster Inc.
- Do not use outdoors or when standing in a damp area.
- Do not use toaster for other than intended use.
- Do not let cord hang over edge of table or counter or touch hot surfaces.

- Do not place on or near a hot gas or electric burner, or in a heated oven.
- Failure to clean crumb tray may result in a risk of fire. (Refer to cleaning instructions.)

# SAVE THESE INSTRUCTIONS

**THIS PRODUCT IS FOR HOUSEHOLD USE ONLY**

**CAUTION:** A short power supply cord is provided to reduce the risk of personal injury resulting from becoming entangled in or tripping over a longer cord. If a longer cord is required, extension cords are available from local hardware stores and may be used if care is exercised in their use. If an extension cord is used, (1) the marked electrical rating of the extension cord should be at least 13 A., 125 V., 1625 W., and (2) the longer cord should be arranged so that it will not drape over the counter top or tabletop where it can be pulled on by children or tripped over accidentally.

**ELECTRIC POWER:** If the electric circuit is overloaded with other appliances your appliance may not operate properly. It should be operated on a separate electrical circuit from other appliances.

*Thank You for purchasing this Toastmaster appliance.*

*Featuring precision-engineered components, the Porsche Collection is an upscale, high-quality line of products designed by F. A. Porsche. The toaster's sleek appearance matched only by its excellent performance is sure to please. Enjoy!*

## FEATURES

- Automatic last setting memory retains previous toast color chosen when it is left plugged in.
- Electronic timing provides consistency in color.
- Self adjusting bread slots hold food upright for uniform toasting side to side.
- Integrated warming rack to make crispy warm buns.
- Removable crumb tray for easy cleaning.
- Convenient cord storage.

## GETTING TO KNOW YOUR TOASTER

- |          |                      |    |  |
|----------|----------------------|----|--|
| Figure 1 | Toaster              | a. | Stop Button                            |
| Figure 2 | Toast Color Selector | b. | Toast Lever                            |
|          | Light 1 - Dark 6     | c. | Toast Slot                             |
| Figure 3 | Warming Racks        | d. | LED Indicator for Toast Color Selector |
| Figure 4 | Toast Lever and      | e. | Toast Color Selector Button            |
|          | Stop Button          | f. | Warming Rack                           |
| Figure 5 | Cord Storage         | g. | Warming Rack Handle                    |
|          |                      | h. | Removable Crumb Tray                   |
|          |                      | i. | Cord Storage                           |

Figure 2



Figure 3

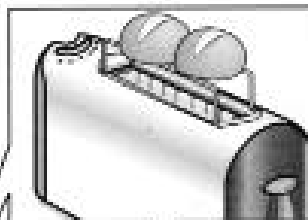


Figure 1

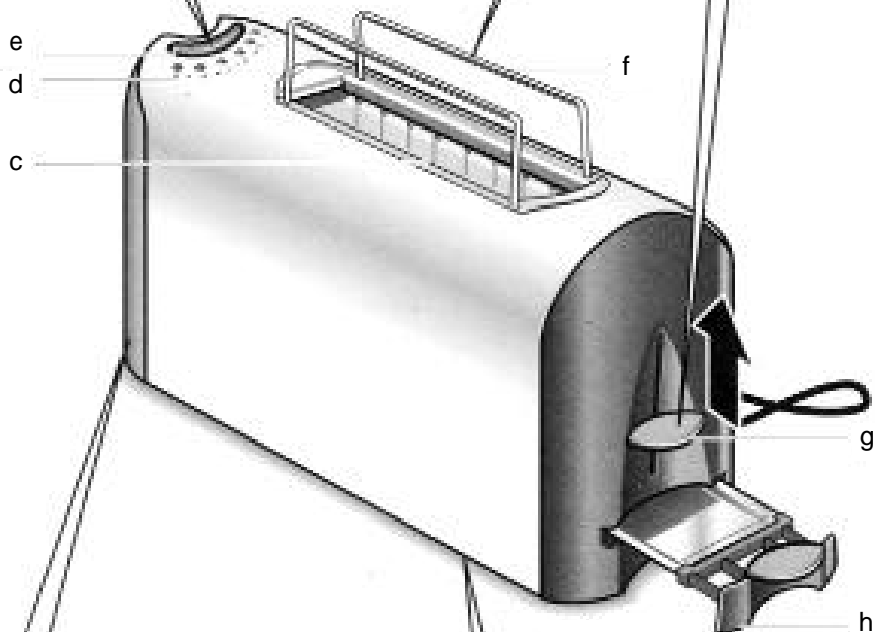


Figure 4

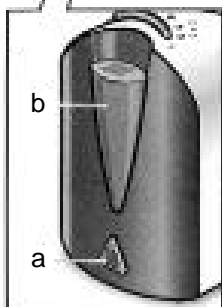
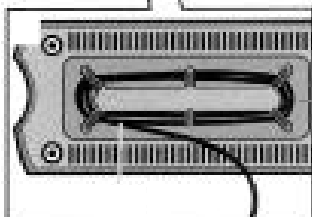


Figure 5



## **LIGHTED ELECTRONIC DIODE**

Your toaster is equipped with a lighted electronic diode (LED). This is the electronic indicator light next to the toast color selector button to let you know what color has been chosen.

In addition, the LED will allow you to see the stage of toasting during the toast cycle. For example, select toast color 4 and press down the toast lever. The LED indicator for color 4 will be on and the LED for color 1 will begin to flash as soon as the toast lever is pushed down. The LED indicator advances to the next position as toasting progresses until the selected color, which in this case is 4, is reached. This enables you to see at a glance the current degree of toasting.

## **AUTOMATIC LAST SETTING MEMORY**

This feature enables your toaster to hold the same setting in memory from one use to the next as long as the toaster remains plugged in.

Approximately 5 minutes after you have finished toasting, the LED indicator light will go out. However, as long as the toaster remains plugged in, the automatic last setting memory will retain the toast setting previously selected. To recall previously selected color, push the toast color selector button. The LED indicator will come on next to the last color chosen.

## **BEFORE USING YOUR TOASTER**

Fill out warranty information.

The Toastmaster Electronic Porsche Toaster features a light (1) to dark (6) color selector with a wide range of settings in between for your personal preference.

We suggest that you try your favorite bread with the selector in the center position (3-4). If the toast color is too light, move the color selector to a higher setting by pressing the "+" side of toast color selector button. If too dark, push the color selector to a lower setting by pressing the "-" side of the toast color selector button, (see figure 2.) The light setting produces a toasted piece of bread with a crisp exterior and little to no browning. A dark setting produces a darker exterior and dry interior. With experimentation you will be able to choose suitable colors for all toasted products.

## **TOASTING INSTRUCTIONS**

1. Plug cord into 120 V ~ 50-60 Hz outlet. The LED indicator lights for medium color settings (3-4) will be on.
2. Adjust toast color by pressing toast color selector button, light (1) to dark (6).
3. Insert bread into adjustable toasting slot. If toasting a single item, center in slot.  
NOTE: Remember, when using different varieties of toaster foods, it may be necessary to change the toast color selector to achieve the desired color.
4. Push toasting lever down, the racks automatically adjust to the thickness of the bread. The toast lever handle will return to original position. The LED indicator by the 1 will continue flashing and advance to the next light until the desired color is reached.
5. When the bread is toasted to the color chosen, it will pop up and the toaster will shut off automatically. The LED indicator will stop flashing.  
NOTE: To stop toasting in mid cycle, press the stop button on the side of the toaster, (see figure 4.) The adjustable bread slots will release the food and lift it up. You may then remove your toaster food.

6. When finished, unplug and allow to cool thoroughly before cleaning and storing.

### **FRESH PASTRY**

Set toast color to a light setting. It may be necessary to change the position to compensate for thick foods or those which contain fillings.

### **FROZEN PASTRY**

Set the toast color toward the medium color setting. Due to variation in shape and thickness, different food items will require different settings.

### **HINTS FOR TOASTING**

- When you select toast color 1, the LED indicator will flash continually until the toast is done. Then the LED indicator will stay on.
- If 2 slices of bread are toasted and then followed by 1 slice of bread, it is important that the toast color be changed by pressing the “—” side of the button 3 times or 1½ toast colors.
- Thin bread will not be centered in the toasting slot and should be toasted on a lighter color setting in order to avoid over browning.
- Thawing frozen foods before toasting will help ensure the inside of the food is adequately warmed and prevent the outside from burning. To accommodate individual tastes, it may be helpful to experiment.

### **INTEGRATED WARMING RACK**

In Europe, a warming rack is designed to crisp buns which have become limp. You may also use the warming rack to warm buns, rolls, and croissants that are too large to fit inside the toaster slot. For faster warming or to prevent over browning, cut the food in half.

NOTE: Foods being warmed or crispened should not completely cover the toaster top, allow space for adequate air flow.

NOTE: Do not place food containers such as plates or foil pans on top of warmer.

1. Plug into a 120 V ~ 50-60 Hz outlet.
2. Lift the warming rack handle, (see figure 3.)
3. Center the foods on the warming racks.
4. Set the toast color selector to 4-5 for crisping or lower for warming.
5. Press down the toast lever. The LED indicator by the toast color chosen will come on and the LED indicator beside the 1 will flash and advance to the next light until the desired setting is reached.
6. When cycle is complete the LED indicator will stop flashing. Turn the food over and repeat instruction 5.
7. Carefully remove the crisp/warm foods.
8. Retract warming rack by pressing warming rack handle down when finished and during regular toasting.
9. When finished, unplug and allow to cool thoroughly before cleaning and storing.

### **CLEANING INSTRUCTIONS**

1. Unplug toaster from outlet and allow to cool thoroughly.
2. Wipe outside with soft, damp cloth. Polish with soft, dry cloth.
3. Remove crumb tray from toaster by pulling out on handle, (see figure 1.)
4. Brush out crumbs.
5. Replace crumb tray.

## CORD STORAGE

1. Unplug from outlet and allow to cool thoroughly.
2. Turn toaster on its side and wrap cord around inside of base for storing, (see figure 5.)

## SERVICE INFORMATION

Please refer to warranty statement to determine if in-warranty service applies.

This appliance must be serviced by Toastmaster authorized service center. Unauthorized service will void warranty. Consult your phone directory under "Appliances-Household-Small-Service and Repair," or call 1-800-947-3744 in the United States and Canada, 52-5-397-2848 in Mexico.

If an authorized service center is not available locally, your appliance may be returned postage prepaid to our National Service Center at the address shown on the back of this book.

Products must be adequately protected to avoid shipping damage. Surround your appliance with three inches of protective padding and include a note explaining the problem you have experienced. We recommend insuring your package. No CODs accepted.

### ONE YEAR LIMITED WARRANTY

Toastmaster Inc. warrants this product, to original purchaser, for three years from purchase date to be free of defects in material and workmanship.

This warranty is the only written or express warranty given by Toastmaster Inc. This warranty gives you specific legal rights. You may have other rights which vary from state to state. ANY OTHER RIGHT WHICH YOU MAY HAVE, INCLUDING ANY IMPLIED WARRANTY OF MERCHANTABILITY OR FITNESS FOR A PARTICULAR PURPOSE IS LIMITED IN DURATION TO THE DURATION OF THIS WARRANTY.

Defective product may be brought or sent (freight prepaid) to an authorized service center listed in the phone book, or to Service Department, Toastmaster Inc., 708 South Missouri St., Macon, MO 63552 for free repair or replacement at our option.

Your remedy does not include: cost of inconvenience, damage due to product failure, transportation damages, misuse, abuse, accident or the like, or commercial use. IN NO EVENT SHALL TOASTMASTER INC. BE LIABLE FOR INCIDENTAL OR CONSEQUENTIAL DAMAGES.

Some states do not allow limitations on how long an implied warranty lasts, or allow the exclusion or limitation of incidental or consequential damages, so the above limitations or exclusions may not apply to you.

For information, write Consumer Claims Manager, at the Macon address. Send name, address, zip, telephone area code and daytime number, model, serial number, and purchase date.

## KEEP DATED SALES RECEIPT FOR WARRANTY SERVICE.

Keep this booklet. Record the following for reference:

Date purchased \_\_\_\_\_

Model number \_\_\_\_\_

Date code (stamped on bottom) \_\_\_\_\_