

RANGE COMPOSITION

N 700: a range of over 100 models for the professional caterer designed to guarantee the highest level of performance, reliability, energy saving, safety standards and ergonomic operation. These concepts are reflected in the total modularity of the range that ensures numerous configurations, either free-standing or bridged. N 700 demonstrates how advanced technology can satisfy the needs of the professional caterer. The models detailed on this sheet are 6 burner gas ranges on base or on gas oven.



178005

N 700

6 BURNER GAS RANGES **ZANUSSI** PROFESSIONAL

FUNCTIONAL AND CONSTRUCTION FEATURES

- ◆ Burners:
 - Flame failure.
 - 5,5 kW with flame regulator.
 - Pilot light for each burner.
- ◆ Electric oven with switch knob to control top and bottom heating elements. Oven thermostat with temperature markings in °C adjustable from 140° to 300°C.
- ◆ Gas oven with stainless steel burners, self-stabilizing flame positioned beneath the base plate and a thermostat adjustable from 140° to 300°C.
- ◆ Worktop in 1,5mm stainless steel. Front panel in stainless steel with Scotch Brite finish.
- ◆ Feet in stainless steel adjustable in height 50mm.
- ◆ Pan supports are cast iron.

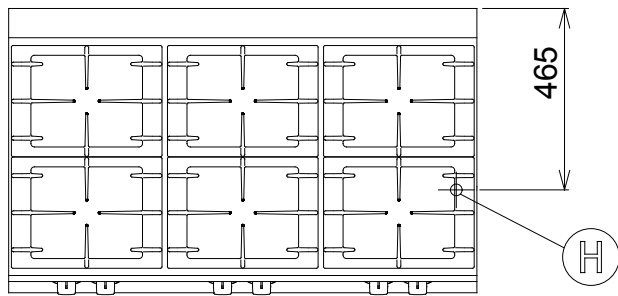
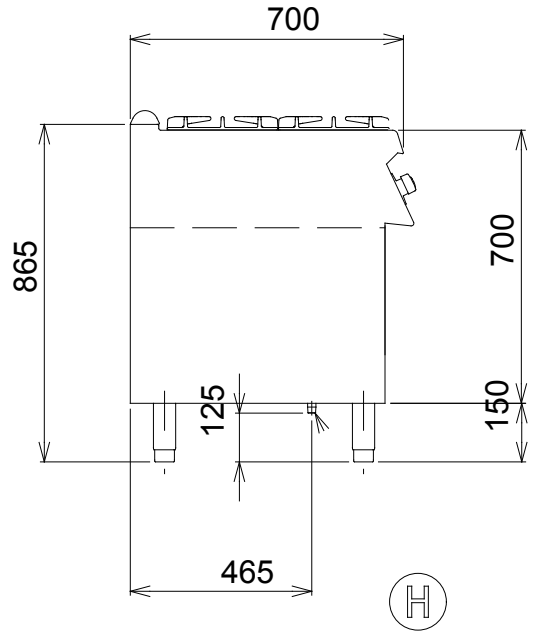
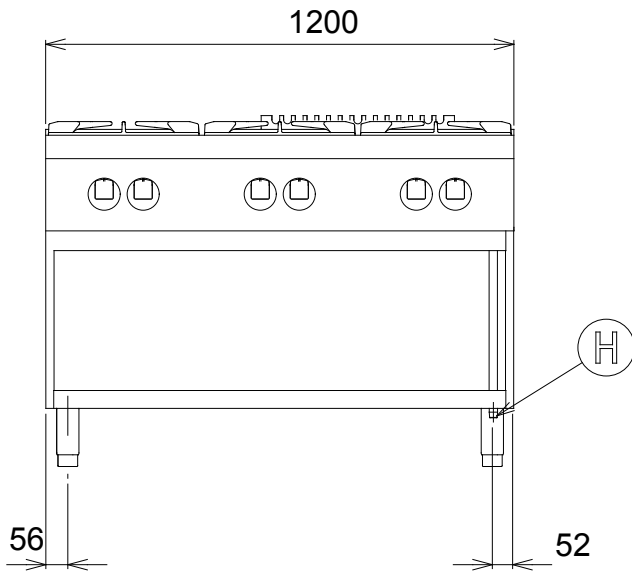
TECHNICAL DATA			
CHARACTERISTICS	MODELS		
	KCGV1200 178003	KCGFG1200 178005	KCGFE1200 178008
Power supply	Gas	Gas	Gas/Electric
External dimensions - mm			
width	1200	1200	1200
depth	700	700	700
height	850	850	850
height adjustment	50	50	50
Oven cavity - mm			
width		540	540
depth		650	650
height		300	300
Oven			
heat input - kW		6	6
temperature min-max - °C		110, 270	140, 300
Storage cupboard - mm			
width	1030	330	330
depth	640	640	640
height	420	380	380
Back burner dimensions - mm	Ø 60, Ø 60, Ø 60	Ø 60, Ø 60, Ø 60	Ø 60, Ø 60, Ø 60
Back burners power - kW	5,5, 5,5, 5,5	5,5, 5,5, 5,5	5,5, 5,5, 5,5
Front burners dimension - mm	Ø 60, Ø 60, Ø 60	Ø 60, Ø 60, Ø 60	Ø 60, Ø 60, Ø 60
Front burners power - kW	5,5, 5,5, 5,5	5,5, 5,5, 5,5	5,5, 5,5, 5,5
Power - kW			
gas	33	39	33
installed-electric			6
Net weight - kg.	75	120	120
Supply voltage			400 V, 3N, 50/60
INCLUDED ACCESSORIES			
2/1 GN CHROME GRID		1	1

- ◆ All models have right-angled side edges to allow flush-fitting joints between units eliminating gaps and possible dirt traps.
- ◆ Stainless steel oven chamber with 3 levels of runners to accommodate 2/1GN shelves.
- ◆ Inside door panel in stainless steel.
- ◆ Handles on the oven in stainless steel.
- ◆ IPX4 water protection.
- ◆ Main connections can be via the base of the unit.
- ◆ All gas appliances are supplied for use with natural gas, LPG or town gas. Conversion jets supplied as standard.

OPTIONAL ACCESSORIES			
ACCESSORIES	MODELS		
	KCGV1200 178003	KCGFG1200 178005	KCGFE1200 178008
2 DRAWERS FOR OPEN BASE	206255	206255	
2 SIDE COVERING PANELS FOR TOP-D=700MM	206277	206277	206277
2 SIDE COVERING PANELS H=700 D=700	206000	206000	206000
2 SIDE KICKING STRIPS-CONCRETE INSTALL.	206265	206265	206265
2 SUPPORTS+RUNNERS FOR 4 GN 1/1&2/1 CONT	206244		
2/1 GN CHROME GRID		164250	164250
4 FEET FOR CONCRETE INSTALLATION	206210	206210	206210
4 WHEELS (2 WITH BRAKE)	206188	206188	206188
CENTRAL SUPPORT FOR 800MM/1200MM CUPB.	206245		
CHIMNEY COVER 1200MM CLOSED	206274		
CHIMNEY COVER 1200MM OPEN-SMALL CHIMNEY		206275	206275
CHIMNEY UPSTAND 1200MM	206306	206306	206306
DOUBLE BURNER RIBBED PLATE	921685	921685	921685
DOUBLE BURNER SMOOTH PLATE	921684	921684	921684
DRAUGHT DIVERTER WITH 120 MM DIAMETER		206126	
ELECTRIC HEATING KIT FOR CUPBOARDS	206259		
FLANGED FEET KIT	206136	206136	206136
FLUE CONDENSER		206246	
FRONT.KICK.STRIP F.CONCRETE INST.1000 MM	206150	206150	206150
FRONT.KICK.STRIP F.CONCRETE INST.1200 MM	206151	206151	206151
FRONT.KICK.STRIP F.CONCRETE INST.1600 MM	206152	206152	206152
FRONT.KICK.STRIP F.CONCRETE INST.200 MM	206146	206146	206146
FRONT.KICK.STRIP F.CONCRETE INST.400 MM	206147	206147	206147
FRONT.KICK.STRIP F.CONCRETE INST.800 MM	206148	206148	206148
FRONTAL HANDRAIL 1200 MM	206191	206191	206191
FRONTAL HANDRAIL 1600 MM	206192	206192	206192
FRONTAL HANDRAIL 400 MM	206166	206166	206166
FRONTAL HANDRAIL 800 MM	206167	206167	206167
FRONTAL KICKING STRIP 1000 MM	206177	206177	206177
FRONTAL KICKING STRIP 1200 MM	206178	206178	206178
FRONTAL KICKING STRIP 1600 MM	206179	206179	206179
FRONTAL KICKING STRIP 200 MM	206174	206174	206174
FRONTAL KICKING STRIP 400 MM	206175	206175	206175
FRONTAL KICKING STRIP 800 MM	206176	206176	206176
LARGE HANDRAIL(PORTIONING SHELF)400 MM	206185	206185	206185
LARGE HANDRAIL(PORTIONING SHELF)800 MM	206186	206186	206186
LEFT SIDE DOOR FOR OPEN BASE CUPBOARD	206195		
PAIR OF SIDE KICKING STRIPS	206249	206249	206249
PRESSURE REGULATOR FOR GAS UNITS	927225	927225	
RIGHT AND LEFT SIDE HANDRAILS	206240	206240	206240
RIGHT SIDE DOOR FOR OPEN BASE CUPBOARD	206194		
S/S GRID FOR DOUBLE BURNER-700 LINE	206297	206297	206297
SIDE WALL FOR CUPBOARD	206252		
SINGLE BURNER RADIANT PLATE	206264	206264	206264
SINGLE BURNER RIBBED PLATE	206261	206261	206261
SINGLE BURNER SMOOTH PLATE	206260	206260	206260
WATER COLUMN EXTENSION FOR 700 LINE	206291	206291	206291
WATER COLUMN WITH SWIVEL ARM	206289	206289	206289



www.zanussiprofessional.com



597823900

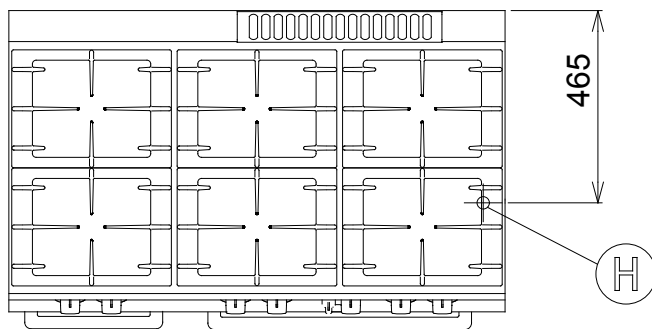
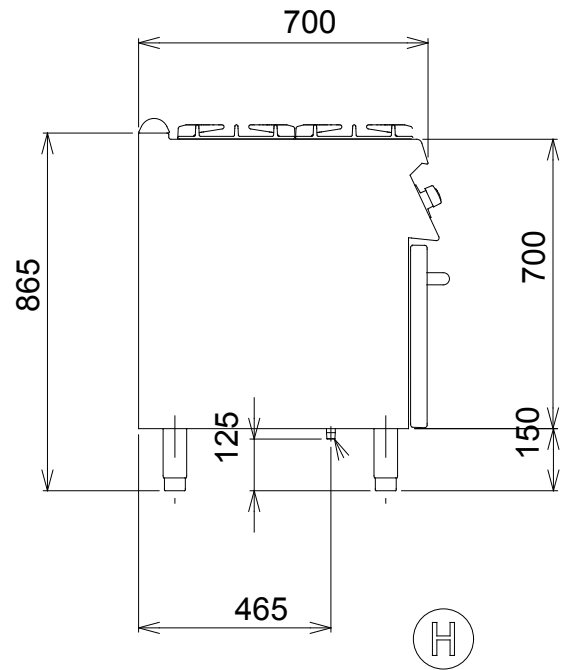
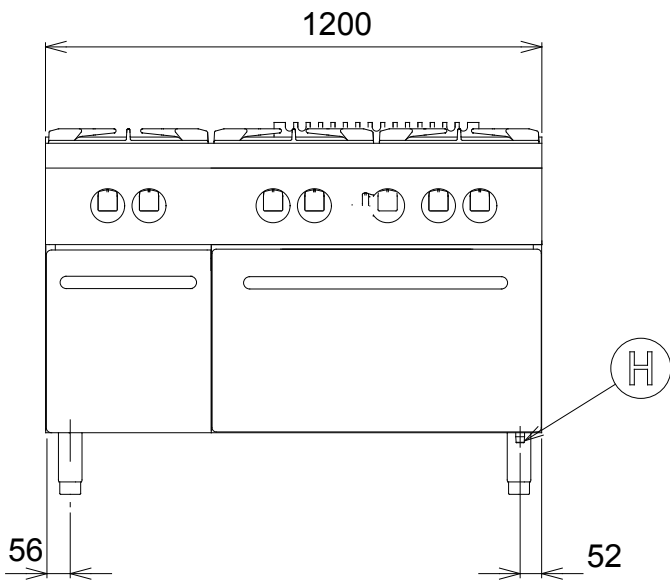
LEGEND

H - Gas connection

KCGV1200
178003
1/2"



www.zanussiprofessional.com



597824100

LEGEND

H - Gas connection

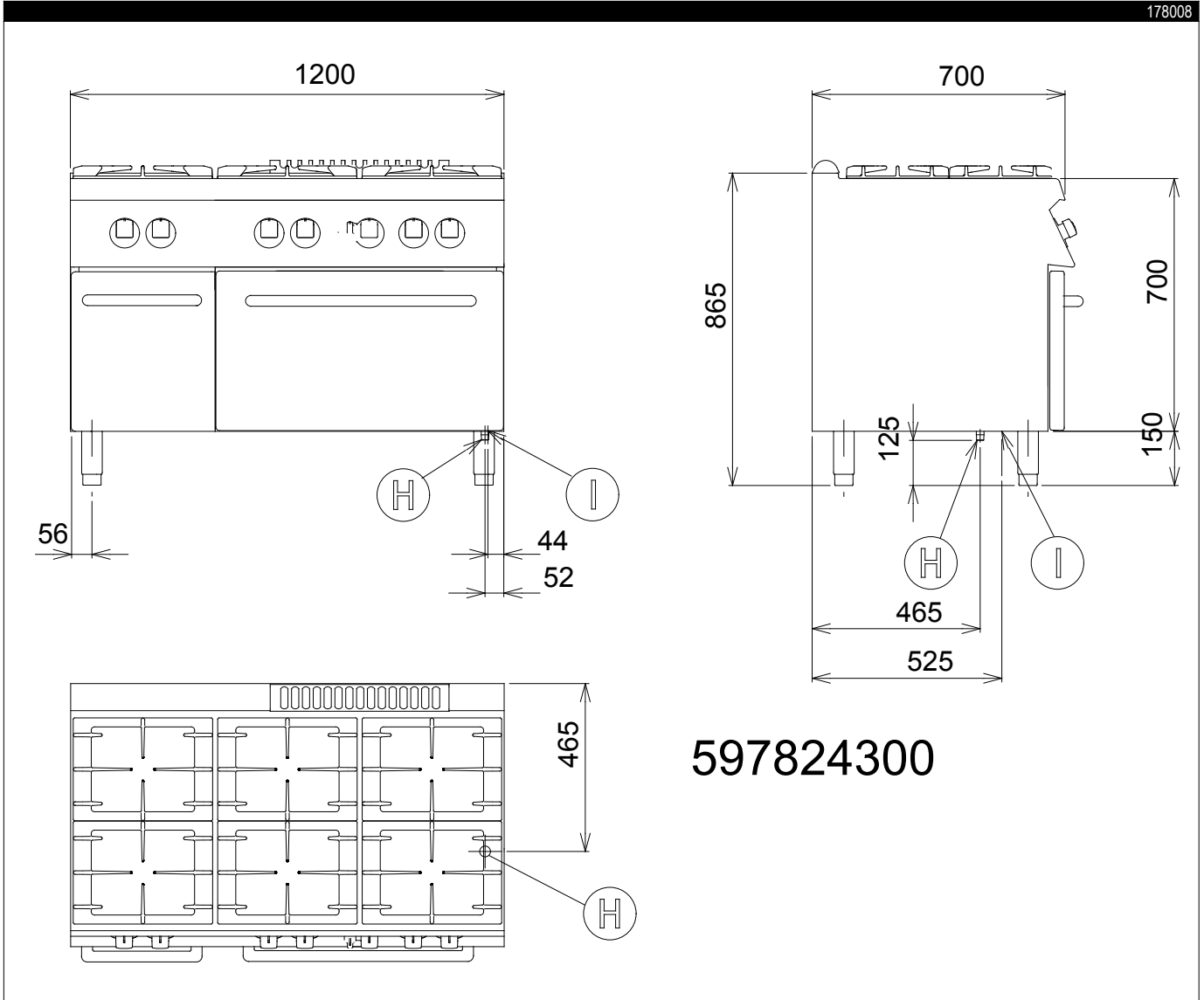
KCGFG1200

178005

1/2"



www.zanussiprofessional.com



597824300

LEGEND

	KCGFE1200 178008
H - Gas connection	1/2"
I - Electrical connection	400 V, 3N, 50/60



www.zanussiprofessional.com