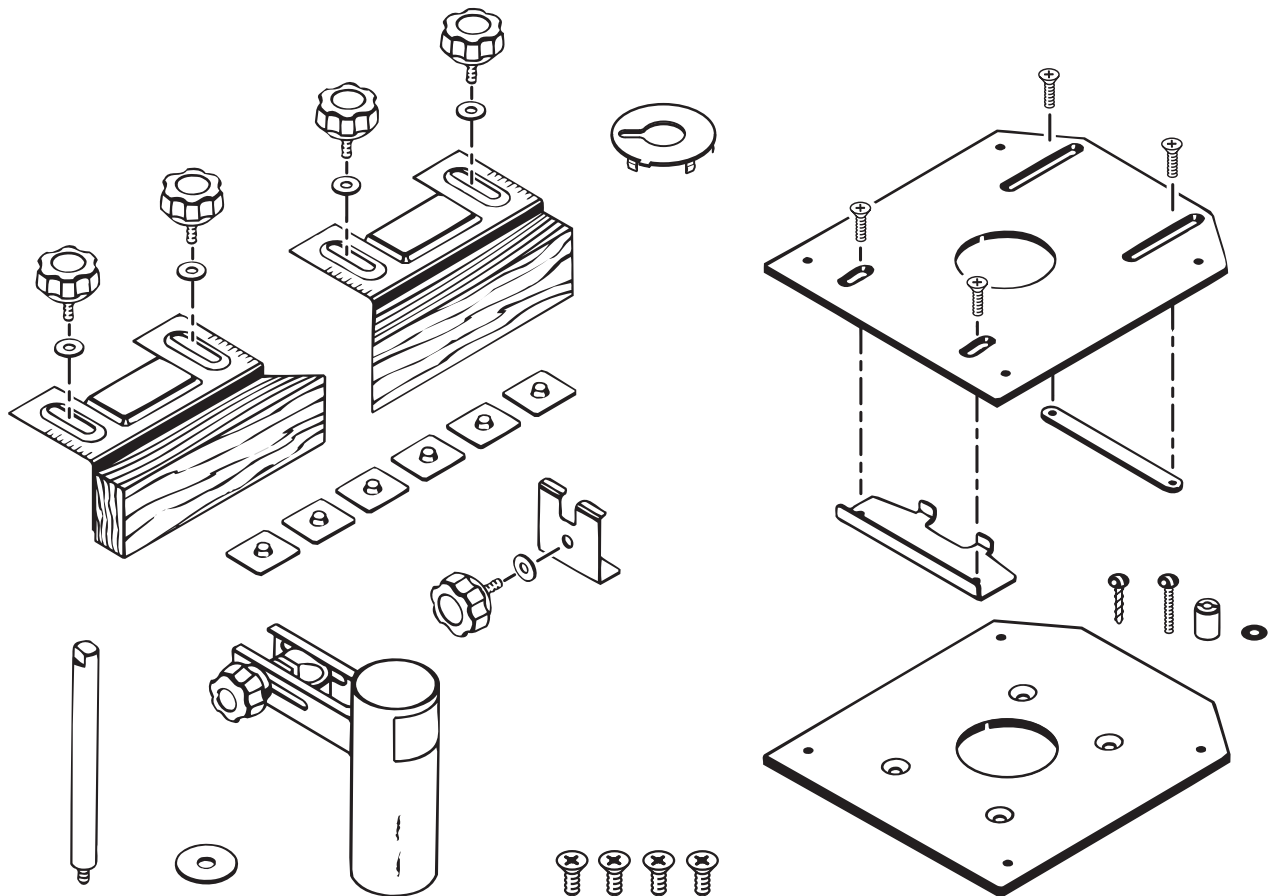




OPERATOR'S MANUAL

#4950300 ROUTER AND JIG SAW MOUNTING KIT (FOR USE WITH THE BT3000 TABLE SAW)



CONGRATULATIONS AND THANK YOU FOR BUYING THIS RYOBI ROUTER AND JIG SAW MOUNTING KIT.

Your new **#4950300 Router and Jig Saw Mounting Kit** has been designed for use with the **RYOBI BT3000 Table Saw**. It has been engineered and manufactured to Ryobi's high standards for dependability, ease of operation, and operator safety. This kit gives you the capability of mounting a router or jig saw on the accessory table of your BT3000. It also includes a circle cutting jig for cutting circular patterns in both large and small stock. Properly cared for, it will provide years of dependable, trouble-free performance.

RULES FOR SAFE OPERATION

1. **READ THESE INSTRUCTIONS THOROUGHLY** before assembling or using this router and jig saw mounting kit.
2. **READ THE INSTRUCTIONS FOR THE BT3000 TABLE SAW** before operating your saw with this kit.
3. **KEEP ASSEMBLY AREA AND WORK AREA CLEAN.** Cluttered areas and benches invite accidents.
4. **ALWAYS WEAR SAFETY GLASSES.** Everyday eyeglasses have only impact-resistant lenses; they are **NOT** safety glasses.
5. **DO NOT USE THIS PRODUCT WITH OTHER EQUIPMENT OR FOR OTHER PURPOSES.**
6. **ALWAYS DISCONNECT SAW FROM POWER SUPPLY BEFORE ASSEMBLING THIS KIT.** Make sure switch is off when reconnecting saw to power supply.

Save This Manual For Future Reference

RULES FOR SAFE OPERATION (Continued)

7. DO NOT MAKE ADJUSTMENTS UNTIL CUTTER OR BLADE HAS COME TO A COMPLETE STOP AND TOOL HAS BEEN DISCONNECTED FROM POWER SOURCE.
8. FEED WORKPIECE AGAINST ROTATION OF CUTTER.
9. DO NOT USE AWKWARD HAND POSITIONS.
10. KEEP FINGERS AWAY FROM REVOLVING CUTTER, USE FIXTURES WHEN NECESSARY.
11. WHENEVER POSSIBLE, ALWAYS USE DUST COVER FOR OVERHEAD GUARDING.
12. DO NOT REMOVE JAMMED CUTOFF PIECES UNTIL CUTTER OR BLADE HAS STOPPED AND TOOL HAS BEEN DISCONNECTED FROM POWER SOURCE.
13. HOLD WORKPIECE FIRMLY AGAINST THE TABLE.
14. UNUSED SAW MAY CAUSE PERSONAL INJURY. DISCONNECT MOTOR CORD FROM THE RECEPTACLE ON YOUR SAW AND PLUG ACCESSORY POWER CORD INTO THE RECEPTACLE. ALWAYS USE THE SAW'S MASTER SWITCH TO TURN THE ACCESSORY "ON" AND "OFF".

INTRODUCTION

As mentioned previously, this kit gives you the capability of mounting a router or jig saw on the accessory table of your BT3000. A router mounted on the accessory table will provide expanded capabilities for making rabbets, grooves, chamfers, dovetails, and mortise and tenon joints. A jig saw mounted on the accessory table will provide expanded capabilities for cutting curves, scrollwork, and intricate patterns.

The circle cutting jig included in this kit enables you to easily cut circular patterns in both large and small stock with either a router or jig saw.

The additional versatility gained from use of this kit will turn your BT3000 table saw into a remarkable woodshaping center.

IMPORTANT NOTE

This router kit has been specifically designed for use with the **Ryobi Model RE600 Electronic Router Only**. The hole pattern on the mounting plate has **not** been drilled to accommodate other routers on the market.

This jig saw kit is used to mount a jig saw on the accessory table of your BT3000 table saw. Ryobi jig saws plus many other brands can be mounted using the parts supplied in this kit. Before operating the jig saw, make sure the front and rear clamping brackets properly secure the jig saw base to the mounting plate. Care must be taken to insure that the jig saw blade does not come in contact with the throat plate, accessory table, or any part of the assembly during operation. Visually inspect all areas of moving parts prior to connecting the jig saw to power supply.

UNPACKING

Your new router and jig saw mounting kit includes two separate mounting plates, two guide fences with guide blocks, a dust cover assembly, a throat plate, plus the necessary brackets and connecting hardware required to mount a **Ryobi Model RE600 Electronic Router** to the accessory table of your BT3000 table saw. It also includes connecting hardware required to mount Ryobi jig saws to the accessory table of your BT3000 table saw .

CHECKING PARTS

Separate all parts from packing materials. Check your parts with the parts list on page 3. Refer to Figure 1 if you are unsure about the description of any part. If any parts are missing, delay assembly of this kit until you have obtained the missing part(s).



WARNING:

Attempting to assemble the Router and Jig Saw Mounting kit or to use in any way without obtaining any missing parts and installing them correctly, could result in an accident resulting in possible serious injury.

TOOLS NEEDED

Tools needed for assembly of this kit are a phillips screwdriver, two slotted screwdrivers, and an adjustable wrench. **Note:** Adjustable wrench will be used to tighten threaded post into the special 5/16 in. T-nut provided.



WARNING:

Unplug the power supply cord of your BT3000 from electrical outlet before you begin mounting this kit. It should remain disconnected until the mounting operation is complete, all attachments are installed properly, and they have been checked to make sure they are secure. Failure to unplug your saw could result in accidental starting causing possible serious personal injury.

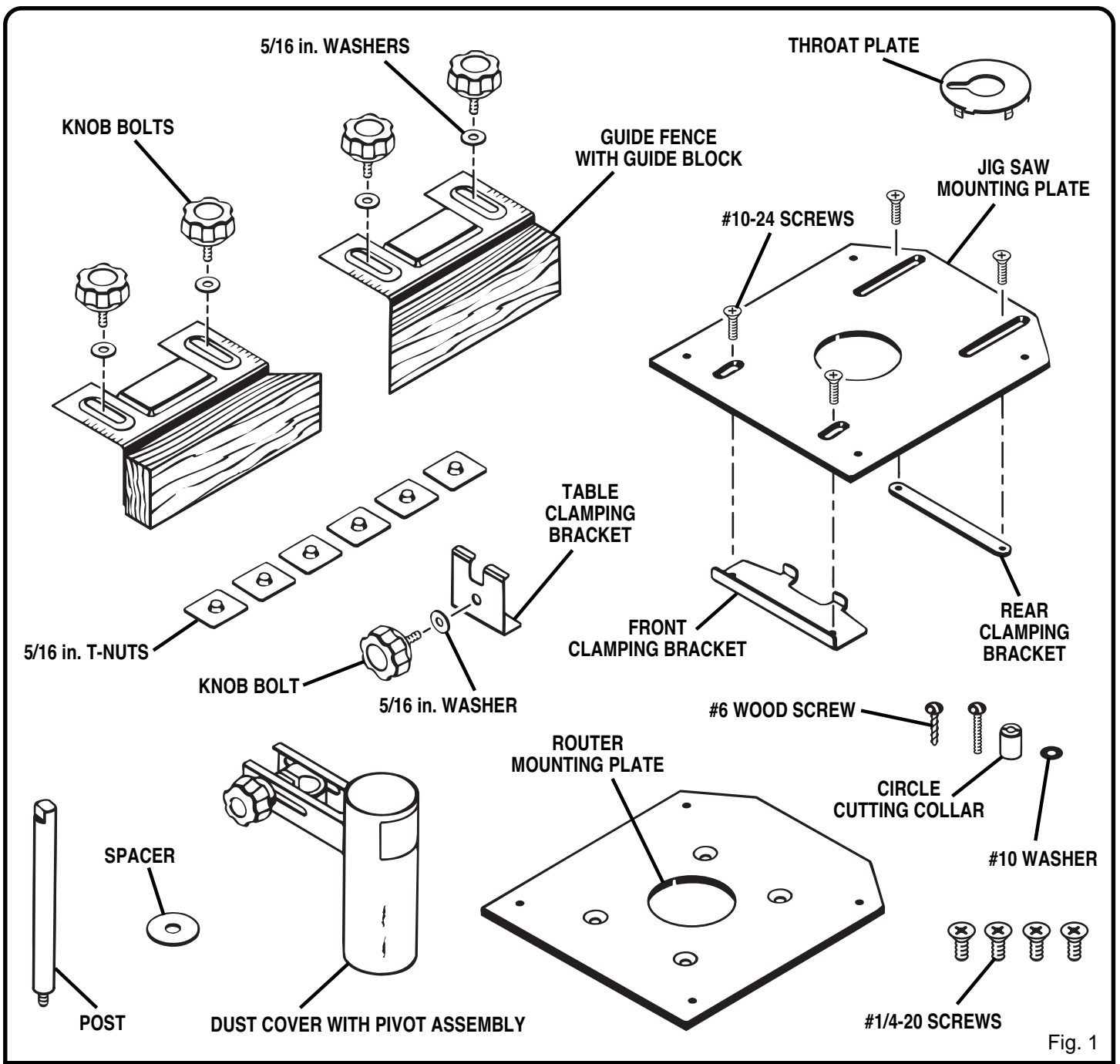


Fig. 1

LIST OF LOOSE PARTS

Your #4950300 Router and Jig Saw Mounting Kit includes the following parts:

DESCRIPTION	QUANTITY	DESCRIPTION	QUANTITY
Guide Fence with Guide Block	2	Jig Saw Mounting Plate	1
Knob Bolt (#5/16-18 x 1/2 in.)	4	Screw (#10-24 x 3/4 in. Phillips Flat Hd.)	4
5/16" Washer	5	Router Mounting Plate	1
5/16" T-Nut (Special)	6	Screw (#1/4-20 x 1/2 in. Phillips Flat Hd.)	4
Spacer	1	Circle Cutting Collar with Slot.....	1
Post	1	Washer (#10)	1
Dust Cover with Pivot Assembly	1	Screw (#10-24 x 1 in. Round Hd.)	1
Throat Plate	1	Wood Screw (#6 x 1 in. Round Hd.)	1
Front Clamping Bracket for Jig Saw	1	Table Clamping Bracket	1
Rear Clamping Bracket for Jig Saw	1	Knob Bolt (#5/16-18 x 3/4 in.)	1

ASSEMBLY

Read these instructions completely before beginning assembly of this kit.

ROUTER MOUNTING



WARNING:

The saw's motor cord must be disconnected from the receptacle provided on the saw when using this kit with a Router or Jig Saw mounted to the accessory table. The power supply cord of the Router or Jig Saw must be plugged into the receptacle and the saw's master switch must be used to turn the Router or Jig Saw "ON" or "OFF".

IMPORTANT

This router kit has been specifically designed for use with the **Ryobi Model RE600 Electronic Router Only**. The hole pattern on the mounting plate has **not** been drilled to accommodate other routers on the market. Special mounting screws are provided with the RE600 to insure safe, secure mounting.

TO INSTALL T-NUTS FOR GUIDE FENCE BRACKETS

See Figure 2.

This kit requires that five of the special 5/16 in. T-nuts provided fit in the top channel of the rip fence on your BT3000 table saw. The first T-nut is required between the two adjustment screws on top of the rip fence.

TO INSTALL:

1. Place rip fence against saw blade as shown in figure 2 and lock in place. This will insure that rip fence remains square.
2. Using the appropriate allen wrench supplied with your BT3000 table saw, loosen and remove rear adjustment screw and washer on top of rip fence.
3. Slide one of the special 5/16 in. T-nuts into top channel of rip fence and place it between two adjustment screws. **Note:** T-nuts install from rear of rip fence.
4. Replace adjustment screw and washer.
5. **Tighten adjustment screw securely.**
6. Check rip fence for squareness with saw blade.

TO INSTALL REMAINING T-NUTS

See Figure 3.

1. For ease of assembly, unlock rip fence and slide away from saw blade. See Figure 3.
2. Lock rip fence.
3. Slide four remaining 5/16 in. T-nuts in top channel of rip fence as shown in figure 3.
Note: You should now have five T-nuts in the top channel of rip fence. Only one should be between adjustment screws.

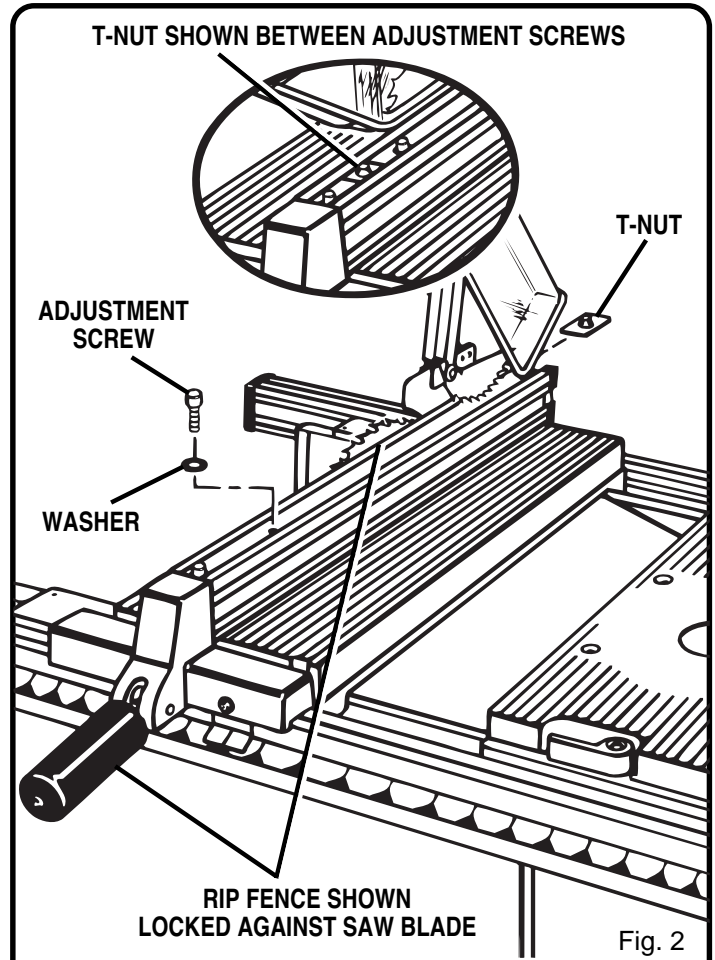


Fig. 2

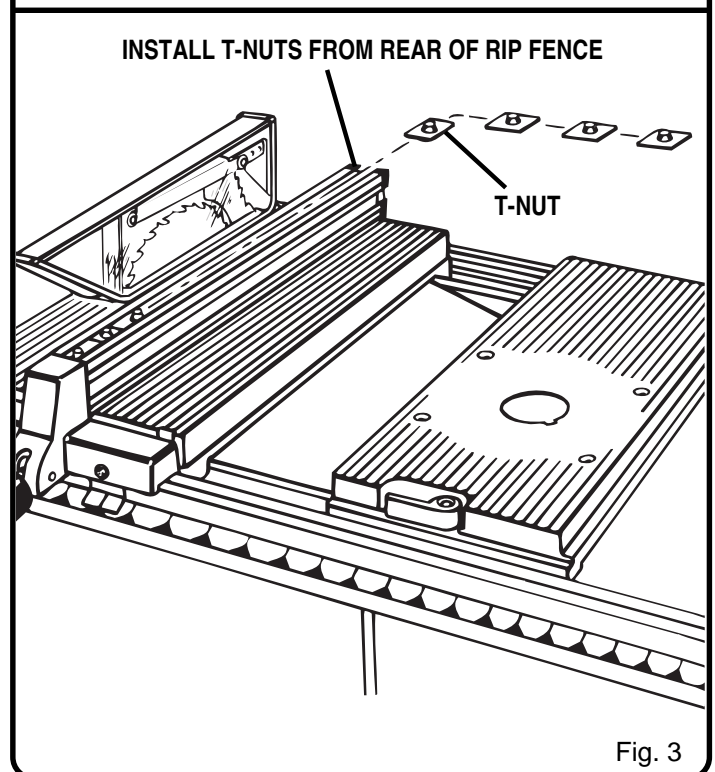


Fig. 3

ROUTER MOUNTING (Cont'd)

TO INSTALL GUIDE FENCE BRACKETS

See Figure 4.

1. Align each guide fence bracket with two of the special 5/16 in. T-nuts in channel on top of rip fence.
2. Secure guide fences to rip fence with 5/16 in. washers and 5/16 in. x 1/2 in. knob bolts supplied. **Note:** As shown in figure 4, center T-nut is not used with guide fences.

TO INSTALL POST

See Figure 4.

1. Place spacer provided on threaded end of post.
2. Thread post thru spacer into remaining 5/16 in. T-nut in top channel of rip fence.
3. Tighten post securely with an adjustable wrench. **Note:** Adjustable wrench will fit flats on top of post.

TO INSTALL DUST COVER AND PIVOT ASSEMBLY

See Figure 4.

1. Place dust cover and pivot assembly on post as shown in figure 4.
2. It will slide up and down post as needed. When desired location is achieved, secure it in place by tightening knob nut attached to carriage bolt.

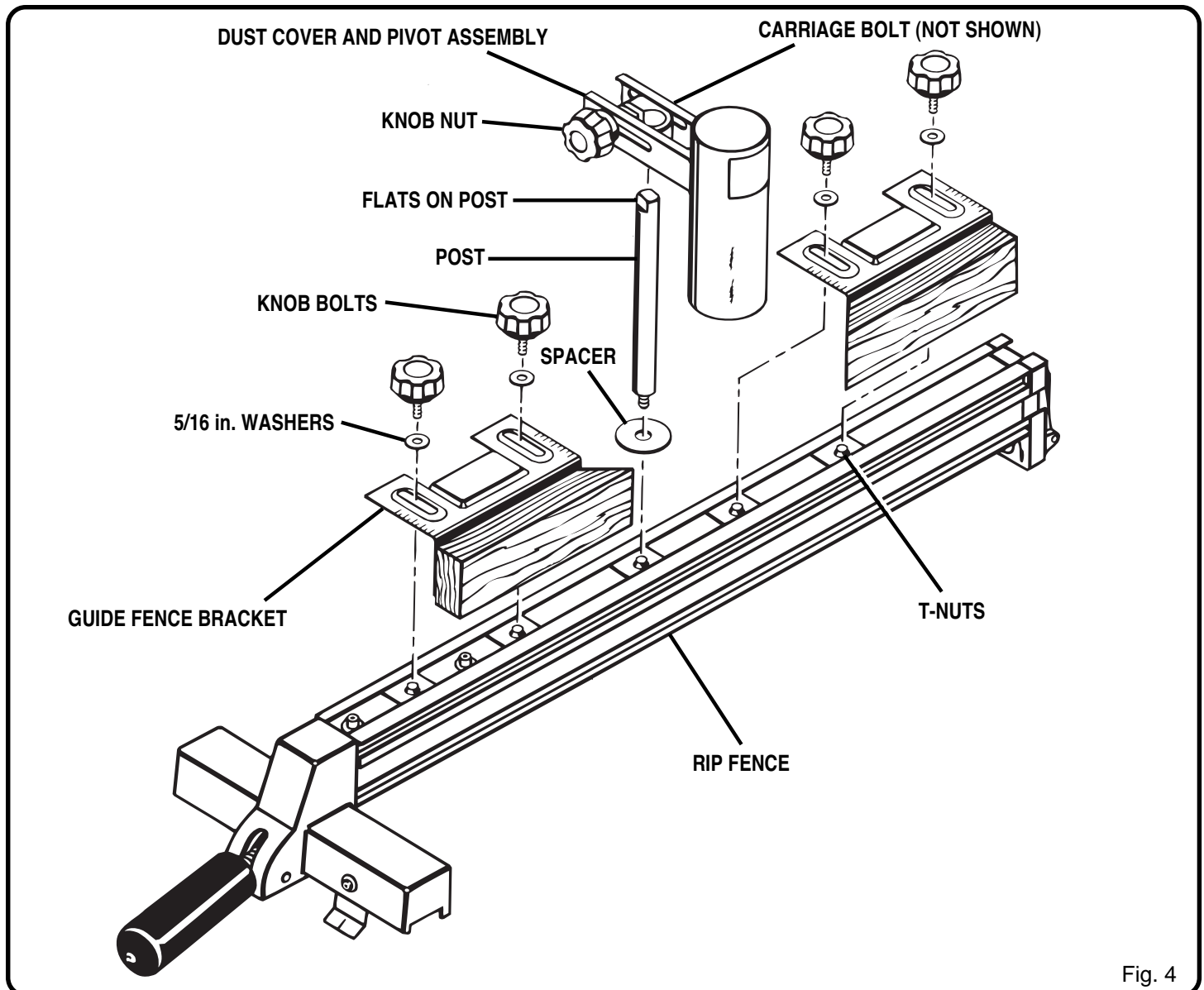


Fig. 4

ROUTER MOUNTING (Cont'd)

TO ASSEMBLE RE600 ELECTRONIC ROUTER TO ROUTER MOUNTING PLATE

See Figures 5 and 6.

1. Remove the subbase screws and subbase from your router.
2. Figure 5 illustrates the correct orientation of parts and pieces for mounting your router to its mounting plate.
3. Place router upside down on a workbench and align mounting plate holes with tapped holes in the base of your router.
4. The switch handle of router should be facing the squared end of mounting plate. See Figure 5.
5. Using the 8 mm flat head screws provided with your router, secure mounting plate to router.
6. Once properly assembled, your router and mounting plate assembly should be similar to the illustration shown in figure 6.
7. **Tighten screws securely.**

TO ASSEMBLE MOUNTING PLATE WITH ROUTER ATTACHED TO ACCESSORY TABLE

See Figure 7.

1. Place mounting plate under accessory table as shown in figure 7. **Note:** If desired you can remove accessory table, attach mounting plate with router, then reassemble complete assembly to your saw.
2. Secure mounting plate to accessory table using the four #1/4-20 x 1/2 in. flat head screws provided.
3. **Tighten screws securely.**

INSTALLING ROUTER BIT

Follow the instructions in the operator's manual of your router for this procedure. Install router bit and tighten securely in collet.



CAUTION:

Check to make sure it will not strike the accessory table or any metal surface.

TO ASSEMBLE THROAT PLATE

See Figure 7.

Orient the throat plate as shown in figure 7, align tab with slot in accessory table, then place throat plate in recessed area of accessory table. **Recheck router bit to make sure it will not strike the throat plate.**

TO ASSEMBLE TABLE CLAMPING BRACKET

See Figure 8.

The lever on the accessory table will tighten it securely to the front rail of your BT3000. However, the weight of your router and mounting plate, etc. may cause accessory table to be loose or have movement at the rear of the accessory table. To avoid this, install the table clamping bracket supplied with this kit. It can be used with a router mounted, with a jig saw mounted, or if desired it can be used with your BT3000 during normal use.

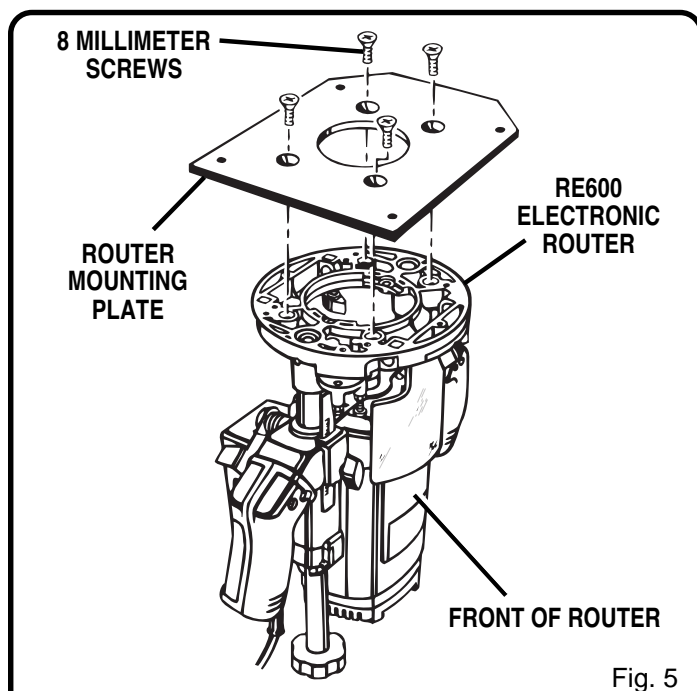


Fig. 5

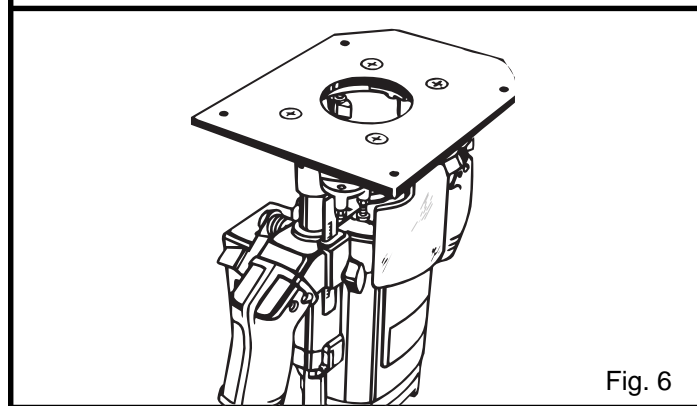


Fig. 6

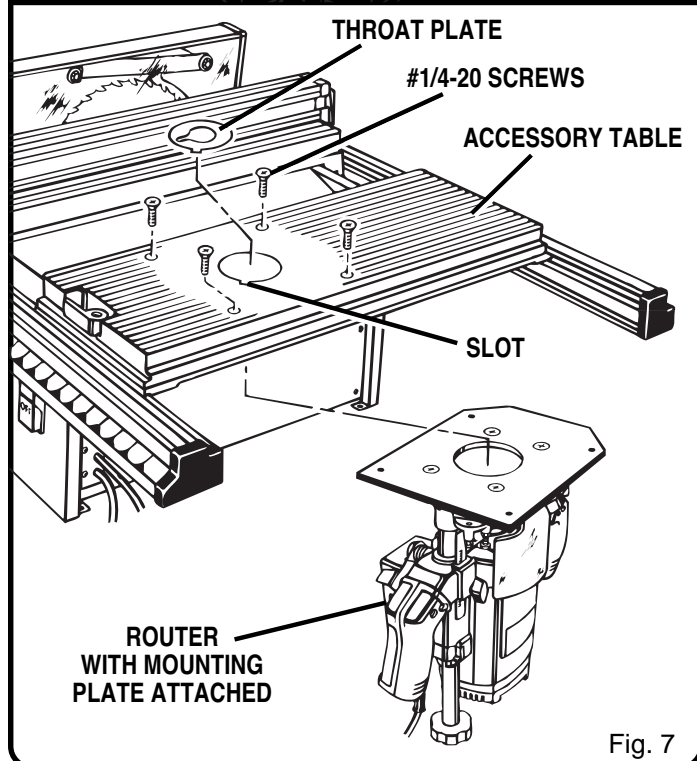


Fig. 7

ROUTER MOUNTING (Cont'd)

TO ASSEMBLE TABLE CLAMPING BRACKET (Cont'd)

1. Remove end cap from rear rail as shown in figure 8.
2. Slide one of the special 5/16 in. T-nuts into channel of rear rail.
3. Orient table clamping bracket as shown and secure with a 5/16 in. washer and 5/16-18 x 3/4 in. knob bolt.
Note: Table clamping bracket fits in bottom slot of rear rail. The slotted top of this bracket wraps around the raised portion on the underside of the accessory table, clamping it tightly against the rear rail.
4. **Tighten knob bolt securely.**
5. Reassemble end cap to rear rail.

FINAL ASSEMBLY

See Figure 9.

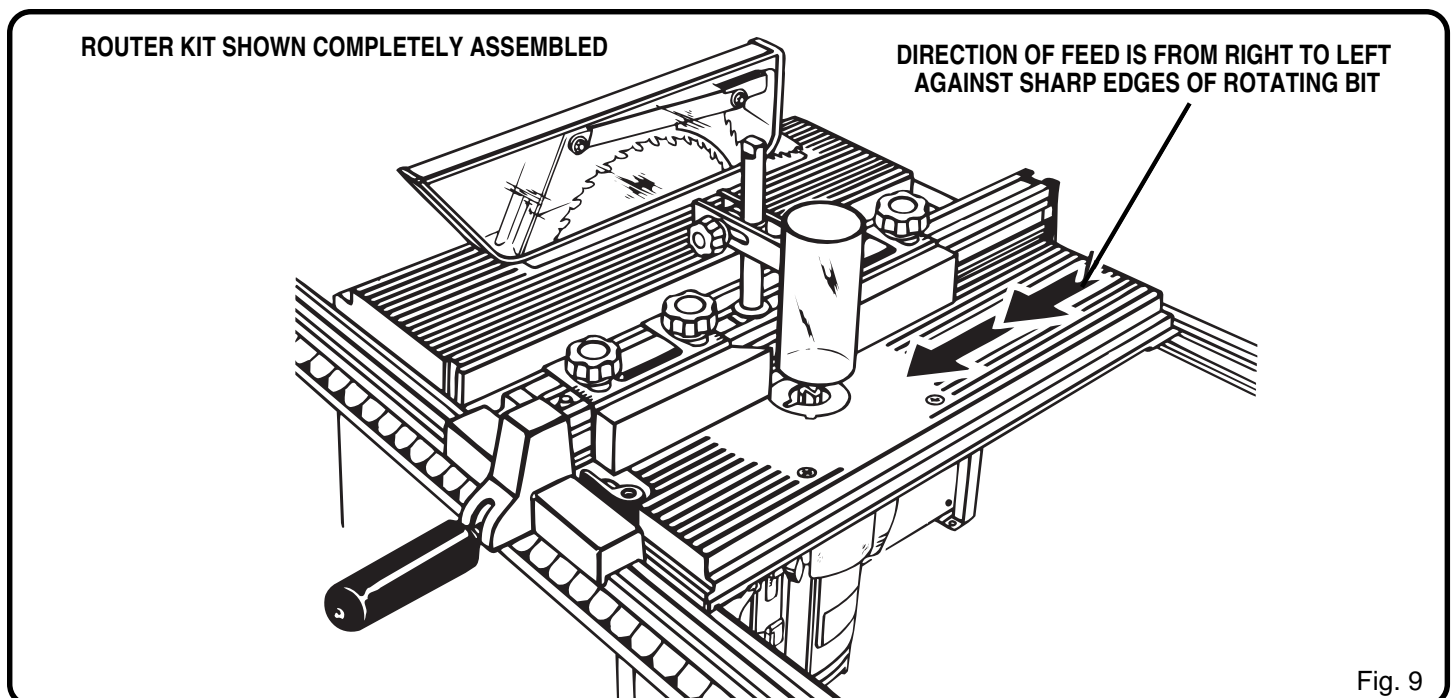
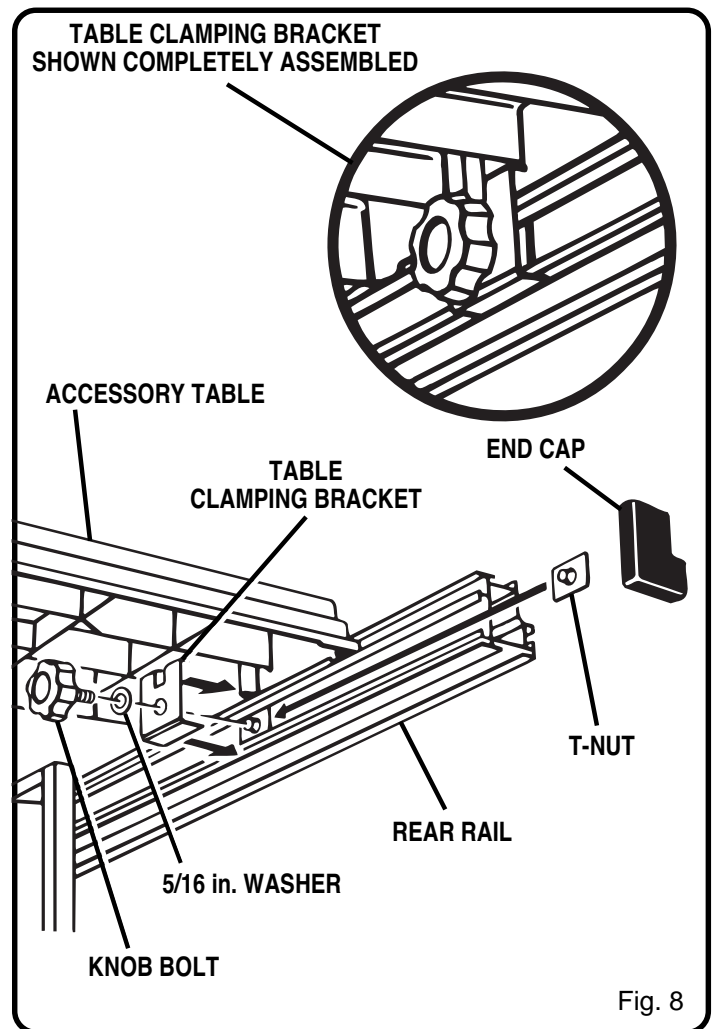
After all router mounting parts have been assembled, your set-up should be similar to the illustration shown in figure 9.

1. Compare your set-up to the set-up shown in figure 9 and make any necessary adjustments.
2. Recheck all knob bolts, loose parts, etc. and **securely tighten if necessary.**

PREPARING FOR OPERATION

See Figure 9.

1. Adjust dust cover so that it will not come in contact with workpiece during cutting operation.
2. **Direction of feed of workpiece is from right to left as shown by the arrow in figure 9.**
3. Direction of feed must always be so that the workpiece is being thrust against the sharp edges of rotating bit.
4. Workpiece must always be tight against guide fence. Infeed fence should be adjusted to support uncut workpiece while the outfeed fence should be adjusted properly to support the workpiece after the cut passes the router bit.



JIG SAW MOUNTING

When used for jig saw mounting, this kit can be used with all Ryobi jig saws, plus most other brands of jig saws. Proper mounting of the jig saw base to the clamping brackets will determine which saws will work. The jig saw must be mounted securely for safety.

TO ASSEMBLE JIG SAW TO MOUNTING PLATE

See Figure 10.

1. Figure 10 illustrates the correct orientation of parts and pieces for mounting your jig saw to its mounting plate.
2. The front of jig saw should be facing the squared end of mounting plate, while the rear of saw faces mitered corners.
3. The front clamping bracket (formed bracket) mounts on the squared end of mounting plate. Therefore, front clamping bracket will secure front of jig saw base to mounting plate.
4. The rear clamping bracket (flat bracket) mounts on the end with mitered corners and secures rear of jig saw base to mounting plate.

Hint:

5. Loosely attach front and rear clamping brackets to mounting plate using the #10-24 x 3/4 in. flat head screws provided. **Note:** Thread head of screws thru countersunk side of mounting plate.

6. Place mounting plate upside down on a flat workbench and position jig saw under front and rear clamping brackets. We suggest that you tilt your saw forward and slide front of base under front clamping bracket. Next, lower rear of jig saw down on mounting plate and place rear bracket on rear of saw base.

7. Carefully invert this set-up and snugly tighten clamping bracket screws.

TO ADJUST JIG SAW ON MOUNTING PLATE

See Figure 11.

1. Once properly assembled and adjusted, your jig saw and mounting plate assembly should be similar to the illustration shown in figure 11.
2. If adjustments are required, loosen clamping bracket screws and adjust jig saw as needed.
3. We suggest that you always begin by sliding screws to the rear of front slot in mounting plate and adjust as needed. This will prevent saw blade from coming in contact with the throat plate, mounting plate, accessory table, etc. when installed.
4. After all adjustments have been made, **tighten clamping bracket screws securely.**

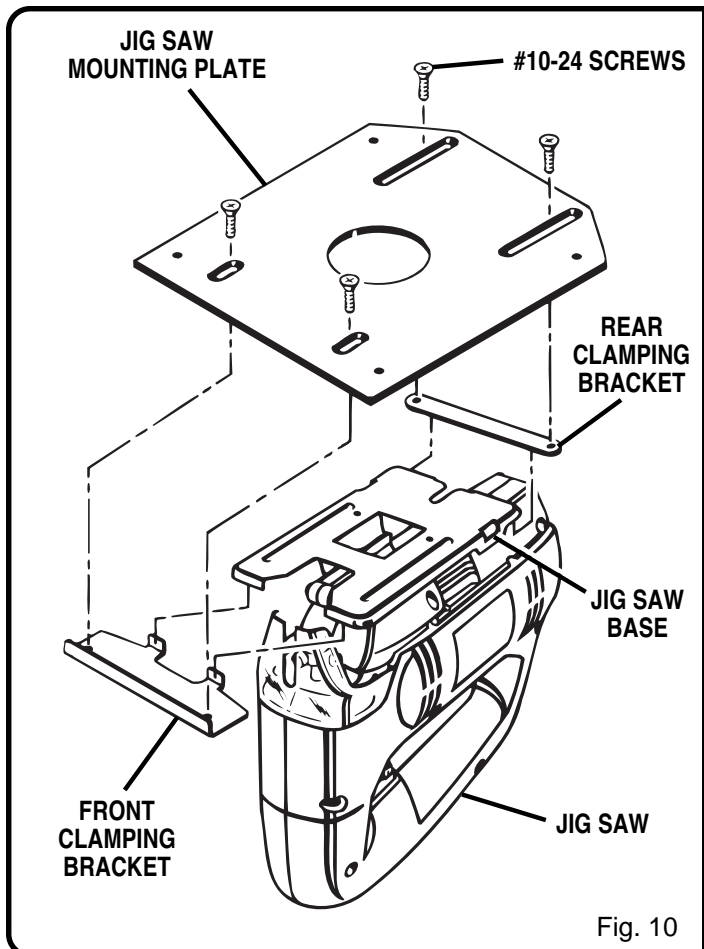


Fig. 10

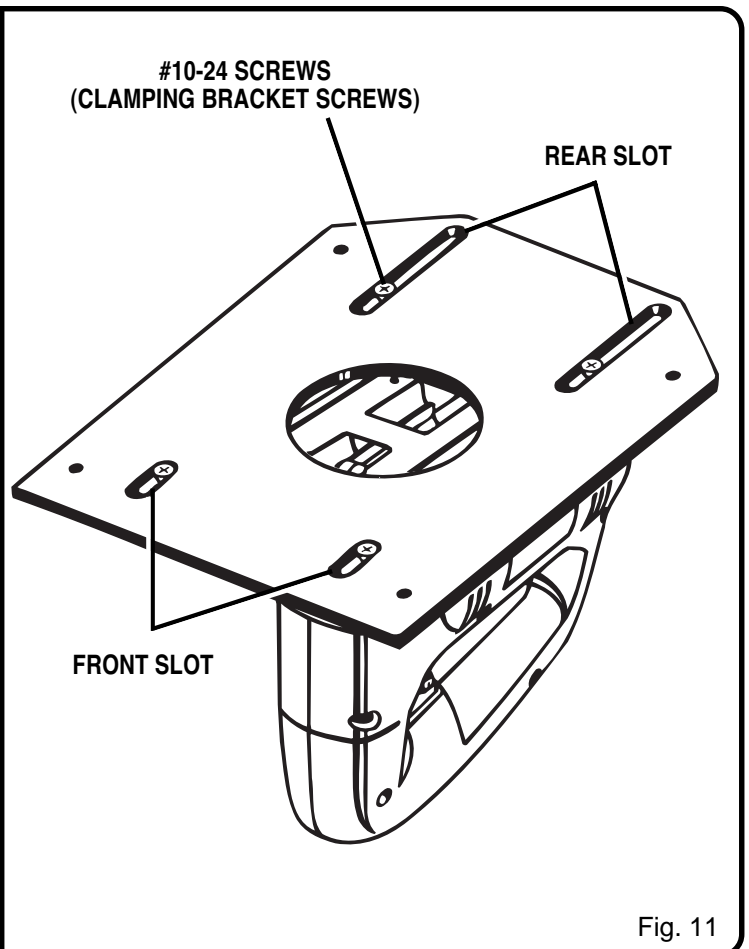


Fig. 11

JIG SAW MOUNTING (Cont'd)

TO ASSEMBLE MOUNTING PLATE WITH JIG SAW ATTACHED TO ACCESSORY TABLE

See Figure 12.

1. Place mounting plate under accessory table as shown in figure 12. **Note:** If desired you can remove accessory table, attach mounting plate with jig saw, then reassemble complete assembly to your saw.
2. Secure mounting plate to accessory table using the four #1/4-20 x 1/2 in. flat head screws provided.
3. **Tighten screws securely.**

INSTALLING SAW BLADE

Follow the instructions in the operator's manual of your jig saw for this procedure. Install the blade and tighten it securely.



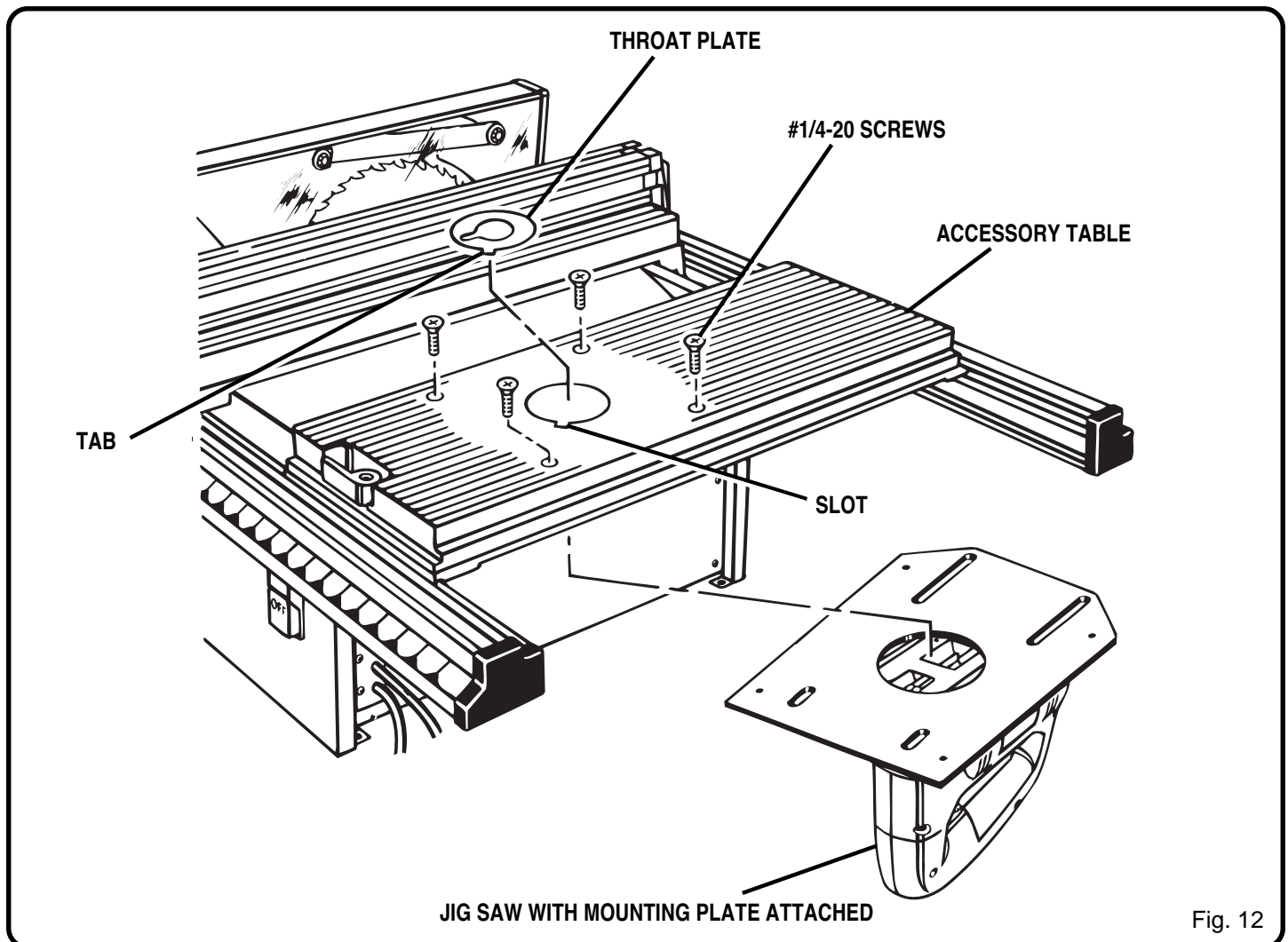
CAUTION:

Check to make sure it is not striking the accessory table or any metal surface.

TO ASSEMBLE THROAT PLATE

See Figure 12.

Orient the throat plate as shown in figure 12, align tab with slot in accessory table, then place throat plate in recessed area of accessory table. **Recheck the saw blade to make sure it will not strike the throat plate.**



REMEMBER:

The motor cord of your BT3000 saw should be unplugged from receptacle on side of cabinet; and the power supply cord of your router or jig saw should be plugged into receptacle. This will allow your router or jig saw to be controlled by the master switch of your saw.

CIRCLE CUTTING JIG

CIRCLE CUTTING

See Figures 13-16.

The circle cutting jig makes it possible to cut and shape circular patterns in both large and small stock. The smallest circle that can be made is approximately 8 in. in diameter.

Note: There are many variables that influence the size of a circle being cut or shaped. The set-up you make, the location of the circle cutting collar, whether you drill a hole and use the machine screw, or whether you use a wood screw are a few examples of factors that influence the size and shape of a circle.

CIRCLE CUTTING COLLAR

See Figures 13-16.

The circle cutting collar mounts on the bottom, center of workpiece, with either the machine screw and washer or the wood screw supplied. It then mounts on the sliding miter table in one of the two holes used for the locator pin on the bottom of miter fence (The operator's manual for your BT3000 refers to them as hole "A" and hole "B").

CIRCLE CUTTING SET-UP WITH MACHINE SCREW

See Figure 13.

To make set-up:

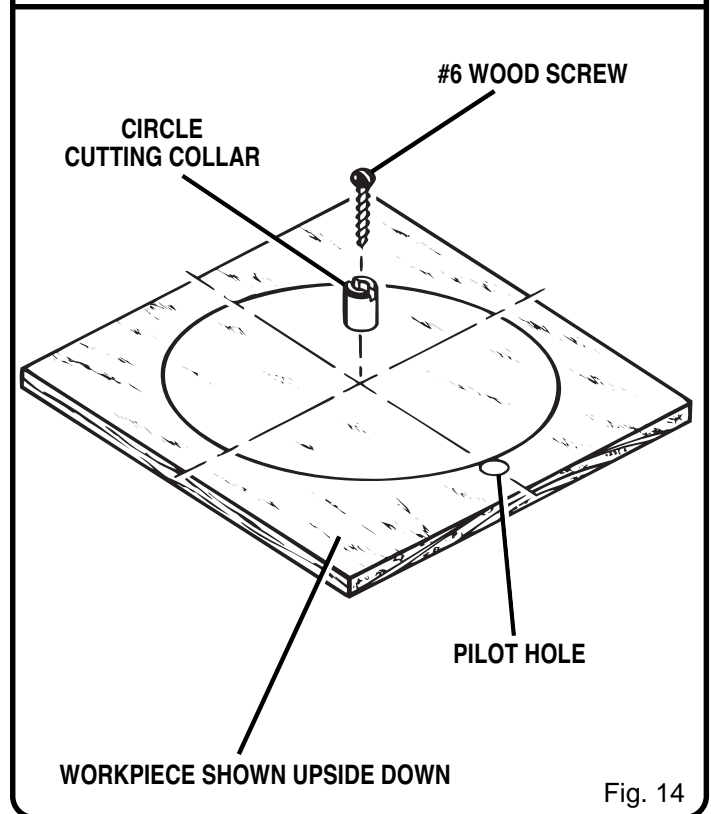
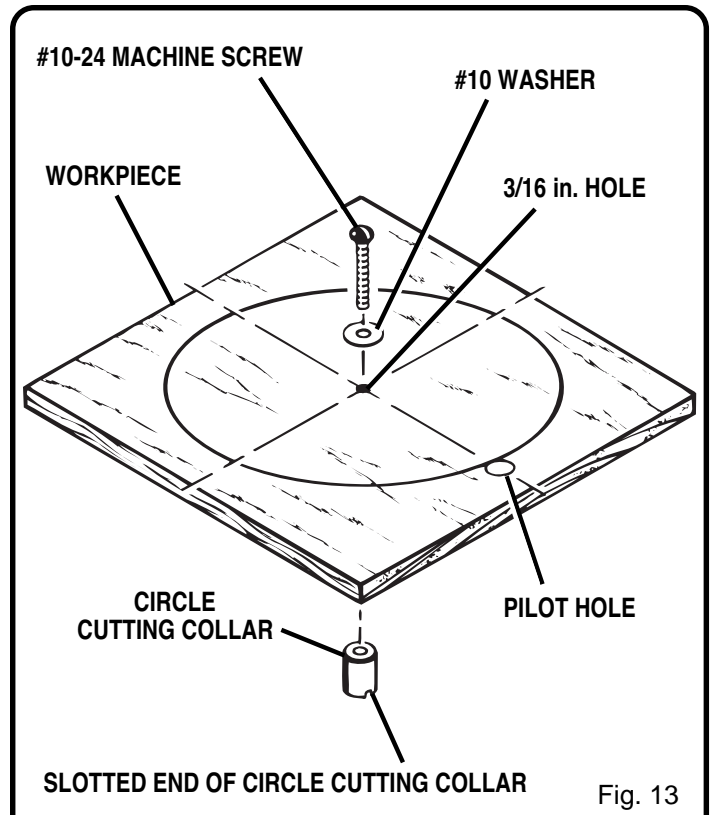
1. Drill a 3/16 in. hole in center of workpiece for machine screw.
2. Place the machine screw and washer thru the top of workpiece.
3. Secure to circle cutting collar on the bottom of workpiece.
Note: Slotted end of circle cutting collar should be turned away from workpiece as shown. A screwdriver can then be used to tighten screw securely.
4. If applicable, drill pilot hole in workpiece for jig saw blade or router bit.

CIRCLE CUTTING SET-UP WITH WOOD SCREW

See Figure 14.

To make set-up:

1. Place workpiece upside down on a flat workbench.
2. Locate center of workpiece as shown in figure 14.
3. Place #6 x 1 in. wood screw thru circle cutting collar and thread into bottom of workpiece. **Note:** Check thickness of workpiece before threading screw into workpiece. Be careful not to let screw penetrate top surface of thin workpieces.
4. If applicable, drill pilot hole in workpiece for jig saw blade or router bit.



CIRCLE CUTTING JIG (Cont'd)

TO PLACE WORKPIECE ON SAW TABLES

See Figure 15.

As mentioned previously there are many variables that influence a circle being cut or shaped. These variables must be considered when placing workpiece on saw tables to begin a cut. The sliding miter table and accessory table must both be used when making a cut or shaping. Also the rails may need to be adjusted, according to the application and size of the workpiece. For large workpieces, the sliding miter table may need to be placed on the left side of the saw blade. In these situations, the saw blade will need to be lowered below the table surface and the blade guard assembly removed. You will learn from experience how to best make these set-ups.

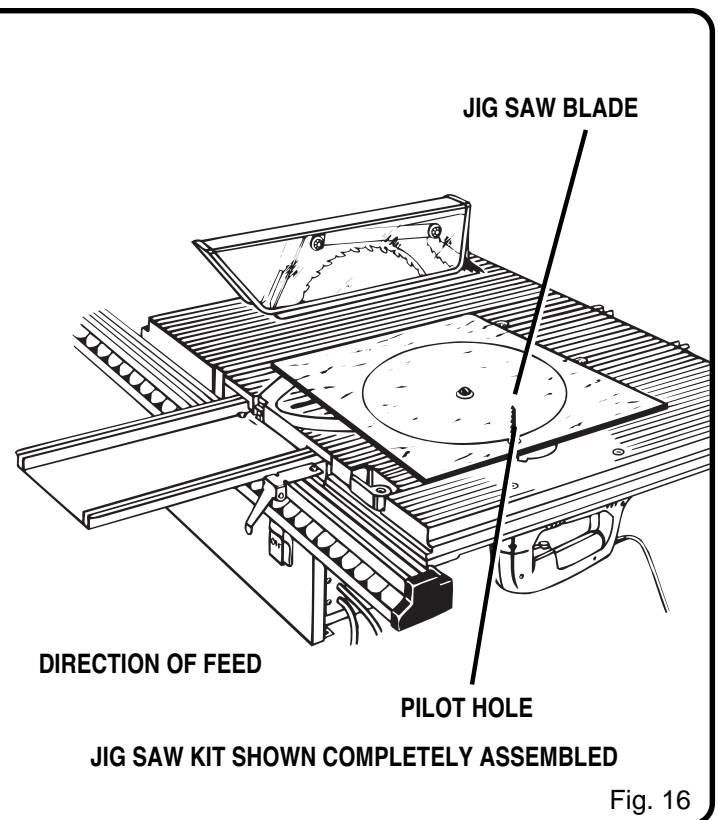
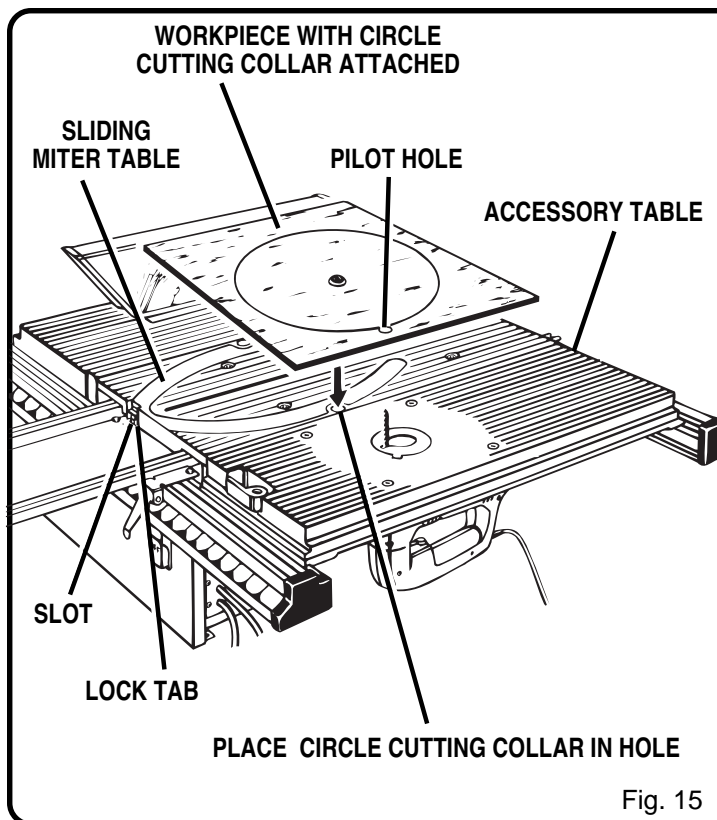
For illustration purposes, we have shown the sliding miter table beside the accessory table. The rails have been moved enough for both tables and the workpiece to fit on the right side of the saw blade.

1. Place workpiece with circle cutting collar attached on sliding miter table. Align the circle cutting collar with one of the holes in sliding miter table and place it in position. See Figure 15.
2. Adjust accessory table so that saw blade or router bit are aligned with pilot hole in workpiece.
3. **Securely tighten sliding miter table and accessory table to rails.**
4. Lock the sliding miter table by engaging the lock tab in the appropriate slot on the miter table base.

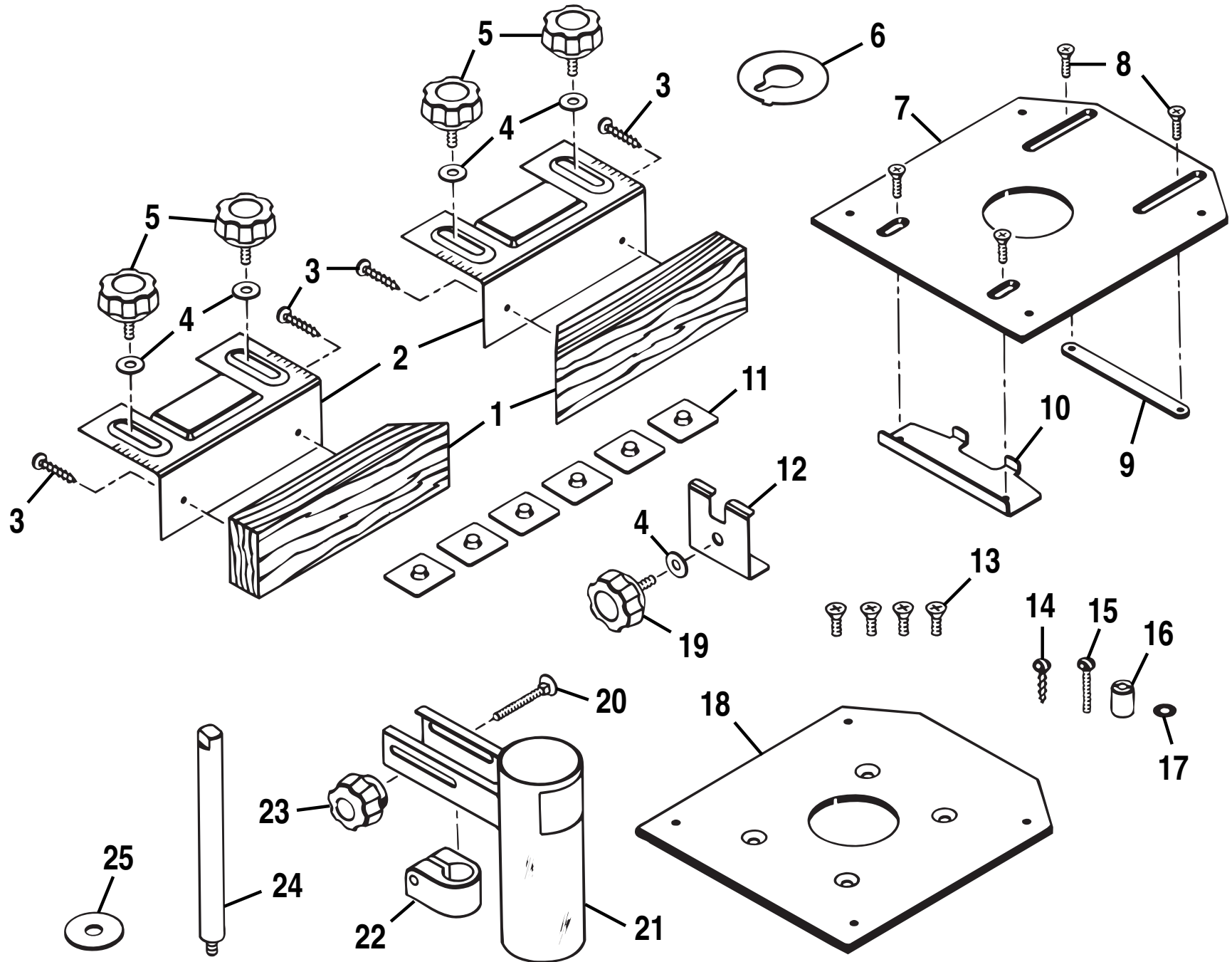
COMPLETED SET-UP FOR CIRCLE CUTTING

See Figure 16.

After completing set-up for circle cutting, it should be similar to the illustration shown in figure 16. Recheck all necessary steps. Also recheck screws, tables, etc. for tightness.



#4950300 ROUTER AND JIG SAW MOUNTING KIT



REPLACEMENT PARTS

Now that you have purchased your **Router and Jig Saw Mounting Kit**, should a need ever exist for repair parts or service, simply contact your nearest **Ryobi Authorized Service Center** or **other qualified service organization**. Be sure to provide all pertinent facts when you call or visit.

PARTS LIST

KEY NO.	DESCRIPTION	QUANTITY
1	Guide Block	2
2	Guide Fence	2
3	Wood Screw (#10 x 5/8 in. Round Hd.)	4
4	5/16 in. Washer	5
5	Knob Bolt (#5/16-18 x 1/2 in.)	4
6	Throat Plate	1
7	Jig Saw Mounting Plate	1
8	Screw (#10-24 x 3/4 in. Phillips Flat Hd.)	4
9	Rear Clamping Bracket for Jig Saw	1
10	Front Clamping Bracket for Jig Saw	1
11	5/16 in. T-Nut (Special)	6
12	Table Clamping Bracket	1
13	Screw (#1/4-20 x 1/2 in. Phillips Flat Hd.)	4
14	Wood Screw (#6 x 1 in. Round Hd.)	1
15	Screw (#10-24 x 1 in. Round Hd.)	1
16	Circle Cutting Collar with Slot	1
17	Washer (#10)	1
18	Router Mounting Plate	1
19	Knob Bolt (#5/16-18 x 3/4 in.)	1
20	Carriage Bolt (#1/4-20 x 1-9/16 in.)	1
21	Dust Cover with Decal	1
22	Dust Cover Pivot	1
23	Knob Nut (#1/4-20 x 1-3/4 in. Dia.)	1
24	Post	1
25	Spacer	1
	Operator's Manual	



OPERATOR'S MANUAL
#4950300 ROUTER AND JIG SAW MOUNTING KIT
(FOR USE WITH THE BT3000 TABLE SAW)

RYOBI TECHNOLOGIES INC.

1428 Pearman Dairy Road Anderson SC 29625
Post Office Box 1207 Anderson SC 29622-1207
Phone 1-800-525-2579