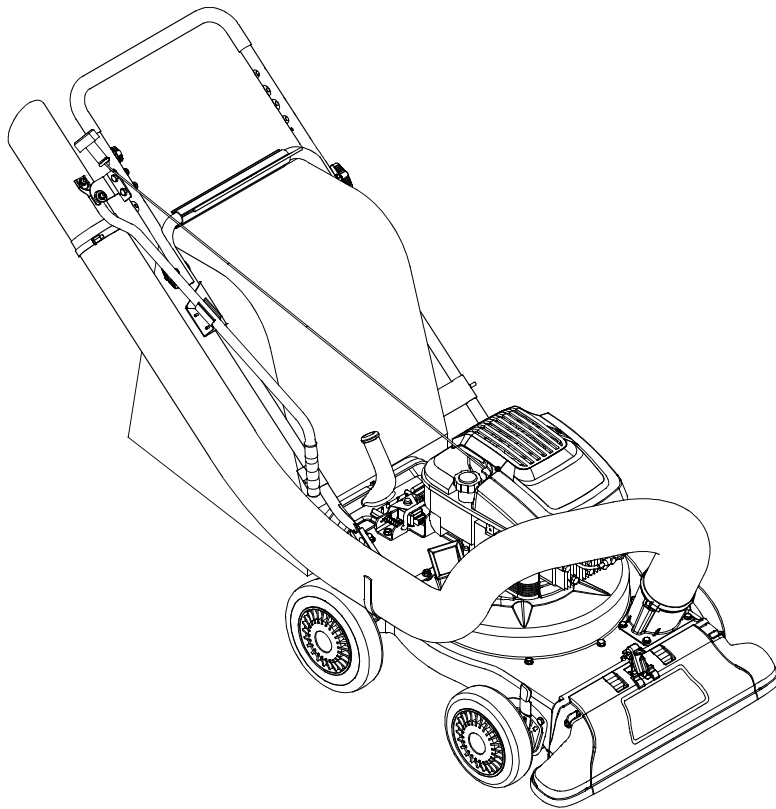




OPERATOR'S MANUAL



Yard Vacuum

Chipper/Shredder/
Vacuum/Hose

Model Number

247.770380

Factory Number

24A-060F402

IMPORTANT: READ SAFETY RULES AND INSTRUCTIONS CAREFULLY

Warning: This unit is equipped with an internal combustion engine and should not be used on or near any unimproved forest-covered, brush-covered or grass-covered land unless the engine's exhaust system is equipped with a spark arrester meeting applicable local or state laws (if any). If a spark arrester is used, it should be maintained in effective working order by the operator. In the State of California the above is required by law (Section 4442 of the California Public Resources Code). Other states may have similar laws. Federal laws apply on federal lands. A spark arrester for the muffler is available through your nearest engine authorized service dealer or contact the service department, P.O. Box 368022 Cleveland, Ohio 44136-9722.

MTD PRODUCTS INC. P.O. BOX 368022 CLEVELAND, OHIO 44136-9722

TABLE OF CONTENTS

Content	Page
Important Safe Operation Practices.....	3
Assembling Your Yard Vacuum	5
Know Your Yard Vacuum.....	7
Operating Your Yard Vacuum	8
Maintaining Your Yard Vacuum	10
Troubleshooting.....	13
Parts List.....	14


FINDING MODEL NUMBER

This Operator's Manual is an important part of your new Yard Vacuum. It will help you assemble, prepare and maintain the unit for best performance. Please read and understand what it says.



Before you start assembling your new equipment, please locate the model plate on the equipment and copy the information from it in the space provided below. The information on the model plate is very important if you need help from our Customer Support Department or an authorized dealer.

- You can locate the model number by looking down at the rear of the Yard Vacuum. A sample model plate is explained below. For future reference, please copy the model number and the serial number of the equipment in the space below.

_____	_____
(Model Number)	(Serial Number)
 MTD PRODUCTS INC CLEVELAND, OHIO 44136	

Copy the model number here: _____

Copy the serial number here: _____

ENGINE INFORMATION

The engine manufacturer is responsible for all engine-related issues with regards to performance, power-rating, specifications, warranty and service. Please refer to the engine manufacturer's Owner's/Operator's Manual packed separately with your unit for more information.

CALLING CUSTOMER SUPPORT

If you have difficulty assembling this product or have any questions regarding the controls, operation or maintenance of this unit, please call the Customer Support Department.



Call **1- (330) 220-4MTD (4683)** or **1- (800)-800-7310** to reach a Customer Support representative. Please have your unit's model number and serial number ready when you call. See previous section to locate this information. You will be asked to enter the serial number in order to process your call.

For more details about your unit, visit our website at www.yardman.com

SECTION 1: IMPORTANT SAFE OPERATION PRACTICES



WARNING: This symbol points out important safety instructions which, if not followed, could endanger the personal safety and/or property of yourself and others. Read and follow all instructions in this manual before attempting to operate this machine. Failure to comply with these instructions may result in personal injury. When you see this symbol - **heed its warning**.



WARNING: Engine Exhaust, some of its constituents, and certain vehicle components contain or emit chemicals known to State of California to cause cancer and birth defects or other reproductive harm.

DANGER: This machine was built to be operated according to the rules for safe operation in this manual. As with any type of power equipment, carelessness or error on the part of the operator can result in serious injury. This machine is capable of amputating hands and feet and throwing objects. Failure to observe the following safety instructions could result in serious injury or death.

TRAINING

1. Read, understand, and follow all instructions on the machine and in the manual(s) before attempting to assemble and operate. Keep this manual in a safe place for future and regular reference and for ordering replacement parts.
 2. Be familiar with all controls and their proper operation. Know how to stop the machine and disengage them quickly.
 3. Never allow children under 16 years old to operate this machine. Children 16 years old and over should read and understand the operation instructions and safety rules in this manual and should be trained and supervised by a parent.
 4. Never allow adults to operate this machine without proper instruction.
 5. Keep bystanders, helpers, pets, and children at least 75 feet from the machine while it is in operation. Stop machine if anyone enters the area.
 6. Never run an engine indoors or in a poorly ventilated area. Engine exhaust contains carbon monoxide, an odorless and deadly gas.
 7. Do not put hands and feet near rotating parts or in the feeding chambers and discharge opening. Contact with the rotating impeller can amputate fingers, hands, and feet.
 8. Never attempt to unclog either the feed intake or discharge opening, remove or empty vacuum bag, or inspect and repair the machine while the engine is running. Shut the engine off and wait until all moving parts have come to a complete stop. Disconnect the spark plug wire and ground it against the engine.
2. Always wear safety glasses or safety goggles during operation or while performing an adjustment or repair, to protect eyes. Thrown objects which ricochet can cause serious injury to the eyes.
 3. Wear sturdy, rough-soled work shoes and close-fitting slacks and shirts. Loose fitting clothes or jewelry can be caught in movable parts. Never operate this machine in bare feet or sandals. Wear leather work gloves when feeding material in the chipper chute.
 4. Before starting, check all bolts and screws for proper tightness to be sure the machine is in safe working condition. Also, visually inspect machine for any damage at frequent intervals.
 5. Maintain or replace safety and instructions labels, as necessary.
 6. To avoid personal injury or property damage use extreme care in handling gasoline. Gasoline is extremely flammable and the vapors are explosive. Serious personal injury can occur when gasoline is spilled on yourself or your clothes which can ignite. Wash your skin and change clothes immediately.
 - a. Use only an approved gasoline container.
 - b. Extinguish all cigarettes, cigars, pipes, and other sources of ignition.
 - c. Never fuel machine indoors.
 - d. Never remove gas cap or add fuel while the engine is hot or running.
 - e. Allow engine to cool at least two minutes before refueling.
 - f. Never over fill fuel tank. Fill tank to no more than 1/2 inch below bottom of filler neck to provide space for fuel expansion.
 - g. Replace gasoline cap and tighten securely.
 - h. If gasoline is spilled, wipe it off the engine and equipment. Move machine to another area. Wait 5 minutes before starting the engine.

PREPARATION

1. Thoroughly inspect the area where the equipment is to be used. Remove all rocks, bottles, cans, or other foreign objects which could be picked up or thrown and cause personal injury or damage to the machine.

- i. Never store the machine or fuel container inside where there is an open flame, spark, or pilot light (e.g. furnace, water heater, space heater, clothes dryer, etc.)
- j. To reduce a fire hazard, keep machine free of grass, leaves, or other debris build-up. Clean up oil or fuel spillage and remove any fuel soaked debris.
- k. Allow machine to cool at least 5 minutes before storing.

OPERATION

1. Do not put hands and feet near rotating parts or in the feeding chambers and discharge opening. Contact with the rotating impeller can amputate fingers, hands, and feet.
2. Before starting the machine, make sure the chipper chute, feed intake, and cutting chamber are empty and free of all debris.
3. Thoroughly inspect all material to be shredded and remove any metal, rocks, bottles, cans, or other foreign objects which could cause personal injury or damage to the machine.
4. If the impeller strikes a foreign object or if your machine should start making an unusual noise or vibration, immediately shut the engine off. Allow the impeller to come to a complete stop. Disconnect the spark plug wire, ground it against the engine and perform the following steps:
 - a. Inspect for damage.
 - b. Repair or replace any damaged parts.
 - c. Check for any loose parts and tighten to assure continued safe operation.
5. Do not allow an accumulation of processed material to build up in the discharge area. This can prevent proper discharge and result in kickback of material through the feed opening.
6. Do not attempt to shred or chip material larger than specified on the machine or in this manual. Personal injury or machine damage could result.
7. Never attempt to unclog either the feed intake or discharge opening while the engine is running. Shut the engine off, wait until all moving parts have stopped, disconnect the spark plug wire and ground it against the engine before clearing debris.
8. Never operate without vacuum bag and discharge chute properly attached to the machine. Never empty or change vacuum bag while the engine is running. Zippered end of vacuum bag must be kept closed at all times during operation.

9. Never operate without either the inlet nozzle or optional hose attachment properly attached to the machine. Never attempt to attach or change either attachment while the engine is running.
10. Keep all guards, deflectors and safety devices in place and operating properly.
11. Keep your face and body back and to the side of the chipper chute while feeding material into the machine to avoid accidental kickback injuries.
12. Never operate this machine without good visibility or light. Always be sure of your footing and keep a firm hold on the handles.
13. Do not operate this machine on a gravel surface.
14. Do not operate this machine while under the influence of alcohol or drugs.
15. Muffler and engine become hot and can cause a burn. Do not touch.
16. Never pick up or carry machine while the engine is running.

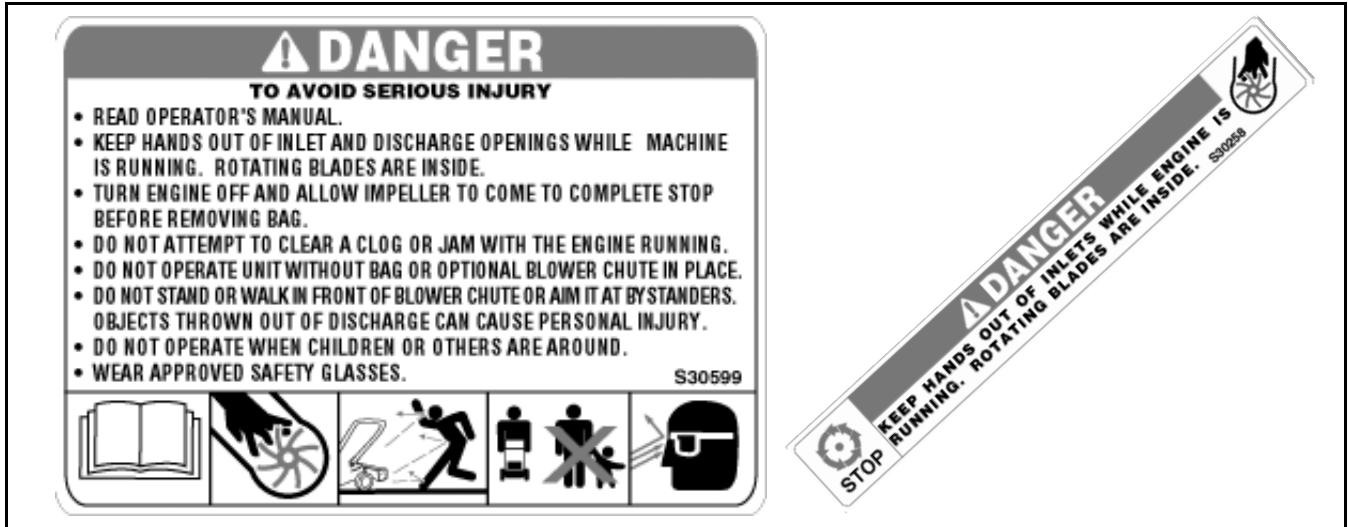
MAINTENANCE AND STORAGE

1. Never tamper with safety devices. Check their proper operation regularly.
2. Check bolts and screws for proper tightness at frequent intervals to keep the machine in safe working condition. Also, visually inspect machine for any damage and repair, if needed.
3. Before cleaning, repairing, or inspecting, stop the engine and make certain the impeller and all moving parts have stopped. Disconnect the spark plug wire and ground it against the engine to prevent unintended starting.
4. Do not change the engine governor settings or overspeed the engine. The governor controls the maximum safe operating speed of the engine.
5. Maintain or replace safety and instruction labels, as necessary.
6. Follow this manual for safe loading, unloading, transporting, and storage of this machine.
7. Never store the machine or fuel container inside where there is an open flame, spark or pilot light such as a water heater, furnace, clothes dryer, etc.
8. Always refer to the operator's manual for proper instructions on off-season storage.
9. If the fuel tank has to be drained, do this outdoors.
10. Observe proper disposal laws and regulations for gas, oil, etc. to protect the environment.



WARNING - YOUR RESPONSIBILITY: Restrict the use of this power machine to persons who read, understand and follow the warnings and instructions in this manual and on the machine.

NOTE: Not all safety labels may apply to your Yard Vacuum.



SECTION 2: ASSEMBLING YOUR YARD VACUUM

IMPORTANT: This unit is shipped without gasoline or oil in the engine. Be certain to service engine with gasoline and oil as instructed in the separate engine manual before operating your machine.

NOTE: Reference to right or left hand side of the Yard Vacuum is observed from the operating position.

Removing Unit From Carton

- Remove staples, break glue on top flaps, or cut tape at carton end and peel along top flap to open carton.
- Remove loose parts if included with unit (i.e., operator's manual, etc.)
- Cut along corners, lay carton down flat, and remove packing material.
- Roll or slide unit out of carton and check carton thoroughly for loose parts.

Loose Parts In Carton (See Figure 1)

- Handle Assembly
- Bag
- Blower Chute
- Hose Assembly

Disconnecting Spark Plug Wire

Before setting up your Yard Vacuum, disconnect the spark plug wire from the spark plug and ground to a stud on the engine.

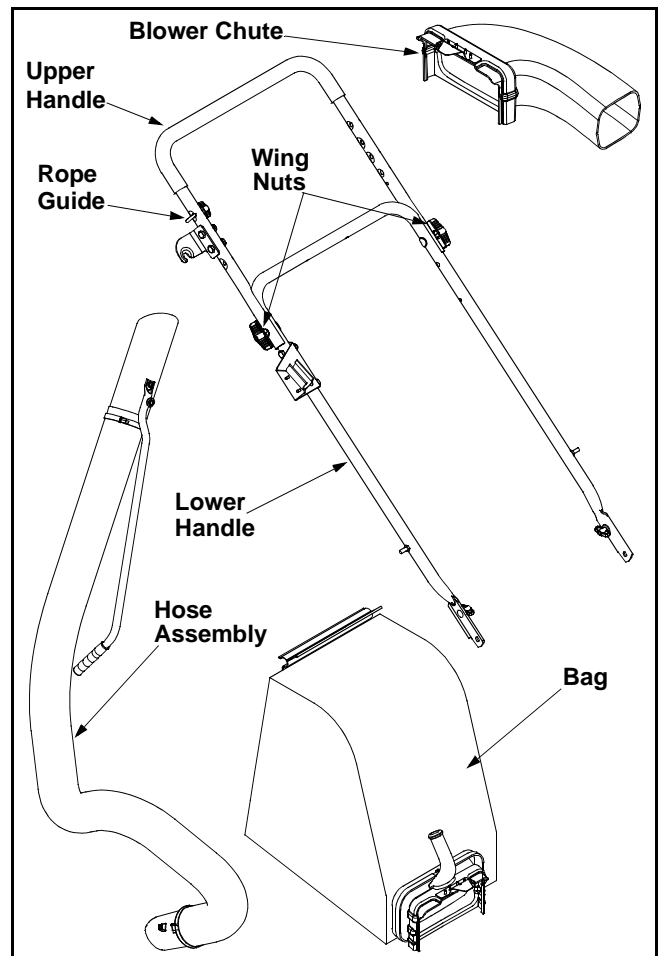


Figure 1

Attaching The Handle

- Unfold the upper handle until it aligns with the lower handle.
- Secure the two handles by tightening the wing nuts (carriage bolts must be seated properly into the handle). See Figure 1
- Remove the hairpin clips from the handle brackets on the Yard Vacuum and remove the carriage bolts and wing nuts from the lower handle. See Figure 2.
- Place the bottom holes in lower handle over pins on handle brackets and secure with hairpin clips.
- Insert carriage bolts through upper hole in lower handle from the outside and secure with wing nuts.

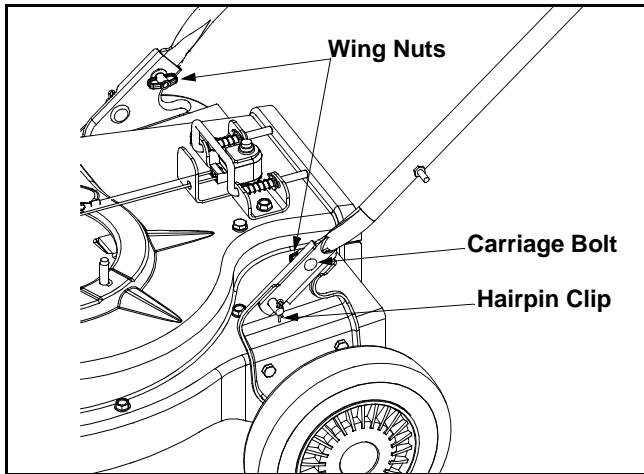


Figure 2

- Loosen the wing nut that secures the rope guide to the right side of upper handle.
- Pull the starter rope out of the engine slowly and slip the starter rope into the rope guide. Tighten the wing nut.

Attaching The Hose Assembly

- Slide hose adapter of hose assembly into the base adapter located on the left front of the Yard Vacuum. See Figure 3.
- Pull spring loaded pin out on the base and align pin with the first hole in the hose adapter.
- Release the pin to lock the hose in place.
- Connect the hose handle near nozzle end of hose to the side bracket on the upper handle. Refer to Figure 6.
- Snap hose handle to the lower handle bracket to secure in place and lay hose tubing on side bracket hanger next to chopper chute. Refer to Figure 6.

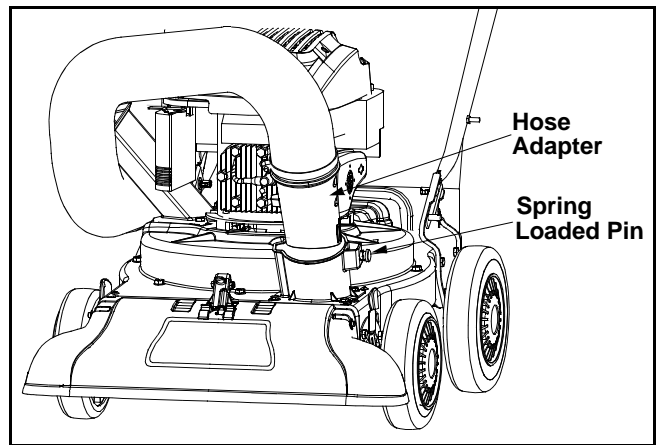


Figure 3

Attaching The Bag

- Grasp bag handle with one hand and slide locking rod on mounting bracket with other hand toward engine. Use the end of mounting bracket as leverage when sliding the locking rod. See Figure 4.
- Slip bag over the rim of the discharge opening and release locking rod to secure bag in place.
- Place the straps on the bag **over** the lower handle, hooking them on the studs.
- Snap bag clip to the top of the lower handle.

NOTE: The safety switch button attached to the mounting bracket must be fully depressed by the front tab on the bag handle when securing the bag or the engine will not start.

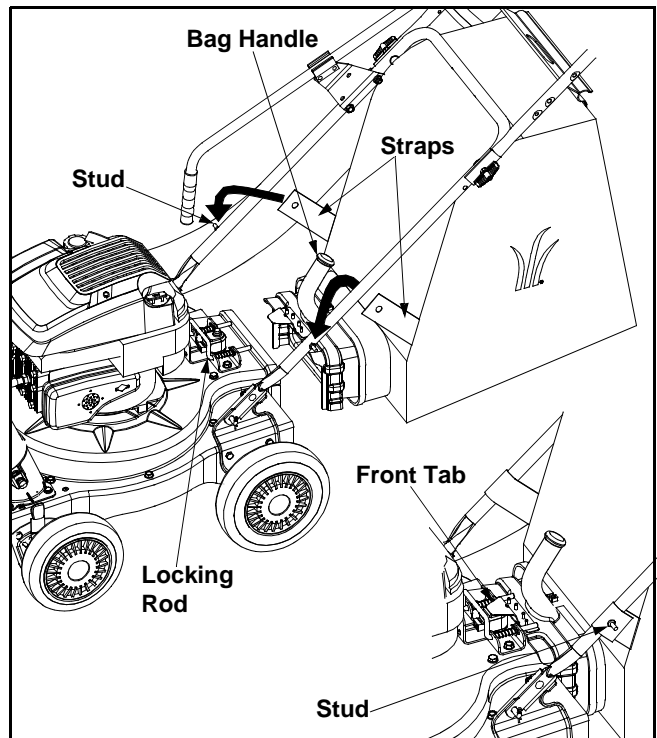


Figure 4

Attaching The Blower Chute

- Grasp blower chute with one hand and slide locking rod on mounting bracket with other hand toward engine. Use end of mounting bracket as leverage when sliding the locking rod. See Figure 5.
- Slip blower chute over rim of the discharge opening and release locking rod to secure chute in place. Make sure the safety switch button is fully depressed by the front tab on the blower chute.
- Raise the nozzle height to the highest setting when using the blower chute. Refer to nozzle height adjustment in the OPERATION section.

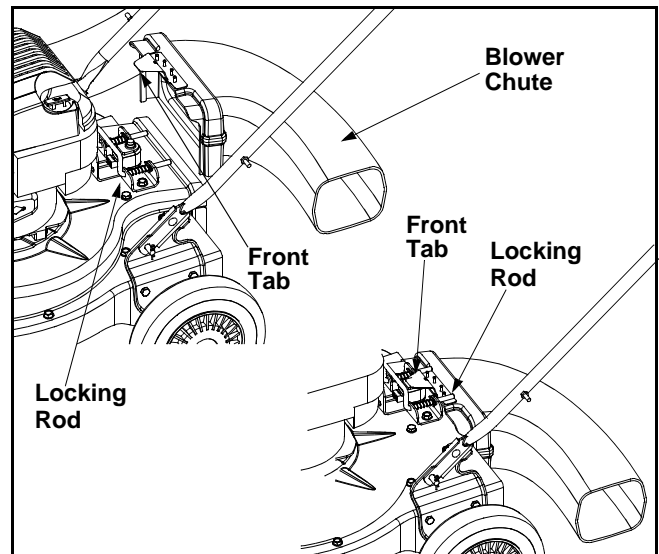


Figure 5

SECTION 3: KNOW YOUR YARD VACUUM

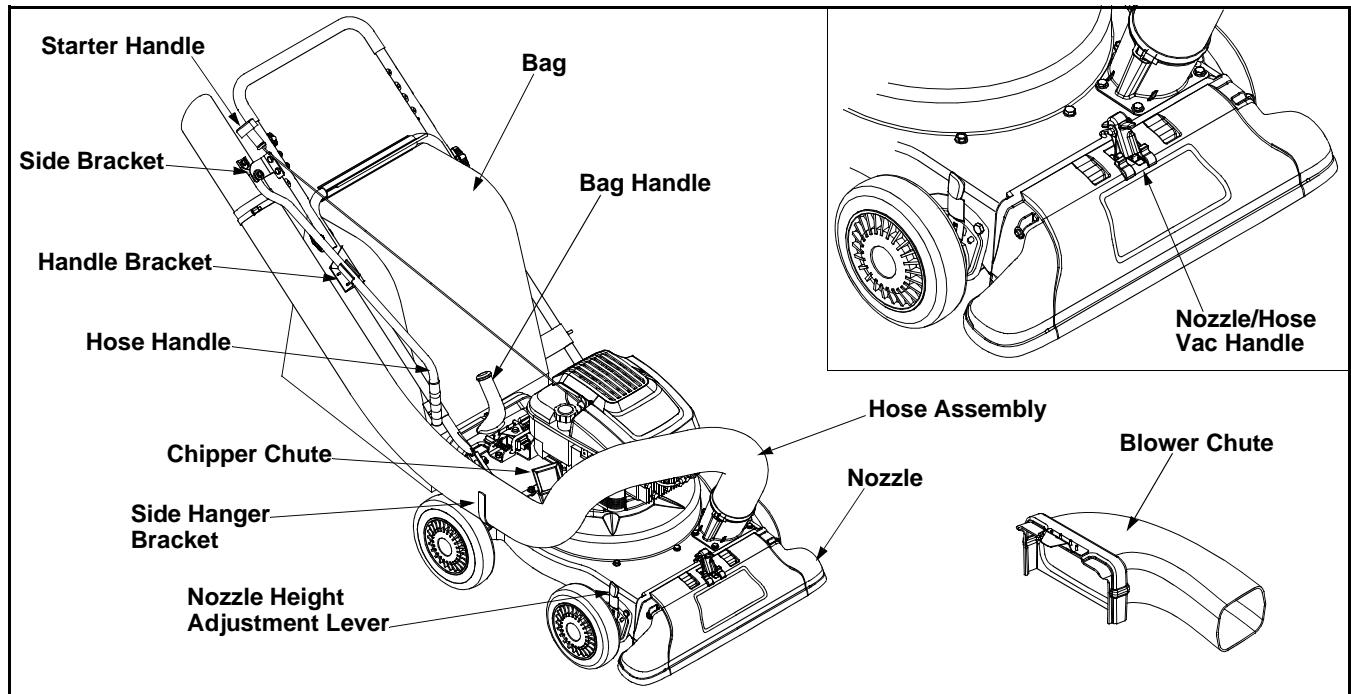


Figure 6

Read this operator's manual and safety rules before operating your Yard Vacuum. Compare the illustrations in Figure 6 with your unit to familiarize yourself with the location of various controls and adjustments.



WARNING: The operation of any Yard Vacuum can result in foreign objects being thrown into the eyes, which can result in severe eye damage. Always wear safety glasses, provided with the Yard Vacuum, for operating this equipment or while performing any adjustments or repairs on it.

Starter Handle

The starter handle is attached to the right upper handle. Stand behind unit and pull the starter handle to start engine.

Bag

Collects shredded material fed through the chipper chute or vacuumed through the nozzle or hose.

Bag Handle

Used to grasp bag in order to assist in attaching, removing, and emptying bag.

Chipper Chute

Allow twigs and small branches up to 1 1/2" in diameter to be fed into the impeller for chipping.

Blower Chute

When attached to unit the blower chute is used to blow or scatter yard waste such as leaves, pine needles, or small twigs across yard.

Nozzle Height Adjustment Lever

Used to adjust the nozzle ground clearance ranging approximately 5/8" to 4 1/8".

Nozzle

Yard waste such as leaves or pine needles can be vacuumed up through the nozzle for shredding.

Hose Assembly

Used as an alternative to the nozzle to vacuum yard waste such as leaves or pine needles in hard to reach places.

Hose Handle

Used to guide hose assembly when vacuuming.

Nozzle/Hose Vac Handle

The nozzle/hose vac handle is located on top of the nozzle and it is used to regulate the vacuum between the nozzle and the hose assembly.

Throttle Control Lever (Not Shown)

The throttle control lever is located on the engine. It controls the engine's speed and stops the engine. See separate engine manual packed with unit for details.

Engine Controls

See the separate engine manual for the location and function of the controls on the engine.

Stopping Engine

- Move throttle control lever to STOP or OFF position.
- Disconnect spark plug wire from spark plug and ground against the engine.

SECTION 4: OPERATING YOUR YARD VACUUM



WARNING: The operation of the Yard Vacuum can result in foreign objects being thrown into the eyes, which can damage your eyes severely. Always wear the safety glasses provided with this unit or eye shields before chipping or blowing and while performing any adjustments or repairs.

Gas And Oil Fill-Up

Service the engine with gasoline and oil as instructed in the separate engine manual packed with your Yard Vacuum. Read instructions carefully.



WARNING: Never fill fuel tank indoors with engine running or until the engine has been allowed to cool for at least two minutes after running.

Starting Engine

- Attach spark plug wire to spark plug. Make certain the metal cap on the end of the spark plug is fastened securely over the metal tip on the spark plug.
- Make sure safety switch wire is connected to engine and properly grounded.
- **Engines with choke lever:** Move choke lever on engine to CHOKE position. (A warm engine may not require choking).

- **Engines with primer:** Prime engine as instructed in separate engine manual.
- The throttle control is located on the engine. Move engine throttle control lever to FAST or ON position.
- Stand behind unit, grasp starter handle and pull rope out slowly until engine reaches start of compression cycle (rope will pull slightly harder at this point).
- Pull rope with a rapid, continuous, full arm stroke. Keep a firm grip on starter handle. Let rope rewind slowly.
- Repeat previous steps until engine fires. When engine starts, move choke control (if equipped) gradually to RUN position.



WARNING: Never run the engine indoors or in a poorly ventilated area. Engine exhaust contains carbon monoxide, an odorless and deadly gas.

To Empty Bag

- Unhook bag straps from the lower handle and unsnap bag clip from the top of lower handle. See Figure 7.
- Grasp bag handle with one hand and pull lock rod on mounting bracket with other hand toward engine to release.
- Remove bag from rim of the discharge opening. Refer to Figure 4.
- Twist the two buttons on the back of the bag to unlock and empty contents. See Figure 7.

- Hold bag handle and bag clip while emptying the contents.
- Compress bag opening and fold inner flap over opening.
- Fold outer flap over inner flap and insert buttons on the bag through metal outlets.
- Twist the buttons to lock bag.

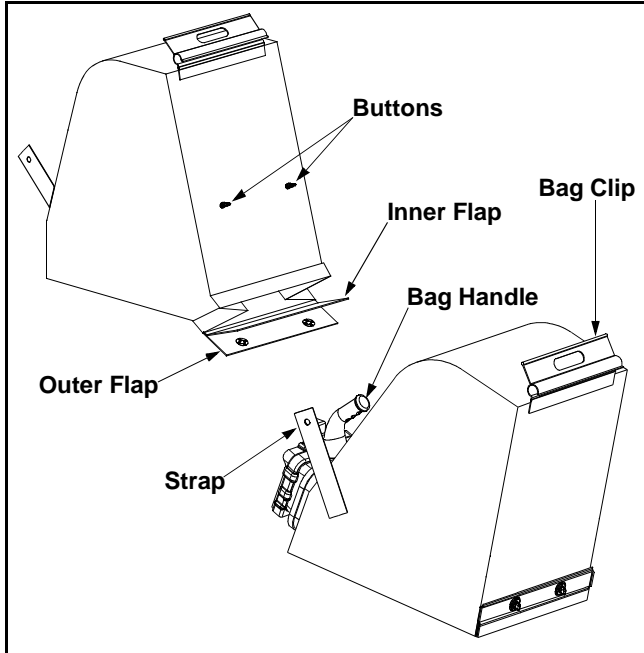


Figure 7

To Remove Blower Chute

- Grasp blower chute with one hand and pull lock rod on mounting bracket with other hand toward engine to release. Refer to Figure 5.
- Remove blower chute from rim of the discharge opening.

Using the Nozzle Vacuum

- Place nozzle/hose vac handle in the top position on the nozzle to vacuum through nozzle. See Figure 8.
- The spring loaded pin must be in the first hole of the hose adapter to operate the nozzle vac.
- Place both hands on top of upper handle to push unit over yard waste.

Yard waste such as leaves and pine needles can be vacuumed up through the nozzle for shredding. After material has been shredded by the flail blades on the impeller assembly, it will be discharged into catcher bag or through blower chute. Do not attempt to shred or chip any material other than vegetation found in a normal yard (i.e. branches, leaves, twigs, etc.) Avoid fibrous plants such as tomato vines until they are thoroughly dried out. Materials such as stalks or heavy branches up to 1 1/2" in diameter may be fed into the chipper chute.

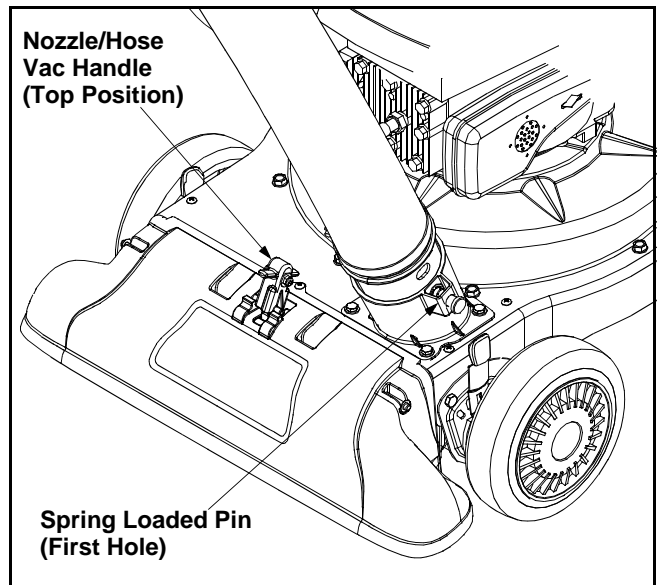


Figure 8

IMPORTANT: The flail screen is located inside the housing in the discharge area. If the flail screen becomes clogged, remove and clean as instructed in SECTION 5: MAINTAINING YOUR YARD VACUUM. For best performance, it is also important to keep the chipper blade sharp.



WARNING: Do not at any time make any adjustments without first stopping engine and disconnecting spark plug wire.

Using the Hose Assembly

- Place nozzle/hose vac handle in the bottom position on the nozzle to redirect vacuum to the hose assembly. See Figure 9.
- The spring loaded pin must be in the second hole of the hose adapter to operate the hose assembly.
- Unhook the hose from upper handle bracket and grasp the hose handle to guide while vacuuming yard waste such as leaves or pine needles in hard to reach places.

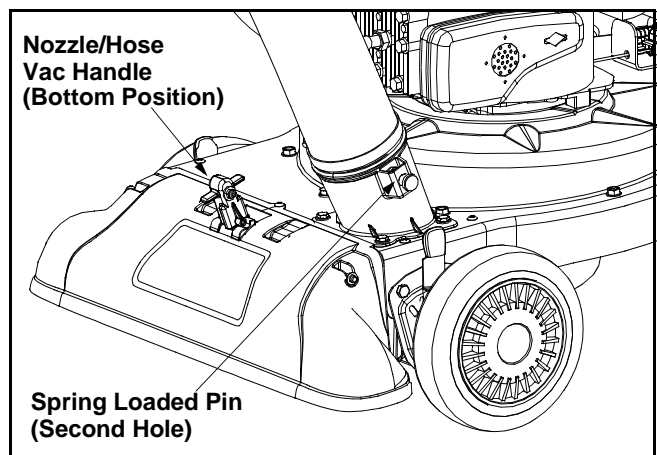


Figure 9

Nozzle Height Adjustment

The nozzle can be adjusted to any six positions, ranging from 5/8" to 4 1/8" ground clearance. The nozzle height has to be adjusted according to the conditions. Move the height adjustment levers forward or backward to adjust the nozzle upwards or downwards. See Figure 10.

NOTE: *In general, raise the nozzle height to vacuum a thick layer of leaves or to operate with the blower chute and lower the nozzle height for smoother surfaces.*

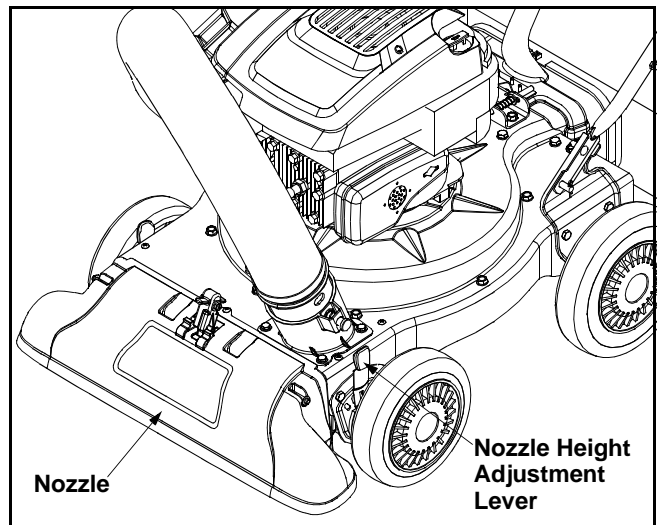


Figure 10

SECTION 5: MAINTAINING YOUR YARD VACUUM

Customer Responsibilities

MAINTENANCE SCHEDULE								SERVICE DATES					
		Before each use	Every 25 hours	Every 50 hours	Every 100 hours	Once a season	Before storage						
PRODUCT	Lubricate Wheels					✓							
	Lubricate Nozzle Levers					✓							
	Lubricate Locking Rod					✓							
	Lubricate Nozzle/Hose Handle					✓							
	Check Chipper Blade		✓			✓							
ENGINE	Change Oil		✓				✓						
	Check Air Filter		✓			✓							
	Clean Engine	✓					✓						
	Check Spark Plug			✓		✓							



WARNING: Always stop engine and disconnect spark plug wire before cleaning, lubricating or doing any kind of maintenance on your machine.

Lubrication

Wheels: Lubricate each wheel shoulder screw once a season with light oil. Refer to Figure 6.

Nozzle height adjustment levers: Lubricate the pivot points of the nozzle height adjustment levers once a season with light oil. Refer to Figure 6.

Locking Rod: Lubricate the locking rod with light oil to ease the application of attaching on or removing bag or blower chute. Refer to Figure 6.

Nozzle/Hose Vac Handle: Lubricate the nozzle/hose vac handle on top of nozzle once a season with light oil. Refer to Figure 6.

Engine: Follow the separate engine manual packed with your unit for lubrication instructions.

Maintenance

Engine

Refer to the separate engine manual for all engine maintenance instructions.

- Check **engine oil level** before each use as instructed in the separate engine manual packed with your unit. Read and follow instructions carefully.
- Clean **air cleaner** every 25 hours under normal conditions or once a season. Clean every few hours under extremely dusty conditions. To service the air cleaner, refer to the separate engine manual packed with your unit.
- The **spark plug** should be cleaned and the gap reset once a season. Check engine manual for correct plug type and gap specifications.

Removing The Flail Screen

If the discharge area becomes clogged, remove the flail screen and clean area as follows:

- Stop the engine and make certain the Yard Vacuum has come to a complete stop.
- Disconnect spark plug wire from spark plug and ground against the engine.
- Remove the bag or blower chute from the unit as instructed in the OPERATION section to obtain access to flail screen. See Figure 11.

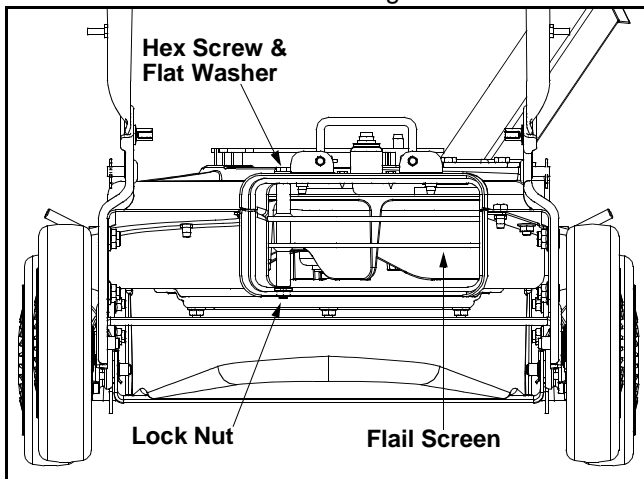


Figure 11

- Remove hex screw on right side of unit that attaches to the flail screen. It may be necessary to remove the hose bracket hanger to get access to the hex screw. See Figure 12.
- Remove hex screw and flat washer on top of rear housing mounting bracket and the lock nut that secures flail screen. See Figure 11.
- Remove and clean the screen by scraping or washing with water. Reinstall the flail screen.

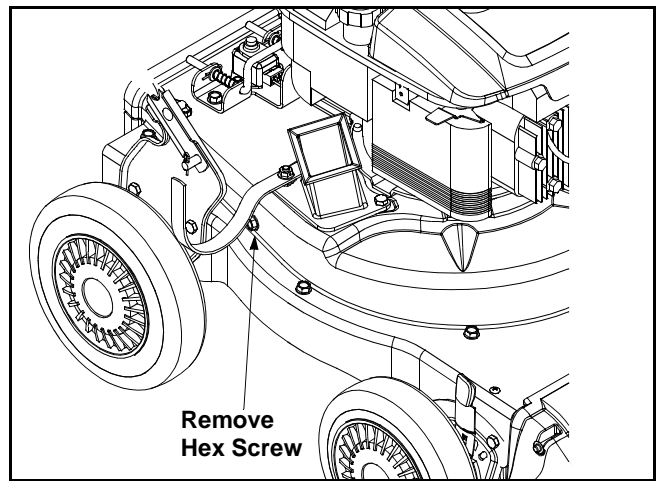


Figure 12

Sharpening Or Replacing Chipper Blade

Because the engine on this unit has a tapered crankshaft, a special impeller tool (part number 753-0900) is required to remove the impeller assembly. For further assistance, contact your local service dealer.

NOTE: When tipping the unit, empty the fuel tank and keep spark plug side up.

- Disconnect the spark plug wire and ground it away from the spark plug.
- Remove the front hubcaps, lock nuts, front wheels, and wave washers that attach to the pivot arm assemblies. See Figure 13.
- Remove the shoulder screws and bell washers that go through the pivot arms and height bracket adjusters to the front support brace.

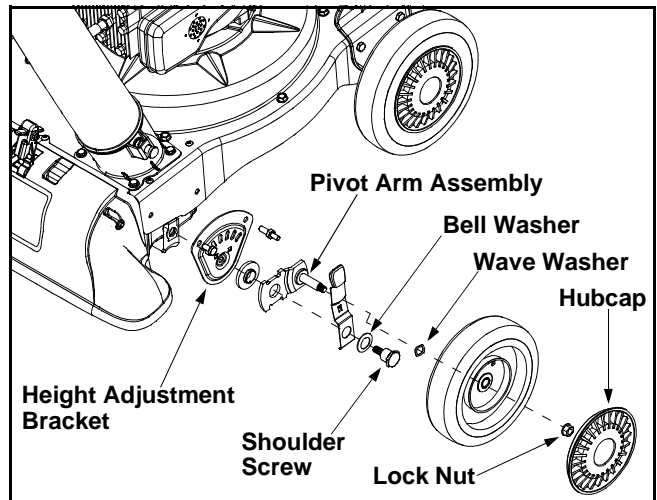


Figure 13

- Remove the three screws on the upper housing that secure the nozzle cover and the nine screws that secure the lower housing to the upper housing. See Figure 14.

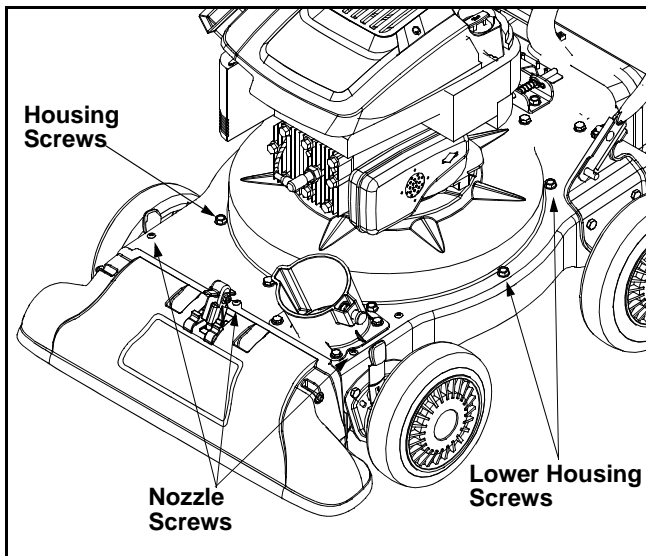


Figure 14

- Remove lock nut that secures flail screen to the lower housing. The flail screen does not have to be removed. Refer to Figure 11.
- Remove the hex bolt, lock washer, and flat washer that secure the impeller assembly to the crankshaft. See Figure 15.

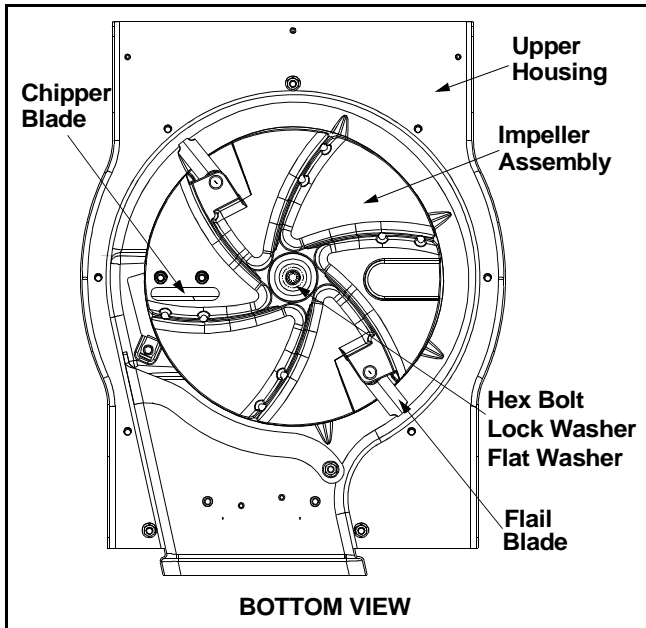


Figure 15

- Apply lubricant to the threads of impeller removal tool and then thread the tool into the crankshaft. Stop when the impeller assembly can move on the crankshaft.
- Remove the impeller assembly from the crankshaft. Unthread the impeller removal tool from the impeller assembly.
- Remove the blade using a 3/16" allen wrench on the outside of the blade and 1/2" wrench on the impeller assembly.
- Replace or sharpen chipper blade.
- When sharpening blade, protect hands by using gloves and follow the original angle of grind.
- Reassemble by performing the previous steps in reverse order.
- Tighten blade screws to 210-250 in-lbs. Tighten impeller bolt to 375-425 in-lbs.

NOTE: Make certain chipper blade is reassembled with the sharp edge facing upward. See Figure 16.

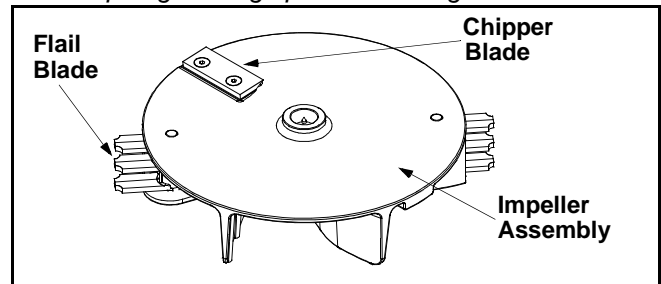


Figure 16

Storing Your Yard Vacuum

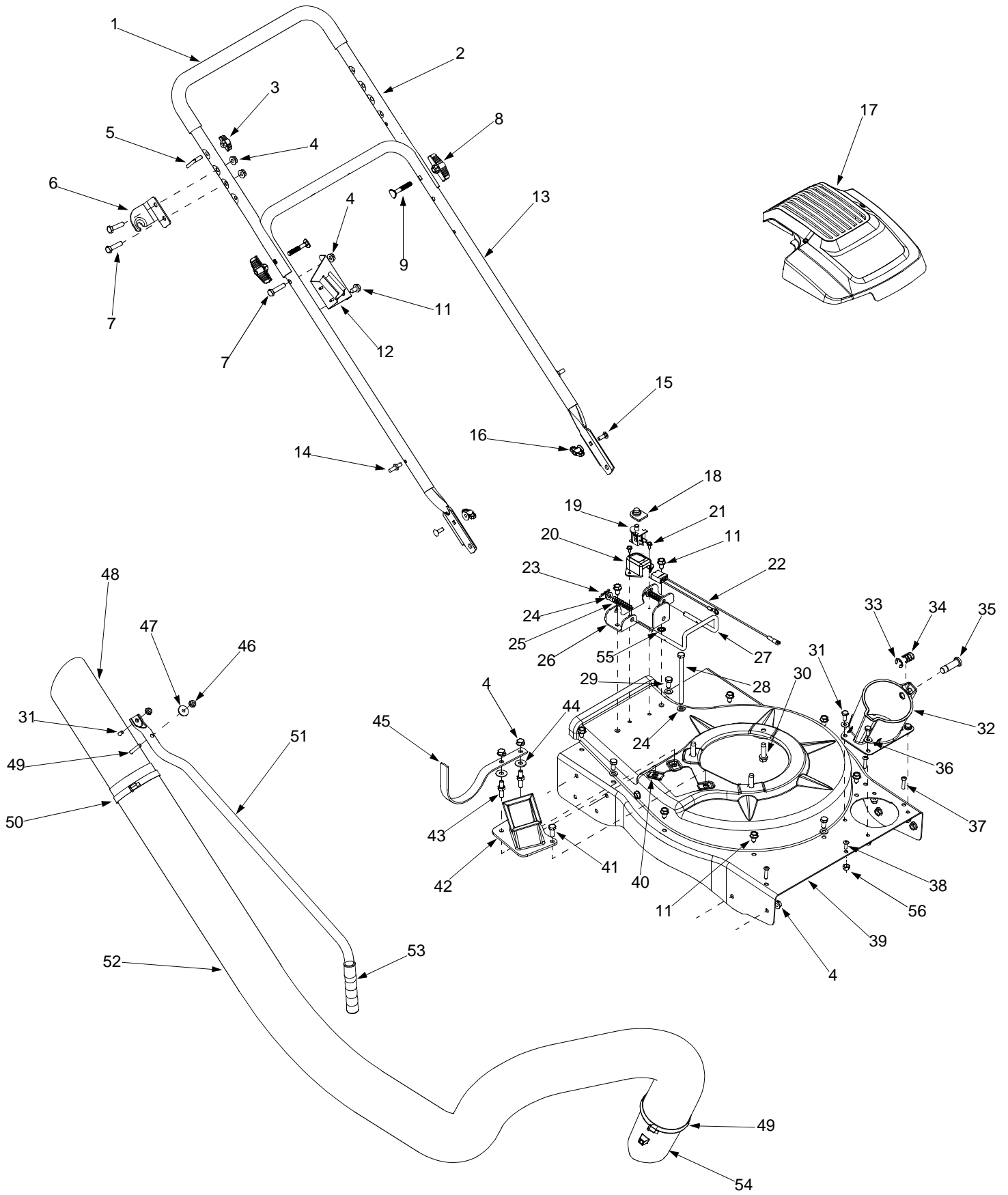
- Clean the equipment thoroughly.
- Wipe equipment with a oiled rag to prevent rust.
- Refer to engine manual for correct engine storage instructions.
- Store unit in a clean, dry area. Do not store next to corrosive materials such as fertilizer.

SECTION 6: TROUBLESHOOTING

Problem	Cause	Remedy
Engine fails to start	<ol style="list-style-type: none"> 1. Spark plug wire disconnected. 2. Fuel tank empty or stale fuel. 3. Throttle control lever not in correct starting position. (If Equipped) 4. Choke not in CHOKE position. 5. Blocked fuel line. 6. Faulty spark plug. 	<ol style="list-style-type: none"> 1. Connect wire to spark plug. 2. Fill tank with clean, fresh gasoline. 3. Move throttle lever to FAST position. 4. Move choke to CHOKE position. 5. Clean fuel line. 6. Clean, adjust gap, or replace.
Engine runs erratic	<ol style="list-style-type: none"> 1. Spark plug wire loose. 2. Unit running on CHOKE. 3. Blocked fuel line or stale fuel. 4. Water or dirt in fuel system. 5. Dirty air cleaner. 6. Carburetor out of adjustment. 	<ol style="list-style-type: none"> 1. Connect and tighten spark plug wire. 2. Move choke lever (if equipped) to OFF position. 3. Clean fuel line; fill tank with clean, fresh gasoline 4. Drain fuel tank. Refill with fresh fuel. 5. Clean or replace air cleaner. 6. See authorized service dealer.
Too much vibration	<ol style="list-style-type: none"> 1. Loose parts or damaged impeller. 	<ol style="list-style-type: none"> 1. See authorized service dealer.
Engine overheats	<ol style="list-style-type: none"> 1. Engine oil level low. 2. Dirty air cleaner. 3. Carburetor not adjusted properly. 	<ol style="list-style-type: none"> 1. Fill crankcase with proper oil. 2. Clean or replace air cleaner. 3. See authorized service dealer.
Occasional skip (hesitates) at high speed	<ol style="list-style-type: none"> 1. Spark plug gap too close. 	<ol style="list-style-type: none"> 1. Adjust gap to .030".
Unit does not discharge	<ol style="list-style-type: none"> 1. Discharge chute clogged. 2. Foreign object lodged in impeller. 3. Low engine RPM 4. Vacuum bag is full. 	<ol style="list-style-type: none"> 1. Stop engine immediately and disconnect spark plug wire. Clean flail screen and inside of discharge opening. 2. Stop engine and disconnect spark plug wire. Remove lodged object. 3. Always run engine at full throttle. 4. Empty bag.
Rate of discharge slows considerably or composition of discharged material changes.	<ol style="list-style-type: none"> 1. Low engine RPM. 2. Chipper blade dull. 	<ol style="list-style-type: none"> 1. Always run engine at full throttle. 2. Replace chipper blade or see your authorized service dealer.

NOTE: For repairs beyond the minor adjustments listed above, contact your nearest authorized service dealer.

Model 24A-060F402



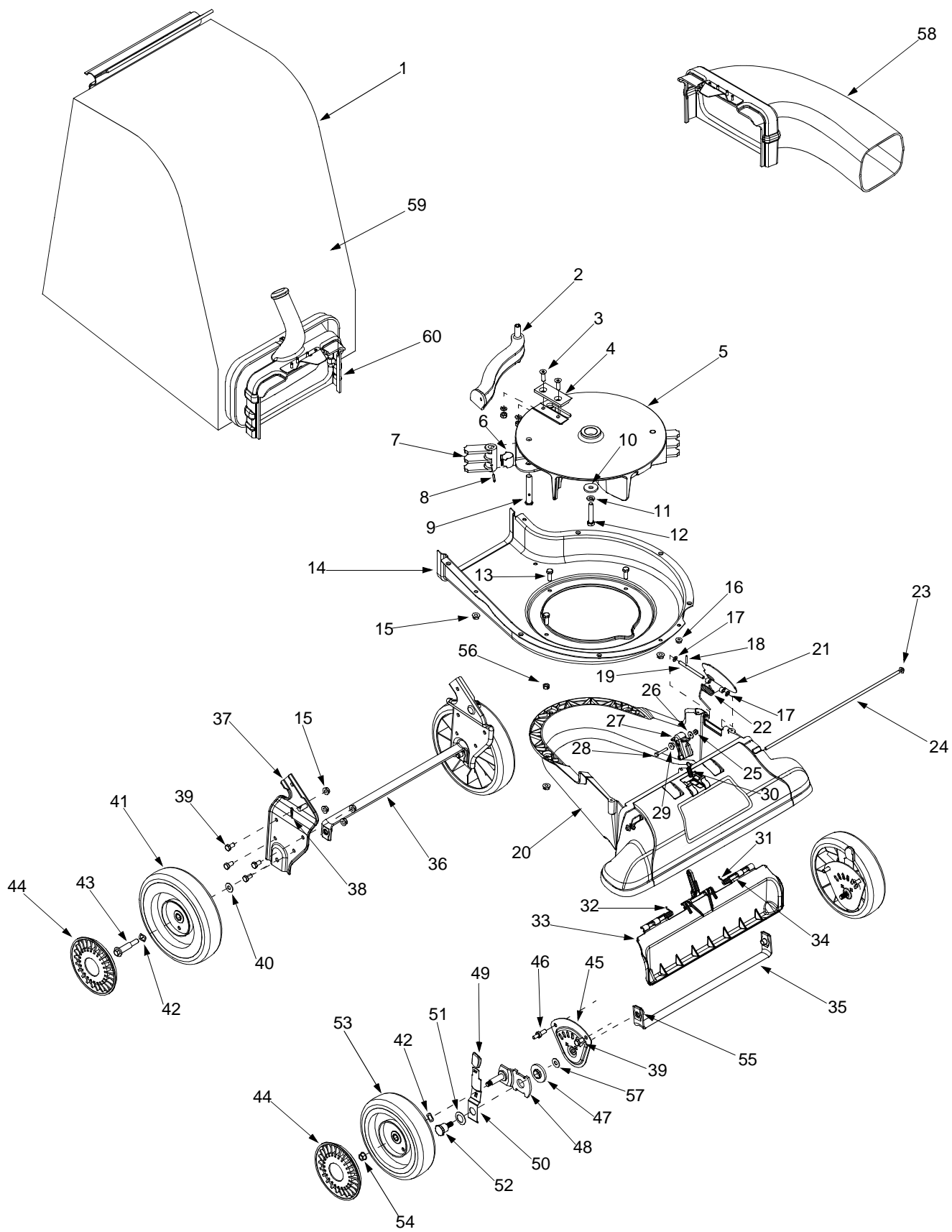
Model 24A-060F402

Ref. No.	Part No.	Part Description	Ref. No.	Part No.	Part Description
1.	720-0295	Foam Grip	30.	710-0502A	Hex Washer Screw 3/8-16 x 1.25
2.	749-1423	Upper Handle	31.	710-0751	Hex Cap Screw 1/4-20 x .620
3.	720-0279	Knob	32.	731-2484	Hose Base Adapter
4.	712-3004A	Flange Lock Nut 5/16-18	33.	716-0104	E Ring .500 Dia
5.	710-1205	Eye Bolt	34.	732-3035	Compression Spring
6.	781-1056	Upper Handle Bracket	35.	711-1571	Clevis Pin
7.	710-0528	Hex Cap Screw 5/16-18 x 1.25	36.	736-3020	Flat Washer .271 ID x .630 OD
8.	720-0314	Handle Knob 5/16-18	37.	710-0969	Screw #12-16 x 1.0
9.	710-1174	Carriage Bolt	38.	710-0425	Machine Screw #10 - 24 x .625
11.	710-0604A	Hex Washer Screw 5/16-18 x.625	39.	781-1042	Upper Housing
12.	681-0174	Lower Handle Bracket	40.	726-0454	U-Clip Lock Nut 5/16-18
13.	749-0907B	Lower Handle	41.	710-3008	Hex Cap Screw 5/16-18 x.75
14.	711-1293	Studs	42.	681-0122	Chipper Chute Assembly
15.	710-0703	Carriage Screw 1/4-20 x.75	43.	738-1167	Stud 5/16-18 x .56
16.	712-0397	Wing Nut 1/4-20	44.	736-0371	Flat Washer .343 ID x .880 OD
17.	731-1402B	Shroud	45.	781-1058	Hose Bracket Hanger
18.	725-1700	Switch Cover	46.	712-3027	Hex Flange Nut 1/4-20
19.	725-3166	Safety Switch	47.	748-0457	Spacer
20.	731-1613	Safety Switch Cover	48.	731-2478	Hose Nozzle
21.	710-0224	Hex Washer Screw #10-16 x.50	49.	710-3288	Hex Cap Screw 1/4-20 x 2.625
22.	629-0920	Wire Harness	50.	723-0295	Adjustment Clamp
23.	714-0104	Cotter Pin	51.	749-1270	Nozzle Handle
24.	736-0264	Flat Washer.330 ID x.630 OD	52.	764-0648	Vacuum Hose
25.	732-0962	Compression Spring	53.	07071	Handle Grip
26.	781-0778A	Mounting Bracket	54.	731-2292	Hose Adapter
27.	747-1153	Lock Rod	55.	736-0607	External L-Washer 5/16
28.	710-3195	Hex Cap Screw 5/16-18 x 4.5	56.	712-0161	Hex Lock Nut #10 - 24
29.	710-3025	Hex Cap Screw 5/16-18 x.625			

NOTE: For **painted parts**, please refer to the list of color codes below. Please add the applicable color code, wherever needed, to the part number to order a replacement part. For instance, if a part numbered 700-xxxx is painted Yard-Man Green, the part number to order would be 700-xxxx-0665.

Yard-Man Green: 0665
 Yard-Man Yellow: 0674
 Powder Black: 0637

Model 24A-060F402



Model 24A-060F402

Ref. No.	Part No.	Part Description	Ref. No.	Part No.	Part Description
1.	664-0090	Bag Assembly	32.	732-1150	Torsion Spring RH
2.	681-0154	Screen Assembly	33.	731-2294	Nozzle Door
3.	710-1054	Hex Screw 5/16-24 x 1.0	34.	711-1582	Rod .25 x 1.25 Lg
4.	781-0490	Chipper Blade	35.	781-0725A	Front Wheel Support Brace
5.	681-0152	Impeller Assembly	36.	781-0777	Rear Wheel Support Brace
6.	781-0735	Pin Clip	37.	681-0155	Handle Bracket Ass'y LH
7.	719-0329	Flail Blade		681-0156	Handle Brkt Ass'y RH (Not Shown)
8.	715-0166	Spiral Pin	38.	714-0104	Cotter Pin
9.	711-1401	Clevis Pin	39.	710-3025	Hex Cap Screw 5/16-18 x .625
10.	736-0247	Flat Washer .375 ID x 1.25 OD	40.	736-0105	Bell Washer .401 ID x .870 OD
11.	736-0217	Lock Washer 3/8	41.	734-1992	Wheel 9 x 2
12.	710-0818	Hex Cap Screw 3/8-24 x 2.0	42.	736-0232	Wave Washer .531 ID x .781 OD
13.	710-3038	Hex Cap Screw 5/16-18 x .875	43.	738-1015	Shoulder Screw 3/8-16
14.	781-0721A	Lower Housing	44.	731-1426	Hubcap
15.	712-3004A	Flange Lock Nut 5/16-18	45.	781-0785	Height Adjustment Bracket
16.	712-3027	Hex Flange Nut 1/4-20	46.	738-1185	Stud 5/16-18 .56 x .75
17.	736-0142	Flat Washer .281 ID x .50 OD	47.	741-0751	Height Adjustment Bearing
18.	714-0225	Cotter Pin	48.	682-0113	Pivot Arm Assembly
19.	711-1560	Pivot Rod	49.	720-0426	Height Adjustment Knob
20.	731-2520	Nozzle	50.	732-1026	Spring Lever
21.	781-1064	Base Adapter Door	51.	736-0741	Bell Washer .760 ID x .25 OD
22.	732-1156	Torsion Spring	52.	738-1173	Shoulder Screw .750 ID x .625 OD
23.	726-0106	Cap Speed Nut 1/4	53.	734-1978	Wheel 8 x 2
24.	711-1551	Pivot Rod	54.	712-0431	Flange Lock Nut 3/8-16
25.	712-0161	Hex Lock Nut #10-24	55.	726-0453	Lock Nut 3/8-16
26.	736-0400	Flat Washer .194 ID x .62 OD	56.	712-0158	Hex Lock Nut 5/16-18
27.	731-2485	Nozzle Door Lever	57.	736-0314	Thrust Washer .375 ID x .70 OD
28.	710-1156	Hex Screw #10-24 x 1.25	58.	OEM-290-012	Blower Chute
29.	750-1294	Shoulder Spacer	59.	764-0507	Bag
30.	732-3118	Extension Spring	60.	631-0083	Chute Assembly
31.	732-1151	Torsion Spring LH			

Notes

ÍNDICE

Contenido	Página
Medidas importantes de seguridad	20
Montaje de la aspiradora para patios	22
Conozca las propiedades de la aspiradora para patios	24
Funcionamiento de la aspiradora para patios	25
Mantenimiento de la aspiradora para patios	27
Guía para la solución de problemas	30
Lista de las piezas	14

BÚSQUEDA DEL NÚMERO DE MODELO

Este manual de operación es una parte importante de la nueva aspiradora para patios. Le ayudará a montar, preparar y mantener la unidad para obtener los mejores resultados. Por favor lea y comprenda el contenido del manual.



Antes de comenzar el montaje del equipo nuevo, por favor encuentre la placa del modelo del equipo y copie la información contenida en la misma en el espacio provisto a continuación. La información contenida en la placa del modelo es muy importante en caso de necesitar ayuda de nuestro Departamento de Asistencia al Cliente o de un distribuidor autorizado.

- Para encontrar el número de modelo mire hacia abajo de la parte posterior de la aspiradora para patios. A continuación se explica un ejemplo de placa de modelo. Para referencias futuras, por favor copie el número de modelo y el número de serie del equipo en el espacio a continuación.



Copie el número del modelo en este espacio: _____

Copie el número de serie en este espacio: _____

SERVICIO TELEFÓNICO DE ASISTENCIA AL CLIENTE

En caso de tener problemas para ensamblar este producto o de tener dudas con respecto a los controles, funcionamiento o mantenimiento del mismo, por favor comuníquese con el Departamento de asistencia al cliente.



Llame al **1- (330) 220-4MTD (4683)** o **1- (800)-800-7310** para comunicarse con un representante de asistencia al cliente. Por favor cuando llame tenga a la vista el número de modelo y el número de serie de su unidad. Consulte la sección anterior para obtener esta información. Se le solicitará que ingrese el número de serie para poder procesar su llamada.

Si desea más información sobre la máquina visite nuestro sitio web en www.yardman.com

SECCIÓN 1: MEDIDAS IMPORTANTES DE SEGURIDAD



ADVERTENCIA: La presencia de este símbolo indica que se trata de instrucciones importantes de seguridad que debe respetar para evitar poner en riesgo su seguridad personal y / o material y de otras personas. Lea y siga todas las instrucciones contenidas en este manual antes de intentar poner esta máquina en funcionamiento. De no hacerlo puede ocasionar lesiones. Cuando encuentre este símbolo - **respete la advertencia que aparece a continuación del mismo.**

ADVERTENCIA: El escape del motor de este producto, algunos de sus componentes y algunos componentes del vehículo contienen o emiten productos químicos que el estado de California considera que pueden producir cáncer, defectos de nacimiento u otros problemas reproductivos.

PELIGRO: Esta máquina está diseñada para ser utilizada respetando las reglas de seguridad contenidas en este manual. Al igual que con todos los equipos eléctricos si el operador es descuidado o comete errores puede ocasionar lesiones graves. Esta máquina puede amputar manos y pies y arrojar objetos. De no respetar las instrucciones de seguridad siguientes se pueden producir lesiones graves o la muerte.

CAPACITACIÓN

1. Lea, comprenda y respete todas las instrucciones que figuran en la máquina o en este(os) manual(es) antes de proceder al montaje y operación del equipo. Guarde este manual en un lugar seguro para referencias futuras y regulares y para solicitar repuestos.
2. Familiarícese con todos los controles y con el uso adecuado de los mismos. Sepa cómo detener la máquina y cómo desengranar los controles rápidamente.
3. Nunca permita que niños menores de 16 años operen esta máquina. Los niños de 16 años y más deben leer y comprender las instrucciones de operación y las reglas de seguridad contenidas en este manual y deben ser capacitados y supervisados por uno de los padres.
4. Nunca permita que adultos sin conocimientos acerca de la máquina operen la misma.
5. Mantenga a los observadores, ayudantes, mascotas y a los niños por lo menos a 75 pies de la máquina mientras la misma está en funcionamiento. Detenga la máquina si alguien entra en la zona.
6. Nunca encienda un motor en espacios cerrados o en una zona con poca ventilación. El escape del motor contiene monóxido de carbono, un gas inodoro y letal.
7. No ponga las manos o los pies cerca de las piezas rotatorias o en las cámaras de alimentación ni en la abertura de descarga. El contacto con el motor rotatorio puede producir la amputación de dedos, manos o pies.
8. Nunca trate de destapar la toma de alimentación o la abertura de descarga, ni trate de sacar o vaciar la bolsa de la aspiradora, ni de revisar y reparar la máquina mientras el motor está en marcha. Apague el motor y espere hasta que todas las piezas que se mueven se hayan detenido por completo. Desconecte el cable de la bujía y póngalo de manera que haga masa contra el motor.

PREPARACIÓN

1. Revise minuciosamente la zona donde se utilizará el equipo. Retire todas las piedras, botellas, latas u otros objetos extraños que puedan ser levantados o arrojados causando lesiones o daños a la máquina.
2. Para protegerse los ojos utilice siempre anteojos o antiparras de seguridad mientras opera la máquina o mientras la ajusta o repara. Los objetos arrojados que rebotan pueden lesionar gravemente la vista.

3. Utilice zapatos de trabajo resistentes, de suela fuerte y pantalones y camisas ajustados. Las prendas sueltas o las alhajas pueden quedar atrapadas en las piezas móviles. Nunca opere esta máquina estando descalzo o con sandalias. Utilice guantes de trabajo de cuero cuando alimente material por el canal de la cortadora.
4. Antes de encender la máquina controle que todos los pernos y tornillos estén bien ajustados para comprobar que la máquina se encuentra en condiciones seguras de operación. Además realice una inspección visual de la máquina a intervalos frecuentes para controlar si la misma está dañada.
5. Mantenga o reemplace las etiquetas de seguridad e instrucciones según sea necesario.
6. Sea sumamente cuidadoso al manipular la gasolina. La gasolina es altamente inflamable y los vapores son explosivos. Se puede lesionar gravemente si derrama gasolina sobre usted o sobre la ropa ya que se puede encender. Lave la piel y cámbiese de ropa de inmediato.
 - a. Utilice sólo recipientes para gasolina autorizados.
 - b. Apague todos los cigarrillos, cigarros, pipas y otras fuentes de combustión.
 - c. Nunca cargue combustible en la máquina en un espacio cerrado.
 - d. Nunca saque la tapa del gas ni agregue combustible mientras el motor está caliente o en marcha.
 - e. Deje que el motor se enfríe por lo menos dos minutos antes de volver a cargar combustible.
 - f. Nunca recargue el tanque de combustible. Llene el tanque no más de 1/2 pulgada por debajo de la base del cuello del filtro para dejar espacio para la dilatación del combustible.
 - g. Vuelva a colocar la tapa de la gasolina y ajústela bien.
 - h. Limpie la gasolina derramada sobre el motor y el equipo. Traslade la máquina a otra zona. Espere 5 minutos antes de encender el motor.
 - i. Nunca almacene la máquina o el recipiente de combustible en un espacio cerrado donde haya fuego, chispas o luz piloto (por ejemplo, hornos, calentadores de agua, calefactores, secadores de ropa, etc.)
 - j. Para reducir el riesgo de incendio mantenga la máquina limpia de pasto, hojas y de acumulación de otros escombros. Limpie los derrames de

aceite o combustible y saque todos los escombros embebidos con combustible.

- k. Deje que la máquina se enfríe por lo menos 5 minutos antes de guardarla.

FUNCIONAMIENTO

1. No ponga las manos o los pies cerca de las piezas rotatorias o en las cámaras de alimentación ni en la abertura de descarga. El contacto con el motor rotatorio puede producir la amputación de dedos, manos o pies.
2. Antes de encender la máquina compruebe que el canal de la cortadora, la toma de alimentación y la cámara de corte están vacías y sin escombros.
3. Inspeccione minuciosamente todo el material que desea triturar y saque los objetos metálicos, piedras, botellas, latas u otros objetos extraños que pueden ocasionar lesiones o dañar la máquina.
4. Si el motor golpea un objeto extraño o si la máquina produce un sonido poco común o una vibración al encenderla, apague el motor de inmediato. Deje que el motor se detenga por completo. Desconecte el cable de la bujía, póngalo de manera que haga masa contra el motor y siga estos pasos:
 - a. Inspeccione la máquina para ver si está dañada.
 - b. Repare o reemplace las piezas dañadas.
 - c. Controle si hay piezas flojas y ajústelas para asegurar que la máquina funcione de manera segura y continua.
4. No permita que se acumule material procesado en la zona de descarga. El mismo puede obstaculizar la descarga adecuada y provocar el retorno del material a través de la abertura de alimentación.
5. No intente triturar ni picar material de mayor tamaño al especificado en la máquina o en este manual. Se podrían producir lesiones o daños.
6. Nunca trate de destapar la toma de alimentación o la abertura de descarga mientras el motor está en marcha. Apague el motor y espere hasta que todas las piezas que se mueven se hayan detenido por completo, desconecte el cable de la bujía y póngalo de manera que haga masa contra el motor antes de sacar los escombros.
7. Nunca opere la máquina sin que la bolsa de la aspiradora y el canal de descarga estén conectados a la máquina como corresponde. Nunca vacíe ni cambie la bolsa de la aspiradora mientras el motor está en marcha. El extremo con cierre de la bolsa de la aspiradora debe quedar cerrado todo el tiempo mientras la máquina está en funcionamiento.
8. Nunca ponga la máquina en funcionamiento si el pico de ingreso o la unión opcional para la manguera no están conectados a la máquina adecuadamente. Nunca intente conectar o cambiar ninguna de estas uniones mientras el motor está en marcha.
9. Mantenga todos los protectores, desviadores y dispositivos de seguridad en su lugar y en buenas condiciones.
10. Mientras alimenta material dentro de la máquina mantenga su rostro y su cuerpo detrás y hacia un costado del canal de la cortadora para evitar lesiones por retrocesos accidentales.

11. Nunca opere esta máquina sin buena visibilidad o iluminación. Siempre debe estar seguro de que está bien afirmado y sostenga bien las manijas.
12. No opere esta máquina en superficies con grava.
13. No opere esta máquina estando bajo los efectos del alcohol o de drogas.
14. El silenciador y el motor se calientan y producen una quemadura. No los toque.
15. Nunca levante o transporte la máquina cuando el motor está encendido.

MANTENIMIENTO Y ALMACENAMIENTO

1. Nunca manipule los dispositivos de seguridad de manera imprudente. Controle periódicamente que funcionen de forma adecuada.
2. Controle frecuentemente que todos los pernos y tornillos estén bien ajustados para comprobar que la máquina se encuentra en condiciones seguras de operación. Además realice una inspección visual de la máquina para controlar si la misma está dañada y repárela de ser necesario.
3. Antes de limpiar, reparar o inspeccionar la máquina, detenga el motor y compruebe que el mismo y todas las partes que se mueven se hallan detenido. Desconecte el cable de la bujía y póngalo de manera que haga masa contra el motor para evitar que se encienda de manera accidental.
4. No cambie la configuración del regulador del motor ni acelere demasiado el mismo. El regulador controla la velocidad máxima segura de operación del motor.
5. Mantenga o reemplace las etiquetas de seguridad e instrucciones según sea necesario.
6. Siga las instrucciones de este manual para cargar, descargar, transportar y almacenar de manera segura esta máquina.
7. Nunca almacene la máquina o el recipiente de combustible en un espacio cerrado donde haya fuego, chispas o luz piloto como por ejemplo, calentadores de agua, hornos, secadores de ropa, etc.
8. Consulte siempre el manual de operación para las instrucciones adecuadas para el almacenamiento fuera de temporada.
9. Si debe vaciar el tanque de combustible, hágalo al aire libre.
10. Respete las normas referentes a la disposición correcta y las reglamentaciones sobre gas, combustible, etc. para proteger el medio ambiente.



ADVERTENCIA: - SU RESPONSABILIDAD:
Sólo permita que usen esta máquina eléctrica las personas que lean, comprendan y respeten las advertencias y las instrucciones que aparecen en este manual y en la máquina.

NOTA: *Es posible que no todas las etiquetas de seguridad que se enseñan correspondan a esta cortadora trituradora.*



SECCIÓN 2: MONTAJE DE LA ASPIRADORA PARA PATIOS

IMPORTANTE: Esta unidad se envía sin gasolina ni aceite en el motor. Antes de operar la máquina cargue el motor con gasolina y aceite como se indica en el manual separado del mismo.

NOTA: Las referencias a los lados derecho o izquierdo de la aspiradora para patios se hacen observando la máquina desde la posición de operación.

Extracción de la unidad de la caja

- Saque las grapas, rompa el pegamento de las aletas superiores o corte la cinta del extremo de la caja tire a lo largo de la aleta superior para abrir la caja.
- Saque las piezas sueltas que se incluyen junto con la unidad (es decir, el manual de operación, etc.)
- Corte a lo largo de las esquinas, extienda la caja plana hacia abajo y saque el material de embalaje.
- Haga rodar o deslice la unidad fuera de la caja y revise minuciosamente la caja para controlar si hay piezas sueltas.

Piezas sueltas en la caja (Ver Figura 1)

- Montaje de la manija
- Bolsa
- Canal de soplado
- Montaje de la manguera

Desconexión del cable de la bujía

Antes de instalar la aspiradora para patios desconecte el cable de la bujía de la misma y póngalo de manera que haga masa con un perno del motor.

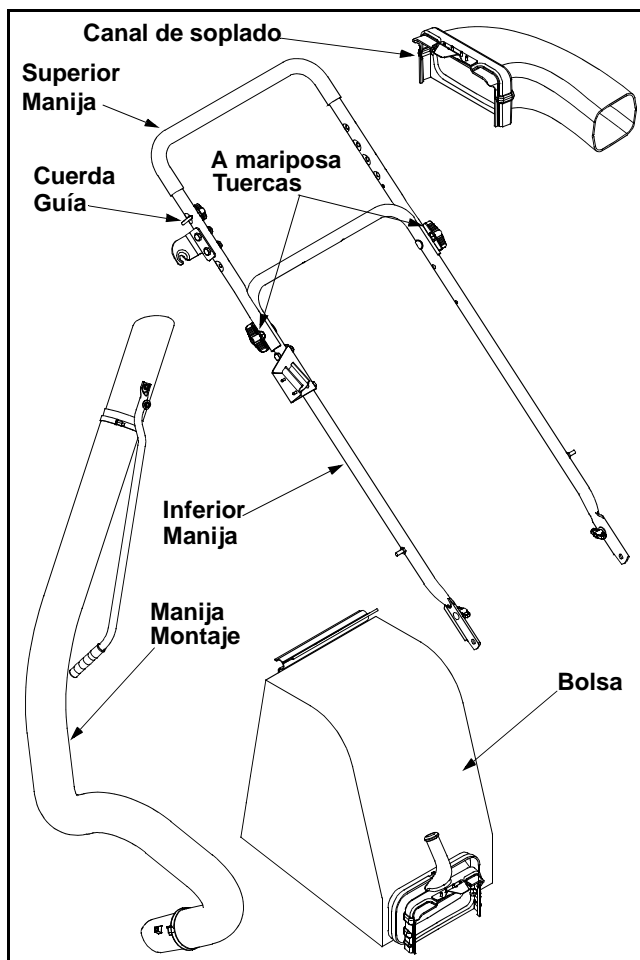


Figura 1

Montaje de la manija

- Despliegue la manija superior hasta que quede alineada con la manija inferior.
- Para sujetar las dos manijas ajuste las tuercas de mariposa (los pernos del carro deben estar colocados de forma adecuada en la manija). Ver Figura 1
- Saque los broches de horquilla de los soportes de la manija de la aspiradora para patios y saque los pernos del carro y las tuercas de mariposa de la manija inferior. Ver Figura 2.
- Coloque los agujeros inferiores de la manija inferior sobre los pernos de los soportes de la manija y asegúrelos con broches de orquilla.
- Inserte los pernos del carro desde el lado de afuera a través del agujero superior de la manija inferior y asegúrelos con tuercas de mariposa.

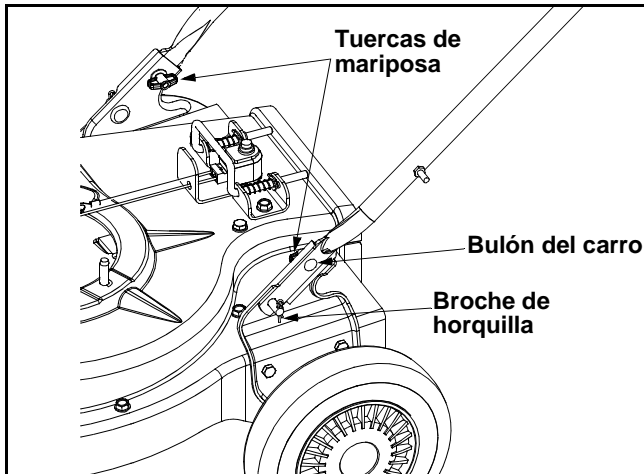


Figura 2

- Afloje la tuerca de mariposa que sostiene la guía de la cuerda contra el lado derecho de la manija superior.
- Tire despacio de la cuerda del arrancador hacia afuera y deslice la cuerda del arrancador dentro de la guía para la cuerda. Ajuste la tuerca a mariposa.

Instalación del montaje de la manguera

- Deslice el adaptador para manguera del montaje de la misma hacia el interior del adaptador base ubicado a la izquierda y al frente de la aspiradora para patios. Ver Figura 3.
- Tire del perno con resorte del lado exterior de la base y ponga el perno en línea con el primer agujero del adaptador para manguera.
- Suelte el perno para ajustar la manguera en su lugar.
- Conecte la manija de la manguera ubicada cerca del extremo con pico de la misma al soporte lateral de la manija superior. Consulte Figura 6.
- Una a presión la manija de la manguera con el soporte de la manija inferior para ajustarla en su lugar y coloque el caño de la manguera en el gancho del soporte lateral que se encuentra próximo al canal de la cortadora. Consulte Figura 6.

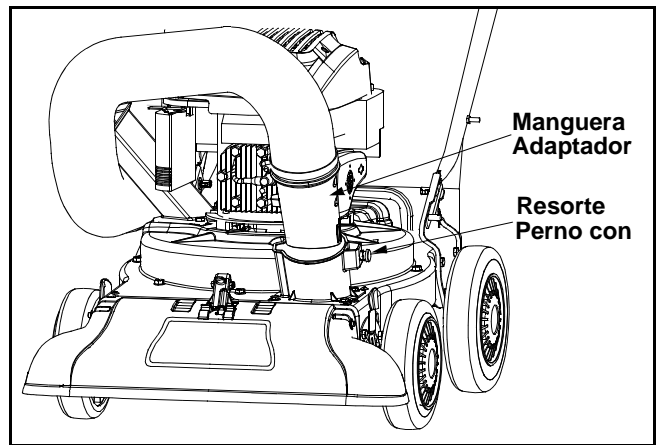


Figura 3

Colocación de la bolsa

- Sostenga la manija de la bolsa con una mano y deslice la varilla de seguridad del soporte de montaje hacia el motor con la otra mano. Use el extremo del soporte de montaje como palanca cuando deslice la varilla de seguridad. Ver Figura 4.
- Deslice la bolsa por encima del borde de la abertura de descarga y suelte la varilla de seguridad para ajustar la bolsa en su lugar.
- Coloque las tiras de la bolsa **por encima** de la manija inferior enganchándolas en los pernos.
- Una el broche de la bolsa a presión con la parte superior de la manija inferior.

NOTA: El botón del interruptor de seguridad unido al soporte de montaje debe quedar presionado totalmente por la aleta delantera de la manija de la bolsa cuando ajuste la bolsa o el motor no arrancará.

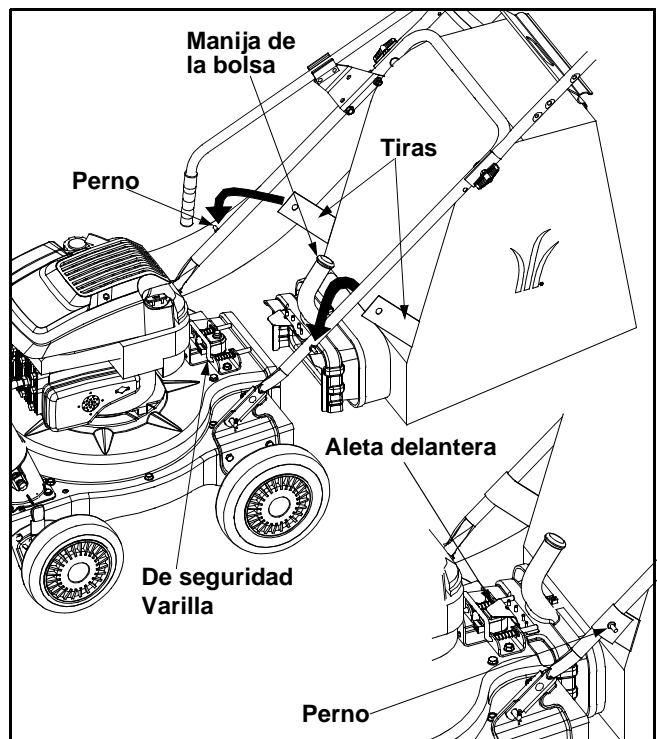


Figura 4

Instalación del canal de soplado

- Tome el canal de soplado con una mano y deslice la varilla de seguridad del soporte de montaje hacia el motor con la otra mano. Use el extremo del soporte de montaje como palanca cuando deslice la varilla de seguridad. Ver Figura 5.
- Deslice el canal de soplado por encima del borde de la abertura de descarga y suelte la varilla de seguridad para ajustar el canal en su lugar. Compruebe que el botón del interruptor de seguridad quede presionado totalmente por la aleta delantera del canal de soplado.
- Aumente la altura del pico al máximo cuando utilice el canal de soplado. Consulte las instrucciones para ajustar la altura del pico en la sección FUNCIONAMIENTO.

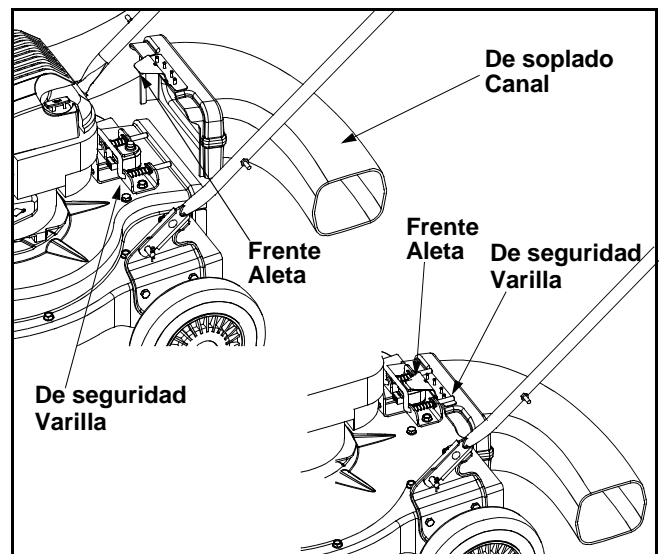


Figura 5

SECCIÓN 3: CONOZCA LAS PROPIEDADES DE LA ASPIRADORA PARA PATIOS

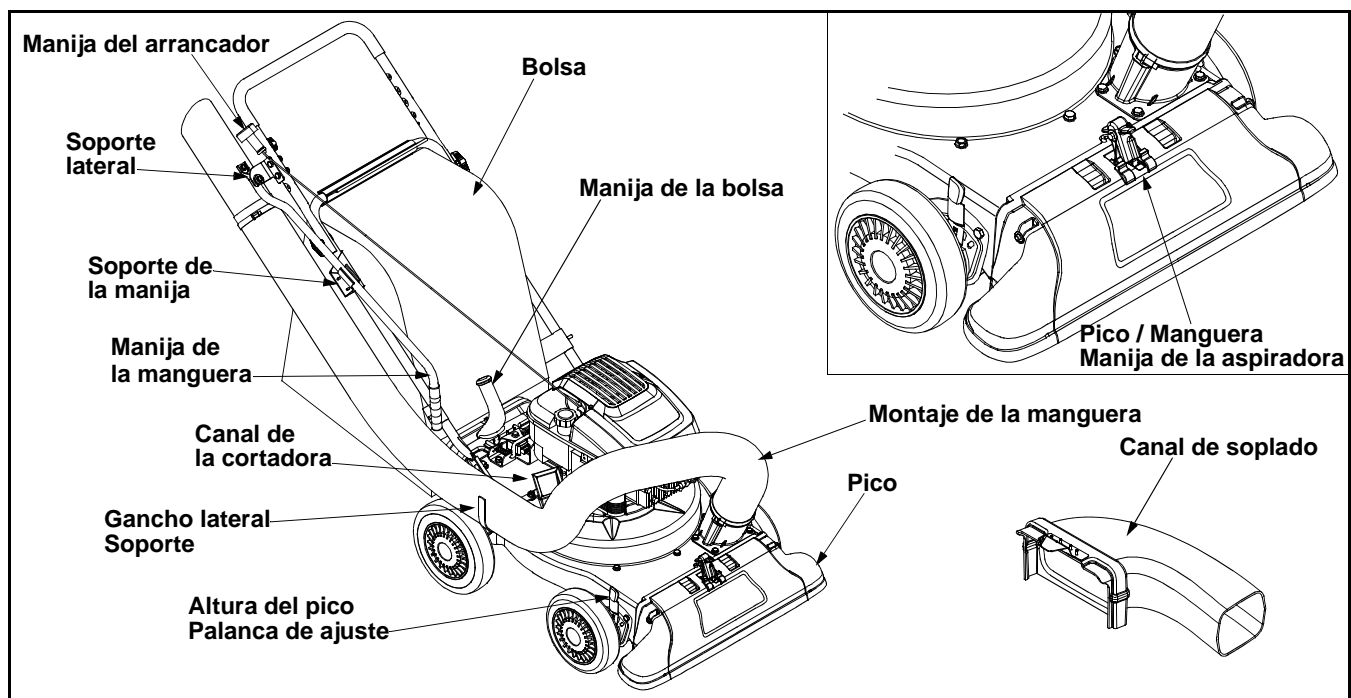


Figura 6

Lea este manual de operación y las reglas de seguridad antes de poner la aspiradora para patios en funcionamiento. Compare las ilustraciones en Figura 6 con su unidad para familiarizarse con la ubicación de los distintos controles y ajustes. Guarde este manual para referencias futuras.



ADVERTENCIA: Al operar la aspiradora para patios puede ser que objetos extraños sean arrojados a los ojos lo cual puede dañarlos gravemente. Utilice siempre los anteojos de seguridad provistos con la aspiradora para patios para operar el equipo o mientras lo ajusta o lo repara.

Manija del arrancador

La manija del arrancador está unida a la manija superior derecha. Para encender el motor párese detrás de la unidad y tire de la manija del arrancador.

Bolsa

Junta el material triturado que ingresó a través del canal de picado o que fue aspirado a través del pico o de la manguera.

Manija de la bolsa

Se utiliza para tomar la bolsa para colocarla, sacarla y vaciarla.

Canal de la cortadora

Permita que las ramas pequeñas de hasta 1 1/2" de diámetro ingresen al motor para picarlas.

Canal de soplado

Cuando se lo une a la unidad el canal de soplado se utiliza para soplar o esparcir por los patios los desechos que se acumulan en los mismos como por ejemplo las hojas, las agujas de los pinos o las ramas pequeñas.

Palanca de ajuste de la altura del pico

Se utiliza para ajustar la distancia entre el suelo y el pico que varía aproximadamente de 5/8" a 4 1/8".

Pico

Los desechos que se acumulan en los patios como por ejemplo las hojas o las agujas de los pinos se pueden aspirar con el pico para picarlos.

Montaje de la manguera

Se usa como alternativa del uso del pico para aspirar los desechos que se acumulan en los patios como por ejemplo las hojas o las agujas de los pinos que se encuentran en lugares de difícil acceso.

Manija de la manguera

Se utiliza para guiar el montaje de la manguera mientras se aspira.

Manija del pico / manguera de la aspiradora

La manija del pico / manguera de la aspiradora se encuentra en la parte superior del pico y se utiliza para regular la aspiración entre el pico y el montaje de la manguera.

Palanca de control del regulador (No se enseña)

La palanca de control del regulador está ubicada en el motor. Controla la velocidad del motor y lo detiene. Si desea más detalles, consulte el manual del motor que viene por separado y embalado con la unidad.

Controles del motor

Consulte el manual del motor que viene por separado si desea conocer la ubicación el funcionamiento de los controles del motor.

Detención del motor

- Mueva las palancas de control del regulador a la posición STOP (detención) u OFF (apagado).
- Desconecte el cable de la bujía y póngalo de manera que haga masa contra el motor.

SECCIÓN 4: FUNCIONAMIENTO DE LA ASPIRADORA PARA PATIOS



ADVERTENCIA: Al operar la aspiradora para patios puede ser que objetos extraños sean arrojados a los ojos lo cual puede dañarlos gravemente. Utilice siempre los anteojos de seguridad provistos con esta unidad o protectores para ojos antes de picar o soplar el material y mientras realiza ajustes o reparaciones.

Carga de gas y aceite

Cargue el motor con gasolina y aceite como se indica en el manual separado del mismo que viene embalado con la aspiradora para patios. Lea cuidadosamente las instrucciones.



ADVERTENCIA: Nunca cargue el tanque de combustible en espacios cerrados con el motor en marcha o hasta que haya dejado que el mismo se enfríe por lo menos dos minutos después de haber estado en marcha.

Encendido del motor

- Conecte el cable de la bujía a la misma. Compruebe que la tapa metálica del extremo de la bujía esté bien ajustada sobre la punta metálica de la bujía.
- Compruebe que el cable del interruptor de seguridad esté conectado al motor y que haga descarga a tierra como corresponde.
- **Motores con palanca de obturación:** Mueva la palanca de obturación del motor a la posición CHOKE (obturación). (Si el motor está tibio la obturación puede no ser necesaria).

- **Motores con cebador:** Utilice el cebador del motor como se explica en el manual por separado del motor.
- El control del regulador está ubicado en el motor. Mueva las palancas de control del regulador del motor a la posición FAST (rápido) o START (encendido).
- Párese detrás de la unidad, tome la manija del arrancador y saque cuerda lentamente hasta que el motor alcance el comienzo del ciclo de compresión (la cuerda tirará un poco más fuerte en este punto).
- Tire de la cuerda de manera rápida y continua. Apriete bien la manija del arrancador. Deje que la soga se enrosque lentamente.
- Repita los pasos anteriores hasta que se encienda el motor. Cuando se enciende el motor mueva el control de obturación (si está incluido) gradualmente hasta la posición RUN (en marcha).



ADVERTENCIA: Nunca encienda el motor en espacios cerrados o en una zona poco ventilada. El escape del motor contiene monóxido de carbono, un gas inodoro y letal.

Descarga de la bolsa

- Desenganche las tiras de la bolsa de la manija inferior y desabroche el broche de la bolsa de la parte superior de la manija inferior. Ver Figura 7.
- Tome la manija de la bolsa con una mano y tire de la varilla de seguridad del soporte de montaje hacia el motor con la otra mano para soltarla.
- Saque la bolsa del borde de la abertura de descarga. Consulte Figura 4.

- Gire los dos botones de la parte posterior de la bolsa para abrirla y vaciar el contenido. Ver Figura 7.
- Sostenga la manija y el broche de la bolsa mientras vacía el contenido.
- Comprima la abertura de la bolsa y doble la aleta interior sobre la abertura.
- Doble la aleta exterior sobre la aleta interior e inserte los botones de la bolsa a través de las salidas metálicas.
- Gire los botones para cerrar la bolsa.

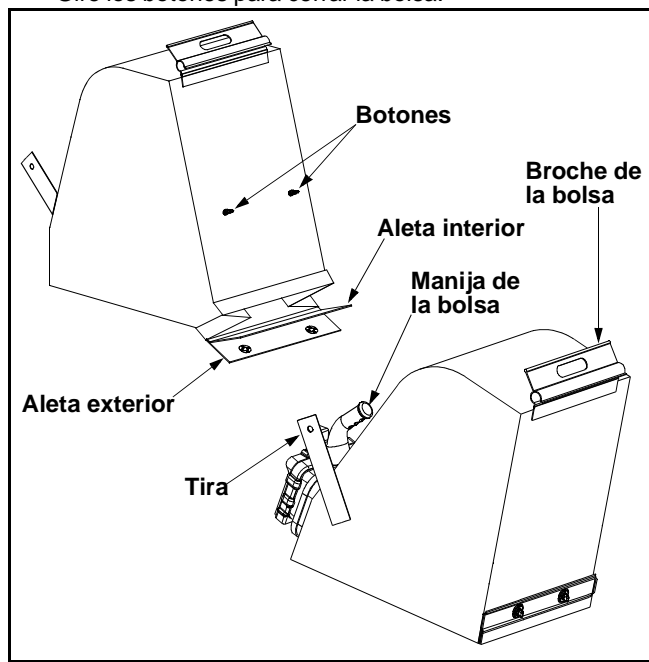


Figura 7

Extracción del canal de soplado

- Tome el canal de soplado con una mano y tire de la varilla de seguridad del soporte de montaje hacia el motor con la otra mano para soltarlo. Consulte Figura 5.
- Saque el canal de soplado del borde de la abertura de descarga.

Uso del pico de la aspiradora

- Coloque la manija del pico / manguera de la aspiradora en la posición superior del pico para aspirar a través del mismo. Ver Figura 8.
- El perno con resorte debe estar en el primer agujero de la adaptación de la manguera para operar el pico de la misma.
- Coloque ambas manos en la parte superior de la manija superior para desplazar la unidad por encima de los desechos acumulados en el patio.

El desecho que se acumula en los patios como por ejemplo las hojas y las agujas de los pinos pueden aspirarse a través del pico para triturarlos. Después que ha triturado el material con las hojas de desgranar del montaje del motor, el mismo será descargado a la bolsa colectora o a través del canal de soplado. Sólo utilice la máquina para triturar o picar el material integrante de la vegetación que se encuentra en un patio normal (es decir, ramas, hojas, ramas pequeñas, etc.) Evite las plantas fibrosas como por ejemplo las de tomates hasta que estén totalmente secas. Se pueden introducir materiales como por ejemplo troncos o ramas pesadas de

hasta 1 1/2" de diámetro en el canal de la cortadora.

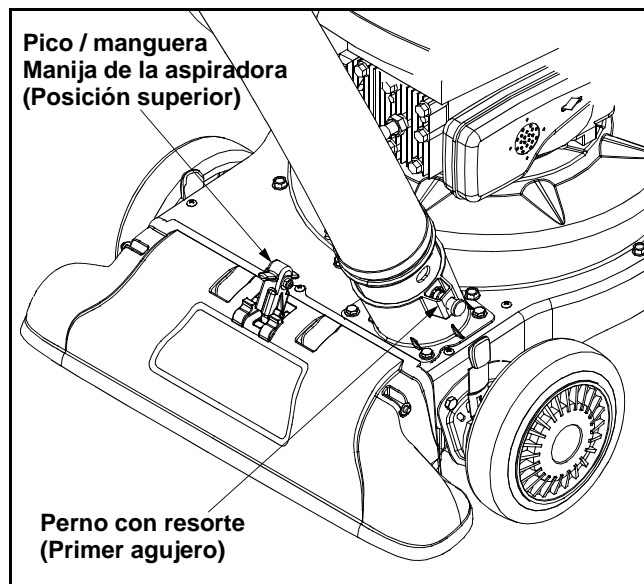


Figura 8

IMPORTANTE: La pantalla de desgranado está ubicada dentro de la caja en la zona de descarga. Si se tapa la pantalla de desgranado, sáquela y límpiela como se indica en SECCIÓN 5: MANTENIMIENTO DE LA ASPIRADORA PARA PATIOS. Para obtener el mejor resultado es importante también mantener afilada la hoja de la cortadora.



ADVERTENCIA: Siempre detenga el motor y desconecte el cable de la bujía antes de realizar cualquier ajuste.

Uso del montaje de la manguera

- Coloque la manija del pico / manguera de la aspiradora en la posición de la base del pico para volver a dirigir la aspiración al montaje de la manguera. Ver Figura 9.
- Para operar el ensamblado de la manguera, el perno con resorte debe estar en el segundo agujero del adaptador de la misma.
- Desenganche la manguera del soporte de la manija superior y tome la manija de la manguera para dirigirla mientras aspira los desechos que se acumulan en los patios como por ejemplo hojas o agujas de pinos que se encuentran en lugares de difícil acceso.

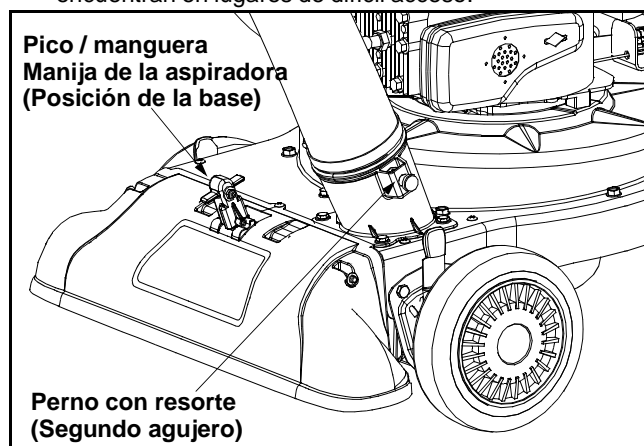


Figura 9

- Controle el nivel de aceite del motor antes de cada uso como se indica en el manual separado del mismo que viene embalado con la unidad. Lea y siga las instrucciones cuidadosamente.
- Limpie el depurador de aire cada 25 horas en condiciones normales o una vez por temporada. Limpie a intervalos de pocas horas cuando haya mucho polvo. Para realizar el control del depurador de aire consulte el manual separado del motor que viene embalado con la unidad.
- La bujía debe limpiarse y se debe reponer la distancia disruptiva una vez por temporada. Consulte el manual del motor para conocer las especificaciones para el tipo de bujía y para la distancia disruptiva.

Extracción de la pantalla de desgranado

Si la zona de descarga se tapa, saque la pantalla de desgranado y limpie la zona como se indica a continuación:

- Detenga el motor y compruebe que la aspiradora para patios se haya detenido por completo.
- Desconecte el cable de la bujía y póngalo de manera que haga masa contra el motor.
- Saque la bolsa o el canal de soplado de la unidad como se indica en la sección de FUNCIONAMIENTO para acceder a la pantalla de desgranado. Ver Figura 11.

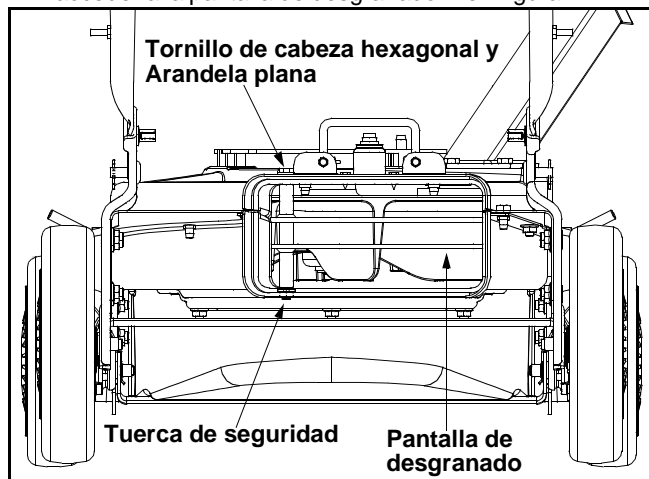


Figura 11

- Saque el tornillo de cabeza hexagonal del lado derecho de la unidad que se une a la pantalla de desgranado. Es posible que necesite sacar el gancho del soporte de la manguera para acceder al tornillo de cabeza hexagonal. Ver Figura 12.
- Saque el tornillo de cabeza hexagonal y la arandela plana de la parte superior del soporte de montaje de la caja posterior y la tuerca de seguridad que une la pantalla de desgranado. Ver Figura 11.
- Saque la pantalla y límpiela con un cepillo o lávela con agua. Vuelva a colocar la pantalla de desgranado.

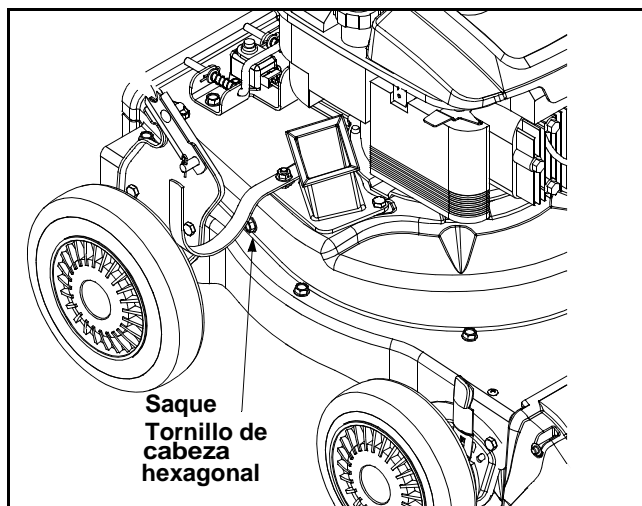


Figura 12

Afilado o recambio de las hojas de la cortadora

Debido a que el motor de esta unidad tiene un cigüeñal ahusado, se necesita una herramienta para motores especial (pieza número 753-0900) para sacar el montaje del motor. Si necesita más ayuda comuníquese con el distribuidor de su zona autorizado para realizar el mantenimiento.

NOTA: Cuando incline la unidad, vacíe el tanque de combustible y mantenga el lado de la bujía hacia arriba.

- Desconecte el cable de la bujía y conéctelo a tierra lejos de la misma.
- Saque las tapas de buje delanteras, las tuercas de seguridad, las ruedas delanteras y las arandelas ondulatorias que van unidas a los montajes del brazo giratorio. Ver Figura 13.
- Saque los tornillos con reborde y las arandelas de campana que pasan por los brazos giratorios y los adaptadores de los soportes de altura hasta la traba de sostén delantera.

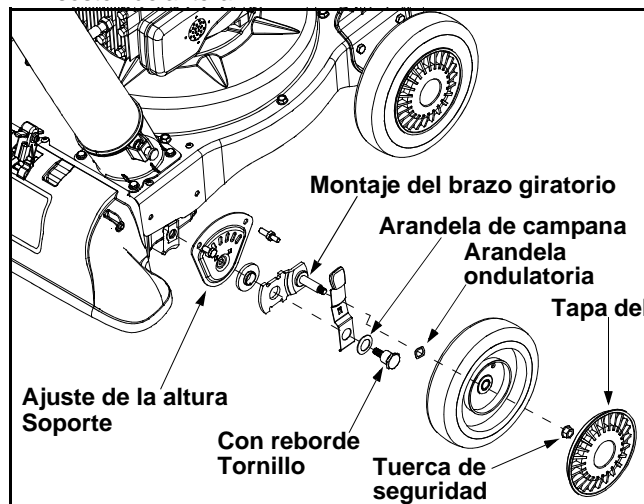


Figura 13

- Saque los tres tornillos de la caja superior que unen la cubierta del pico y los nueve tornillos que unen la caja inferior a la superior. Ver Figura 14.

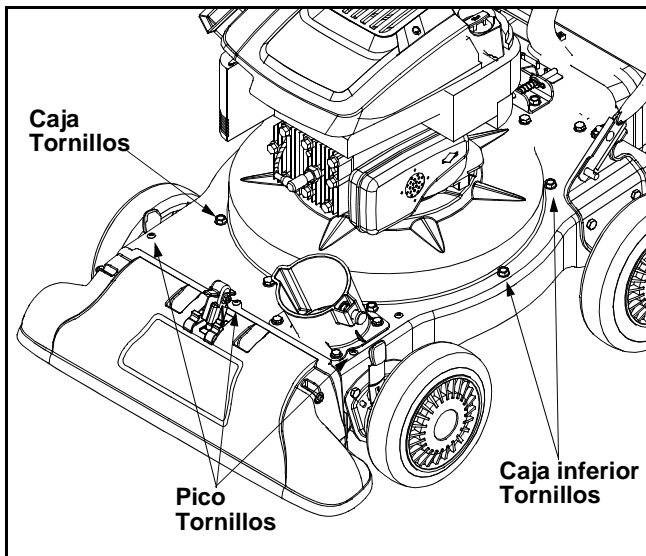


Figura 14

- Saque la tuerca de seguridad que une la pantalla de desgranado a la caja inferior. No es necesario sacar la pantalla de desgranado. Consulte Figura 11.
- Saque el bulón hexagonal, la arandela de seguridad y la arandela plana que unen el montaje del motor al cigüeñal. Ver Figura 15.

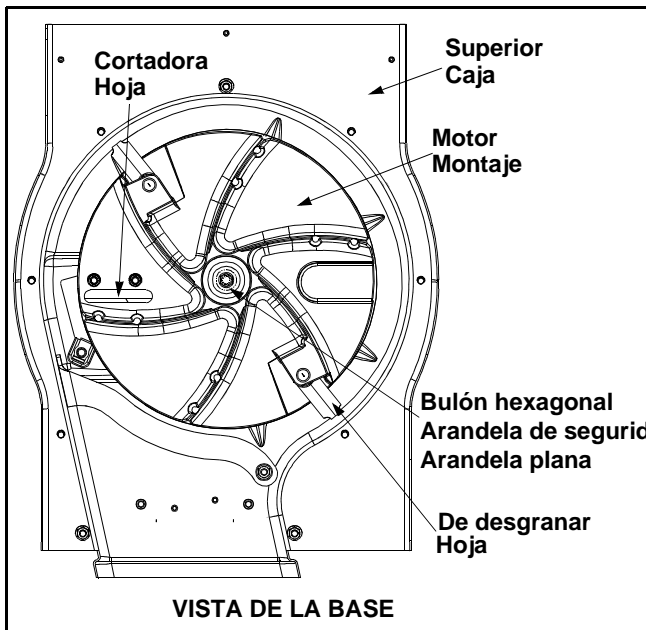


Figura 15

- Aplique lubricante a las roscas de la herramienta que se usa para sacar el motor y luego enrosque la herramienta en el cigüeñal. Deténgase cuando el montaje del motor se pueda mover en el cigüeñal.
- Saque el montaje del motor del cigüeñal. Desenrosque del montaje del motor la herramienta que se utiliza para sacarlo.
- Saque la hoja mediante el uso de una llave allen de 3/16" en el lado exterior de la hoja y de una llave de 1/2" en el montaje del motor.
- Cambie o afile las hojas de la cortadora.
- Cuando afile las hojas, protéjase las manos mediante el uso de guantes y siga el ángulo original de molido.
- Para realizar el reensamblado siga los pasos anteriores pero en orden inverso.
- Ajuste los tornillos de la hoja con un par de torsión de 210-250 in-lbs.
Ajuste el perno del motor con un par de torsión de 375-425 in-lbs.

NOTA: Compruebe que se reensamblen las hojas de la cortadora con el filo hacia arriba. Ver Figura 16.

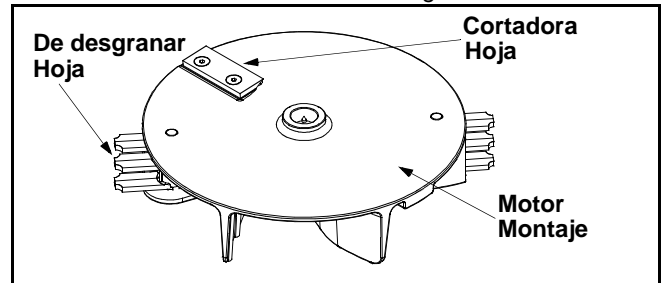


Figura 16

Almacenamiento de la aspiradora para patios

- Limpie el equipo por completo.
- Limpie el equipo con un trapo con aceite para evitar que se oxide.
- Consulte el manual del motor para conocer las instrucciones para el almacenamiento correcto del mismo
- Almacene la unidad en una zona limpia y seca. No la almacene cerca de materiales corrosivos como por ejemplo fertilizantes.

SECCIÓN 6: GUÍA PARA LA SOLUCIÓN DE PROBLEMAS

Problema	Causa	Solución
El motor no arranca	<ol style="list-style-type: none"> 1. Se ha desconectado el cable de la bujía. 2. El tanque de combustible está vacío o el combustible es viejo. 3. La palanca de control del regulador no está en la posición de arranque correcta. (Si está incluida) 4. La palanca de obturación no está en la posición CHOKE (obturación). 5. La línea del combustible está bloqueada. 6. La bujía no funciona correctamente. 	<ol style="list-style-type: none"> 1. Conecte el cable a la bujía. 2. Llene el tanque con gasolina limpia y fresca. 3. Mueva la palanca del regulador a la posición FAST (rápido). 4. Ponga la palanca de obturación en la posición CHOKE (obturación). 5. Limpie la línea del combustible. 6. Límpiela, ajuste la distancia disruptiva o cámbiela.
El motor funciona de manera errática	<ol style="list-style-type: none"> 1. El cable de la bujía está flojo. 2. La unidad está funcionando en la posición CHOKE (obturación). 3. La línea del combustible está tapada o el mismo es viejo. 4. Agua o suciedad en el sistema del combustible. 5. El depurador de aire está sucio. 6. Es necesario ajustar el carburador. 	<ol style="list-style-type: none"> 1. Conecte y ajuste el cable de la bujía. 2. Cambie la palanca de obturación (si está incluida) a la posición OFF (apagado). 3. Limpie la línea del combustible; llene el tanque con gasolina limpia y fresca 4. Vacíe el tanque del combustible. Vuelva a llenarlo con combustible fresco. 5. Limpie o cambie el depurador de aire. 6. Consulte al distribuidor autorizado para el mantenimiento.
Demasiada vibración	<ol style="list-style-type: none"> 1. Hay partes que están flojas o el motor está dañado. 	<ol style="list-style-type: none"> 1. Consulte al distribuidor autorizado para el mantenimiento.
El motor recalienta	<ol style="list-style-type: none"> 1. El nivel de aceite del motor es bajo. 2. El depurador de aire está sucio. 3. El carburador no está ajustado correctamente. 	<ol style="list-style-type: none"> 1. Llene el cárter con aceite adecuado. 2. Limpie o cambie el depurador de aire. 3. Consulte al distribuidor autorizado para el mantenimiento.
Saltos ocasionales (duda) a alta velocidad	<ol style="list-style-type: none"> 1. La distancia disruptiva de la bujía es muy poca. 	<ol style="list-style-type: none"> 1. Ajuste la distancia disruptiva a 0,030".
La unidad no descarga	<ol style="list-style-type: none"> 1. El canal de descarga está tapado. 2. Hay un objeto extraño en el motor. 3. RPM del motor son bajas 4. La bolsa de la aspiradora está llena. 	<ol style="list-style-type: none"> 1. Detenga el motor de inmediato y desconecte el cable de la bujía. Limpie la pantalla de desgranado y el interior de la abertura de descarga. 2. Detenga el motor y desconecte el cable de la bujía. Saque el objeto extraño del motor. 3. Siempre accione el motor con el regulador al máximo. 4. Vacíe la bolsa.
Tasa de descarga se reduce de manera considerable o cambia la composición del material descargado.	<ol style="list-style-type: none"> 1. RPM del motor son bajas. 2. La hoja de la cortadora está desafilada. 	<ol style="list-style-type: none"> 1. Siempre accione el motor con el regulador al máximo. 2. Cambie la hoja de la cortadora o consulte al distribuidor autorizado para el mantenimiento.

NOTA: Si debe realizar reparaciones más importantes que las enunciadas anteriormente comuníquese con el distribuidor autorizado para el mantenimiento más cercano.

GARANTÍA LIMITADA DEL FABRICANTE PARA:



La garantía limitada que se extiende a continuación es otorgada por la empresa MTD PRODUCTS INC ("MTD") con respecto a mercaderías nuevas compradas y utilizadas en los Estados Unidos, sus posesiones y territorios.

MTD garantiza este producto por defectos materiales y de fabricación por un período de dos (2) años a partir de la fecha de la compra original y reparará o cambiará sin cargo cuando lo considere pertinente todas las piezas con defectos materiales o de fabricación. Esta garantía limitada sólo será aplicable si el producto ha sido utilizado y mantenido según lo establecido en el Manual de operación provisto junto con el producto y no ha sufrido usos inadecuados, abuso, usos comerciales, descuidos, accidentes, mantenimiento incorrecto, alteraciones, vandalismo, robo, incendio, agua producto de otros peligros o desastres naturales. El daño resultante por la instalación o el uso de accesorios o uniones no aprobados por MTD Products Inc. para su uso con el(los) producto(s) incluido(s) en este manual anulará la garantía en lo que respecta a esos daños.

Las piezas o componentes desgastables normales están sujetos a condiciones diferentes como se indica a continuación: Todas las fallas de las piezas o componentes desgastables normales estarán cubiertas para el producto por un período de 90 días sin importar la causa. Después de los 90 días, pero dentro del período de dos años, las fallas de las piezas desgastables normales serán cubiertas SOLO SI fueron causadas por los defectos materiales o de fábrica de OTRAS piezas componentes. Las piezas o componentes desgastables normales incluyen pero no se limitan a correas, hojas, adaptadores para hojas, bolsas para pasto, ruedas para la plataforma, asientos, zapatos anti deslizantes para la máquina de sacar nieve, placas y gomas de corte. Las baterías están cubiertas por una garantía de reposición limitada de 90 días.

OBTENCIÓN DEL SERVICIO DE MANTENIMIENTO: El servicio de la garantía está disponible, CON PRUEBA DE COMPRA A TRAVÉS DEL DISTRIBUIDOR LOCAL AUTORIZADO PARA EL MANTENIMIENTO. Para ubicar al distribuidor de su zona, por favor controle si existe una lista en las Páginas amarillas o comuníquese con el Departamento de asistencia al cliente de MTD PRODUCTS INC llamando al 1-800-800-7310 o escribiendo al apartado postal P.O. Box 368022, Cleveland, Ohio 44136-9722.

Esta garantía limitada no lo cubrirá en los siguientes casos:

- a. El motor y las piezas componentes presentes. Estos artículos tienen una garantía diferente a cargo del fabricante. Por favor para estos artículos consulte la garantía aplicable del fabricante.
- b. Las bombas para el corte de madera, las válvulas y los cilindros tienen una garantía independiente de un año.

c. Los artículos necesarios para el mantenimiento de rutina como por ejemplo lubricantes, filtros, afiladores de hojas, las adaptaciones y los ajustes como por ejemplo los ajustes de los frenos, del embrague o de la plataforma y el deterioro normal del acabado exterior debido al uso o exposición.

d. MTD no extiende ninguna garantía para los productos vendidos o exportados fuera de los Estados Unidos de América, sus posesiones y territorios, excepto para aquellos vendidos a través de los canales autorizados de distribución de exportaciones de MTD.

No se aplican garantías implícitas, incluidas las garantías implícitas de comerciabilidad o de adecuación para un propósito determinado, después del período de aplicación de la garantía escrita expresa extendida más arriba para las piezas de acuerdo con su identificación. Ninguna otra garantía expresa, oral o escrita, excepto la mencionada anteriormente, extendida por personas o personas jurídicas, incluidos los distribuidores o los minoristas con respecto a los productos obligará a MTD. Durante el plazo de la garantía el único recurso es la reparación o reemplazo del producto como se indicó anteriormente. (Algunos estados no permiten las limitaciones a la duración de las garantías implícitas por lo que la limitación antes mencionada puede no serle de aplicación.)

Las disposiciones incluidas en esta garantía proveen el recurso único y exclusivo que surge de las ventas. MTD no será responsable por pérdidas o daños incidentales o directos, incluyendo sin límites los gastos incurridos para los servicios de cuidado del pasto de reemplazo o cambio, los gastos de transporte o los gastos relacionados, o los gastos de alquiler para reemplazar de manera transitoria un producto bajo garantía. (Algunos estados no permiten la exclusión o limitación de los daños y perjuicios incidentales o directos, por lo que las limitaciones mencionadas anteriormente pueden no serle de aplicación.)

En ningún caso se obtendrá una compensación mayor al monto del precio de compra del producto vendido. La alteración de las características de seguridad del producto anularán esta garantía. Usted asume el riesgo y la responsabilidad por las pérdidas, daños o lesiones que sufra Usted y sus bienes y / o otras personas y sus bienes como consecuencia del uso, del uso incorrecto o de la imposibilidad de uso de este producto.

Esta garantía limitada alcanza solamente al comprador original, al arrendatario original o a la persona que recibió el producto de regalo.

Relación de la ley estadual con esta garantía: Esta garantía limitada le otorga derechos legales específicos y puede también contar con otros derechos que varían de un estado a otro.

MANUFACTURER'S LIMITED WARRANTY FOR:



The limited warranty set forth below is given by MTD PRODUCTS INC ("MTD") with respect to new merchandise purchased and used in the United States, its possessions and territories.

MTD warrants this product against defects in material and workmanship for a period of two (2) years commencing on the date of original purchase and will, at its option, repair or replace, free of charge, any part found to be defective in material or workmanship. This limited warranty shall only apply if this product has been operated and maintained in accordance with the Operator's Manual furnished with the product, and has not been subject to misuse, abuse, commercial use, neglect, accident, improper maintenance, alteration, vandalism, theft, fire, water or damage because of other peril or natural disaster. Damage resulting from the installation or use of any accessory or attachment not approved by MTD Products Inc. for use with the product(s) covered by this manual will void your warranty as to any resulting damages.

Normal wear parts or components thereof are subject to separate terms as follows: All normal wear part or component failures will be covered on the product for a period of 90 days regardless of cause. After 90 days, but within the two year period, normal wear part failures will be covered ONLY IF caused by defects in material or workmanship of OTHER component parts. Normal wear parts and components include, but are not limited to, belts, blades, blade adapters, grass bags, rider deck wheels, seats, snow thrower skid shoes, shave plates and tires. Batteries are covered by a 90-day limited replacement warranty.

HOW TO OBTAIN SERVICE: Warranty service is available, WITH PROOF OF PURCHASE THROUGH YOUR LOCAL AUTHORIZED SERVICE DEALER. To locate the dealer in your area, please check for a listing in the Yellow Pages or contact the Customer Service Department of MTD PRODUCTS INC by calling 1-800-800-7310 or writing to P.O. Box 368022, Cleveland, Ohio 44136-9722.

This limited warranty does not provide coverage in the following cases:

- a. The engine or component parts thereof. These items carry a separate manufacturer's warranty. Please refer to the applicable manufacturer's warranty on these items.
- b. Log splitter pumps, valves and cylinders have a separate one year warranty.

c. Routine maintenance items such as lubricants, filters, blade sharpening and tune-ups, or adjustments such as brake adjustments, clutch adjustments or deck adjustments; and normal deterioration of the exterior finish due to use or exposure.

d. MTD does not extend any warranty for products sold or exported outside of the United States of America, its possessions and territories, except those sold through MTD's authorized channels of export distribution.

No implied warranty, including any implied warranty of merchantability or fitness for a particular purpose, applies after the applicable period of express written warranty above as to the parts as identified. No other express warranty or guaranty, whether written or oral, except as mentioned above, given by any person or entity, including a dealer or retailer, with respect to any product shall bind MTD. During the period of the Warranty, the exclusive remedy is repair or replacement of the product as set forth above. (Some states do not allow limitations on how long an implied warranty lasts, so the above limitation may not apply to you.)

The provisions as set forth in this Warranty provide the sole and exclusive remedy arising from the sales. MTD shall not be liable for incidental or consequential loss or damages including, without limitation, expenses incurred for substitute or replacement lawn care services, for transportation or for related expenses, or for rental expenses to temporarily replace a warranted product. (Some states do not allow the exclusion or limitation of incidental or consequential damages, so the above exclusion or limitation may not apply to you.)

In no event shall recovery of any kind be greater than the amount of the purchase price of the product sold. Alteration of the safety features of the product shall void this Warranty. You assume the risk and liability for loss, damage, or injury to you and your property and/or to others and their property arising out of the use or misuse or inability to use the product.

This limited warranty shall not extend to anyone other than the original purchaser, original lessee or the person for whom it was purchased as a gift.

How State Law Relates to this Warranty: This limited warranty gives you specific legal rights, and you may also have other rights which vary from state to state.