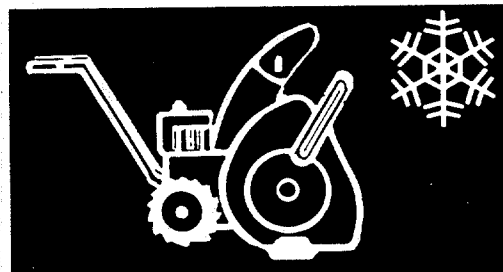
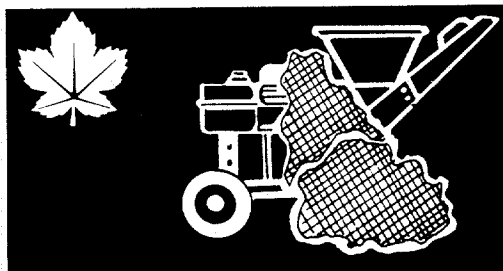
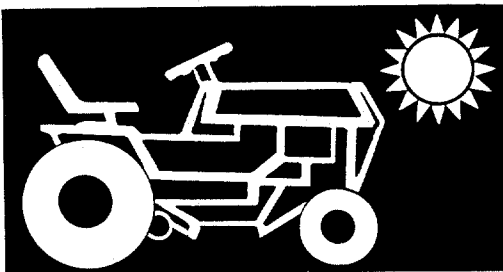
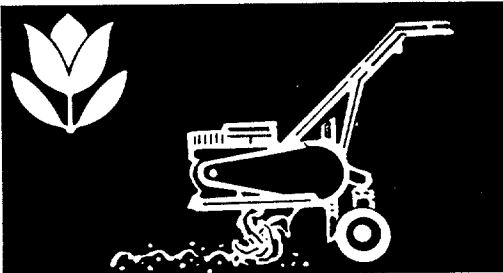


OWNER'S GUIDE

OUTDOOR POWER EQUIPMENT
for all seasons



LAWN TRACTORS

(12½, 14, 16 and 18 H.P.)

Model Numbers

- 138-722-000 138-742-000
- 138-723-000 138-743-000
- 138-727-000 138-747-000
- 138-728-000 138-748-000
- 138-732-000 138-752-000
- 138-733-000 138-753-000
- 138-737-000 138-757-000
- 138-738-000 138-758-000

TURNING RADIUS 5' 2" INSIDE ~~END~~
11' 2" OUTSIDE

IMPORTANT:

Read Safety Rules and
Instructions Carefully

Thank you for purchasing
an American-built product.

INDEX

Slope Gauge	3
Contents of Hardware Pack	4
Rules for Safe Operation	5
Assembly	6
Controls	11
Operation	12
Adjustments	13
Lubrication	14
Maintenance	14
Off-Season Storage	17
Trouble Shooting Chart	18, 19
Illustrated Parts for Tractor	20-31
Optional Equipment	31
Illustrated Parts for Transaxle	32, 33
Electrical Diagrams and Parts Lists	34, 35
Parts Ordering Information	Back Cover

Dear Customer,

So often throughout the year we are all in a rush to meet our daily obligations.

However, we at MTD Products Inc are taking a quick moment out to say . . .

“Thank you for your business.”

Sincerely,
MTD PRODUCTS INC



INSTRUCTIONS GIVEN WITH THIS SYMBOL ARE FOR PERSONAL SAFETY. BE SURE TO FOLLOW THEM.

LIMITED WARRANTY

For one year from the date of original retail purchase, MTD PRODUCTS INC will either repair or replace, at its option, free of charge, F.O.B. factory or authorized service firm, any part or parts found to be defective in material or workmanship. Transportation charges for the movement of any power equipment unit or attachment are the responsibility of the purchaser. Transportation charges for any parts submitted for replacement under this warranty must be paid by the purchaser unless such return is requested by MTD PRODUCTS INC.

This warranty will not apply to any part which has become inoperative due to misuse, excessive use, accident, neglect, improper maintenance, alterations, or unless the unit has been operated and maintained in accordance with the instructions furnished. This warranty does not apply to the engine, motor, battery, battery charger or component parts thereof. Please refer to the applicable manufacturer's warranty on these items.

This warranty will not apply where the unit has been used commercially.

Warranty service is available through your local authorized service dealer or distributor. If you do not know the dealer or distributor in your area, please write to the Customer Service Department of MTD.

The return of a complete unit will not be accepted by the factory unless prior written permission has been extended by MTD.

This warranty gives you specific legal rights. You may also have other rights which vary from state to state.

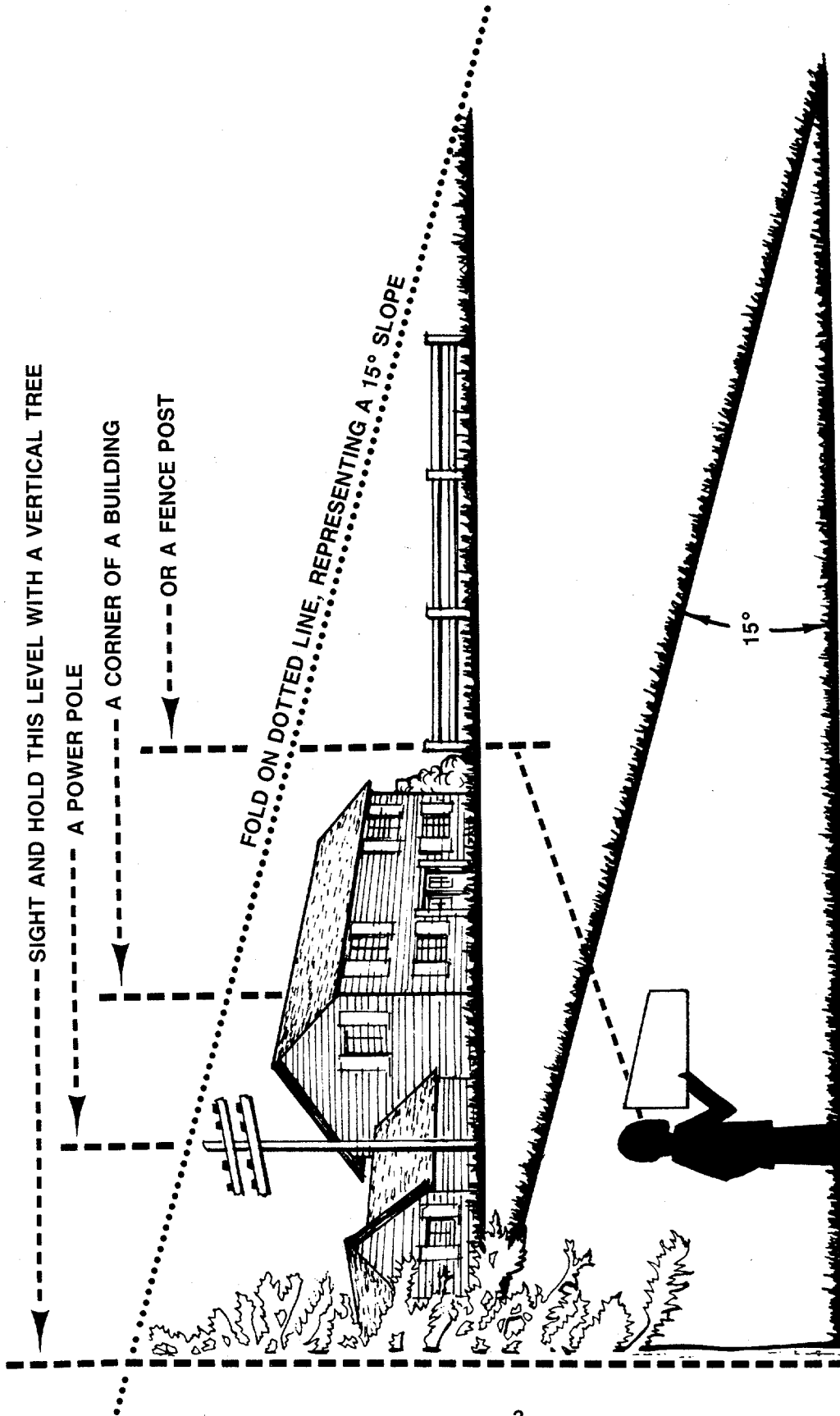
WARNING: This unit is equipped with an internal combustion engine and should not be used on or near any unimproved forest-covered, brush-covered or grass covered land unless the engine's exhaust system is equipped with a spark arrester meeting applicable local or state laws (if any). If a spark arrester is used, it should be maintained in effective working order by the operator.

In the State of California the above is required by law (Section 4442 of the California Public Resources Code). Other states may have similar laws. Federal laws apply on federal lands. A spark arrester for the muffler is available through your nearest engine authorized service center.

CUT ALONG THIS LINE
USE THIS SHEET AS A GUIDE TO DETERMINE SLOPES WHERE YOU MAY NOT OPERATE SAFELY.

SLOPE GAUGE

(Keep this sheet in a safe place for future reference.)



Do not mow on inclines with a slope in excess of 15 degrees (a rise of approximately 2½ feet every 10 feet). A riding mower could overturn and cause serious injury. If operating a walk-behind mower on such a slope, it is extremely difficult to maintain your footing and you could slip, resulting in serious injury.

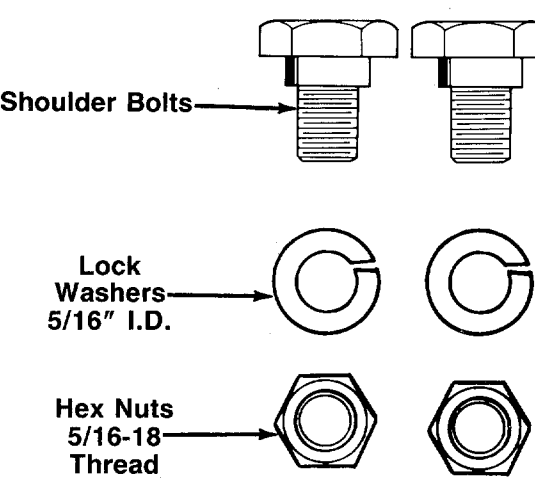
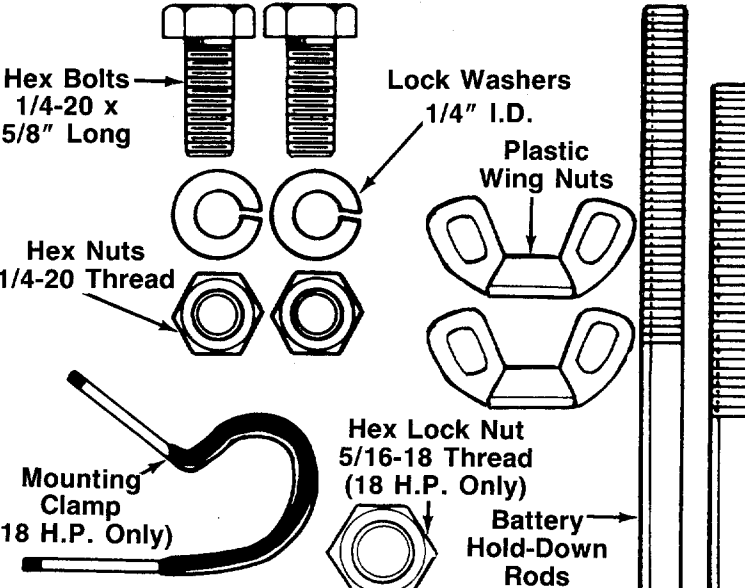
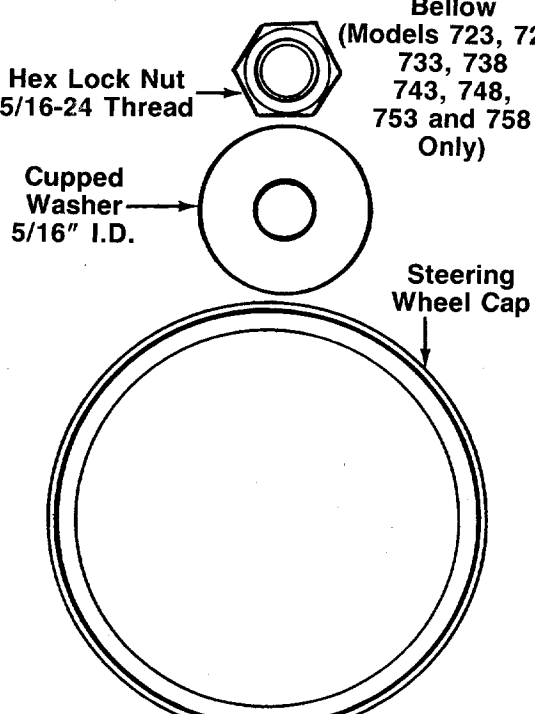
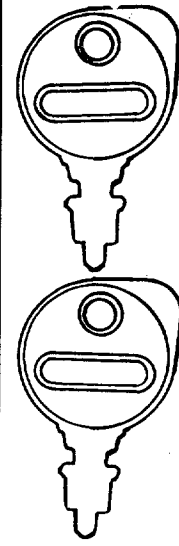
Operate RIDING mowers up and down slopes, never across the face of slopes.

Operate WALK-BEHIND mowers across the face of slopes, never up and down slopes.

CONTENTS OF HARDWARE PACK

Remove this sheet from your owner's manual and lay the hardware on the illustration for identification purposes. Refer to the separate deck manual for any information concerning the deck. After assembly, keep the Slope Gauge which is on the reverse side of this sheet for future use.

(Hardware pack may contain extra items which are not used on your unit.)

<p>A SEAT ASSEMBLY (Models 723, 728, 733, 738, 743, 743, 753 and 758 Only)</p>  <p>Shoulder Bolts</p> <p>Lock Washers 5/16" I.D.</p> <p>Hex Nuts 5/16-18 Thread</p>	<p>C INSTALLING THE BATTERY (Black Plastic Battery Cover Is Not Shown)</p>  <p>Hex Bolts 1/4-20 x 5/8" Long</p> <p>Lock Washers 1/4" I.D.</p> <p>Hex Nuts 1/4-20 Thread</p> <p>Plastic Wing Nuts</p> <p>Mounting Clamp (18 H.P. Only)</p> <p>Hex Lock Nut 5/16-18 Thread (18 H.P. Only)</p> <p>Battery Hold-Down Rods</p>
<p>B STEERING WHEEL INSTALLATION</p>  <p>Hex Lock Nut 5/16-24 Thread</p> <p>Cupped Washer 5/16" I.D.</p> <p>Steering Wheel Cap</p> <p>Steering Bellow (Models 723, 728, 733, 738, 743, 748, 753 and 758 Only)</p>	<p>D IGNITION KEYS (May be Attached to Tractor)</p> 


Cut Along This Line



IMPORTANT

RULES FOR SAFE OPERATION



THIS SYMBOL POINTS OUT IMPORTANT SAFETY INSTRUCTIONS WHICH, IF NOT FOLLOWED, COULD ENDANGER THE PERSONAL SAFETY AND/OR PROPERTY OF YOURSELF AND OTHERS. READ AND FOLLOW ALL INSTRUCTIONS IN THIS MANUAL BEFORE ATTEMPTING TO OPERATE YOUR UNIT. FAILURE TO COMPLY WITH THESE INSTRUCTIONS MAY RESULT IN PERSONAL INJURY. WHEN YOU SEE THIS SYMBOL—  **HEED ITS WARNING.**



DANGER

Your unit was built to be operated according to the rules for safe operation in this manual. As with any type of power equipment, carelessness or error on the part of the operator can result in serious injury. If you violate any of these rules, you may cause serious injury to yourself or others.

1. READ THIS OWNER'S MANUAL carefully in its entirety before attempting to assemble or operate this unit. Keep this manual in a safe place for future and regular reference and for ordering replacement parts.
2. This unit is a precision piece of power equipment, not a plaything. Therefore exercise extreme caution at all times.
3. Know the controls and how to stop the machine quickly.
4. Do not allow children to operate vehicle. Do not allow adults to operate it without proper instruction. Only persons well acquainted with these rules of safe operation should be allowed to use your mower.
5. Wear sturdy, rough-soled work shoes and close-fitting slacks and shirts to avoid entanglement in the moving parts. Never operate a unit in bare feet, sandals, or sneakers.
6. To prevent injury, do not carry passengers or give rides. Keep children, pets and bystanders out of the area while mowing. Only the operator should ride on the unit and only ride in the seat.
7. Check overhead clearance carefully before driving under power lines, guy wires, bridges or low hanging tree branches, before entering or leaving buildings, or in any other situation where the operator may be struck or pulled from the unit, which could result in serious injury.
8. To maintain control of the unit and reduce the possibility of upset or collision, operate the tractor smoothly. Avoid erratic operation and excessive speed.
9. Keep the area of operation clear of all persons, particularly small children and pets. Stop engine when they are in the vicinity of your mower. Although the area of operation should be completely cleared of foreign objects, a small object may have been overlooked and could be accidentally thrown by the mower in any direction and cause injury to you or a bystander.
10. Stop the blade(s) when crossing gravel drives, walks or roads.
11. Disengage all attachment clutches and shift into neutral before attempting to start engine.
12. Disengage power to attachment(s) and stop engine before leaving operating position.
13. Do not put hands or feet near or under rotating parts. Keep clear of the discharge opening at all times as the rotating blade(s) can cause injury.
14. Disengage power to attachment(s) and stop engine before making any repairs or adjustments. Disconnect the spark plug wire and keep the wire away from the plug to prevent accidental starting.
15. Before attempting to unclog the mower or discharge chute, stop the engine. The mower blade(s) may continue to rotate for a few seconds after the engine is shut off. Therefore, be sure the blade(s) have stopped completely. Disconnect the spark plug wire and keep the wire away from the plug to prevent accidental starting.
16. Disengage power to attachment(s) when transporting or not in use.
17. Take all possible precautions when leaving vehicle unattended such as disengaging power take-off, lowering attachments, shifting into neutral, setting parking brake, stopping engine and removing key.
18. For your safety, use the slope gauge included as part of this manual to measure slopes before operating this unit on a sloped or hilly area. If the slope is greater than 15° as shown on the slope gauge, do not operate this unit on that area or serious injury could result.
19. Do not stop or start suddenly when going uphill or downhill. Mow up and down face of steep slopes; never across the face. Use extreme caution if it is necessary to drive the tractor up an incline or back the tractor down an incline because the front of the tractor could lift and rapidly flip over backward which could cause serious injury.
20. Reduce speed on slopes and in sharp turns to prevent tipping or loss of control. Always keep the tractor in gear when going down steep hills to take advantage of engine braking action.
21. Stay alert for holes in terrain and other hidden hazards which may cause the unit to tip over.
22. Use care when pulling loads or using heavy equipment.
 - A. Use only approved drawbar hitch points.
 - B. Limit loads to those you can safely control.
 - C. Do not turn sharply. Use care when backing.
 - D. Use counterweight(s) or wheel weights when suggested in owner's manual.
23. Watch out for traffic when crossing or near roadways.
24. When using any attachments, never direct discharge of material toward bystanders nor allow anyone near vehicle while in operation.
25. Handle gasoline with care. It is highly flammable.
 - A. Use approved gasoline container.
 - B. Never remove cap or add gasoline to a running or hot engine or fill fuel tank indoors. Wipe up spilled gasoline.
 - C. Open doors if engine is run in garage. Exhaust fumes are dangerous. Do not run engine indoors.

Rules for Safe Operation (continued)

26. Keep the vehicle and attachments in good operating condition, and keep safety devices in place. Use guards as instructed in operator's manual.
27. Keep all nuts, bolts, and screws tight to be sure the equipment is in safe working condition.
28. Never store the machine with fuel in the fuel tank inside a building where ignition sources are present, such as hot water and space heaters, clothes dryers, and the like. Allow the engine to cool before storing in any enclosure.
29. To reduce fire hazard, keep engine free of grass, leaves or excessive grease.
30. The vehicle and attachments should be stopped and inspected for damage after striking a foreign object. The damage should be repaired before restarting and operating the equipment.
31. Do not change the engine governor settings or overspeed the engine.
32. When using the vehicle with mower, proceed as follows:
 - (1) Mow only in daylight or in good artificial light.
 - (2) Never make a cutting height adjustment while engine is running if operator must dismount to do so.
 - (3) Shut the engine off and wait until the blade comes to a complete stop before removing the grass catcher.
 - (4) Check blade mounting bolts for proper tightness at frequent intervals.
33. Check grass catcher bags frequently for wear or deterioration. For safety protection, replace only with new bag meeting original equipment specifications.
34. Look behind to make sure the area is clear before placing the transmission in reverse and continue looking behind while backing up. Disengage blades before shifting into reverse and backing up.
35. This unit should not be driven up a ramp onto a trailer or truck under power, because the unit could tip over, causing serious personal injury. The unit must be pushed manually to load properly.

➡ IMPORTANT: This unit is shipped **WITHOUT GASOLINE or OIL**; however, a small amount of oil may be present from the factory. Do not overfill. After assembly, service engine with gasoline and oil as instructed in the separate engine manual packed with your unit.

➡ NOTE: Reference to right or left hand side of the unit is observed from the driver's seat, facing forward. Refer to the separate deck manual for all information concerning the deck.

ASSEMBLY

This owner's manual covers various models of lawn tractors. The units illustrated may vary slightly from your unit. Follow the instructions which pertain to your unit.

UNPACKING

1. Remove the carton from the tractor as follows. Cut and remove the bands around the carton. Open the top flaps and remove all carton inserts. Lift the carton off the tractor. Roll the tractor off the skid. Make certain all parts and literature have been removed from the carton before the carton is discarded.
2. Remove page four from this manual and lay the contents of the hardware pack on the illustration for identification.

BATTERY INFORMATION



- A. Battery acid must be handled with great care as contact with it can burn and blister the skin. It is also advisable to wear protective clothing (goggles, rubber gloves and apron) when working with it.*

- B. Should battery acid accidentally splatter into the eyes or onto the face, rinse the affected area immediately with clean, cold water. If there is any further discomfort, seek prompt medical attention.
- C. If acid spills on clothing, first dilute it with clean water, then neutralize with a solution of ammonia/water or baking soda/water.
- D. Since battery acid is corrosive, do not pour it into any sink or drain. Before discarding empty electrolyte containers, rinse them with a neutralizing solution.
- E. NEVER connect or disconnect charger clips to battery while charger is turned on as it can cause sparks.
- F. Keep all lighted materials (cigarettes, matches, lighters) away from the battery as the hydrogen gas generated during charging can be combustible.
- G. As a further precaution, only charge the battery in a well-ventilated area.
***Always shield eyes, protect skin and clothing when working near batteries.**

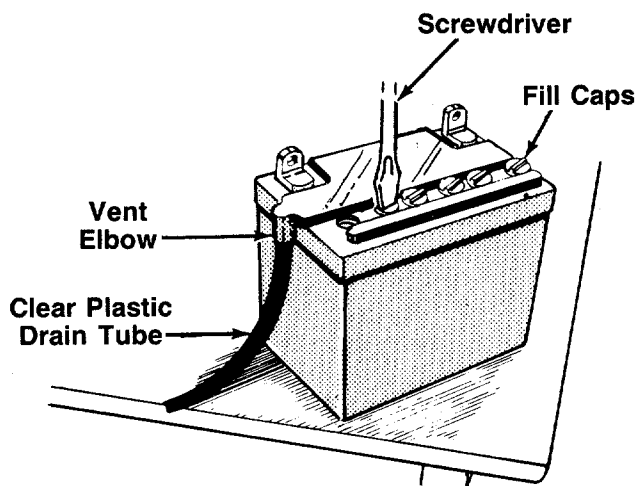


FIGURE 1.

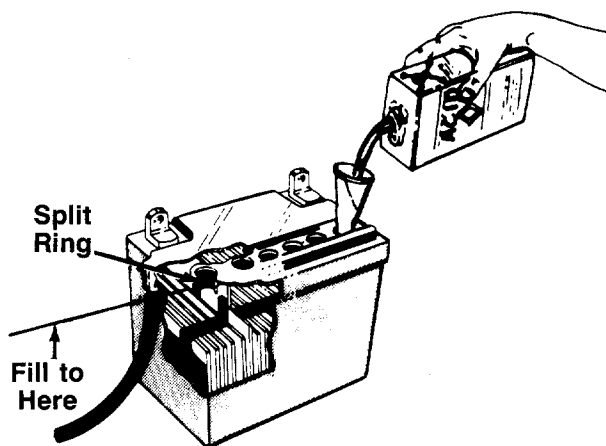


FIGURE 2.

ACTIVATING THE BATTERY

Do not activate battery (fill with battery acid) until battery is actually placed in service. Be certain to read previous warnings before activating the battery.

1. Open the battery pack. Be careful not to puncture the box. It contains the battery with a long plastic tube attached, battery fluid (acid) in a cardboard container and one cone.
2. Place the battery on a table or workbench. Make certain the long plastic drain tube is in place on the vent elbow.
3. Remove the six fill caps from the top of the battery with a screwdriver. Be careful not to damage the fill caps. See figure 1.
4. Cut off the tip of the cone for use as a funnel.
5. Place the battery fluid container upright on the table or workbench. Carefully remove the flap on the box, and pull out the plastic tube. Cut off the tip of the plastic tube. Do not squeeze the container when cutting the tip.
6. Fill each battery cell slowly and carefully to the split ring at the bottom of the well. See figure 2. Use caution as the acid level will rise rapidly after the bottom of the cell is filled. **DO NOT OVERFILL.**
7. Allow battery to stand for 30 minutes with the fill caps removed, while the plates absorb acid.
8. If acid level has fallen after the 30 minute standing period, refill each cell with battery acid to the split ring. Replace the fill caps.
9. Before discarding the empty container, neutralize any residue with baking soda and rinse container with water. Puncture container several times before discarding.
10. Charge the battery after the 30 minute standing period. **SLOW CHARGE THE BATTERY (DO NOT FAST CHARGE)** at a maximum bench rate of 5 amperes until the specific gravity reading is 1.265 (approximately 30 minutes).



Battery contains sulfuric acid. Refer to warning on page 6. Antidote: EXTERNAL—Flush with water. INTERNAL—Drink large quantities of water or milk. Follow with milk of magnesia, beaten egg or vegetable oil. Seek prompt medical attention. EYES: Flush with cool water for at least 15 minutes, then seek immediate medical attention.

Since batteries produce explosive gases, keep all lighted materials (cigarettes, lighters, matches, etc.) away. Be sure to charge battery only in well-ventilated areas.

**KEEP BATTERIES
OUT OF THE REACH OF CHILDREN!**

NOTE

After battery has been in service, add only distilled water to replace normal loss. Do not add acid.

NOTE

This engine is equipped with an alternator. The current for the battery charger alternator is unregulated. During normal operation, it is only necessary to charge the battery:

1. When it is activated for the first time.
2. Before winter storage.
3. Before using the tractor after winter storage.

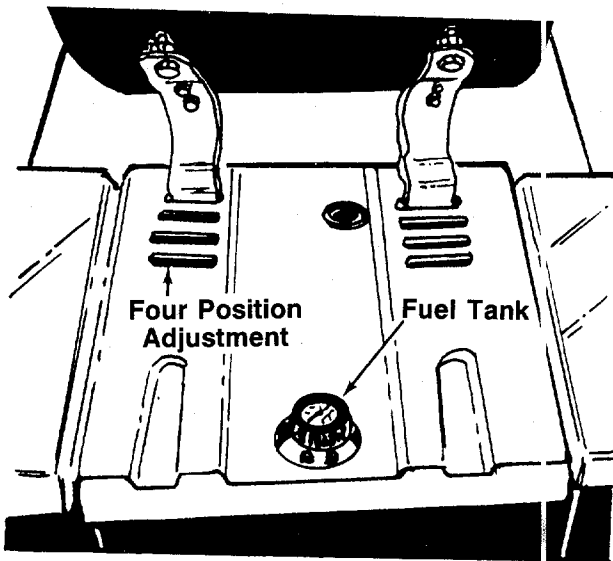


FIGURE 3A.—Models 722, 727, 732, 737, 742, 747, 752 and 757

SEAT ASSEMBLY (Hardware A)

1. **Models 722, 727, 732, 737, 742, 747, 752 and 757:** The seat can be adjusted to four positions. With the seat tipped forward, hook the front of the seat spring into the slots on the tractor frame. Allow the seat to pivot backwards until it rests on the rear of the springs. See figure 3A.

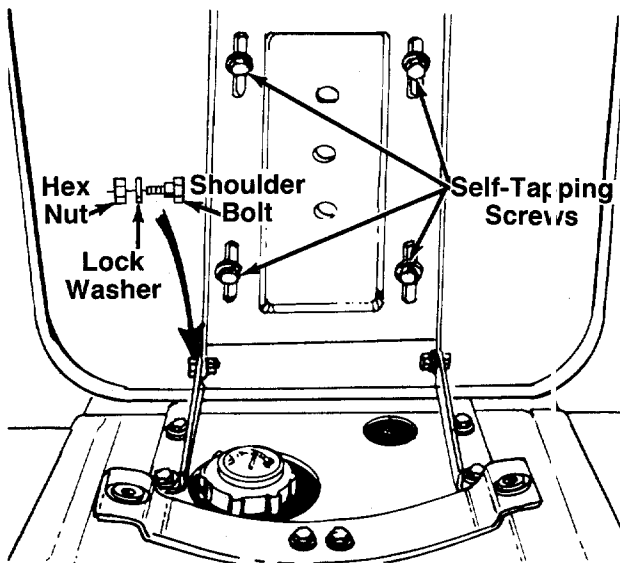


FIGURE 3B.—Models 723, 728, 733, 738, 743, 748, 753 and 758

2. **Models 723, 728, 733, 738, 743, 748, 753 and 758:** Place the seat in position against the seat brackets. Secure each side of seat with shoulder bolts, lock washer and hex nut. Crown side of washers should be against the head of the bolt and the nut. See figure 3B.

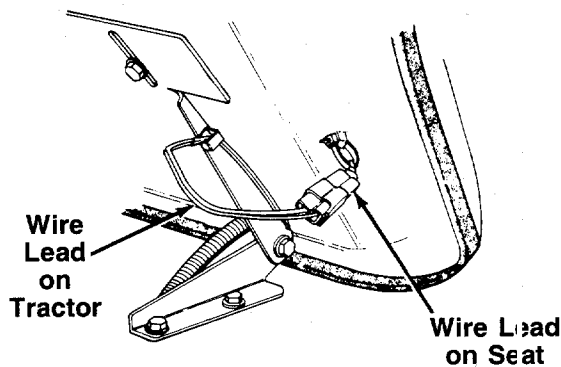


FIGURE 4.—Models 723, 728, 733, 738, 743, 748, 753 and 758

2. **All Models:** Plug the wire lead which is in the wire harness beneath the seat into the plug on the wire lead extending from the right hand side of the seat. Make certain to route the wire in front of the right hand seat bracket so the wire is not pinched when raising and lowering the seat on models 723, 728, 733, 738, 743, 748, 753 and 758. See figure 4.



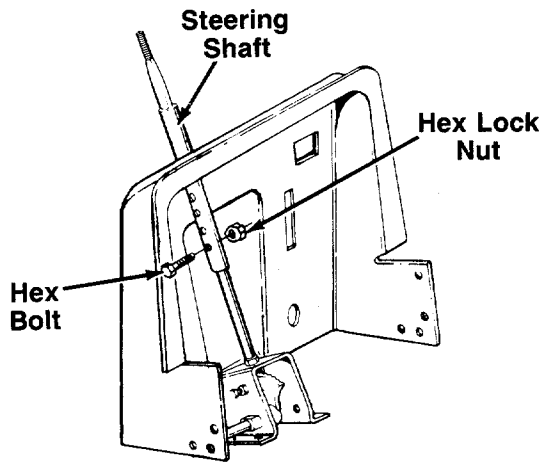
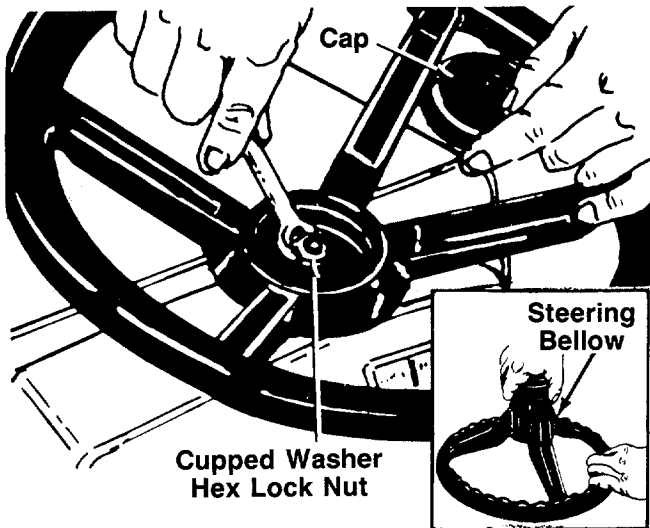


FIGURE 5.—Models 723, 728, 733, 738, 743, 748, 753 and 758

STEERING WHEEL INSTALLATION (Hardware B)

1. **Models 723, 728, 733, 738, 743, 748, 753 and 758 only:** There are four height positions for the steering wheel. For shipping purposes, the steering shaft is assembled in the lowest position. Lift the hood of the tractor. Remove the hex bolt and hex lock nut on the steering shaft. Raise the shaft to desired position and secure with hex bolt and hex lock nut. See figure 5.



2. **Models 723, 728, 733, 738, 743, 748, 753 and 758 only:** Attach one end of the plastic steering bellow to the steering wheel as shown in figure 6, inset.
3. Position the front wheels of the tractor so they are pointing straight forward.
4. Place the steering wheel (and steering bellow, if so equipped) over the steering shaft extending through the dash, positioning steering wheel as desired.
5. Place the washer with the cupped side down over the steering column. Secure with 5/16" hex lock nut. See figure 6.
6. Place the steering wheel cap over the center of the steering wheel and seat it with your hand.



FIGURE 6.

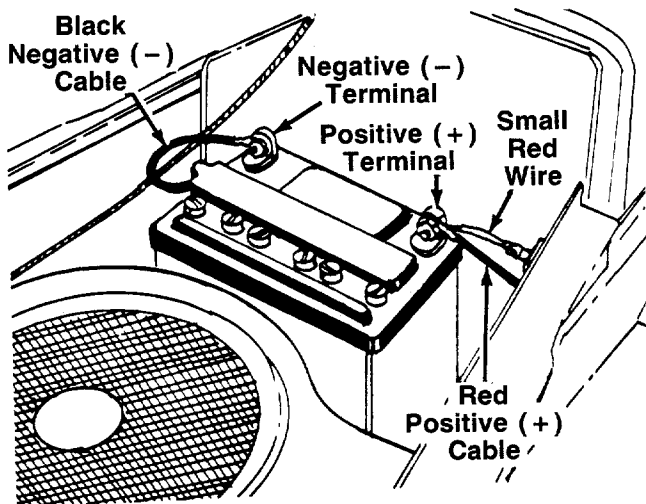


FIGURE 7.

INSTALLING THE BATTERY (Hardware C)

NOTE

The positive battery terminal is marked Pos. (+). The negative battery terminal is marked Neg. (-).

1. Place the battery on the battery plate with the terminals towards the rear of the tractor.
2. Attach the positive cable (heavy red wire) and the small red wire (from the circuit breaker) to the positive battery terminal (+) with hex bolt 5/8" long, 1/4" lock washer and hex nut. See figure 7.
3. Attach the negative cable (heavy black wire) to the negative battery terminal (-) with the other hex bolt 5/8" long, 1/4" lock washer and hex nut.



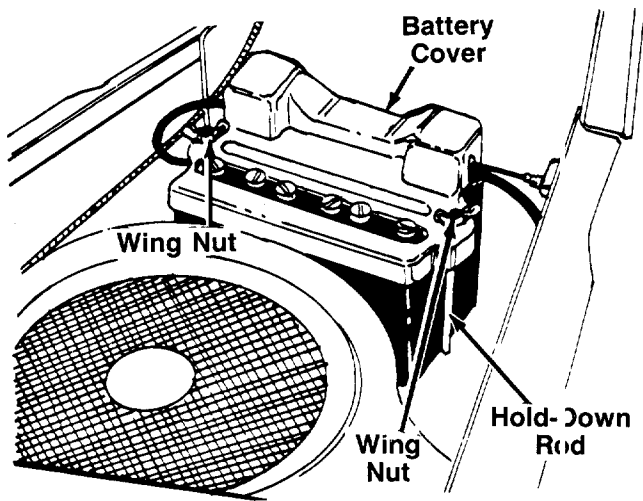


FIGURE 8.

4. Hook one hold-down rod into the hole in battery plate beside the battery. See figure 8. Place the black plastic battery cover in position over the hold-down rod. Secure with wing nut. Attach other hold-down rod to the other side of battery cover in the same manner.

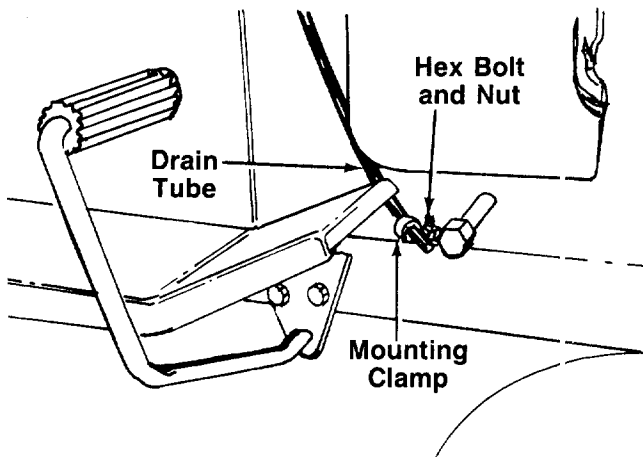


FIGURE 9A.—18 H.P. Models

5. **18 H.P. models only:** Route the battery drain tube down beside the oil drain pipe on the **right** side of the tractor. Slip the end of the drain tube into the mounting clamp provided in hardware pack. Secure the mounting clamp to the tractor by placing the clamp over the hex bolt and nut which hold the engine pulley belt guard to the frame. Secure in place with hex lock nut. See figure 9A.

All other models: Route the battery drain tube down beside the oil drain pipe on the **left** side of the tractor. Slip the end of the drain tube into the mounting clamp which is attached to the left side of the frame as shown in figure 9B.

NOTE

The vented battery allows any gases or liquid from the battery to be drained onto the ground.

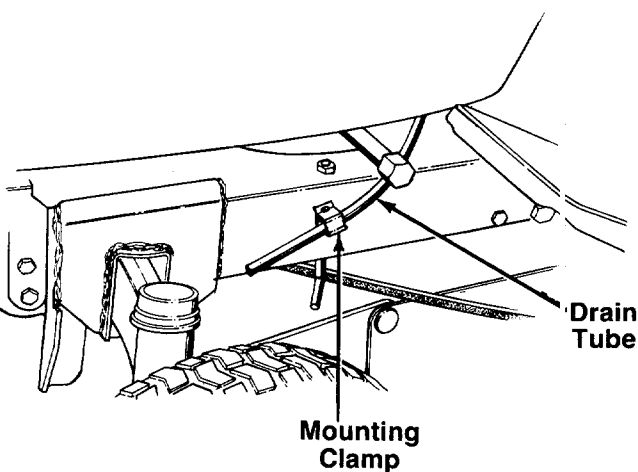


FIGURE 9B.—All Other Models

TIRE PRESSURE

For shipping purposes, the tires on your unit may be over-inflated. Tire pressure should be reduced before unit is put into operation. Recommended operating tire pressure should be 10 p.s.i.

Check sidewall of tire for manufacturer's maximum tire pressure. If this information does not appear on your tire, maximum tire pressure under any circumstances is 30 p.s.i. Equal tire pressure should be maintained on all tires.

CONTROLS

IGNITION SWITCH

The ignition switch is located on the dashboard. Turn the key to the START position to start the engine. When the engine is running, leave the key in the ON position. To stop the engine, turn the key to the OFF position. See figure 10.



WARNING

Remove the key from the tractor when the tractor is not in use to prevent accidental starting.

THROTTLE CONTROL

The throttle control is located on the left side of the dashboard and is used to regulate the engine speed. See figure 10. The engine should be operated from $\frac{3}{4}$ to full throttle (FAST) when operating any equipment that uses the tractor engine as a source of power such as the mowing deck, snow thrower or rotary tiller.

CHOKE CONTROL

The choke control is located on the right side of the dashboard and is operated manually. Details for the choke operation are covered in the separate engine manual packed with your unit. See figure 10.

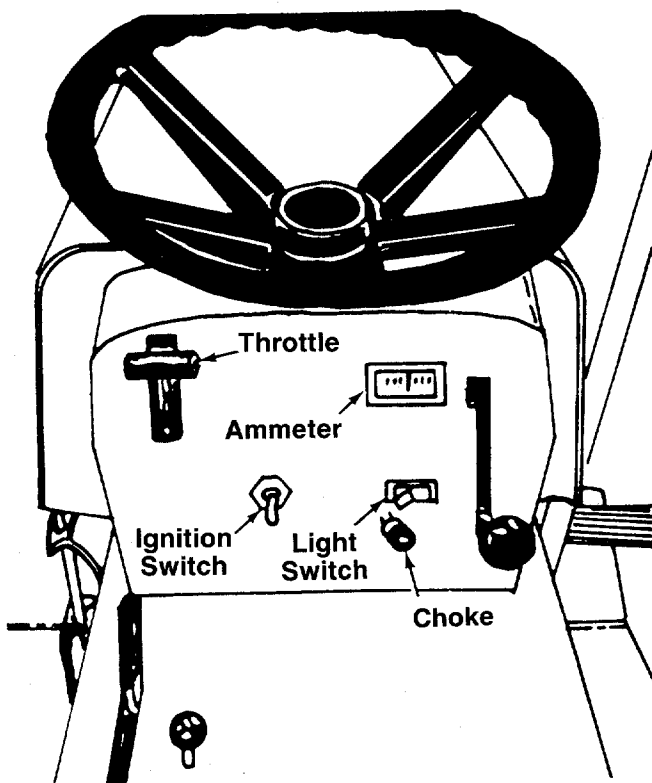


FIGURE 10.—Models 722, 727, 732, 737, 742, 747 and 757

LIGHT SWITCH

The head lamps are operated by pushing the light switch located on the dashboard. The head lamps will only operate when the engine is running. See figure 10.

AMMETER

The ammeter registers the rate of battery charge or discharge. The ammeter will register on the discharging side with starting the engine. It should register on the opposite side (charging) when the engine is running in the fast position until the battery is completely charged. With a fully charged battery or with the engine idling, the ammeter will not show a charge. See figure 10.

GASOLINE TANK

The gasoline tank is located under the tractor seat. Tip the seat forward to fill the tank. Refer to figure 3. Be careful not to pinch the wire lead to the seat switch when raising and lowering the seat.

GEAR SHIFT LEVER

The transaxle has five forward gears, neutral and reverse. Do **not** shift through the gears on the transaxle as you would in an automobile. Pre-select the gear appropriate for the job you are doing. See figure 11.

You must depress the clutch-brake pedal and come to a complete stop before shifting gears.

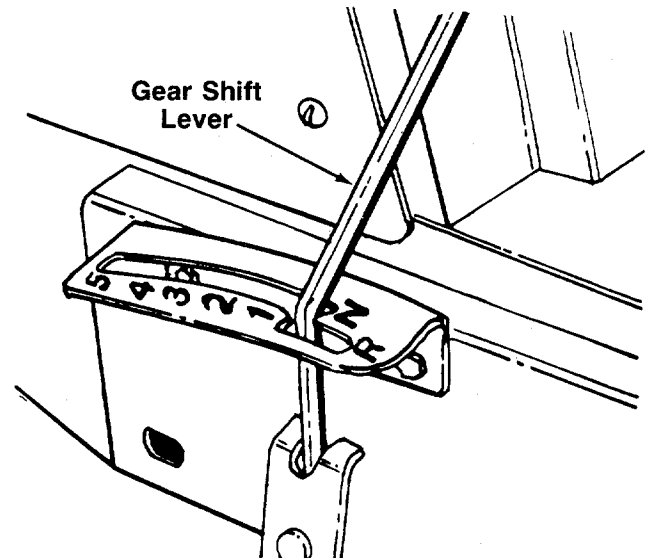


FIGURE 11.

CLUTCH-BRAKE PEDAL

The clutch-brake pedal is located on the right side of the tractor. See figure 12. Depressing the clutch-brake pedal part way disengages the clutch. Pressing the pedal all the way down disengages the clutch and engages the disc brake.



The clutch-brake pedal must be depressed to start the engine.

PARKING BRAKE

To set the parking brake, depress the clutch-brake pedal and pull up the parking brake knob. It will stay in the raised position. To release the parking brake, depress and release the clutch-brake pedal. See figure 12.

INCLINE ASSISTANCE BRAKE LEVER

When stopping on a hill, hold the incline assistance brake lever back while you release the clutch-brake pedal until the tractor begins to move, then release the lever. This lever permits smoother starts and clutch engagement by holding the tractor during the brake release/clutch engagement operation. See figure 12.

LIFT LEVER

The five position lift lever is used to change the operating position of the attachments. To operate, pull the lever towards you. To release, move the lever to the right and then forward. See figure 12.

POWER TAKE-OFF (PTO) LEVER

The PTO lever is located on the right side of the dashboard. To engage the PTO, lift the lever slowly and lock it into the notch. See figure 12.

NOTE

The PTO lever **must** be in the disengaged position (down) when starting the engine when shifting into reverse and if the operator leaves the seat.

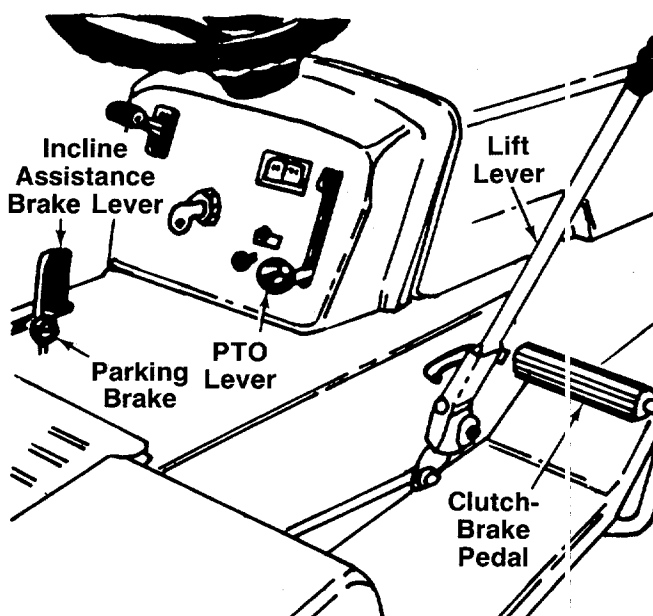


FIGURE 12.

OPERATION

CAUTION

- READ OPERATOR'S MANUAL(S)
- NEVER CARRY CHILDREN
- KNOW LOCATION AND FUNCTION OF ALL CONTROLS
- KEEP SAFETY DEVICES (GUARDS, SHIELDS AND SWITCHES) IN PLACE AND WORKING
- REMOVE OBJECTS THAT COULD BE THROWN BY BLADE(S)
- DO NOT OPERATE THE UNIT WHEN CHILDREN AND OTHERS ARE AROUND
- ALWAYS LOOK BEHIND THE UNIT BEFORE BACKING UP
- DO NOT OPERATE THE UNIT WHERE IT COULD SLIP OR TIP
- IF THE UNIT STOPS GOING UPHILL, STOP BLADE(S) AND BACK SLOWLY DOWNHILL
- BE SURE BLADE(S) AND ENGINE ARE STOPPED BEFORE PLACING HANDS OR FEET NEAR BLADE(S)
- BEFORE LEAVING OPERATOR'S POSITION, SHUT ENGINE OFF AND REMOVE KEY

GAS AND OIL FILL-UP

Service the engine with gasoline and oil as instructed in the separate engine manual packed with your tractor. Read instructions carefully.

NOTE

Your tractor is shipped without oil; however, a small amount of oil may be present from the factory. Do not overfill.



WARNING

Never fill fuel tank indoors, with engine running or while engine is hot.

OPERATING THE TRACTOR

NOTE

This unit is equipped with a **safety interlock system** for your protection. The purpose of the safety interlock system is to prevent the engine from cranking or starting unless the clutch-brake pedal is depressed and the PTO lever is in the disengaged position. In addition, the PTO lever must be in the disengaged position when the unit is put into reverse or the engine will shut off. If the operator leaves the seat with the PTO lever engaged, the engine will shut off.



WARNING

Do not operate the tractor if the interlock system is malfunctioning because it is a safety device, designed for protection.

1. Place the PTO lever in the disengaged (down) position.
2. Pull out the choke control. A warm engine requires less choking.
3. Set the throttle control in the FAST position.
4. Depress the clutch-brake pedal and hold it down.
5. Turn the ignition key to the START position. After the engine starts, release the key.
6. Slowly push in the choke as the engine warms up.
7. With the clutch-brake pedal depressed, move the gear shift lever into one of the forward gears or reverse.
8. Slowly release the clutch-brake pedal and the tractor will move forward.
9. When stopping, depress the clutch-brake pedal. This will apply both the clutch and the brake.
10. To shut off the engine, turn the ignition key to the left to the OFF position. Remove the key to prevent accidental starting while equipment is unattended.



IMPORTANT

If you strike a foreign object, stop the engine. Remove wire from spark plug, thoroughly inspect the mower for any damage, and repair the damage before restarting and operating the mower.



NOTE

If any problems are encountered, refer to the Trouble Shooting Chart on page 18.

ADJUSTMENTS



WARNING

Disconnect the spark plug wire and ground against the engine before performing any adjustments, repairs or maintenance.

SEAT ADJUSTMENT

Models 722, 727, 732, 737, 742, 747, and 757:

The tractor seat is adjustable to four positions. To change positions, tip the seat all the way forward and lift it out of the slots on each side. Refer to figure 3A.

Models 723, 728, 733, 738, 743, 748, 753 and 758:

To adjust the position of the seat, loosen the four self-tapping screws on the bottom of the seat. See figure 3B. Slide the seat forward or backward as desired. Retighten the self-tapping screws.

BRAKE ADJUSTMENT

During normal operation of this machine, the brakes are subject to wear and will require periodic examination and adjustment.



WARNING

Do not adjust the brake while the engine is running. Be sure to block the wheels of the tractor before making the brake adjustment.

1. Loosen the jam nut. See figure 13.

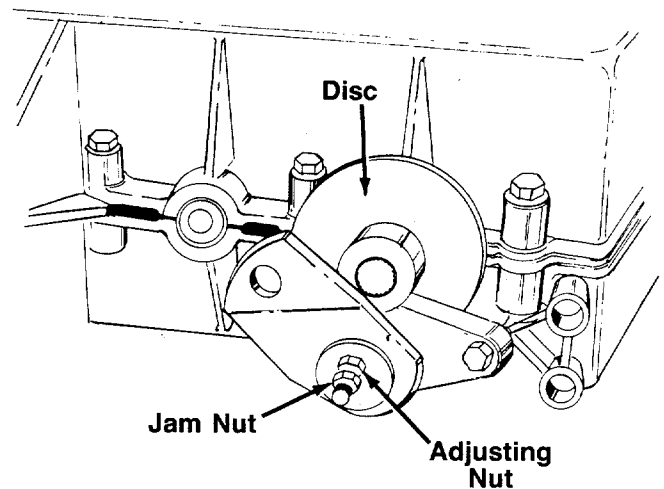


FIGURE 13.

2. Turn the adjusting nut in until it locks the disc.
3. Back off the adjusting nut one complete turn.
4. Tighten the jam nut.

LEVELING THE DECK

1. Check tire pressure in all four tires. Recommended pressure is 10 p.s.i.
2. Make certain all deck wheels are mounted in same relative location.
3. On a level surface, engage the PTO and lower the deck until it reaches the ground.

All four deck wheels should reach the ground at the same time. If they do not, adjust the deck links as necessary.

NOTE

When adjusting the deck links, disengage the PTO. Remove the hairpin clip and washer from the weld bolt. Thread eyebolt up or down the link as necessary, and reassemble.

4. Raise the deck $\frac{1}{2}$ " to 1" above the ground.

Check to be certain the distance from the bottom edge of the deck to the ground is the same on both sides of the deck. If it is not, adjust the links on the left side of the unit.

Check to be certain the front of the deck is $\frac{1}{4}$ " to $\frac{3}{8}$ " lower than the rear of the deck. If it is not, adjust the two front links to obtain this distance.

STEERING WHEEL ADJUSTMENT

Models 723, 728, 733, 738, 743, 748, 753 and 758:

There are four height positions for the steering wheel. To adjust the height of the steering wheel, remove the hex bolt and hex lock nut on the steering shaft. Place the steering wheel in the position desired and secure with hex bolt and hex lock nut. Refer to figure 5.

NOTE

When raising the height of the steering wheel, stretch the steering bellow to cover the steering shaft.

CARBURETOR ADJUSTMENTS



If any adjustments are made to the engine while the engine is running (e.g. carburetor), disengage all clutches and blades. Keep clear of all moving parts. Be careful of heated surfaces and muffler.

Minor carburetor adjustments may be required to compensate for differences in fuel, temperature, altitude and load. Refer to separate engine manual for carburetor adjustment information.

NOTE

A dirty air cleaner will cause an engine to run rough. Be certain air cleaner is clean and attached to the carburetor before adjusting carburetor. Refer to the separate engine manual.

LUBRICATION

STEERING GEARS

Wipe off the old grease and dirt. After every 25 hours of operation place an automotive multi-purpose grease in the teeth of the segment and pinion gears. See figure 14.

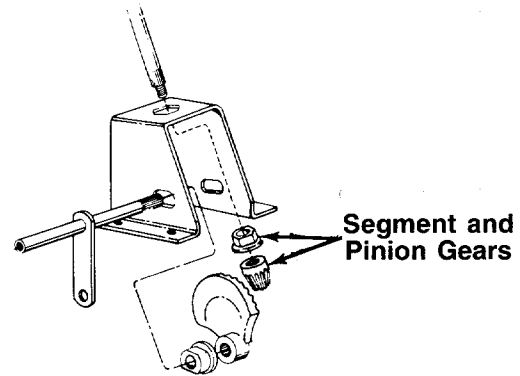


FIGURE 14.

TRANSAXLE

The transaxle is lubricated and sealed at the factory. It is not necessary to check the lubrication level unless the transaxle is disassembled for repair. The transaxle is lubricated with 24 ounces of E.P. Lithium grease.

LINKAGE

Once a season lubricate all the pivot points on the clutch, brake and lift linkage with SAE 30 engine oil.

FRONT WHEELS

The front wheels are provided with grease fittings. Lubricate at least once a season with automotive multi-purpose grease.

PIVOT POINTS

Lubricate all pivot points with light oil at least once a season.

BALL JOINTS

The ball joints and drag link ends are permanently lubricated.

MAINTENANCE



Disconnect the spark plug wire and ground against the engine before performing any adjustments, repairs or maintenance.

TROUBLE SHOOTING

Refer to the chart on page 18 for trouble shooting engine problems.

CRANKCASE OIL

To ensure maximum engine performance, perform the following periodic maintenance:

Check the oil level in the crankcase before each use of the machine and after every two hours of operation. Keep the oil level between ADD and FULL. See figure 15.

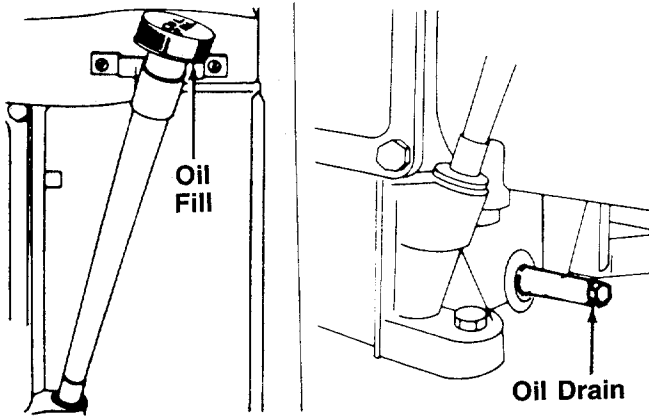


FIGURE 15.

After the first two hours of operating a new engine, drain the oil (see figure 8) from the crankcase while engine is still hot and refill crankcase with new oil; thereafter change the oil after every 25 hours of operation. This procedure ensures minimum wear of engine parts. To change the oil, proceed as follows:

- Step 1. Remove oil drain plug.
- Step 2. Drain the oil.
- Step 3. Replace oil drain plug.
- Step 4. Refill crankcase with oil. Refer to separate engine manual for quantity and type of oil.

FUEL FILTER

Your unit is equipped with a replaceable in-line fuel filter. Replace filter whenever contamination or discoloration is noticed. Order replacement filter through your authorized engine service dealer.

WHEEL ALIGNMENT

The front wheels should toe-in approximately 1/8". Measure the distances A and B on the front wheels. See figure 16.

NOTE

Dimension B should be approximately 1/8 inch less than dimension A.

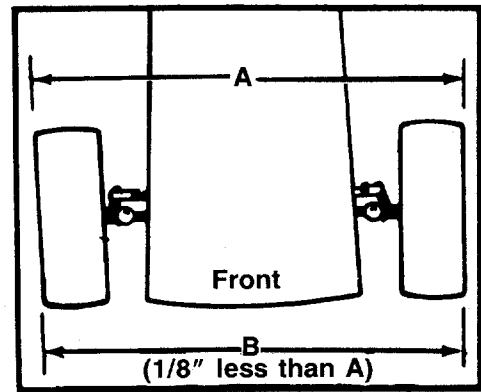


FIGURE 16.

To adjust the toe-in, loosen the hex jam nut, remove the elastic lock nut, lift the tie rod end out of the hole in the steering arm and screw the tie rod end in or out as necessary. See figure 17.

Reassemble the tie rod end after the correct alignment is made.

DRAG LINK

If the drag link or ball joints are changed, the new assembly must be adjusted to the exact same length as the original. If adjusted incorrectly, it will allow the tractor to turn sharper one direction than the other.

To take off the drag link, remove the nuts and lock washers holding the ball joint to the steering gear and left front axle bracket. See figure 17.

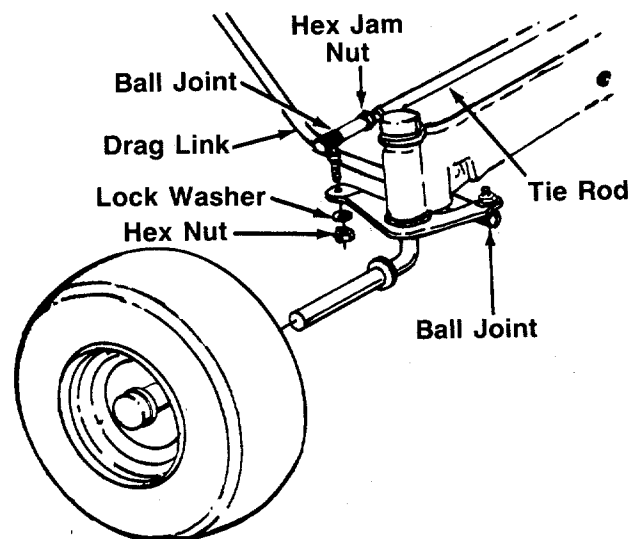


FIGURE 17.

ENGINE

Refer to separate engine manual for all engine maintenance procedures.

MAINTENANCE OF BATTERY

1. Check electrolyte level periodically (at least every two weeks). Keep the level to the split rings. Use only distilled water or a good quality drinking water. Never add acid or any other chemicals to the battery after initial activation.
2. The battery should be checked with a hydrometer after every 25 hours of operation. If the specific gravity is less than 1.225, the battery should be recharged. Maximum charge rate 5 AMPS.
3. Coat the terminals and exposed wire with a thin coat of grease or petroleum jelly for longer service and protection against corrosion.
4. The battery should be kept clean. Any deposits of acid should be neutralized with soda ash water. Be careful not to get this solution in the cells.
5. Avoid tipping the battery. Even a "sealed" battery will leak electrolyte when tipped.

STORAGE OF THE BATTERY

1. Charge battery using normal methods. NEVER store discharged battery as it will not recover.
2. When storing battery for extended periods, disconnect battery cables. Removing battery from unit is recommended.
3. Store in cold, dry place.
4. Recharge battery whenever the specific gravity is less than 1.225, before returning to service, or every two months, whichever occurs first.

COMMON CAUSES FOR BATTERY FAILURE

1. Overcharging
2. Undercharging
3. Lack of water
4. Loose hold downs and/or corroded connections
5. Excessive loads
6. Battery electrolyte substitutes
7. Freezing of electrolyte



These failures do not constitute warranty.

BATTERY REMOVAL OR INSTALLATION



When removing the battery, follow this order of disassembly to prevent your wrench from shorting against the frame.

1. Remove the Negative cable.
2. Remove the Positive cable.

To install a battery:

1. Attach the Positive cable.
2. Attach the Negative cable.

JUMP STARTING

1. Attach the first jumper cable from the Positive terminal of the good battery to the Positive terminal of the dead battery.
2. Attach the second jumper cable from the Negative terminal of the good battery to the FRAME OF THE UNIT WITH THE DEAD BATTERY.



Failure to use this starting procedure could cause sparking, and the gases in either battery could explode.

INSTALLATION OF TIRE TO RIM



The following procedure must be followed when removing or installing a tire to the rim.

1. Be sure rim is clean and rust free.
2. Lubricate both the tire and rim generously.
3. Never inflate to over 30 p.s.i. to seat beads. Excessive inflation pressure when seating beads may cause tire/rim assembly to burst with force sufficient to cause serious injury.

CHANGING THE DRIVE BELT

1. If a cutting deck is attached to your tractor, remove it. Remove the battery.
2. Depress the clutch pedal and set the parking brake.
3. Raise and block the front wheels of the tractor so you can work under it.
4. Remove the transaxle belt guard by removing the two self-tapping screws. See figure 18.
5. Unhook the V-belt from the transaxle pulley.

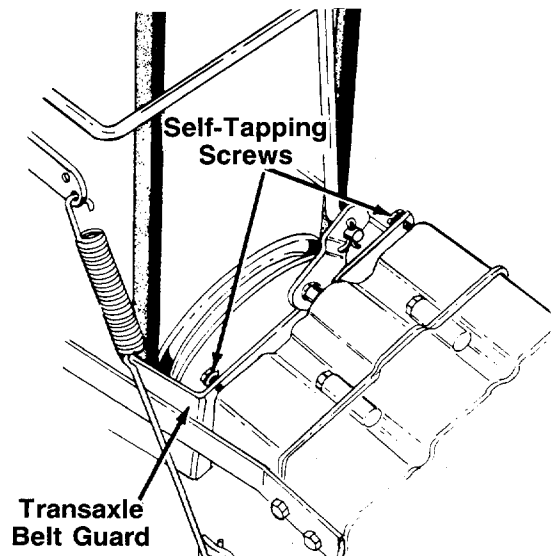


FIGURE 18.

- Remove the lower idler by taking out the center bolt and nut.

NOTE

When reassembling the idler be sure to place the belt keeper in the correct position. See figure 19.

- Unhook the idler spring so the idler will swing out of your way.

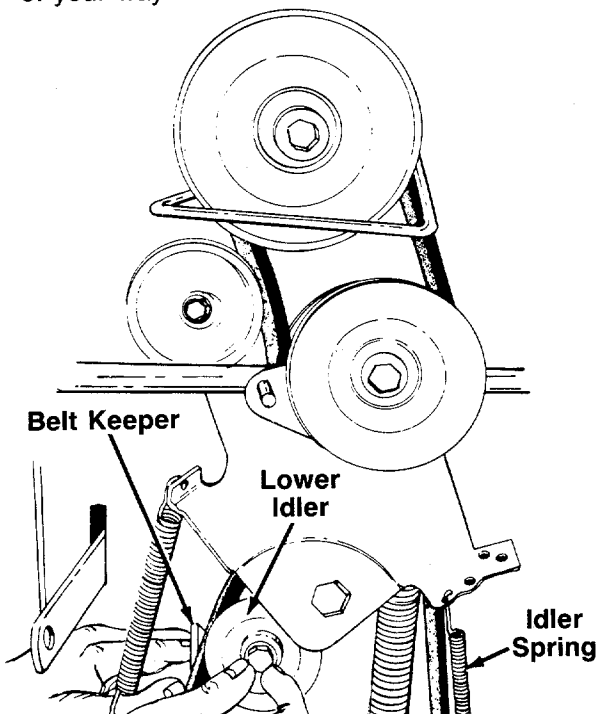


FIGURE 19.

- Remove the cotter pin from the clutch shaft and pull it out of the bracket. See figure 20.
- Remove the upper idler.

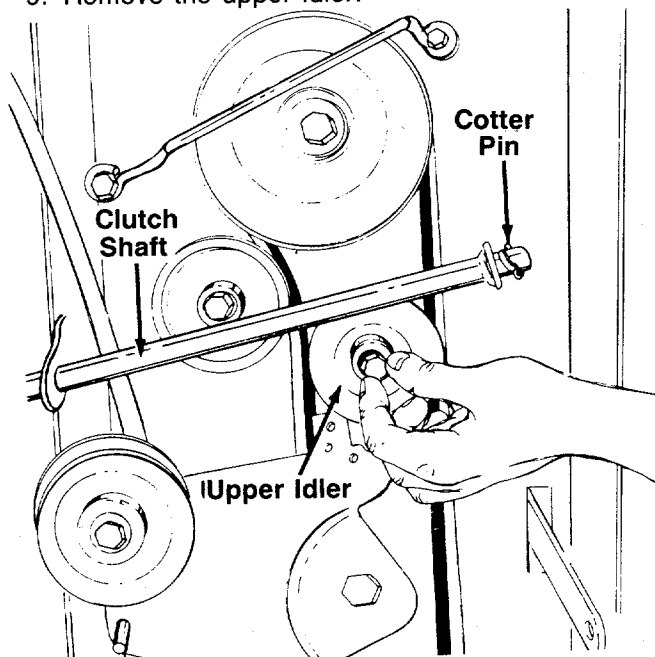


FIGURE 20.

- Remove the cotter pin from the transaxle shifting rod and pull it out of the bracket. See figure 21.
- The drive belt can now be removed.
- Reassemble the new belt in reverse order.

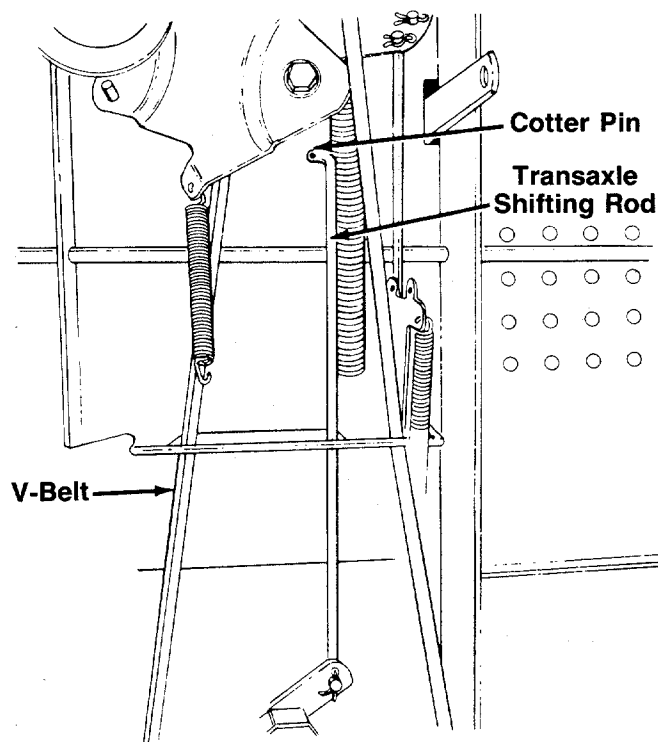


FIGURE 21.

OFF-SEASON STORAGE

If the machine is to be inoperative for a period longer than 30 days, prepare for storage as follows.

- Clean the engine and the entire unit thoroughly.
- Lubricate all lubrication points. Wipe the entire machine with an oiled rag to protect the surfaces.
- Refer to the engine manual for correct engine storage instructions. The engine must be completely drained of fuel to prevent gum deposits from forming on essential carburetor parts, fuel lines and fuel tanks.
- Refer to battery storage instructions on page 16.
- Store unit in a clean, dry area.

NOTE

When storing any type of power equipment in an unventilated or metal storage shed, care should be taken to rustproof the equipment. Using a light oil or silicone, coat the equipment, especially any chains, springs, bearings and cables.

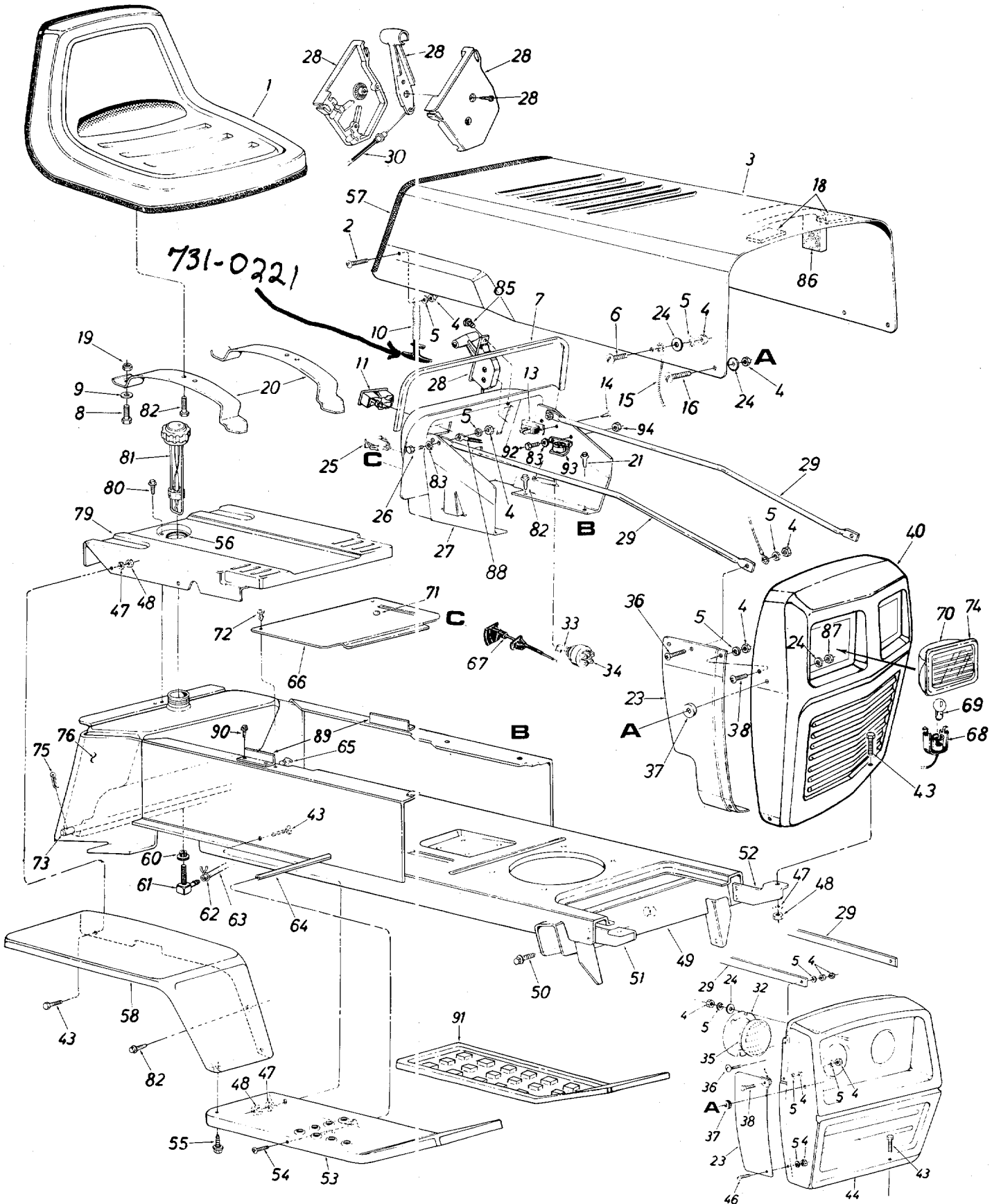
TROUBLE SHOOTING CHART FOR ELECTRIC START MODELS

TROUBLE	LOOK FOR	REMEDY
Engine will not crank	Battery installed incorrectly	The battery must be installed with the negative terminal, identified at the terminal post by (Neg, N or -), grounded. The positive terminal (Pos, P or +) attaches to the large cable from the solenoid. The small red wire from the fuse holder or circuit breaker is also attached to the positive terminal.
	Blown fuse or circuit breaker	Replace fuse with 7½ amp. fuse ¼ x 1¼" lg. Circuit breaker will reset itself when it cools off. Fuses or circuit breakers seldom open or fail without a reason. The problem must be corrected. Check for loose connections in the fuse holder. Replace fuse holder if necessary. A dead short may be in the cranking or charging circuit where the insulation may have rubbed through and exposed the bare wire. Replace the wire or repair with electrician's tape if the wire strands have not been damaged. Note: Look for a wire pinched between body panels, burned by the exhaust pipe or muffler or rubbed against a moving part.
	Battery is dead or weak	<p>Use a hydrometer to check the condition of the battery. The Specific Gravity (s.g.) should be 1.265 at 80°F. (1.215 s.g. minimum needed for cranking engine). The reason for the battery failing must be determined. (1) Defective battery. Battery will not accept or hold a full charge. (2) Short circuit. Check for grounded wire. (3) Charging system not working.</p> <p>The charging system is an alternator located under the flywheel. It is unregulated and rated 3 amp. at 3600 r.p.m. A diode (rectifier) is located in the output lead just before the wire harness plug on the engine side.</p> <div style="text-align: center;"> </div> <p>The diode changes A.C. to D.C. to charge the battery. A bad diode can either fail to charge the battery or discharge the battery if the alternator is shorted as well as the diode. To test: (1) Disconnect charger lead from the battery (small red wire). (2) Connect 12 V small test lamp between the 3 amp. D.C. charge lead and the positive terminal of the battery. (3) With the engine off, the lamp should not light. If it does, the diode and possibly the alternator should be replaced. (4) Start the engine. The lamp should light. If it does not, the alternator (stator) or lead wire is bad and should be replaced.</p>
Mechanical failure (Wires and switches)	The interlock system includes two mechanical activated switches which are wired in series in the circuit used to energize the starter solenoid. While testing the interlock system, you will make the mower temporarily unsafe by permitting the engine to be started with the blade and clutch engaged. WARNING: While testing, disengage the clutch, shut off the blade control, set the parking brake and place the gear shift lever in neutral. Attach a wire (minimum 18 gauge) to the positive terminal of the battery and touch the other end to the small terminal on the solenoid. If the engine does not crank: (1) There is a loose connection or poor ground. (2) The solenoid may be bad. The solenoid can be checked by using a heavy wire (#8 gauge minimum) and jumping between the two large terminals. If the engine cranks, the solenoid is bad. (3) If the engine does not crank when you jump the solenoid, have the starter motor tested by an authorized engine dealer. If the engine does crank, the problem is with one of the safety switches, ignition switch or the wire between the fuse holder (or circuit breaker) and the small terminal on the solenoid. Note: Look for a poor connection at the switches or a defective switch. Replace if necessary.	
Engine cranks but will not start	Throttle or choke not in starting position	Check owner's guide for correct position for throttle control and choke for starting.
	No spark to spark plug	<p>Spark plug lead disconnected. Connect lead. Hold spark plug lead away from engine block about 1/8". Crank engine. There should be a spark. If not, have engine repaired at authorized engine service dealer.</p> <p>Faulty spark plug. To test, remove spark plug. Attach spark plug lead to spark plug. Ground the spark plug body against the engine block. Crank the engine. The spark plug should fire at the electrode. Replace if it does not.</p>

TROUBLE SHOOTING CHART FOR ELECTRIC START MODELS

TROUBLE	LOOK FOR	REMEDY
	No fuel to the carburetor	Gasoline tank empty. Fill. Fuel line or in-line fuel filter plugged. Remove and clean fuel line. Replace filter if necessary.
	Air filter dirty	If the air cleaner is dirty, the engine may not start. Clean or replace as recommended by the engine manufacturer.
Engine smokes	Engine loses crankcase vacuum	Dipstick not seated or broken. Replace defective part. Engine breather defective. Replace.
Excessive vibration	Bent or damaged blade spindle	Stop engine immediately. Check all pulleys, blade adapters, keys and bolts for tightness and damage. Tighten or replace any damaged parts.
	Bent blade	Stop engine immediately. Replace damaged blade. Only use original equipment blades.
Mower will not discharge grass or leaves uncut strips	Engine speed low Transmission selection Blades short or dull	Throttle must be set between 3/4 and full throttle. Use lower transmission speed. The slower your ground speed, the better the quality of cut. Sharpen or replace blades (uncut strip problem only).

Models 722, 727, 732, 737, 742, 747, 752 and 757



Models 722, 727, 732, 737, 742, 747, 752 and 757

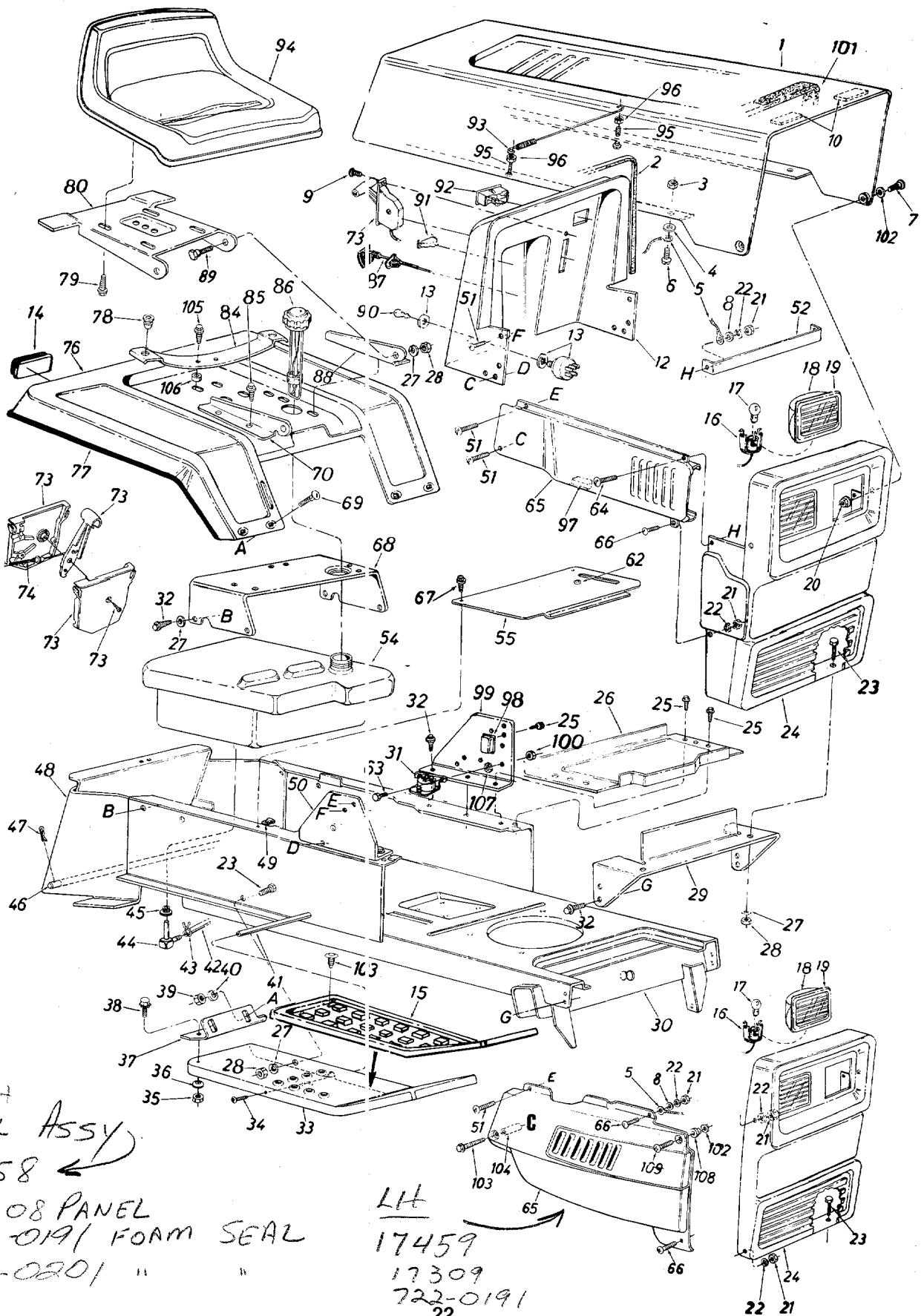
PARTS LIST FOR MODELS 722, 727, 732, 737, 742, 747, 752 AND 757 LAWN TRACTORS

REF. NO.	PART NO.	COLOR CODE	DESCRIPTION	NEW PART	REF. NO.	PART NO.	COLOR CODE	DESCRIPTION	NEW PART
1	757-0336		Seat Assembly		47	736-0119		L-Wash. 5/16" I.D.*	
2	710-0286		Truss Mach. Scr. 1/4-20 x .50" Lg.*		48	712-0267		Hex Nut 5/16-18 Thd.*	
3	13808	638	Hood		49	13820		Lower Frame Ass'y.	
4	712-0287		Hex Nut 1/4-20 Thd.*		50	710-0726		Hex Thd. Rolling Scr. 5/16" x .75" Lg.	
5	736-0329		L-Wash. 1/4" I.D.*		51	17004		Grille Mount Brkt.—R.H.†	
6	710-0286		Truss Mach. Scr. 1/4-20 x .50" Lg.*			13862		Grille Mount Brkt.—R.H.††	
7	731-0511		Vinyl Molding Strip—29"		52	17005		Grille Mount Brkt.—L.H.†	
8	710-0689		Hex Nylon Scr. 1/2-13 x .75" Lg.			13863		Grille Mount Brkt.—L.H.††	
9	736-0192		Fl-Wash. .50" I.D. x 1.00" O.D. x .090		53	16390	638	Running Board—R.H.	
10	723-0296		Hood Latch Ass'y.			13827	638	Running Board—L.H. (Not Shown)	
11	725-0925		Ammeter		54	710-0323		Truss Mach. Scr. 5/16-18 x .75" Lg.*	
13	725-0459		Circuit Breaker 8 Amp.		55	710-0726		Hex Thd. Rolling Scr. 5/16-24 x .75" Lg.	
14	710-0599		Hex Tap Scr. #10 x .50"		56	735-0179		Grommet (Gas Tank Neck)	
15	727-0199		Hood Stop		57	731-0511-31		Vinyl Moulding Strip—31"	
16	710-0255		Truss Mach. Scr. 1/4-20 x .75" Lg.*		58	13810	638	Fender Ass'y.—R.H.	
18	722-0157		PVC Foam Strip			13809	638	Fender Ass'y.—L.H. (Not Shown)	
19	712-0206		Hex Nut 1/2-13 Thd.*		60	735-0149		Bushing (Gas Tank)	
20	13123		Seat Spring		61	751-3054		90° Nipple	
21	710-0599		Hex Thd. Rolling Scr. 1/4" x .50" Lg.		62	726-0207		Hose Clamp 3/8"	
23	16622	638	Grille Side Panel—R.H.†		63	751-0173-46		Gas Line 46" Lg.	
	16621	638	Grille Side Panel—L.H.† (Not Shown)		64	738-0435		Running Board Rod	
	14748	638	Grille Side Panel—R.H.††		65	712-0147		Speed Nut #10-24	
	14749	638	Grille Side Panel—L.H.†† (Not Shown)		66	14056		Transmission Cover Ass'y.	
24	736-0173		Fl-Wash. 1/4" I.D.		67	746-0613		Choke Control Comp.	
25	725-0634		Light Switch		68	725-1058		Socket†	
26	710-0166		Truss Hd. Scr. 1/4-20 x 1.00" Lg.*		69	725-0963		Lamp†	
27	16325		Dash Panel Ass'y.		70	731-0705		Headlight Housing†	
28	831-0823		Throttle Control Box Comp.		71	731-0405		Snap Bushing	
29	749-0720		Grille Positioning Rod†		72	710-0351		Truss Hd. Scr. #10 x .50"	
	749-0651		Grille Positioning Rod††		73	738-0482		Hitch Rod	
30	746-0634		Throttle Control Cable		74	731-0706		Lenst†	
32	09960		Head Lamp Retainer††		75	714-0147		Internal Cotter Pin	
33	725-0201		Ignition Key		76	751-0259		Gas Tank	
34	725-0267		Ignition Switch		79	13814		Seat Plate	
35	725-0222		Head Lamp††		80	710-0726		Hex Thd. Rolling Scr. 5/16-24 x .75" Lg.	
36	710-0255		Truss Machine Scr. 1/4-20 x .75" Lg.*		81	723-0346		Gas Gauge	
37	735-0144		Rubber Washer		82	710-0726		Hex Thd. Rolling Scr. 5/16-24 x .75" Lg.	
38	710-0286		Truss Mach. Scr. 1/4-20 x .50" Lg.*		83	736-0222		External Wash. 1/4" I.D.	
40	17026		Grille (722, 732, 742, 752)		85	710-0779		Truss Mach. AB-Tap Scr. #10 x .50" Lg.	
43	710-0118		Hex Bolt 5/16-18 x .75" Lg.*		86	722-0138		PVC Foam Strip	
44	13801	463	Grille (Painted) (727, 737, 747, 757)		87	712-0107		Hex L-Nut 1/4-20 Thd.	
	14226		Grille (Chrome) (727, 737, 747, 757)		88	725-0996		Ground Wire†	
46	710-0286		Truss Mach. Scr. 1/4-20 x .50" Lg.*		89	13831		Seat Spring Guide	
					90	710-0776		Hex AB-Tap Scr. 1/4 x .625" Lg.	
					91	731-0755		Foot Pad (Optional)	
					92	710-0289		Hex Bolt 1/4-20 x .5" Lg.*	
					93	725-0771		Solenoid	
					94	712-0271		Hex Sems Nut 1/4-20 Thd.	

†Used with Reference Number 40 (Models 722, 732, 742, 752)

††Used with Reference Number 44 (Models 727, 737, 747, 757)

Models 723, 728, 733, 738, 743, 748, 753 and 758



RH
 PANEL ASSY
 17458 ←

17308 PANEL
 722-0191 FOAM SEAL
 722-0201 " " "

LH
 17459
 17309
 722-0191
 22
 722-0201

Models 723, 728, 733, 738, 743, 748, 753 and 758

PARTS LIST FOR MODELS 723, 728, 733, 738, 743, 748, 753 AND 758 LAWN TRACTORS

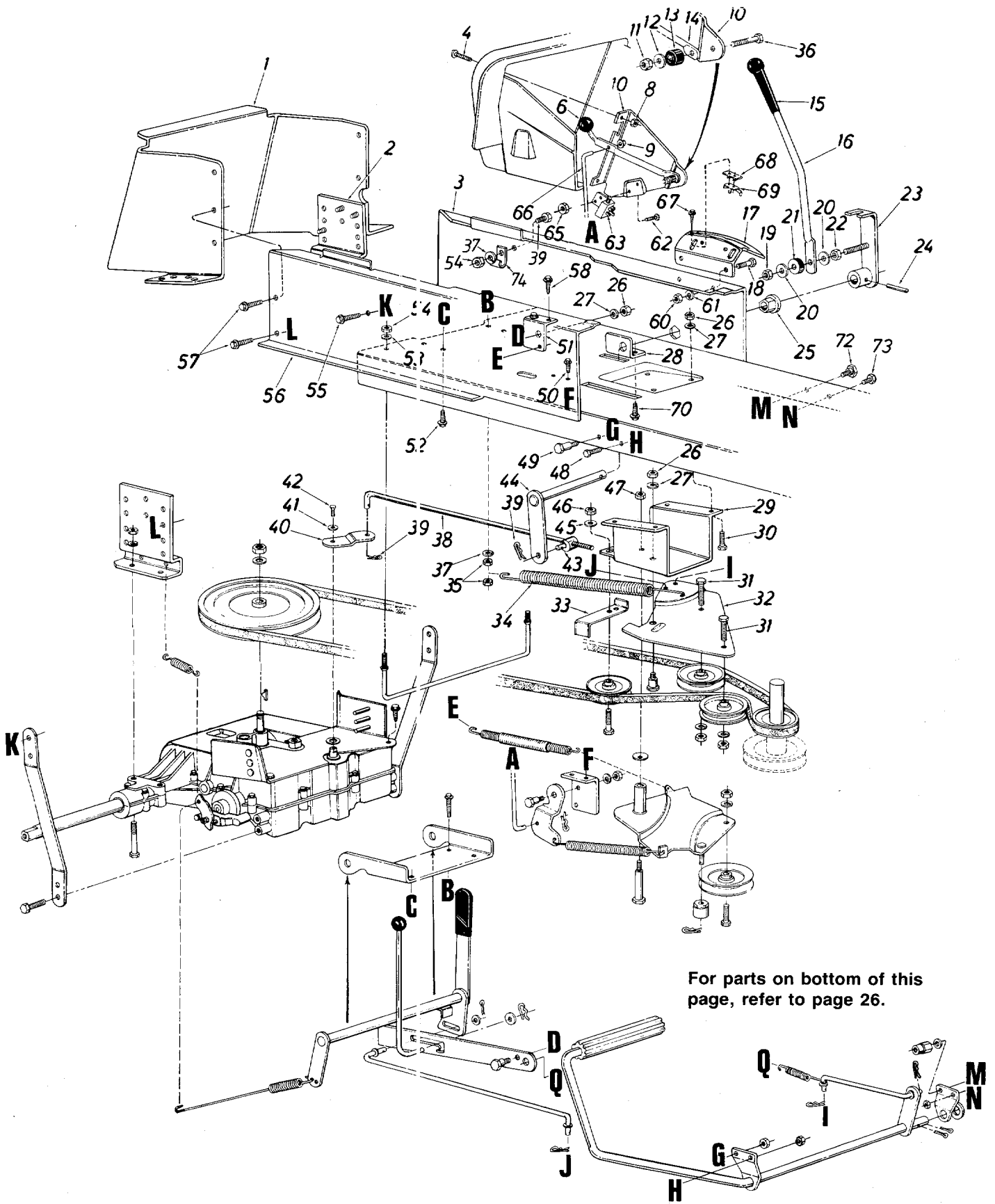
REF. NO.	PART NO.	COLOR CODE	DESCRIPTION	NEW PART	REF. NO.	PART NO.	COLOR CODE	DESCRIPTION	NEW PART
1	15808	638	Hood		51	710-0642		Hex Wash Hd. Tap Scr. 1/4 x .75" Lg.	
2	731-0511-31		Vinyl Molding Strip—31" Lg.		52	15931		Tie Strap—Grille Side Panel†	
3	712-0272		Hex Sems Nut #10-24 Thd.		54	751-0367		Fuel Tank	
4	736-0931		Fl-Wash. .20" I.D. x .41" O.D.		55	15932		Transmission Cover Ass'y.	
5	727-0290		Hood Stop		62	731-0405		Snap Bushing	
6	710-0473		Truss Hd. Mach. Scr. #10-24 x .50" Lg.*		63	710-0289		Hex Bolt 1/4-20 x .50" Lg.*	
7	738-0724		Shld. Bolt .375 Dia. x .125†		64	710-0255		Truss Hd. Scr. 1/4-20 x .75"*	
8	736-0463		Fl-Wash. 1/4" I.D.*		65	16469		Side Panel—R.H.†	
9	710-0779		Truss Mach. AB-Tap Scr. #10-24 x .5" Lg.			15815		Side Panel—L.H. (Not Shown)†	
10	722-0157		Foam Strip			17308		Side Panel—R.H.††	N
12	16550		Dash Ass'y.			17309		Side Panel—L.H. (Not Shown)††	N
13	725-0267		Ignition Switch		66	710-0286		Truss Mach. Scr. 1/4-20 x .50" Lg.*	
14	730-0116		Reflector (Optional)		67	710-0351		Truss Mach. B-Tap Scr. #10 x .50" Lg.	
15	731-0755		Rubber Foot Pad (Optional)		68	15849		Seat Mounting Channel	
16	725-1058		Socket		69	710-0167		Carriage Bolt 1/4-20 x .50"*	
17	725-0963		Lamp		70	15802		Seat Bracket—R.H.	
18	731-0705		Headlight Housing		73	831-0823		Throttle Control Box Ass'y.	
19	731-0706		Lens		74	746-0634		Throttle Control Wire	
20	712-0380		L-Nut 1/4-28 Thd.†		76	15886		Rear Fender	
21	712-0287		Hex Nut 1/4-20 Thd.*		77	731-0511-81		Trim Strip—81" Lg.	
22	736-0329		L-Wash. 1/4" I.D.*		78	731-0555		Grommet	
23	710-0118		Hex Bolt 5/16-18 x .75" Lg.*		79	710-0623		Hex Wash. Hd. AB-Tap Scr. 3/8 x .75" Lg.	
24	15804		Grille†		80	15607		Seat Pivot Bracket	
	15806		Grille††		84	732-0431		Seat Spring	
25	710-0599		Hex Wash. Hd. AB-Tap Scr. 1/4 x .50" Lg.		85	710-0607		Hex Wash. Hd. Self-Tap Scr. 5/16-18 x .50" Lg.	
26	13379		Battery Plate		86	751-0370		Gas Cap w/Gauge	
27	736-0119		L-Wash. 5/16" I.D.*		87	746-0613		Choke Control Comp.	
28	712-0267		Hex Nut 5/16-18 Thd.*		88	15803		Seat Bracket—L.H.	
29	15825		Grille Mounting Bracket		89	738-0155		Shld. Bolt .437" Dia. x .162"	
30	13820		Lower Frame Ass'y.		90	725-0201		Ignition Key	
31	725-0771		Solenoid		91	725-0634		Light Switch	
32	710-0726		Hex Thd. Rolling Scr. 5/16-24 x .75" Lg.		92	725-0925		Ammeter	
33	16390		Running Board—R.H.		93	732-0462		Hood Spring	
	13827		Running Board—L.H. (Not Shown)		94	757-0336		Seat Ass'y.	
34	710-0323		Truss Mach. Scr. 5/16-18 x .75" Lg.*		95	710-0749		Hex Bolt #10-24 x 1.0" Lg.	
35	712-0267		Hex Nut 5/16-18 Thd.*		96	712-0272		Hex Sems Nut #10-24	
36	736-0242		Bell-Wash. .34" I.D.		97	735-0224		Rubber Strip 1/2" Sq. x 2 1/2"	
37	15846		Fender Brkt.—R.H.		98	725-0459		Circuit Breaker	
	15847		Fender Brkt.—L.H. (Not Shown)		99	15829		Dash Support Brkt.—L.H.	
38	710-0118		Hex Bolt 5/16-18 x .75" Lg.*		100	712-0271		Hex Sems Nut 1/4-20 Thd.	
39	712-0287		Hex Nut 1/4-20 Thd.*		101	722-0138		PVC Foam	
40	736-0329		L-Wash. 1/4" I.D.*		102	736-0413		Washer .34" I.D. x .62" O.D.	
41	738-0435		Running Board Rod		103	710-1026		Hex Hd. Tap Scr. 1/4-20 x 1.75" Lg.††	
42	751-0173		Fuel Line 44" Lg.		104	750-0583		Spacer .255" I.D.††	
43	726-0199		Hose Clamp 3/8"		105	710-0817		Hex Tap Scr. 5/16-18 x 1.25" Lg.	
44	751-3054		90° Elbow		106	750-0706		Spacer .38" I.D.	
45	735-0149		Bushing (Fuel Tank)		107	736-0222		Ext. L-Wash. 1/4" I.D.	
46	738-0482		Hitch Rod		108	738-0759		Shld. Spacer .125" Lg.††	
47	714-0147		Internal Cotter Pin		109	710-0166		Truss Hd. Scr. 1/4-20 x 1"††	
48	13813		Hitch Plate						
49	726-0139		Speed Nut						
50	15828		Dash Support Brkt.—R.H.						

†Models 723, 733, 743 and 753 Only.

††Models 728, 738, 748 and 758 Only.

STYLE 8 HOOD 16788

Models 722 thru 758



For parts on bottom of this page, refer to page 26.

Models 722 thru 758

PARTS LIST FOR MODELS 722 THRU 758 LAWN TRACTORS

REF. NO.	PART NO.	COLOR CODE	DESCRIPTION	NEW PART	REF. NO.	PART NO.	COLOR CODE	DESCRIPTION	NEW PART
1	13813		Hitch Plate		39	714-0145		Hairpin Cotter 3/8"	
2	14067		Transaxle Support Bracket		40	14192		Shifter Bracket	
3	16445		Side Panel Upper Frame L.H.		41	736-0270		Belleville Wash. .25" I.D. x .375" O.D.	
4	710-0286		Truss. Mach. Scr. 1/4-20 x .50" Lg.*		42	710-0513		Hex Bolt 1/4-28 x .62" Lg. (Special)	
6	720-0165		Ball Knob (Blade Clutch)		43	711-0198		Pivot Bushing	
	720-0210		T Knob (Blade Clutch)		44	14034		Speed Control Shaft Ass'y.	
8	712-0271		Hex Sems Nut 1/4-20 Thd.*		45	736-0300		Fl-Wash. .385" I.D. x .87" O.D. x .060 Thk.	
9	726-0106		Push Cap 1/4" Rod		46	712-0214		Hex Cent. L-Nut 3/8-24 Thd.	
10	13950		Deck Clutch Control Brkt.		47	712-0375		Hex Cent. L-Nut 3/8-16 Thd.	
11	712-0107		Hex Cent. L-Nut 1/4-20 Thd.*		48	710-0201		Hex Bolt 3/8-16 x .62" Lg.*	
12	736-0173		Fl-Wash. .281" I.D. x .734" O.D. x .063 Thk.		49	738-0143		Shoulder Bolt .500" Dia. x .340" Lg. (3/8-16)	
13	735-0126		Rubber Wash. .330" I.D. x .87" O.D. x .32 Thk.		50	710-0599		Hex Thd. Rolling Scr. 1/4-20 x .50" Lg.	
14	747-0157		Blade Clutch Lever		51	13833		Parking Brake Cam Mtg. Brkt.	
15	720-0223		Grip		52	710-0599		Hex Thd. Rolling Scr. 1/4-20 x .50" Lg.	
16	747-0566		Shift Lever	N	53	736-0329		L-Wash. 1/4" I.D.*	
17	17313		Shift Bracket		54	712-0287		Hex Nut 1/4-20 Thd.*	
18	710-0118		Hex Bolt 5/16-18 x .75" Lg.*		55	710-0773		Hex Wash. Hd. TT-Tap Scr. 3/8-16 x .5" Lg.	
19	712-0158		Hex Cent. L-Nut 5/16-18 Thd.		56	13848		Side Panel Upper Frame—R.H.	
20	736-0159		Fl-Wash. .344" I.D. x .875" O.D. x .063 Thk.		57	710-0600		Hex Thd. Rolling Scr. 5/16-24 x .50" Lg.	
21	735-0126		Rubber Wash. .330" I.D. x .87" O.D. x .32 Thk.		58	710-0599		Hex Thd. Rolling Scr. 1/4-20 x .50" Lg.	
22	712-0267		Hex Nut 5/16-18 Thd.*		60	712-0267		Hex Nut 5/16-18 Thd.*	
23	14195		Handle Mount Brkt. Ass'y. (Shift Lever)		61	736-0119		L-Wash. 5/16" I.D.*	
24	715-0114		Spring Pin Spiral 1/4" Dia. x 1.5" Lg.		62	710-0473		Truss Mach. Scr. #10-24 x .50" Lg.*	
25	741-0225		Plastic Hex Bearing .625" I.D.		63	725-0465		Safety Switch	
26	712-0267		Hex Nut 5/16-18 Thd.*		65	712-0121		Hex Nut #10-24 Thd.*	
27	736-0119		L-Wash. 5/16" I.D.*		66	747-0307		Deck Control Rod	
28	14035		Speed Control Shaft Brkt.		67	710-0227		Hex Wash. Hd. Scr. #8 x .50" Lg.	
29	14063		Transaxle Clutch Support Brkt.		68	726-0222		Insulator Nut Plate	
30	710-0376		Hex Bolt 5/16-18 x 1.0" Lg.		69	725-0758		Spring Switch	
31	710-0459		Hex Bolt 3/8-24 x 1.5" Lg.		70	710-0726		Hex Wash. Hd. AB-Tap Scr. 5/16 x .75" Lg.	
32	17311		Idler Bracket Ass'y.	N	72	738-0143		Shld. Bolt .498" Dia. x .34"	
33	13819		Belt Guard		73	710-0201		Hex Bolt 3/8-16 x .62" Lg.	
34	732-0307		Extension Spring .995" O.D. x 11.0" Lg.		74	726-0175		Clamp	
35	712-0291		Hex Cent. L-Nut 1/4-20 Thd.						
36	710-0258		Hex Bolt 1/4-20 x .625" Lg.*						
37	736-0329		L-Wash. 1/4" I.D.*						
38	747-0341		Shift Link						

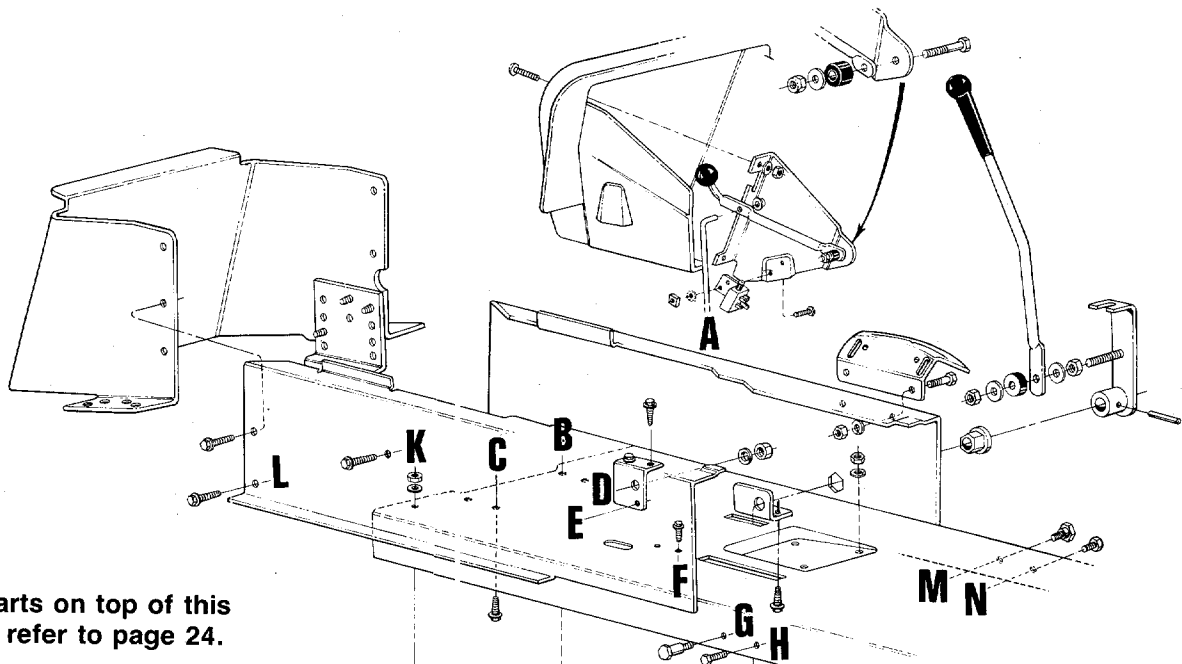
*For faster service obtain standard nuts, bolts and washers locally. If these items cannot be obtained locally, order by part number and size as shown on parts list.

If color or finish is important when ordering parts, use the appropriate color code shown below [i.e. (part no.)-638 for MTD Red Finish].

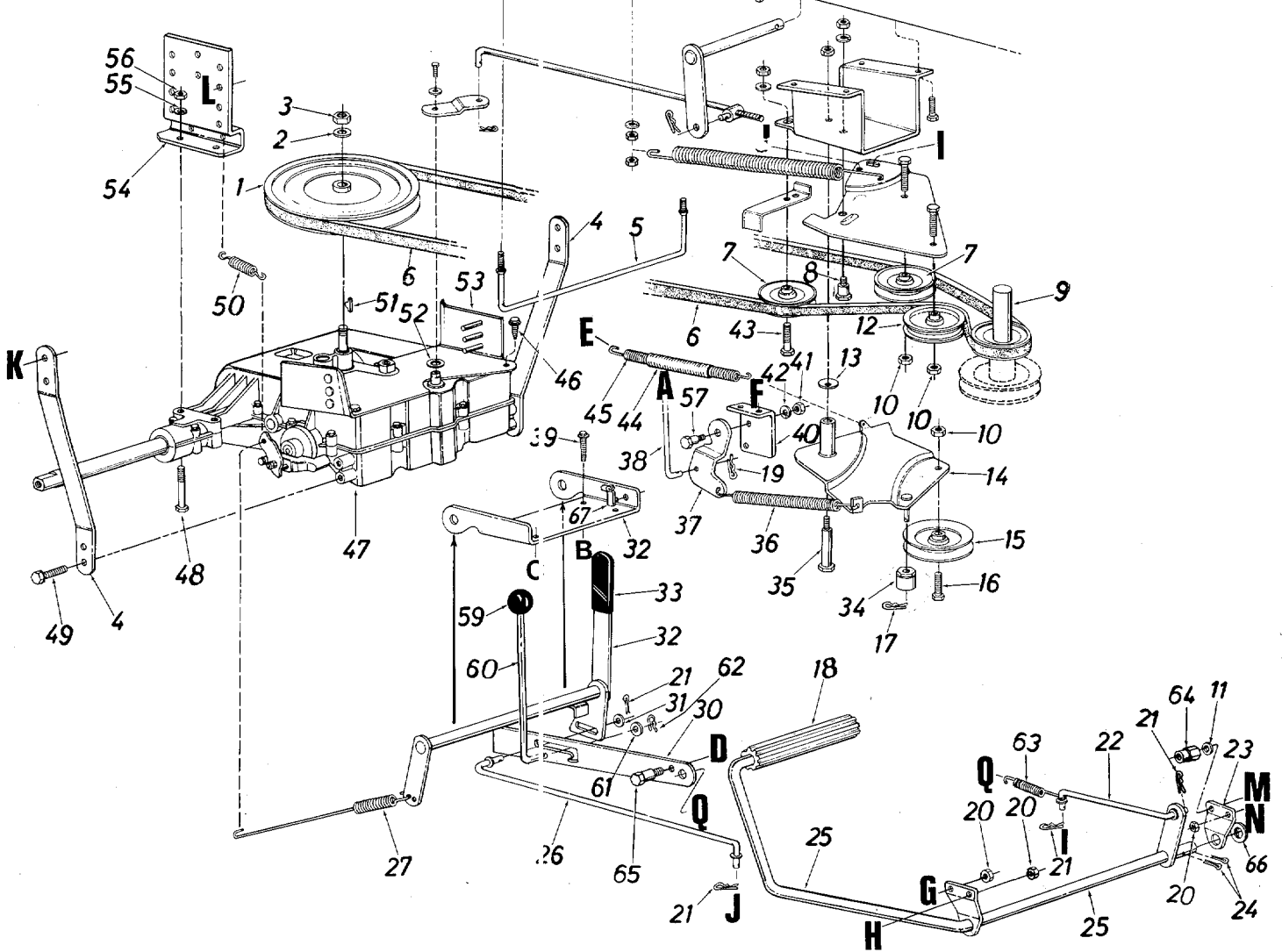
Color Codes

312—White	480—Brilliant Green
436—Radiant Yellow	483—Charcoal Grey
447—Patina Silver	499—Beige
452—Black	629—Silver Flake
456—Radiant Tangerine	630—Blue
460—Green Flake	638—MTD Red

Models 722 thru 758



For parts on top of this page, refer to page 24.



Models 722 thru 758

PARTS LIST FOR MODELS 722 THRU 758 LAWN TRACTORS

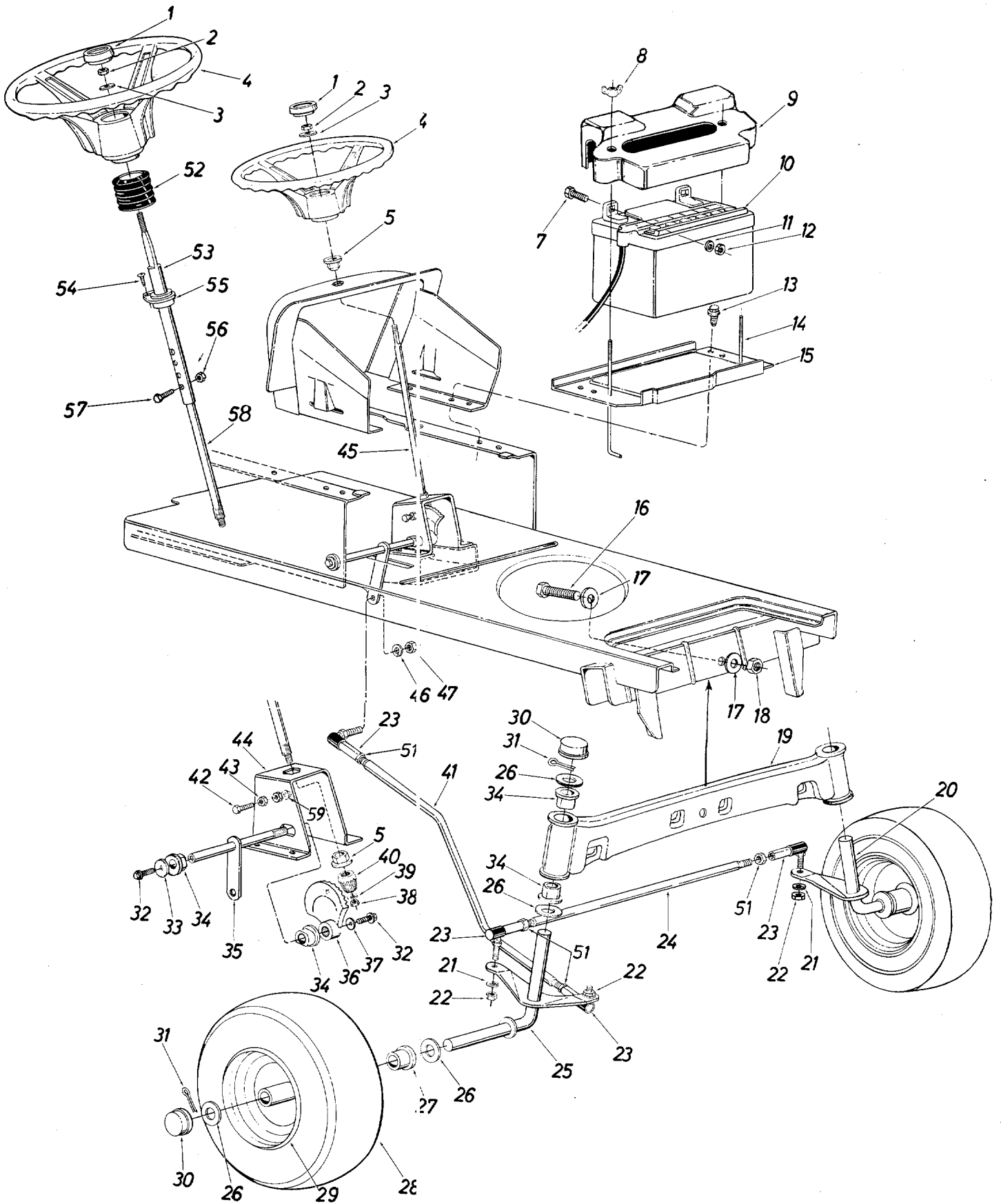
REF. NO.	PART NO.	COLOR CODE	DESCRIPTION	NEW PART	REF. NO.	PART NO.	COLOR CODE	DESCRIPTION	NEW PART
1	756-0341		8" "V"-Pulley (Transaxle)		37	13887		Deck Control Brkt.	
2	736-0921		L-Wash. 1/2" I.D.*		38	747-0307		Deck Control Rod	
3	712-0922		Hex Nut 1/2-20 Thd.*		39	710-0778		Hex Wash. Hd. TT-Tap Scr. 1/4-20 x 1.50" Lg.	
4	14066		Transaxle Brace					Parking Brake Cam Mtg. Brkt.	
5	747-0322		Belt Guard	40	13833			Hex Nut 5/16-18 Thd.*	
6	754-0248		"V"-Belt		41	712-0267		L-Wash. 5/16" I.D.*	
7	756-0116		"V"-Belt Idler Pulley .38" I.D. x 3-1/16" O.D.		42	736-0119		Hex Bolt 3/8-24 x 1.50" Lg. (Grade 5)	
8	738-0155		Shoulder Bolt .435" Dia. x .160 (5/16-18)		43	710-0459		Convuluted Conduit .50" I.D. x 4.0" Lg.	
9	756-0342		Two Step Engine Pulley 3.10" & 5.56" Dia.	44	731-0483			Ext. Spring .50" O.D. x 6.37" Lg.	
10	712-0214		Hex Cent. L-Nut 3/8-24 Thd.*	45	732-0308			Hex Wash. Hd. AB Tap Scr. 5/16-18 x 5/8" Lg.	
11	736-0169		L-Wash. 3/8" I.D.*	46	710-0604			Transaxle (See Breakdown on Page 32)	
12	756-0225		Flat Idler Pulley 2.75" O.D.	47	—			Hex Bolt 5/16-18 x 2.50" Lg.*	
13	736-0105		Belleville Wash. .400" I.D. x .88" O.D. x .063	48	710-0378			Hex Wash. Hd. AB Tap Scr. 5/16-18 x 5/8" Lg.	
14	14076		Idler Bracket Ass'y.	49	710-0604			Extension Spring .50" O.D. x 2.75" Lg.	
15	756-0293		4" "V"-Idler Pulley	50	732-0433			Hi-Pro Key 3/32" x 5/8" Dia. Special Wash. 1.00" O.D. (Hdn.)	
16	710-0459		Hex Bolt 3/8-24 x 1.5" Lg.	51	714-0129			Transaxle Belt Keeper Ass'y.	
17	714-0104		Hairpin Cotter 5/16" Dia.	52	717-0234			Transaxle Support Bracket L-Wash. 5/16" I.D.*	
18	735-0196		Foot Pad	53	14193			Hex Nut 5/16-18 Thd.*	
19	714-0104		Intern. Cotter Pin 5/16" Dia.	54	14067			Shoulder Bolt .435" Dia. x .162" Lg. (5/16-18)	
20	712-0375		Hex Cent. L-Nut 3/8-16 Thd.*	55	736-0119			Ball Knob	
21	714-0507		Hairpin Cotter 3/32" Dia. x 3/4" Lg.	56	712-0267			Parking Brake Link	
22	747-0318		Brake Clutch Rod (4.60" Lg.)	57	738-0155			FI-Wash.	
23	13859		Clutch Rod Bearing Brkt.	59	720-0166			Hairpin Cotter	
24	714-0115		Cotter Pin 1/8" Dia. x 1.00" Lg.*	60	747-0300			Ext. Spring 3.12" Lg.	
25	14040		Clutch Brake Pedal Ass'y.	61	736-0101			Spacer Nut 3/8-16 Thd.	
26	747-0319		Bra 3 Cam Rod (13.60" Lg.)	62	714-0145			Shld. Bolt .435" Dia. x .162" Lg.	
27	732-0381		Extension Spring .59" O.D. x .93" Lg.	63	732-0447			FI-Wash. .53" I.D. x .93" O.D.	
30	13832		Parking Brake Cam	64	738-0756			Plastic Hose Clamp	
31	736-0101		FI-Wash. .406" I.D. x 1.00" O.D. x .030 Thk.	65	738-0155				
32	14073		Hand Brake Lever Ass'y.	66	736-0192				
33	720-0189		Grip—Flat Bar 1 1/4" Wide	67	726-0193				
34	748-0278		Spacer						
35	738-0129		Shoulder Bolt .496" Dia. x 2.00" Lg. (3/8-16)						
36	732-0478		Extension Spring .75" O.D. x 6.12" Lg.						

*For faster service obtain standard nuts, bolts and washers locally. If these items cannot be obtained locally, order by part number and size as shown on parts list.

NOTE: The engine is not under warranty by the mower manufacturer... If repairs or service is needed on the engine, please contact your nearest authorized engine service outlet. Check the "Yellow Pages" of your telephone book under "Engines—Gasoline."



Models 722 thru 758



Models 722 thru 758

PARTS LIST FOR MODELS 722 THRU 758 LAWN TRACTORS

REF. NO.	PART NO.	COLOR CODE	DESCRIPTION	NEW PART	REF. NO.	PART NO.	COLOR CODE	DESCRIPTION	NEW PART
1	731-0220		Steering Wheel Cap		29	**		Front Wheel Rim Only	
2	712-0237		Hex Cent. L-Nut 5/16-24 Thd.		30	731-0484		Dust Cover	
3	736-0242		Bell-Wash. 5/16" I.D. x .87" O.D. x .060		31	714-0121		Cotter Pin 5/32" Dia. x 1.00" Lg.*	
4	731-0806		Steering Wheel		32	710-0180		Hex Scr. 3/8-24 x .75" Lg. Grade 5	
5	741-0225		Plastic Hex Bearing 5/8" I.D.†		33	736-0133		FI-Wash. 3/8 I.D. x 1.25 O.D. x .090	
7	710-0258		Hex Scr. 1/4-20 x .62" Lg.		34	741-0199		Flange Double "D" Brg. .753 I.D.	
8	712-0113		Wing Nut Plastic 1/4-20 Thd.		35	12749		Steering Arm Shaft Ass'y.	
9	731-0707		Battery Cover		36	748-0236		Side Gear—Steering	
10	725-0453		12-V Battery		37	736-0105		Bell-Wash. 3/8" I.D.	
11	736-0329		L-Wash. 1/4" I.D.*		38	712-0237		Hex Cent. L-Nut 5/16-24 Thd.	
12	712-0287		Hex Nut 1/4-20 Thd.*		39	736-0264		FI-Wash. 5/16" I.D. x .62 O.D. x .059	
13	710-0599		Hex Thd. Rolling Scr. 1/4-20 x .50" Lg.		40	748-0237		Pinion Gear—Steering	
14	711-0222		Battery Hold Down Rod		41	747-0302		Drag Link	
15	13379		Battery Plate		42	710-0342		Hex Cap Scr. 3/8-16 x 1.25" Lg.	
16	710-0533		Hex Scr. 5/8-18 x 2.50" Lg.*		43	712-0798		Hex Nut 3/8-16 Thd.*	
17	736-0282		Flat Wash. .66" I.D. x 2.25" O.D. x .17		44	12850		Steering Gear Sup. Ass'y.	
18	712-0923		Hex Cent. L-Nut 5/8-18 Thd.		45	738-0697		Steering Shaft†	
19	13865		Front Pivot Bar Ass'y.		46	736-0169		L-Wash. 3/8" I.D.*	
20	13839		Front Axle Ass'y.—L.H.		47	712-0241		Hex Nut 3/8-24 Thd.*	
	17268 17267		Front Axle Ass'y.—L.H. (Used w/15" Wheel w/46" Deck Only)	N	51	712-0711		Hex Jam Nut 3/8-24 Thd.	
21	736-0169		L-Wash. 3/8" Scr.*		52	731-0559		Steering Bellow††	
22	712-0241		Hex Nut 3/8-24 Thd.*		53	16512		Upper Steering Shaft††	
23	723-0156		Ball Joint Ass'y.		54	710-0837		Oval Hd. Cr.-Sunk Scr. #10 x 5/8" Lg.	
24	747-0301		Tie Rod		55	741-0356		FI-Bearing .89" I.D. x 1.36" O.D.	
25	13838		Front Axle Ass'y.—R.H.		56	712-0324		Hex L-Nut 1/4-20 Thd.†	
	17267 17268		Front Axle Ass'y.—R.H. (Used w/15" Wheel w/46" Deck Only)	N	57	710-0958		Hex Bolt 1/4-20 x 1.31" Lg.††	
26	736-0316		FI-Wash. .780 I.D. x 1.59 O.D.		58	738-0588		Lower Steering Shaft††	
27	**		Flange Bearing		59	731-0988		Nylon Cap	
28	**		Front Wheel Ass'y. Comp.						

†Models 722, 727, 732, 737, 742, 747, 752 and 757 only.

††Models 723, 728, 733, 738, 743, 748, 753 and 758 only.

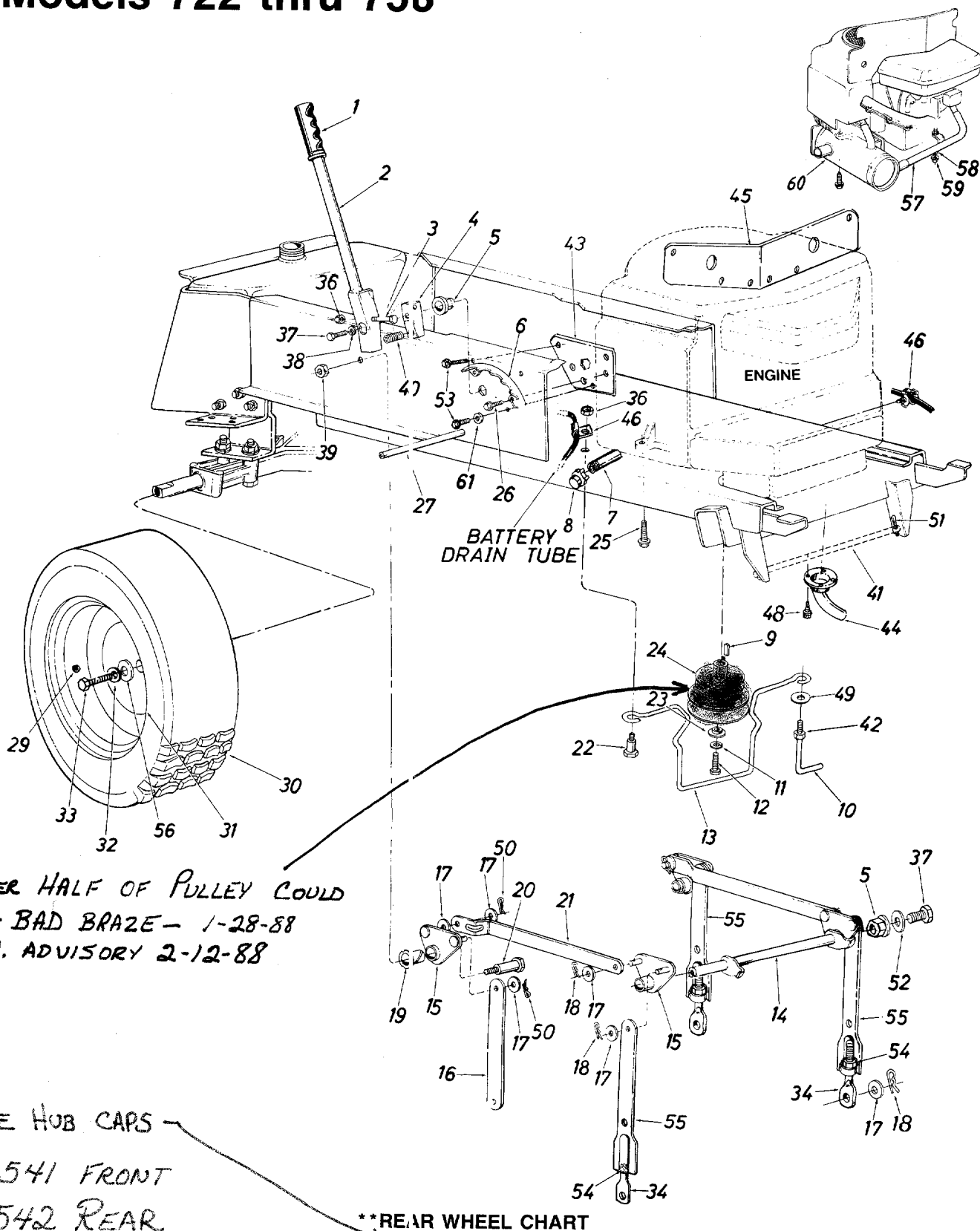
CHROME HUB CA
734-0541

**FRONT WHEEL CHART



Description	16 x 6.50—Part No. (Rib Tread)	16 x 6.50—Part No. (Turf Tread)	15 x 6.00—Part No. (Rib Tread)	15 x 6.00—Part No. (Turf Tread)
Wheel Assembly Comp.	734-1006	734-1500	734-0960	734-1135
Tire Only	734-0526	734-0275	734-0498	734-0427
Rim Only	734-0787	734-1501	734-0961	734-0961
Bearing	741-0312	741-0382	741-0382	741-0382
Air Valve	734-0255	734-0255	734-0255	734-0255
Grease Fitting	737-0224	737-0224	737-0224	737-0224

Models 722 thru 758



Description	20 x 10.0—Part No.	22 x 7.50—Part No.
Wheel Assembly Comp.	734-1064	734-1049
Tire Only	734-1065	734-0967
Rim Only	734-0764	734-1047

Models 722 thru 758

PARTS LIST FOR MODELS 722 THRU 758 LAWN TRACTORS

REF. NO.	PART NO.	COLOR CODE	DESCRIPTION	NEW PART	REF. NO.	PART NO.	COLOR CODE	DESCRIPTION	NEW PART
1	720-0157		Grip		32	736-0242		Bell-Wash. .345" I.D. x .88"	
2	14233		Lift Handle Ass'y.		33	710-0627		Hex Bolt 5/16-24 x .75" Lg.	
3	710-0442		Hex Scr. 5/16-18 x 1.50" Lg.*		34	711-0817		Eye Bolt Adj. Link 1/2-13 Thd.	N
4	748-0274		Lift Shaft Drive		36	712-0158		Hex Cent. L-Nut 5/16-18 Thd.	
5	741-0225		Plastic Hex Brg. 5/8" I.D.		37	710-0237		Hex Scr. 5/16-24 x .62" Lg.*	
6	14231		Index Brkt. Deck Lift		38	736-0119		L-Wash. 5/16" I.D.*	
7	737-0164		Pipe Nipple 3/8-18 Npt.		39	712-0266		Hex Center L-Jam Nut 3/8-16 Thd.	
8	737-0143		Pipe Cap 3/8-18 Npt.						
9	714-0118		Sq. Key 1/4" x 1.50"		40	732-0369		Compression Spring	
10	747-0216		Belt Guard Lock Pin		41	738-0392		Deck Connecting Rod	
11	736-0171		L-Wash. 7/16" Scr.*		42	712-0123		Hex Nut 5/16-24 Thd.*	
12	710-0757		Hex Scr. 7/16-20 x 1.50" Lg.		43	14170		Index Brkt. Reinforcement Plate	
13	747-0320		Belt Guard						
14	13889		Lift Shaft Ass'y.		44	751-0275		Exhaust Pipe	
15	13895		Lift Pivot Brkt. Ass'y.		45	14282		Heat Shield†	
16	14399		Link (Deck)			15826		Heat Shield††	
17	736-0192		FI-Wash. 1/2" I.D. x 1.00" O.D. x .090		46	726-0185		Mounting Clamp	
						726-0175		Mounting Clamp (18 H.P. Only)	
18	714-0101		Hairpin Cotter		47	731-0556		Hub Cap (Not Shown)	
19	741-0295		Nyliner 5/8" I.D. x .88" Lg.		48	710-0224		Hex Wash. Hd. AB-Tap Scr. #10 x .50" Lg.	
20	738-0445		Shld. Scr. 5/8" Dia. x .96" Lg. 3/8-16						
21	13790		Connecting Link		49	736-0242		Bell-Wash. .39" I.D.	
22	738-0296		Shld. Scr. .437 Dia. x .268 Lg. 5/16-18		50	714-0111		Cotter Pin .09 Dia. x 1.0" Lg.	
23	736-0322		Flat Wash. .44" I.D. x 1.25" O.D. x .17		51	714-0149		Int. Cotter Pin	
					52	736-0231		Flat Wash. .34" I.D. x 1.12" O.D. x .125	
24	756-0342		Two-Step Engine Pulley		53	710-0726		Hex Wash. Hd. AB-Tap Scr. 5/16 x .62" Lg.	
25	710-0502		Hex Wash. Hd. Scr. 3/8-16 x 1.25" Lg.		54	712-0206		Hex Nut 1/2-13 Thd.	
26	710-0726		Hex Thd. Rolling Scr. 5/16-18 x .75" Lg.		55	17303		Adj. Deck Link	N
27	738-0435		Running Board Rod		56	736-0346		FI-Wash. .34" I.D. x 2.0" O.D.	
29	734-0255		Air Valve		57	751-0446		Inlet Tube†††	
30	**		Rear Wheel Ass'y. Comp.		58	736-0170		Spec. L-Wash. 5/16" I.D.†††	
31	**		Rear Wheel Rim Only		59	712-0267		Hex Nut 5/16-18 Thd.†††	
					60	751-0444		Muffler†††	
					61	736-0264		Flat Wash. .344" I.D.	

†Models 722, 727, 732, 737, 742, 747, 752 and 757 Only.

††Models 723, 728, 733, 738, 743, 748, 753 and 758 Only.

†††Optional Parts.

⊛ c below

Wheel weights required only
for 400 SERIES.

OPTIONAL EQUIPMENT

At the time of manufacture of lawn tractor, the following optional equipment is available.

Description	Model No.	Description	Model No.
38" Side Discharge Deck	190-765-000	Lawn Roller	190-660-000
44" Rear Discharge Deck	190-931-000	Dump Cart	190-653-000
44" Side Discharge Deck	190-935-000	Spike Aerator	190-655-000
46" Side Discharge Deck	190-806-000	Core Aerator	190-901-000
⊛ Grass Collector (Used w/46" Deck)	190-083-000	Electric Lift Kit	190-749-000
40" Snow Thrower	190-930-000	40" 8 HP Tiller Attachment	190-766-000
48" Dozer Blade	190-940-000	Front Counterweight	190-745-000
Gang Reel (Set of three)	190-466-000	50 Lb. Wheel Weights (pair)	190-784-000
38" Lawn Sweeper	190-483-000	Tire Chains—20 x 10	190-915-000
		Tire Chains—22 x 7.5	190-974-000

Models 722 thru 758

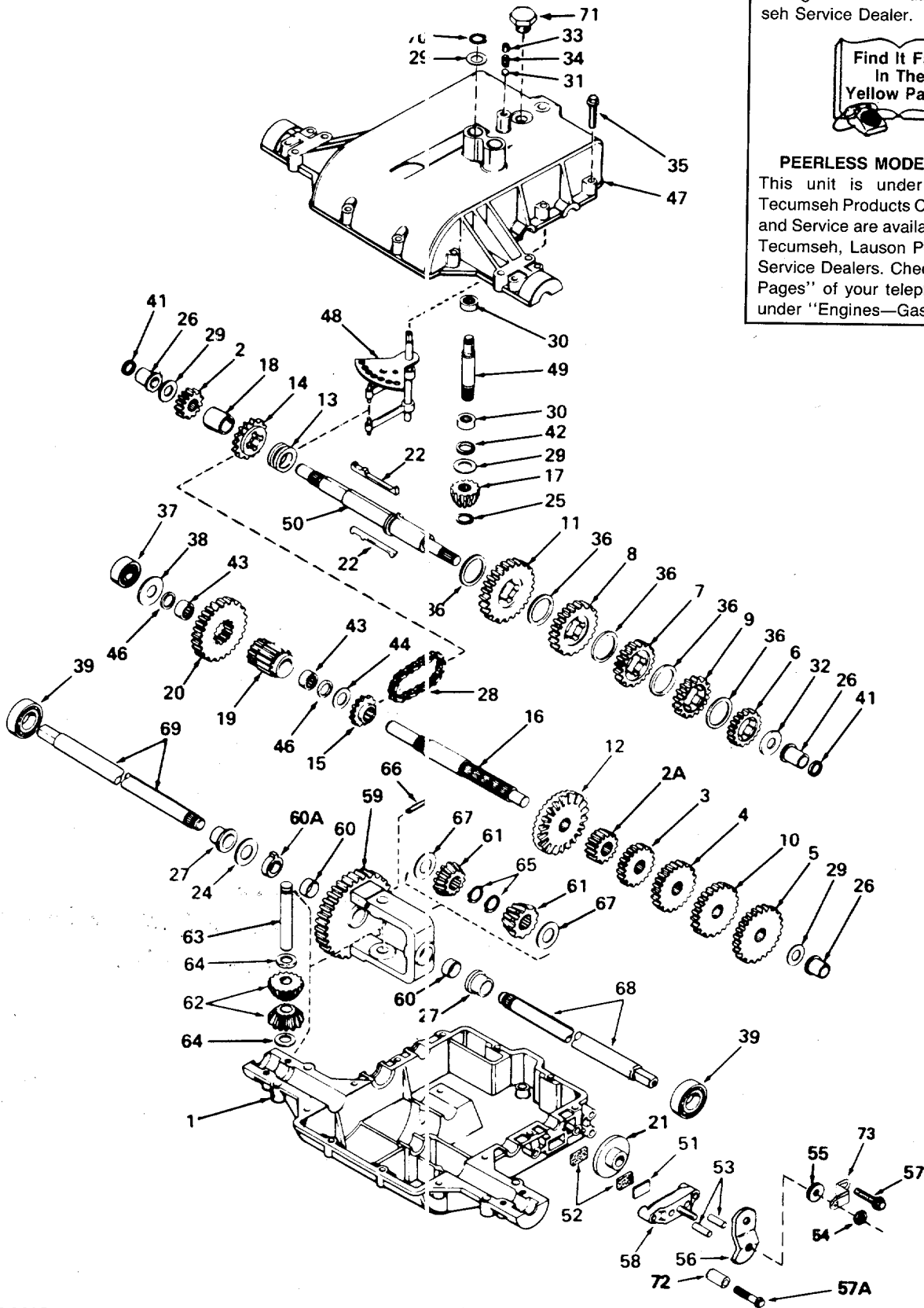
NOTE: This unit is not under warranty by the mower manufacturer. All Part Orders and Service must be handled through the Local Authorized Tecumseh Service Dealer.



008B

PEERLESS MODEL 801-088B

This unit is under warranty by Tecumseh Products Company. Parts and Service are available through all Tecumseh, Lauson Power Products Service Dealers. Check the "Yellow Pages" of your telephone directory under "Engines—Gasoline."



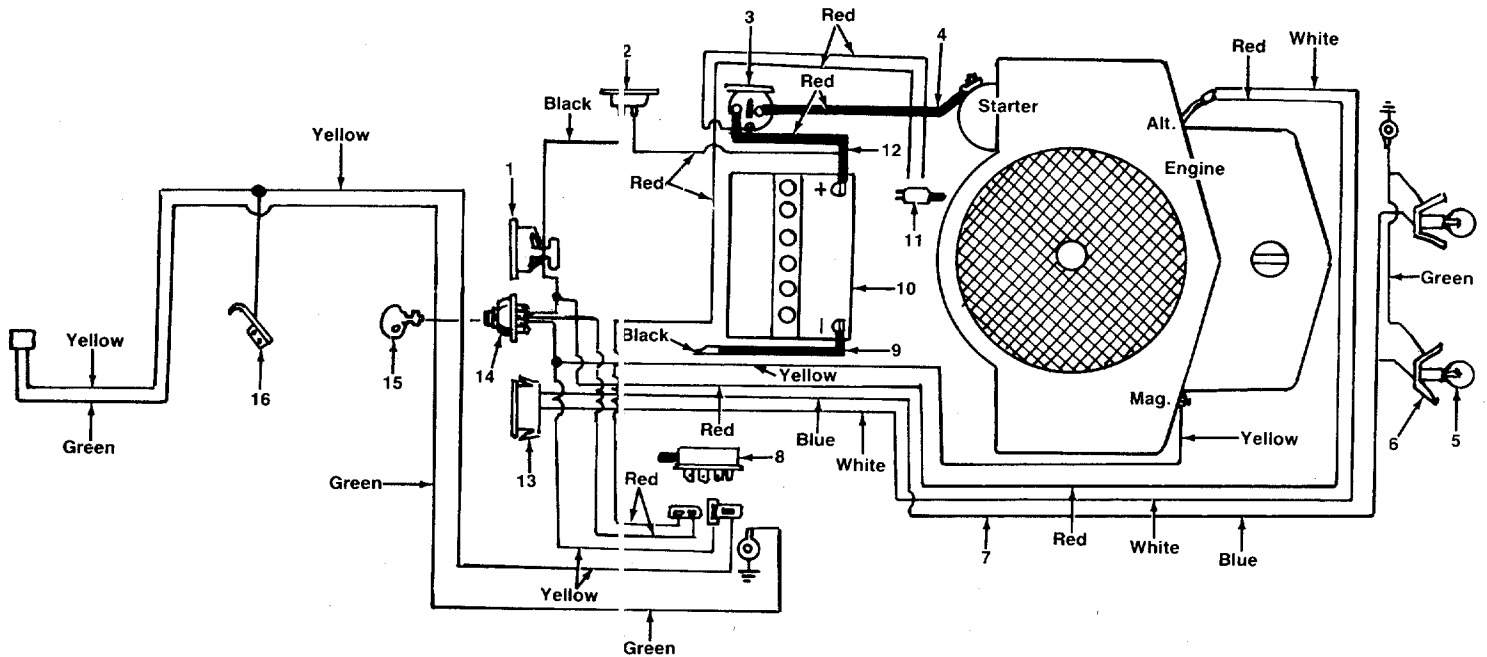
TRANSAXLE MODEL 801-008B (794358)

Models 722 thru 758

PARTS LIST FOR PEERLESS TRANSAXLE MODEL 801-008B

REF. NO.	PART NO.	DESCRIPTION	REF. NO.	PART NO.	DESCRIPTION
1	PE-770071A	Case, Transaxle	39	PE-780119	Bearing, Ball
2	PE-778136	Gear, Spur (15 teeth)	41	PE-788051	Ring, Square Cut
2A	PE-778145	Gear, Spur (12 teeth)	42	PE-788057	Ring, Square Cut
3	PE-778126A	Gear, Spur (20 teeth)	43	PE-780112	Bearing, Needle
4	PE-778127A	Gear, Spur (25 teeth)	44	PE-780114	Washer, Flat
5	PE-778129A	Gear, Spur (30 teeth)	46	PE-788053	Ring, Square Cut
6	PE-778121A	Gear, Spur (20 teeth)	47	PE-772082	Cover, Transaxle
7	PE-778123A	Gear, Spur (25 teeth)	48	PE-784290	Rod & Fork Ass'y., Shift
8	PE-778124A	Gear, Spur (30 teeth)	49	PE-776140	Shaft, Input
9	PE-778122A	Gear, Spur (22 teeth)	50	PE-776184A	Shaft, Brake
10	PE-778128A	Gear, Spur (28 teeth)	51	PE-790007	Plate, Brake Pad
11	PE-778146A	Gear, Spur (37 teeth)	52	PE-790006	Pad, Brake
12	PE-778137A	Gear, Bevel (42 teeth)	53	PE-786026	Pin, Dowel
13	PE-784266	Collar, Shift	54	PE-792075	Locknut, 5/16-24
14	PE-786083	Sprocket (18 teeth)	55	PE-792076	Washer, Flat
15	PE-786082	Sprocket (9 teeth)	56	PE-790004	Lever, Brake
16	PE-776204	Shaft, Counter	57	PE-792073	Screw, Hex Hd. Thread Forming, 1/4-20 x 1 1/4
17	PE-778113A	Bevel Pinion, Input			
18	PE-786074	Spacer	57A	PE-792085	Screw, Hex Hd. Thread Forming, 1/4-20 x 2 1/4
19	PE-778138	Pinion, Output			
20	PE-778139	Gear, Output	58	PE-790025	Holder, Brake Pad
21	PE-790003	Disk, Brake	59	PE-778053A	Gear Ass'y., Differential (Incl. 2 of No. 60)
22	PE-792089A	Key			
24	PE-780001	Washer	60	PE-780064	Bushing
25	PE-788040	Ring, Retaining	60A	PE-780120	Bushing
26	PE-780105A	Bushing, Flanged	61	PE-778166	Gear, Bevel
27	PE-780118A	Bushing, Flanged	62	PE-778131	Pinion, Bevel
28	PE-786081	Chain, Roller (No. 41 Chain, 24 Links)	63	PE-786034	Pin, Drive
			64	PE-780065	Washer, Thrust
29	PE-780072	Washer, Thrust	65	PE-792018	Ring, Retaining
30	PE-780122	Bearing, Needle	66	PE-792040	Pin, Roll
31	PE-792077	Ball, Steel	67	PE-780001	Washer, Thrust
32	PE-780109	Washer, Thrust	68	PE-774643	Axle (15-1/4" Long)
33	PE-792078	Screw, Set, 3/8-16 x 3/8	69	PE-774642	Axle (13-3/8" Long)
34	PE-792079	Spring	70	PE-792035	Ring, Retaining
35	PE-792073	Screw, Hex Hd. Thread Forming, 1/4-20 x 1 1/4	71	PE-792074	Plug, Hex Hd., 9/16-18 Thread
36	PE-780108	Washer, Thrust	72	PE-786066	Spacer
37	PE-780121	Bearing, Ball	73	PE-786086	Bracket, Brake Lever
38	PE-780113	Washer, Flat			

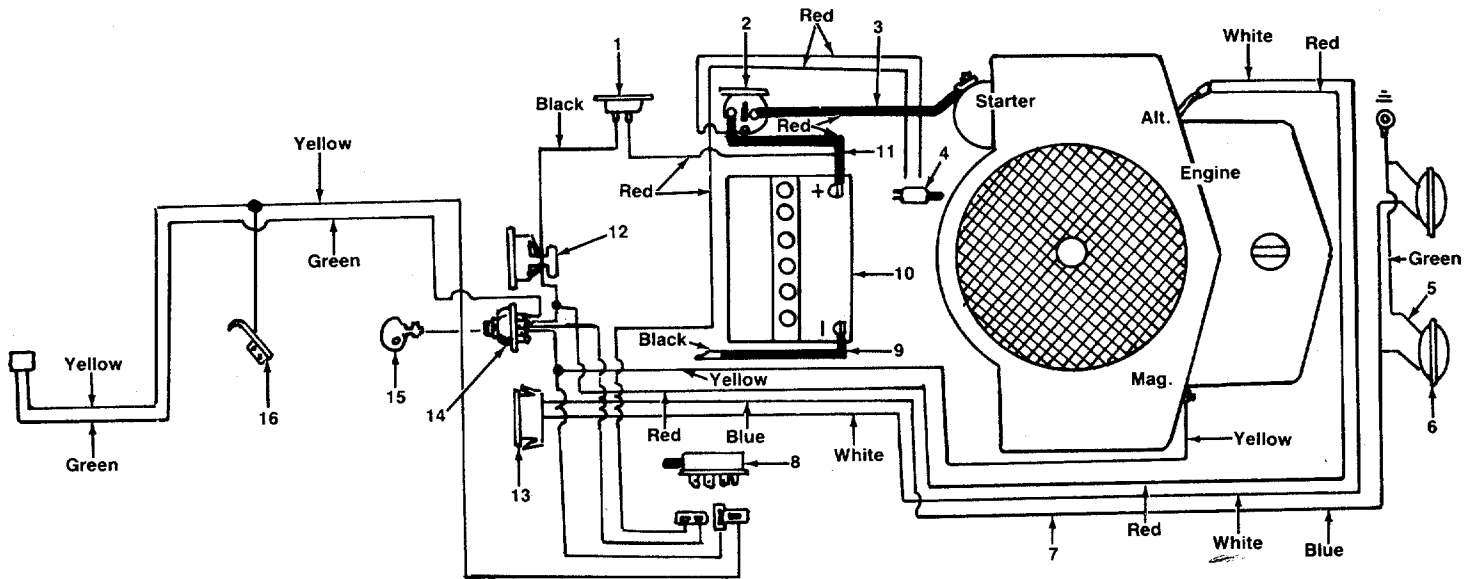
Models 722, 723, 728, 732, 733, 738, 742, 743, 748, 752, 753 and 758



PARTS LIST FOR ELECTRICAL SYSTEM MODELS 722, 723, 728, 732, 733, 738, 742, 743, 748, 752, 753 AND 758 LAWN TRACTORS

REF. NO.	PART NO.	DESCRIPTION
1	725-0925	Ammeter
2	725-0459	Circuit Breaker
3	725-0771	Solenoid
4	725-0561	Wire
5	725-0963	Bulb
6	725-1058	Socket
7	725-1134	Wire Harness
8	725-0465	Safety Switch
9	725-0996	6 Ga. Black Wire
10	725-0453	Battery 12V
11	725-0268	Safety Switch
12	725-0563	Wire
13	725-1130	Light Switch
14	725-0267	Ignition Switch
15	725-0201	Ignition Key
16	725-0758	Spring Switch

Models 727, 737, 747 and 757



PARTS LIST FOR ELECTRICAL SYSTEM MODELS 727, 737, 747 AND 757 LAWN TRACTORS

REF. NO.	PART NO.	DESCRIPTION
1	725-0459	Circuit Breaker
2	725-0771	Solenoid
3	725-0561	Wire
4	725-0268	Safety Switch
5	725-0916	Ground Wire
6	725-0222	Head Light
7	725-1134	Wire Harness
8	725-0465	Safety Switch
9	725-0996	6 Ga. Black Wire
10	725-0453	Battery 12V
11	725-0563	Wire
12	725-0925	Ammeter
13	725-0634	Light Switch
14	725-0267	Ignition Switch
15	725-0201	Ignition Key
16	725-0758	Spring Switch

PARTS INFORMATION

POWER EQUIPMENT PARTS AND SERVICE

Parts and service are available through the authorized service firms listed below. All orders should specify the model number of your unit, part numbers, description of parts and the quantity of each part required.

BRIGGS AND STRATTON, TECUMSEH AND PEERLESS PARTS AND SERVICE

Briggs & Stratton, Tecumseh and Peerless parts and service should be handled by your nearest authorized engine service firm. Check the yellow pages of your telephone directory under the listing **Engines—Gasoline**, Briggs & Stratton or Tecumseh Lauson.

NOTE: If any parts are found to be missing or defective upon assembly of this unit, write to advise the factory so that immediate replacement can be made.

ALABAMA	BIRMINGHAM	NEW YORK	CARTHAGE
Auto Electric & Carburetor Co.	2625 4th Ave. S. 35233	Gamble Dist., Inc.	West End Ave. 13619
ARKANSAS	NORTH LITTLE ROCK	NORTH CAROLINA	GREENSBORO
Sutton's Lawn Mower Shop.	5301 Roundtop Drive Box 368, Rt. 4 72117	Dixie Sales Company	335 N. Green 27402
CALIFORNIA	PORTERVILLE	OHIO	CARROLL
Billious	75 North D Street 93257	Stebe's Mid-State Mower Supply	Box 366, 71 High St. 43112
COLORADO	DENVER	Bleckrie, Inc.	CLEVELAND
Spitzer Industrial Products Co.	6601 N. Washington St. 80229	National Central	7900 Lorain Ave. 44102
FLORIDA	JACKSONVILLE	Burton Supply Co.	WADSWORTH
Radco Distributors	4909 Victor St. Box 5459 32207	PENNSYLVANIA	687 Seville Rd. 44281
Small Eng. Dist.	HIALEAH	EECO Inc.	YOUNGSTOWN
GEORGIA	7995 W. 26th Court 33016	Thompson Rubber Co.	1301 Logan Ave. Box 929 44501
East Point Cycle & Key Inc.	EAST POINT	Frank Roberts & Sons	HARRISBURG
ILLINOIS	2834 Church St. 30344	Scranton Auto Ignition Co.	4021 N. 6th St. 17110
Keen Edge Co.	LYONS	TENNESSEE	WILLOW GROVE
INDIANA	8615 Ogden Ave. 50534	Ace Distributors	850 Davisville Rd. 19090
Parts & Sales Inc.	ELKHART	American Sales & Service, Inc.	PITTSBURGH
IOWA	2101 Industrial Pkwy. 46516	TEXAS	11101 Frankstown Rd. 15235
Power Lawn & Garden Equip.	DUBUQUE	Marr Brothers, Inc.	PUNXSUTAWNEY
LOUISIANA	2551 J.F. Kennedy 52001	Engine House Inc.	R.D. 2 15767
Suhren Engine Co.	NEW ORLEANS	UTAH	SCRANTON
MARYLAND	8330 Earhart Blvd. 70118	Powered Products	1133-35 Wyoming Ave. 18509
Center Supply Co.	TAKOMA PARK	VIRGINIA	KNOXVILLE
MASSACHUSETTS	6867 New Hampshire Ave. 20912	RBI Corp.	2103 Magnolia 37917
Morton B. Collins Co.	SPRINGFIELD	WASHINGTON	MEMPHIS
MICHIGAN	300 Birnie Ave. 01107	Equip. Northwest	3035-43 Bellbrook 38116
Power Equipment Dist.	MOUNT CLEMENS	WASHINGTON	DALLAS
MINNESOTA	340 Hubbard 48043	Equip. Northwest	423 E. Jefferson 75203
Hance Distributing Inc.	PLYMOUTH	WISCONSIN	SAN ANTONIO
MISSOURI	12795 16th Ave. North 55441	Wisconsin Magneto Inc.	8610 Botts Lane P.O. Box 17867 78217
Oscar Wilson Engine & Parts	EARTH CITY	WASHINGTON	SALT LAKE CITY
Automotive Equip. Service	4159 Shoreline Dr. 63045	Equip. Northwest	1661 N. Beck St. 84116
NEW JERSEY	KANSAS CITY	WASHINGTON	ASHLAND
Piersons	3117 Holmes St. 64109	Equip. Northwest	101 Cedar Ridge Dr. 23005
NEW MEXICO	ALLOWAY	WASHINGTON	SEATTLE
Spitzer Eng. & Parts Co.	Canal St., Box 494 8001	Equip. Northwest	1410 14th Ave. 98122
	ALBUQUERQUE	WASHINGTON	MILWAUKEE
	1023 Third Ave. N.W. 87103	Equip. Northwest	4727 N. Teutonia St. 53209

WARRANTY PARTS AND SERVICE POLICY

(0687)

The purpose of warranty is to protect the customer from defects in workmanship and materials, defects which are NOT detected at the time of manufacture. It does not provide for the unlimited and unrestricted replacement of parts. Use and maintenance are the responsibility of the customer. The manufacturer cannot assume responsibility for conditions over which it has no control. Simply put, if it's the manufacturer's fault, it's the manufacturer's responsibility; if it's the customer's fault, it's the customer's responsibility.

CLAIMS AGAINST THE MANUFACTURER'S WARRANTY INCLUDES:

1. Replacement of Missing Parts on new equipment.
2. Replacement of Defective Parts within the warranty period.
3. Repair of Defects within the warranty period.

All claims MUST be substantiated with the following information:

1. Model Number, Serial Number and/or Data Code of unit involved.
2. Date unit was purchased or first put into service.
3. Date of Failure.
4. Nature of Failure.