

Gas Fireplaces



fireplace**xtordinair**™

Imagine A Fireplace For Every Room

A home is a combination of dreams and choices, each a reflection of you. From the most intimate engraved details on a fireplace face to the grandest of fires, our fireplaces bring a sense of peace and tranquility to your home.



Fireplace Xtrordinair proudly produces our high-quality line of gas fireplaces that compliment a broad range of architectural styles and heating needs at our manufacturing plant in Mukilteo Washington. We utilize the finest materials, and subject them to vigorous testing standards to make fireplaces that stand up to the rigors of time.

These products are the best money can buy.

We are passionate about both the science and the art of fire.

Browse, study, dream, and let us help you transform a room into a gathering place in your home. Let us help you "Rediscover Fire"!

Technology

Our history is one of innovation. Our designs have earned a "Best Buy" endorsement from Consumer Digest® magazine. Our Ember-Fyre™ gas burner technology used on several of our fireplaces was selected by Popular Science® magazine "Best of What's New" as "One of the Year's Top 100 Innovations in science and technology." Become mesmerized by our award-winning gas flames that are so stunning, they can be easily confused with a wood fire.

All our gas fireplaces are certified as "Heater Rated". Many of our models can be used as the primary heat source in your home. All of our fireplaces can be used for "Zonal Heating". This allows you to economically heat only the rooms you use and can greatly reduce your heating cost!

Heat, Even When The Power Goes Out

All of our fireplaces use a standing pilot millivolt system that is designed to generate enough electricity to ensure continued use and enjoyment of your fireplace - even if the power goes out.



LIBRARY



LIVING ROOM



SITTING ROOM



ENTERTAINMENT ROOM



BATHROOM



BEDROOM

You will find that this brochure is divided into three sections.

Section One

Outlines all the beautiful faces designs available for your Fireplace Xtrordinair gas fireplace. Picture the irresistible appeal of fire, framed in unique and rich metalwork that includes finishes such as hand-hammered copper or nickel, in a variety of architectural styles.

Section Two

Pick the fireplace or fireplaces to make your vision happen. Our gas fireplaces are available in seven models with different performance capacities to meet virtually every heating need.

Section Three

Determine how you would like to install a fireplace. Almost all of our fireplaces provide for horizontal or vertical venting through the outside wall or ceiling, allowing you to install your fireplace virtually anywhere in your home. All fireplaces include easy to convert LP (Propane) conversion kits at no additional cost.



All Fireplace Xtrordinair gas burning fireplaces utilize a direct vent chimney system to ensure indoor air quality. Direct-vent gas fireplaces use the air from outside the home for combustion, and exhaust 100 percent of the combustion by-products (like moisture, carbon monoxide and nitrous oxide) safely outside the home. As a result your home's indoor air quality stays safe and clean!

Fireplace Xtrordinair Models:

Model 21 TRV (Bed & Breakfast)

Heats up to 650 sq. ft.
BTU Input on High Delivers 16,500 Btus/hr.
Overall Efficiency of 82.2% (NG)

Model 564 SS (Space Saver)

Heats up to 950 sq. ft.
BTU Input on High Delivers 20,500 Btus/hr.
Overall Efficiency of 76.5% (NG)

Model 864 TRV (Top/Rear Vent)

Heats up to 1,400 sq. ft.
BTU Input on High Delivers 31,000 Btus/hr.
Overall Efficiency of 80% (NG)

Model 864 HH (Home Heater)

Heats up to 2,250 sq. ft.
BTU Input on High Delivers 40,000 Btus/hr.
Overall Efficiency of 80.4% (NG)

Model 864 See Thru

Heats up to 1,500 sq. ft.
BTU Input on High Delivers 37,500 Btus/hr.
Overall Efficiency of 76.4% (NG)

Model 36 DV-XL (Direct Vent Extra Large)

Heats up to 2,250 sq. ft.
BTU Input on High Delivers 43,000 Btus/hr.
Overall Efficiency of 84% (NG)

Model 44 DV-XXL (Direct Vent Extra, Extra Large)

Heats up to 3,000 sq. ft.
BTU Input on High Delivers 58,000 Btus/hr.
Overall Efficiency of 79% (NG)

Architectural™ Double Doors

The **ARCHITECTURAL**™ doors offer an elegant collection of rectangular and arched black painted double doors for the 564 SS and 864 TRV, 864 HH and 864 See-Thru fireplaces. These beautiful doors, which can be opened, create the illusion of a much larger fireplace.



The Architectural Door Collection gives you the ability to add richly plated onlays to the basic black, double doors. Onlays are available in three distinct designs, each with their own unique, hand-rubbed antique plated finishes in antique bronze, copper or nickel.



This close up of the **Arts & Crafts Onlay** highlights a delicate oak leaf scroll, which is offered in a hand-rubbed antique copper finish.



The arched **Arts & Crafts Onlay** double door is shown finished with marble tile. The optional Arched Tile Guide allows you to apply cut tile, stone or any facing material to match the arch of the double doors. Ask your dealer for details.

Rectangular Double Doors



Architectural™ Rectangular Double Doors

Choose the basic Metallic Black Paint Finish or add one of the beautiful antique finished Onlays.

Arched Double Doors



Architectural™ Arched Double Doors

Choose the basic Metallic Black Paint Finish or add one of the beautiful antique finished Onlays.



The **Classic™ Onlay** is available in an Antique Bronze finish and features the detailed lace-like appearance of the “Original” Fireplace Xtordinaire Classic design. They attach to the rectangular or arched double doors.



The **Artisan™ Onlay** has a soft Antique Nickel finish, which features a graceful diamond pattern. These are attached to the rectangular or arched double doors.

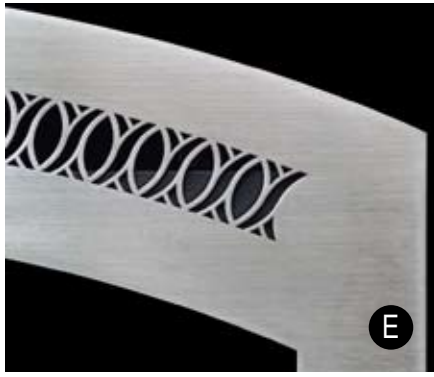
Classic Arch™ Faces



A

Classic Arch™ Faces

- A** This living area features the Model 36 DV-XL with Brushed Nickel Classic Arch™ face and includes the optional brick fireback.
- B** This study features the Model 36 DV-XL Classic Arch, shown in black paint finish with optional firebrick.
- C** Classic Arch, shown in brushed nickel finish, with optional brick fireback.
- D** Classic Arch, shown in black metallic painted finish, with optional brick fireback.
- E** Classic Arch detail showing the trademark Classic X and O pattern detail.



The original **Classic Arch**™ face may be used with any Fireplace Xtordinaire gas fireplace. The graceful arch opening that frames the fire viewing area is complemented by a parallel arch face. This combination of curves has a timeless appeal and universal application for a wide range of architectural styles.

The delicate heat exchange grills have the appearance of woven lace, a design departure from the horizontal bars of the average fireplace.

The beautiful parallel arch appearance and fine detail of this fireplace has become a unique, trademarked characteristic of Fireplace Xtordinaire, the original arched fireplace.



French Country™ Arched Faces



A

French Country™ Arch Faces

- A** This great room features the Model 44 DV-XL with the antique gold French Country™ face and includes the optional brick fireback.
- B** Model 564 shown with black painted French Country face and optional brick fireback.
- C** French Country, in black metallic painted finish with optional brick fireback.
- D** French Country, shown in Antique Gold plate finish with optional brick fireback.
- E** French Country detail showing the laser cut detail of the top convection grill leaf pattern.



The **French Country™ Arch** face is the perfect option with any Fireplace Xtrordinaire gas fireplace. The face complements the fire by adding warm, rustic comfort. The unique arch with its floral garland grill design comes in both black and a 24K hand-rubbed Antique Gold finish.

The lower room air inlet features detailed engraving, which creates the appearance of individual rings of gold metal. This, paired with the rustic floral garland creates a beautiful decorative screen to be enjoyed for years.



Metropolitan™ Faces



A



B

Metropolitan™ Faces

The **Metropolitan™** face may be installed on all Fireplace Xtrordinair fireplaces. This fireplace design features the same beautiful grillwork of the Classic Collection, but in a more linear, retro style. The beveled edges of the Metropolitan face design also create an intriguing, three-dimensional appearance.



C



D

- A Model 564 Space Saver shown with Brushed Nickel Metropolitan face and Herringbone brick fireback.
- B Model 36 DV-XL shown with Metallic Black Painted Metropolitan face and Straight Brick fireback.
- C Brushed Nickel Metropolitan Face.
- D Metallic Black Painted Metropolitan Face.

Matrix™ Face



A



Matrix™ Face

The **Matrix™** face offers a fresh, modern look to gas fireplaces.

The Matrix™ by Fireplace Xtrordinair is a contemporary styled facing designed for “making a statement” without the need for a traditional mantel or surround. Most importantly, its three-dimensional geometric design features offset, layered crimson pin-stripe over black in a structured geometric grid. Available only for the 564 Space Saver gas fireplaces.

- A** Model 564 SS shown with **Matrix™** Face and straight weathered brick fireback option.
- B** Model 564 SS shown with **Matrix™** Face and stainless steel interior liner and accent light options.
- C** **Matrix™** Face in Brushed Nickel Finish with black screen and red inlay detail.



Artisan™ Faces



Artisan™ Face Collection

The **Artisan™** fireplace face design and craftsmanship are reminiscent of the ironwork in the Great Lodges of Europe and America. The Artisan face is hand-forged and hammered by master blacksmiths in Europe. Each face bears unique, subtle characteristics from the hands of its creator, making it an individual work of art in iron.

On our gas fireplaces, a delicate wrought iron window detail of chiseled and twisted steel frames the soft curve of a large, ceramic glass viewing window.

A convection chamber which circulates heated room air around the appliance is concealed by a delicate, forged air intake and hot air return grill. Variations in the hand-forged metal texture will create an infinite variety of firelight reflections, whether you choose charcoal paint, hand-rubbed antique nickel, or the antique copper finish.



B



C



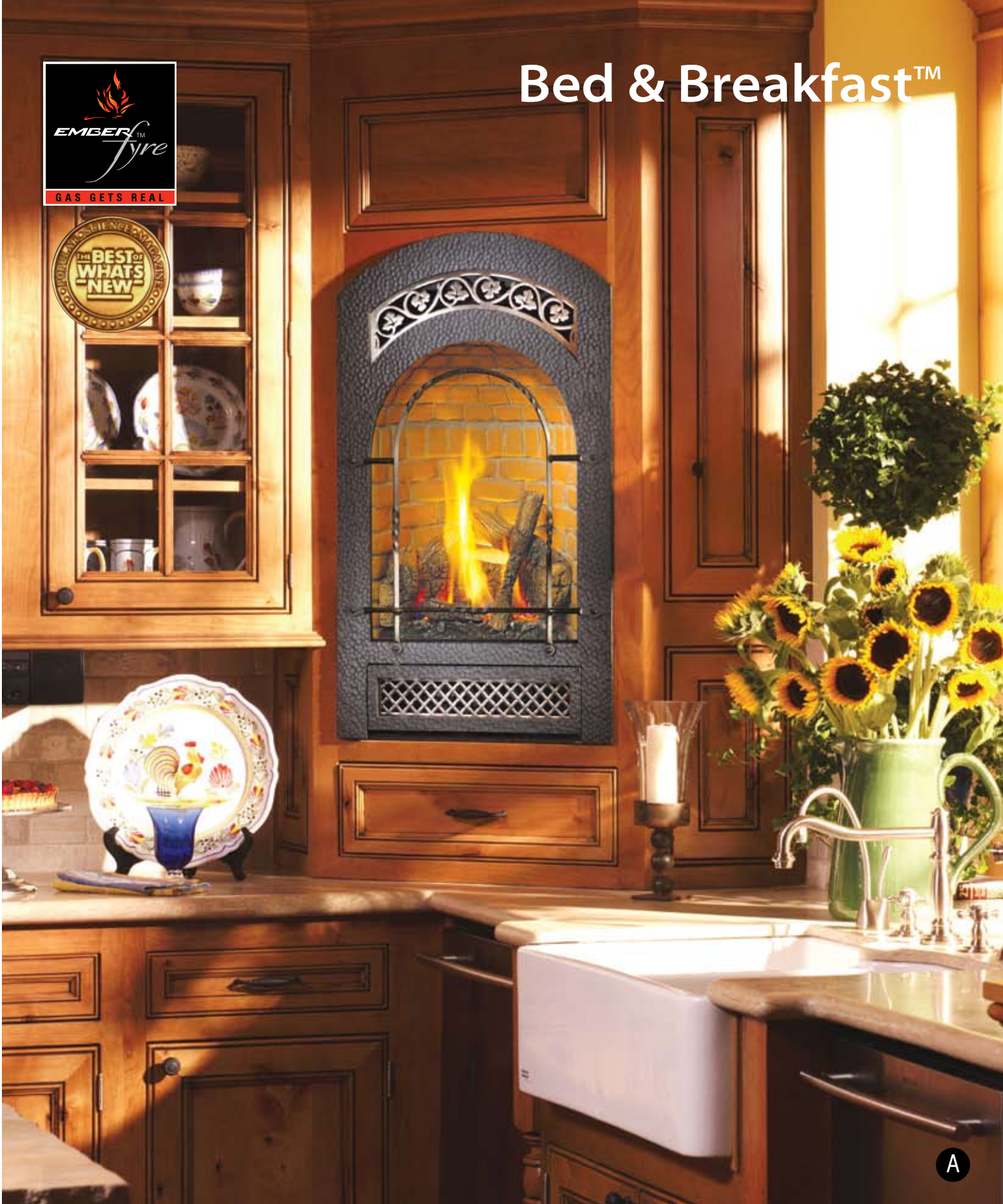
D

- A** This rustic great room features the Model 44 DV-XXL with the Artisan Antique Nickel face.
- B** Hand-rubbed antique copper finish.
- C** Hand-rubbed antique nickel finish.
- D** Charcoal painted finish.
- E** This Arts & Crafts den features the copper Artisan face on a Model 44 DV-XXL fireplace.



E

Bed & Breakfast™



A

Bed & Breakfast™ (21 TRV)

As the name Bed & Breakfast™ suggests intimacy and coziness, this gas fireplace embodies these very ideals. The Bed & Breakfast is designed for corner or limited space installations in small intimate settings such as bedrooms, baths and kitchens. The "Portrait" design of the fireplace offers a generous fire viewing area (303 sq. in.). With the award winning Ember-Fyre™ burner, the Bed & Breakfast fireplace gives you the ability to add a beautiful gas fireplace virtually anywhere in your home.

The Bed & Breakfast can be top or rear vented and can heat a room or area up to 650 sq. ft. If you need a little more heat add the optional, quiet 90 CFM blower to circulate heated air throughout the room.

Use your fireplace year-round, by adding the optional Accent Light. The Accent Light adds warm, dramatic highlights to the logs and optional liners, and can be used even when the fire is off.

- A** This kitchen features the Bed & Breakfast fireplace with the Artisan hand-hammered face, optional Antique Copper Arts & Crafts grill inserts, Brick Beehive Brick Liner and Accent Light.
- B** The Bed & Breakfast in this condo features the Black Classic Arch face, and has been enhanced with the Cast Shell Liner and installed in a pre-built tall corner cabinet which allows for a quick and easy addition of a fireplace in virtually any room.
- C** The bathroom features the Bed & Breakfast with the Brushed Nickel face and Tumbled Travertine Stone Liner and optional Copper Arts & Crafts Grills.



Black Painted
Classic Arched Face



Brushed Nickel
Classic Arch Face



Black Painted French
Country Arched Face



Antique Gold French
Country Face



Black Painted
Artisan™ Face

Options

All faces are 21" W x 35" H

Choice of Five Arched Faces:

- Classic Black 98500361
- Classic Brushed Nickel 98500362
- French Country Black 95700145
- French Country Ant. Gold 95700143
- Artisan™ New Iron 98500365

Choice of Two Arts & Crafts Grills:

- Antique Nickel 98500366
- Antique Copper 98500364

Choice of Three Liners:

- Cast Iron Shell 98500670
- Tumbled Travertine Stone 98500668
- Beehive Brick 98500669

Additional Options:

- Wall Thermostat 99300650
- Remote Control 99300651
- Modulating Remote NG 99300679
- Modulating Remote LP 99300678
- 90 CFM Convection Fan 99000160
- Accent Light 94400120
- Pre-Built Wood Cabinets



564 Space Saver™



Shown with Antique Gold French Country Arched face and Common Brick Firebrick.

564 Space Saver Face Options



Black Grill Set
(Arch Accent is removable)
36 1/4" W x 30 1/4" H



Black Painted Metropolitan™
36 1/8" W x 29 1/16" H



Brushed Nickel Metropolitan™
36 1/8" W x 29 1/16" H



Black Painted Classic Arch
36 1/8" W x 29 1/16" H



Brushed Nickel Plated Classic Arch
36 1/8" W x 29 1/16" H



Black Painted French Country™
36 1/8" W x 29 1/16" H

564 SS - Space Saver™

The 564 SS (Space Saver) is designed to offer a large viewing area along with comfortable heating for the smaller rooms of your home - up to 950 sq. ft with the optional fan. With its consistent, radiant and convective heat and the reduced dimensions, this fireplace is ideal for zone heating in bedrooms, dens and intimate spaces that do not require a great deal of heat.

The realistic flame along with the heat output, can be easily adjusted with our Comfort Control™ gas valve. This component allows you to turn the burner from high to low, while maintaining the fire and glowing embers, giving the fireplace the ability to be utilized and enjoyed year round.

The 564 SS can be personalized for your home. Choose from something as simple as the basic grill to thirteen different upgrade face options in various textures and rich colors. An optional 130 CFM fan can increase movement of heated air around the firebox, maximizing heat transfer and performance.



Adjustable Accent Light

Add a warm glow to your fireplace even when the fire is turned on or off! It's perfect as a night light or soft indirect light for the room.

- Accent Light - 94400100



Detailed Birch Log Set

The 564 SS offers the option of replacing the standard log set with a Birch Log option to give your fireplace an entirely different look.

- Birch Log - 94400996

Cast Iron Andirons

Make your fireplace even more authentic with one of our classic cast iron andiron sets.



• Lodge Ring
96700641



• Traditional Urn
96700643



• Traditional Ring
96700642

Five Decorative Firebacks Designs

Decorate the inside of your fireplace with one of our ceramic brick, tile, and stucco firebacks or add the Stainless Steel liner with its lovely brushed metal patina finish.



• Reversible Common Brick/Herringbone Brick - 96100179



• Reversible Diamond Mosaic/Stucco - 96100182



• Stainless Steel Liner - 96100180

Features

- Maximum BTUs: 20,500
- Thin profile - Only 16 1/4" deep.
- 564 square inches of tempered fire viewing glass.
- Removable safety screen in front of glass.
- Two level pan burner for realistic flame pattern.
- Standard wall switch included.
- Top or rear vent option on same unit.
- Easy to adjust air shutter.

Options Choice of Thirteen Faces:

• Basic Grill Set	96200808
• Classic Arch Black	95400402
• Classic Arch Brushed Nickel	95400405
• French Country Black	95400408
• French Country Antique Gold	95400409
• Artisan Charcoal	95400418
• Artisan Antique Copper	95400419
• Artisan Antique Nickel	95400420
• Metropolitan Black	95400411
• Metropolitan Brushed Nickel	95400413
• Architectural Double Door Arch	95400462
• Architectural Double Door Rect.	95400466
• Matrix Brushed Nickel	95400475

Architectural Double Door Onlays

• Artisan Antique Nickel Arch	96300771
• Arts & Crafts Antique Copper Arch	96300772
• Classic Antique Bronze Arch	96300770
• Artisan Antique Nickel Rect.	96300781
• Arts & Crafts Antique Copper Rect.	96300782
• Classic Antique Bronze Rect.	96300780

Additional Options:

• Wall Thermostat	99300650
• Remote Control	99300651
• Omega™ Modulating Remote LP	99300678
• Omega™ Modulating Remote NG	99300679
• Extra Room Power Heat Duct Kit	98500769
• 130 CFM Convection Fan	99000156



Antique Gold
French Country™
36 1/8" W x 29 1/16" H



Charcoal Painted
Artisan™
36 1/8" W x 29 1/16" H



Antique Copper
Artisan™
36 1/8" W x 29 1/16" H



Antique Nickel
Artisan™
36 1/8" W x 29 1/16" H



Architectural Rect.
Double Door
36 1/8" W x 29 1/16" H



Architectural Arch
Double Door
36 1/8" W x 29 1/16" H



Brushed Nickel
Matrix™
47" W x 29 1/2" H

864 TRV



Shown with charcoal painted Artisan™ face.

864 TRV Face Options



Black Grill Set
(Arch Accent is removable)
41" W x 36 5/8" H



Black Painted Metropolitan™
40 3/4" W x 35 1/2" H



Brushed Nickel Metropolitan™
40 3/4" W x 35 1/2" H



Black Painted Classic Arch
40 3/4" W x 35 1/2" H



Brushed Nickel Classic Arch
40 3/4" W x 35 1/2" H



Black Painted French Country™
40 3/4" W x 35 1/2" H

864 TRV - Top/Rear Vent

The 864 TRV top or rear vent is perfect for warmer climates, smaller spaces, or a beautiful, decorative fire all year long. It features a wide BTU turn down range for more heat flexibility and flame viewing options. A wide range of face styles and options are available to create an Xtrordinary fire. The 864 TRV features 864 square inches of tempered glass with a child-safe mesh screen in front. The screen is removable if desired.

Ultimate Flame Regulation

You have virtually unlimited flame variation with our Comfort Control™ valve and the Flame Height Adjuster Knob. Use all 31,000 BTU's of flame on the coldest winter nights or turn it down to only 6,700 (NG) or 5,200 (LP) for a romantic firelight on a warmer night. (1) Enjoy a full flame fire with maximum height. (2) Use the Flame Height Adjuster Knob to turn the flames lower when you want less heat. (3) Use the Comfort Control™ valve to turn off the rear burner completely for a darker, more romantic fire and less heat.

Adjustable Accent Light

Add a warm glow to your fireplace even when the fire is turned on or off! It's perfect as a night light or soft indirect light for the room.



• Accent Light
94400100

Choice of Three Andirons

Make a dramatic statement with a pair of our beautiful optional cast iron andirons.



• Arabesque
98500633



• Colonial
98500631



• Wrought Iron
98500632

Five Decorative Firebacks Designs

In addition to adding a gorgeous face to the outside of your fireplace, you can also decorate the inside with one of our patterned firebacks.



• Reversible Common/Herringbone Brick
96100262



• Reversible Diamond Mosaic Tile/Stucco
98500661



• Stainless Steel Liner
96100180



Antique Gold
French Country™
40 3/4" W x 35 1/2" H



Charcoal Painted
Artisan™
40 3/4" W x 35 1/2" H



Antique Nickel
Artisan™
40 3/4" W x 35 1/2" H



Antique Copper
Artisan™
40 3/4" W x 35 1/2" H



Architectural Rect.
Double Door
40 7/8" W x 35 5/8" H



Architectural Arch
Double Door
40 7/8" W x 35 5/8" H

Features

- Heating Capacity: Up to 1,400 sq. ft. with optional fan
- Maximum BTU's per hour: 31,000
- 8" top or rear vent options.
- No hearth required
- 864 square inches of tempered viewing glass.
- Removable safety screen in front of glass.
- Two level pan burner for realistic flame pattern.
- Standard wall switch included.
- Easy to adjust air shutter.
- Add heat to one additional room in your home with the Extra Room Power Heat Duct Kit.

Faces Choice of Thirteen Designs:

• Basic Black Grill Set	91002161
• Metropolitan Black Face	95800623
• Metropolitan Nickel Face	95800624
• Classic Arch Black	99300497
• Classic Arch Brushed Nickel	95800615
• French Country Black	95800616
• French Country Antique Gold	99300499
• Artisan Charcoal	99300498
• Artisan Antique Copper	95800619
• Artisan Antique Nickel	95800620
• Architectural Double Door Arch	95800740
• Architectural Double Door Rect.	95800742

Architectural Double Door Onlays

• Artisan Antique Nickel Arch	96300791
• Arts & Crafts Antique Copper Arch	96300792
• Classic Antique Bronze Arch	96300790
• Artisan Antique Nickel Rect.	96300801
• Arts & Crafts Antique Copper Rect.	96300802
• Classic Antique Bronze Rect.	96300800

Choice of Controls:

• Wall Thermostat	99300650
• Remote Control	99300653
• Omega™ Modulating Remote LP	99300678
• Omega™ Modulating Remote NG	99300679
• Extra Room Power Heat Duct Kit	98500769
• Convection Fan 130 CFM	99000156

864 Home Heater



Shown with black painted Classic Arch face, Stucco Liner and Accent Light.

864 HH Face Options



Black Grill Set
(Arch Accent is removable)
41" W x 36 5/8" H



Black Painted
Metropolitan™
40 3/4" W x 35 1/2" H



Brushed Nickel
Metropolitan™
40 3/4" W x 35 1/2" H



Black Painted
Classic Arch
40 3/4" W x 35 1/2" H



Brushed Nickel
Classic Arch
40 3/4" W x 35 1/2" H



Black Painted
French Country™
40 3/4" W x 35 1/2" H

864 HH - Home Heater

The 864 HH Home Heater offers more heat for colder climates and heats larger spaces - up to 2,250 sq. ft. Heat can be distributed to two additional heat zones for faster heat distribution to those rooms. The 864 HH includes the award-winning Ember-Fyre™ burner and gives you a gentle consistent heat.

Heating Efficiency

You get higher efficiency and higher BTUs in the same size firebox with the 864 HH. The Home Heater is designed to give you a gentle, consistent heat circulating throughout your home without overheating the room where the fireplace is installed. This allows you to enjoy the fire for as long as you like, not just when it is cold. Two power heat ducts can be added to direct heat to two additional heat zones. You still get the huge view of the fire, but more heat for larger rooms and living spaces.

Adjustable Accent Light

Add a warm glow to your fireplace even when the fire is turned on or off! It's perfect as a night light or soft indirect light for the room.

- Accent Light - 94400100



Choice of Three Andirons

Make a dramatic statement with a pair of our beautiful optional cast iron andirons.



• Arabesque
98500633



• Colonial
98500631



• Wrought Iron
98500632

Five Decorative Firebacks Designs

In addition to adding a gorgeous face to the outside of your fireplace, you can also decorate the inside with one of our patterned firebacks.



• Reversible Common/Herringbone Brick
96100262



• Reversible Diamond Mosaic Tile/Stucco
96100264



• Stainless Steel Liner
96100180



Antique Gold
French Country™
40 3/4" W x 35 1/2" H



Charcoal Painted
Artisan™
40 3/4" W x 35 1/2" H



Antique Nickel
Artisan™
40 3/4" W x 35 1/2" H



Antique Copper
Artisan™
40 3/4" W x 35 1/2" H



Architectural Rect.
Double Door
40 7/8" W x 35 5/8" H



Architectural Arch
Double Door
40 7/8" W x 35 5/8" H

Features

- Heating Capacity: Up to 2,250 sq. ft. with fan
- Maximum BTU's per hour: 40,000
- 8" top or rear vent options.
- No hearth required
- 864 square inches of ceramic viewing glass.
- Ember-Fyre™ burner for realistic flame pattern.
- Adjustable Comfort Control™ gas control valve.
- Standard wall switch included.
- Easy to adjust air shutter.
- Built-in 180 CFM convection heat fan.
- Add heat to two additional rooms in your home with the Extra Room Power Heat Duct Kit.

Faces Choice of Thirteen Designs:

- Basic Black Grill Set 91002161
- Metropolitan Black Face 95800623
- Metropolitan Nickel Face 95800624
- Classic Arch Black 99300497
- Classic Arch Brushed Nickel 95800615
- French Country Black 95800616
- French Country Antique Gold 99300499
- Artisan Charcoal 99300498
- Artisan Arch Antique Copper 95800619
- Artisan Arch Antique Nickel 95800620
- Architectural Double Door Arch 95800740
- Architectural Double Door Rect. 95800742

Architectural Double Door Onlays

- Artisan Antique Nickel Arch 96300791
- Arts & Crafts Antique Copper Arch 96300792
- Classic Antique Bronze Arch 96300790
- Artisan Antique Nickel Rect. 96300801
- Arts & Crafts Antique Copper Rect. 96300802
- Classic Antique Bronze Rect. 96300800

Additional Options

- Wall Thermostat 99300650
- Remote Control 99300676
- Omega™ Modulating Remote LP 99300678
- Omega™ Modulating Remote NG 99300679
- Extra Room Power Heat Duct Kit 98500769

864 See-Through



Shown with arched Architectural Double Doors with Bronze Onlays and Common Brick Fireback.

Decorative Firebacks



• Reversible - Straight Brick or Herringbone Brick 96100184



• Reversible - Diamond Mosaic Tile or Stucco 96100186



• Stainless Steel 96100188

864 See-Through Face Options



Black Grill Set
(Arch Accent is removable)
41" W x 36 5/8" H



Black Painted Metropolitan™
40 3/4" W x 35 5/8" H



Brushed Nickel Metropolitan™
40 3/4" W x 35 5/8" H



Black Painted Classic Arch
40 3/4" W x 35 5/8" H



Brushed Nickel Classic Arch
40 3/4" W x 35 5/8" H



Black Painted French Country™
40 3/4" W x 35 5/8" H

864 See-Thru

A home is a combination of dreams and choices, each a reflection of you. From the most intimate engraved details on a fireplace face to the grandest of fires, our fireplaces bring a sense of tranquility to your home.

The 864 ST maintains this tranquility with a perfect balance between the firebox, logs and flames. The logs and fire have been carefully designed to give you a different look from either side. Compare the amazingly realistic eight piece logset with any other see-thru fireplace on the market! With the unique two-stage stepped burner, the 864 ST See-Thru fireplace will give you a warm, yellow fire with glowing embers that your friends and family will have a hard time telling apart from a real wood fire.

A Fireplace With Two Points of View

With two sides to the 864 ST Fireplace you get the ability to personalize each room using a different face on each side of the fireplace. Choose from the Basic Grill Set in black, as seen to the right, or pick one of the 13 beautiful upgrade faces in a wide variety of finishes and designs.

Decorative Firebacks

In addition to adding a gorgeous face to the outside of your fireplace, you can also decorate the inside. We offer two reversible fireback liners and a striking stainless steel liner that give you the choice of five different interior looks.

Choice of Three Andirons

Make a dramatic statement with a pair of our beautiful optional cast iron andirons.



• Arabesque
98500633



• Colonial
98500631



• Wrought Iron
98500632

Adjustable Accent Light

Add a warm glow to your fireplace even when the fire is turned on or off! It's perfect as a night light or soft indirect light for the room.

• Accent Light - 94400100



Features

- Heating Capacity: Up to 1,000 sq. ft. with fan
- Maximum BTUs per hour: 37,500
- 8" top or side vent options.
- No hearth required.
- 864 square inches of ceramic viewing glass.
- Two-stage tube burner for realistic flame pattern.
- 8 piece log set - different look from either side.
- Easy to adjust air shutter.
- Add heat to one additional rooms in your home with the Extra Room Power Heat Duct Kit.

Faces Choice of Thirteen Designs:

• Basic Black Grill Set	91002161
• Metropolitan Black Face	95800623
• Metropolitan Nickel Face	95800624
• Classic Arch Black	99300497
• Classic Arch Brushed Nickel	95800615
• French Country Black	95800616
• French Country Antique Gold	99300499
• Artisan Charcoal	99300498
• Artisan Arch Antique Copper	95800619
• Artisan Arch Antique Nickel	95800620
• Architectural Double Door Arch	95800740
• Architectural Double Door Rect.	95800742

Architectural Double Door Onlays

• Artisan Antique Nickel Arch	96300791
• Arts & Crafts Antique Copper Arch	96300792
• Classic Antique Bronze Arch	96300790
• Artisan Antique Nickel Rect.	96300801
• Arts & Crafts Antique Copper Rect.	96300802
• Classic Antique Bronze Rect.	96300800

Choice of Controls:

• Optional 130 CFM convection fan	99000161
• Wall Thermostat	99300650
• Remote Control	99300653
• Omega™ Modulating Remote LP	99300678
• Omega™ Modulating Remote NG	99300679
• Extra Room Power Heat Duct Kit	98500769



Antique Gold
French Country™
40 3/4" W x 35 5/8" H



Charcoal Painted
Artisan™
40 3/4" W x 35 5/8" H



Antique Nickel
Artisan™
40 3/4" W x 35 5/8" H



Antique Copper
Artisan™
40 3/4" W x 35 5/8" H



Architectural Rect.
Double Door
40 7/8" W x 35 5/8" H



Architectural Arch
Double Door
40 7/8" W x 35 5/8" H

Model 36 DV-XL



Shown with Brushed Nickel Classic Arched face and Brick Fireback.

36 DV-XL Face Options



Black Painted
Metropolitan™
38" W x 27 1/2" H



Brushed Nickel
Metropolitan™
38" W x 27 1/2" H



Black Painted
Classic Arch
36" W x 29" H



Brushed Nickel
Classic Arch
36" W x 29" H

36 DV-XL - Top Vent

The 36 DV XL is our most popular model gas fireplace. The 36 DV XL is sized to heat a larger space, typical of today's homes. It features high efficiency, ever-changing flame patterns from the patented Ember-Fyre™ burner, realistic logs, and numerous installation options. And after you've taken one look, you can see why this is the only fireplace that can be called Xtrordinary.

36 DV XL has a more traditional landscape viewing area for you to enjoy more beauty of the fire. The 36 DV XL does not come with a grate so the flames burst straight from the brick floor, giving it a unique appearance. While liners are optional, the black background is standard and really helps characterize the uniqueness of the fire.

Designed to deliver heat quickly, the 36 DV XL Gas Fireplace has one of the highest BTU ratings and efficiency for its class. The fan is standard at 200 CFM and has an option of up to two heat duct kits for moving heat to additional room. This is perfect for larger houses with many open rooms and high ceilings.



Decorative Brick Fireback

In addition to adding a gorgeous face to the outside of your fireplace, you can also decorate the inside with the straight brick fireback.

Features

- Heating Capacity: Up to 2,250 sq. ft. with fan
- Maximum BTUs: 43,000
- Designed as a complete home heater.
- Furnace rated.
- Fast delivery of heat when you need it.
- 6 5/8" top vent.
- Heavy-duty construction inside and out.
- 487 square inches of ceramic viewing glass.
- Ember-Fyre™ burner for realistic flame pattern.
- Incredibly realistic fire with glowing embers and logs
- Direct vent system preserves indoor air quality.
- Built-in restrictor allows fine tuning of flame.
- Easy to adjust air shutter.
- Shut-off valve included in fireplace.
- Built-in 200 CFM convection heat fan.
- LP conversion kit included at no additional cost.
- Add heat to one or two additional rooms in your home with the Extra Room Power Heat Duct Kit.

Options Choice of Nine Faces:

- | | |
|------------------------------------|----------|
| • Metropolitan Black Face | 98500565 |
| • Metropolitan Brushed Nickel Face | 95400611 |
| • Classic Arch Black | 98500561 |
| • Classic Arch Brushed Nickel | 98500566 |
| • French Country Black | 95400609 |
| • French Country Antique Gold | 95400600 |
| • Artisan Charcoal | 98500567 |
| • Artisan Antique Copper | 98500569 |
| • Artisan Antique Nickel | 98500568 |

Choice of Controls & Add Ons:

- | | |
|----------------------------------|----------|
| • Straight Brick Fireback | 98500634 |
| • Thermostat | 99300650 |
| • Remote Control | 99300651 |
| • Extra Room Power Heat Duct Kit | 98500769 |



Black Painted
French Country™
36" W x 29" H



Antique Gold
French Country™
36" W x 29" H



Charcoal Painted
Artisan™
36" W x 29" H



Antique Nickel
Artisan™
36" W x 29" H



Antique Copper
Artisan™
36" W x 29" H

Model 44 DV-XXL



Shown with Antique Gold French Country arched face and Brick Fireback.

44 DV-XXL Face Options



Black Painted
Metropolitan™
45 1/8" W x 32 3/8" H



Black Painted
Classic Arch
46" W x 33 7/8" H



Brushed Nickel
Classic Arch
46" W x 33 7/8" H

44 DV-XXL

The 44 DV XXL, our largest gas fireplace, features an impressive 30,000-58,000 BTU heating range, high efficiency, realistic logs and flames and numerous installation options. The 44 DV XXL is another example why this is the only fireplace line that can be called Xtraordinary.

The 44 DV XXL is referred to as the Ultimate Home Heater just for its size. Although it has one of the largest traditional landscape viewing areas, it also has the highest efficiency and greatest BTUs. It has the ability to heat an entire house (up to 3,000 sq. ft.) with its optional heat ducts and a standard fan of 300 CFM. Not only is this fireplace efficient, it also has one of the most exceptional fires. The fireplace features beautifully detailed logs and flames that cover the entire width of the glass face. The 44 DV XXL is perfect for today's lifestyle, it can heat multiple, large open rooms with high ceilings, and is great for those colder climates.



Decorative Brick Fireback

In addition to adding a gorgeous face to the outside of your fireplace, you can also decorate the inside with the brick firebacks. The Model 44 DV-XL features straight brick on the side and herringbone pattern in the back.

Features

- Heating Capacity: Up to 3,000 sq. ft. with fan
- Maximum BTU's: 58,000.
- Designed as a complete home heater.
- Furnace rated.
- Fast delivery of heat when you need it.
- 8" top vent.
- Heavy-duty construction inside and out.
- 702 square inches of ceramic viewing glass.
- Ember-Fyre™ burner for realistic flame pattern.
- Incredibly realistic fire with glowing embers and logs.
- Direct vent system preserves indoor air quality.
- Built-in restrictor allows fine tuning of flame.
- Easy to adjust air shutter.
- Shut-off valve included in fireplace.
- Built-in 300 CFM convection heat fan.
- LP conversion kit included at no additional cost.
- Add heat to one or two additional room in your home with the Extra Room Power Heat Duct Kit.

Options Choice of Eight Faces:

- Metropolitan Black 98500598
- Classic Arch Black 98500577
- Classic Arch Brushed Nickel 98500578
- French Country Black Painted 95400767
- French Country Antique Gold 98500597
- Artisan Charcoal 98500579
- Artisan Arch Antique Copper 98500588
- Artisan Arch Antique Nickel 98500589

Choice of Controls & Add Ons:

- Wall Thermostat 99300650
- Remote Control 99300651
- Power Heat Duct Kit 98500769
- Straight Brick Fireback 98500639



Black Painted
French Country™
46" W x 33 7/8" H



Antique Gold
French Country™
46" W x 33 7/8" H
(Limited To Stock On Hand)



Charcoal Painted
Artisan™
46" W x 33 7/8" H



Antique Nickel
Artisan™
46" W x 33 7/8" H



Antique Copper
Artisan™
46" W x 33 7/8" H

Pre-Manufactured Installation Systems

Now it is easy to choose a fireplace system, and it can be installed in an afternoon. Fireplace Xtrordinair, Hearth Classics™, J. C. Huffman™ and Grand Mantel™ have joined together to provide a one-stop solution. You select from the highest-quality gas fireplaces, tile or stone hearth products, and custom wood mantels -- all designed to work in perfect harmony. No need to search for craftsmen or finish carpenters.



- A** Select the Fireplace Xtrordinair fireplace model best suited for your application.
- B** Choose your tile surround and hearth (There are many selections available. Ask your dealer for details).
- C** Choose your mantel. There are many selections available. Consider one of the fine mantels built by:
J. C. Huffman Cabinet Co.
www.jchuffman.com
Hearth Classics
www.hearthclassics.com
Grand Mantels
www.grandmantel.com
 Ask your dealer for details.
- D** Choose from our large selection of Fireplace Xtrordinair faces.



Bed & Breakfast Cabinets

Install your Bed & Breakfast fireplace in a pre-built cabinet. Our dealers offer a wide variety of styles and finishes to compliment your home decor. This cabinet allows for quick and easy installation of your fireplace in any room with virtually no remodeling.



Extra Room Power Heat Duct Kit

This venting option delivers heat off of the fireplace and delivers it to additional heat zones within your home. This allows you to heat more of your home more quickly. At the time of framing determine where you want to direct the heated air - upstairs, downstairs or anywhere in your home within 20 feet of the fireplace. You have the option of adding one Power Heat Duct Kit on the 864TRV or one or two on the 864 HH, 36 DV-XL and 44 DV-XXL. The Bed & Breakfast and 564 Space Saver do not have the option of adding the Extra Room Power Heat Duct Kit.

Wall Thermostat or Remotes



Fireplace Xtrordinairs wall thermostat and remote control options make the operation of your fireplace as easy as setting the temperature on the wall thermostat or pushing of a button from the comfort of your living room chair.

Wall Thermostat - The wall thermostat can be wired up to 25 feet from the appliance and allows you to set the room temperature you wish to maintain in the room.



Remote Control - Remote allows for convenient ON/OFF control of the fire along with thermostat settings to set and maintain the comfort level of your home.



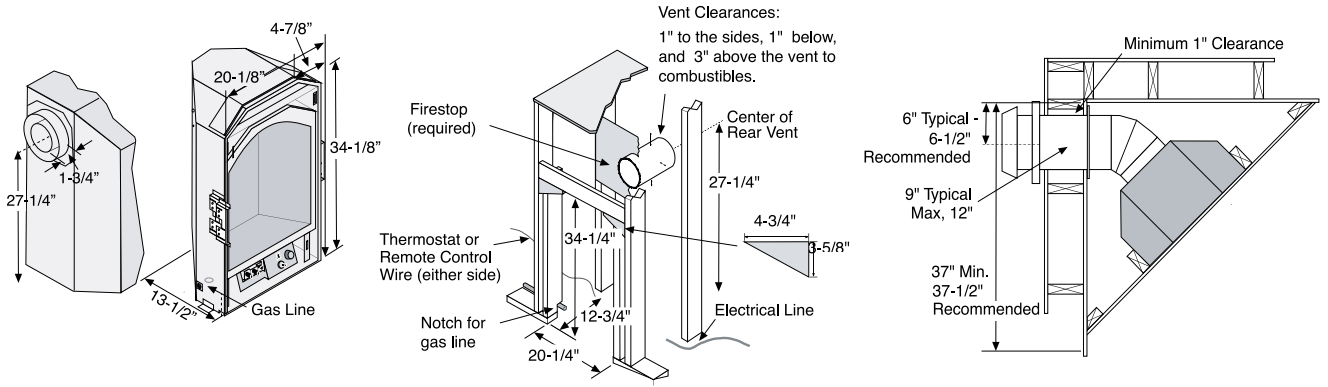
Omega™ Modulating Remote Control - Allows for the ultimate in remote control operation of your fireplace. The Omega remote allows for ON/OFF and thermostat controls along with modulating (high to low) control of flame heat, blower speed and accent light intensity. Not available for the 36 DV-XL or 44 DV-XXL.

Outdoor Room Installation

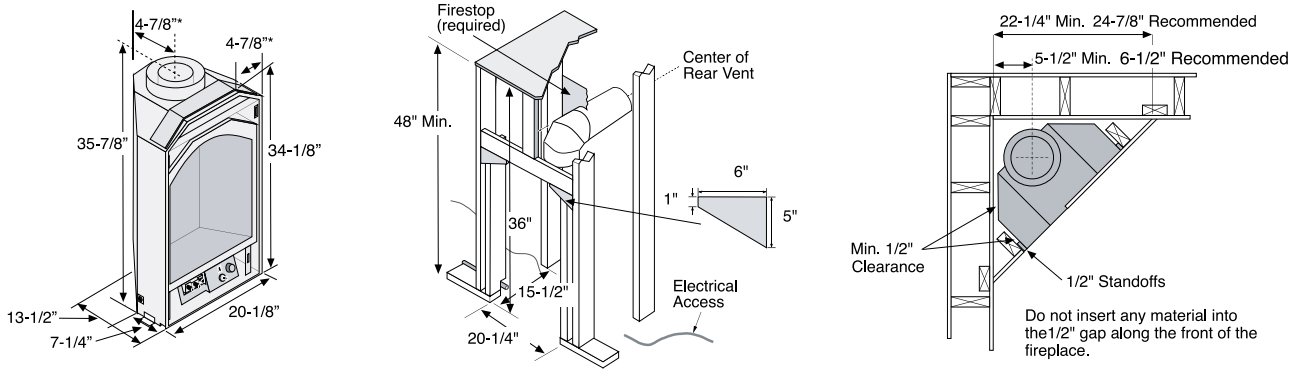
The outdoor living room is the most asked for room addition found in new home construction and remodels. Now you can add the beauty of fire to your outdoor living environment with a fireplace by Fireplace Xtrordinair. All the gas fireplaces in this brochure are approved for outdoor installation when installed in a covered porch or if the fireplace is protected by a roof overhang. Fireplaces must be protected from direct water impingement. In addition to maintaining listed mantel and combustible clearances, a rain protection overhang factor of 0.5 (i.e.: 0.5 feet of overhang for every 1.0 foot of roof line elevation above the base of the fireplace) must be constructed to the front and to each side of installed appliances. All wiring connections to power must be in accordance with outdoor requirements of NECA NFPA70.



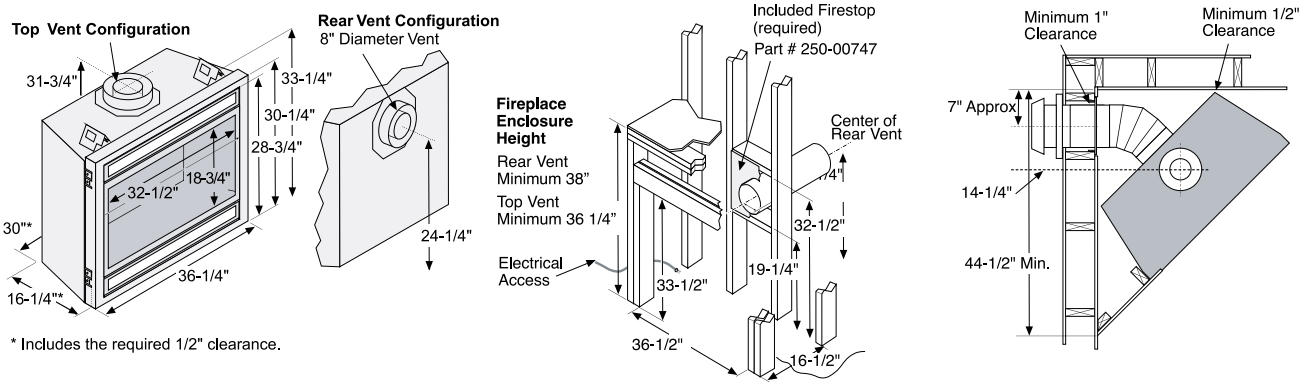
21 TRV - Rear Vent Bed & Breakfast



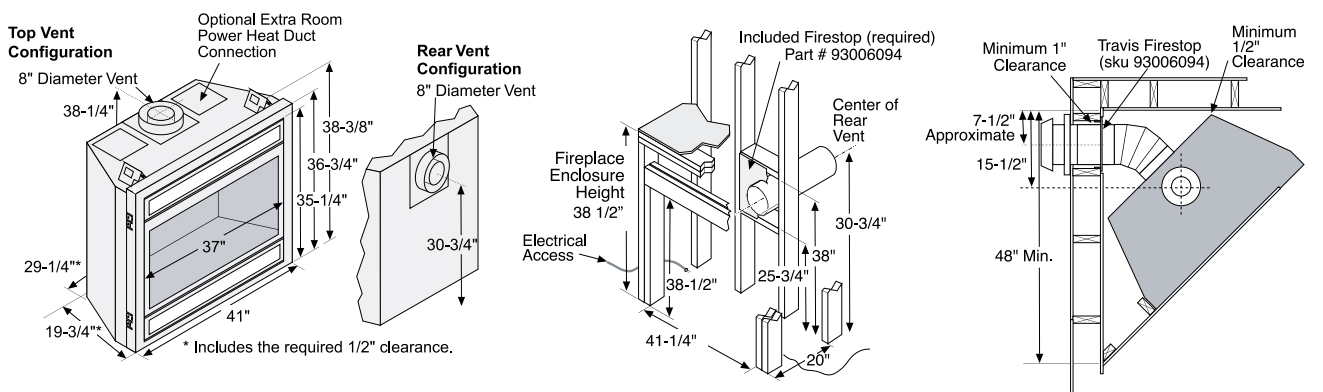
21 TRV - Top Vent Bed & Breakfast



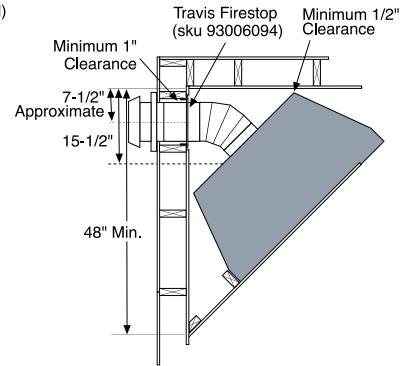
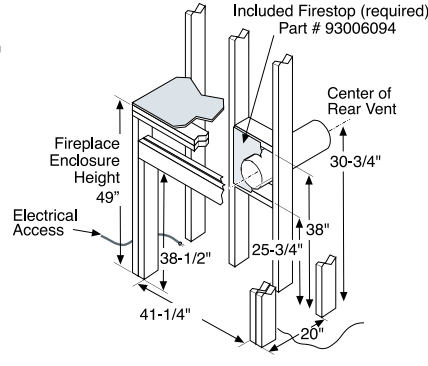
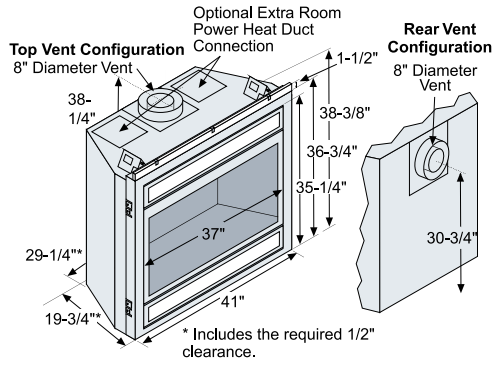
564 SS Space Saver



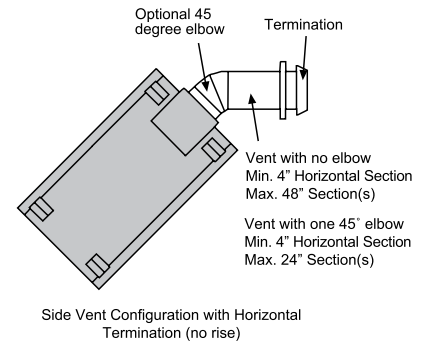
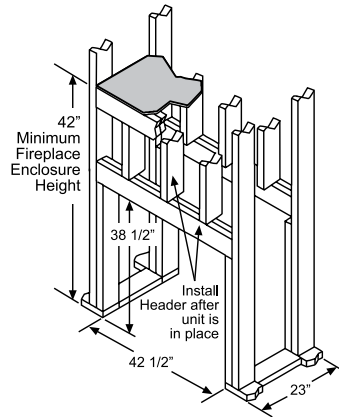
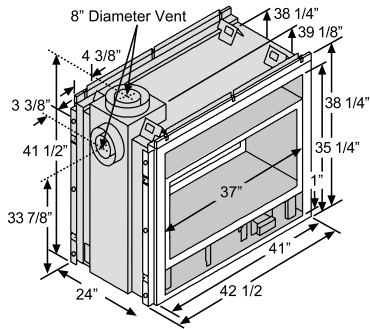
864 TRV Top Vent/Rear Vent



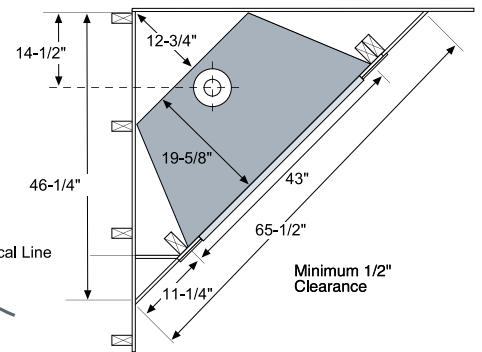
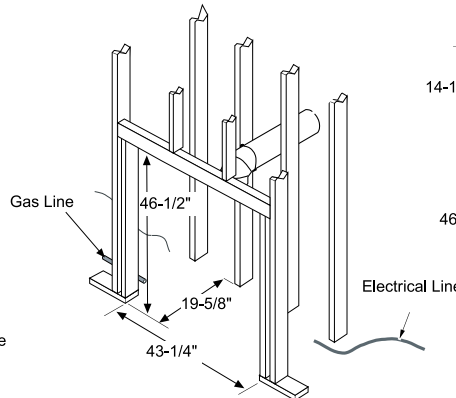
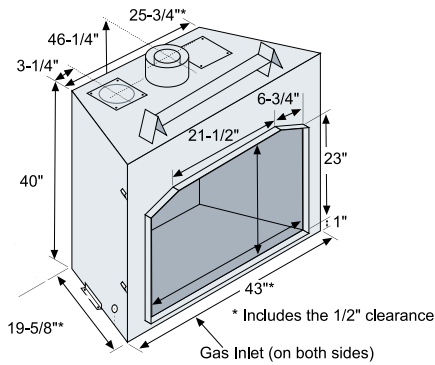
864 HH Home Heater



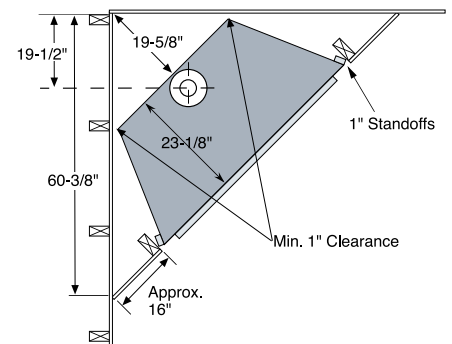
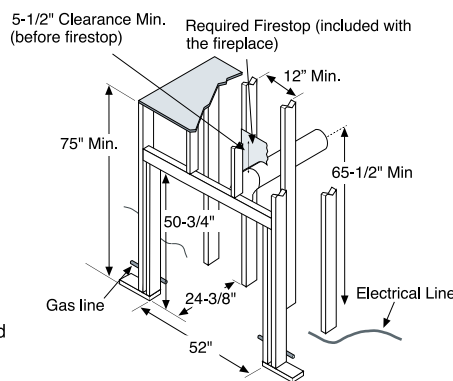
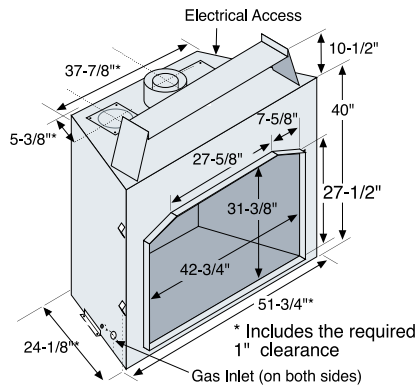
864 ST See-Thru



36 DV-XL



44 DV-XXL



Fireplaces

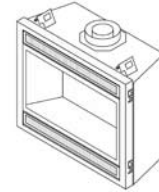
The dimensions and clearances on this page are for reference only!

Refer to the Owner's Manual prior to installation

21
TRV



564
SS



864
TRV



SPECIFICATIONS	21 TRV - Bed & Breakfast	564 Space Saver	864 TRV
Height (including standoffs)	35 7/8"	33 1/4"	38 3/8"
Width	20 1/8" Front	36 1/4"	41"
Depth	15"	16 1/4" (Includes 1/2" clearance)	19 3/4" (Includes 1/2" clearance)
Flue Diameter	8"	8"	8" (Top vent can be reduced to 6 5/8")
Unit Weight	86 lbs.	155 lbs.	205 lbs.
Burner System	Ember-Fyre™*	2 Stage Pan Burner	2 Stage Tube Burner
Glass Area (will vary slightly with face plate design)	16" W x 20 1/2" H = 303 sq. in.	30 1/2" W x 18 1/2" H = 564 sq. in.	36" W x 24" H = 864 sq. in.
Powerful Fan	YES - 90 CFM (Optional)	YES - 180 CFM (Optional)	YES - 180 CFM (Optional)
Power Duct Option	NO	NO	YES (One Only)

*Ember-Fyre™ Protected By U.S. Patent #6,602,068, #6,443,726 and other patents pending.

PERFORMANCE* *Gas appliance performance can be affected by negative pressure in the home and by prevailing atmospheric conditions. Efficiency may vary due to local conditions. Consult your local gas utility or fire officials about restrictions and installation requirements in your area.

Heating Capacity*	Up to 650 Sq. Ft.	Up to 950 Sq. Ft.	Up to 1,400 Sq. Ft.
BTU Input High/Output Low (NG)*	16,500 (high) 10,500 (low)	20,500 (high) 5,100 (low)	31,000 - 6,700
BTU Input High/Output Low (LP)*	16,500 (high) 9,380 (low)	20,500 (high) 4,200 (low)	31,000 - 5,200
Overall Efficiency* (maximum venting)	82.2% (NG) 79.5% (LP)	76.5% (NG) 74.2% (LP)	80% (NG) 81% (LP)
AFUE*	63% (NG) 63% (LP)	64% (NG) 66% (LP)	68.3% (NG) 69.8% (LP)

COMBUSTIBLE CLEARANCES

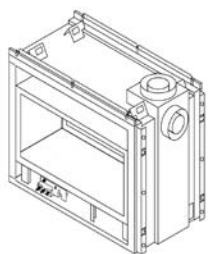
Always consult the Owner's Manual before beginning any installation. Installation and framing information is provided in the Owner's Manual.

<p>All Measurements taken from fireplace face.</p> <p>A= To Mantel D= To Side Facing B= To Top Facing E= Front Hearth C= To Sidewall F= Hearth Width</p>	<p>The Bed & Breakfast fireplace requires a 1" minimum clearance from face to sidewall. Combustibles can be installed up to the standoffs on the unit. If a mantel is used please see Owner's Manual for minimum clearances.</p>	<p>A = 38 1/2"* (measured from base of fireplace)</p> <p>B = 0"</p> <p>C = 1"</p> <p>D = 0"</p> <p>E = None Required</p> <p>F = None Required</p>	<p>A = 40 3/4"* to 48 3/4"* (measured from base of fireplace)</p> <p>B = 0"</p> <p>C = 1"</p> <p>D = 0"</p> <p>E = None Required</p> <p>F = None Required</p>
	<p>The height of the Bed & Breakfast fireplace enclosure must be a minimum of 48" above the base of the fireplace.</p>	<p>*0 to 12" maximum mantel depth. See Owner's manual for details</p>	<p>*Will vary depending mantel depth. 0 to 12" maximum mantel depth. See Owner's manual for details</p>
	<p>If placed on a raised hearth, the ceiling above the Bed & Breakfast must be at least 57" measured from the base of the fireplace.</p>		<p>Note: Each face plate design varies in dimension slightly.</p>

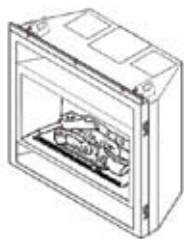
TESTING & INSTALLATION INFORMATION

Tested and Listed by OMNI-Test Laboratories Inc. to ANSI Z21.88b-2001 "Vented Gas-Fired Direct Fireplace Heater." Must be installed in accordance with all local codes, if any; if not, follow ANSI Z223.1 and the requirements listed in the Owner's Manual.

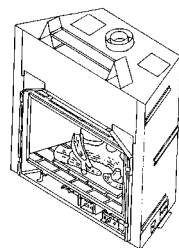
864
See-Thru



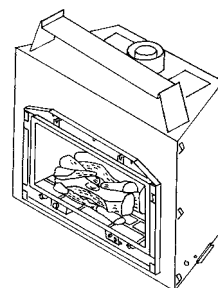
864
HH



36
DV-XL



44
DV-XXL



864 See-Thru	864 Home Heater	Direct Vent Extra Large	Direct Vent Extra, Extra Large
38 1/4"	38 3/8"	46 1/4"	50 1/2"
41"	41"	43"	51 3/4"
24" (Includes 1/2" clearance)	19 3/4"	19 5/8"	24 1/8"
8" (Top vent can be reduced to 6 5/8")	8" (Top vent can be reduced to 6 5/8")	6 5/8"	8"
275 lbs.	225 lbs.	235 lbs.	362 lbs.
2 Stage Pan Burner	Ember Fyre™*	Ember-Fyre™*	Ember-Fyre™*
Each side 36" W x 24" H = 1728 sq. in.	36" W x 24" H = 864 sq. in.	30" W x 16 3/4" H = 487 sq. in.	37" W x 21" H = 777 sq. in.
YES - 130 CFM (Optional)	YES - 180 CFM	YES - 200 CFM	YES - 300 CFM
YES (One Only)	YES (One or Two)	YES (One or Two)	YES (One or Two)

Depending on vent configuration and atmospheric conditions. Contact local building

Up to 1,500 Sq.Ft.	Up to 2,250 Sq.Ft.	Up to 2,250 Sq.Ft.	Up to 3,000 Sq.Ft.
37,500 - 14,700	40,000 - 15,962	43,000 (high) 23,384 (low)	58,000 (high) 43,000 (low)
37,500 - 10,000	39,000 - 16,280	43,000 (high) 20,800 (low)	58,000 (high) 44,000 (low)
76.4% (NG) 77.5% (LP)	80.4% (NG) 83.4% (LP)	84% (NG) 85% (LP)	79% (NG) 81% (LP)
64% (NG) 65% (LP)	69.4% (NG) 70.8% (LP)	72% (NG) 73% (LP)	68% (NG) 69% (LP)

on is available at your local Fireplace Xtrordinair dealer or on our website at www.fireplacex.com

A = "48 3/4" ** (measured from base of fireplace)	A = 41 3/4" to 52 3/4" ** (measured from base of fireplace)	A = 22" Rect. or 24" Arch*	A = 16" or 20" * (Depending on face)
B = 0"	B = 0"	B = 10"	B = 12" or 14" (Depending on face)
C = 3 1/4"	C = 1"	C = 4 1/2"	C = 3 1/2"
D = 2 1/8"	D = 0"	D = 4 1/2"	D = 3 1/2"
E = None Required	E = None Required	E = 16" (if raised 3" no hearth is required)	E = 12" (if raised 3" no hearth is required)
F = None Required	F = None Required	F = 36" Arch or 38 1/4" Rect.	F = 53" (minimum)
*Will vary depending mantel depth. 0 to 12" maximum mantel depth. See Owner's manual for details Note: Each face plate design varies in dimension slightly.	*Will vary depending mantel depth. 0 to 12" maximum mantel depth. See Owner's manual for details Note: Each face plate design varies in dimension slightly.	8" maximum mantel depth for com- bustible mantel. With non-combus- tible mantles 8" maximum depth, 12" minimum clearance from top of face and be located below the header. Note: Each face plate design varies in dimension slightly. 3/4" minimum non-combustible hearth required for floor mounted fireplaces.	*12" maximum mantel depth Note: Each face plate design varies in dimension slightly. 3/4" minimum non-combustible hearth required for floor mounted fireplaces.

NOTE: Improper installation of your gas appliance or failure to operate it in accordance to the guidelines detailed in the Owner's Manual may negate your warranty and endanger your home and family. Installation information is available on our website at www.fireplacex.com.

We recommend all Fireplace Xtrordinair appliances be installed and maintained on an annual basis by your Specialty Hearth Retailer.

Warranty

Your gas fireplace is backed by up by a network of Specialty Hearth Dealers and certified factory trained Installers. Fireplace Xtrordinair warrants our products to be free from defects in material and workmanship for a period of 5 years from date of purchase. All parts, electronics (except light bulbs and filter), and labor are covered for a full 2 years. Trim and faces are covered for a period of one year. No other manufacturer's warranty can compare.

Additional Fireplace Xtrordinair Products

If you are in the market for other hearth products, Fireplace Xtrordinair manufactures a full line-up of wood, gas and electric fireplaces and wood and gas fireplace inserts.



Electric Fireplaces

Fireplace Xtrordinair 564E Electric Fireplace offers the convenience of adding a fireplace to any room within your home. With no venting required, installation can be completed in as little as one hour. The 564E offers a selection of finish faces to match any home decor.



Clean Face Gas Fireplaces

If you are interested in the latest trend in fireplace design, Fireplace Xtrordinair's Revolution™ Clean Face fireplace offers the look of a traditional open fireplace without grills or louvers. These fireplaces operate with the efficiencies and performance of a gas furnace.



Fireplace Inserts (Wood or Gas)

Turn your old, open masonry or metal (zero clearance) fireplace into a clean, efficient source of heat for your home. Fireplace Xtrordinair offers a complete line of heater rated wood and gas inserts to fit virtually any existing fireplace.



Wood Burning Fireplaces

If you prefer heating with wood, Fireplace Xtrordinair also manufactures a line of EPA Certified clean burning fireplaces that feature the remarkable Posi-Pressure complete home heating system.



fireplace**xtrordinair**™

See our complete line of fireplaces
Visit us online: www.fireplacex.com