



PERFECT HEAT.™

# Owner's Guide

## DCS OUTDOOR REFRIGERATOR AND BEVERAGE ALL REFRIGERATOR

### OWNER'S INSTRUCTIONS

How to operate and care for your appliance and how to get the best, as well as lowest cost, and performance.

### READ AND KEEP THESE INSTRUCTIONS!

#### Note to Customer:

This merchandise was carefully packed and thoroughly inspected before leaving our plant. Responsibility for its safe delivery was assumed by the carrier upon acceptance of the shipment. As directed on the side of your packing carton, claims for loss or damage sustained in transit must be made on the carrier as follows:

- A) **Exterior Damage:** Make thorough damage notation on your delivery receipt and have driver acknowledge by signature and date. Send a written request asking for an inspection report from carrier. Include the name of carrier representative and the date the inspection was requested. Retain inspection report and receipt for filing of a claim.
- B) **Concealed Damage:** This must be reported to carrier within fifteen days. Obtain inspection report from the carrier. Retain the inspection report for filing of the claim. **DO NOT RETURN DAMAGED MERCHANDISE TO MANUFACTURER -- FILE THE CLAIM WITH THE CARRIER.**

**DYNAMIC COOKING SYSTEMS, INC.**

**5800 Skylab Road**

**Huntington Beach, CA 92647**

**Telephone 1-800-433-8466**

P/N 17312  
P/N 41006292  
Revision "A"

# HOW TO INSTALL YOUR OUTDOOR REFRIGERATOR . . .

**1. Select Location:** The proper location will ensure peak performance of your appliance. Choose a location where the unit will be out of direct sunlight and away from heat sources. Units with fan cooled condensers can be built in.

Unit should be operated in a properly ventilated area with ambient temperatures above 40 degrees and below 100 degrees Fahrenheit.

Installation should be such that the cabinet can be moved for servicing if necessary.

**2. Cabinet Clearance:** Ventilation is required from the bottom front section of the unit. **Keep this area open and clear of any obstructions.**

The adjacent cabinets and counter top can be built around the unit as long as no top trim or counter top is installed lower than the top of the hinge.

**3. Electrical Connection:** Check serial plate for correct power supply. Use only electrical power supply as specified on your appliance serial nameplate. **Do not use an extension cord!**

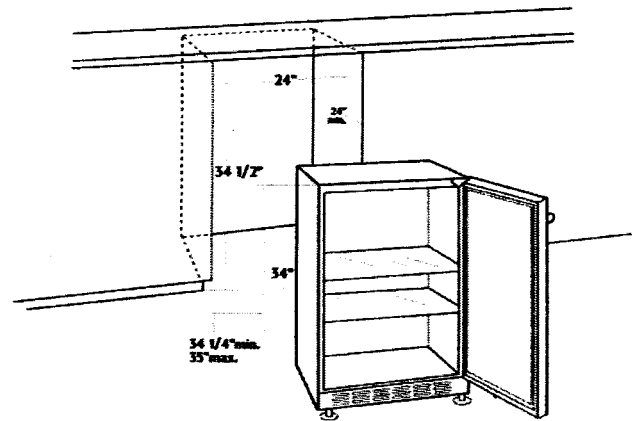
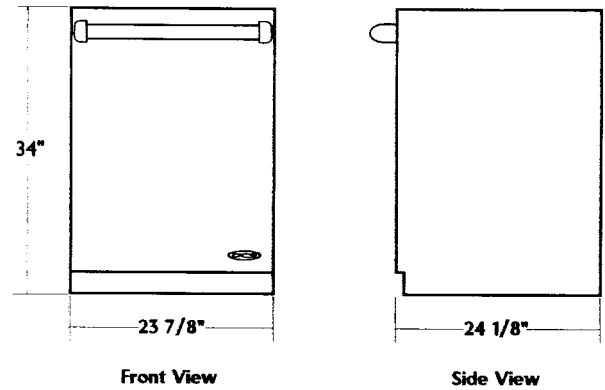
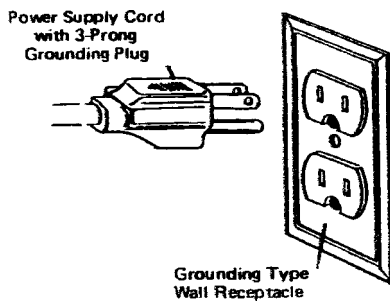


FIGURE 1



The plug shown is for 115V. units. The prongs on your model may be different than the one shown if your unit is other than 115 volts.

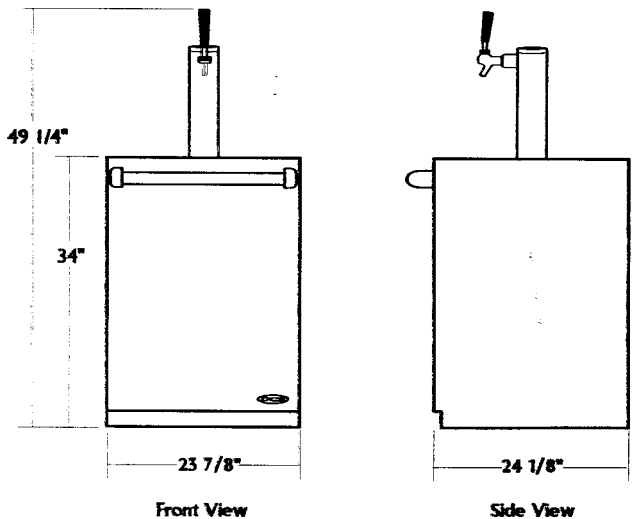
## WARNING!

**Do not splash or spray water from a hose on the refrigerator!**

**Doing so may cause an electrical shock, which may result in severe injury or death.**

**Grounding Method** -- This product is factory equipped with a power supply cord that has a three-pronged grounded plug. It must be plugged into a mating grounding type receptacle in accordance with the National Electrical Code and applicable local codes and ordinances. If the circuit does not have a grounding type receptacle, it is the responsibility and obligation of the customer to exchange the existing receptacle in accordance with the National Electrical Code and applicable local codes and ordinances. The third ground prong should not, under any circumstances, be cut or removed. All U.L. listed refrigerated products are equipped with this type of plug.

A ground fault circuit interrupter electrical receptacle is to be used to supply electrical power to the refrigerator for outdoor applications. Contact an electrician if you need to install one to supply electrical power to your outdoor refrigerator.



## INTERIOR LIGHT . . .

(Optional Feature)

When supplied with an interior light, your refrigerator uses a 15 watt appliance light bulb. To replace the light bulb, proceed as follows:

1. Unplug the power cord from the wall receptacle.
2. Open the cabinet door.
3. Remove the 3 screws on the front face of the light lens using a Phillips screwdriver.
4. Remove the lens.
5. Unscrew the existing bulb and replace with an equivalent 15 watt, threaded, intermediate base appliance bulb. Do not replace with a bulb higher than 15 watts.
6. Reassemble.

To clean the light assembly, disconnect the power cord and wipe the assembly with a mildly damp cloth. Dry the unit completely before connecting the power cord. Make sure you disconnect the refrigerator's power cord plug from the electrical receptacle **BEFORE** you clean the light assembly.

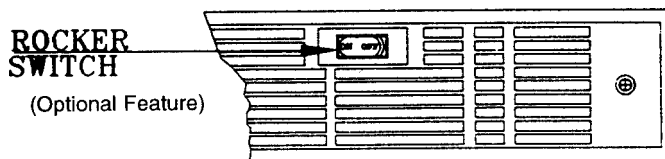


FIGURE 1

### NOTE:

The rocker switch located on the right side of grille controls the interior light and overrides the door plunger switch allowing the light to stay on even with the door closed. To have the interior light go out after the door is shut, make sure the rocker switch is pushed in to the "off" position.

## THINGS TO REMEMBER . . .

1. Allow 24 hours for your refrigerator to reach a new temperature setting.
2. The motor will start and stop often. It must do this to maintain the temperature you select.
3. Keep your refrigerator reasonably level.
4. Unplug the refrigerator before working on anything with the electrical system.
5. Exercise caution when sweeping, vacuuming, or mopping near the front of the unit. Damage to the grille and/or the light fixture switch can occur.
6. For all cleaning of the refrigerator, mix 2 tablespoons baking soda with 1 quart warm water or use mild soap. Do not use strong cleaners or scouring powder or pads.
7. Keep your refrigerator out of direct sunlight.
8. Do not splash or spray water on or under the refrigerator.
9. Clean your refrigerator's condenser periodically to maintain proper cooling performance.

## ENERGY SAVING TIPS . . .

### WAYS TO SAVE POWER, SAVE MONEY, AND STILL ENJOY YOUR REFRIGERATOR.

1. Reduce door openings.
2. Close the door as soon as you can.
3. Keep the coils on bottom of the refrigerator clean.
4. Adjust the temperature control to a warmer setting when practical.
5. Don't put hot foods in the refrigerator.
6. Keep unit away from the stove or other heat sources.

## HOW TO CLEAN AND MAINTAIN YOUR CABINET . . .

- **Condenser:** The condenser tubing under the cabinet for forced air units does not require frequent cleaning; however, satisfactory cooling depends on adequate ventilation over the condenser. Be sure that nothing obstructs the air flow openings in the lower front of the cabinet. At least once or twice a year brush or vacuum lint and dirt from the condenser for efficient performance by unscrewing the grille on the bottom front of the cabinet.
- **Cabinet:** The painted cabinet can be washed with mild soap and water and thoroughly rinsed with clear water. Never use abrasive scouring powders.
- **Interior and Door Gasket:** Wash interior compartment with mild soap and water. Mix 2 tablespoons of baking soda with one quart of warm water. Do not use an abrasive powder, solvent, polish cleaner or undiluted detergent.

## BEFORE CALLING FOR SERVICE . . .

Check the following Trouble Shooting Table.

<u>Problem</u>	<u>Possible Cause/Solutions</u>
Odor in cabinet	<ul style="list-style-type: none"> <li>• Interior needs cleaning</li> </ul>
Noisy operation	<ul style="list-style-type: none"> <li>• Cabinet not level</li> </ul>
Cabinet vibrates	<ul style="list-style-type: none"> <li>• Cabinet not level</li> </ul>
Cabinet light not working (Optional Feature)	<ul style="list-style-type: none"> <li>• Bulb burned out</li> <li>• No power at outlet</li> </ul>
Appliance will not run	<ul style="list-style-type: none"> <li>• Temperature control turned to "OFF"</li> <li>• Line cord not plugged in</li> <li>• No power at electrical outlet</li> </ul>
Appliance runs too long	<ul style="list-style-type: none"> <li>• House fuse blown</li> <li>• Prolonged door openings</li> <li>• Control set too cold</li> <li>• Condenser needs cleaning</li> </ul>
Moisture collects inside	<ul style="list-style-type: none"> <li>• Too many door openings</li> <li>• Prolonged door openings</li> <li>• Hot, humid weather increases condensation</li> </ul>
Moisture collects on outside surface	<ul style="list-style-type: none"> <li>• Hot, humid weather increases condensation. As humidity decreases, moisture will disappear.</li> <li>• Control improperly set</li> <li>• Control improperly set</li> <li>• Faulty thermometer</li> </ul>
Interior too hot/ too cold	<ul style="list-style-type: none"> <li>• Control improperly set</li> <li>• Control improperly set</li> <li>• Faulty thermometer</li> </ul>

## HOW TO OBTAIN SERVICE . . .

Your refrigerator/freezer requires little service because the best and most up-to-date materials, equipment and quality control methods are employed throughout the manufacturing process.

If trouble occurs during normal operation, first check the problems in the trouble shooting guide to see if any of these simple steps may correct the problem. If service becomes necessary, refer to the warranty enclosed with the owner's guide for instructions.

**IT IS IMPORTANT THAT YOU SEND IN YOUR WARRANTY RECORD CARD IMMEDIATELY AFTER TAKING DELIVERY OF YOUR REFRIGERATION APPLIANCE.**

Every new refrigeration appliance that leaves the factory contains this Owner's Guide. Keep this Owner's Guide in a safe place for convenient reference.

In the event that you need service, be sure to report the model number, serial number and proof of purchase. Refer to warranty for instructions. Model number and serial number are found on the serial plate which is located on the lower front cabinet flange. For your convenience you may want to record the following information for your records.

### **DYNAMIC COOKING SYSTEMS PARTS & SERVICE DEPARTMENT: (888) 281-5698.**

Date of Purchase \_\_\_\_\_

Dealer's Name \_\_\_\_\_

Dealer's Address \_\_\_\_\_

Dealer's City \_\_\_\_\_

Dealer's State \_\_\_\_\_ Zip \_\_\_\_\_

Appliance Serial No. \_\_\_\_\_

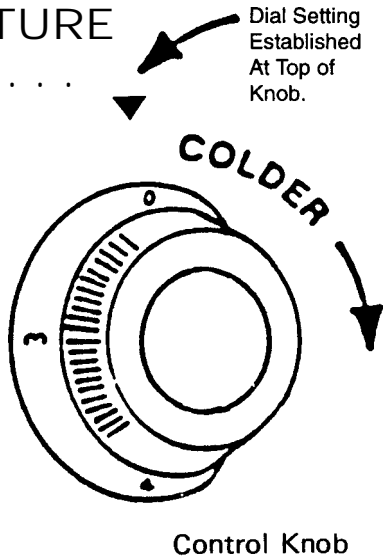
Model No. \_\_\_\_\_

Date Warranty Card Sent \_\_\_\_\_

(Within 10 days of purchase)

## TEMPERATURE CONTROL . . .

Initially set the cold control knob midway between the numbers. After at least 2 hours, adjust to the temperature that suits you. The higher the number you select, the cooler the temperature.



The temperature control knob is located at the bottom, front of the cabinet, just behind the square opening near the middle of the grille.

## HELP PREVENT TRAGEDIES . . .

Each year children die because they climb inside a discarded refrigeration product, get trapped inside and suffocate. Take precautions to prevent such tragedies by removing the door, taping or chaining it shut before discarding.

## DEFROSTING INSTRUCTIONS . . .

Never use a scraper or any tool that might scratch or pierce the cooling plate. Follow these steps whenever 1/4 inch or more of frost accumulates:

1. Disconnect the power cord and set the cold control knob to "OFF" position.
2. Remove contents.
3. Place pans of hot water on the cooling plate if you wish to speed up defrosting.
4. Wipe out the interior and replace contents.
5. Connect power cord to outlet.
6. Set temperature control to desired level.

## ALL REFRIGERATOR MODELS . . .

ALL REFRIGERATOR MODELS AUTOMATICALLY DEFROST THEIR COOLING PLATE DURING EACH COMPRESSOR OFF CYCLE. NO MANUAL DEFROSTING IS REQUIRED.

# DCS LIMITED WARRANTY

This limited warranty is given by DCS to the original purchaser of the refrigeration equipment supplied by DCS as long as the equipment remains in the possession of the original purchaser.

## FIRST YEAR LIMITED WARRANTY

Your DCS refrigerated equipment is warranted against defects in workmanship or material for a period of one year from date of purchase under the following date.

1. Registration card must be completed and mailed back to DCS within 10 days from purchase date.
2. Defects must be proven to the satisfaction of DCS to have been caused by defects in workmanship or material. DCS may request that defective parts be returned for inspection at the owner's expense.

3. The owner is responsible for the following:

- a. All freight charges
- b. Damage sustained in transit
- c. Mileage charges for service calls
- d. Proper installation
- e. Alterations to original equipment
- f. Removal or installation

4. During the First Year Limited Warranty, labor and parts for the repairs will be provided by DCS at the customer's location.

## ADDITIONAL SECOND THROUGH FIFTH YEAR LIMITED WARRANTY.

During the four years following the First Year Limited Warranty, DCS will supply replacement parts for the sealed refrigeration system that are proven to DCS's satisfaction to be defective due to workmanship or materials. Other parts, labor costs and freight charges are the responsibility of the owner.

Sealed refrigeration system parts are: compressor, evaporator, condenser, drier and connecting tubing.

In-warranty repair must be performed by factory authorized service centers.

For authority to proceed with repairs contact:

Dynamic Cooking Systems, Inc.  
5800 Skylab Road  
Huntington Beach, CA 92647  
1-800-433-8466

**IN NO EVENT SHALL DCS BE LIABLE FOR INCIDENTAL OR CONSEQUENTIAL DAMAGES INCLUDING, BUT NOT LIMITED TO, CONTENT LOSS.**

Some states do not allow limitations on length of time implied warranty may last, so the above limitations may not apply to you.

## ADDITIONAL RIGHTS

This warranty gives you specific legal rights. You may also have other rights which vary from state to state.

