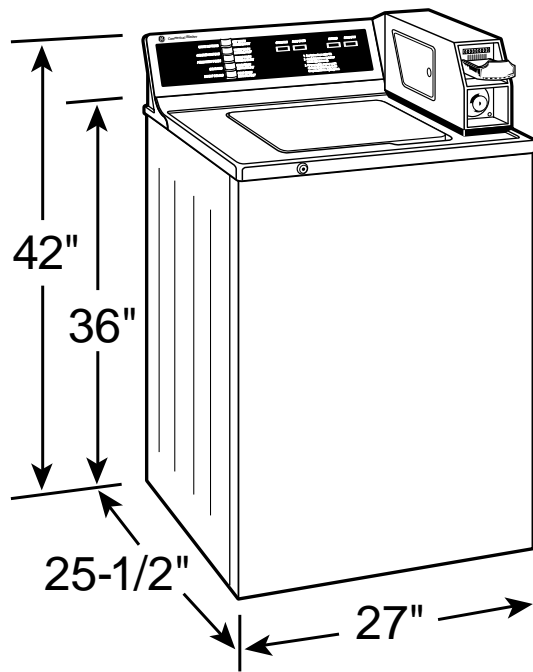




GE Appliances

WCCB1030YWC - GE Extra-Large 2.7 Cu. Ft. Coin-Operated Washer

Washer Dimensions (in inches)



Low Water Consumption

Cycle Selection	Water Temperature		Total
	Hot	Cold	
Standard Hot Wash	15.5	16.5	32 gallons
Standard Warm Wash	6.1	25.9	32 gallons
Economy Hot Wash	14.4	14.6	29 gallons
Economy Warm Wash	5.6	23.4	29 gallons

Water usage values are determined using a standard AHAM 14 lb. load—water usage may be slightly higher or lower.

Energy Saving

All wash cycles include energy-saving cold water rinse. Connector in backsplash can be joined for warm rinse.

Total cycle time—29 minutes plus fill time. Actual wash time is 11 minutes with a final spin speed of approximately 630 RPM. The washer will automatically turn itself off upon the completion of the cycle.

Electrical Requirement: 120 Volts, 60 Hertz, An individual, properly grounded 15- or 20-amp branch circuit is required.

Note: Coin slide or coin drop, coin vault, and locks for cover and meter case access door are not provided with washer.

For answers to your Monogram®, GE Profile Performance Series™, GE Profile™ or GE appliance questions, call GE Answer Center® service, 800.626.2000.



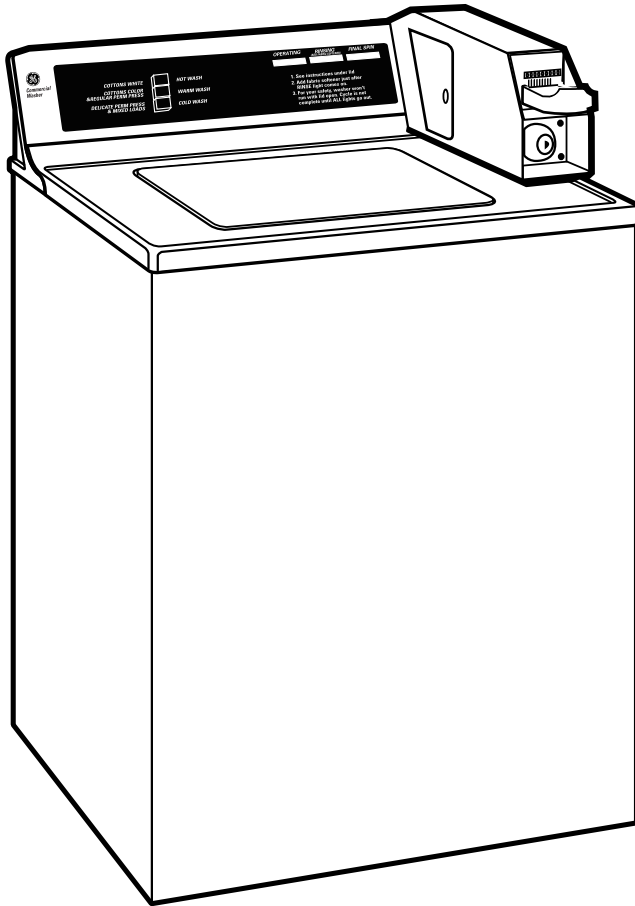
Listed by Underwriters Laboratories





GE Appliances

WCCB1030YWC - GE Extra-Large 2.7 Cu. Ft. Coin-Operated Washer



Features and Benefits

- Extra-Large 2.7 cu. ft. Capacity
- Pushbutton Controls
- 1 Wash/Spin Speed Combinations
- 3 Wash/Rinse Temperatures
- 3 Wash Cycles:
 - Regular Cotton Whites; Permanent Press; Delicates
- 3 Adjustable Water Levels
- GentlePower™ Agitator
- Self-Cleaning Filter
- PermaTuf II™ Snow-White Basket
- 100% Front Serviceable
- Auto Balance Suspension System
- Model WCCB1030YWC - White
- Model WCCB1030YAC - Almond