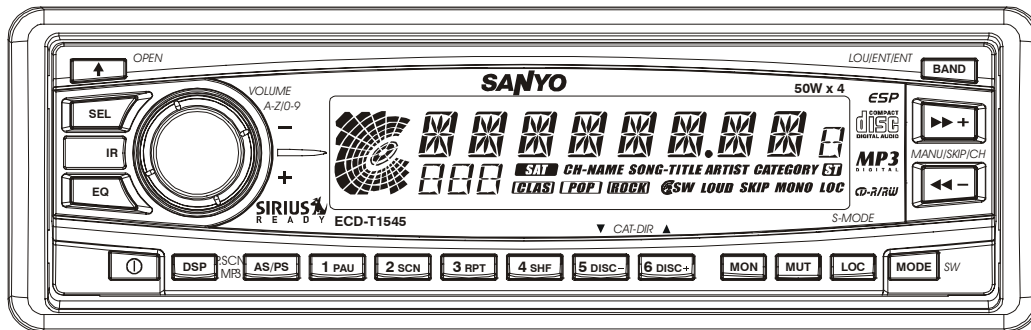


SANYO

**COMPACT
disc
DIGITAL AUDIO**

ECD-T1545



- Fold Down Panel Detachable**
- High Power FM/AM Stereo Receiver**
- Compact Disc Player/MP3 Player/With ESP**
- ISO Mounting with Removable Trim Ring**
- Sirius Function (see separate booklet on Sirius Radio operation)**
- Remote Control**
- CD-R/RW Compatibility**

(English)

OPERATING INSTRUCTIONS..... 2~28

CONTENTS

COMPACT DISC CARE	3
DIGITAL DISPLAY	4
DETACHABLE FRONT PANEL	5
GENERAL OPERATION	6
RADIO OPERATION	8
CD OPERATION	10
CDC OPERATION	12
MP3 OPERATION	14
MIXED-CD OPERATION	17
AUX MODE OPERATION	18
REMOTE CONTROL	19
ERROR SIGNS	20
HINTS FOR PROPER AND SAFE OPERATION	21
TROUBLE SHOOTING	22
ACCESSORIES AND HARDWARE	23
INSTALLATION	23
UNIT REMOVAL	24
ELECTRICAL CONNECTIONS	25
LINE OUT CONNECTIONS	27
AUXILIARY INPUT CONNECTIONS	27

CAUTION

- This unit is designed to operate on 12 volts DC, NEGATIVE ground electrical systems only.
- When fuse replacement is necessary, use only a 15 amp fuse. Do not replace with a higher rated fuse. If the fuse blows often, carefully check all electrical connections for any short circuits and have your car's voltage regulator checked also.
- Do not install the unit where it will be exposed to direct sunlight or hot air discharged from the car heater.
- Do not expose the unit to water or moisture.
- To avoid damaging the unit, never insert anything other than a compact disc into the disc slot.
- This unit should not be adjusted or repaired by anyone except qualified service personnel. If servicing is required, return the unit to an authorized SANYO mobile audio dealer.
- Use the Controls or adjustments or performance of procedures other than those specified herein may result in hazardous radiation exposure.
- Changes or modifications not expressly approved by SANYO may void the user's authority to operate this equipment.

COMPACT DISC CARE

Dirt, dust, scratches and warpage can cause a deterioration in the sound or intermittent skipping some tracks during play.



- To prevent warping the disc, do not expose it to direct sunlight, high humidity or high temperatures for extended



Benzene Thinner Cleaning spray



- Never use chemicals such as record cleaning sprays, antistatic sprays or fluids, benzene or thinner to clean compact discs. These chemicals will permanently damage the plastic surface of the disc.
- When not using the disc player for extended periods of time, remove the compact disc and return it to the plastic storage case. This will protect the disc from dust and exposure to the sun.

Recommended CD-R/RW Media

Data may not be properly written to CD-R/RW media depending on the quality of the media. If this happens, the data may not be reproduced correctly. We recommend the following manufacturers to insure proper quality of the media.

CD-R Media

TDK USA Corp., Taiyo Yuden (U.S.A.), Inc., Ricoh Corporation, Eastman Kodak Company, Maxell Corporation of America, Mitsubishi Chemical Corporation, Fuji Photo Film U.S.A., Inc., Mitsui Chemicals, Inc., Sony Corporation of America, Philips Electronics North America Corporation, Imation Corp.

CD-RW Media

TDK USA Corp., Ricoh Corporation, Mitsubishi Chemical Corporation.

Additionally, CD-R media compatible with various speeds such as 2X and 1X-4X are available. Please refer to the instruction manuals of the drive and the recording software you are using to selection of the correct media.

DIGITAL DISPLAY

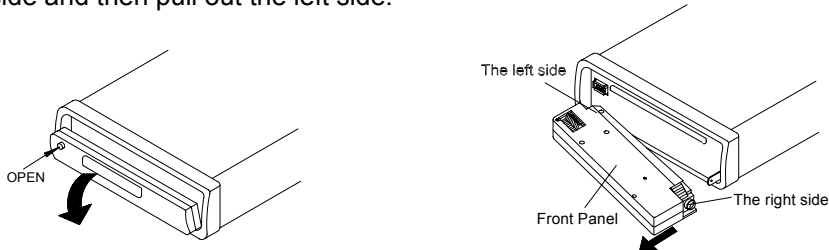


DETACHABLE FRONT PANEL

The front panel is designed to be removable for antitheft purposes. It is recommended that you remove and carry the front panel with you when you leave your car.

HOW TO DETACH THE FRONT PANEL

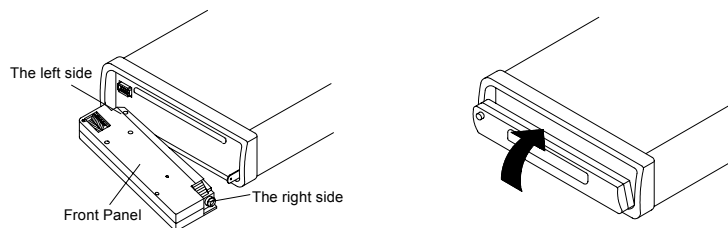
Press the release button (**OPEN**) to fold down the front panel. To remove the front panel, lift it up at a little angle from horizontal position, then first pull out the right side and then pull out the left side.



HOW TO ATTACH THE FRONT PANEL

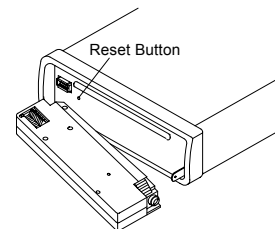
To install the front panel, first insert the left side into proper position then insert the right side into place.

When the two sides are fixed into place, push the front panel into main unit.



RETURNING TO THE INITIAL SETTINGS

When the front panel is detached, you can find the **RESET** button on the front side of the unit. Press the button, the Microcomputer of the unit returns to the initial settings. If the display window is not properly shown or the unit malfunctions, press the **RESET** button.



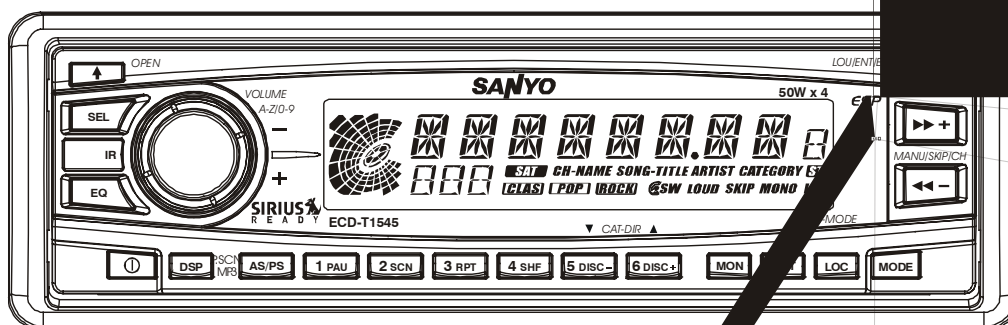
Note

The unit will not operate if panel is installed incorrectly.

⚠ CAUTION

- Do not attempt to remove the panel in a manner other than that described above.
- When installing the panel, do not force it into the unit.
- Do not touch the connection terminals of the panel or the unit. It may cause poor contact.
- Use a clean, dry cloth when cleaning the terminals.
- Keep the panel out of direct sunlight and high temperatures.
- Prevent the panel from coming into contact with benzene, thinner, or insecticides.
- Do not drop the panel.

GENERAL OPERATION



e.g.

When preset button is pressed.

When **BAND/LOU/ENT** button is pressed.

When **AS/PS/P.SCAN/MP3** button is pressed.

- BEEP ALL mode:
The beep is generated when every button is pressed.
- BEEP OFF mode:
The beep is disabled.

MODE SELECTION.....(4)

Press **MODE/SW** button (4) to choose desired listening mode. (e.g. radio mode to SIRIUS mode to CD (MP3) mode to CDC (or AUX) mode)

SUBWOOFER FUNCTION.....(4)

Press **MODE/SW** button (4) for several seconds to toggle sub-woofer output. Press it for several seconds again to release this mode.

DISPLAY INFORMATION.....(5)

When pressed quickly, the **DSP** button (5) changes the display as follows.

- In AM/FM mode:
-> Frequency ->CLOCK ->
- In Sirius mode:
-> Channel Name -> Category Name -> Artist Name -> Song Title -> CLOCK ->
- In CD mode:
-> CD ->CLOCK ->
- In CDC (or AUX) mode:
-> CDC (or AUX) ->CLOCK ->

Each display time is 5 seconds, the display will return to the first position after 5 seconds.

SET THE CLOCK.....(5),(8),(9)

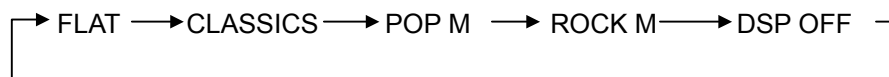
Press the **DSP** button (5) to show the clock on the LCD display. Then hold the button until the clock flashes. During this mode, press the **MANU/SKIP/CH** **▶▶+** button (8) to change hours or **MANU/SKIP/CH** **◀◀-** button (9) to change minutes.

LOUDNESS EFFECT.....(6)

Press **BAND/LOU/ENT** button (6) for several seconds to reinforce the bass output. Press it for several seconds again to release this function.

EQUALIZATION.....(7)

Press **EQ** button (7) to turn on equalization function and to select desired audio mode. There are five kinds of modes as below:



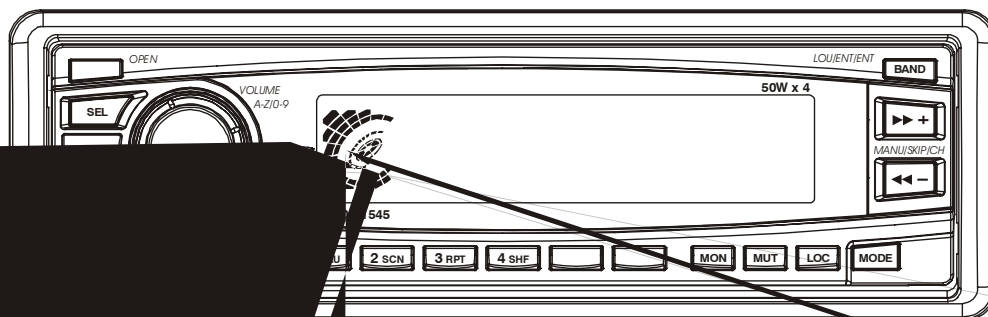
MUTE FUNCTION.....(10)

Press **MUT** button (10) to mute down the sound instantly. If any button is pressed in the mute state, the mute state is released.

ESP FUNCTION

The unit has the electronic shockproof function. It can be shockproof for more than 20 seconds.

RADIO OPERATION



LOCAL/DISTANT SELECTION(6)

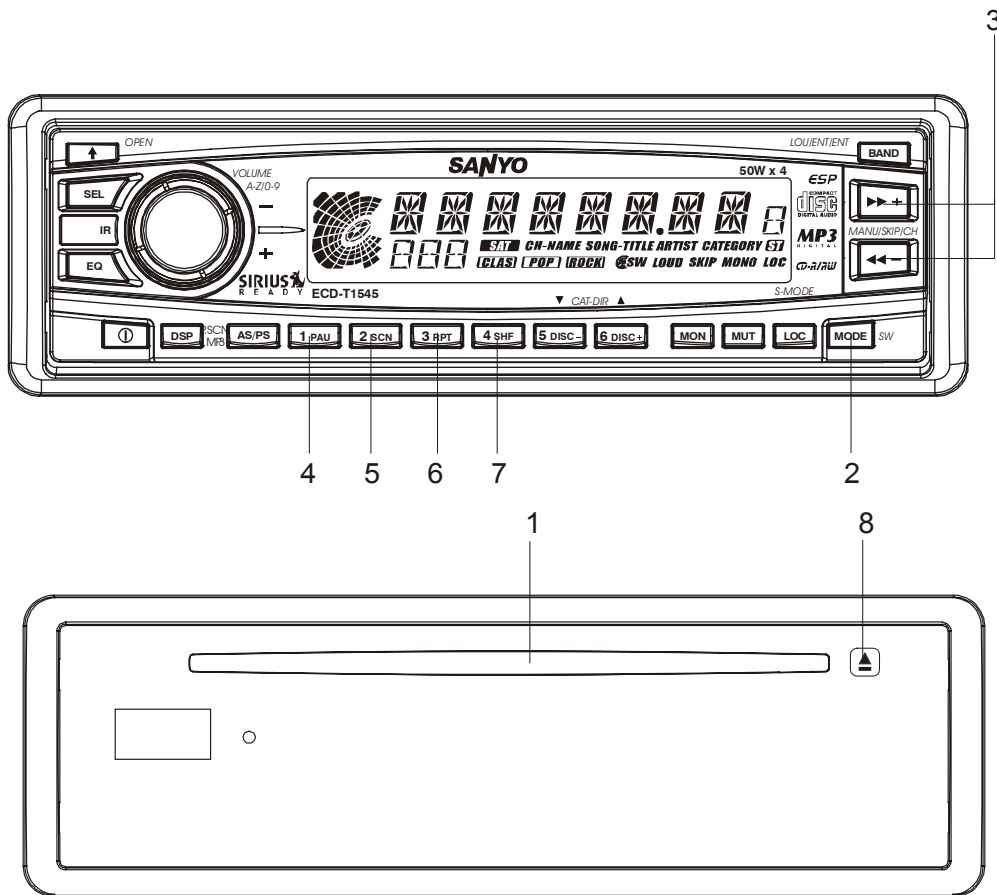
Press **LOC/S-MODE** button (6) to set local or distant stations.

Use local position (LOC appears on the display) for reception of strong station, and distant position (DX appears on the display) for reception of weaker stations. This function is effective during AUTO SEEK operation.

MONO/STEREO.....(7)

Press **MON** button (7) to select mono or stereo mode. You can sometimes improve reception of distant stations by selecting mono operation.

CD OPERATION



LOADING AND EJECTING THE CD.....(1),(8)

Press **OPEN** button to fold down the front panel, then insert a disc into the CD slot (1) and the CD player will start.

Press the eject button (8) to eject a disc.

SWITCHING TO CD MODE.....(2)

Press the **MODE/SW** button (2) with the power on to switch from radio mode or Sirius mode or CDC (or AUX) mode to CD mode.

When the entire disc has played, the unit returns to the first track and play resumes.

SKIPPING TRACKS(3)

Press the **MANU/SKIP/CH** **▶▶+** button to skip to the beginning of the next track.

Press the **MANU/SKIP/CH** **◀◀-** button to skip to the beginning of the previous track.

Press and hold the **MANU/SKIP/CH** **▶▶+** or **MANU/SKIP/CH** **◀◀-** button (3) for several seconds to search quickly (with sound) in the forward or reverse direction.

When the button is released, the CD resumes normal play.

Notes:


- Some CD-Rs/CD-RWs (depending on the equipment used for its recording or the condition of the disc) may not play on this unit.
- You cannot play CD-R/CD-RW that is not finalized. (A finalize process necessary for a recorded CD-R disc to be played on the audio CD player.)

PLACING THE CD IN PAUSE MODE (4)

While playing a CD, press the **PAU** button (4).

To resume playing, press the **PAU** button (4) again.

Notes

- *During playback of a CD, the CD running indicator  spins.*
- *The unit will turn-on automatically when a CD is inserted if the ignition switch is "ON".*

SCAN MODE (PLAYING THE BEGINNING OF EACH TRACK) (5)

This function plays the first several seconds of each track sequentially.

Press the **SCN** button (5) to begin the scan mode.

To cancel this mode, press the **SCN** button (5) again.

REPEAT MODE (6)

Press the **RPT** button (6) to play the current track repeatedly.

To cancel this mode, press the **RPT** button (6) again.

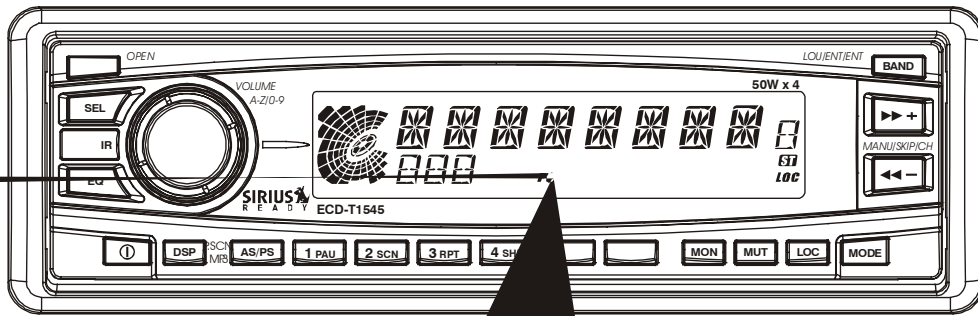
SHUFFLE MODE..... (7)

This function plays the tracks on a CD in random order.

Press the **SHF** button (7) to begin shuffle play.

To cancel this mode, press the **SHF** button (7) again.

CD CHANGER OPERATION



SHUFFLE MODE..... (6)

This function plays the tracks on one CD or all CDs in the magazine in random order.

- “Shuffle-playing” tracks

Press the **SHF** button (6) to play the current disc in random order.

- “Shuffle-playing” discs

Press and hold the **SHF** button (6) for several seconds. The system selects a disc at random and plays all tracks on that disc. When all tracks have been played, the next disc is selected and “Shuffle-playing” is repeated.

To cancel the track shuffle or disc shuffle mode, press the **SHF** button (6) again.

SELECTING A DISC..... (7),(8)

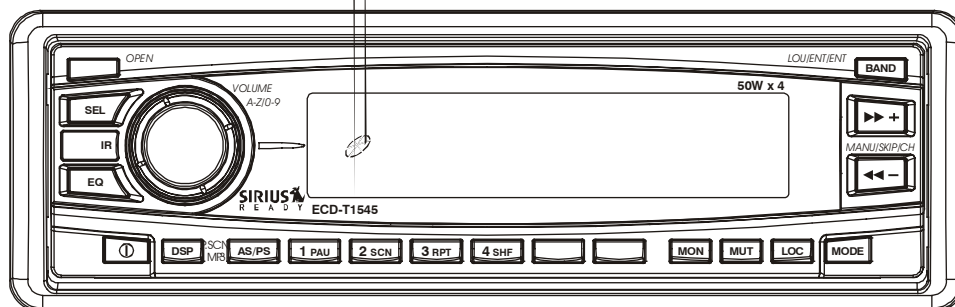
Press the **CD-** button (7) to select the preceding disc.

Press the **CD+** button (8) to select the next disc.

Note

- *Use with only SANYO CD Changer.*

MP3 OPERATION



- **SEARCHING TRACK DIRECTLY.....(3),(4),(5)**
 Press the **AS/PS/MP3** button (3) one time to enter into “Searching track directly” mode.
 Set desired track by rotating **VOLUME A-Z/0-9** dial (4), and then press **BAND/LOU/ENT** button (5) shortly.

Note:

The unit searches the track after few seconds, even if the **BAND/LOU/ENT** button (5) is not pressed.

- **SEARCHING DIRECTORY OR FILE NAME.....(3),(4),(5),(15)**
 Press the **AS/PS/MP3** button (3) two times. It enters into “Searching Directory or File Name” mode. The unit searches files and directories by name which is entered by the user with the **VOLUME A-Z /0-9** dial (4).

- Use rotary encoder **VOLUME A-Z/0-9** dial (4) to select the characters A to Z, blank, 0 to 9, $_$, -, +.
- Press **SEL** button (15) to confirm entry of each characters.
- Press **BAND/LOU/ENT** button (5) to start the title search.

In case the selected title is a directory name, display will show (‘ ’), then

- Use rotary encoder **VOLUME A-Z/0-9** dial (4) to list all songs under this directory and select the title.
- Press **BAND/LOU/ENT** button (5) to confirm and start the play.
- Repeat the above steps if the newly selected title is again a directory.

- **SEARCHING FROM ROOT DIRECTORY.....(3),(4),(5)**

Press the **AS/PS/MP3** button (3) three times, the unit searches file or directory from root directory by **VOLUME A-Z/0-9** dial (4). (D-DIR icon turns on if the name is a directory). Display will list all available directories and songs. Select the desired directory/songs by using rotary encoder **VOLUME A-Z/0-9** dial (4) and **BAND/LOU/ENT** button (5) to confirm.

If the selected title is a song, it starts to play.

If the selected title is a directory name, display will show (‘ ’), then

- Use rotary encoder **VOLUME A-Z/0-9** dial (4) to list all songs under this directory and select the title.
- Press **BAND/LOU/ENT** button (5) to confirm and start the play.
- Repeat the above steps if the newly selected title is again a directory.

- **SEARCHING FROM CURRENT DIRECTORY.....(3),(4),(5)**

Press the **AS/PS/MP3** button (3) four times, the unit searches file or directory from current directory by **VOLUME A-Z/0-9** dial (4). (D-DIR icon turns on if the name is directory). The current directory name is displayed for a second and the currently playing file name is displayed. The user can select the directory or file in the directory by **VOLUME A-Z/0-9** dial (4). The selected file can be played by pressing **BAND/LOU/ENT** button (5).

Note:

“MP3” icon turns on when MP3 disc is played and blinks when it is in search mode.

PAUSE.....(11)

Press **PAU** button (11) to pause MP3 player. Press it again to resume play.

REPEAT THE SAME SONG.....(13)

Press **RPT** button (13) to continuously repeat the same song. Press again to cancel repeat function.

SCAN.....(12)

The scan function enables you to listen to the first few seconds of the song. Press **SCN** button (12) to activate/deactivate scan function.

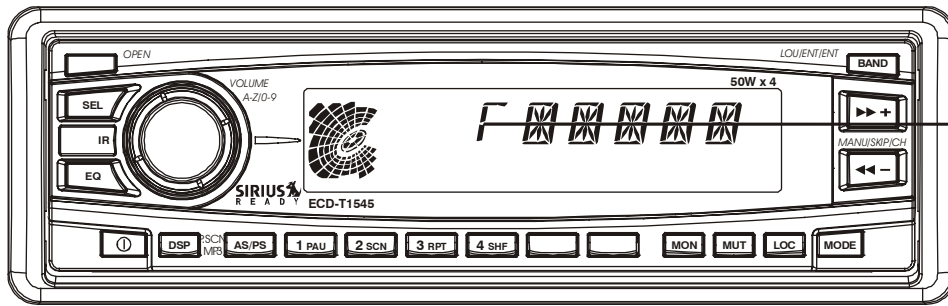
PLAY SONGS IN RANDOM ORDER.....(14)

During MP3 operation, press **SHF** button (14) to play songs in random order. Press again to cancel the function.

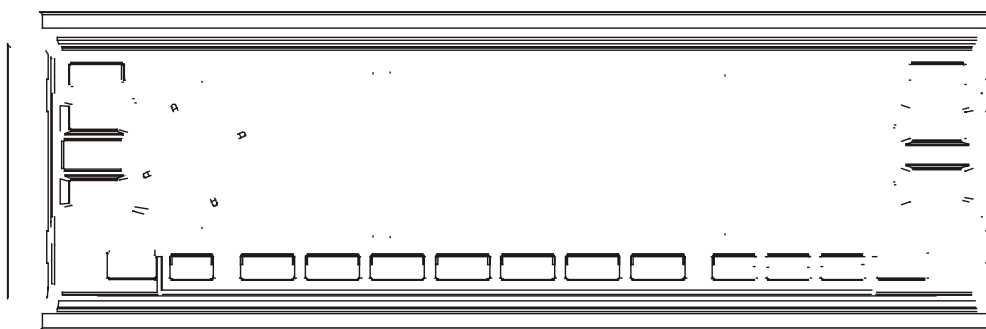
DISPLAY INFORMATION.....(9)

Press **DSP** button (9) to show the following information, such as the clock, the ID3 TAG (if available: song title, directory name, artist name, other contents...) and other information.

MIXED-CD OPERATION



AUX MODE OPERATION



ERROR SIGNS

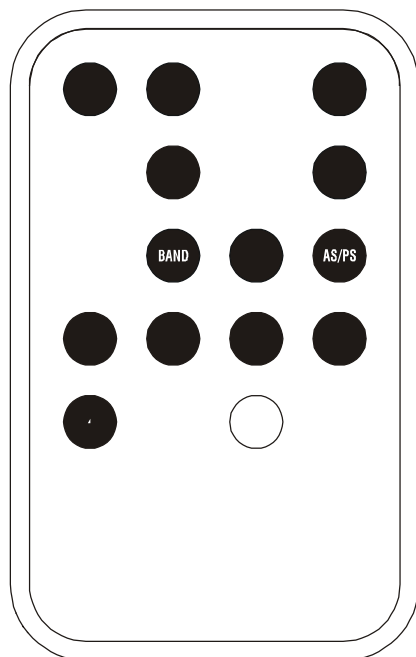
If a problem should occur while operating the CD player, one of the following error signs may be displayed. Refer to the table below to identify the problem.

DISPLAY	DESCRIPTION
ERROR 1	MECHANISM ERROR
ERROR 2	SERVO ERROR

If a problem should occur while operating the CD CHANGER player, one of the following error signs may be displayed. Refer to the table below to identify the problem.

DISPLAY	DESCRIPTION
ERROR 1	MAGAZINE or MECHANISM ERROR
ERROR 2	EJECT ERROR
ERROR 3	LOADING ERROR
ERROR 4	UNLOADING ERROR
ERROR 5	ELEVATOR ERROR
ERROR 6	SLED or SLED SWITCH ERROR
ERROR 7	FOCUSING or DISC DATA READ ERROR
ERROR 8	CLV or DATA READ ERROR
ERROR 9	TOC READ ERROR
ERROR 10	THERMAL ERROR

REMOTE CONTROL



HINTS FOR PROPER AND SAFE OPERATION

- **Condensation**

Moisture can condense on the optical lens of the CD player during humid or rainy days, or after the car heater is turned on. If this occurs the disc player may not function properly. To remedy the situation, remove the disc from the unit and wait approximately one hour. This should allow the moisture to evaporate and restore normal operation.

- **Temperature Consideration**

The unit may not operate correctly in extremely hot or cold temperatures. Avoid exposing the unit to extremely high or low temperatures.

- **Interruptions in the sound (skipping)**

When the car is driven on very rough surfaces, the sound from the CD player may skip and be interrupted. This will not cause any damage to the disc or the player. If this occurs, wait for the road surface to improve before using the CD player.

- **Safety**

For safer driving, keep the volume at a moderate level to enable you to hear outside sounds (such as emergency vehicle sirens).

- **Cleaning the unit**

Clean the unit with a soft, dry cloth. Stains should be removed by wiping the surfaces with a soft cloth immersed in lukewarm water and wrung dry. Never use strong chemicals or solvents. These will damage the finish of the unit.

- **Disc care**

When not using the disc player for extended periods, remove the compact disc and return it to the plastic storage case. Do not leave a disc partially ejected from the player. If an ejected disc remains in the loading slot for approximately 10 seconds, the player will reload the disc to prevent damage.

- **Servicing**

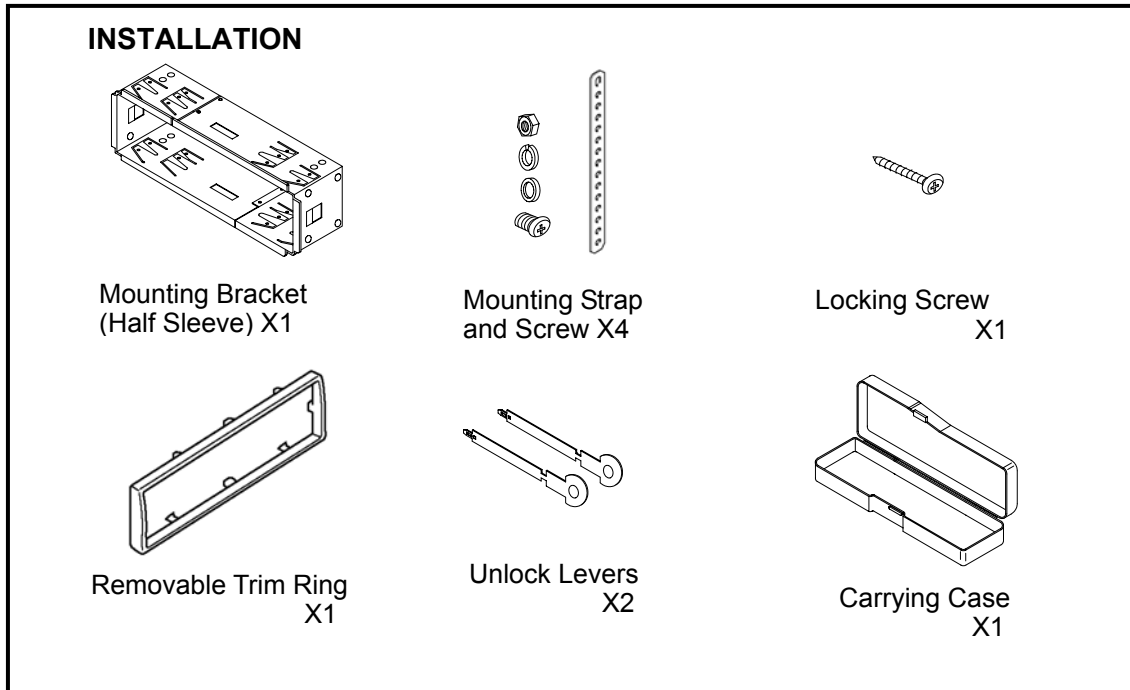
Should a problem develop, do not open the unit or try to repair it yourself. If servicing is required, bring the unit to a Sanyo Authorized Service Center.

TROUBLE SHOOTING

Sometimes a simple operational error or a mistake in the wiring can appear to be a problem with the unit. Before having the unit serviced, refer to the troubleshooting chart below.

Symptom	Cause	Solution
The compact disc does not play when inserted into the unit.	The volume control is turned down.	Turn up the volume control.
	The power connections are not wired correctly.	Check the +12V and ground connections.
No power.	The vehicle ignition is switched off.	Switch the ignition to the "ON" or "ACC" position.
	The fuse is blown.	Replace the fuse with another 15A fuse.
The unit does not work properly (Eject, Load, Play)	The microcomputer has been affected by electrical noise.	Press RESET button.
The sound from the CD player skips.	The road surface is rough.	Wait for the road surface to improve before playing a disc.
	The unit is not mounted securely.	Install the unit securely. Be sure to use the rear strap if the vehicle does not provide support for the rear of the unit. (See page 26)
	The disc is defective.	Try another disc. If it plays properly, the first disc may be defective.
	The disc is dirty.	Clean the disc as explained on page 3.
No radio reception.	The antenna cable is not connected.	Insert the antenna cable firmly into the antenna jack on the unit.
The radio does not stop on any stations when automatic tuning is used.	The signals are weak.	Select a station using manual tuning.

ACCESSORIES AND HARDWARE

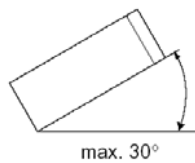


INSTALLATION

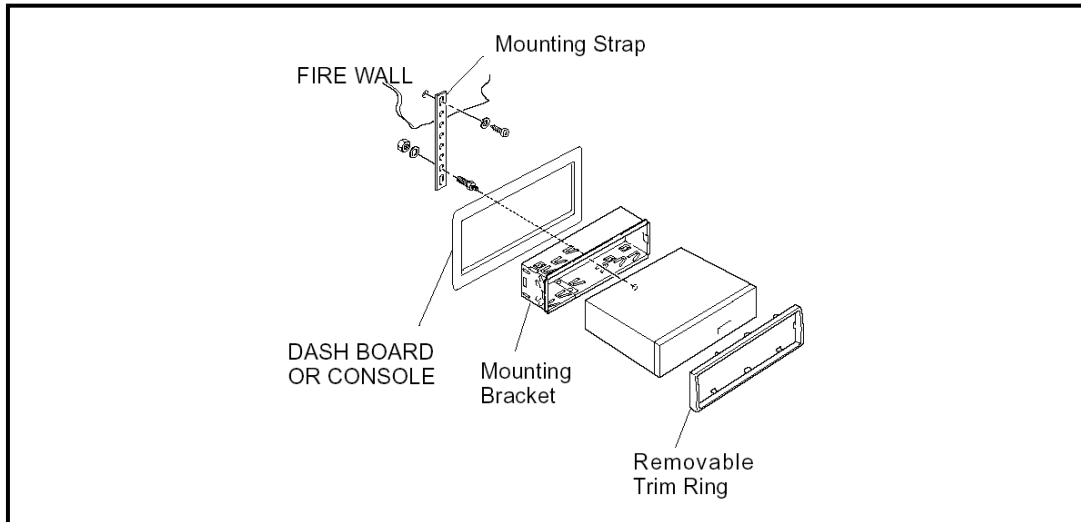
1. BEFORE INSTALLATION

When mounting the unit in a car, keep the unit as level as possible.

If the unit must be mounted at an angle, due to the design of the vehicle, make sure the unit does not tilt by more than 30°.



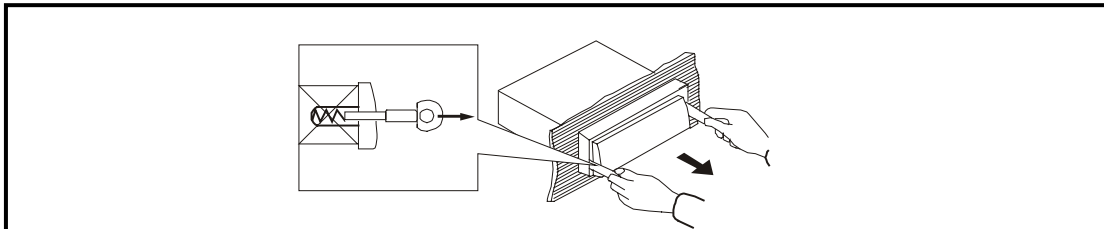
2. INSTALLATION PROCEDURES



When mounting the unit into a DIN-standard cutout (182x53 mm) in the dashboard or console, attach the provided Removable Trim Ring to the unit.

1. Insert the mounting bracket into the DIN-standard cutout (182x53 mm) in the dashboard or console.
2. Bend the mounting bracket stopper outward until the bracket fits snugly in the cutout.
3. Attaching the Mounting Strap to the underside of the dashboard, using screw. Attach the back of the unit to the Mounting Strap using support stem bolt and hardware.

UNIT REMOVAL



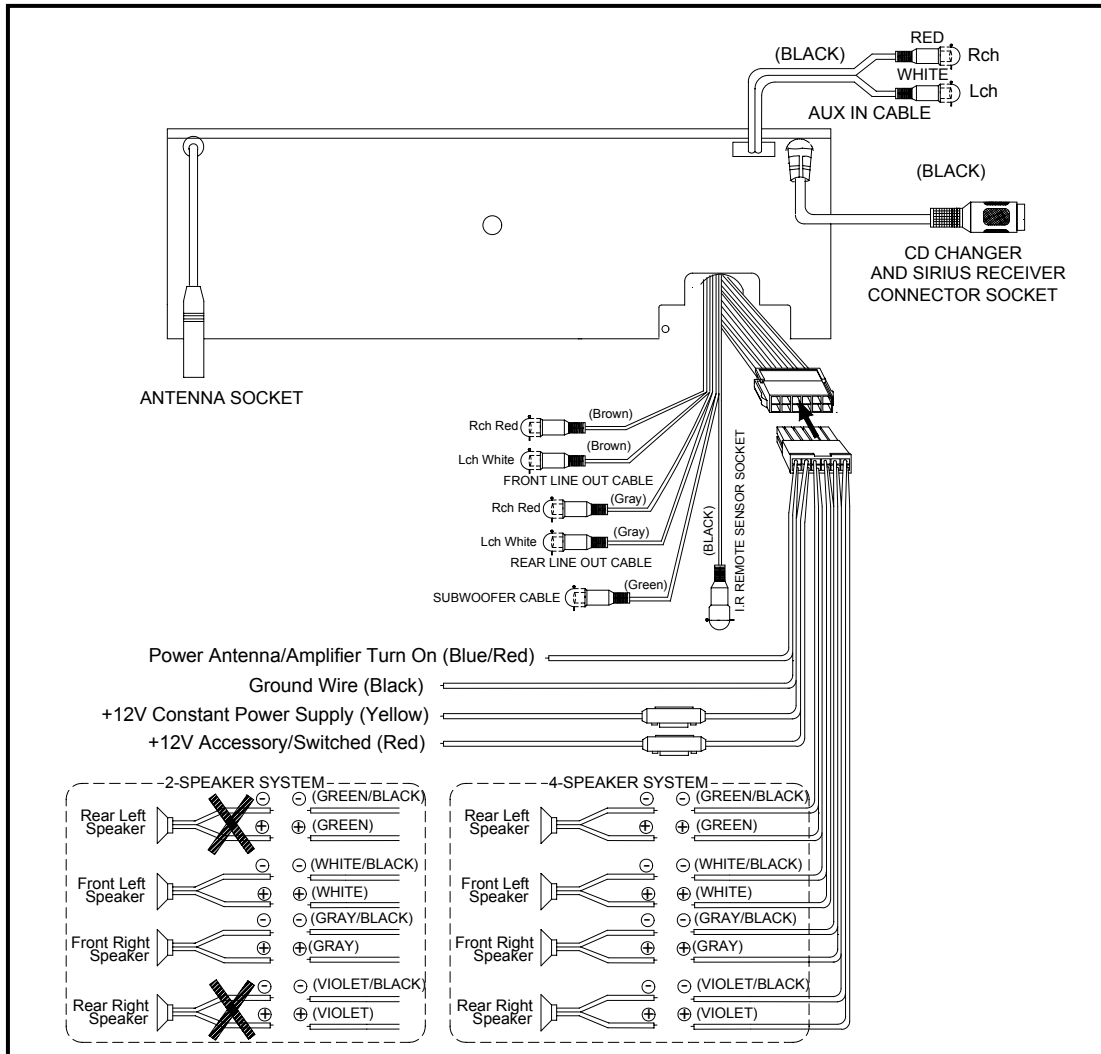
1. Insert the unlock levers into the slots on each side of the unit until they click into place.
2. Pull the levers to remove the unit.

Notes

- Handle the unlock levers carefully to avoid injuring your fingers.
- Keep the unlock levers in a safe place for future use.

ELECTRICAL CONNECTIONS

WIRING



⚠ CAUTION

- **DO NOT** connect any speaker wires to the metal body or chassis of the vehicle.
- **DO NOT** connect the speaker common (-) wires to each other.
- **Connect each speaker wire directly to each speaker terminal.**
- **All speaker common (-) wires must remain floating.**

1. Antenna Socket

- Insert the plug from the antenna installed in your vehicle into this socket. (If your vehicle has a dual antenna system, a dual antenna to single antenna cable adaptor may be required.)

2. + 12V Constant Power Supply (Yellow)

- Connect this wire to the +12V power terminal which receives power continuously.

3. +12V Accessory/Switched (Red)

- Connect this wire to the terminal which receives power while the ignition switch is ON or in the ACCESSORY position.
- If the ignition switch does not have an ACC position, connect this wire to a +12V power terminal which receives power continuously. (Same as item 2.)

4. Ground Wire (Black)

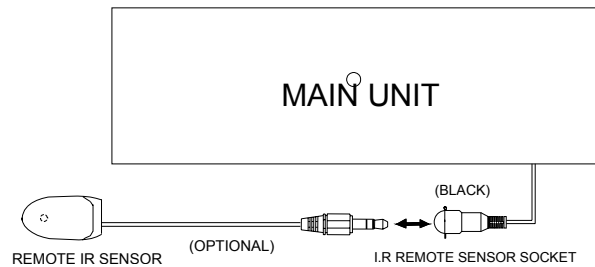
- Connect this wire to the vehicle chassis.

5. Power Antenna/Amplifier Turn On (Blue/Red)

- Connect this wire to the control terminal of a Power Antenna or an external amplifier.
- When not using a Power Antenna or an external amplifier, this wire is not connected.

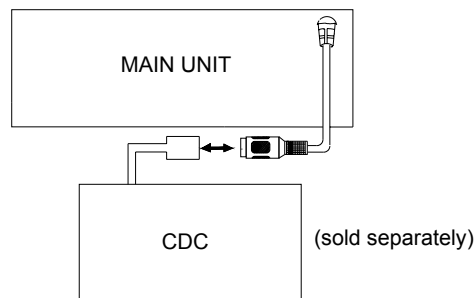
6. I.R Remote Sensor Socket

- Connect a remote IR sensor to I.R remote sensor socket to use with the corresponding remote control and to extend range of remote control.

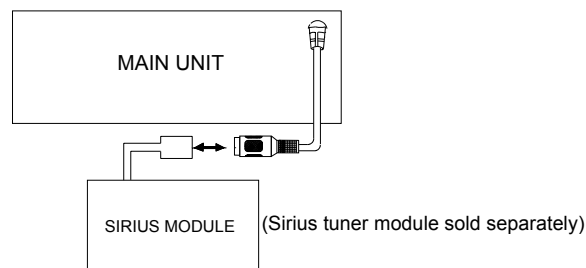


7. CD Changer and Sirius Receiving Connector Socket

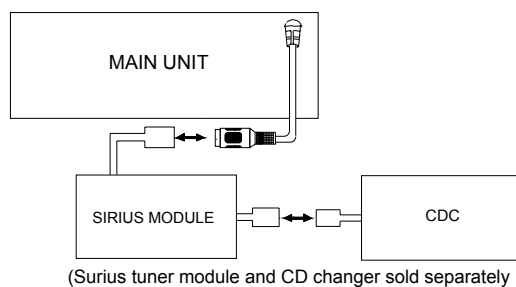
- Connect a CD changer to the CD changer and Sirius Receiving Connector socket



- Connect a Sirius module to the CD changer and Sirius Receiving Connector socket (see separate instruction booklet on Sirius Radio operation)



- Connect a Sirius module and a CD changer to the CD changer and Sirius Receiving Connector socket (see separate instruction booklet on Sirius Radio operation)



LINE OUT CONNECTIONS

- The unit has two pairs of line out terminals (see WIRING figure above). You can use a separate front or a separate rear channel amplifier to upgrade your system.

RCA Line- out Jacks

- Connect a patch cable (not supplied) from the White (left channel) and Red (right channel) RCA line output jacks to the line input terminals of the external amplifier.

AUXILIARY INPUT CONNECTIONS

The unit has a pair of auxiliary input terminals. You can connect a portable audio player through the terminals of the AUX IN cable (see WIRING figure above).

SANYO Electric Co., Ltd.

Printed in China

Issue date 12/26

**SANYO MOBILE AUDIO
MODEL ECD-T1545 LIMITED WARRANTY**

OBLIGATIONS

In order to obtain warranty service, the product must be delivered to and picked up from an Authorized Sanyo Factory Service Center at the user's expense, unless specifically stated otherwise in this warranty. The names and addresses of Authorized Sanyo Service Centers may be obtained by calling the toll-free number listed below.

**For product operation, authorized service center referral, service assistance or problem resolution, call
FACTORY SERVICE 1-800-421-6382
Weekdays 8:00 AM - 5:00 PM Pacific Time**

THIS WARRANTY IS VALID ONLY ON SANYO PRODUCTS PURCHASED AND USED IN THE UNITED STATES OF AMERICA.

THIS WARRANTY APPLIES ONLY TO THE ORIGINAL RETAIL USER, AND DOES NOT APPLY TO PRODUCTS USED FOR ANY INDUSTRIAL, PROFESSIONAL OR COMMERCIAL PURPOSE. THE ORIGINAL DATED BILL OF SALE OR SALES SLIP MUST BE SUBMITTED TO THE AUTHORIZED SANYO SERVICE CENTER AT THE TIME WARRANTY SERVICE IS REQUESTED.

Subject to the OBLIGATIONS above and EXCLUSIONS below, SANYO FISHER COMPANY (SFC) warrants this SANYO product against defects in materials and workmanship for the periods specified below. SFC will repair or replace (at its option) the product and any of its parts which fail to conform to this warranty with new or reconditioned products or parts. The warranty period commences on the date the product was first purchased at retail.

LABOR: 1 YEAR

PARTS: 1 YEAR

EXCLUSIONS

This warranty does not cover (A) the adjustment of customer-operated controls as explained in the appropriate model's instruction manual, or (B) the repair of any product whose serial number has been altered, defaced or removed.

This warranty shall not apply to the cabinet or cosmetic parts, knobs, batteries or routine maintenance.

This warranty does not apply to uncrating, setup, installation, removal of the product for repair or reinstallation of the product after repair.

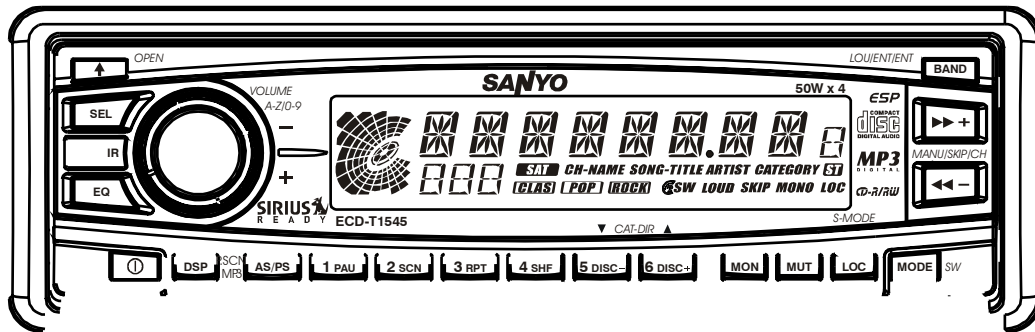
This warranty does not apply to the elimination of car static or motor noise, correction of antenna problems, or damage to compact discs, speakers, accessories or vehicle electrical systems. This warranty does not apply to repairs or replacements necessitated by any cause beyond the control

of SFC including, but not limited to, any malfunction, defect or failure caused by or resulting from unauthorized service or parts, improper maintenance, operation contrary to furnished instructions, shipping or transit accidents, modification or repair by the user, abuse, misuse, neglect, accident, incorrect power line voltage, fire, flood or other Acts of God, or normal wear and tear.

The foregoing is in lieu of all other express warranties and SFC does not assume or authorize any party to assume

SANYO

**COMPACT
disc
DIGITAL AUDIO**

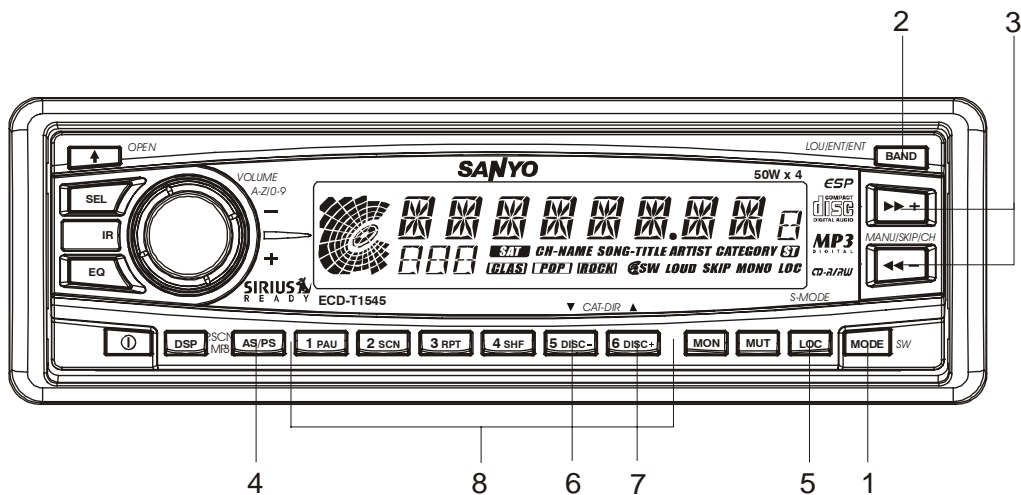


- Fold Down Panel Detachable
- High Power FM/AM Stereo Receiver
- Compact Disc Player/MP3 Player/With ESP
- ISO Mounting with Removable Trim Ring
- Sirius Function
- Remote Control
- CD-R/RW Compatibility

(English)

SIRIUS OPERATION..... 2~3

SIRIUS OPERATION



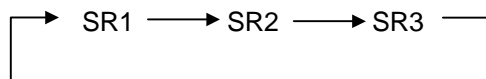
SWITCHING TO SIRIUS MODE.....(1)

Press **MODE** button (1) to select Sirius mode.

SELECTING USER-PRESET CHANNEL.....(2)

At Sirius mode, the Sirius user-preset channel group (3 groups) is toggled cyclically through the group by quickly pressing the **BAND/LOU/ENT** button (2).

The channel will change in the following order:



SELECTING CHANNEL UP/DOWN.....(3)

Press the **MANU/SKIP/CH** **▶▶+** or **◀◀-** button (3) to select the channel up or down.

SEARCHING STATION.....(4)

When the **AS/PS/P.SCAN/MP3** button (4) is pressed, the channel searches for each user preset station from SR1 to SR2 to SR3.

When an available channel is detected, the station will be held at that preset number and play for 5 seconds. After that, it will mute and search for another available station

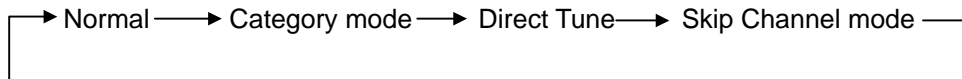
STORING PRESET STATIONS(8)

The preset buttons (8) can be used to store (6) stations for convenient access to your favorite stations.

- Programming stations
 1. Select the desired station you want to store in memory.
 2. Press and hold one of the preset buttons (8) for more than 2 seconds until the corresponding preset button number appears. Repeat steps 1. and 2. to program additional stations.
- Quick tuning Press one of the six preset buttons (8) shortly to select a preset station directly.

SIRIUS MODE SELECTION(5)

Press **LOC/S-MODE** button (5) to switch Category mode, Skip mode or normal. It is used as the selection of each:



When Category mode or Skip mode is engaged, the “CATEGORY” or “SKIP” function is turned on in the display. When Category mode or Skip mode is released, the “CATEGORY” or “SKIP” function is turned off. When Direct mode is engaged, “DIRECT” of alphanumeric display is turned on.

Select Category and TUNE UP/DOWN within selected Category

Use **CAT-DIR ▲** button (7) or **CAT-DIR ▼** button (6) to select desire Category and press **BAND/LOU/ENT** button (2).

In Category mode, stations can be tuned within the same category.

- When the user wishes to search by Category, press **LOC/S-MOD** button (5) can be pressed until it goes into Category search mode.
- Press **CAT-DIR ▲** button (7) or **CAT-DIR ▼** button (6) up and down to get to the desired category.
- To change channels, press **LOC/S-MODE** button (5) again to Normal mode, and then press **MANU/SKIP/CH ▶▶+** or **◀◀-** button (3) to select the channel up or down.

The operation of skip channel function

In Skip mode, pressing **LOC/S-MODE** button (5) for more than 3 seconds sets the SKIP channel mode. Details for set or release skip channel as follows.

Use **MANU/SKIP/CH ▶▶+** or **◀◀-** button (3) to be switched SKIP channel set or release mode sequentially.

- Press **BAND/LOU/ENT** button (2) to select skip or release the following channel. (If the channel was skipped, the “SKIP” icon will be displayed.
- Press **LOC/S-MODE** button (5) for more than 3 seconds again to return to basic mode automatically after 10 seconds.

Note:

In skip mode, use **MANU/SKIP/CH ▶▶+** or **◀◀-** button (3) to show skipped channels.

How to direct tune

1. In direct mode, display shows DIRECT and “000” channel number. (Hundred Digit flashing on/off)
2. Use **MANU/SKIP/CH ▶▶+** or **◀◀-** button (3) to select hundred digit.
3. Press **LOC/S-MOD** button (5) again to confirm entry of the hundred digit and the 10s digit is flashing on/off.
4. Use **MANU/SKIP/CH ▶▶+** or **◀◀-** button (3) to select 10s digit.
5. Press **LOC/S-MODE** button (5) again to confirm entry of the 10s digit and the 1s digit is flashing on/off.
6. Press **LOC/S-MODE** button (5) again to confirm entry of the 1s digit.
7. Press **BAND/LOU/ENT** button (2) to direct tune.



21605 Plummer Street
Chatsworth, CA91311
ECD-T1545. Issue Number 1.

Printed in Hong Kong