

**Instruction Manual
Manuel d'utilisation
Manual de Instrucciones**



MODEL 314

Trim Saw

Scie à Araser

Sierra Recortadora



INSTRUCTIVO DE OPERACIÓN, CENTROS DE SERVICIO Y PÓLIZA DE GARANTÍA.
ADVERTENCIA: LEÁSE ESTE INSTRUCTIVO ANTES DE USAR EL PRODUCTO.

www.deltaportercable.com

Copyright © 2000, 2003, 2004, 2005 2005, 2007 Porter-Cable
Part No. 655974-00 - 12-12-07

DEFINITIONS - SAFETY GUIDELINES

- DANGER:** indicates an imminently hazardous situation which, if not avoided, will result in death or serious injury.
- WARNING:** indicates a potentially hazardous situation which, if not avoided, could result in death or serious injury.
- CAUTION:** indicates a potentially hazardous situation which, if not avoided, may result in minor or moderate injury.
- CAUTION:** used without the safety alert symbol indicates potentially hazardous situation which, if not avoided, may result in property damage.

General Safety Rules

WARNING: Read all instructions. Failure to follow all instructions listed below may result in electric shock, fire and/or serious injury. The term "power tool" in all of the warnings listed below refers to your mains-operated (corded) power tool or battery-operated (cordless) power tool.

SAVE THESE INSTRUCTIONS

- 1) **Work area safety**
 - a) **Keep work area clean and well lit.** Cluttered or dark areas invite accidents.
 - b) **Do not operate power tools in explosive atmospheres, such as in the presence of flammable liquids, gases or dust.** Power tools create sparks which may ignite the dust or fumes.
 - c) **Keep children and bystanders away while operating a power tool.** Distractions can cause you to lose control.
- 2) **Electrical safety**
 - a) **Power tool plugs must match the outlet. Never modify the plug in any way. Do not use any adapter plugs with earthed (grounded) power tools.** Unmodified plugs and matching outlets will reduce risk of electric shock.
 - b) **Avoid body contact with earthed or grounded surfaces such as pipes, radiators, ranges and refrigerators.** There is an increased risk of electric shock if your body is earthed or grounded.
 - c) **Do not expose power tools to rain or wet conditions.** Water entering a power tool will increase the risk of electric shock.
 - d) **Do not abuse the cord. Never use the cord for carrying, pulling or unplugging the power tool. Keep cord away from heat, oil, sharp edges or moving parts.** Damaged or entangled cords increase the risk of electric shock. Use only 3-wire extension cords that have 3-prong grounding-type plugs and 3-pole receptacles that accept the tool's plug.
 - e) **When operating a power tool outdoors, use an extension cord suitable for outdoor use.** If an extension cord is to be used outdoors, it must be marked with the suffix W-A or W following the cord type designation. Use of a cord suitable for outdoor use reduces the risk of electric shock. When using an extension cord, be sure to use one heavy enough to carry the current your product will draw. An undersized cord will cause a drop in line voltage resulting in loss of power and overheating. The following table shows the correct size to use depending on cord length and nameplate ampere rating. If in doubt, use the next heavier gauge. The smaller the gauge number, the heavier the cord.

Minimum Gauge for Cord Sets				
Volts	Total Length of Cord in Feet			
120V	0-25	26-50	51-100	101-150
Ampere Rating	Gauge of wire in AWG units			
From 12 to 16 amps	14	12	Not recommended	
- 3) **Personal safety**
 - a) **Stay alert, watch what you are doing and use common sense when operating a power tool. Do not use a power tool while you are tired or under the influence of drugs, alcohol or medication.** A moment of inattention while operating power tools may result in serious personal injury.
 - b) **Use safety equipment. Always wear eye protection.** Safety equipment such as dust mask, non-skid safety shoes, hard hat, or hearing protection used for appropriate conditions will reduce personal injuries.
 - c) **Avoid accidental starting. Be sure the switch is in the off-position before plugging in.** Carrying power tools with your finger on the switch or plugging in power tools that have the switch on invites accidents.
 - d) **Remove any adjusting key or wrench before turning the power tool on.** A wrench or a key left attached to a rotating part of the power tool may result in personal injury.
 - e) **Do not overreach. Keep proper footing and balance at all times.** This enables better control of the power tool in unexpected situations.
 - f) **Dress properly. Do not wear loose clothing or jewelry. Keep your hair, clothing and gloves away from moving parts.** Loose clothes, jewelry or long hair can be caught in moving parts. Air vents often cover moving parts and should also be avoided.
 - g) **If devices are provided for the connection of dust extraction and collection facilities, ensure these are connected and properly used.** Use of these devices can reduce dust-related hazards.
- 4) **Power tool use and care**
 - a) **Do not force the power tool. Use the correct power tool for your application.** The correct power tool will do the job better and safer at the rate for which it was designed.
 - b) **Do not use the power tool if the switch does not turn it on and off.** Any power tool that cannot be controlled with the switch is dangerous and must be repaired.
 - c) **Disconnect the plug from the power source before making any adjustments, changing accessories, or storing power tools.** Such preventive safety measures reduce the risk of starting the power tool accidentally.
 - d) **Store idle power tools out of the reach of children and do not allow persons unfamiliar with the power tool or these instructions to operate the power tool.** Power tools are dangerous in the hands of untrained users.
 - e) **Maintain power tools. Check for misalignment or binding of moving parts, breakage of parts and any other condition that may affect the power tools operation. If damaged, have the power tool repaired before use.** Many accidents are caused by poorly maintained power tools.
 - f) **Keep cutting tools sharp and clean.** Properly maintained cutting tools with sharp cutting edges are less likely to bind and are easier to control.
 - g) **Use the power tool, accessories and tool bits etc., in accordance with these instructions and in the manner intended for the particular type of power tool, taking into account the working conditions and the work to be performed.** Use of the power tool for operations different from those intended could result in a hazardous situation.
- 5) **Service**
 - a) **Have your power tool serviced by a qualified repair person using only identical replacement parts.** This will ensure that the safety of the power tool is maintained.

ADDITIONAL SPECIFIC SAFETY RULES

Safety Instructions for All Saws

DANGER

- a) **Keep hands away from cutting area and the blade. Keep your second hand on auxiliary handle, or motor housing.** If both hands are holding the saw, they cannot be cut by the blade.
- b) **Do not reach underneath the workpiece.** The guard cannot protect you from the blade below the workpiece.

- c) **Adjust the cutting depth to the thickness of the workpiece.** Less than a full tooth of the blade teeth should be visible below the workpiece.
- d) **Never hold piece being cut in your hands or across your leg. Secure the workpiece to a stable platform.** It is important to support the work properly to minimize body exposure, blade binding, or loss of control.
- e) **Hold power tool by insulated gripping surfaces when performing an operation where the cutting tool may contact hidden wiring or its own cord.** Contact with a "live" wire will also make exposed metal parts of the power tool "live" and shock the operator.
- f) **When ripping always use a rip fence or straight edge guide.** This improves the accuracy of cut and reduces the chance of blade binding.
- g) **Always use blades with correct size and shape (diamond versus round) of arbor holes.** Blades that do not match the mounting hardware of the saw will run eccentrically, causing loss of control.
- h) **Never use damaged or incorrect blade washers or bolt.** The blade washers and bolt were specially designed for your saw, for optimum performance and safety of operation.
- i) **Keep your body positioned to either side of the blade, but not in line with the saw blade.** KICKBACK could cause the saw to jump backwards (see Causes and Operator Prevention of Kickback and KICKBACK).
- j) **CAUTION:** Blades coast after turn off. Serious personal injury may result.
- k) **Avoid cutting nails. Inspect for and remove all nails from lumber before cutting.**

CAUSES AND OPERATOR PREVENTION OF KICKBACK:

- Kickback is a sudden reaction to a pinched, bound or misaligned saw blade, causing an uncontrolled saw to lift up and out of the workpiece toward the operator.
- When the blade is pinched or bound tightly by the kerf closing down, the blade stalls and the motor reaction drives the unit rapidly back toward the operator.
- If the blade becomes twisted or misaligned in the cut, the teeth at the back edge of the blade can dig into the top surface of the wood causing the blade to climb out of the kerf and jump back toward the operator.

Kickback is the result of saw misuse and/or incorrect operating procedures or conditions and can be avoided by taking proper precautions as given below:

- a) **Maintain a firm grip with both hands on the saw and position your arms to resist kickback forces. Position your body to either side of the blade, but not in line with the blade.** Kickback could cause the saw to jump backwards, but kickback forces can be controlled by the operator, if proper precautions are taken.
- b) **When blade is binding, or when interrupting a cut for any reason, release the trigger and hold the saw motionless in the material until the blade comes to a complete stop. Never attempt to remove the saw from the work or pull the saw backward while the blade is in motion or kickback may occur.** Investigate and take corrective actions to eliminate the cause of blade binding.
- c) **When restarting a saw in the workpiece, centre the saw blade in the kerf and check that saw teeth are not engaged into the material.** If saw blade is binding, it may walk up or kickback from the workpiece as the saw is restarted.
- d) **Support large panels to minimize the risk of blade pinching and kickback.** Large panels tend to sag under their own weight. Supports must be placed under the panel on both sides, near the line of cut and near the edge of the panel.
- e) **Do not use dull or damaged blades.** Unsharpened or improperly set blades produce narrow kerf causing excessive friction, blade binding and kickback.
- f) **Blade depth and bevel adjusting locking levers must be tight and secure before making cut.** If blade adjustment shifts while cutting, it may cause binding and kickback.
- g) **Use extra caution when making a "plunge cut" into existing walls or other blind areas.** The protruding blade may cut objects that can cause kickback.

LOWER GUARD SAFETY INSTRUCTIONS

- a) **Check lower guard for proper closing before each use. Do not operate the saw if lower guard does not move freely and close instantly. Never clamp or tie the lower guard into the open position.** If saw is accidentally dropped, lower guard may be bent. Raise the lower guard with the retracting handle and make sure it moves freely and does not touch the blade or any other part, in all angles and depths of cut.
- b) **Check the operation of the lower guard spring. If the guard and the spring are not operating properly, they must be serviced before use.** Lower guard may operate sluggishly due to damaged parts, gummy deposits, or a build-up of debris.
- c) **Lower guard should be retracted manually only for special cuts such as "plunge cuts" and "compound cuts." Raise lower guard by retracting handle and as soon as blade enters the material, the lower guard must be released.** For all other sawing, the lower guard should operate automatically.
- d) **Always observe that the lower guard is covering the blade before placing saw down on bench or floor.** An unprotected, coasting blade will cause the saw to walk backwards, cutting whatever is in its path. Be aware of the time it takes for the blade to stop after switch is released.

WARNING: Some dust created by power sanding, sawing, grinding, drilling, and other construction activities contains chemicals known to cause cancer, birth defects or other reproductive harm. Some examples of these chemicals are:

- lead from lead-based paint.
- crystalline silica from bricks and cement and other masonry products.
- arsenic and chromium from chemically-treated lumber (CCA).

Your risk from these exposures varies, depending on how often you do this type of work. To reduce your exposure to these chemicals: work in a well ventilated area, and work with approved safety equipment, such as those dust masks that are specially designed to filter out microscopic particles.

WARNING: Avoid prolonged contact with dust from power sanding, sawing, grinding, drilling, and other construction activities. Wear protective clothing and wash exposed areas with soap and water. Allowing dust to get into your mouth, eyes, or lay on the skin may promote absorption of harmful chemicals.

WARNING: Use of this tool can generate and/or disburse dust, which may cause serious and permanent respiratory or other injury. Always use NIOSH/OSHA approved respiratory protection appropriate for the dust exposure. Direct particles away from face and body.

WARNING: ALWAYS USE SAFETY GLASSES (ANSI Z87.1) and (CAN/CSA Z94.3) Everyday eye-glasses are NOT safety glasses. Also use face or dust mask if cutting operation is dusty. ALWAYS WEAR CERTIFIED SAFETY EQUIPMENT:

- ANSI Z87.1 eye protection (CAN/CSA Z94.3)
- ANSI S12.6 (S3.19) hearing protection
- NIOSH/OSHA/MSHA respiratory protection

SYMBOLS

The label on your tool may include the following symbols. The symbols and their definitions are as follows:

V..... volts	A..... amperes
Hz..... hertz	W..... watts
min..... minutes	~..... alternating current
==..... direct current	n..... no load speed
Ⓛ..... Class I Construction (grounded)	Ⓧ..... earthing terminal
Ⓜ..... Class II Construction (double insulated)	▲..... safety alert symbol
BPM.....beats per minute	.../min..... revolutions or reciprocations per minute
	RPM.....revolutions per minute

SAVE THESE INSTRUCTIONS

MOTOR

Be sure your power supply agrees with nameplate marking. 120 Volts AC means your saw will operate on alternating current. As little as 10% lower voltage can cause loss of power and can result in overheating. All Porter Cable tools are factory-tested; if this tool does not operate, check the power supply.

WARNING: Accessories must be rated for at least the speed recommended on the tool warning label. Accessories running over rated speed can fly apart and cause injury. Accessory ratings must always be above tool speed as shown on tool nameplate.

WARNING: To reduce the risk of injury, turn unit off and disconnect it from power source before installing and removing accessories, before adjusting or when making repairs. An accidental start-up can cause injury.

CAUTION: Avoid contact with the blade teeth to prevent personal injury.

OPERATION

BLADE SELECTION

Your Porter-Cable circular saw is designed for use with 4-1/2" diameter blades that have a 3/8" diameter bore. Blades must be rated for 4500 RPM operation (or higher).

A combination blade is furnished with your saw and is an excellent blade for all general ripping and crosscutting operations. When crosscutting and smoothness of cut is an important factor, use a thin-rim blade. Use a fine tooth blade when cutting plywood and masonite. Special blades are available for cutting plexiglass and "problem materials" (metal, laminates, and gauge-size sheet steel). **DO NOT** use any abrasive wheels.

TO CHANGE SAW BLADES

WARNING: To reduce the risk of injury, turn unit off and disconnect it from power source before installing and removing accessories, before adjusting or when making repairs. An accidental start-up can cause injury.

CAUTION: Avoid contact with the blade teeth to prevent personal injury.

To remove the blade, place the teeth of the blade against the edge of a board and loosen the blade retaining screw by turning it counter-clockwise with the provided wrench. Remove the blade retaining screw and the outer flange. Hold the lower blade guard open and remove the blade. Before installing a new blade, remove the inner flange and wipe it clean. Also remove any sawdust that may have accumulated in the guards, around the saw arbor, and from the lower blade guard spring. Check the lower blade guard to ensure that it is in working order.

CAUTION: If lower blade guard movement is sluggish or binding exists, return the saw to your nearest AUTHORIZED PORTER-CABLE SERVICE STATION or PORTER-CABLE SERVICE CENTER for repair. NEVER use your saw if the lower blade guard is not in working order.

Clean and replace the outer flange, making certain the square hole mates with the squared end of the saw arbor. Install the blade with the teeth pointing "**UP**" at the front of the saw. Firmly tighten the blade retaining screw.

INSTALLING THE PLEXIGLASS BLADE

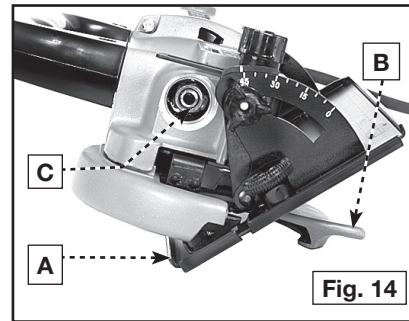
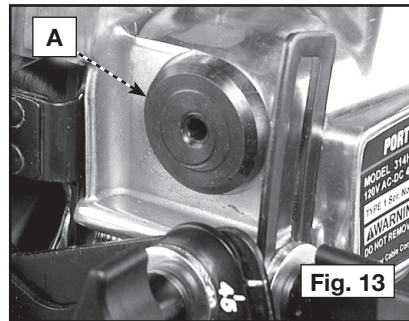
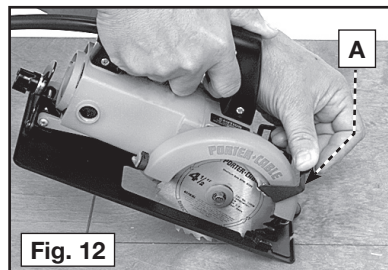
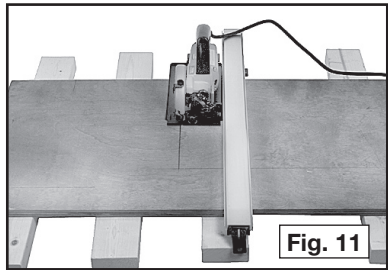
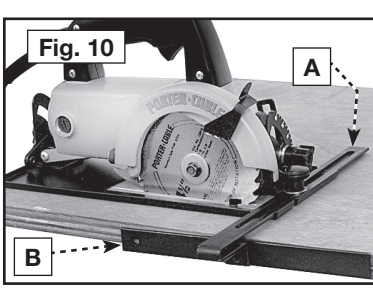
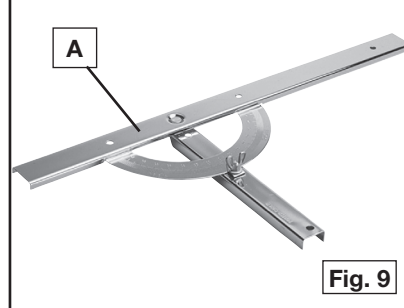
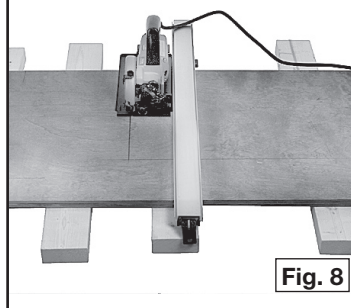
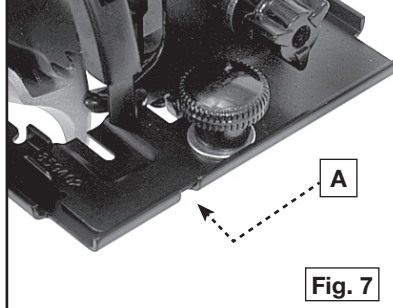
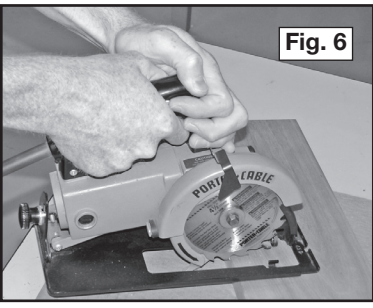
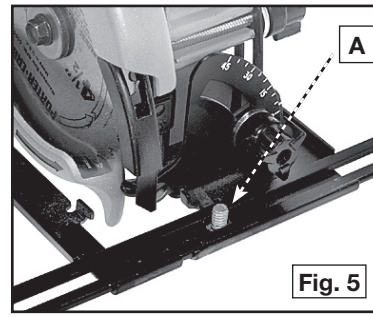
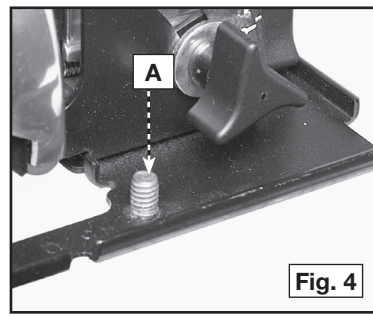
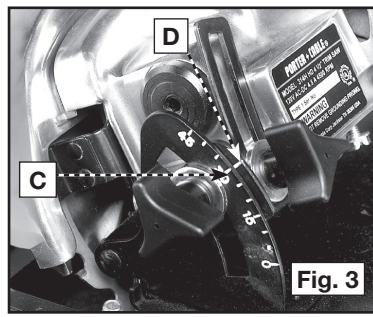
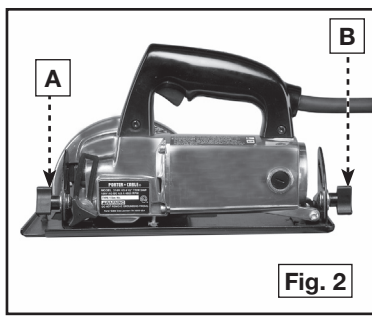
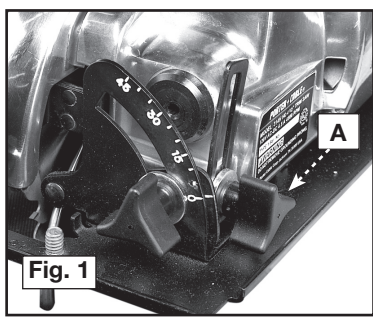
WARNING: To reduce the risk of injury, turn unit off and disconnect it from power source before installing and removing accessories, before adjusting or when making repairs. An accidental start-up can cause injury.

CAUTION: Avoid contact with the blade teeth to prevent personal injury.

Use the following installation procedure **ONLY** for cutting plexiglass. Install a special plexiglass-cutting blade with the teeth pointing "**DOWN**" at the front of the saw.

BLADE

WARNING: To minimize the risk of eye injury, always wear ANSI Z87.1 approved eye protection. Carbide is a hard but brittle material. Foreign objects in the work piece such as wire or nails can cause tips to crack or break. Only operate saw when proper saw blade guard is in place. Mount blade securely in proper rotation before using, and always use a clean, sharp blade



▲WARNING: NEVER cut ferrous metals (those with any iron or steel content), masonry, glass or tile with this saw. Damage to the saw and personal injury may result.

A dull blade will cause inefficient cutting, overload on the saw motor, excessive splintering and increase the possibility of kickback. Change blades when it is no longer easy to push the saw through the cut, when the motor is straining, or when excessive heat is built up in the blade. It is a good practice to keep extra blades on hand so that sharp blades are available for immediate use. Dull blades can be sharpened in most areas; see SAWS-SHARPENING in the yellow pages. Hardened gum on the blade can be removed with kerosene, turpentine, or oven cleaner. Anti-stick coated blades can be used in applications where excessive build-up is encountered, such as pressure treated and green lumber.

LOWER BLADE GUARD

▲WARNING: The lower blade guard is a safety feature which reduces the risk of serious personal injury. Never use the saw if the lower guard is missing, damaged, misassembled or not working properly. Do not rely on the lower blade guard to protect you under all circumstances. Your safety depends on following all warnings and precautions as well as proper operation of the saw. Check lower guard for proper closing before each use as outlined in Additional Safety Rules for Circular Saws. If the lower blade guard is missing or not working properly, have the saw serviced before using. To assure product safety and reliability, repair, maintenance and adjustment should be performed by an authorized PORTER-CABLE service center or other qualified service organization, always using identical replacement parts.

TO ADJUST DEPTH-OF-CUT FOR NORMAL CUTTING

▲WARNING: To reduce the risk of injury, turn unit off and disconnect it from power source before installing and removing accessories, before adjusting or when making repairs. An accidental start-up can cause injury.

Loosen the depth-adjusting knob (A) Fig. 1, and raise or lower the saw housing until the blade extends the desired distance below the base. For best results, the blade should barely protrude through the workpiece. Firmly tighten the knob to hold the saw in position.

TO ADJUST FOR BEVEL CUTS

▲WARNING: To reduce the risk of injury, turn unit off and disconnect it from power source before installing and removing accessories, before adjusting or when making repairs. An accidental start-up can cause injury.

Loosen the front (A) Fig. 2 and rear (B) Fig. 2 angle-adjusting knobs. Tilt the saw housing until the desired graduation mark (C) Fig. 3 lines up with the indicating line (D) Fig. 3 on the depth-adjusting bracket. Firmly tighten the knobs to hold the saw in the selected position.

TO ATTACH THE BASE INSERT

▲WARNING: To reduce the risk of injury, turn unit off and disconnect it from power source before installing and removing accessories, before adjusting or when making repairs. An accidental start-up can cause injury.

The base insert is used to reduce chipping and splintering of the top fibers of plywood and paneling when used in conjunction with a fine tooth blade. When the base insert is used. You can cut either side (finished or unfinished) of the workpiece. **NOTE:** Do not use this insert when making bevel cuts.

Adjust the saw for the minimum depth-of-cut. Place the slot of the insert around the stud (A) Fig. 4 on the front of the saw base. Install a flat washer and thumb nut to the stud loosely. Adjust the saw for the desired depth of cut, and align the insert so that the saw blade is centered in the slot in the insert. Tighten the thumb nut firmly.

LINE-OF-CUT INDICATOR

▲WARNING: To reduce the risk of injury, turn unit off and disconnect it from power source before installing and removing accessories, before adjusting or when making repairs. An accidental start-up can cause injury.

A notch is provided on the front edge of the base to assist in following the line of cut marked on the workpiece.

The left edge of the notch (A) Fig. 7 is marked "45". Use this edge to follow the line when making 45° bevel cuts. The right edge of the notch is marked "0". Use this edge to follow the line when making 90° cuts.

INSTALLING THE OPTIONAL RIP GUIDE

▲WARNING: To reduce the risk of injury, turn unit off and disconnect it from power source before installing and removing accessories, before adjusting or when making repairs. An accidental start-up can cause injury.

Adjust the saw for the minimum depth-of-cut. Place the slot in the rip guide over the stud (A) Fig. 5 on the front of the saw base.

Install a flat washer and thumb nut on the stud loosely. Adjust the guide to the desired width-of-cut. Take into consideration the blade thickness and set. Tighten the thumb nut firmly.

HOW TO USE THE SAW

▲WARNING: If the guard binds or is sluggish, return the saw to your nearest authorized Porter-Cable service center for repair.

▲WARNING: For maximum protection, effective control of this powerful saw requires two-handed operation. Support the work properly and hold the saw firmly to prevent loss of control which could cause injury. Refer to Figure 6 for the proper way to hold the saw.

▲WARNING: Stay alert and maintain a firm grip on the saw. Release the switch immediately if the blade binds or the saw stalls. Keep your blade sharp. Properly support panels (Fig. 11). Use a fence or a straight edge guide when ripping. DO NOT force the tool. DO NOT remove the saw from the workpiece while the blade is moving.

▲WARNING: To help reduce the risk of personal injury, always clamp work. Don't try to hold short pieces by hand! Remember to support cantilevered and over hanging material. Use caution when sawing material from below.

▲WARNING: Be sure that the saw is up to full speed before blade contacts material to be cut. Starting the saw with blade against material to be cut or pushed forward into kerf can result in kickback and personal injury.

▲CAUTION: Do not operate your tool on a current on which the voltage is not within correct limits. Do not operate tools rated AC only on DC current. To do so may seriously damage the tool.

KICKBACK

When the saw blade becomes pinched or twisted in the cut, kickback can occur. The saw is thrust rapidly back toward the operator. When the blade is pinched or bound tightly by the kerf closing down, the blade stalls and the motor reaction drives the unit backward. When the blade becomes twisted or misaligned in the cut, the teeth at the back edge of the blade can dig into the top surface of the wood causing the blade to climb out of the kerf and jump back toward the operator. Kickback is more likely to occur when any of the following conditions exist.

1. IMPROPER WORKPIECE SUPPORT

- Sagging or improper lifting of the cut off piece can cause pinching of the blade and lead to kickback.
- Cutting through material supported at the outer ends only can cause kickback. As the material weakens it sags, closing down the kerf and pinching the blade.
- Cutting off a cantilevered or overhanging piece of material from the bottom up in a vertical direction can cause kickback. The falling cut off piece can pinch the blade.
- Cutting off long narrow strips (as in ripping) can cause kickback. The cut off strip can sag or twist closing the kerf and pinching the blade.
- Snagging the lower guard on a surface below the material being cut momentarily reduces operator control. The saw can lift partially out of the cut increasing the chance of blade twist.

2. IMPROPER DEPTH OF CUT SETTING ON SAW

To make the most efficient cut, the blade should protrude only far enough to expose 1/2 of a tooth. This allows the shoe to support the blade and minimizes twisting and pinching in the material. See the section titled "Cutting Depth Adjustment."

3. BLADE TWISTING (MISALIGNMENT IN CUT)

- Pushing harder to cut through a knot, a nail, or a hard grain area can cause the blade to twist.
- Trying to turn the saw in the cut (trying to get back on the marked line) can cause blade twist.
- Over-reaching or operating the saw with poor body control (out of balance), can result in twisting the blade.
- Changing hand grip or body position while cutting can result in blade twist.
- Backing up the saw to clear blade can lead to twist if it is not done carefully.

4. MATERIALS THAT REQUIRE EXTRA ATTENTION

- Wet lumber
- Green lumber (material freshly cut or not kiln dried)
- Pressure treated lumber (material treated with preservatives or anti-rot chemicals)

5. USE OF DULL OR DIRTY BLADES

Dull blades cause increased loading of the saw. To compensate, an operator will usually push

harder which further loads the unit and promotes twisting of the blade in the kerf. Worn blades may also have insufficient body clearance which increases the chance of binding and increased loading.

6. LIFTING THE SAW WHEN MAKING BEVEL CUT

Bevel cuts require special operator attention to proper cutting techniques - especially guidance of the saw. Both blade angle to the shoe and greater blade surface in the material increase the chance for binding and misalignment (twist) to occur.

7. RESTARTING A CUT WITH THE BLADE TEETH JAMMED AGAINST THE MATERIAL

The saw should be brought up to full operating speed before starting a cut or restarting a cut after the unit has been stopped with the blade in the kerf. Failure to do so can cause stalling and kickback.

Any other conditions which could result in pinching, binding, twisting, or misalignment of the blade could cause kickback. Refer to the sections on "Adjustments And Set-Up" and "Operation" for procedures and techniques that will minimize the occurrence of kickback.

CROSSCUTTING AND BEVEL CUTS

▲WARNING: To reduce the risk of injury, turn unit off and disconnect it from power source before installing and removing accessories, before adjusting or when making repairs. An accidental start-up can cause injury.

▲WARNING: Use the lever (A) Fig. 12 provided on the lower blade guard when you have to retract the lower blade guard manually.

Support the workpiece on a firm bench, saw horse, or other rigid support and securely hold it in place. Extend the end to be cut off beyond and to the right of the support. Clear the area beneath the line of cut of all objects that would interfere with the blade protruding through the workpiece.

Place the front edge of the saw base squarely on the work and keep the tip of the saw blade clear of the work. Depress the switch trigger and allow the saw motor to reach full speed. Maintain the relationship of the notch in the front edge of the base with a marked line on the workpiece. Advance the saw steadily through the workpiece. Do not force the saw through the workpiece. At the completion of the cut, release the switch trigger.

Bevel cuts are made in the same manner as cross-cuts, except that the saw base is tilted to the desired angle. An optional protractor gauge (A) Fig. 9 is available to aid in cutting compound angles. This gauge is also useful for crosscutting operations.

RIPPING

Ripping is cutting wood lengthwise. This operation is performed the same as crosscutting with the exception of supporting the workpiece. If the workpiece is supported on a large table, bench, or floor, several pieces of scrap stock approximately one inch thick should be placed beneath the workpiece to allow clearance for the protruding section of the blade. Large sheets of paneling or thin plywood supported on saw horses should have 2 x 4's placed lengthwise between the horses and the workpiece to prevent it from sagging.

For narrow rip cuts, use the rip guide (A) Fig. 10 (available as an accessory). Guide the saw by keeping the inner face of the rip guide (B) tight against the edge of the board.

PANEL CUTS

For making wide cuts (plywood, paneling, etc.), use a wooden guide strip. Clamp or tack this strip to the workpiece far enough back from the line-of-cut to act as a fence for the left edge of the saw base (Fig. 11). The location of this strip will have to allow for the distance from the left side of the base to the blade so that the blade will cut exactly where desired. This strip should extend beyond each end of the workpiece.

▲WARNING: Support the material being cut with 2 x 4's or scrap material to provide blade clearance beneath the material and to provide a firm work surface.

POCKET CUTS (PLUNGE CUTTING)

▲WARNING: Use the lever (A) Fig. 12 provided on the lower guard when you have to retract the guard manually.

▲CAUTION: Keep your hands and fingers away from the blade.

▲CAUTION: Let the saw come to a complete stop before removing it from the workpiece.

A pocket cut starts inside the workpiece and not from the edge. Mark the area clearly with lines on all sides. Start near the corner of one side and place the front edge of the saw base firmly on the workpiece. Hold the saw up so that the blade clears the workpiece. Adjust the blade properly for the depth-of-cut. For best results, adjust the blade so that it barely protrudes through the workpiece. Push the lower blade guard lever all the way forward so that the blade is exposed (Fig. 12). Be very careful not to contact the blade. Start the motor and lower the blade into the work. After the blade has cut through and the base rests flat on the work, follow your marked line to the corner. Use a keyhole or bayonet saw to cut the corners.

TROUBLESHOOTING

For assistance with your tool, visit our website at www.deltaportercable.com for a list of service centers, or call the Porter-Cable Customer Care Center at (888) 848-5175.

MAINTENANCE

▲WARNING: To reduce the risk of injury, turn unit off and disconnect it from power source before installing and removing accessories, before adjusting or when making repairs. An accidental start-up can cause injury.

▲WARNING: ALWAYS USE SAFETY GLASSES. Everyday eyeglasses are NOT safety glasses. Also use face or dust mask if cutting operation is dusty. ALWAYS wear certified safety equipment:

- ANSI S87.1 eye protection (CAN/CSA Z94.3)
- ANSI S12.6 (S3.19) hearing protection
- NIOSH/OSHA respiratory protection.

REPAIRS

For assistance with your tool, visit our website at www.deltaportercable.com for a list of service centers, or call the Porter-Cable Customer Care Center at (888) 848-5175.

CLEANING

▲WARNING: Periodically blowing dust and chips out of the motor housing using clean, dry compressed air is a suggested maintenance procedure. To reduce the risk of serious personal injury, ALWAYS wear ANSI S87.1 safety glasses while using compressed air.

▲WARNING: When cleaning, use only mild soap and a damp cloth on plastic parts. Many household cleaners contain chemicals which could seriously damage plastic. Also, do not use gasoline, turpentine, lacquer or paint thinner, dry cleaning fluids or similar products which may seriously damage plastic parts. NEVER let any liquid get inside the tool; NEVER immerse any part of the tool into a liquid.

FAILURE TO START

Should your tool fail to start, check to make sure the prongs on the cord plug are making good contact in the outlet. Also, check for blown fuses or open circuit breakers in the line.

LUBRICATION

▲WARNING: To reduce the risk of injury, turn unit off and disconnect it from power source before installing and removing accessories, before adjusting or when making repairs. An accidental start-up can cause injury.

Although all Porter-Cable tools have been thoroughly lubricated with a sufficient amount of high grade lubricant at the time of manufacture, check the oil level in the gear chamber before using your saw and periodically thereafter. To check the oil level:

- Remove the saw blade to prevent accidental contact when checking the oil level.
- Adjust the saw for the maximum depth-of-cut and 45° bevel cut. Firmly tighten all knobs.
- Connect the power to the tool. Turn the saw "ON" and run it for approximately two minutes.
- Loosen the oil plug (A) Fig. 13 with the provided wrench.
- Remove the oil plug and seal. Set the saw on a level surface so that it rests on points (A) and (B) Fig. 14.
- Gear lubricant should be level with the bottom of the hole (C) but should not run out. If the level is low, add a small amount of lubricant (90 weight gear oil, furnished with your saw) until it is even with the bottom of the hole.
- NOTE: DO NOT OVERFILL.** The pressure created by the pumping action of the gears could force the lubricant through the seals and into the motor chamber, causing damage to the motor.
- Install the oil plug and gasket.
- Replace the saw blade.

BRUSH INSPECTION

For your continued safety and electrical protection, brush inspection and replacement on this tool should ONLY be performed by a PORTER-CABLE FACTORY SERVICE CENTER OR PORTER-CABLE AUTHORIZED WARRANTY SERVICE CENTER.

At approximately 100 hours of use, take or send your tool to your nearest Porter-Cable Factory Service center or Porter-Cable Authorized Warranty Service Center to be thoroughly cleaned and inspected. Have worn parts replaced and lubricated with fresh lubricant. Have new brushes installed, and test the tool for performance.

Any loss of power before the above maintenance check may indicate the need for immediate servicing of your tool. DO NOT CONTINUE TO OPERATE TOOL UNDER THIS CONDITION. If proper operating voltage is present, return your tool to the service station for immediate service.

▲WARNING: To reduce the risk of injury, DO NOT TIE, TAPE, OR OTHERWISE LOCK THE TRIGGER SWITCH ON while “running in”. HOLD BY HAND ONLY.

SERVICE

REPLACEMENT PARTS

Use only identical replacement parts. For a parts list or to order parts, visit our website at www.deltaportercableservicenet.com. You can also order parts from your nearest Porter-Cable Factory Service Center or Porter-Cable Authorized Warranty Service Center. Or, you can call our Customer Care Center at (888) 848-5175.

SERVICE AND REPAIRS

All quality tools will eventually require servicing and/or replacement of parts. For information about Porter-Cable, its factory service centers or authorized warranty service centers, visit our website at www.deltaportercable.com or call our Customer Care Center at (888) 848-5175. All repairs made by our service centers are fully guaranteed against defective material and workmanship. We cannot guarantee repairs made or attempted by others.

You can also write to us for information at PORTER-CABLE, 4825 Highway 45 North, Jackson, Tennessee 38305 - Attention: Product Service. Be sure to include all of the information shown on the nameplate of your tool (model number, type, serial number, etc.).

ACCESSORIES

▲WARNING: Since accessories, other than those offered by Porter-Cable, have not been tested with this product, use of such accessories with this tool could be hazardous. To reduce the risk of injury, only Porter-Cable recommended accessories should be used with this product.

▲WARNING: DO NOT USE WATER FEED ATTACHMENTS WITH THIS SAW.

▲WARNING: VISUALLY EXAMINE CARBIDE BLADES BEFORE USE. REPLACE IF DAMAGED.

A complete line of accessories is available from your Porter-Cable Factory Service Center or a Porter-Cable Authorized Warranty Service Center. Please visit our Web Site www.deltaportercable.com for a catalog or for the name of your nearest supplier.

WARRANTY

To register your tool for warranty service visit our website at www.deltaportercable.com.

PORTER-CABLE LIMITED ONE YEAR WARRANTY: Porter-Cable warrants its Professional Power Tools for a period of one year from the date of original purchase. We will repair or replace at our option, any part or parts of the product and accessories covered under this warranty which, after examination, proves to be defective in workmanship or material during the warranty period. For repair or replacement return the complete tool or accessory, transportation prepaid, to your nearest Porter-Cable Factory Service Center or Porter-Cable Authorized Warranty Service Center. Proof of purchase may be required. This warranty does not apply to repair or replacement required due to misuse, abuse, normal wear and tear or repairs attempted or made by other than our serviceCenters or authorized warranty service centers.

ANY IMPLIED WARRANTY, INCLUDING THE IMPLIED WARRANTIES OF MERCHANTABILITY AND FITNESS FOR A PARTICULAR PURPOSE, WILL LAST ONLY FOR ONE (1) YEAR FROM THE DATE OF PURCHASE. To obtain information on warranty performance please write to: PORTER-CABLE, 4825 Highway 45 North, Jackson, Tennessee 38305; Attention: Product Service. THE FOREGOING OBLIGATION IS PORTER-CABLE'S SOLE LIABILITY UNDER THIS OR ANY IMPLIED WARRANTY AND UNDER NO CIRCUMSTANCES SHALL PORTER-CABLE BE LIABLE FOR ANY INCIDENTAL OR CONSEQUENTIAL DAMAGES. Some states do not allow limitations on how long an implied warranty lasts or the exclusion or limitation of incidental or consequential damages, so the above limitation or exclusion may not apply to you.

This warranty gives you specific legal rights and you may also have other legal rights which vary from state to state.

WARNING LABEL REPLACEMENT

If your warning labels become illegible or are missing, call (888) 848-5175 for a free replacement.



MESURES DE SÉCURITÉ - DÉFINITIONS

▲DANGER : Indique une situation dangereuse imminente qui, si elle n’est pas évitée, causera la mort ou des blessures graves.

▲AVERTISSEMENT : Indique une situation potentiellement dangereuse qui, si elle n’est pas évitée, pourrait se solder par un décès ou des blessures graves.

▲ATTENTION : Indique une situation potentiellement dangereuse qui, si elle n’est pas évitée pourrait se solder par des blessures mineures ou modérées.

ATTENTION : Utilisé sans le symbole d’alerte à la sécurité, indique une situation potentiellement dangereuse qui, si elle n’est pas évitée pourrait se solder par des dommages à la propriété.

Règles Générales Sur la Sécurité

▲AVERTISSEMENT : Lire toutes les directives. Tout manquement aux directives suivantes pose des risques de choc électrique, d’incendie et/ou de blessure grave. Le terme « outil électrique » dans tous les avertissements ci-après se rapporte à votre outil électrique à alimentation sur secteur (avec fil) ou par piles (sans fil).

CONSERVER CES DIRECTIVES

1) Sécurité du lieu de travail

- Tenir la zone de travail propre et bien éclairée. Les lieux encombrés ou sombres sont propices aux accidents.
- Ne pas faire fonctionner d’outils électriques dans un milieu déflagrant, soit en présence de liquides, de gaz ou de poussières inflammables. Les outils électriques produisent des étincelles qui peuvent enflammer la poussière ou les vapeurs.
- Éloigner les enfants et les personnes à proximité pendant l’utilisation d’un outil électrique. Une distraction pourrait vous en faire perdre la maîtrise.

2) Sécurité en matière d’électricité

- La fiche de l’outil électrique doit être compatible avec la prise de courant. Ne modifiez jamais la fiche de quelque façon que ce soit. N’utilisez jamais d’adaptateurs de fiches avec des outils électriques mis à la terre. Le risque de choc électrique sera réduit par l’utilisation de fiches non modifiées et de prises de courant compatibles.
- Éviter tout contact physique avec des surfaces mises à la terre comme des tuyaux, des radiateurs, des cuisinières et des réfrigérateurs. Le risque de choc électrique est plus élevé si votre corps est mis à la terre.
- Ne pas exposer les outils électriques à la pluie ou à l’humidité. La pénétration de l’eau dans un outil électrique augmente le risque de choc électrique.
- Ne pas utiliser le cordon de façon abusive. Ne jamais utiliser le cordon pour transporter, tirer ou débrancher un outil électrique. Tenir le cordon éloigné de la chaleur, de l’huile, des bords tranchants ou des pièces mobiles. Les cordons endommagés ou enchevêtrés augmentent les risques de choc électrique. Utiliser uniquement une rallonge à 3 fils pourvue d’une fiche de mise à la terre à 3 lames et une prise à 3 fentes correspondant à la fiche.
- Pour l’utilisation d’un outil électrique à l’extérieur, se servir d’une rallonge convenant à une telle utilisation. Si la rallonge sera utilisée à l’extérieur, elle doit être estampillée d’un W-A ou d’un W suivi de la classification de la rallonge. L’utilisation d’une rallonge conçue pour l’extérieur réduit les risques de choc électrique. Lorsque qu’une rallonge électrique est utilisée, s’assurer d’en utiliser une de calibre suffisamment élevé pour assurer le transport du courant nécessaire au fonctionnement de l’appareil. Un cordon de calibre inférieur causera une chute de tension de ligne et donc une perte de puissance et une surchauffe. Le tableau suivant indique le calibre approprié à utiliser selon la longueur du cordon et l’intensité nominale de la plaque signalétique. En cas de doute, utiliser le calibre suivant le plus gros. Plus le numéro de calibre est petit, plus le cordon est lourd.

Calibre de fil minimum recommandé pour les rallonges

Volts	Longueur totale de la rallonge			
120V	0-25 pi	26-50 pi	51-100 pi	101-150 pi
	0-7.6 m	7.6 m - 15.2 m	15.2 m - 30.5 m	30.5 m - 45.7 m
Amperes	Calibre de fil dans des unités d’A.W.G.			
De 12 à 16 ampères	14	12	not recommended	

3) Sécurité personnelle

- Être vigilant, surveiller le travail effectué et faire preuve de jugement lorsqu’un outil électrique est utilisé. Ne pas utiliser d’outil électrique en cas de fatigue ou sous l’influence de drogues, d’alcool ou de médicaments. Un moment d’inattention, durant l’utilisation d’un outil électrique, peut se solder par des blessures graves.
- Utiliser un équipement de sécurité. Toujours porter une protection oculaire. L’utilisation d’un équipement de sécurité comme un masque anti-poussières, des chaussures antidérapantes, un casque de sécurité ou des protecteurs auditifs lorsque la situation le requiert réduira les risques de blessures corporelles.
- Éviter un démarrage accidentel. S’assurer que l’interrupteur se trouve à la position d’arrêt avant de brancher l’outil. Transporter un outil électrique alors que le doigt repose sur l’interrupteur ou brancher un outil électrique dont l’interrupteur est à la position de marche risque de provoquer un accident.

- Retirer toute clé de réglage ou clé standard avant de démarrer l’outil. Une clé standard ou une clé de réglage attachée à une partie pivotante de l’outil peut provoquer des blessures corporelles.
 - Ne pas trop tendre les bras. Conserver son équilibre en tout temps. Cela permet de mieux maîtriser l’outil électrique dans les situations imprévues.
 - S’habiller de manière appropriée. Ne pas porter de vêtements amples ni de bijoux. Garder les cheveux, les vêtements et les gants à l’écart des pièces mobiles. Les vêtements amples, bijoux ou cheveux longs pourraient s’enchevêtrer dans les pièces mobiles.
 - Si des composants sont fournis pour le raccordement de dispositifs de dépoussiérage et de ramassage, s’assurer que ceux-ci sont bien raccordés et utilisés. L’utilisation de ces dispositifs peut réduire les risques engendrés par les poussières.
- Utilisation et entretien d’un outil électrique
 - Ne pas forcer un outil électrique. Utiliser l’outil électrique approprié à l’application. L’outil électrique approprié effectuera un meilleur travail, de façon plus sûre et à la vitesse pour laquelle il a été conçu.
 - Ne pas utiliser un outil électrique dont l’interrupteur est défectueux. Tout outil électrique dont l’interrupteur est défectueux est dangereux et doit être réparé.
 - Débrancher la fiche du bloc d’alimentation avant de faire quelque ajustement que ce soit, de changer d’accessoire ou de ranger les outils électriques. Ces mesures préventives réduisent les risques de démarrage accidentel de l’outil électrique.
 - Ranger les outils électriques inutilisés hors de la portée des enfants, et ne permettre à aucune personne n’étant pas familière avec l’outil électrique ou son mode d’emploi d’utiliser ce dernier. Les outils électriques deviennent dangereux entre les mains d’utilisateurs inexpérimentés.
 - Entretien les outils électriques. Vérifier si les pièces mobiles sont mal alignées ou coincées, si des pièces sont brisées ou présentent toute autre condition susceptible de nuire au bon fonctionnement de l’outil électrique. En cas de dommage, faire réparer l’outil électrique avant toute nouvelle utilisation. Beaucoup d’accidents sont causés par des outils électriques mal entretenus.
 - S’assurer que les outils de coupe sont aiguisés et propres. Les outils de coupe bien entretenus et affûtés sont moins susceptibles de se coincer et sont plus faciles à contrôler.
 - Utiliser un outil électrique, ses accessoires, mâches, etc., conformément aux présentes directives et suivant la manière prévue pour ce type particulier d’outil électrique, en tenant compte des conditions de travail et du travail à effectuer. L’utilisation d’un outil électrique pour toute opération autre que celle pour laquelle il a été conçu est dangereuse.

5) Réparation

- Faire réparer l’outil électrique par un réparateur professionnel en n’utilisant que des pièces de rechange identiques. Cela permettra de maintenir une utilisation sécuritaire de l’outil électrique.

RÈGLES DE SÉCURITÉ SPÉCIFIQUE

Consignes de sécurité pour toutes les scies

▲DANGER :

- Gardez les mains à distance de la zone de coupe et de la lame. Gardez une de vos mains sur la poignée auxiliaire ou sur le carter du moteur. Si vous tenez la scie de vos deux mains, elles ne peuvent pas être coupées par la lame.
- N’essayez pas de tenir le dessous de l’ouvrage. Le protège-lame ne peut pas vous protéger de la lame en dessous de l’ouvrage.
- Ajustez la profondeur de coupe à l’épaisseur de l’ouvrage. Moins d’une dent entière de lame devrait être visible en dessous de l’ouvrage.
- Ne tenez jamais dans vos mains ou sur vos genoux un ouvrage qui est en cours de coupe. Fixez votre ouvrage sur une plateforme stable. Il est important de soutenir correctement l’ouvrage afin de minimiser l’exposition du corps à la lame, le risque de coincement de la lame ou la perte de contrôle de l’outil.
- Tenez l’outil électrique par ses surfaces de préhension isolantes quand vous réalisez une opération au cours de laquelle l’outil de coupe pourrait entrer en contact avec des câbles dissimulés ou avec son propre cordon électrique. Le contact avec un fil sous tension mettra également sous tension toutes les pièces métalliques exposées et donnera un choc électrique à l’utilisateur de l’outil.
- Pendant les coupes de refente, utilisez toujours un guide de refente ou un guide à bord droit. Ceci augmente toujours l’exactitude de la coupe et diminue la possibilité de coincement de la lame.
- Utilisez toujours des lames dont l’alésage central est de la taille et de la forme appropriées (soit en forme de diamant, soit en forme de rond). Les lames qui ne correspondent pas aux pièces de montage de la cie tourneront de façon excentrique, ce qui causera une perte de contrôle de l’outil.
- Ne vous servez jamais de rondelles ou de boulons de lames qui sont endommagés ou inappropriés. Les rondelles et le boulon de lame ont été conçus spécifiquement pour votre scie dans le but d’assurer une performance optimale et un fonctionnement sans danger.
 - Se placer à gauche ou à droite de la lame de scie et non dans sa trajectoire. L’EFFET DE REBOND risque de faire rebondir la scie vers l’arrière (consulter les rubriques « Causes de l’effet de rebond et prévention par l’opérateur » et « EFFET DE REBOND »).
 - ▲ATTENTION :** la lame continue de tourner après l’arrêt de la scie. Une telle pratique peut entraîner des blessures corporelles graves.
 - Évitez les ongles de découpage. Inspectez pour et enlevez tous les ongles du bois de charpente avant la coupure.

CAUSES DES REBONDS ET MÉTHODES DE PRÉVENTION POUVANT ÊTRE UTILISÉES PAR L’UTILISATEUR :

- Le rebond est une réaction subite (causée par une lame de scie pincée, coincée ou mal alignée) qui peut entraîner le soulèvement d’une scie non contrôlée, sa sortie de l’ouvrage et sa projection en direction de l’utilisateur.
- Si la lame est pincée ou coincée fortement pendant l’abaissement de la scie, la lame se cale et le moteur réagit en entraînant rapidement l’outil vers l’arrière dans la direction de l’opérateur.
- Si la lame se tord ou perd son alignement correct au cours de la coupe, les dents sur le bord arrière de la lame peuvent entamer la surface supérieure du bois, forçant ainsi la lame à sortir du trait de scie et à « sauter » vers l’arrière en direction de l’opérateur.

Le rebond est la conséquence d’une mauvaise utilisation de la scie et/ou de procédures ou de conditions incorrectes, et il peut être évité en prenant les précautions qui sont décrites ci-dessous :

- Maintenez fermement la scie avec vos deux mains et positionnez vos bras de façon à résister aux forces de rebond. Les forces de rebond peuvent être contrôlées par l’utilisateur quand les précautions appropriées sont prises.
- En cas de coincement de la lame ou d’interruption d’une coupe pour une raison quelconque, relâchez la gâchette et tenez la scie immobile dans l’ouvrage jusqu’à ce que la lame se soit immobilisée complètement. Ne tentez jamais de retirer la scie de l’ouvrage ou de la tirer vers l’arrière pendant que la lame est en mouvement, car un rebond risquerait de se produire. Évaluez la situation et prenez les mesures correctives nécessaires pour éliminer la cause du coincement de la lame.
- Lorsque vous remettez une scie en marche quand l’ouvrage est présent, centrez la lame de scie dans le trait de scie et vérifiez que les dents de la lame ne sont pas engagées dans le matériau de l’ouvrage. Si la lame de scie se coince, elle peut grimper hors de l’ouvrage ou rebondir sur celui-ci quand la scie est remise en marche.
- Soutenez les panneaux de grande taille de façon à minimiser le risque de pincement et de rebond de la lame. Les panneaux de grande taille ont tendance à s’affaisser sous leur propre poids. Des supports doivent être placés des deux côtés sous le panneau, à proximité de la ligne de coupe et à proximité du rebord du panneau.

- N’utilisez pas de lame émoussée ou endommagée. Des lames non aiguisées ou mal installées produisent un trait de scie étroit qui cause une friction excessive, le coincement de la lame et un effet de rebond.
- Les leviers de réglage de la profondeur et de l’angle de coupe de la lame doivent être bien serrés et assujettis avant de réaliser une coupe. Une modification du réglage de la lame pendant la coupe risque d’entraîner un coincement et un rebondissement de la lame.
- Procédez avec une prudence supplémentaire quand vous réalisez une coupe « en plongée » dans des murs déjà en place ou dans des pièces sans issue. La lame saillante peut couper des objets, et ceci peut entraîner un rebond.

CONSIGNES DE SÉCURITÉ RELATIVES AU PROTÈGE-LAME INFÉRIEUR

- Inspectez le protège-lame inférieur avant chaque utilisation pour vous assurer qu’il se ferme correctement. Ne faites pas fonctionner la scie si le protège-lame inférieur ne se déplace pas librement et ne se ferme pas instantanément. Ne forcez jamais le protège-lame inférieur dans la position ouverte à l’aide d’un collier de serrage ou d’une attache. Il est possible que le protège-lame inférieur se torde en cas de chute accidentelle de la scie. Soulevez le protège-lame inférieur à l’aide de la poignée rétractable et assurez-vous qu’il se déplace sans problème et qu’il ne touche pas la lame ou une autre pièce, quel que soit l’angle ou la profondeur de la coupe.
- Vérifiez le fonctionnement du ressort du protège-lame inférieur. Si le protège-lame inférieur et le ressort ne fonctionnent pas correctement, ils doivent être réparés avant l’emploi. Le protège-lame inférieur peut parfois mal fonctionner à cause de pièces endommagées, d’accumulation de résine ou de débris.
- Le protège-lame inférieur doit être rétracté à la main uniquement à l’occasion de coupes spéciales telles que les « coupes en plongée » ou les « coupes composées ». Soulevez le protège-lame inférieur à l’aide la poignée rétractable et relâchez-le dès que la lame pénètre dans le matériau de l’ouvrage. Pour toute autre opération de sciage, le protège-lame inférieur doit fonctionner automatiquement.
- Vérifiez toujours que le protège-lame inférieur couvre la lame avant de placez la scie sur un banc ou sur le sol. Une lame non protégée qui tourne librement entraînera le mouvement de la scie en marche arrière, ce qui provoquera la coupe de tout ce qui se trouve sur sa trajectoire. Soyez conscient du temps nécessaire à la lame pour s’arrêter une fois que la gâchette est relâchée.

▲AVERTISSEMENT : Certains outils électriques, tels que les sableuses, les scies, les meules, les perceuses ou certains autres outils de construction, peuvent produire de la poussière contenant des produits chimiques susceptibles d’entraîner le cancer, des malformations congénitales ou pouvant être nocifs pour le système reproductif. Parmi ces produits chimiques, on retrouve :

- le plomb dans les peintures à base de plomb,
- la silice cristalline dans les briques et le ciment et autres produits de maçonnerie,
- l’arsenic et le chrome dans le bois de sciage ayant subi un traitement chimique (comme l’arséniate de cuivre et de chrome).

Le risque associé à de telles expositions varie selon la fréquence avec laquelle on effectue ces travaux. Pour réduire l’exposition à de tels produits, il faut travailler dans un endroit bien aéré et utiliser le matériel de sécurité approprié, tel un masque anti-poussières spécialement conçu pour filtrer les particules microscopiques.

▲AVERTISSEMENT : Éviter tout contact prolongé avec la poussière soulevée par cet outil ou autres outils électriques. Porter des vêtements de protection et nettoyer les parties exposées du corps avec de l’eau savonneuse. S’assurer de bien se protéger afin d’éviter d’absorber par la bouche, les yeux ou la peau des produits chimiques nocifs.

▲AVERTISSEMENT : Cet outil peut produire et répandre de la poussière susceptible de causer des dommages sérieux et permanents au système respiratoire. Toujours utiliser un appareil respiratoire anti-poussières approuvé par le NIOSH ou l’OSHA. Diriger les particules dans le sens opposé du visage et du corps.

▲AVERTISSEMENT : TOUJOURS PORTER DES LUNETTES DE SÉCURITÉ. (ANSI Z87.1) and (CAN/CSA Z94.3) Les lunettes de vue ne constituent PAS des lunettes de sécurité. Utiliser également un masque facial ou anti-poussière si l'opération de découpe génère de la poussière. TOUJOURS PORTER UN ÉQUIPEMENT DE PROTECTION HOMOLOGUÉ :

- protection oculaire ANSI Z87.1 (CAN/CSA Z94.3),
- protection auditive ANSI S12.6 (S3.19) et
- protection des voies respiratoires NIOSH/OSHA.

SYMBOLES

L'étiquette apposée sur votre outil peut comprendre les symboles suivants. Les symboles et leurs définitions sont indiqués ci-après :

V.....volts	Aampères
Hzhertz	Wwatts
min.....minutes	~courant alternatif
==courant continu	n _ovitesse à vide
ⓄConstruction de classe I (mis à la terre)	Ⓢborne de terre
ⓂConstruction de classe II (à double isolation)	▲symbole d'alerte à la sécurité
BPM.....coups par minute	.../minrotations ou alternance par minute
	RPM.....rotations par minute

CONSERVER CES DIRECTIVES MOTEUR

S'assurer que le bloc d'alimentation est compatible avec l'inscription de la plaque signalétique. L'inscription « 120 volts c.a. » signifie que la scie peut fonctionner tant avec du courant alternatif. Une baisse de tension d'aussi peu que 10 % peut provoquer une perte de puissance et occasionner une surchauffe. Tous les outils Porter-Cable sont testés en usine; si cet outil ne fonctionne pas, vérifier l'alimentation électrique.

▲AVERTISSEMENT : le régime nominal des accessoires doit au minimum égaler la vitesse recommandée sur l'étiquette d'avertissement de l'outil. Les accessoires fonctionnant à un régime plus élevé que celui pour lequel ils ont été conçus peuvent être projetés et entraîner des blessures. Le régime nominal des accessoires doit toujours se situer au-dessus de la vitesse de l'outil, tel qu'indiqué sur la plaque signalétique de l'outil.

▲AVERTISSEMENT : Pour réduire le risque de blessures, éteindre l'appareil et le débrancher avant d'installer ou de retirer tout accessoire et avant d'effectuer des réglages ou des réparations. Un démarrage accidentel peut provoquer des blessures.

▲ATTENTION : Éviter tout contact avec les dents de la lame pour éviter des blessures corporelles.

FONCTIONNEMENT

SÉLECTION DE LA LAME

Votre scie circulaire Porter-Cable est conçue pour être utilisée avec des lames de 114,3 mm (4-1/2 po) de diamètre munies d'un moyeu de 9,5 mm (3/8 po) de diamètre. Les lames doivent être conçues pour fonctionner à 4500 tours par minute au minimum.

Votre scie est livrée avec une lame universelle qui est excellente pour les travaux de refente et les coupes transversales habituels. Pour les coupes transversales nécessitant une bonne finition, une lame à bord fin est recommandée. De plus, il est conseillé d'utiliser une lame à dents fines pour le contre-plaqué et la masonite. Des lames spéciales sont disponibles pour le plexiglass et les matériaux difficiles tels que les sandwiches métalliques et la tôle d'acier d'épaisseur standard. **NE PAS** utiliser de meules abrasives.

DÉPOSE DE LA LAME

▲AVERTISSEMENT : Pour réduire le risque de blessures, éteindre l'appareil et le débrancher avant d'installer ou de retirer tout accessoire et avant d'effectuer des réglages ou des réparations. Un démarrage accidentel peut provoquer des blessures.

▲AVERTISSEMENT : Éviter tout contact avec les dents de la lame pour éviter des blessures corporelles.

Pour enlever la lame, mettez les dents de la lame contre le bord d'une planche et desserrez la vis de retenue de la lame en tournant en sens anti-horaire à l'aide de la clé fournie. Enlevez la vis de retenue et la rondelle à collerette extérieure. Maintenez le protège-lame inférieur en position ouverte et enlevez la lame. Avant de monter une nouvelle lame, ôtez la rondelle à collerette intérieure et essuyez-la pour la nettoyer. Enlevez également le bran de scie qui s'est accumulé à l'intérieur des capots, autour de l'arbre de lame et sur le ressort du protège-lame inférieur. Vérifiez que le protège-lame inférieur est en bon état de fonctionnement.

▲ATTENTION : Si le mouvement du protège-lame inférieur est lent ou s'il se produit un coincement, renvoyez votre scie à votre STATION SERVICE PORTER-CABLE ou votre CENTRE DE SERVICE PORTER-CABLE AGRÉÉ le plus proche pour réparation. N'utilisez JAMAIS votre scie si le protège-lame inférieur n'est pas en état de fonctionner.

Nettoyez et remontez la rondelle à collerette extérieure en vous assurant que le trou carré se marie avec le bout carré de l'arbre de la scie. Mettez la rondelle à collerette intérieure et la nouvelle lame sur l'arbre en vous assurant que les dents pointent vers le HAUT sur le devant de la scie. Vissez et serrez fermement la vis de retenue de la lame.

MONTAGE DES LAMES POUR PLEXIGLASS

▲AVERTISSEMENT : Pour réduire le risque de blessures, éteindre l'appareil et le débrancher avant d'installer ou de retirer tout accessoire et avant d'effectuer des réglages ou des réparations. Un démarrage accidentel peut provoquer des blessures.

▲AVERTISSEMENT : Éviter tout contact avec les dents de la lame pour éviter des blessures corporelles.

Employez la procédure d'installation suivante SEULEMENT pour le découpage plexiglass. Installez une lame spéciale de plexiglass-découpage avec les dents se dirigeant "VERS LE BAS" à l'avant de la scie.

LAME

▲AVERTISSEMENT : Pour minimiser le risque de blessure aux yeux, toujours porter une protection oculaire conforme à la norme ANSI Z87.1. Le carbure est un matériel dur mais fragile et les matiè-res étrangères présentes dans la pièce, comme des fils ou des clous, peuvent fendre ou briser les pointes. Utiliser la scie uniquement avec le protège-lame adéquat en place. Bien assembler et fixer la lame dans la bonne position de rotation avant son utilisation. Toujours utiliser une lame propre et bien affûtée.

▲AVERTISSEMENT : NE JAMAIS couper des métaux ferreux (à teneur de fer ou d'acier), de la maçonnerie, du verre ou des carreaux avec cette scie. La scie risquerait d'être endommagée et il pourrait en résulter des blessures corporelles.

Une lame émoussée produira des coupes inefficaces, surchargera le moteur, engendrera une quantité excessive d'éclats de bois et augmentera le risque d'effet de rebond. Changer les lames lorsque la scie devient difficile à pousser durant la coupe, lorsque le moteur force trop ou si la lame montre une accumulation excessive de chaleur. C'est une bonne pratique de conserver des lames de rechange à la portée de la main afin de toujours avoir des lames affûtées pour un usage immédiat. Les lames émoussées peuvent être affûtées un peu partout; consulter la rubrique « SCIES-AFFÛTAGE » dans les pages jaunes. La gomme durcie sur la lame peut être enlevée à l'aide de kérosène, de térbénthine ou de nettoyant à four. Les lames à revêtement anti-adhésif peuvent être utilisées pour des applications pouvant comporter des accumulations excessives, comme le bois d'œuvre vert ou traité sous pression.

PROTÈGE-LAME INFÉRIEUR

▲AVERTISSEMENT : Le protège-lame inférieur est un dispositif de sécurité qui réduit le risque de blessures corporelles graves. Ne jamais utiliser la scie lorsque le protège-lame inférieur est manquant, endommagé, mal assemblé ou en mauvais état de fonctionnement. Ne pas se fier au protège-lame inférieur pour se protéger en toutes circonstances. Pour assurer sa propre sécurité, respecter tous les avertissements et les mesures de précaution et utiliser correctement la scie. Vérifier le protège-lame inférieur avant chaque utilisation afin de s'assurer qu'il se ferme correctement tel que décrit sous la rubrique « Règles de sécurité supplémentaires pour les scies circulaires ». En cas d'absence ou d'un mauvais fonctionnement du protège-lame, faire réparer la scie avant son utilisation. Pour garantir la sécurité et la fiabilité du produit, confier les réparations, l'entretien et le réglage à un centre de réparation autorisé Porter-Cable ou à tout autre centre de réparation professionnel. On ne doit utiliser que des pièces de rechange identiques.

RÉGLAGE DE LA PROFONDEUR DE COUPE POUR UNE COUPE NORMALE

▲AVERTISSEMENT : Pour réduire le risque de blessures, éteindre l'appareil et le débrancher avant d'installer ou de retirer tout accessoire et avant d'effectuer des réglages ou des réparations. Un démarrage accidentel peut provoquer des blessures.

Desserrez la poignée de réglage de profondeur (A) Fig. 1, et élevez ou abaissez le corps de la scie jusqu'à ce que la lame dépasse de la base comme souhaité. Les meilleurs résultats s'obtiennent quand la lame dépasse tout juste du matériau à scier. Serrez la poignée fermement pour fixer la scie à la position choisie.

RÉGLAGE POUR COUPES EN BISEAU

▲AVERTISSEMENT : Pour réduire le risque de blessures, éteindre l'appareil et le débrancher avant d'installer ou de retirer tout accessoire et avant d'effectuer des réglages ou des réparations. Un démarrage accidentel peut provoquer des blessures.

Desserrez les poignées avant (A) Fig. 2 et arrière (B) Fig. 2 de réglage du biseau. Inclinez le corps de la scie à l'angle désiré en plaçant la graduation (D) (se trouvant sur le secteur gradué) en face du trait (C) Fig. 3 situé sur la patte de réglage de profondeur. Serrez les poignées fermement pour fixer la scie dans la position choisie.

MONTAGE DU PARE-ÉCLATS

▲AVERTISSEMENT : Pour réduire le risque de blessures, éteindre l'appareil et le débrancher avant d'installer ou de retirer tout accessoire et avant d'effectuer des réglages ou des réparations. Un démarrage accidentel peut provoquer des blessures.

Le pare-éclats s'utilise pour réduire l'écaillage et l'éclatement des fibres supérieures sur le contre-plaqué et les panneaux décoratifs lors de l'utilisation d'une lame à dents fines. Quand le pare-éclats est utilisé, il n'est pas nécessaire de mettre le bon côté (côté vu) en dessous lors du sciage.

NOTE: Ce pare-éclats ne peut pas etre utilise pour faire des coupes en biseau.

Réglez la scie à la profondeur de coupe minimale. Mettez la fente du pare-éclats autour du goujon à l'avant de la semelle de la scie comme indiqué à la Fig. 4. Mettez la rondelle plate et l'écrou moleté sur le goujon mais ne serrez pas tout de suite. Réglez la profondeur de coupe à la position souhaitée et positionnez le pare-éclats de manière à ce que la lame de scie soit centrée dans la fente du pare-éclats. Serrez fermement l'écrou moleté.

INDICATEUR DE LIGNE DE COUPE

▲AVERTISSEMENT : Pour réduire le risque de blessures, éteindre l'appareil et le débrancher avant d'installer ou de retirer tout accessoire et avant d'effectuer des réglages ou des réparations. Un démarrage accidentel peut provoquer des blessures.

La semelle est munie à sa partie avant d'une fente, Fig. 7 pour aider à suivre le trait de coupe tracé sur la pièce à scier. Le bord gauche de la fente est repéré « 45° » et s'utilise pour suivre le trait lors des coupes en biseau à 45°. Le côté droit de la fente est repéré « 0 » et s'utilise pour suivre le trait pour des coupes d'équerre.

MONTAGE DU GUIDE DE REFENTE

▲AVERTISSEMENT : Pour réduire le risque de blessures, éteindre l'appareil et le débrancher avant d'installer ou de retirer tout accessoire et avant d'effectuer des réglages ou des réparations. Un démarrage accidentel peut provoquer des blessures.

Réglez la scie à la profondeur de coupe minimale et mettez la fente du guide de refente sur le goujon à l'avant de la semelle de la scie comme indiqué à la Fig. 5. Mettez la rondelle plate et l'écrou moleté sur le goujon (ne serrez pas). Réglez le guide à la largeur de coupe souhaitée en tenant compte de l'épaisseur de la lame de scie et de son avoyage. Serrez fermement l'écrou moleté.

MODE D'UTILISATION DE LA SCIE

▲AVERTISSEMENT : Si le protège-lame plie ou devient mou, retourner la scie au centre de réparation autorisé Porter-Cable le plus près.

▲AVERTISSEMENT : Pour optimiser la protection, utiliser les deux mains pour tenir cette puissante scie et en assurer une maîtrise efficace. Bien soutenir la pièce et tenir fermement la scie pour éviter toute perte de maîtrise pouvant causer des blessures. Consulter la figure 6 pour connaître la bonne façon de tenir la scie.

▲AVERTISSEMENT : Demeurer vigilant et tenir fermement la scie. Relâcher immédiatement la détente si la lame se coince ou si la scie cale. Maintenir la lame affûtée. Bien soutenir les panneaux (fig. 11). Utiliser un guide longitudinal ou à bord droit lors de sciage en long. NE PAS forcer l'outil. NE PAS retirer la scie de la pièce lorsque la lame tourne.

▲AVERTISSEMENT : pour aider à réduire le risque de blessures corporelles, toujours fixer la pièce. Ne jamais tenter de tenir les planches courtes avec les mains! Ne pas oublier de bien soutenir les pièces en saillie et en porte-à-faux. Prendre les mesures de précaution nécessaires lors de la coupe de matériau à partir du dessous.

▲AVERTISSEMENT : s'assurer que la scie tourne à plein régime avant de placer la lame sur la pièce à couper, car on peut engendrer un rebond et des blessures corporelles si on démarre la scie alors que la lame touche la pièce ou que la lame est poussée dans un trait de scie.

▲ATTENTION : Ne pas utiliser l'outil s'il est alimenté par du courant pour lequel la tension ne correspond pas aux limites correctes. Ne pas alimenter en c.c. des outils prévus pour une alimentation en c.a. seulement. Un tel branchement pourrait endommager gravement l'outil.

EFFET DE REBOND

Si la lame est pincée ou tordue lors de la coupe, un effet de rebond peut se produire. La scie est rapidement poussée vers l'opérateur. Lorsque la lame est pincée ou étroitement coincée par la fermeture du trait de scie, elle cale et le moteur renvoie rapidement l'outil vers l'arrière. Si la lame est tordue ou mal alignée dans le trait de scie, les dents situées sur l'arête arrière de la lame peuvent mordre dans la surface supérieure du bois et entraîner une escalade de la lame hors du trait de scie et la faire sauter en arrière, vers l'opérateur. Un effet de rebond est plus enclin à se produire si l'une ou l'autre des conditions suivantes est présente.

1. SUPPORT DE PIÈCE INADÉQUAT

A. Un affaissement ou un soulèvement inadéquat de la pièce coupée peut causer un pincement de la lame et entraîner un effet de rebond.

B. La coupe d'un matériau soutenu uniquement aux extrémités peut causer un effet de rebond. L'affaiblissement d'un matériau le fait s'affaisser, fermant ainsi le trait de scie, ce qui provoque le pincement de la lame.

C. La coupe du bas vers le haut, à la verticale, de matériau en saillie ou en porte-à-faux peut provoquer un effet de rebond. La pièce coupée qui tombe peut pincer la lame.

D. La coupe de longues bandes étroites (comme dans le sciage en long) peut provoquer un effet de rebond. La bande coupée peut s'affaisser ou se tordre et ainsi fermer le trait de scie, causant un pincement de la lame.

E. L'accrochage du protège-lame inférieur à une surface située au-dessous du matériau en cours de coupe peut réduire momentanément la maîtrise de l'opérateur. La scie peut se soulever partiellement hors de la coupe et accroître les chances de torsion de lame.

2. RÉGLAGE INADÉQUAT DE LA PROFONDEUR DE COUPE DE LA SCIE

Pour réaliser une coupe efficace, la lame doit tout juste faire saillie, suffisamment pour exposer la moitié d'une dent. Cela permet au patin de soutenir la lame et de réduire la torsion et le pincement du matériau. Consulter la rubrique intitulée « Réglage de la profondeur de coupe ».

3. TORSION DE LA LAME (MAUVAIS ALIGNEMENT DANS LA COUPE)

A. Pousser fortement la lame pour couper un nœud, un clou ou une zone à grain dur peut faire tordre la lame.

B. Tenter de réorienter la scie durant une coupe (essayer de revenir au trait inscrit) peut faire tordre la lame.

C. Tendre les bras au moment de faire fonctionner la scie ou présenter une perte d'équilibre peut faire tordre la lame.

D. Changer la position des mains ou du corps au moment de couper peut entraîner une torsion de la lame.

E. Reculer la scie pour libérer la lame peut la tordre si ce n'est fait soigneusement.

4. MATÉRIAUX QUI DEMANDENT UNE ATTENTION PARTICULIÈRE

A. Bois d'œuvre mouillé

B. Bois d'œuvre vert (matériau fraîchement coupé ou non séché au séchoir)

C. Bois d'œuvre traité sous pression (matériau traité avec des produits de conservation du bois ou des produits chimiques imputrescibles)

5. UTILISATION DE LAMES ÉMOUSSÉES OU SALES

Les lames émoussées peuvent augmenter la charge sur la scie. Pour compenser, l'opérateur poussera habituellement davantage la scie, ce qui la chargera encore plus et favorisera une torsion de la lame dans le trait de scie. Les lames usées peuvent aussi présenter un dégagement insuffisant, ce qui augmente le risque de coincement et de charge excessive.

6. SOULEVER LA SCIE AU MOMENT D'EFFECTUER UNE COUPE EN BISEAU

La scie en biseau demandent une attention spéciale de la part de l'opérateur afin qu'il utilise les techniques de coupe appropriées, surtout en ce qui a trait à l'orientation de la scie. Tant l'angle de la lame par rapport au patin que la surface accrue de la lame dans le matériau augmentent le risque de coincement et mauvais alignement (torsion).

7. PRENDRE UNE COUPE LORSQUE LES DENTS DE LA LAME SONT COINCÉES DANS LE MATÉRIAU

La scie doit fonctionner à plein régime avant d'entamer une coupe ou de reprendre une coupe après l'arrêt de l'outil lorsque la lame était dans le trait de scie. Le non-respect de cette procédure peut provoquer le calage de la scie ou un effet de rebond.

Toute autre condition, qui provoquerait un pincement, un coincement, une torsion ou un mauvais alignement de la lame, risque de se solder par un rebond. Se reporter aux rubriques « Réglages et configuration » et « Fonctionnement » pour connaître les procédures et les techniques qui minimisent l'effet de rebond.

SCIAGES EN TRAVERS ET EN BISEAU

▲AVERTISSEMENT : Pour réduire le risque de blessures, éteindre l'appareil et le débrancher avant d'installer ou de retirer tout accessoire et avant d'effectuer des réglages ou des réparations. Un démarrage accidentel peut provoquer des blessures.

▲AVERTISSEMENT : Utilisez le levier (A) Fig. 12 placé sur le protège-lame inférieur lorsque vous devez rétracter le protège-lame inférieur manuellement.

La pièce à scier doit être bien supportée sur un établi solide, des tréteaux ou tout autre support rigide et elle doit être fixée fermement avec le bout à scier dépassant à la droite du support. La zone en dessous du trait de coupe doit être dégagée pour éviter toute interférence avec la portion de la lame qui dépasse sous la pièce.

Mettez le bord avant de la semelle de la scie bien à plat sur la pièce tout en en maintenant la pointe de la lame éloignée. Appuyez sur la gâchette et attendez que le moteur de la scie tourne à plein régime. Maintenez la fente située à l'avant de la semelle à une distance constante du trait de scie et faites avancer la scie régulièrement. Ne forcez pas sur la scie. À la fin du sciage, relâchez la gâchette.

Les coupes en biseau s'effectuent de la même manière que celles en travers, sauf que la semelle de la scie est inclinée à l'angle désiré. Un rapporteur d'angles est disponible en accessoire pour faciliter le sciage des angles composés comme indiqué à la Fig. 9. Ce rapporteur peut aussi être utile pour les coupes en travers.

REFENTE

La coupe de bois sur le long est désignée sous le nom de refente. Cette opération est réalisée de la même manière que la coupe transversale, sauf que l'ouvrage à couper doit être supporté. Si l'ouvrage est supporté sur une grande table, sur un établi ou sur le plancher, plusieurs pièces de bois de rebut d'environ un pouce d'épaisseur doivent être placées sous l'ouvrage pour dégager la partie de la lame de scie qui fait saillie à travers l'ouvrage. De grandes feuilles de panneaux ou de contreplaqué mince supportées sur un chevalet de scieur doivent avoir des 2 x 4 placés sur le long entre le chevalet et l'ouvrage, pour l'empêcher de s'affaisser au centre.

Pour les coupes de refente étroites, le guide de refente (A) Fig. 10, offert en accessoire, peut être utilisé. La scie est guidée en maintenant la face intérieure du guide de refente (B) Fig. 10, fermement contre le bord de la planche.

SCIAGE DE PANNEAUX

Pour couper des pièces larges, comme par exemple des panneaux de contre-plaqué ou des grandes feuilles, un règle de guidage en bois peut se révéler utile. Le règle doit être bridé ou pointé sur la pièce suffisamment loin du trait de coupe pour pouvoir être utilisé comme guide pour le bord gauche de la semelle comme indiqué à la Fig. 11. Le règle doit être positionné en tenant compte de la distance entre le bord gauche de la semelle et la lame pour que le sciage s'effectue à la position désirée. Le règle doit dépasser des deux côtés du matériau à scier.

▲ATTENTION : Appuyer la pièce à couper sur un morceau de 2 x 4 po (50 x 101 mm) ou de déchet de découpe pour dégager un espace pour le passage de la lame sous la pièce ainsi qu'offrir une surface de travail plus ferme.

COUPES EN POCHE (COUPE EN PLONGÉE)

▲AVERTISSEMENT : utiliser le levier (A), fig. 12, logé sur le protège-lame inférieur lorsqu'il faut l'escamoter manuellement.

▲ATTENTION : Maintenez vos mains et doigts partis de la lame.

▲ATTENTION : Laissez la scie venir à un arrêt complet avant de l'enlever de l'objet.

Une découpe en poche débute au milieu de la pièce et non sur le bord. Déligner nettement la zone à découper sur tous les côtés. Débuter près d'un coin d'un côté. Placer fermement le bord avant de la semelle de la scie contre la pièce. Dégager lame en levant la partie arrière de la scie vers le haut. Régler la lame correctement pour la profondeur de coupe. Pou un résultat optimal, régler la lame de sorte qu'elle dépasse à peine l'épaisseur de la pièce. Pour exposer la lame, amener le levier télescopique du pare-main complètement vers l'avant (figure 12). Être très attentif et éviter de toucher la lame. Démarrer le moteur et abaisser la lame sur la pièce. Une fois que la lame a traversé la pièce et que la semelle repose à plat sur celle-ci, suivre la ligne à couper jusqu'au prochain coin. Utiliser une scie à guichet ou scie sauteuse pour couper les coins.

GUIDE DE DEPANNAGE

Pour obtenir de l'aide au sujet de l'outil, consulter notre site Web www.deltaportercable.com pour obtenir une liste des centres de réparation ou composer le (888) 848-5175 pour le service à la clientèle de Porter-Cable.

ENTRETIEN

▲AVERTISSEMENT : pour réduire le risque de blessures corporelles graves, éteindre l'outil et le débrancher avant d'installer et de retirer tout accessoire, avant d'ajuster ou de modifier les réglages ou lors de réparations. Un démarrage accidentel peut provoquer des blessures.

▲AVERTISSEMENT : TOUJOURS PORTER DES LUNETTES DE SÉCURITÉ. Les lunettes ordinaires ne constituent PAS des lunettes de sécurité. Utiliser également un masque facial ou antipoussière si l'opération de découpe génère de la poussière. TOUJOURS porter un équipement de protection homologué :

- protection oculaire conforme à la norme ANSI Z87.1 (CAN/CSA Z94.3);
- protection auditive conforme à la norme ANSI S12.6 (S3.19);
- protection des voies respiratoires conforme aux normes NIOSH/OSHA.

RÉPARATIONS

Pour obtenir de l'aide au sujet de l'outil, consulter notre site Web www.deltaportercable.com pour obtenir une liste des centres de réparation ou composer le (888) 848-5175 pour le service à la clientèle de Porter-Cable.

NETTOYAGE

▲AVERTISSEMENT : Nous recommandons de suivre une procédure d'entretien, à savoir, d'enlever périodiquement la poussière et les éclats du carter de moteur à l'aide d'air comprimé sec et propre. Pour réduire le risque de blessures corporelles graves, TOUJOURS porter des lunettes de sécurité ANSI Z87.1 au moment d'utiliser l'air comprimé.

▲AVERTISSEMENT : Lors du nettoyage des pièces de plastique, utiliser uniquement du savon doux et un chiffon humide. Bon nombre de nettoyants domestiques renferment des produits chimiques pouvant grandement endommager le plastique. En outre, ne pas utiliser d'essence, de térébenthine, de diluant à peinture ou à laque, de liquides pour nettoyage à sec ou tout autre produit semblable qui pourrait endommager gravement les composants en plastique. Ne jamais laisser de liquide pénétrer dans l'outil et NE JAMAIS immerger aucune partie de l'outil dans un liquide.

DÉMARRAGE IMPOSSIBLE

Si l'outil ne démarre pas, s'assurer que les lames de la fiche du cordon d'alimentation sont bien enfoncées dans la prise de courant. Vérifier également que les fusibles ne sont pas grillés ou que le disjoncteur ne s'est pas déclenché.

LUBRIFICATION

▲AVERTISSEMENT : **pour réduire le risque de blessures corporelles graves, éteindre l'outil et le débrancher avant d'installer et de retirer tout accessoire, avant d'ajuster ou de modifier les réglages ou lors de réparations.** Un démarrage accidentel peut provoquer des blessures.

Bien que tous les outils Porter-Cable soient lubrifiés avec soin en usine avec une quantité suffisante de lubrifiant de haute qualité, il est recommandé de vérifier le niveau d'huile dans le carter du réducteur à engrenages avant d'utiliser la scie et ensuite périodiquement comme suit

- Enlevez la lame pour éviter de la toucher par accident lors de la vérification du niveau d'huile.
- Réglez la scie pour la profondeur de coupe maximale et un angle de coupe à 45°. Serrez fermement toutes les poignées.
- Démarrez la scie et laissez la tourner pendant environ deux minutes.
- Desserrez le bouchon de vidange (A) Fig. 12 avec la clé fournie.
- Enlevez le bouchon de vidange et le joint. Mettez la scie sur une surface plane de sorte qu'elle repose sur les points (A) et (B) comme indiqué à la Fig. 13.
- Le lubrifiant dans le carter doit être au niveau du bas du trou (C) sans couler. Si cette condition n'est pas remplie, ajoutez une petite quantité du lubrifiant (huile de boîte de poids 90) fourni avec votre scie jusqu'à ce que le niveau soit à ras du bord du trou.
- REMARQUE : NE REMPLISSEZ PAS TROP** car la surpression créée par le pompage dû à la rotation des engrenages pourrait forcer le lubrifiant à passer par les joints et à pénétrer dans le boîtier du moteur, risquant d'endommager celui-ci.
- Remontez le bouchon de vidange et le joint.
- Remplacez la lame de scie.

INSPECTION DE LA BROSSE (le cas échéant)

Pour votre propre sécurité et une bonne protection électrique, l'inspection et le remplacement de la brosse de l'outil doivent être exécutés UNIQUEMENT à un CENTRE DE RÉPARATION AUTORISÉ ou un CENTRE DE RÉPARATION DE L'USINE DE PORTER-CABLE.

Après 100 heures environ d'utilisation, apporter ou envoyer l'outil au centre de réparation autorisé Porter-Cable le plus proche pour un nettoyage et une inspection approfondis. Faire remplacer les pièces usées et lubrifier avec un lubrifiant neuf. Faire installer de nouvelles brosses et tester le rendement de l'outil.

Toute perte de puissance avant ce point d'entretien pourrait indiquer la nécessité d'un entretien immédiat de l'outil. NE PAS FAIRE FONCTIONNER L'OUTIL DANS CET ÉTAT. Si le problème persiste en présence d'une tension normale, retourner l'outil à un centre de réparation pour un entretien immédiat.

▲AVERTISSEMENT : pour réduire le risque de blessures, NE PAS ATTACHER, NI COLLER, NI VERROUILLER D'UNE AUTRE MANIÈRE LA DÉTENTE durant le fonctionnement de la scie. NE LA TENIR QU'À LA MAIN.

SERVICE

PIÈCES DE RECHANGE

Utiliser seulement des pièces de rechange identiques. Pour obtenir une liste des pièces de rechange ou pour en commander, consulter notre site Web au **www.deltaportercableservicenet.com**. Commander aussi des pièces auprès d'une succursale d'usine, ou composer le (888) 848-5175 pour le service à la clientèle.

ENTRETIEN ET RÉPARATION

Tous les outils de qualité finissent par demander un entretien ou un changement de pièce. Pour de plus amples renseignements à propos de Porter-Cable, ses succursales d'usine ou un centre de réparation sous garantie autorisé, consulter notre site Web au www.deltaportercable.com ou composer le (888) 848-5175 pour le service à la clientèle. Toutes les réparations effectuées dans nos centres de réparation sont entièrement garanties contre les défauts de matériaux et de main-d'œuvre. Nous ne pouvons garantir les réparations effectuées en partie ou totalement par d'autres.

Pour de plus amples renseignements par courrier, écrire à PORTER-CABLE, 4825 Highway 45 North, Jackson, Tennessee 38305, É.-U. – à l'attention de : Product Service. S'assurer d'indiquer toutes les informations figurant sur la plaque signalétique de l'outil (numéro du modèle, type, numéro de série, etc.).

ACCESSOIRES

▲AVERTISSEMENT : Puisque les accessoires autres que ceux offerts par Porter-Cable n'ont pas été testés avec ce produit, l'utilisation de ceux-ci pourrait s'avérer dangereus. Pour un fonctionnement en toute sécurité, utiliser seulement les accessoires recommandés Porter-Cable/Delta avec le produit.

▲AVERTISSEMENT : NE PAS UTILISER DES ACCESSOIRES À L'EAU AVEC CETTE SCIE.

▲AVERTISSEMENT : EXAMINER VISUELLEMENT LES LAMES AU CARBURE AVANT TOUTE UTILISATION. LES REMPLACER SI ELLES SONT ENDOMMAGÉES.

Une gamme complète d'accessoires est disponible auprès de votre fournisseur Porter-Cable*Delta, centres de réparation de l'usine Porter-Cable*Delta et centres de réparation agréés Porter-Cable. Veuillez consulter le site Web www.deltaportercable.com pour un catalogue ou le nom du fournisseur le plus près de chez vous.

GARANTIE

Pour enregistrer l'outil en vue d'obtenir un service de garantie, consulter notre site Web au www.deltaportercable.com.

GARANTIE LIMITÉE D'UN AN DE PORTER-CABLE : Porter-Cable garantit les outils électriques professionnels pour une période de un (1) an à partir de la date d'achat d'origine. Après analyse, nous réparerons ou remplacerons, à notre discrétion, toute(s) pièce(s) du produit et accessoires couverts en vertu de la présente garantie présentant un défaut de fabrication ou de matériel au cours de la période de garantie. Pour toute réparation ou remplacement, retourner l'outil ou l'accessoire complet au centre de réparation Porter-Cable ou un centre de réparation agréé, port repayé. Une preuve d'achat peut être requise. La présente garantie ne s'applique pas aux réparations ou remplacements suite à la mauvaise utilisation, l'abus, l'usure normale, aux tentatives de réparations ou réparations effectuées par d'autre qu'un de nos centres de réparation ou centres de réparations agréés.

TOUTE GARANTIE IMPLICITE Y COMPRIS TOUTE GARANTIE DE QUALITÉ MARCHANDE ET D'ADÉQUATION À UN USAGE PARTICULIER DURERA SEULEMENT UN (1) AN À PARTIR DE LA DATE D'ACHAT. Pour des renseignements à propos du rendement de la garantie, veuillez écrire à : PORTER-CABLE, 4825 Highway 45 North, Jackson, Tennessee, É.-U. 38305 – à l'attention de : Product Service. LES DISPOSITIONS PRÉCÉDENTES, DE LA PRÉSENTE GARANTIE OU DE TOUTE GARANTIE IMPLICITE, REPRÉSENTENT LA SEULE RESPONSABILITÉ DE PORTER-CABLE ET EN AUCUNE CIRCONSTANCE, PORTER-CABLE NE POURRAIT ÊTRE TENU RESPONSABLE DES DOMMAGES ACCESSOIRES OU INDIRECTES. Certains états n'autorisent pas les restrictions sur la durée d'une garantie implicite ni l'exclusion ou la restriction des dommages accessoires ou indirects, auquel cas les exclusions et restrictions du présent document pourraient ne pas être applicables. Cette garantie vous accorde des droits légaux spécifiques et vous pourriez avoir d'autres droits légaux qui varient d'un état ou d'une province à l'autre.

REMPACEMENT GRATUIT DE L'ÉTIQUETTE

Si les étiquettes d'avertissement deviennent illisibles ou sont manquantes, composer le (888) 848-5175 pour en obtenir le remplacement gratuit.



PAUTAS DE SEGURIDAD/DEFINICIONES

▲PELIGRO: Indica una situación de peligro inminente que, si no se evita, **provocará la muerte o lesiones graves**.

▲ADVERTENCIA: Indica una situación de peligro potencial que, si no se evita, **podría provocar la muerte o lesiones graves**.

▲ATENCIÓN: Indica una situación de peligro potencial que, si no se evita, **puede provocar lesiones leves o moderadas**.

▲AVERTISSEMENT Utilizado sin el símbolo de alerta de seguridad indica una situación de peligro potencial que, si no se evita, **puede provocar** daños en la **propiedad**.

Normas Generales de Seguridad

▲ADVERTENCIA: Lea todas las instrucciones. El incumplimiento de todas y cada una de las instrucciones enumeradas a continuación puede provocar una descarga eléctrica, un incendio y/o lesiones graves. El término “herramienta eléctrica” incluido en todas las advertencias enumeradas a continuación hace referencia a su herramienta eléctrica operada con corriente (con cable) o a su herramienta eléctrica operada con baterías (inalámbtrica).

CONSERVE ESTAS INSTRUCCIONES

- Seguridad en el área de trabajo**
 - Mantenga el área de trabajo limpia y bien iluminada.** Las áreas abarrotadas y oscuras propician accidentes.
 - No opere las herramientas eléctricas en atmósferas explosivas, como ambientes donde haya polvo, gases o líquidos inflamables.** Las herramientas eléctricas originan chispas que pueden encender el polvo o los vapores.
 - Mantenga alejados a los niños y a los espectadores de la herramienta eléctrica en funcionamiento.** Las distracciones pueden provocar la pérdida de control.
- Seguridad eléctrica**
 - Los enchufes de las herramientas mecánicas deben coincidir con el tomacorriente. No modifique nunca el enchufe de ningún modo. No use enchufes adaptadores con herramientas mecánicas conectadas a tierra (puestas a tierra).** Los enchufes no modificados y los tomacorrientes coincidentes reducirán el riesgo de sacudidas eléctricas.
 - Evite el contacto corporal con superficies con descarga a tierra tales como tuberías, radiadores, estufas y refrigeradores.** Existe mayor riesgo de descarga eléctrica si su cuerpo está puesto a tierra.
 - No exponga las herramientas eléctricas a la lluvia o a condiciones de humedad.** Si entra agua a una herramienta eléctrica, aumentará el riesgo de descarga eléctrica.
 - No use el cable indebidamente. Nunca utilice el cable para transportar, tirar o desconectar la herramienta eléctrica. Mantenga el cable alejado del calor, el aceite, los bordes filosos o las piezas móviles.** Los cables dañados o enredados aumentan el riesgo de descarga eléctrica. Utilice solamente cables prolongadores de 3 conductores que tengan enchufes a tierra de 3 patas y receptáculos tripolares que se adapten al enchufe de la herramienta.
 - Al operar una herramienta eléctrica en el exterior, utilice un cable prolongador adecuado para tal uso.** Si el cable prolongador se va a utilizar en el exterior, debe tener la marca W-A o W de acuerdo con la designación del tipo del cable. Utilice un cable adecuado para uso en exteriores a fin de reducir el riesgo de descarga eléctrica. Cuando utilice un cable prolongador, asegúrese de que tenga la capacidad para conducir la corriente que su producto exige. Un cable de menor capacidad provocará una disminución en el voltaje de la línea, lo cual producirá una pérdida de potencia y sobrecalentamiento. La siguiente tabla muestra la medida correcta que debe utilizar según la longitud del cable y la capacidad nominal en amperes indicada en la placa. En caso de duda, utilice el calibre inmediatamente superior. Cuanto menor sea el número de calibre, más grueso será el cable.

Tamaño mínimo recomendado del conductor para los cables de extensión				
Volts	Longitud total del cable			
120V	0-25 pi	26-50 pi	51-100 pi	101-150 pi
	0-7.6 m	7.6 m - 15.2 m	15.2 m - 30.5 m	30.5 m - 45.7 m
Amperes	Tamaño AWG del conductor			
A partir 12 a 16 amperes	14	12	not recommended	

- Seguridad personal**
 - Permanezca alerta, controle lo que está haciendo y utilice el sentido común cuando emplee una herramienta eléctrica. No utilice una herramienta eléctrica si está cansado o bajo el efecto de drogas, alcohol o medicamentos.** Un momento de descuido mientras se opera una herramienta eléctrica podría provocar lesiones personales graves.
 - Use equipo de seguridad. Siempre utilice protección para los ojos.** El uso del equipo de seguridad, como las máscaras para polvo, el calzado de seguridad antideslizante, los cascos o la protección auditiva, en las condiciones adecuadas reducirá las lesiones personales.
 - Evite el incendio accidental. Asegúrese de que el interruptor esté en la posición de apagado antes de enchufar la herramienta.** Transportar herramientas eléctricas con su dedo apoyado sobre el interruptor o enchufar herramientas eléctricas con el interruptor en la posición de encendido puede propiciar accidentes.
 - Retire la clavija de ajuste o la llave de tuercas antes de encender la herramienta eléctrica.** Una llave de tuercas o una clavija de ajuste que quede conectada a una pieza giratoria de la herramienta eléctrica puede provocar lesiones personales.
 - No se estire. Conserve el equilibrio y párese adecuadamente en todo momento.** Esto permite un mejor control de la herramienta eléctrica en situaciones inesperadas.
 - Use vestimenta adecuada. No use ropas holgadas o joyas. Mantenga el cabello, la ropa y los guantes alejados de las piezas en movimiento.** Las ropas holgadas, las joyas o el cabello largo pueden quedar atrapados en las piezas móviles.
 - Si se suministran dispositivos para la conexión de accesorios con fines de recolección y extracción de polvo, asegúrese de que estén conectados y que se utilicen correctamente. El uso de estos dispositivos puede reducir los peligros relacionados con el polvo.** Los accesorios que pueden ser aptos para una herramienta, pueden convertirse en un factor de riesgo cuando se utilizan en otra herramienta.
- Uso y mantenimiento de la herramienta eléctrica**
 - No fuerce la herramienta eléctrica. Utilice la herramienta eléctrica correcta para el trabajo que realizará.** Si se la utiliza a la velocidad para la que fue diseñada, la herramienta eléctrica correcta permite trabajar mejor y de manera más segura.
 - No utilice la herramienta eléctrica si no puede encenderla o apagarla con el interruptor.** Toda herramienta eléctrica que no pueda ser controlada mediante el interruptor es peligrosa y debe repararse.
 - Desconecte el enchufe de la fuente de energía antes de realizar ajustes, cambiar accesorios o guardar las herramientas eléctricas.** Estas medidas de seguridad preventivas reducen el riesgo de encender la herramienta eléctrica en forma accidental.
 - Guarde las herramientas eléctricas que no están en uso fuera del alcance de los niños y no permita que otras personas no familiarizadas con ella o con estas instrucciones operen la herramienta.** Las herramientas eléctricas son peligrosas si son operadas por usuarios no capacitados.

- Realice el mantenimiento de las herramientas eléctricas. Revise que no haya piezas en movimiento mal alineadas o trabadas, piezas rotas o cualquier otra situación que pueda afectar el funcionamiento de las herramientas eléctricas. Si encuentra daños, haga reparar la herramienta eléctrica antes de utilizarla.** Se producen muchos accidentes a causa de las herramientas eléctricas que carecen de un mantenimiento adecuado.
 - Mantenga las herramientas de corte afiladas y limpias.** Las herramientas de corte con mantenimiento adecuado y con los bordes de corte afilados son menos propensas a trabarse y son más fáciles de controlar.
 - Utilice la herramienta eléctrica, los accesorios y las brocas de la herramienta, etc. de acuerdo con estas instrucciones y de la forma prevista para el tipo de herramienta eléctrica en particular, teniendo en cuenta las condiciones de trabajo y el trabajo que debe realizarse.** El uso de la herramienta eléctrica para operaciones diferentes de aquéllas para las que fue diseñada podría originar una situación peligrosa.
- Mantenimiento**
 - Solicite a una persona calificada en reparaciones que realice el mantenimiento de su herramienta eléctrica y que sólo utilice piezas de repuesto idénticas.** Esto garantizará la seguridad de la herramienta eléctrica.

NORMAS DE SEGURIDAD ESPECÍFICAS ADICIONALES

Instrucciones de seguridad para todas las sierras

▲PELIGRO

- Mantenga las manos alejadas del área de corte y de la hoja. Mantenga la segunda mano en el mango auxiliar o en la carcasa del motor.** Si las dos manos están sujetando la sierra, no pueden ser cortadas por la hoja.
- No ponga las manos debajo de la pieza de trabajo.** El protector no puede protegerle de la hoja debajo de la pieza de trabajo.
- Ajuste la profundidad de corte al grosor de la pieza de trabajo.** Menos de un diente completo de los dientes de la hoja debe ser visible debajo de la pieza de trabajo.
- No sujete nunca la pieza que esté cortando en las manos o atravesada sobre una pierna. Sujete firmemente la pieza de trabajo a una plataforma estable.** Es importante soportar apropiadamente la pieza de trabajo para minimizar la exposición del cuerpo, el atasco de la hoja o la pérdida de control.
- Sujete la herramienta mecánica por las superficies de agarre con aislamiento cuando realice una operación en la que la herramienta de corte podría entrar en contacto con cables ocultos o con su propio cable de alimentación.** El contacto con un cable "con corriente" hará que las partes metálicas de la herramienta mecánica que estén al descubierto también "lleven corriente", lo cual causará descargas al operador.
- Cuando corte al hilo, utilice siempre un tope-guía para cortar al hilo o una guía de borde recto.** Esto mejora la precisión del corte y reduce las probabilidades de que la hoja se atasque.
- Utilice siempre hojas que tengan el tamaño correcto y la forma correcta (de diamante frente a redonda) de agujeros para el eje portaherramienta.** Las hojas que no coincidan con los herrajes de montaje de la sierra funcionarán excéntricamente, causando pérdida de control.
- No use nunca arandelas de hoja o un perno de hoja que estén dañados o sean incorrectos.** Las arandelas y el perno de la hoja se diseñaron especialmente para su sierra, con el fin de lograr un rendimiento óptimo y una seguridad óptima de funcionamiento.
- Mantenga el cuerpo de uno u otro lado de la hoja de la sierra, nunca en línea con la misma.** El RETROCESO podría despedir la sierra hacia atrás (vea Causas del retroceso y prevención por parte del operador y RETROCESO).
- ▲ATENCIÓN:** Al apagar la herramienta, las hojas continúan en movimiento por inercia. Puede causar lesiones personales graves.
- Evite los clavos del corte. Examine para y quite todos los clavos de la madera de construcción antes de cortar.**

CAUSAS DEL RETROCESO Y SU PREVENCIÓN POR EL OPERADOR:

- El retroceso es una reacción repentina a una hoja de sierra pellizcada, atascada o desalineada, que hace que una sierra descontrolada se levante y se salga de la pieza de trabajo, hacia el operador.
- Cuando la hoja se pellizca o se atasca fuertemente al cerrarse la sección de corte, la hoja se para y la reacción del motor impulsa la unidad rápidamente hacia atrás, hacia el operador.
- Si la hoja se tuerce o se desalinea en el corte, los dientes ubicados en el borde trasero de la hoja pueden penetrar en la superficie superior de la madera, haciendo que la hoja trepe, se salga de la sección de corte y salte hacia atrás, hacia el operador.

El retroceso es el resultado de un uso inapropiado de la sierra y/o de procedimientos o situaciones de utilización incorrectos y se puede evitar tomando las precauciones apropiadas que se indican a continuación:

- Mantenga un agarre firme con las dos manos en la sierra y posicione los brazos de modo que puedan resistir las fuerzas de retroceso.** Las fuerzas de retroceso pueden ser controladas por el operador, si se toman las precauciones adecuadas.
- Cuando la hoja se esté atascando o cuando se interrumpa un corte por cualquier motivo, suelte el gatillo y sujete la sierra de modo que esté inmóvil en el material hasta que la hoja se detenga por completo. No intente nunca retirar la sierra de la pieza de trabajo ni tirar de la sierra hacia atrás mientras la hoja esté en movimiento o se podría producir retroceso.** Investigue y tome medidas correctivas para eliminar la causa de atasco de la hoja.
- Cuando reanranque una sierra en la pieza de trabajo, centre la hoja de sierra en la sección de corte y asegúrese de que los dientes de la hoja de sierra no estén acoplados en el material.** Si la hoja de sierra se está atascando, podría desplazarse o experimentar retroceso respecto a la pieza de trabajo cuando se arranque la sierra.

d) **Soporte los paneles grandes para minimizar el riesgo de que la hoja se pellizque y se produzca retroceso.** Los paneles grandes tienden a combarse bajo su propio peso. Se deben colocar soportes debajo del panel a ambos lados, cerca de la línea de corte y cerca del borde del panel.

e) **No use hojas desafiladas o dañadas.** Las hojas desafiladas o con triscado inapropiado producen una sección de corte estrecha que causa fricción excesiva, atasco de la hoja y retroceso.

f) **Las palancas de fijación de ajuste de la profundidad y del bisel de la hoja deben estar apretadas y sujetas firmemente antes de realizar el corte.** Si el ajuste de la hoja cambia mientras se realiza el corte, dicho cambio podría causar atasco y retroceso.

g) **Tenga precaución adicional cuando haga un "corte por penetración" en paredes existentes u otras áreas ciegas.** La hoja que sobresale podría cortar objetos que pueden causar retroceso.

INSTRUCCIONES DE SEGURIDAD PARA EL PROTECTOR INFERIOR

a) **Compruebe el protector inferior para verificar si se cierra apropiadamente antes de cada uso. No utilice la sierra si el protector inferior no se mueve libremente y no se cierra instantáneamente. No sujete nunca con abrazaderas ni amarre el protector inferior en la posición abierta.** Si la sierra se cae accidentalmente, el protector inferior se podría doblar. Suba el protector inferior con el mango retráctil y asegúrese de que se mueve libremente y no toca la hoja ni ninguna otra pieza, en todos los ángulos y profundidades de corte.

b) **Compruebe el funcionamiento del resorte del protector inferior. Si el protector y el resorte no están funcionando correctamente, se les debe hacer servicio de ajustes y reparaciones antes de la utilización.** El protector inferior podría funcionar con dificultad debido a que haya piezas dañadas, depósitos gomosos o una acumulación de residuos.

c) **El protector inferior se debe retraer manualmente sólo para realizar cortes especiales, tales como "cortes por penetración" y "cortes compuestos". Suba el protector inferior por el mango retráctil y, en cuanto la hoja entre en el material, se debe soltar el protector inferior.** Para todas las demás operaciones de aserrado, el protector inferior debe funcionar automáticamente.

d) **Asegúrese siempre de que el protector inferior esté cubriendo la hoja antes de dejar la sierra en un banco de trabajo o en el piso.** Una hoja que se esté moviendo por inercia hasta detenerse y no esté protegida hará que la sierra se desplace hacia atrás, cortando todo aquello que esté en su camino. Tenga en cuenta el tiempo que se requiere para que la hoja se detenga después de soltar el interruptor.

▲ADVERTENCIA: Parte del polvo originado al lijar, aserrar, esmerilar, taladrar y otras actividades constructivas contiene químicos que se sabe causan cáncer, defectos congénitos u otros daños reproductivos. Algunos ejemplos de estos químicos son:

- plomo de pinturas con base de plomo.
- sílice cristalino de ladrillos, cemento y otros productos de mampostería.
- arsénico y cromo de madera tratada químicamente (CCA).

Su riesgo a estas exposiciones varía, dependiendo de la frecuencia con que efectúe este tipo de trabajos. Para reducir la exposición a estos productos: trabaje en un área bien ventilada, y utilice equipo de seguridad aprobado, como las mascarillas que están diseñadas especialmente para filtrar partículas microscópicas.

▲ADVERTENCIA: Evite el contacto prolongado con el polvo originado al lijar, aserrar, esmerilar, taladrar y otras actividades constructivas. Vista ropas protectoras y lave las áreas expuestas con jabón y agua. Permitir al polvo introducirse en su boca u ojos, o dejarlo sobre la piel, puede promover la absorción de químicos peligrosos.

▲ADVERTENCIA: La utilización de esta herramienta puede originar polvo o dispersarlo, lo que podría causar daños graves y permanentes al sistema respiratorio, así como otras lesiones. Siempre use protección respiratoria aprobada por NIOSH/OSHA, apropiada para su uso en condiciones de exposición al polvo. Procure que las partículas no se proyecten directamente sobre su rostro o su cuerpo.

▲ADVERTENCIA: SIEMPRE USE ANTEOJOS DE SEGURIDAD. (ANSI Z87.1) or (CAN/CSA Z94.3). Los anteojos de uso diario NO son anteojos de seguridad. Utilice también máscaras faciales o para polvo si el corte produce polvillo. UTILICE SIEMPRE EQUIPO DE SEGURIDAD CERTIFICADO:

- Protección para la vista según la norma ANSI Z87.1 (CAN/CSA Z94.3)
- Protección auditiva según la norma ANSI S12.6 (S3.19)
- Protección respiratoria según las normas NIOSH/OSHA

SÍMBOLOS

La etiqueta de su herramienta puede incluir los siguientes símbolos. Los símbolos y sus definiciones son los siguientes:

V..... voltios	A amperios
Hz..... hertz	W vatios
min minutos	~ corriente alterna
== corriente directa	no velocidad sin carga
Ⓛ Construcción Clase I (con conexión a tierra)	Ⓜ terminal a tierra
Ⓢ Construcción Clase II (con aislamiento doble)	▲ símbolo de alerta de seguridad
BPM..... golpes por minuto	.../min revoluciones o reciprocidad por minuto
	RPM.....revoluciones por minuto

CONSERVE ESTAS INSTRUCCIONES

MOTOR

Asegúrese de que el suministro de energía concuerde con lo marcado en la placa. 120 voltios CA significa que la sierra funcionará con corriente alterna. Un 10% menos de voltaje puede provocar pérdida de potencia y resultar en el recalentamiento de la herramienta. Todas las herramientas Porter-Cable son probadas en fábrica; si esta herramienta no funciona, controle el suministro eléctrico.

▲ADVERTENCIA: Los accesorios deben estar clasificados para la velocidad recomendada en la etiqueta de advertencia de la herramienta, como mínimo. Los accesorios que funcionen por encima de su velocidad nominal pueden desarmarse y provocar lesiones. La velocidad nominal de los accesorios debe ser siempre superior a la velocidad de la herramienta, indicada en la placa de ésta.

▲ADVERTENCIA: **Para reducir el riesgo de lesiones personales graves, apague la herramienta y desconéctela de la fuente de alimentación antes de instalar y retirar accesorios, ajustar o cambiar configuraciones o realizar reparaciones.** Un arranque accidental podría causar lesiones.

▲ATENCIÓN: Evite el contacto con los dientes de la hoja para prevenir lesiones personales.

OPERACIÓN

SELECCIÓN DE EL DISCO

Su sierra circular de Porter-Cable fue diseñada para usar con discos (hojas) de un diámetro de 114,3 mm (4-1/2 pulg.) con agujero de 9,5 mm (3/8 pulg.). Estos discos tienen que ser diseñados para una velocidad nominal de 6000 r.p.m. o más.

Un Disco Combinado viene con la sierra y es excelente para aserrar en general al hilo y al través del hilo. Para los cortes transversales, donde la uniformidad es importante, utilice un disco para cortes transversales con dientes más finos. También debe usar un disco con dientes finos para cortar el contrachapado (triplay) y el "masonite". Discos especiales está disponible para cortar plexigláss y materiales problemáticos tal como la lámina de metal y las chapas de acero. **NO** utilice discos abrasivos.

PARA QUITAR EL DISCO (La Hoja)

▲ADVERTENCIA: **Para reducir el riesgo de lesiones personales graves, apague la herramienta y desconéctela de la fuente de alimentación antes de instalar y retirar accesorios, ajustar o cambiar configuraciones o realizar reparaciones.** Un arranque accidental podría causar lesiones.

▲ATENCIÓN: Evite contacto con los dientes del disco para prevenir hetacto con los dientes del disco para prevenir herida personal.

Para quitar el disco, ponga los dientes del disco con una tabla y aflójele el tornillo de retención con atornillarlos en el sentido contrario a las manecillas del reloj con la llave provista. Quite el tornillo de retención y la arandela de patín exterior. Mientras detiene el protector inferior de la hoja, saque el disco. Antes de instalar un disco nuevo, quite la arandela de patín interior y límpiela. También quite todo el aserrín acumulado dentro de los protectores, alrededor del eje y del resorte del protector inferior de la hoja. Verifique que el protector inferior de la hoja esté trabajando bien.

▲ATENCIÓN: Si el movimiento del protector inferior de la hoja está lento o si se atasca, devuelva la sierra a la ESTACIÓN DE SERVICIO AUTORIZADO POR PORTER-CABLE más cercana o a un CENTRO DE SERVICIO DE PORTER-CABLE para repararla. NUNCA use la sierra si el protector inferior de la hoja no funciona bien.

Limpie y sustituya el reborde externo, asegurándose de los compañeros de la perforación rectangular por el extremo ajustado del cenador de la sierra. Instale la lámina con los dientes que señalan "ENCIMA DE" en el frente de la sierra. Apriete firmemente el tornillo de retención de la lámina.

PARA INSTALAR EL DISCO PARA CORTAR PLEXIGLÁSS

▲ADVERTENCIA: **Para reducir el riesgo de lesiones personales graves, apague la herramienta y desconéctela de la fuente de alimentación antes de instalar y retirar accesorios, ajustar o cambiar configuraciones o realizar reparaciones.** Un arranque accidental podría causar lesiones.

▲ATENCIÓN: Evite contacto con los dientes del disco para prevenir hetacto con los dientes del disco para prevenir herida personal.

Utilice el procedimiento de instalación siguiente SOLAMENTE para el corte plexigláss. Instale una lámina especial del plexiglass-corte con los dientes que señalan "ABAJO" en el frente de la sierra.

HOJA

▲ADVERTENCIA: Para reducir el riesgo de lesiones oculares, utilice siempre protección para los ojos aprobada ANSI Z87. El carburo es un material duro pero frágil. Los materiales extraños en la pieza de trabajo como alambres o clavos pueden ocasionar el quiebre o la rotura de las puntas. Sólo opere la sierra con el protector adecuado de la hoja en su lugar. Antes de usar la sierra, monte la hoja de manera segura en la dirección de rotación correspondiente y utilice siempre una hoja limpia y afilada.

▲ADVERTENCIA: **NUNCA** corte metales ferrosos (que contengan hierro o acero), mampostería, vidrio o mosaicos con esta sierra. De lo contrario, la sierra se puede dañar o se pueden producir lesiones personales.

Una hoja sin filo puede ocasionar un corte lento e ineficiente, la sobrecarga del motor, la formación excesiva de astillas y puede aumentar la posibilidad de retroceso de la hoja. Cambie las hojas cuando ya no pueda empujar la sierra a través del corte con facilidad, cuando el motor trabaje sobrecargado o cuando la hoja se recaliente demasiado. Es aconsejable tener hojas adicionales a mano para disponer de hojas afiladas para utilizar de inmediato. Las hojas sin filo pueden afilarse en la mayoría de las zonas; consulte la sección AFILADO DE HOJAS en las páginas amarillas. Los depósitos de goma endurecida sobre la hoja pueden eliminarse con kerosén, aguarrás o incluso con un limpiador. Las hojas con revestimiento antideslizante pueden utilizarse en aplicaciones con acumulación excesiva, tales como maderas tratadas a presión o maderas sin estacionar.

PROTECTOR INFERIOR DE LA HOJA

▲ADVERTENCIA: El protector inferior de la hoja es un dispositivo de seguridad que reduce el riesgo de lesiones personales graves. Nunca utilice la sierra si el protector inferior falta, está dañado, mal

montado o no funciona correctamente. No confíe en el protector inferior de la hoja para protegerse ante cualquier circunstancia. Su seguridad depende de que respete todas las advertencias y precauciones y de que opere la sierra adecuadamente. Antes de cada uso, verifique que el protector inferior cierre correctamente como se describe en la sección Normas de seguridad adicionales para sierras circulares. Si el protector inferior de la hoja falta o no funciona adecuadamente, haga reparar la sierra antes de usarla. Para garantizar la seguridad y la confiabilidad del producto, las reparaciones, el mantenimiento y los ajustes se deben realizar en los centros de mantenimiento Porter-Cable autorizados o en otras organizaciones de mantenimiento calificadas, y siempre deben utilizarse piezas de repuesto idénticas.

PARA AJUSTAR LA PROFUNDIDAD DEL CORTE NORMAL

▲ADVERTENCIA: **Para reducir el riesgo de lesiones personales graves, apague la herramienta y desconéctela de la fuente de alimentación antes de instalar y retirar accesorios, ajustar o cambiar configuraciones o realizar reparaciones.** Un arranque accidental podría causar lesiones.

Afloje la perilla de ajuste de profundidad (A) Fig. 1, y alce o baje la caja principal de la sierra hasta que el disco se extienda la distancia deseada debajo de la base. Para los mejores resultados, el disco apenas debe sobrepasar el material que esté cortando. Apriete firmemente la perilla para mantener el disco en esta posición.

COMO AJUSTAR PARA EL CORTE ANGULAR (Corte en Bisel)

▲ADVERTENCIA: **Para reducir el riesgo de lesiones personales graves, apague la herramienta y desconéctela de la fuente de alimentación antes de instalar y retirar accesorios, ajustar o cambiar configuraciones o realizar reparaciones.** Un arranque accidental podría causar lesiones.

Afloje la perilla delantera de ajuste (A) Fig. 2, de ángulo y también la trasera (B) Fig. 2. Incline la caja principal de la sierra hasta que la línea del ángulo deseado (C) Fig. 3 en el segmento de ángulos esté alineada con la línea de índice (D) Fig. 3, en la llave de ajuste. Apriete firmemente las perillas para mantener la sierra en esta posición.

PARA MONTAR EL INSERTO DE BASE

▲ADVERTENCIA: **Para reducir el riesgo de lesiones personales graves, apague la herramienta y desconéctela de la fuente de alimentación antes de instalar y retirar accesorios, ajustar o cambiar configuraciones o realizar reparaciones.** Un arranque accidental podría causar lesiones.

Use el inserto de base en conjunto con un disco de diente fino para reducir las astillas en la superficie superior del contrachapado (triplay) y de los paneles. Cuando use el inserto de base, no es necesario mantener el lado bueno o "de acabado" del trabajo **hacia abajo durante la elaboración.**

NOTA: Este inserto no se puede usar para los cortes en bisel.

Ajuste la sierra a la profundidad mínima de corte. Encaje el perno (localizado en la parte delantera de la base de la sierra) en la abertura de la guía lateral (Fig. 4).

Ponga la arandela y la tuerca manual en el perno (tornillo) pero no las apriete todavía. Ajuste la guía para la anchura de corte. Tome en cuenta la anchura del disco y el triscado de los dientes. Apriete firmemente la tuerca manual.

RANURAS INDICADORAS DE LA LINEA DE CORTE

▲ADVERTENCIA: **Para reducir el riesgo de lesiones personales graves, apague la herramienta y desconéctela de la fuente de alimentación antes de instalar y retirar accesorios, ajustar o cambiar configuraciones o realizar reparaciones.** Un arranque accidental podría causar lesiones.

Una muesca se proporciona en la orilla delantera de la base para asistirle en seguir la línea de corte en el trabajo.

El lado izquierdo de esta muesca (A) Fig. 7 está marcado con "45".Usa para seguir la línea cuando esté haciendo un corte en bisel de 45 grados. La orilla derecha de la muesca está marcada con "0". Usa este borde para seguir la línea cuando esté haciendo cortes rectos.

PARA ENSAMBLAR LA GUÍA LATERAL

▲ADVERTENCIA: **Para reducir el riesgo de lesiones personales graves, apague la herramienta y desconéctela de la fuente de alimentación antes de instalar y retirar accesorios, ajustar o cambiar configuraciones o realizar reparaciones.** Un arranque accidental podría causar lesiones.

Ajuste la sierra a la profundidad mínima de corte. Encaje el perno (localizado en la parte delantera de la base de la sierra) en la abertura de la guía lateral (Fig. 5).

Ponga la arandela y la tuerca manual en el perno (tornillo) pero no las apriete todavía. Ajuste la guía para la anchura de corte. Tome en cuenta la anchura del disco y el triscado de los dientes. Apriete firmemente la tuerca manual.Tighten the thumb nut firmly.

COMO USAR LA SIERRA

▲ATENCIÓN: No opere su herramienta con una corriente cuyo voltaje no se esté dentro de los límites correctos. No opere con CC las herramientas clasificadas para CA solamente. Operar las herramientas con CC puede ocasionarles daños graves.

▲ADVERTENCIA: Si el protector se dobla o funciona con lentitud, devuelva la sierra al centro de mantenimiento Porter-Cable autorizado más cercano para su reparación.

▲ADVERTENCIA: Para lograr la máxima protección, el control efectivo de esta poderosa sierra requiere la utilización de ambas manos. apoye el trabajo correctamente y sostenga la sierra con firmeza para evitar la pérdida de control que podría provocar lesiones. Consulte la Figura 6 para ver cómo sostener la sierra correctamente.

▲ADVERTENCIA: Permanezca alerta y siempre sostenga la sierra con firmeza. Libere el interruptor inmediatamente si la hoja se dobla o la sierra se atasca. Mantenga la hoja afilada. Apoye bien los paneles (Fig. 11). Cuando realice cortes longitudinales utilice una guía o una guía para borde recto. NO fuerce la herramienta eléctrica. NO retire la sierra de la pieza de trabajo mientras la hoja está en movimiento.

▲ADVERTENCIA: Para ayudar a reducir el riesgo de lesiones personales, siempre asegure el trabajo. ¡No trate de sujetar piezas cortas con la mano! Recuerde sostener el material voladizo o saliente. Tenga cuidado cuando corte el material desde abajo.

▲ADVERTENCIA: Asegúrese de que la sierra funcione a su velocidad máxima antes de que la hoja haga contacto con el material que desea cortar. Encender la sierra con la hoja contra el material que desea cortar o encajada en el corte puede provocar el retroceso de la hoja y lesiones personales.

RETROCESO

Cuando la hoja de la sierra se comprime o se tuerce en el corte, puede producirse un retroceso. La sierra sale despedida rápidamente hacia atrás hacia el operador. Cuando el corte se cierra, comprime o atasca la hoja, la misma se detiene y la reacción del motor impulsa a la unidad hacia atrás. Si la hoja se tuerce o se desalinea en el corte, los dientes del borde posterior de la hoja pueden clavarse en la superficie de la madera y provocar que la hoja salte del corte y retroceda hacia el operador. Es más probable que se produzca un retroceso cuando se da alguna de las siguientes condiciones.

- APOYO INCORRECTO DE LA PIEZA DE TRABAJO**
 - Si la pieza cortada se comba o se levanta incorrectamente puede comprimir la hoja y provocar un retroceso.
 - El corte de material apoyado solamente en los extremos exteriores puede provocar un retroceso. Cuando el material se debilita, se comba, cerrando el corte y comprimiendo la hoja.
 - El corte de una pieza de trabajo voladiza o saliente desde la parte inferior hacia arriba, en dirección vertical, puede provocar un retroceso. La pieza cortada que cae puede comprimir la hoja.
 - El corte de tiras angostas y largas (como en el caso de los cortes longitudinales) puede provocar un retroceso. La tira cortada puede combarse o doblarse, cerrar el corte y comprimir la hoja.
 - El control del operador se puede reducir momentáneamente si el protector inferior se engancha en una superficie debajo del material que se está cortando. La sierra se puede salir parcialmente del corte aumentando la posibilidad de que la hoja se tuerza.
- POSICIÓN INCORRECTA DE LA PROFUNDIDAD DE CORTE EN LA SIERRA**

Para lograr la máxima efectividad en el corte, la hoja debe sobresalir sólo lo suficiente como para exponer la mitad de un diente. Esto permite que la zapata sostenga la hoja y minimiza las torceduras y la compresión del material. Consulte la sección titulada “Regulación de la profundidad de corte”.
- TORCEDURA DE LA HOJA (MALA ALINEACIÓN DEL CORTE)**
 - Un mayor empuje para cortar a través de un nudo, un clavo o una zona de grano duro, puede torcer la hoja.
 - El intentar girar la sierra en el corte (tratar de volver a la línea marcada) puede torcer la hoja.
 - El estirarse demasiado u operar la sierra con poco control del cuerpo (sin equilibrio) puede torcer la hoja.
 - El cambio de mano o de la postura del cuerpo durante el corte puede torcer la hoja.
 - El retroceder la sierra para alejar la hoja puede torcerla si no se realiza con cuidado.

4 MATERIALES QUE REQUIEREN UNA ATENCIÓN ADICIONAL

- Maderas húmedas
- Maderas sin estacionar (material recién cortado o no secado al horno)
- Maderas tratadas a presión (material tratado con conservantes y productos químicos anti descomposición)

5. USO DE HOJAS SIN FILO O SUCIAS

Las hojas sin filo pueden aumentar la carga de la sierra. Para compensar, el operador generalmente empujará más fuerte, lo que aumenta la carga de la unidad y promueve que la hoja se tuerza en el corte. Las hojas gastadas también pueden tener un espacio corporal insuficiente lo cual aumenta la posibilidad de atascamientos y mayor carga.

6. LEVANTAR LA SIERRA AL REALIZAR UN CORTE BISELADO

Los cortes biselados requieren que el operador preste una atención especial a las técnicas de corte, en especial a la dirección de la sierra. Tanto el ángulo de la hoja con respecto a la zapata como una mayor superficie de la hoja en el material aumentan la posibilidad de atascamientos y mala alineación (torceduras).

7. RETOMAR UN CORTE CON LOS DIENTES DE LA HOJA ATASCADOS CONTRA EL MATERIAL

La sierra debe alcanzar su velocidad máxima de operación antes de comenzar o retomar un corte luego de que la unidad se haya detenido con la hoja en el corte. Si la sierra no alcanza su velocidad máxima, puede provocar atascamientos y el retroceso de la hoja.

Toda otra condición que pueda provocar que la hoja se pellizque, trabe, tuerza o que pueda afectar su alineación, puede ocasionar el retroceso de la hoja. Consulte las secciones "Ajustes y Configuración" y "Operación" para conocer los procedimientos y las técnicas que minimizarán la ocurrencia del retroceso.

EL CORTE TRANSVERSAL Y EL CORTE EN BISEL

▲ADVERTENCIA: **Para reducir el riesgo de lesiones personales graves, apague la herramienta y desconéctela de la fuente de alimentación antes de instalar y retirar accesorios, ajustar o cambiar configuraciones o realizar reparaciones.** Un arranque accidental podría causar lesiones.

▲ADVERTENCIA: Use la agarradera (palanca) de retracción (A) Fig. 12, montada en el protector inferior de la hoja para abrirlo manualmente.

Apoye el material en el banco firme, el caballo de la sierra, o la otra ayuda rígida y llévelo a cabo con seguridad en lugar. Extienda el extremo que se cortará más allá y a la derecha de la ayuda. Despeje el área de todos los objetos que interferirían con la lámina que resalta a través del material.

Ponga la orilla delantera de la sierra en el trabajo sin permitir que el disco lo toque. Apriete el gatillo interruptor y espere hasta que la sierra llegue a su velocidad máxima. Mantenga la relación entre la muesca en la orilla delantera de la sierra y la línea marcada en el trabajo. Avance la sierra sin pararla. No fuerce el corte. Al terminar el corte suelte el gatillo.

El corte en bisel se hace de la misma manera que el corte transversal pero la base de la sierra está inclinada en el ángulo deseado. Una guía-transportadora (A) Fig. 9 está disponible como accesorio para ayudarle a cortar los ángulos compuestos. Esta guía también es útil para hacer los cortes transversales (al través).

EL CORTE LONGITUDINAL

Un corte al hilo se llama corte longitudinal (a lo largo). Esta operación se hace de la misma manera que los cortes trans-versales con la variación de que se usan unos soportes para sostener la pieza en elaboración. Si el material está soportado en una mesa grande, en un banco o en el piso, entonces debe poner varios pedazos desechos del material (con un espesor de aproxi-madamente 1" (o 2.5 cm) debajo del material en elaboración para que pase libremente el disco. Si soporta los paneles o el contrachapado (triplay) de un espesor delgado sobre unos caballetes de aserrar, debe añadir tablas de "2 x 4" a lo largo entre los caballetes y el material en elaboración para que no padee.

Para hacer los cortes angostos a lo largo, puede usar la guía lateral (A) Fig. 10 que es disponible como accesorio. La sierra se guía al mantener el lado interior (B) Fig. 10 de la guía lateral pegado al canto de la tabla.

PARA CORTAR PANELES

Para hacer los cortes anchos tal como los haría en el contra-chapado (triplay) o en las chapas anchas, es útil usar una tablita (tablilla) de madera como guía. Hay que sujetar o fijar con unas tachuelas (clavar) la tablita al trabajo con suficiente espacio para que sirva de guía para el lado izquierdo de la sierra como está ilustrado en la Fig. 11. Para determinar la posición de la tablita, tiene que tomar en cuenta la distancia entre el lado izquierdo de la sierra y el disco para que el disco corte la línea deseada. La tablita debe sobrepasar ambos extremos del material en elaboración.

▲ADVERTENCIA: Soporte el material en elaboración con tablas de "2 x 4" o con material desecho para dejar un espacio debajo del material para el disco y para obtener una superficie firme.

EL CORTE HUNDIDO (de Bolsillo)

▲ADVERTENCIA: Utilice la palanca (A) Fig. 12 provista en el protector inferior cuando tenga que replegar el protector en forma manual.

▲ATENCIÓN: Mantenga sus manos y dedos ausentes de la lámina.

▲ATENCIÓN: Deje la sierra venir a una parada completa antes de quitarla de la pieza de trabajo.

El corte de bolsillo se hace empezando dentro del área del material en lugar de empezar en el canto. Marque el área claramente con líneas en todos los lados. Empiece cerca de la esquina de un lado poniendo la orilla delantera de la base de la sierra firmemente sobre la pieza de trabajo. Incline la sierra de manera de que el disco no esté tocando el material. Asegúrese de que el disco esté ajustado a la profundidad del corte. Abra el protector (guarda) telescópico completamente como está ilustrado en la Fig. 12. Ponga el motor en marcha y baje el disco al trabajo. Después de que el disco haya hecho el corte y la base quede plana en el trabajo, siga la línea hasta el rincón. Use un serrucho de punta o una sierra caladora para completar los rincones.

GUIA LOCALIZACION DE FALLAS

Para obtener ayuda con su herramienta, visite nuestro sitio Web www.deltaportercable.com y obtenga una lista de los centros de mantenimiento, o llame al Centro de atención al cliente de Porter-Cable al (888) 848-5175.

MANTENIMIENTO

▲ADVERTENCIA: Para reducir el riesgo de lesiones personales graves, apague la herramienta y desconéctela de la fuente de alimentación antes de instalar y retirar accesorios, ajustar o cambiar configuraciones o realizar reparaciones. Un arranque accidental podría causar lesiones.

▲ADVERTENCIA: USE SIEMPRE LENTES DE SEGURIDAD. Los anteojos de uso diario NO son lentes de seguridad. Utilice también máscaras faciales o para polvo si los cortes producen polvillo. Utilice SIEMPRE equipos de seguridad certificados:

- Protección para los ojos según la norma ANSI Z87.1 (CAN/CSA Z94.3)
- Protección auditiva según la norma ANSI S12.6 (S3.19)
- Protección respiratoria según las normas NIOSH/OSHA.

REPARACIONES

Para obtener ayuda con su herramienta, visite nuestro sitio Web www.deltaportercable.com y obtenga una lista de los centros de mantenimiento, o llame al Centro de atención al cliente de Porter-Cable al (888) 848-5175.

LIMPIEZA

▲ADVERTENCIA: Se sugiere, como procedimiento de mantenimiento, soplar aire comprimido seco y limpio, periódicamente, para sacar el polvo y fragmentos de la caja del motor. Para reducir el riesgo de lesión personal grave, SIEMPRE use lentes de seguridad que cumplan con el ANSI Z87.1 al hacer uso del aire comprimido.

▲ADVERTENCIA: Al realizar la limpieza, use únicamente jabón suave y un paño húmedo en las partes plásticas. Muchos limpiadores para uso doméstico pueden contener sustancias químicas que podrían dañar el plástico considerablemente. Tampoco utilice gasolina, aguarrás, barniz o solvente, líquidos para limpieza en seco o productos similares, que podrían dañar seriamente las piezas de plástico. NUNCA permita que penetre líquido dentro de la herramienta y nunca sumerja las PIEZAS DE LA HERRAMIENTA EN UN líquido.

FALLA EN EL ENCENDIDO

Si la herramienta no enciende, verifique que las patas del enchufe del cable hagan buen contacto en el tomacorriente. Además, revise que no haya fusibles quemados o interruptores automáticos de circuito abierto en la línea.

LUBRICATION

▲ADVERTENCIA: Para reducir el riesgo de lesiones personales graves, apague la herramienta y desconéctela de la fuente de alimentación antes de instalar y retirar accesorios, ajustar o cambiar configuraciones o realizar reparaciones. Un arranque accidental podría causar lesiones.

Aunque todas las herramientas del Portero-Cable se han lubricado a fondo con una suficiente cantidad de lubricante alto del grado a la hora de la fabricación, compruebe el nivel de aceite en el compartimiento del engranaje antes de usar su sierra y periódicamente después de eso. Para comprobar el nivel de aceite:

- Quite el disco para no tocarlo involuntariamente mientras revisa el nivel del aceite.
- Ajuste la sierra a la profundidad de corte máxima y para un corte en bisel de 45 grados. Apriete bien todas las perillas.
- Ponga la sierra en **MARCHA** y deje que ande aproximadamente dos minutos.
- Afoje el tapón de lubricación (A) Fig. 12 con la llave provista.
- Quite el tapón de lubricación y el empaque. Ponga la sierra en una superficie nivelada de manera que esté soportada por los puntos (A) y (B) (Fig. 13).
- El lubricante debe estar al nivel de la parte inferior del agujero de lubricación (C) pero no debe derramarse. Si esta condición no existe, añada un poquito del lubricante (aceite para engranajes con un peso de 90) provisto con la sierra hasta que el lubricante esté al nivel de la parte inferior del agujero de lubricación.
- TOME NOTA: NO LA SOBRELLENE.** La presión creada por la acción de bombear de los engranajes puede derramar el lubricante por medio de los sellos y dañar la máquina al forzarlo en la cámara del mecanismo y en el motor.
- Reemplace el tapón de lubricación y el empaque.
- Reemplace la lámina de sierra.

INSPECCIÓN DE LOS CEPILLOS (Si corresponde)

Para mantener la seguridad y la protección eléctrica, la inspección de los cepillos y su reemplazo deben ser realizados ÚNICAMENTE en una ESTACIÓN DE MANTENIMIENTO AUTORIZADA DE PORTER-CABLE o en un CENTRO DE MANTENIMIENTO DE FÁBRICA DE PORTER-CABLE•DELTA.

A las 100 horas de uso aproximadamente, lleve o envíe la herramienta a la Estación de mantenimiento autorizada de Porter-Cable más cercana para una limpieza e inspección exhaustiva. Haga reemplazar las piezas desgastadas y lubrique con lubricante nuevo. Instale nuevos cepillos y pruebe el funcionamiento de la herramienta.

Cualquier pérdida de potencia antes de la comprobación del mantenimiento mencionado puede indicar la necesidad del mantenimiento inmediato de su herramienta. NO CONTINÚE UTILIZANDO LA HERRAMIENTA EN ESTAS CONDICIONES. Si la herramienta presenta un voltaje de funcionamiento correcto, devuélvala para un mantenimiento inmediato.

▲ADVERTENCIA: Para reducir el riesgo de lesiones, NO ATE, ENCINTE NI BLOQUEE EL INTERRUPTOR DISPARADOR durante el funcionamiento "de prueba". SOSTÉNGALO ÚNICAMENTE CON LA MANO.

SERVICIO

PIEZAS DE REPUESTO

Utilice sólo piezas de repuesto idénticas. Para obtener una lista de piezas o para solicitar piezas, visite nuestro sitio Web en www.deltaportercableservicenot.com. También puede solicitar piezas en nuestro centro más cercano, o llamando a nuestro Centro de atención al cliente al (888) 848-5175.

MANTENIMIENTO Y REPARACIONES

Con el paso del tiempo, todas las herramientas de calidad requieren mantenimiento o reemplazo de las piezas. Para obtener información acerca de Porter-Cable, sus sucursales o un Centro de mantenimiento con garantía autorizado, visite nuestro sitio Web www.deltaportercable.com o llame a nuestro Centro de atención al cliente al (888) 848-5175. Todas las reparaciones realizadas en nuestros centros de mantenimiento están completamente garantizadas en relación con los materiales defectuosos y la mano de obra. No podemos otorgar garantías en relación con las reparaciones ni los intentos de reparación de otras personas.

También puede escribirnos solicitando información a PORTER-CABLE, 4825 Highway 45 North, Jackson, Tennessee 38305; referencia: Mantenimiento de productos. Asegúrese de incluir toda la información mencionada en la placa de la herramienta (número de modelo, tipo, número de serie, etc.)

ACCESORIOS

▲ADVERTENCIA: Debido a que no se han probado con este producto otros accesorios que no sean los que ofrece Porter-Cable, el uso de tales accesorios puede ser peligroso. Para un funcionamiento seguro, con este producto sólo deben utilizarse los accesorios recomendados por Porter-Cable.

▲ADVERTENCIA: NO UTILICE ACCESORIOS DE ALIMENTACIÓN DE AGUA CON ESTA SIERRA.

▲ADVERTENCIA: EXAMINE VISUALMENTE LAS HOJAS DE CARBURO ANTES DE UTILIZARLAS. REEMPLÁCELAS SI ESTÁN DAÑADAS.

Su proveedor de productos Porter-Cable, los Centros de mantenimiento de fábrica de Porter-Cable y los Centros de mantenimiento autorizados de Porter-Cable pueden suministrarle una línea completa de accesorios. Para obtener un catálogo o para conocer el nombre de su proveedor más cercano, visite nuestro sitio Web www.deltaportercable.com.

PÓLIZA DE GARANTÍA

IDENTIFICACIÓN DEL PRODUCTO:

Sello o firma del Distribuidor.Nombre del producto: _____ Mod./Cat.: _____
Marca: _____ Núm. de serie _____
_____(Datos para ser llenados por el distribuidor) Fecha de compra y/o entrega del producto: _____

Nombre y domicilio del distribuidor donde se adquirió el producto: _____

Este producto está garantizado por un año a partir de la fecha de entrega, contra cualquier defecto en su funcionamiento, así como en materiales y mano de obra empleados para su fabricación. Nuestra garantía incluye la reparación o reposición del producto y/o componentes sincargo alguno para el cliente, incluyendo mano de obra, así como los gastos de transportaciónrazonablemente erogados derivados del cumplimiento de este certificado.Para hacer efectiva esta garantía deberá presentar su

herramienta y esta póliza sellada por establecimiento comercial donde se adquirió el producto, de no contar con ésta, bastará la factura de compra.

EXCEPCIONES

Esta garantía no será válida en los siguientes casos:

- Cuando el producto se hubiese utilizado en condiciones distintas a las normales;
- Cuando el producto no hubiese sido operado de acuerdo con el instructivo de uso que seacompañó;
- Cuando el producto hubiese sido alterado o reparado por personas distintas a las enlistadas al final de este certificado.

Anexo encontrará una relación de sucursales de servicio de fábrica, centros de servicio autorizados y franquiciados en la República Mexicana, donde podrá hacer efectiva su garantía yadquirir partes, refacciones y accesorios originales.

GARANTÍA LIMITADA POR TRES AÑOS

PORTER-CABLE reparará, sin cargo, cualquier falla que surja de defectos en el material o la fabricación del producto, por hasta tres años a contar de la fecha de compra. Esta garantía no cubre fallas de las piezas causadas por su desgaste normal o abuso a la herramienta. Para mayores detalles sobre la cobertura de la garantía e información acerca de reparaciones realizadas bajo garantía, visítenos en www.deltaportercable.com o diríjase al centro de servicio más cercano. Esta garantía no aplica a accesorios o a daños causados por reparaciones realizadas o intentadas por terceros. Esta garantía le otorga derechos legales específicos, además de los cuales puede tener otros dependiendo del estado o provincia en que se encuentre.

Además de la garantía, las herramientas PORTER-CABLE están cubiertas por:

1 AÑO DE SERVICIO GRATUITO: PORTER-CABLE mantendrá la herramienta y reemplazará las piezas gastadas por su uso normal, sin cobro, en cualquier momento durante un año a contar de la fecha de compra.

GARANTÍA DE REEMBOLSO DE SU DINERO POR 90 DÍAS: Si no está completamente satisfecho con el desempeño de su máquina herramienta o clavadora PORTER-CABLE, cualquiera sea el motivo, podrá devolverlo hasta 90 días de la fecha de compra con su recibo y obtener el reembolso completo de su dinero – sin necesidad de responder a ninguna pregunta.

AMÉRICA LATINA: Esta garantía no se aplica a los productos que se venden en América Latina. Para los productos que se venden en América Latina, debe consultar la información de la garantía específica del país que viene en el empaque, llamar a la compañía local o visitar el sitio Web a fin de obtener esa información.

Para registrar la herramienta para obtener el mantenimiento cubierto por la garantía, visite nuestro sitio web en www.deltaportercable.com.

REEMPLAZO DE LAS ETIQUETAS DE ADVERTENCIA

Si sus etiquetas de advertencia se vuelven ilegibles o faltan, llame al (888) 848-5175 para que se las reemplacen gratuitamente.



Para reparación y servicio de sus herramientas eléctricas, favor de dirigirse al Centro de Servicio más cercano

CULIACAN, SIN

Bldv.Emiliano Zapata 5400-1 Poniente

Col. San Rafael

(667) 717 89 99

GUADALAJARA, JAL

Av. La Paz #1779 - Col. Americana Sector Juárez

(33) 3825 6978

MEXICO, D.F.

Eje Central Lázaro Cárdenas No. 18

Local D, Col. Obrera

(55) 5588 9377

MERIDA, YUC

Calle 63 #459-A - Col. Centro

(999) 928 5038

MONTERREY, N.L.

Av. Francisco I. Madero 831 Poniente - Col. Centro

(818) 375 23 13

PUEBLA, PUE

17 Norte #205 - Col. Centro

(222) 246 3714

QUERETARO, QRO

Av. San Roque 274 - Col. San Gregorio

(442) 2 17 63 14

SAN LUIS POTOSI, SLP

Av. Universidad 1525 - Col. San Luis

(444) 814 2383

TORREON, COAH

Bldv. Independencia, 96 Pte. - Col. Centro

(871) 716 5265

VERACRUZ, VER

Prolongación Díaz Mirón #4280 - Col. Remes

(229) 921 7016

VILLAHERMOSA, TAB

Constitución 516-A - Col. Centro

(993) 312 5111

PARA OTRAS LOCALIDADES:

Si se encuentra en México, por favor llame al (55) 5326 7100

Si se encuentra en U.S., por favor llame al

(888) 848-5175

ESPECIFICACIONES

MODEL 314

Tensión de alimentación:	120 V AC~
Consumo de corriente:	5 A
Frecuencia de operación:	60 Hz
Rotación sin carga:	4 500 rpm

SOLAMENTE PARA PROPÓSITO DE MÉXICO:
IMPORTADO POR: DEWALT S.A. DE C.V.
BOSQUES DE CIDROS, ACCESO RADIATAS NO.42
3A. SECCIÓN DE BOSQUES DE LAS LOMAS
DELEGACIÓN CUAJIMALPA,
05120, MÉXICO, D.F.
TEL. (52) 555-326-7100
R.F.C.: BDE810626-1W7

Para servicio y ventas consulte "HERRAMIENTAS ELECTRICAS" en la sección amarilla.



The following are PORTER-CABLE trademarks for one or more power tools and accessories: a gray and black color scheme; a ♦ "four point star" design; and three contrasting/outlined longitudinal stripes. The following are also trademarks for one or more Porter-Cable and Delta products: Les éléments ci-dessous sont des marques de commerce des outils et des accessoires de PORTER-CABLE : un agencement de couleurs grise et noire; un motif d' « étoile à quatre pointes » ♦ et trois bandes longitudinales contrastantes/à contours. Les marques suivantes sont également des marques de commerce se rapportant à un ou plusieurs produits Porter-Cable ou Delta: Las siguientes son marcas comerciales PORTER-CABLE que distinguen a una o más herramientas y accesorios: un gráfico de color gris y negro; un diseño de ♦ "estrella de cuatro puntas" y tres franjas longitudinales contrastantes/delineadas. Las siguientes también son marcas comerciales para uno o más productos de Porter-Cable y Delta: 2 BY 4[®], 890[™], Air America[®], AIRBOSS[™], Auto-Set[®], B.O.S.S.[®], Bammer[®], Biesemeyer[®], Builders Saw[®], Charge Air[®], Charge Air Pro[®], CONTRACTOR SUPERDUTY[®], Contractor's Saw[®], Delta[®], DELTA[®], Delta Industrial[®], DELTA MACHINERY & DESIGN[™], Delta Shopmaster and Design[®], Delta X5[®], Deltacraft[®], DELTAGRAM[®], Do It. Feel it.[®], DUAL LASERLOC AND DESIGN[®], EASY AIR[®], EASY AIR TO GO[™], ENDURADIAMOND[®], Ex-Cell[®], Front Bevel Lock[®], Get Yours While the Sun Shines[®], Grip to Fit[®], GRIPVAC[™], GTF[®], HICKORY WOODWORKING[®], Homecraft[®], HP FRAMER HIGH PRESSURE[®], IMPACT SERIES[™], Innovation That Works[®], Jet-Lock[®], Job Boss[®], Kickstand[®], LASERLOC[®], LONG-LASTING WORK LIFE[®], MAX FORCE[™], MAX LIFE[®], Micro-Set[®], Midi-Lathe[®], Monsoon[®], MONSTER-CARBIDE[™], Network[®], OLDHAM[®], Omnijig[®], PC EDGE[®], Performance Crew[™], Performance Gear[®], Pocket Cutter[®], Porta-Band[®], Porta-Plane[®], Porter Cable[®], Porter-Cable Professional Power Tools[®], Powerback[®], POZI-STOP[™] Pressure Valve[®], PRO 4000[®], Proair[®], Quicksand and Design[®], Quickset II[®], QUIET DRIVE TECHNOLOGY[™], QUIET DRIVE TECHNOLOGY AND DESIGN[™], Quik-Change[®], QUIK-TILT[®], RAPID-RELEASE[™], RAZOR[®], Redefining Performance[®], RipTide[®], Safe Guard II[®], Sand Trap and Design[®], Sanding Center[®], Saw Boss[®], Shop Boss[®], Sidekick[®], Site Boss[®], Speed-Bloc[®], Speedmatic[®], Stair Ease[®], Steel Driver Series[®], SUPERDUTY[®], T4 & DESIGN[®], THE AMERICAN WOODSHOP[®], THE PROFESSIONAL EDGE[®], Thin-Line[®], Tiger Saw[®], TIGERCLAW[®], TIGERCLAW AND DESIGN[®], Torq-Buster[®], TRU-MATCH[®], T-Square[®], Twinlaser[®], Unifence[®], Uniguard[®], UNIRIP[®], UNISAW[®], UNITED STATES SAW[®], Veri-Set[®], Versa-Feeder[®], VIPER[®], VT[™], VT RAZOR[™], Water Driver[®], WATER VROOM[®], Waveform[®], Whisper Series[®], X5[®], YOUR ACHIEVEMENT. OUR TOOLS[®].

Trademarks noted with ® are registered in the United States Patent and Trademark Office and may also be registered in other countries. Other trademarks may apply. Les marques de commerce suivies du symbole ® sont enregistrées auprès du United States Patent and Trademark Office et peuvent être enregistrées dans d'autres pays. D'autres marques de commerce peuvent également être applicables. Las marcas comerciales con el símbolo ® están registradas en la Oficina de patentes y marcas comerciales de Estados Unidos (United States Patent and Trademark Office), y también pueden estar registradas en otros países. Posiblemente se apliquen otras marcas comerciales registradas.

PORTER-CABLE

4825 Highway 45 North
Jackson, TN 38305
(888) 848-5175

www.deltaportercable.com