

IRONMAN[®] Fitness TRIAD

Owner's Manual

Ironman TRIAD Treadmill

Service

(800) 750-4766

Assembly

(888) 559-8810

Ironman Fitness Products

4009 Distribution Drive

Suite 250

Garland, TX 75041

www.ironmanfitness.com



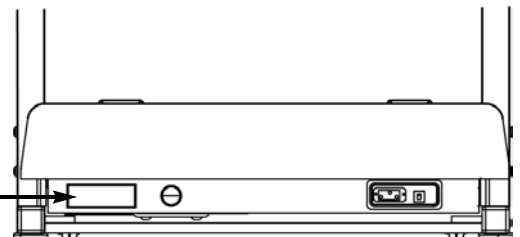
CAUTION! Read all precautions and instructions in this manual before using this equipment.

Model Name : TRIAD

Serial Number :

Write down for future reference

Serial Number Decal Location



415-00012

10/04

Table of Contents



Important Safety Information	3
Before You Start	4
Assembly	5-9
Moving Instructions	10
Power Requirements	11
Console Panel Functions	12
Program Operation	13-14
Program Profiles	15
Heart Rate Mode	16-17
Monitoring Your Heart Rate	18-19
Workout Information	20-21
Warm Up Exercises	22
Changing to MPH or KM	23
Calibration Sequence	24
Belt Adjustment	25
Maintenance Instructions	26
Error Messages	27
Troubleshooting	28
Parts List	29-30
Exploded View	31-32
Warranty Information	33

Important Safety Information



WARNING! Before using this treadmill or starting any exercise program, consult your physician. This is especially important for persons over the age of 35 and/or persons with pre-existing health problems. The manufacturer or distributor assumes no responsibility for personal injury or property damage sustained by or through the use of this product.

WARNING! To reduce the risk of electrical shock, burns, fire, or other possible injuries to the user, it is important to review this manual and the following precautions **before** operation.

SAFETY PRECAUTIONS AND TIPS

1. It is the owner's responsibility to ensure that all users of this treadmill have read the Owner's Manual and are familiar with warnings and safety precautions.
2. This treadmill has a user maximum capacity of **350** pounds.
3. The treadmill should only be used on a level surface and is intended for indoor use only. The treadmill should not be placed in a garage, patio, or near water and should never be used while you are wet. Ironman Fitness recommends a treadmill mat be placed under the treadmill to protect floor or carpet and for easier cleaning.
4. Follow safety information in regards to plugging in your treadmill. Keep the power cord away from the incline wheels and do not run the power cord underneath your treadmill. Do not operate the treadmill with a damaged or frayed power cord.
5. Wear comfortable, good-quality walking or running shoes and appropriate clothing. Do not use the treadmill with bare feet, sandals, socks or stockings.
6. Always straddle the belt and allow it to start moving before stepping onto the belt.
7. Hold on to handrail when adjusting speed, incline, or other controls.
8. Always examine your treadmill before using to ensure all parts are in working order.
9. Allow the belt to fully stop before dismounting.
10. Pets should never be allowed near or on the treadmill.
11. Do not leave children unsupervised near or on the treadmill.
12. Never operate the treadmill where oxygen is being administered, or where aerosol products are being used.
13. Never insert any object or body parts into any opening.
14. For safety and to prevent damage to your treadmill, no more than one person should use the treadmill at a time.
15. Always unplug the treadmill before cleaning and/or servicing. Service to your treadmill should only be performed by an authorized service representative, unless authorized and/or instructed by the manufacturer.
16. Failure to follow these instructions will void the treadmill warranty.
17. Never leave the treadmill unattended while it is running.

Before You Start



Thank you for purchasing the **Ironman TRIAD Treadmill**! This quality product you have chosen was designed to meet your needs for cardiovascular exercise. Before you start, please read the Owner's Manual and become familiar with the operation of your new treadmill.

Remember to take the time to perform the stretching exercises provided to avoid injury.

Do not stand on the walking belt while pressing the Power button or Start/Stop button.

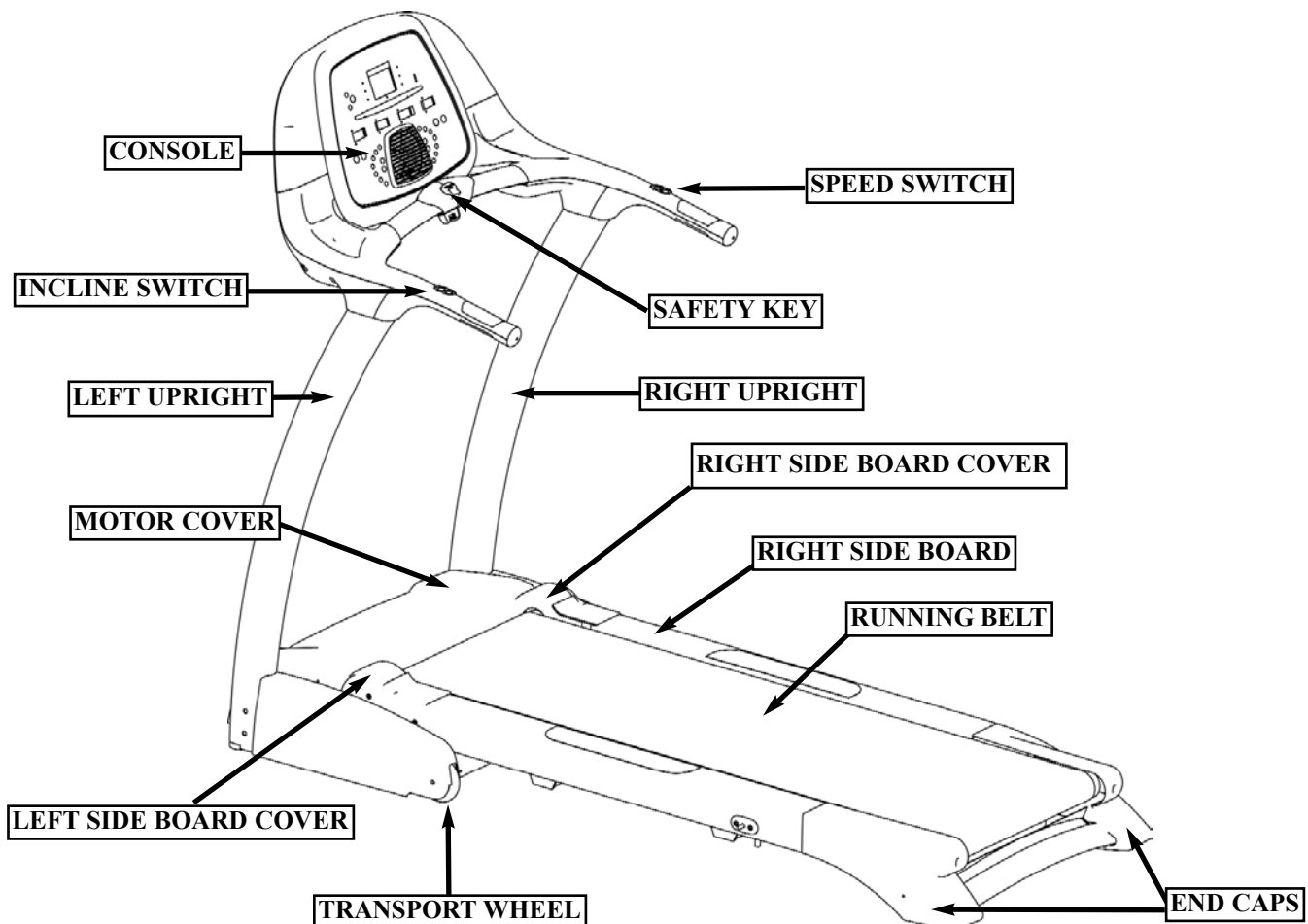
Always adjust the speed of the treadmill in small increments as this treadmill is capable of high speeds.

If you are taking medication, consult your physician to see if the medication will affect your exercise heart rate.

If you have heart problems, you are not active, and/or are over the age of 35 years, do not use the pre-set treadmill programs or start an exercise program without first contacting and receiving approval from your physician.

To avoid the risk of electrical shock, always keep the console dry. Do not spill liquids on the console. Ironman Fitness recommends a sealed water bottle for beverages consumed while using the treadmill.

Please review the following drawing below to familiarize yourself with the listed parts. This manual covers several treadmills, so the one pictured below may not be identical to your particular model.



The **Ironman TRIAD Treadmill** will require assembly before operating. After opening the box, remove any packing material from the treadmill.

Do not throw away any packing materials until the unit is working properly.

Place the base on a clean, level surface. Make sure the electrical cord will easily reach an electrical outlet.

If at anytime you need assistance with assembly, call **888-559-8810**.

Locate the hardware pack and identify the following parts required for assembly.

Tools:

1. Allen Wrench- 3/16"
2. Allen Wrench- 7/32"
3. Philip Screwdriver

Main Components:

1. Owner's Manual
2. Console Assembly
3. Left and Right Uprights
4. Left and Right Fender
5. Left and Right Bottom Handle Cover
6. Handle End Caps
7. Deck Assembly
8. Long Bumpers
9. Chest Strap

Hardware:

1. Washer 9*16*1.6 mm (Qty. 12)
2. Spring Washer 8 mm (Qty. 12)
3. Allen Bolt 5/16"-18 x 70 (Qty. 4)
4. Allen Bolt 5/16"-18 x 15 (Qty. 6)
5. Allen Bolt M8*30 (Qty. 2)
6. Shoulder Allen Bolt 5/16"-18 x 45 (Qty. 2)
7. Philip Screw ST4.2*16 (Qty. 8)

Wire Connections:

1. Console Harness
2. EKG Harness

Assembly

Assembly requires the included allen wrench and phillips screwdriver.

Do not plug in the power cord until all assembly steps are completed.

1. With the treadmill deck in the down position, leave the unit on the original packing material to assemble all parts.

2. Connect the console harness together. One side of harness is located near the motor cover on the bottom left side. The other end is located inside the Left Upright assembly. See Figure 1 and 2.

3. Pull the wiring harness from top of upright tube making sure harness connectors are pulled into large hole at bottom of upright.

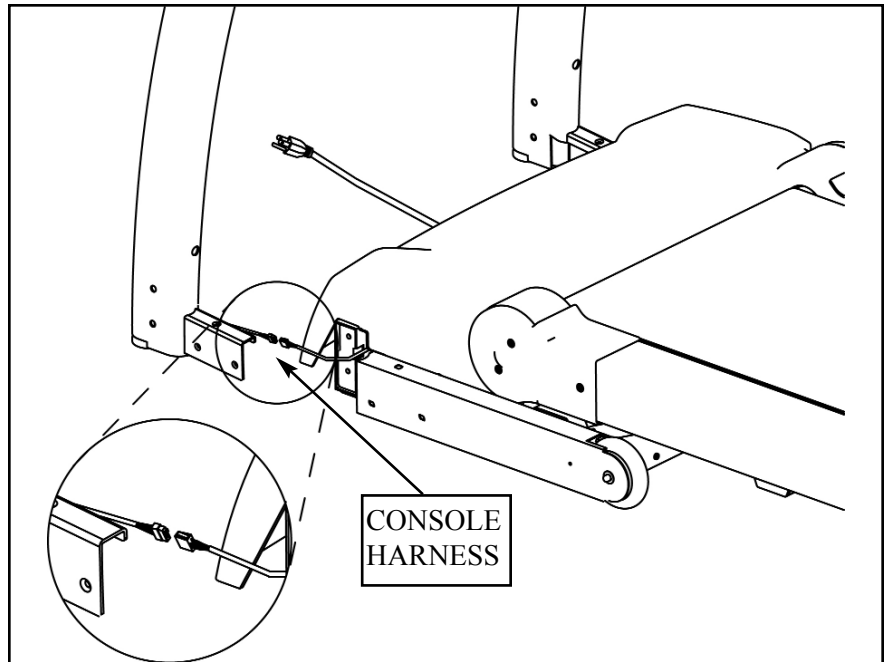


Figure 1: Console Harness Location

Caution:

Make sure harness is installed inside the upright and pay attention not to pinch the wire harness.

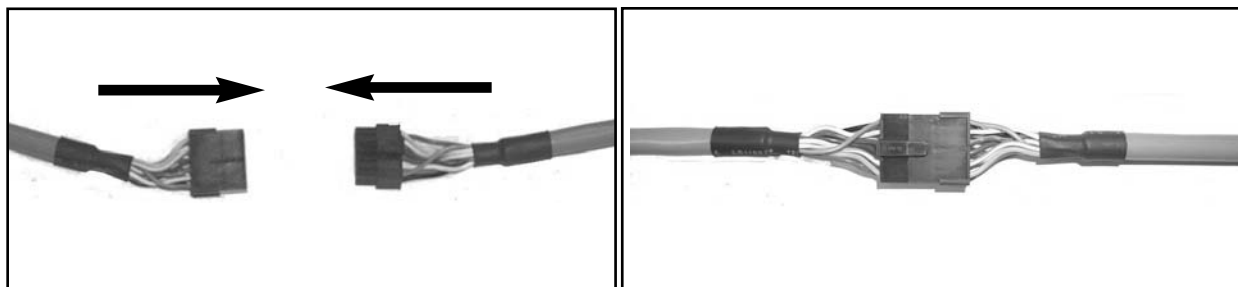


Figure 2: Console Harness Connection

**Need Help With Assembly?
Call (888) 559-8810**

Assembly



4. Install the Left and Right Uprights to the treadmill base frame by inserting the upright connecting bracket into base frame as seen in Figure 3, using Allen Bolt 5/16"-18 x 70 (Qty. 4), Spring Washer 8 mm (Qty. 4), and Washer 9*16*1.6 mm (Qty. 4).

Next, install the Allen Bolt 5/16"-18 x 15 (Qty. 6), Spring Washer 8 mm (Qty. 6), and Washer 9*16*1.6 mm (Qty. 6). Refer to Figure 3.

Note: Do not tighten hardware in step 3 until step 5 is completed.

IMPORTANT, PLEASE NOTE:

While sliding the upright connecting bracket into the base frame, make sure the harness is installed inside the upright and pay attention not to pinch the wire harness.

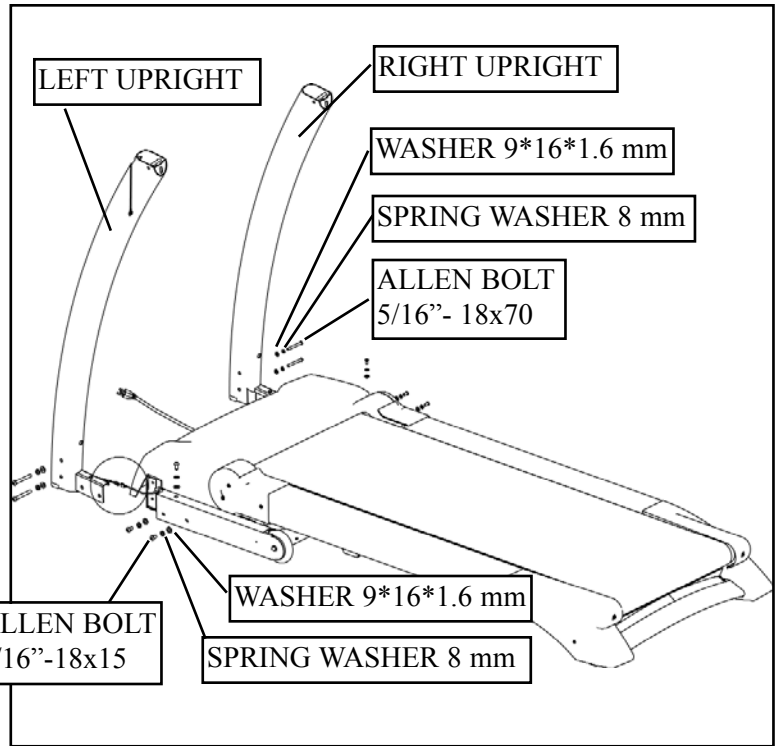


Figure 3: Left and Right Upright Installation

5. Connect the Console Harness together as shown in Figure 4. Wiring harness connectors snap together as shown in Figure 2.

Note: The upright console harness wire must be inserted through large hole at front side of upright, before connecting to harness from console assembly.

Connect the Console to the Left and Right Uprights by sliding the Console connecting brackets into the end of the Left and Right Uprights as shown in Figure 4. Tighten into place using 5/16"-18x45 Shoulder Allen Bolt (Qty. 2), Spring Washer 8 mm (Qty. 2), and Washer 9*16*1.6 mm (Qty. 2).

IMPORTANT, PLEASE NOTE:

While connecting the Console to the Left and Right Uprights, pay attention not to pinch the wire harness. Excess Console Harness wiring should be placed inside the Left Upright, not Console Assembly.

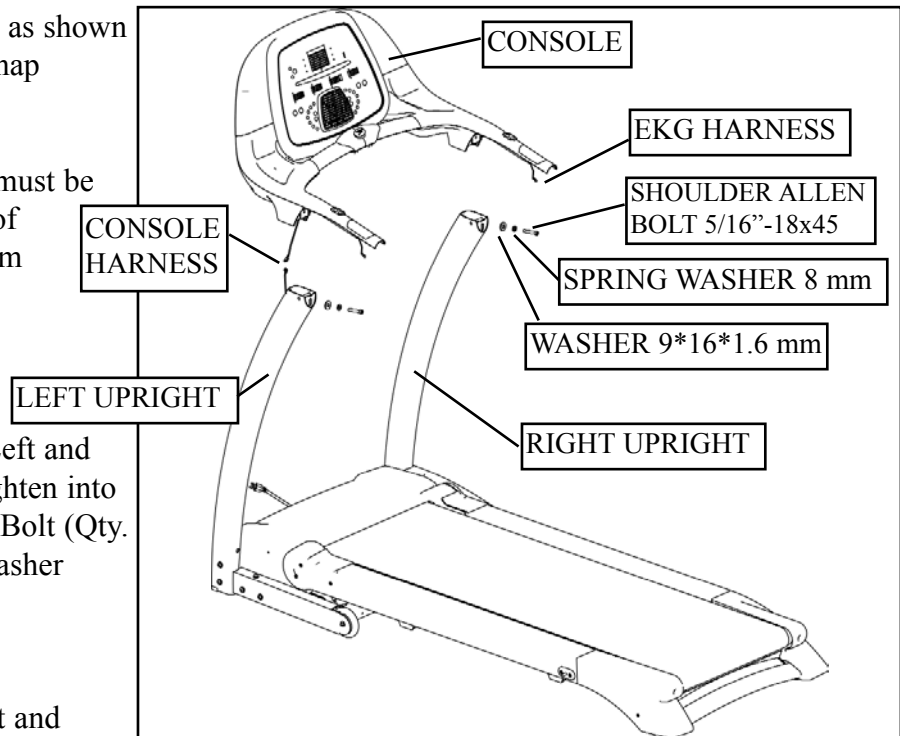


Figure 4: Console Installation

Need Help With Assembly?
Call (888) 559-8810

Assembly

6. Position the Left and Right Bottom Handle Covers to underside of handle assembly, then connect the EKG Harness Wires to the Left and Right Bottom Handle Pulse Plates as shown in Figure 5.

Tighten into place using Philip Screw ST4.2X16 (Qty. 6).

Next, install the End Caps to the handle assembly.

IMPORTANT, PLEASE NOTE:

Tighten all hardware installed in Step 1 through Step 5.

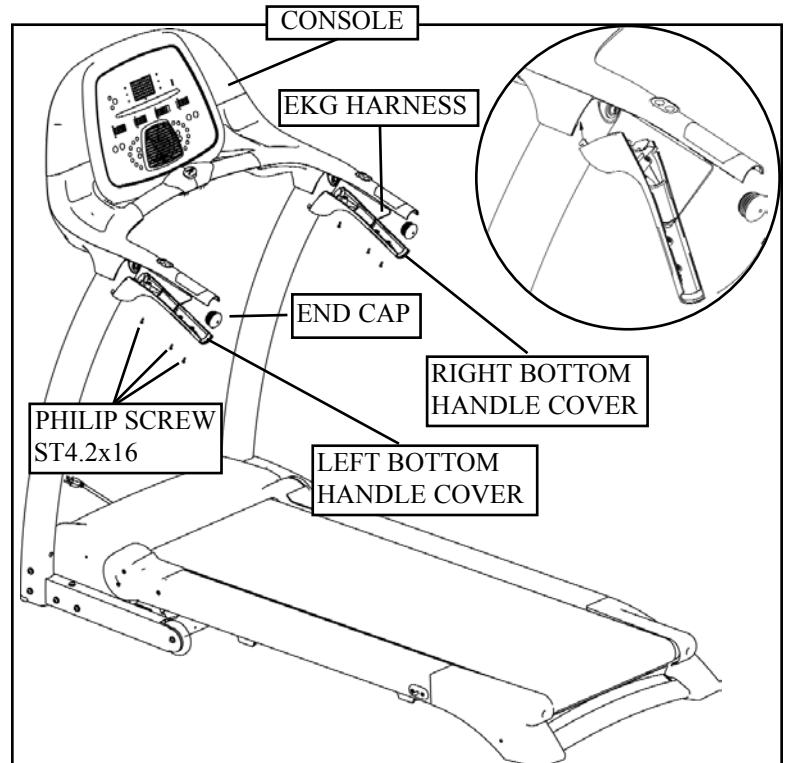


Figure 5: Left and Right Bottom Handle Cover Installation

7. Fold the treadmill into the storage position and lock into place as shown in Figure 6.

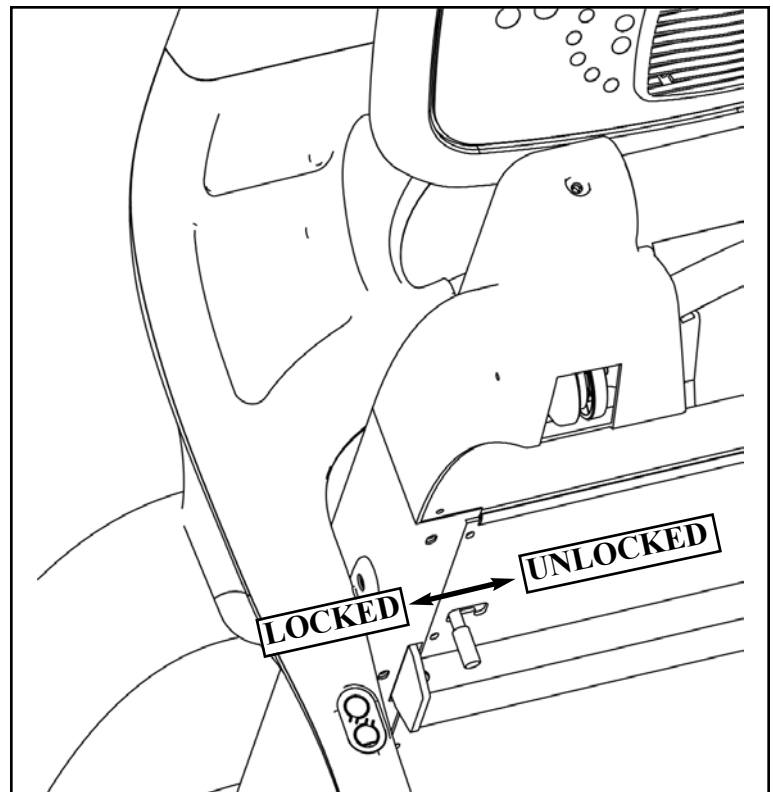


Figure 6: Storage Position Locking Method

**Need Help With Assembly?
Call (888) 559-8810**

Assembly

8. Remove the two Long Bumpers from base of treadmill as shown in Figure 7a. Install the Left and Right Fender to Base using Philip Screw ST4.2X16 as shown in Figure 7b. Reinstall both Long Bumpers.

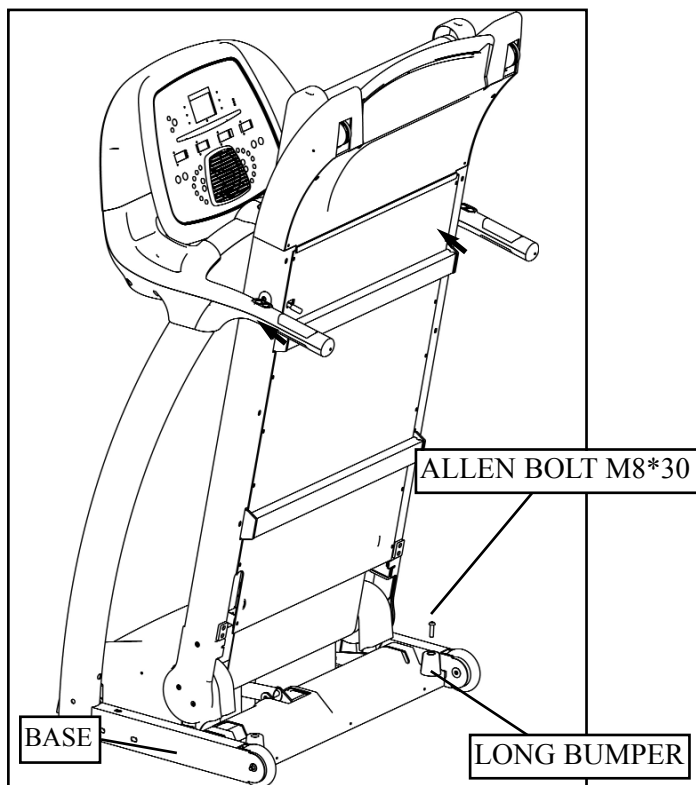


Figure 7a: Long Bumper Removal

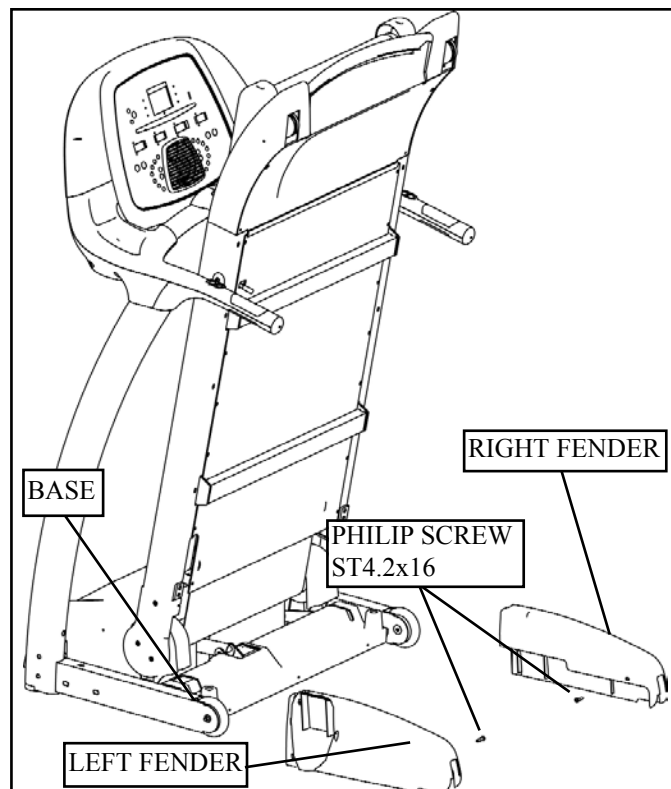


Figure 7b: Left and Right Fender Installation

Congratulations!

You have completed the assembly of your new Ironman TRIAD Treadmill!

Moving Instructions

CAUTION! TO AVOID THE RISK OF INJURY, NEVER ATTEMPT TO MOVE THE TREADMILL WHILE IT IS IN THE UNFOLDED OPERATING POSITION. TO REDUCE THE POSSIBILITY OF INJURY WHILE LIFTING, BEND YOUR LEGS AND KEEP YOUR BACK STRAIGHT. AS YOU RAISE THE TREADMILL, LIFT USING YOUR LEGS, NOT YOUR BACK. IN ORDER TO RAISE OR LOWER THE TREADMILL SAFELY, YOU MUST BE ABLE TO LIFT 45 POUNDS (20KG). IT IS SUGGESTED YOU ALWAYS USE THE AID OF A SECOND PERSON WHEN MOVING THE TREADMILL.

With the treadmill in the folded locked position (safety latch is engaged), grasp the handrail and place one foot on the center of the base crossbar as shown in the photo below. Next, with a firm grasp on the handrail, carefully tilt the treadmill back until it rolls freely on the wheels. Using extreme caution, move the treadmill to the desired location. To set the treadmill down, place one foot on the center of the base crossbar and carefully lower treadmill onto base in resting position. Do not attempt to move the treadmill over an uneven or rough surface.

Note: The treadmill pictured below may not be identical to your particular model.



Power Requirements

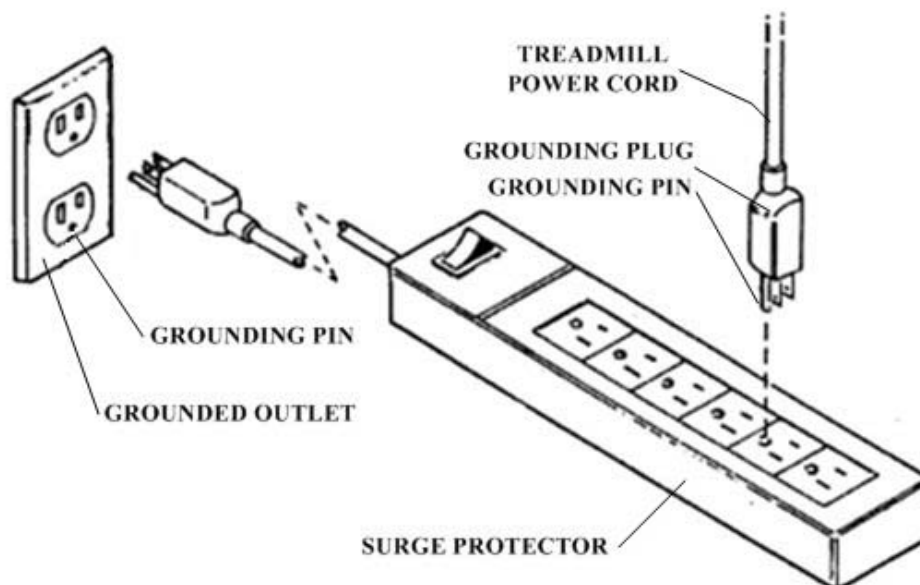
IMPROPER CONNECTION OF THE EQUIPMENT GROUNDING CONNECTOR CAN RESULT IN A RISK OF AN ELECTRIC SHOCK. CHECK WITH A QUALIFIED ELECTRICIAN OR SERVICE MAN IF YOU ARE IN DOUBT AS TO WHETHER THE PRODUCT IS PROPERLY GROUNDED. DO NOT MODIFY THE PLUG PROVIDED WITH THE PRODUCT. IF PLUG WILL NOT FIT THE OUTLET, HAVE A PROPER OUTLET INSTALLED BY A QUALIFIED ELECTRICIAN.

This treadmill can be seriously damaged by sudden voltage changes in your home's electrical power. Voltage spikes, surges, and noise interference can result from weather conditions or from other appliances being turned on or off. To reduce the possibility of treadmill damage, always use a dedicated **surge protector** (not included) with your treadmill.

Surge protectors can be purchased at most hardware stores. The manufacturer recommends a single outlet surge protector with UL 1449 rating as a Transient Voltage Surge Suppressor (TVSS) with UL suppressed voltage rating of 400V or less and an electrical rating of 120VAC, 15 amps.

This treadmill must be grounded to reduce the risk of electrical shock. Grounding provides a path of least resistance for electric current should the treadmill malfunction. This treadmill comes with an electrical cord with an equipment-grounding conductor and a grounding plug. Always plug the power cord into a surge protector, and plug the surge protector into an appropriate outlet that is properly installed and grounded in accordance with all local codes and ordinances. Do not connect other equipment to the surge protector or this could cause permanent damage to your treadmill.

This product is for use on a nominal 120-volt circuit and has a grounding plug that looks like the plug illustrated in the drawing below.



Console Panel Functions



There are five display windows on the control panel to provide feedback information.

INCLINE / PULSE WINDOW

INCLINE: Indicates incline in percent of grade 0-10% in 0.5 increments.

CALORIES / DISTANCE WINDOW

DISTANCE: Indicates Miles or Kilometers traveled in .01 increments up to 9.99 and .1 increments starting at 10.0

CALORIES: Indicates estimated calories used based on 150 lb. person at the indicated speed, incline, and time

TIME / PACE WINDOW

TIME: Indicates elapsed time after pressing start in minutes and seconds (0-99 minutes, 0-59 seconds)

PACE: Indicates countdown in seconds to the next interval starting at 5 seconds and counting to 0 seconds.

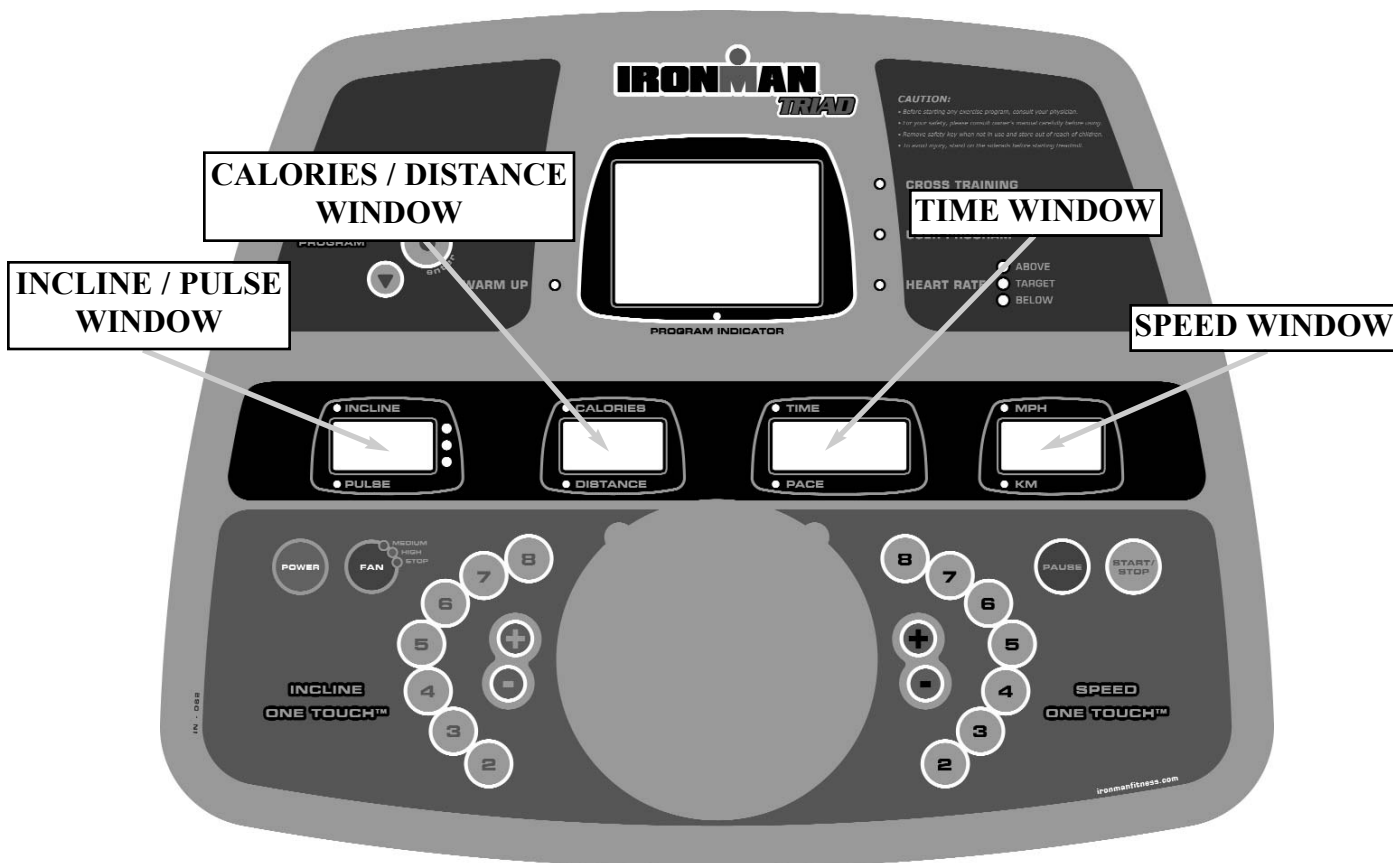
SPEED WINDOW

SPEED: Indicates MPH (miles per hour) or KPH (kilometer per hour) in .1 increments.

CENTER BRICKYARD WINDOW

Displays quarter mile track in Manual mode. Indicates position on track by a blink. In program mode, shows the change in speed profile across the interval range (1-10) and shows position with a blinking action.

In Program mode, the treadmill will display the name of the program selected. This is shown on the left hand side of the window. In Manual mode, the LAP counter will appear in the top center of the window, counting each 1/4 mile lap in sequence of completion (1, 2, 3, etc.).



Program and Operation

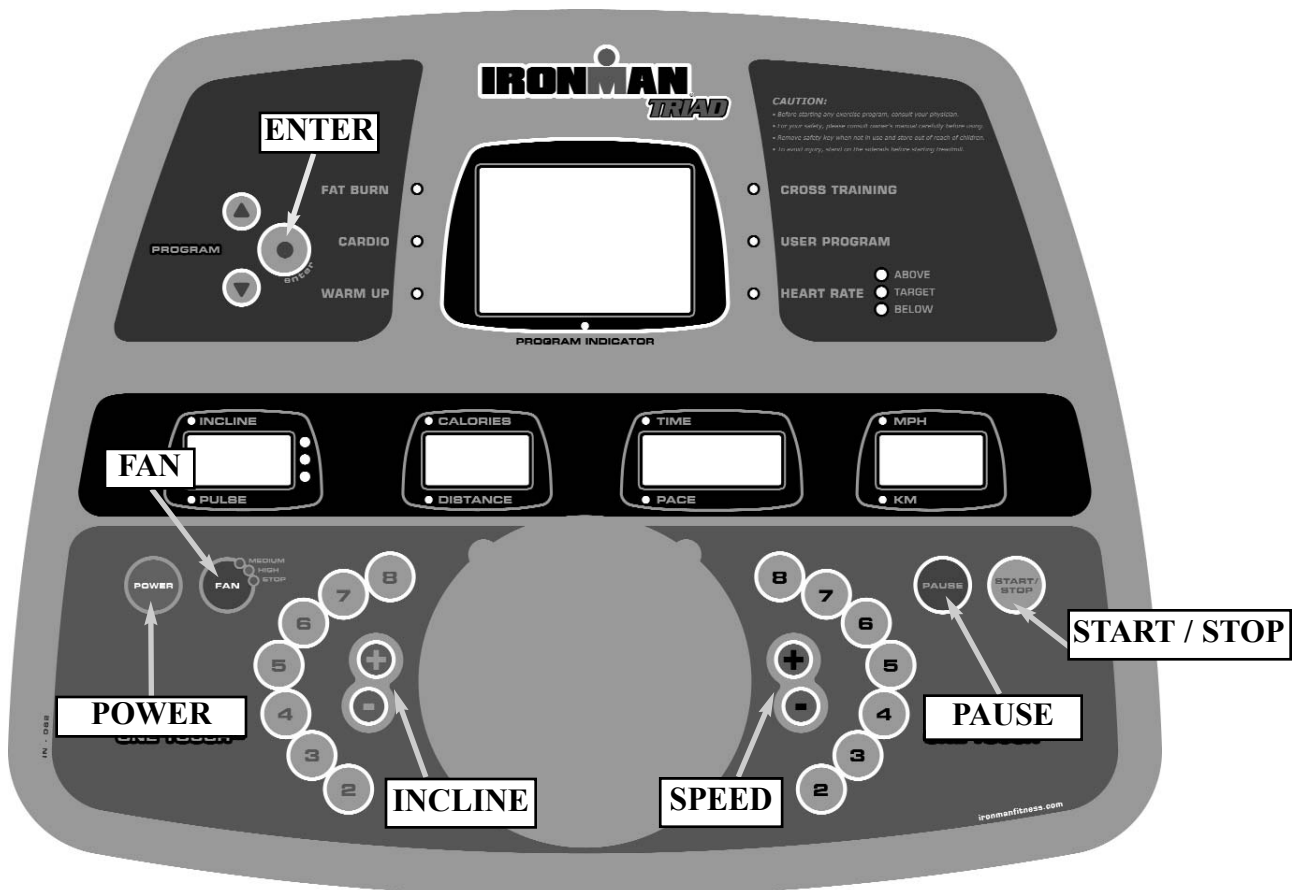


QUICK START / MANUAL MODE

1. Plug into a surge protector outlet. Attach the **Safety Key** on to the treadmill console.
2. Stand on the treadmill and straddle belt. Attach safety key clip to your clothes.
3. Press **POWER** button. There will be an eight (8) second delay after pressing the **POWER** button before data can be entered. The **TIME** window will flash.
4. Press **START/STOP** button. Belt will begin to move after 4 seconds. Step on belt slowly after the belt starts moving. Speed or Incline may be adjusted by using the appropriate **+** (increase) or **-** (decrease) button.
5. To end your workout, press **START/STOP** button. Belt will gradually slow to zero.
6. To pause your workout, press **PAUSE**.
7. To re-start after pausing: Press the **PAUSE** button. **WARNING: THE TREADMILL BELT WILL RESUME AT THE SPEED THE TREADMILL WAS MOVING BEFORE PAUSING.**
8. Countdown Time, Preset Speed and/or Incline: Time, Speed, and Incline may be preset prior to getting started. First, press the **POWER** button, then press the **ENTER** button, the time window will blink. Use the **SPEED +** or **-** buttons to select your workout time, then press the **ENTER** button. The **SPEED** window will now be flashing. Using the same buttons, select the speed for your workout, then press **ENTER**. Now the **INCLINE** window will be flashing. Use the **INCLINE +** or **-** buttons to set your workout incline, then press **ENTER**. To start, press the **START/STOP** button.

USING THE FAN

There are 3 different fan speeds to choose from **MEDIUM**, **HIGH**, and, **STOP**. To set the desired fan speed press the **FAN** button.



Program and Operation



PROGRAM MODE

Plug treadmill into a surge protector outlet. Attach the Safety Key on to the treadmill console.

1. Stand on the treadmill and straddle belt. Attach safety key clip to your clothes.
2. Press POWER button. There will be an eight (8) second delay before data can be entered. The TIME window will flash.
3. There are four (4) pre-set and eight (8) semi-custom pre-set programs on the **Ironman TRIAD**. The treadmill includes FAT BURN, CARDIO, WARM-UP, and CROSS TRAINING programs. Press the PROGRAM UP or DOWN button to select which program you wish to use. Press ENTER.
4. Press START/STOP button. Belt will begin to move after 4 seconds. Step on belt slowly after the belt starts moving.

CUSTOMIZING PROGRAMS in P1 and P2 Mode:

Each pre-set program (Fat Burn, Cardio, and Warm-up) can be customized in the P1 or P2 mode. After making the program selection, the CAL / DIST window will read “OP”. The “OP” refers to “original program” and is preset.

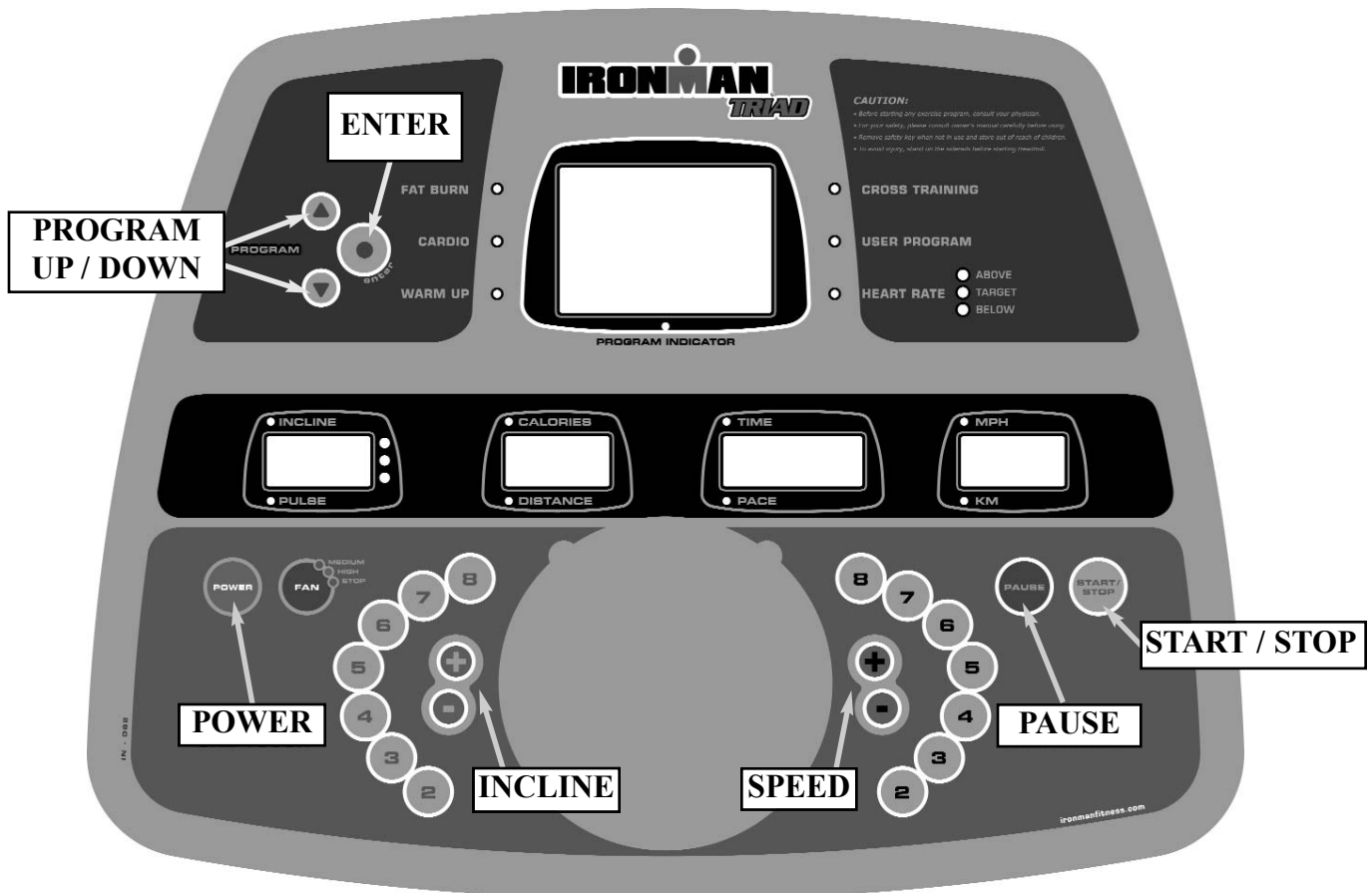
The program name you select will illuminate on the console display. Press the PROGRAM DOWN button once more and the CAL / DIST window will read P1. The “P1” mode is now accessed. You can now program the Time, Speed, and Incline in P1 mode, which will be saved for future workouts.

- 1) The TIME window will blink. Use the SPEED + or – buttons to select your workout time. Press ENTER PROGRAM.
- 2) The SPEED window will then blink. Use the same + or – buttons to select the speed for your workout. Press ENTER PROGRAM.
- 3) The INCLINE window will then blink. Use the INCLINE + or – buttons to set your workout incline. Press ENTER PROGRAM.

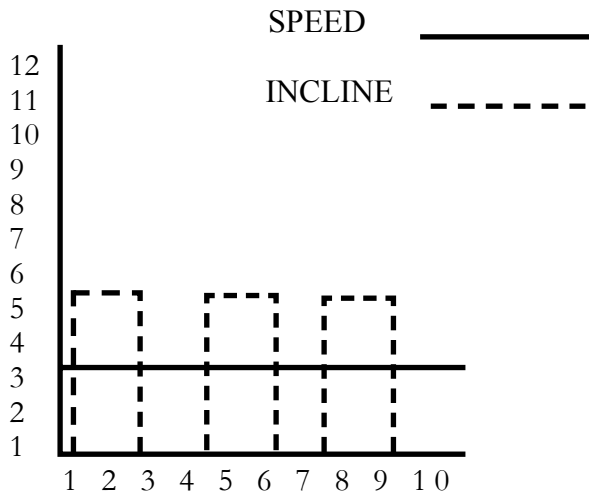
To start, press the START/STOP button. To access P2 mode, press the PROGRAM UP or DOWN button for desired program, then press the ENTER button (once for OP, twice for P1, three times for P2). Follow the above steps 1-3 to customize P2 settings.

TO CHANGE A PREVIOUSLY PROGRAMMED P1, P2, or user program:

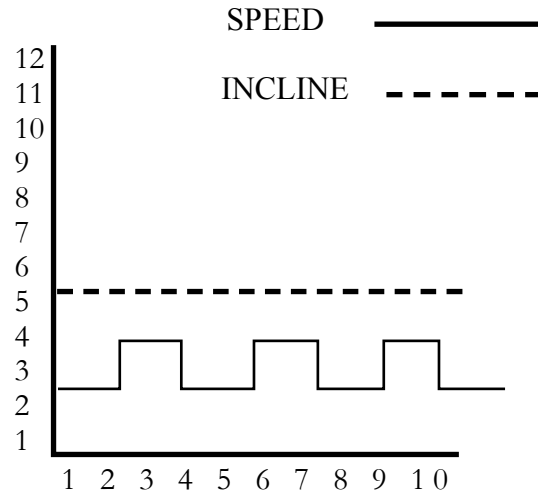
Once you have programmed the P1 or P2 modes, you will need to use the PAUSE button to change the program you previously entered. For instance to change to a new setting in P1-FAT BURN, press the PROGRAM UP or DOWN to select the FAT BURN program. Next, press the same button once more to access P1. Then press the PAUSE button to get the TIME window to flash. Follow the directions above to continue to change the program.



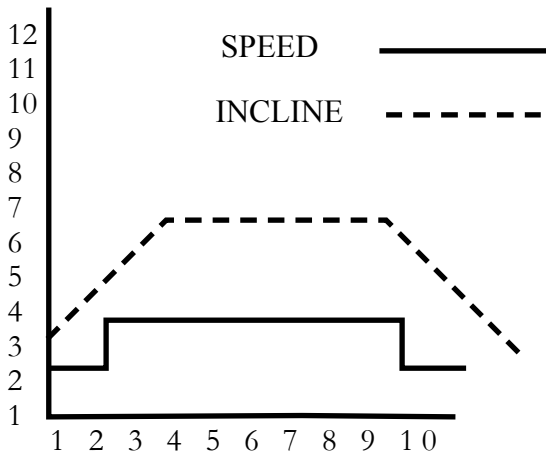
Program Profiles



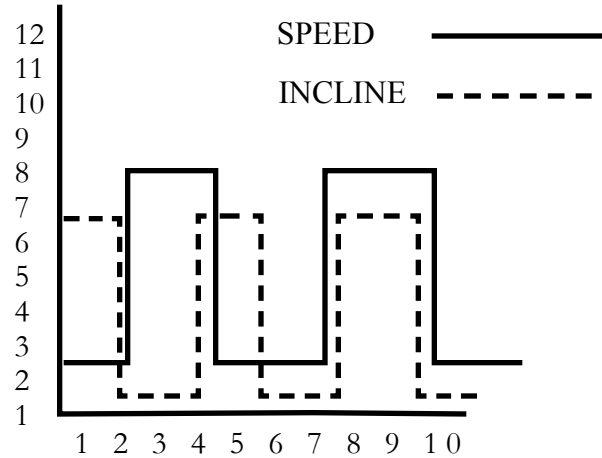
The **Fat Burn Program** is designed to vary the treadmill elevation, while maintaining a constant walking belt speed.



The **Cardio Program** is designed to vary the treadmill Speed, while maintaining a constant Elevation.



The **Warm Up Program** is designed to gradually increase the treadmill Speed and Elevation in the first segment (warm up) and gradually decrease the treadmill Speed and Elevation in the last segment (cool down). This is also known as a Plateau program.



The **Cross Training Program** is designed to control the walking belt speed and elevation inversely in alternating segments.

HEART RATE MONITOR MODE

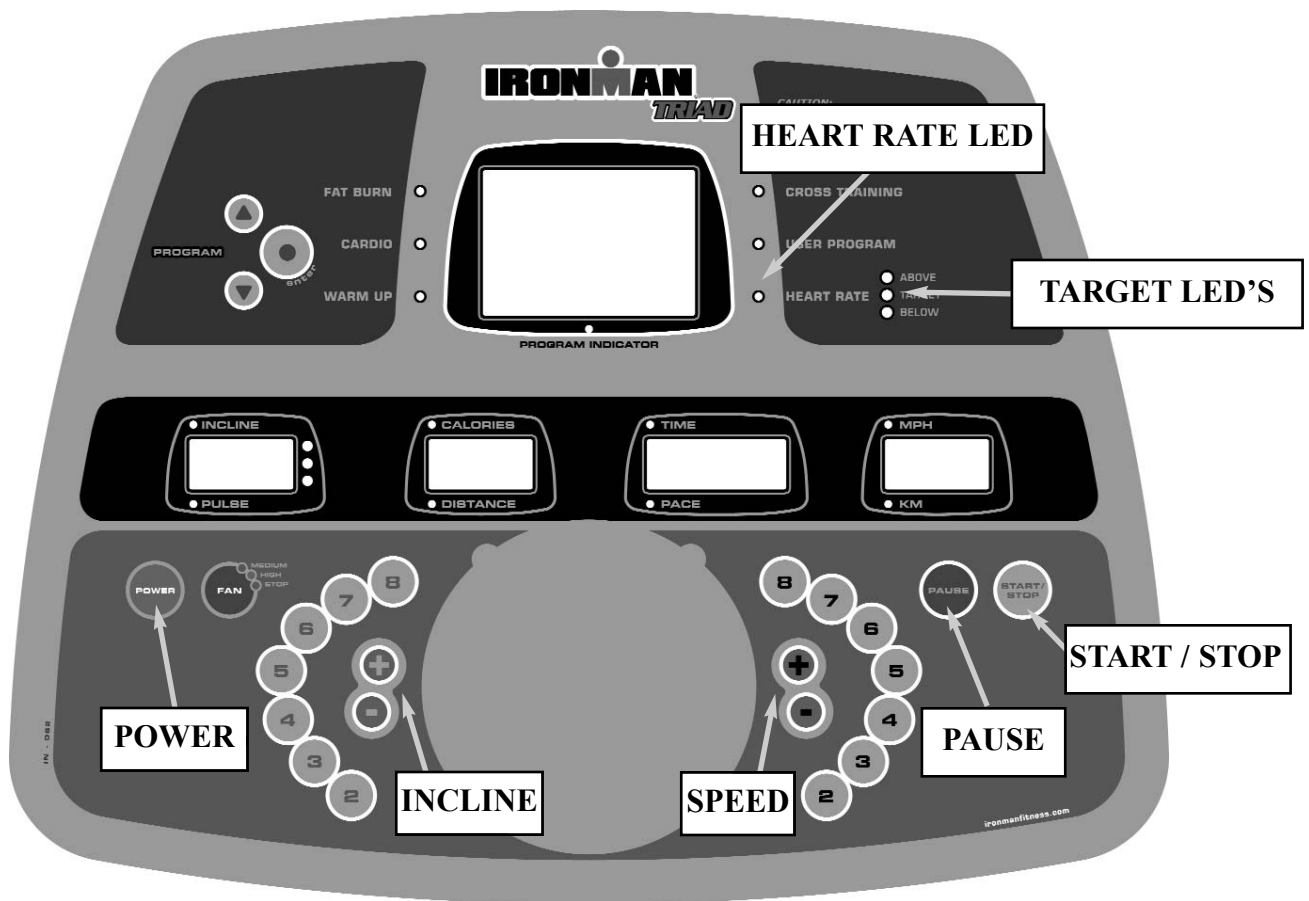
The treadmill may at any time be used in the Heart Rate Monitor Mode. If the signal from the chest strap is detected, heart rate BPM will be displayed in the INCLINE window. The incline will only be briefly displayed if manual or program changes are initiated. The Heart Rate program is designed to keep your heart at a desired amount of “beats per minute” by automatically adjusting the incline. For example, you have programmed in a desired heart rate of 125 BPM and your heart rate is only at 110 BPM. If you are wearing the Heart Rate Transmitter, correctly the incline will automatically increase to intensify the work load, causing your heart rate to slowly climb to 125 BPM. The treadmill will attempt to maintain your target heart rate through adjustments to the incline for the remainder of your workout. In the same respect, if your heart rate is above your programmed amount of BPM’s, the incline will automatically decrease to lower your heart rate. You may at any time during the Heart Rate Program adjust/override the speed and/or the incline by simply pressing the correct corresponding button. You may also change your “Target Heart Rate” at any time by pressing the PROGRAM UP or PROGRAM DOWN button.

HEART RATE PROGRAM OPERATION

1. Plug treadmill into a surge protector outlet. Attach the Red Safety Key on to the treadmill console.
2. Stand on the treadmill and straddle belt. Attach safety key clip to your clothes.
3. Press POWER button. Place the Heart Rate Transmitter strap across your chest and connect ends. (Make sure your skin is moist and the strap is snug for accurate transmission). At this time, if the display is receiving a signal from the chest strap, the incline window will begin to settle on your current heart rate.
4. Press the PROGRAM UP button until the HEART RATE LED is on. The incline window will momentarily flash ‘125’, which is the default program target heart rate.
5. The TIME/PACE window will blink. Use the + or - arrows to select your workout time. Press ENTER PROGRAM.
6. The SPEED window will then blink. Use the + or - arrows to select the speed for your workout. Press ENTER PROGRAM.
7. The incline window (if receiving your heart rate accurately) will show current BPM, and the small red light labeled PULSE adjacent to the incline window, will be illuminated. (If the receiver is not receiving an accurate reading, the incline window will be flashing - - -).
8. To adjust the pre-set target heart rate press the PROGRAM UP or PROGRAM DOWN button then press the ENTER PROGRAM button.
9. Press START/STOP button. Belt will begin to move after 4 seconds. Step on belt slowly after the belt starts moving.
10. Press START/STOP button. Belt will begin to move after 4 seconds. Step on belt slowly after the belt starts moving.

The small light on the console labeled TARGET will be illuminated if you are at your target. If you are not, the ABOVE or BELOW lights will illuminate and reflect if you are above or below your goal. If you are not within 25 BPM of your “Target heart rate” the program will not work. DO NOT STOP TO START OVER. Continue exercising and your heart rate will naturally increase. The program will continually monitor your heart rate and periodically adjust the incline up or down to increase or decrease the resistance thereby keeping you at your target zone. At the conclusion of the programmed time the TIME window will flash 00:00 and the CALORIES/DISTANCE window will continue to accumulate values. The treadmill will continue operation until the START/STOP button or the PAUSE button is pressed. Press the POWER button to turn off the treadmill.

Program Instructions: Heart Rate Mode



Monitoring Your Heart Rate



Monitoring Your Heart Rate

To obtain the greatest cardiovascular benefits from your exercise workout, it is important to work within your target heart rate zone. The American Heart Association (AHA) defines this target as 60%-75% percent of your maximum heart rate.

Your maximum heart rate may be roughly calculated by subtracting your age from 220. Your maximum heart rate and aerobic capacity naturally decreases as you age. This may vary from one person to another, but use this number to find your approximate effective target zone. For example, the maximum heart rate for an average 40 year-old is 180 bpm. The target heart rate zone is 60%-75% of 180 or 108-135 bpm. See ***Fitness Safety*** below.

Before beginning your workout, check your normal resting heart rate. Place your fingers lightly against your neck, or against your wrist over the main artery. After finding your pulse, count the number of beats in 10 seconds. Multiply the number of beats by six to determine your pulse rate per minute. We recommend taking your heart rate at these times; at rest, after warming up, during your workout and two minutes into your cool down, to accurately track your progress as it relates to better fitness.

During your first several months of exercising, the AHA recommends aiming for the lower part of the target heart rate zone-60%, then gradually progressing up to 75%.

According to the AHA, exercising above 75% of your maximum heart rate may be too strenuous unless you are in top physical condition. Exercising below 60% of your maximum will result in minimal cardiovascular conditioning.

Check your pulse recovery rate – If your pulse is over 100 bpm five minutes after you stop exercising, or if it's higher than normal the morning after exercising, your exertion may have been too strenuous for your current fitness level. Rest and reduce the intensity next time.

Fitness Safety *The target heart rate chart indicates average rate zones for different ages. A variety of different factors (including medication, emotional state, temperature and other conditions) can affect the target heart rate zone that is best for you. Your physician or health care professional can help you determine the exercise intensity that is appropriate for your age and condition.*

(MHR) = Maximum Heart Rate

(THR) = Target Heart Rate

$220 - \text{age} = \text{maximum heart rate (MHR)}$

$\text{MHR} \times .60 = 60\% \text{ of your maximum heart rate.}$

$\text{MHR} \times .75 = 75\% \text{ of your maximum heart rate.}$

For example, if you are 30 years old, your calculations will be as follows:

$220 - 30 = 190$

$190 \times .60 = 114$ (low end or 60% of MHR)

$190 \times .75 = 142$ (high end or 75% of MHR)

30 year-old (THR) Target Heart Rate would be 114-142

See Heart Rate Table (on next page) for additional calculations.

TARGET HEART RATE ZONE

100%

Serious athletic training range

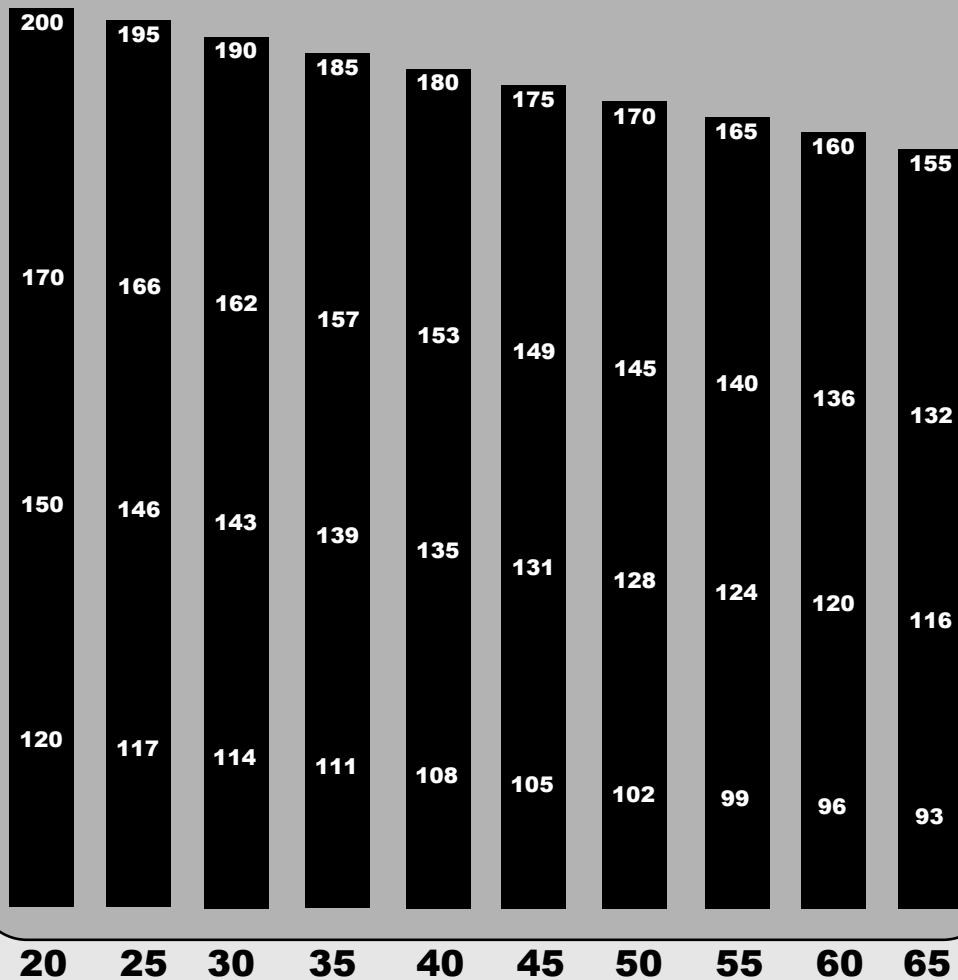
85%

Cardiovascular conditioning range

75%

Fat burning range

60%



AGE

Frequency, Intensity, Time, Target Heart Rate Zone

The exercise practices include four major variables: frequency, intensity, time, target heart rate zone. A continuous workout will help to improve your cardiovascular functions and increase the ability of your muscles to obtain the oxygen and nutrition. A good workout provides a greater advantage to extend the endurance of muscle and body flexibility.

Frequency: How Often Should You Exercise

Three to five times a week is highly suggested to improve your cardiovascular and muscle fitness.

Intensity: How Hard Should You Exercise

The intensity of an exercise is reflected in your heart rate. Exercise must be sufficient to strengthen your heart muscle and condition your cardiovascular system. Only your doctor or an authorized coach can prescribe the target training heart range appropriate for your particular needs and physical condition.

Start with exercise that stimulates you to breathe more deeply. Alternate periods of moderate and easy exercise to help your body adapt to new levels of exertion without unnecessary strain. The inability to maintain a smooth, rhythmic motion is a sign that you speeded and/or elevated too high. If you feel out of breath before you have exercised 12 minutes, you are probably overdoing it.

As your fitness level improves, you will need to increase your workload to reach your target heart rate. The first increase may be necessary after two to four weeks of regular exercise. Never exceed your target heart rate zone.

Weight Management

Consistent aerobic exercise will help you change your body composition by lowering your percentage of body fat. For weight control, how long and how often you exercise is more important than how hard you exercise.

- ◆ Exercise at least four to five times a week.
- ◆ Reach and maintain 60-75% of your maximum heart rate with moderate exercise.
- ◆ Exercise for 30-45 minutes at 60-65% of your target heart rate.

Here are some tips to achieve your weight management goal.

- ◆ Consume most of your dietary calories at breakfast and lunch, and eat a light dinner.
- ◆ Do not eat anything near the bedtime.
- ◆ Moderate exercise will help suppress your appetite.
- ◆ Take regular breaks and rests to help increase metabolism.

Warning!

If you have any questions or concerns about your target heart rate consult your physician. Medications may affect your heart rate. Stop exercise if: you feel faint or dizzy, acute illness (cold or fever), any pain or tightness in your chest, an irregular heartbeat, or if you exceed your maximum heart rate set by your physician.

Exercise Practice Procedures

Warm-Up → Workout → Cool Down

A good warm-up will help you perform better and will decrease the aches and pains. The warm-up prepares your muscles for exercise and allows your oxygen supply to ready itself for what is to come. Experience tells us that muscles perform best when they are warmer than normal body temperature. This normally takes about 5-10 minutes when you begin to perspire on your brow and breathe more deeply.

Note: The older you are, the longer your warm-up period should be.

Workout: Brisk and Rhythmic Exercise

A workout trains your heart, lungs, and muscles to be more efficient. Increase exercise in response to your heart rate to train and strengthen your cardiovascular system. Concentrate on moving your arms and legs smoothly. Walking naturally and avoid jerking motions like pulled muscles, sprained joints, and loss of balance.

If you cannot sustain 12 continuous minutes in your target heart rate zone, then, exercise several times a day to get into habit. Try to reach and maintain 60-65% of your maximum heart rate. Alternate exercise with periods of rest until you can sustain 12 continuous minutes of exercise at 60-65% of your maximum heart rate. Best start with a target 3-4 minutes, then, increase it gradually.

If you can sustain 12 but not 20 continuous minutes of exercise in your target heart rate zone:

Exercise 3-5 days a week. Rest at least two days per week.

Try to reach and maintain 65-70% of your maximum heart rate with moderate rhythmic exercises.

Begin with 12 continuous minutes. Increase your time by one to two minutes per week until you can sustain 20 continuous minutes.

If you can sustain 20 minutes continuously in your target heart rate zone, begin to increase the length and intensity of your workout.

Exercise 4-6 days a week or on alternate days.

Try to reach and maintain 70~85% of your maximum heart rate with moderate to somewhat hard exercise.

Exercise 20-30 minutes.

WARNING: These strategies are intended for average healthy adults. If you have pain or tightness in your chest, an irregular heartbeat, shortness of breath or you feel faint or have any discomfort when you exercise STOP. Consult your physician before continuing. Remember every workout should begin with warm-up and finished with cool-down.

Cool down: Slow and Relaxed Exercise

The cool-down allows your body's cardiovascular system to gradually return to normal and should be roughly 5-10 minutes. Lower your exercise intensity gradually, and when your heart rate has returned below 110 beats per minutes, you can end your workout.

EXERCISE GUIDELINES

WARNING! Before beginning this or any exercise program, you should consult your physician. This is especially important for individuals over the age of 35 or individuals with pre-existing health problems.

Warming up prepares the body for the exercise by increasing circulation, supplying more oxygen to the muscles and raising body temperature. Begin each workout with 5 to 10 minutes of stretching and light exercise to warm up. The photos on this page show several forms of basic stretching you may perform before your workouts. In order to achieve an adequate warm-up, perform each stretch three times.

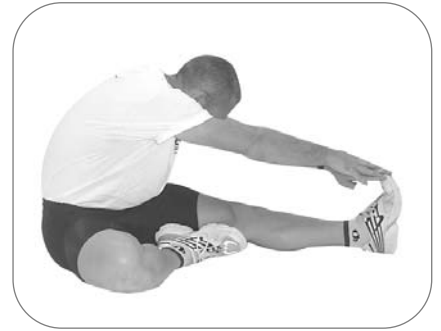
TOE TOUCH STRETCH

Stand, bending your knees slightly and slowly bend forward from your hips. Allow your back and shoulders to relax as you reach down toward your toes as far as possible. Hold for 15 counts, then relax. This will stretch your hamstrings, back of knees, and back.



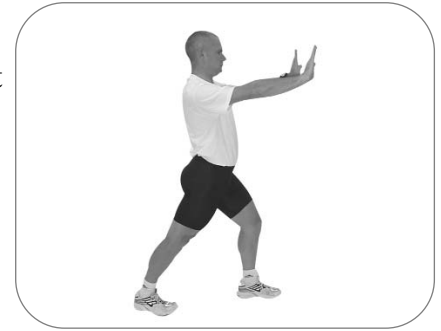
HAMSTRING STRETCH

Sit with one leg extended. Bring the sole of the opposite foot toward you and rest it against the inner thigh of your extended leg. Reach toward your toes as far as possible. Hold for 15 counts, then relax. This will stretch your hamstrings, lower back, and groin.



CALF/ACHILLES STRETCH

With one leg in front of the other, reach forward and place your hands against a wall. Keep your back leg straight and your back foot flat on the floor. Bend your front leg, lean forward and move your hips toward the wall. Hold for 15 counts, then relax. To cause further stretching of the Achilles tendon, bend your back leg as well. This will stretch your calves, Achilles tendons, and ankles.



QUADRICEPS STRETCH

With one hand against a wall for balance, reach back and grasp one foot with your other hand. Bring your heel as close to your buttocks as possible. Hold for 15 counts, then relax. This will stretch your quadriceps and hip muscles.



INNER THIGH STRETCH

Sit with the soles of your feet together and your knees outward. Pull your feet toward your groin area as far as possible. Hold for 15 counts, then relax. This will stretch your quadriceps and hip muscles.

Change to MPH or KPH

Your treadmill will operate in British Units (miles per hour) or International Units (kilometers per hour). All treadmills are calibrated at the factory for British Units (miles per hour). To change the display to read in kilometers, follow the steps described here:

- 1) Turn power OFF on the console. (Do not unplug treadmill.) Attach the magnet safety key to the console.
- 2) Activate the calibration mode switch by inserting the eraser end of a pencil into the opening in the backside of the console (see diagram below).
- 3) Depress the calibration mode switch ONCE. CL11 should appear in the TIME window.
- 4) Pressing the SPEED +/- button will activate your choice.
- 5) To accept the setting, press the POWER button.



Calibration Sequence



Do not attempt to calibrate the treadmill unless an Error Code is present. See Error Messages (page 27). Our treadmill is equipped with a software package that will perform a calibration sequence unique to your specific model number.

Please perform the following steps to calibrate the **Ironman TRIAD Treadmill**.

1. Unplug power cord from outlet strip.
2. Attach Safety Key to console.
3. Plug power cord into outlet strip.
4. Initiate calibration sequence. Locate the hole on the back of the console and insert the eraser end of a pencil through the hole and press the calibration switch **twice**. As show on **page 23**.
5. **CL21** should appear in the Time window, if not, continue to press the calibration switch until CL21 appears.

Note: During the calibration sequence, the Time window will display which step you are at in the process (C21, C22, C23 and so on). The CAL/DIST window will display which key should be pressed next. For example, “E” for Enter, “P” for Power, or “SS” for Start / Stop.

6. **CL21:** MPH or KPH will be flashing in the Speed window, pressing the Speed +/- button will toggle options. Choose **MPH** (KPH), press Enter.
7. **CL22:** 8, 10, or 12 (13, 16, or 20 in KPH mode) will be displayed in the Speed window, pressing the Speed +/- button will toggle options. Choose **10** (or 16 for KPH mode), press Enter.
8. **CL23:** FFF, UUU, or HHH will be displayed in the Speed window, pressing the Speed +/- button will toggle options. Choose **UUU**, press Enter.
9. **CL24:** 111 or 222 will be displayed in the Speed window, pressing the Speed +/- button will toggle options. Choose **222**, press Enter.
10. **CL25:** “---” will be displayed in the Speed window, press Enter.
11. **CL26:** OPA or OPI will be displayed in the Speed window, pressing the Speed +/- button will toggle options. Choose **OPA**, press Enter.
12. **CL27:** Blank (nothing), “a”, “b”, “c”, “d” or “e” will be displayed in the Incline window, pressing the Speed +/- button will toggle options. Choose **“a”**, press Enter.
13. CAL/DIST window will display **“55”**. Press Start / Stop. **“E”** will display in CAL/DIST window.
14. At this time, make sure you are not standing on the walking belt, as the machine will automatically initiate belt movement and run through a complete calibration and diagnostic routine.

Press **Enter**. Belt will begin to move. Unit will begin self-calibration.

15. When Speed and Incline calibration has finished, press Power button **twice**, display should be blank, and treadmill should be ready for use.

To avoid possible damage to the treadmill and the possibility of injury, do not operate the treadmill until the problem is corrected. Call Ironman Fitness Customer Service at (800) 750-4766 if problem persists.

Belt Adjustment

WARNING! Do not over-tighten rollers! This will cause premature roller bearing failure!

Belt adjustment and tension performs two functions: adjustment for tension and centering. Your new treadmill comes pre-adjusted from the factory for tension and centering. Please follow the procedures below if the belt shifts to the left or right while walking:

WALKING BELT IS SHIFTING TO THE LEFT (Diagram 1)

First, turn treadmill on to run at 1 mph. Using the hex key provided, turn the left rear roller adjustment bolt $\frac{1}{4}$ turn in the clockwise direction. Next, run the treadmill at 2.5 mph. You should see the belt start to correct itself by moving back toward the center. Repeat the above procedure until the walking belt is centered. It may be necessary to set walking belt tension once you have completed this procedure if the belt feels like it is slipping while walking. Refer below to the “Walking Belt Slipping” instructions.



Diagram 1

WALKING BELT IS SHIFTING TO THE RIGHT (Diagram 2)

First, turn the treadmill on to run at 1 mph. Using the hex key provided, turn the right rear roller adjustment bolt $\frac{1}{4}$ turn in the clockwise direction. Next, run the treadmill at 2.5 mph. You should see the belt start to correct itself, moving back toward the center. Repeat the above procedure until the walking belt is centered. It may be necessary to set walking belt tension once you have completed this procedure if the belt feels like it is slipping while walking. Refer below to the “Walking Belt Slipping” instructions.



Diagram 2

WALKING BELT IS SLIPPING DURING USE (Diagram 3)

First, unplug the power cord from the surge protector. Using the hex key provided, turn both left and right rear roller adjustment bolts the same distance, usually a $\frac{1}{4}$ turn, in the clockwise direction. Plug the power cord back into the surge protector and run the treadmill at 2.5 mph. You should now walk on the belt to determine if the belt is still slipping. Repeat the above procedure until the walking belt is not slipping. The tension should be just tight enough not to slip.



Diagram 3

Note: Turning the hex key counter clockwise brings the rear rollers and belt towards you.

Turning the hex key clockwise pushes the rear roller and belt away from you.

Maintenance Instructions



WARNING! Before performing any maintenance to your treadmill, always unplug the power cord from the surge protector.

CLEANING: Routine cleaning of your unit will extend the life of your unit.

WARNING! To prevent electrical shock, be sure the power to the treadmill is OFF and the unit is unplugged from the wall electrical outlet before attempting any cleaning or maintenance.

AFTER EACH WORKOUT: Wipe off the console and other treadmill surfaces with a clean, water dampened soft cloth to remove excess perspiration. **USE NO CHEMICALS.**

WEEKLY: Use of a treadmill mat is recommended for ease of cleaning. Dirt from your shoes contacts the belt and eventually makes it to underneath the treadmill. Vacuum underneath treadmill once a week.

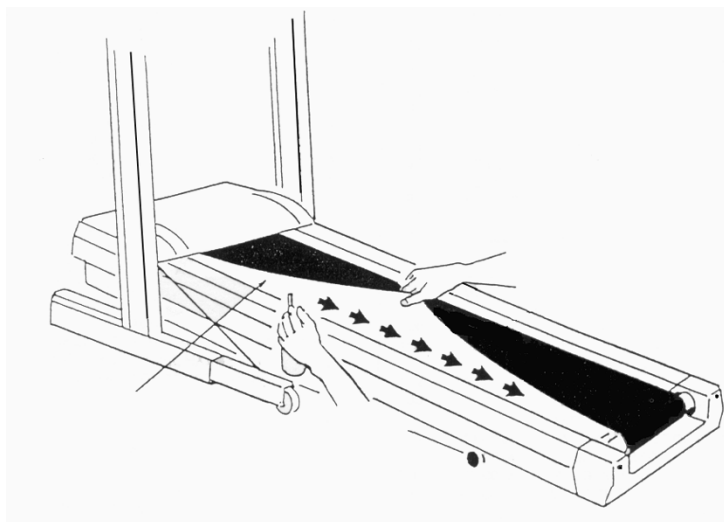
DECK LUBRICATION: The walking belt has been pre-lubricated at the factory. However, it is recommended that the walking board be checked periodically for lubrication to ensure optimal treadmill performance.

Every 30 days or 30 hours of operation, lift the sides of the walking belt and feel the top surface of the walking board as far under as you can reach. If you feel signs of silicone, no further lubrication is required. If it feels dry to the touch, lubrication is needed. Ironman Fitness recommends “Lube N Walk” for cleaning and lubricating the treadmill belt and deck. Ask your retailer or call Ironman Fitness at (800) 750-4766. You may also use silicone such as “Napa 8300” (available at most NAPA Auto Parts stores).

TO APPLY LUBRICANT TO THE WALKING BOARD

- 1) Position the walking belt so that the seam is located on top and in the center of the center of the walking board.
- 2) Insert the spray nozzle into the spray head of the lubricant can.
- 3) While lifting the side of the walking belt, position the spray nozzle between the walking belt and the board approximately 6” from the front of the treadmill. Apply the silicone spray to the walking board, moving from the front of the treadmill to the rear. Repeat this on the other side of the belt. Spray approximately 4 seconds on each side.
- 4) Allow the silicone to ‘set’ for one minute before using the treadmill.

WARNING: Do not over-lubricate the walking board. Excess lubricant should be wiped off with a clean towel.



Treadmill Error Messages.

Your treadmill is equipped with a software package that enables error messages to be displayed when there is a problem. The following error codes will be displayed in the console display windows.

Safety Interlock Error Messages

SI 1 - Safety key missing, replace and try again.

SI 2 - Over voltage protection trip. Notify Ironman Fitness Customer Service.

Other Error Messages

E11 - Lack of speed feedback data from belt motor. Attempt calibration. See Calibration Sequence section on **page 24** of this Owners Manual for detailed information.

E22 - Under Speed condition detected from the belt motor. Attempt calibration. See Calibration Sequence section for detailed information.

E33 - Over Speed condition detected from the belt motor. Attempt calibration. See Calibration Sequence section for detailed information.

E44 - Stuck key detected at power up, Notify Ironman Fitness Customer Service.

To avoid possible damage to the treadmill and the possibility of injury, do not operate the treadmill until the problem is corrected. Call Ironman Fitness Customer Service at (800) 750-4766.

Treadmill will not start.

1. Is the **Safety Key** inserted into the treadmill Console?
2. Make sure the power cord is plugged into a surge protector, the surge protector is plugged into a properly grounded outlet, and the surge protector is turned on. (Refer to “Power Requirements” on **page 11.**)
3. Check the circuit breaker located on the front of the treadmill. If the switch protrudes, it has tripped. Wait five minutes and then press the switch back in.
4. Check the house electrical breaker box and the circuit breaker for the room where the treadmill is located. If it has tripped, reset or have an electrician replace the breaker in home.
5. Have an electrician check to insure there is adequate voltage at the outlet.

Treadmill loses power during use.

1. Check the circuit breaker located on the front of the treadmill. If the switch protrudes, it has tripped. Wait five minutes and then press the switch back in.
2. Check the house electrical breaker box and the circuit breaker for the room where the treadmill is located. If it has tripped, reset or have an electrician replace the breaker in home.
3. If the treadmill will not operate, please call Ironman Fitness Customer Service at (800) 750-4766.

Treadmill walking belt slows during use.

1. Check to make sure the treadmill is securely plugged into an UL-listed surge protector, rated at 15 amps, with a 14-gauge cord of five feet or less and the surge protector is securely plugged into the outlet.
2. If treadmill will not operate, please call Ironman Fitness Customer Service at (800) 750-4766.

Treadmill walking belt slips or is not centered on rear roller.

1. Refer to “Belt Adjustment” section on **page 25.**
2. Need help? Call Ironman Fitness Customer Service at (800) 750-4766.

Treadmill Error Messages.

Your treadmill is equipped with a software package that enables error messages to be displayed when there is a problem.

To avoid possible damage to the treadmill and the possibility of injury, do not operate the treadmill until the problem is corrected. Call Ironman Fitness Customer Service at (800) 750-4766, or see “Error Messages” on page 27 of this Owner’s Manual.

Parts List



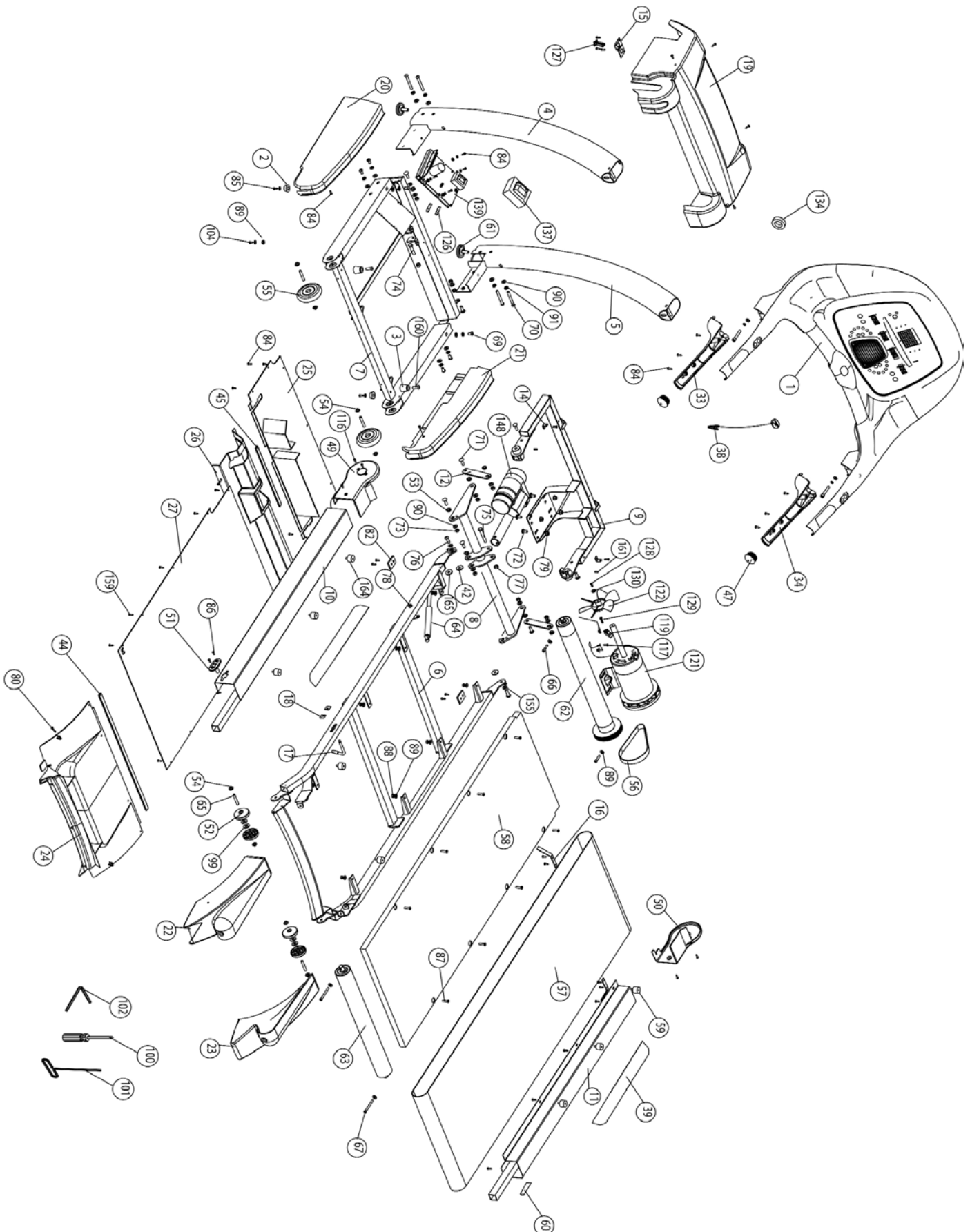
Ironman TRIAD Treadmill Parts List

REF#	KEYS	PART#	DESCRIPTION	QTY.	REF#	KEYS	PART#	DESCRIPTION	QTY.
1		423-00008	Cross Bar	1	54		402-00046	Clip Nut	8
2		406-00055	Base Bumper	2	55		406-00034	Transport Wheel	2
3		406-00056	Long Bumper	2	56		404-00004	Poly V-Belt 190J8	1
4		423-00009	Left Upright	1	57		404-00006	Running Belt	1
5		423-00010	Right Upright	1	58		403-00005	Deck Board	1
6		423-00011	Deck Frame	1	59		406-00035	Deck Bumper	7
7		423-00012	Base	1	60		410-00014	Allen Wrench Hanger	1
8		419-00007	Elevation Frame	1	61		406-00045	Adjust Support	2
9		419-00008	Motor Frame	1	62		409-00003	Front Roller	1
10		405-00008	Side Board-Latch Side	1	63		409-00004	Rear Roller	1
11		405-00009	Side Board-Right	1	64		410-00019	Gas Spring	1
12		419-00010	Linkage Bracket	2	65		419-00012	Rear Wheel Shaft	4
13		419-00009	Reed Switch Plate	1	66		402-00051	Shoulder Allen Bolt 1/4"-20 x63.5mm	2
14		419-00011	Side Motor Cover Bracket	2	67		402-00052	Shoulder Allen Bolt 1/4"-20 x28.5mm	2
15		410-00015	Power Cord Bracket	1	68		402-00053	Shoulder Allen Bolt 5/16"-18 x45mm	4
16		410-00016	Belt Guide Bracket- Board Mounted	2	69		402-00054	Allen Bolt 5/16"-18 x15mm	6
17		410-00012	Latch Pin	1	70		402-00055	Allen Bolt 5/16"-18 x70mm	4
18		410-00013	Latch Guide Plate	2	71		402-00056	Carriage Bolt 5/16"-18 x25.4mm	9
19		406-00036	Motor Cover	1	72		402-00057	Carriage Bolt 5/16"-18 x19mm	4
20		406-00037	Left Fender	1	73		402-00058	Nylon Lock Nut 5/16"-18x8.9mm	9
21		406-00038	Right Fender	1	74		402-00059	Hex Bolt 3/8"-16x45mm	1
22		406-00039	Left End Cap	1	75		402-00060	Hex Bolt 3/8"-16x63.5mm	1
23		406-00040	Right End Cap	1	76		402-00061	Allen Bolt 3/8"-16x40	2
24		406-00048	Molded Rear Pan	1	77		402-00062	Nylon Lock Nut 3/8"-16x11.5mm	2
25		406-00049	Front Bottom Pan	1	78		402-00063	Nylon Lock Nut 5/16"-18 x8.9mm	2
26		406-00050	Rear Bottom Pan	1	79		402-00047	Jam Nut 5/16"-18	4
27		406-00094	Bottom Sheet	1	80		402-00064	Screw ST4.2x32	2
28		406-00021	Main Console Box (B)	1	81		402-00065	Screw ST4.8x16	6
29		406-00022	Left Top Handle Cover	1	82		406-00095	Square Bumper	2
30		406-00023	Right Top Handle Cover	1	83		402-00118	Philip Screw ST4x16	19
31		406-00024	Left Pocket Bottom	1	84		402-00068	Philip Screw ST4.2x16	66
32		406-00025	Right Pocket Bottom	1	85		402-00069	Philip Screw ST2.9x9.5	15
33		406-00026	Left Bottom Handle Cover	1	86		402-00119	Philip Screw 10-24" x42.5mm	2
34		406-00027	Right Bottom Handle Cover	1	87		402-00071	Chamfer Bolt 1/4"-20 x 25mm	8
35		406-00028	Reed switch Top Holder	1	88		402-00072	Nylon Lock Nut 1/4"-20 x 6.5mm	8
36		406-00029	Reed switch Bottom Holder	1	89		402-00073	Washer 6.6x12x1.6mm	4
37		406-00054	Console B Insert for 5 Wind LED	1	90		402-00074	Washer 9x16x1.6mm	17
38		402-00090	Kill switch magnet	1	91		402-00075	Spring Washer 8mm	16
39		414-00014	Anti -Skid Pads	2	92		410-00020	Pulse Receptacle Plate-Top	2
40		406-00030	Fan Grill	1	93		410-00021	Pulse Receptacle Plate-Bottom	2
41		406-00032	Fan Motor Mount	1	94		402-00076	Philip Screw ST4.2x9.6	4
42		402-00091	Plastic Washer	2	95		402-00077	Philip Screw M2.5x6	2
43		402-00049	Clip Nut	3	96		402-00078	Washer 2.5x5x0.5mm	2
44		405-00004	T Extrusion	1	97		402-00079	Spring Washer 2.5mm	2
45		405-00005	S Extrusion	2	98		402-00080	Gear Washer D2.5	2
46		406-00041	Plug Calibration hole	1	99		402-00048	Pan Spring Washer 10x19x0.25mm	6
47		406-00033	Dome End cap 35mm	2	100		410-00022	Wrench 6x117mm	1
48		406-00047	Console Fan	1	101		410-00023	Allen Wrench 3/16"	1
49		406-00042	Left Sideboard Cover	1	102		410-00024	Allen Wrench 7/32"	1
50		406-00043	Right Sideboard Cover	1	103		410-00025	Glue	2mg
51		410-00018	Latch Guide	1	104		406-00096	Base Bumper	1
52		406-00044	Rear Wheel	4	105		410-00027	Bolt Glue	4g
53		402-00050	Powder Metal Bushing	9	106		410-00028	Silicone	30g

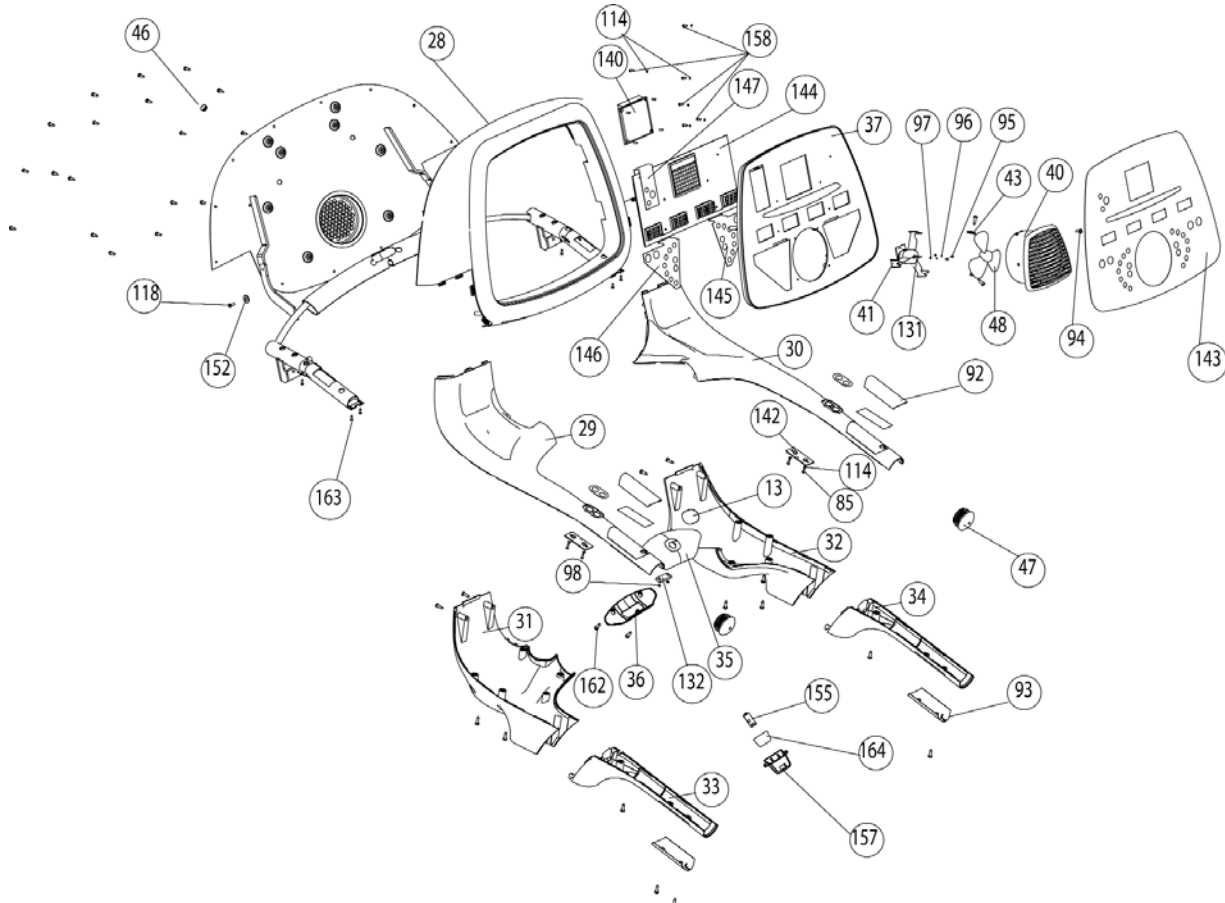
Ironman TRIAD Treadmill Parts List Cont.

REF#	KEYS	PART#	DESCRIPTION	QTY.	REF#	KEYS	PART#	DESCRIPTION	QTY.
107	410-00029		Double Adhesive	4	137	408-00016		Transformer (With Fan)	1
108	410-00030		Double Adhesive	1	138	413-00018		Fan Harness	1
109	410-00031		Adhesive Tape	1	139	407-00007		Motor Controller	1
110	410-00032		Double Adhesive	1	140	407-00008		EKG Module	1
111	410-00033		Loincloth Base	12	141	413-00019		Tel-line	1
112	410-00034		Loincloth	4	142	407-00006		Speed Incline PCB	2
113	410-00035		Loincloth	15	143	414-00022		Overlay TRIAD	1
114	402-00081		Plastic Washer	18	144	407-00010		5 Window LED PCB	1
115	402-00082		Washer 9x22x2mm	4	145	408-00018		Membrane Speed	1
116	402-00120		Philip Screw ST4.2x9.5	4	146	408-00019		Membrane Incline	1
117	402-00031		Philip Screw ST4.2x13	3	147	408-00020		Membrane Program	1
118	402-00085		Philip Screw 10-24" x12mm	1	148	412-00005		Actuator	1
119	408-00013		Speed Sensor	1	149	415-00012		Manual TRIAD	1
120	413-00012		Encoder Harness	1	150	402-00092		Allen Bolt	2
121	412-00004		Motor	1	151	406-00057		Power Cord Spacer	1
122	406-00046		Fan (motor)	1	152	402-00093		Gear Washer	1
123	413-00013		Console Harness	3pcs	153	402-00095		Washer	2
124	413-00014		SPD and INCL Harness	2	154	402-00094		Philip Screw	23
125	413-00015		EKG Harness	2	155	407-00011		HRC Receiver	1
126	408-00014		Fuse	1	156	407-00012		Chest Strap	1
127	408-00015		Circuit Break Switch	1	157	406-00097		HRC Receiver Housing	1
128	402-00086		Screw	1	158	402-00098		Philip Screw ST2.9x6.5	6
129	402-00087		Screw	1	159	402-00031		Philip Screw ST4.2x13	20
130	402-00088		Washer	1	160	402-00012		Allen Bolt M8x40	2
131	407-00005		Console Fan Motor	1	161	402-00099		Allen Bolt M5x8	2
132	413-00016		Reed Switch	1	162	402-00100		Philip Screw ST4.2x25	4
133	413-00017		Jumper Wire	1	163	402-00031		Philip Screw ST4.2x13	8
134	408-00017		Magnet Core	1	164	406-00060		Deck Bumper F25x19x16	1
135	402-00089		Wire Clip	4	165	406-00061		Deck bumper F41x3	2
136	413-00004		Power Cord	1	166	402-00121		Bolt Pack TRIAD	1

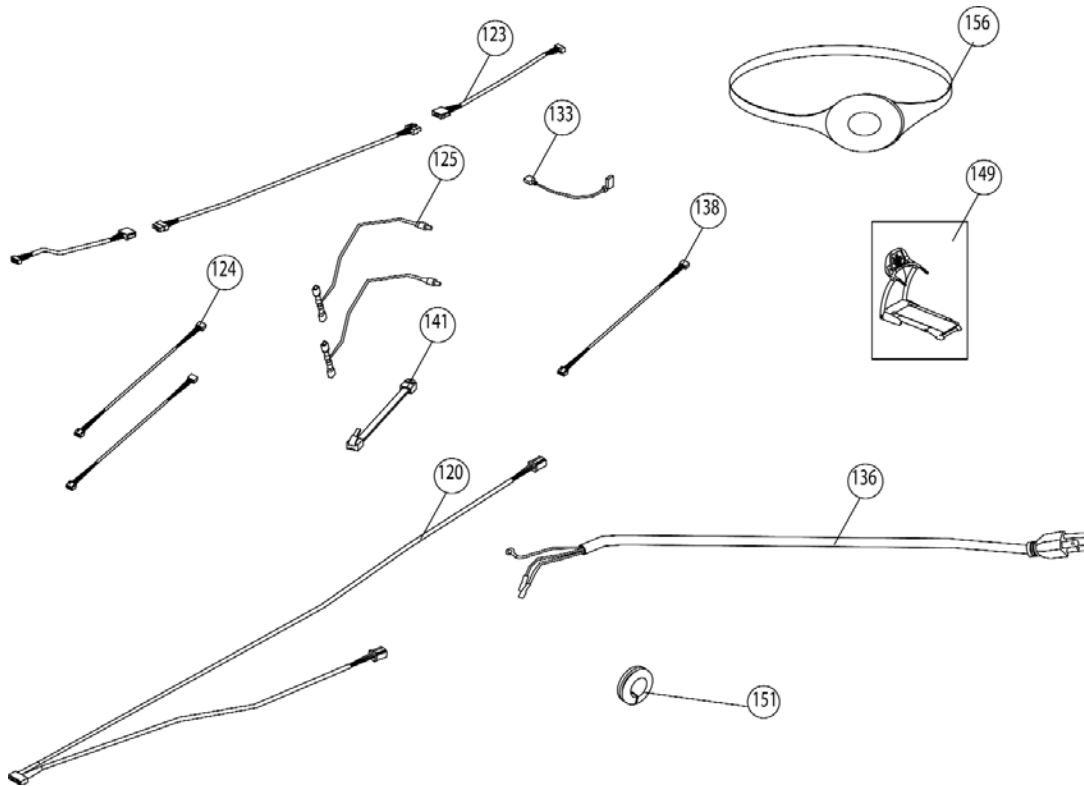
Exploded View



CONSOLE ASSEMBLY



WIRE HARNESS



IRONMAN FITNESS TRIAD LIMITED WARRANTY

Residential Warranty

Frame: Lifetime

Motor: 10 Years

Parts: 2 Years

Labor: 1 Year

This Limited Warranty applies in the United States and Canada to products manufactured or distributed by Ironman Fitness (“Ironman”) under the Ironman brand name. The warranty period to the original purchaser is listed above in the table.

Ironman warrants that the Product you have purchased for use from Ironman or from an authorized Ironman reseller is free from defects in materials or workmanship under normal use during the warranty period. Your sales receipt, showing the date of purchase of the Product, is your proof of purchase. This warranty only extends to you, the original purchaser. It is not transferable to anyone who subsequently purchases the Product from you. It excludes expendable parts (wear items). Wear items pertain to components that might need to be replaced due to normal wear and tear. These items vary per product but will include pedal straps, seats, grips, chains, bottom bracket assemblies, pads, etc. Please contact an Ironman customer service representative for specifics on wear items. This Limited Warranty becomes VALID ONLY if the product is purchased through an Ironman Fitness authorized dealer unless otherwise authorized by Ironman Fitness in writing.

During the warranty period Ironman will repair or replace (at Ironman’s option) the product if it becomes defective, malfunctions, or otherwise fails to conform with this Limited Warranty under normal use. In repairing the Product, Ironman may replace defective parts, or at the option of Ironman, serviceable used parts that are equivalent to new parts in performance. All exchanged parts and Products replaced under this warranty will become the property of Ironman. Ironman reserves the right to change manufacturers of any part to cover any existing warranty.

This warranty DOES NOT COVER shipping charges, export taxes, custom duties and taxes, or any other charges associated with transportation of the parts or Product.

To obtain warranty service, you must contact an Ironman authorized retailer, service technician or Ironman Fitness at our phone number located in this manual. Any parts determined to be defective must be returned to Ironman to obtain warranty service. You must prepay any shipping charges, export taxes, custom duties and taxes, or any other charges associated with transportation of the parts or Product. In addition, you are responsible for insuring any parts or Product shipped or returned. You assume the risk of loss during shipment. You must present Ironman with proof-of-purchase documents (including the date of purchase). Any evidence of alteration, erasing or forgery of proof-of-purchase documents will be cause to void this Limited Warranty.

This warranty does not extend to any product not purchased from Ironman or from an authorized Ironman reseller. This Limited Warranty does not extend to any Product that has been damaged or rendered defective; (a) as a result of accident, misuse, or abuse; (b) by the use of parts not manufactured or sold by Ironman; (c) by modification of the Product or normal wear and tear; (d) operation on incorrect power supplies; or (e) as a result of service by anyone other than Ironman, or an authorized Ironman warranty service provider. Product on which the serial number has been defaced or removed is not eligible for warranty service. Should any Product submitted for warranty service be found ineligible, an estimate of repair cost will be furnished and the repair will be made if requested by you upon Ironman’s receipt of payment or acceptable arrangements for payment.

EXCEPT AS EXPRESSLY SET FORTH IN THIS WARRANTY, IRONMAN MAKES NO OTHER WARRANTIES, EXPRESSED OR IMPLIED, INCLUDING ANY IMPLIED WARRANTIES OF MERCHANTABILITY AND FITNESS FOR A PARTICULAR PURPOSE. IRONMAN EXPRESSLY DISCLAIMS ALL WARRANTIES NOT STATED IN THIS LIMITED WARRANTY. ANY IMPLIED WARRANTIES THAT MAY BE IMPOSED BY LAW ARE LIMITED TO THE TERMS OF THIS LIMITED WARRANTY. NEITHER IRONMAN NOR ANY OF ITS AFFILIATES SHALL BE RESPONSIBLE FOR INCIDENTAL OR CONSEQUENTIAL DAMAGES. SOME STATES DO NOT ALLOW LIMITATIONS ON HOW LONG AN IMPLIED WARRANTY LASTS OR THE EXCLUSION OR LIMITATION OF INCIDENTAL OR CONSEQUENTIAL DAMAGES, SO THE ABOVE LIMITATIONS OR EXCLUSION MAY NOT APPLY TO YOU. This Limited Warranty gives you specific legal rights and you may also have other rights that may vary from state to state. This is the only expressed warranty applicable to Ironman-branded products. Ironman neither assumes nor authorizes anyone to assume for it any other express warranty.

PLEASE SEND IN THE ATTACHED WARRANTY CARD WITHIN TEN (10) DAYS OF PURCHASE TO REGISTER YOUR UNIT WITH IRONMAN FITNESS.

PLEASE MAIL WARRANTY CARD TO:

IRONMAN FITNESS, ATTN: WARRANTY DEPARTMENT, P.O. BOX 551239, DALLAS, TEXAS 75355-1239

REGISTER YOUR PRODUCT ONLINE AT:

WWW.IRONMANFITNESS.COM



Service

(800) 750-4766

Assembly

(888) 559-8810

Ironman Fitness Products

4009 Distribution Drive

Suite 250

Garland, TX 75041

www.ironmanfitness.com