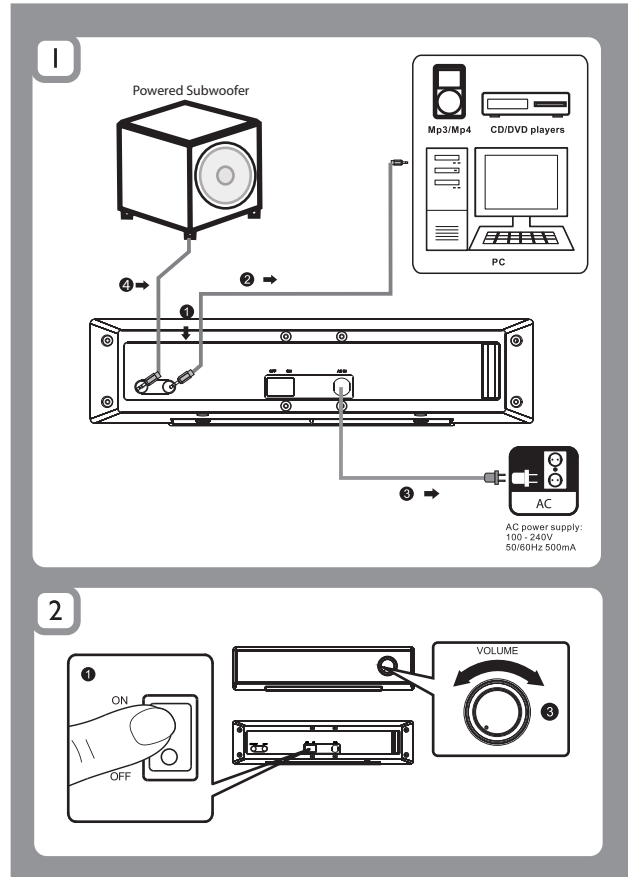


# AudioSource®

## SB121



### High Definition Multimedia Sound Bar



#### 1 Installation

1. Connect the 3.5mm stereo plug to the INPUT socket on the back of speaker.
2. Connect the other end of the 3.5mm stereo plug to the playback source such as PC, or CD player, or Mp3 player, etc. Any source with a 3.5mm stereo socket can be used.
3. Connect the power cable to the AC mains power supply.
4. Connect optional powered subwoofer

#### 2 Operation

1. Push the POWER button to turn on the multimedia speaker system.
  2. Make sure that your audio source is correctly configured.
  3. Adjust the volume with the volume control.
- > You can now enjoy the sound of your multimedia speaker system.

#### Specifications

<b>Output Power:</b>	2 x 5 watts
<b>Drivers:</b>	2 x 2" High Efficiency
<b>Dimensions</b>	12.8" x 3.15" X 2.95"
<b>Weight</b>	2.25 LBS
<b>Construction:</b>	ABS Case & Aluminium Grill

#### Features

- Compact Slim Design
- Simple, 1 Cable Connection
- Room Filling Sound
- 3.5 mm Stereo Input Jack
- 3.5 mm Stereo Output Jack

#### Compatible Applications



#### Two Year Limited Warranty

AudioSource a division of Peak Audio Group, Inc. warrants this product against defects in materials and workmanship for a limited period of time. For a period of two (2) years from date of original purchase, we will repair or replace the product, at our option, without charge for parts. Customer must pay for all labor charges associated with the removal and re-installation of this product for the limited period and all parts and labor charges after the limited warranty period expires. The limited warranty period for factory refurbished products expires after ninety (90) days from date of original purchase. This limited warranty applies only to purchases from authorized AudioSource Retailers or Distributors. This limited warranty is extended only to the original purchaser and is valid only to consumers in the United States.

Consumers are required to provide a copy of the original sales invoice from an authorized AudioSource Retailer or Distributor when making a claim against this limited warranty. This limited warranty only covers failures due to defects in materials or workmanship that occur during normal use. It does not cover failures resulting from accident, fire, flood, misuse, abuse, neglect, mishandling, misapplication, alteration, faulty installation, modification, service by anyone other than AudioSource, or damage that is attributable to Acts of God. It does not cover costs of transportation to AudioSource or damage in transit. The customer should return their defective product, freight prepaid and insured, to AudioSource only after receiving a Return Authorization.

Repair or replacement under the terms of this warranty does not extend the term of this warranty. Should a product prove to be defective in workmanship or material, the consumer's sole remedies will be repair or replacement as provided under the terms of this warranty. If the defective product is discontinued AudioSource may replace the product with an equivalent or superior product at its option. Under no circumstances shall AudioSource be liable for loss or damage, direct, consequential or incidental, arising out of the use of or inability to use the product. There are no express warranties other than described above.

**AudioSource®**

13970 SW 72nd Avenue ■ Portland, Oregon 97223  
503.914.4688 ■ Fax: 503.746.5224 ■ Support: 877.715.5439  
www.audiosource.net ■ support@audiosource.net