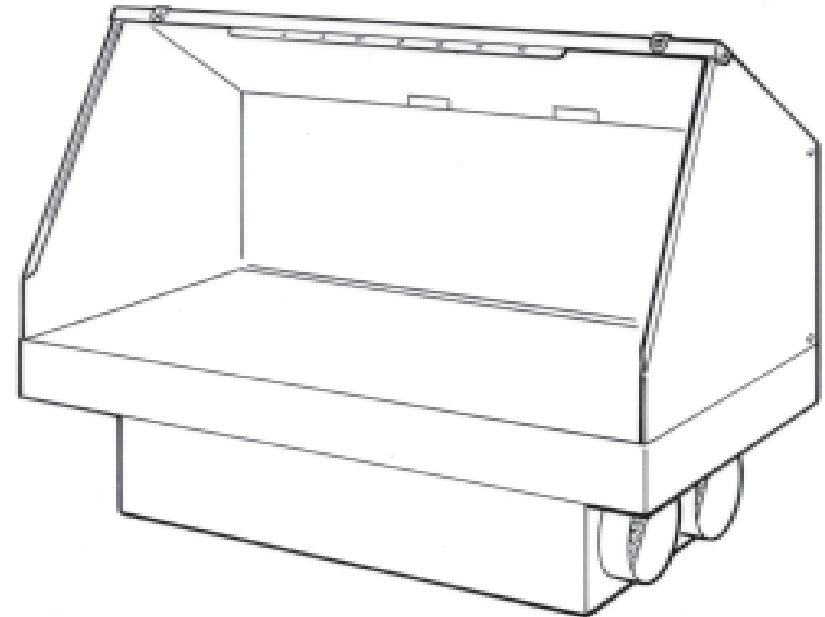


1530 SPRAY SYSTEM OWNER'S MANUAL

MODEL #225-345



If you need more information or help, please contact your local dealer,
or contact Artograph at:

Toll-free: (888) 975-9555 Tel: (763) 553-1112

Fax: (763) 553-1262 Email: info@artograph.com

Plug into your creativity at www.artograph.com

Made in the USA

ARTOGRAPH®

2838 Vicksburg Lane North, Plymouth, MN 55447-1878

ARTOGRAPH®

Plug into your creativity at www.artograph.com

LIMITED WARRANTY

Be sure to fill out and mail registration card immediately.

ARTOGRAPH Spray Booths are warranted to be free from defects in material and workmanship for ONE YEAR from the date of purchase by the consumer. Any part of the equipment found to be defective under normal installation and use during the warranty period will be repaired or replaced by **ARTOGRAPH**. The equipment should be returned, postage or freight prepaid, to **ARTOGRAPH** and must be accompanied by a proof of purchase. CONTACT OUR OFFICE, PRIOR TO RETURNING, FOR RETURN AUTHORIZATION.

THIS WARRANTY DOES NOT APPLY TO FILTER MEDIA.

Equipment repaired or replaced under warranty will be returned freight or postage prepaid. The warranty for repaired or replacement parts shall be for the duration of the original warranty. This warranty does not apply to equipment which has been subjected to abuse, accident, or alteration. The registration card must be filled out and returned to place the warranty into effect.

THIS WARRANTY IS IN LIEU OF ALL OTHER WARRANTIES, EXPRESSED OR IMPLIED, AND THE WARRANTIES OF MERCHANTABILITY AND FITNESS FOR A PARTICULAR PURPOSE ARE HEREBY EXCLUDED BEYOND THE ONE-YEAR DURATION OF THIS WARRANTY. Some states do not allow limitations on how long an implied warranty lasts, so the above limitation may not apply to you. This warranty gives you specific legal rights, and you may also have other rights which vary from state to state.

ARTOGRAPH, INC.
Plymouth, MN

NOTICE: The use of an ARTOGRAPH SPRAY-SYSTEM does not guarantee an environment 100% free of health risks from spray materials. Always refer to the aerosol/paint manufacturer's caution label of the Material Safety Data sheet for correct usage of spray materials.

THANK YOU...

...for purchasing your ARTOGRAPH SPRAY BOOTH. It is uniquely designed to insure a cleaner and safer working environment. Each SPRAY BOOTH product incorporates a specially designed multistage filter system and a high CFM (cubic feet per minute) exhaust motor to effectively collect most over-spray and local airborne contaminants and odors.

Your satisfaction is very important to us. If you have any questions, need further information, or would like to make some suggestions, please let us know. It is this kind of feedback that insures that we will continue to provide our customers with the highest quality products possible.

If you need parts or replacement filters, please contact your local ARTOGRAPH dealer, or use the handy order form enclosed to order direct from our factory.

IMPORTANT SAFEGAUARDS

When using this SPRAY BOOTH, always follow basic safety precautions, including the following:

1. Read and understand all instructions before operating.
2. DO NOT operate this equipment with a damaged cord, or if it has been dropped or otherwise damaged, until it has been examined by a qualified electrician.
3. If an extension cord is necessary, be sure it has a suitable current rating. Be careful to arrange the cord so that it will not be tripped over or pulled.
4. Always unplug from the electrical outlet when not in use. Disconnect by grasping and pulling the plug from the outlet; never yank the cord to disconnect the plug.
5. To avoid electrical shock hazard, do not disassemble. Take the unit to a qualified electrician. Incorrect reassembly can cause an electrical shock hazard.
6. Use only in an area with adequate ventilation. Refer to the Safety Data Sheets for the material being sprayed.
7. DO NOT operate unit near sparks, heat, or open flame.
8. DO NOT use in an explosive environment.
9. Follow all precautions and warnings printed on the spray material's label.

SAVE THESE INSTRUCTIONS

SET UP

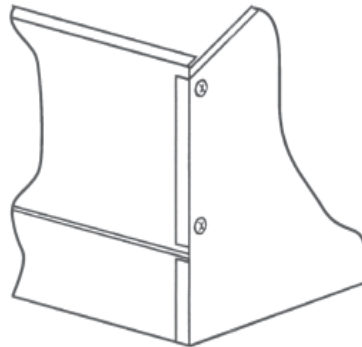
1. Unpack the 1530 and set it up on a sturdy surface in a well-ventilated area near an electrical receptacle. If you plan on venting the fumes to the outdoors, a window or an exit vent should be no farther than 8' from the unit.
2. The 1530 comes packed with an initial supply of filters. They include a polyester pre-filter material (5 sheets are included), a 1" polyester filter (this filter includes a special green tackifier material bonded to the bottom side to increase efficiency) and a 1/4" carbon-impregnated polyester material.
Remove these filters and set a side until the hood is installed.

HOOD ASSEMBLY

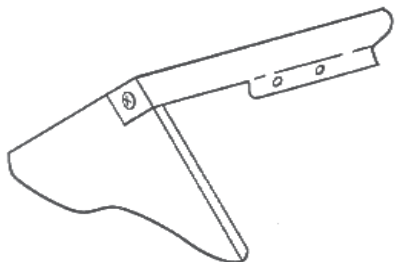
1. The Hood assembly includes the following:
 - 2 each side panels
 - 1 each back panel (with slit in bottom)
 - 1 each top brace
 - 1 each acrylic window
 - 2 clips
 - 8 screws

2. Attach side panels to back panel with 4 screws as shown in Fig. A.

A.



3. Mount top brace to each side panel as shown in Fig. B.



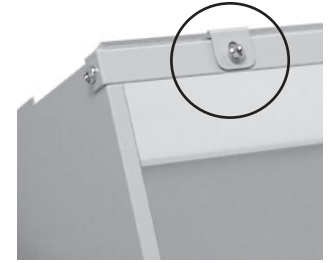
B.

4. Peel off protective film from acrylic sheet and mount onto the top

of the panels ensuring that the back edge of the acrylic sheet is underneath the back panel lip.

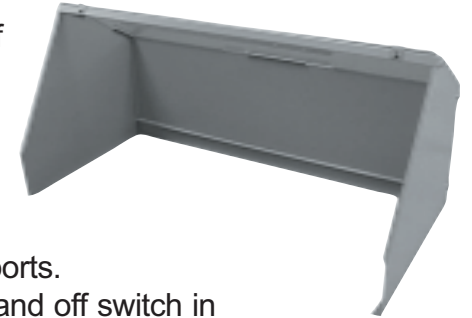
5. Secure acrylic sheet with two clips as shown in Fig. C.

C.



FINAL ASSEMBLY

1. Mount hood onto the top of the fan grate in the spray booth. The hood may be positioned in the spray booth in either direction depending on desired direction of the exhaust ports. Please note that the on and off switch is positioned on the opposite end of the booth from the exhaust ports.



2. Re-install the filters. The 1/4" poly-carb filter goes in first, followed by the 1" polyester filter (green side down). The pre-filter sheet goes on last. The pre-filter sheet can be mounted on either side.
3. Should you desire to exhaust the spray booth outside or to another location, two 4" diameter dryer type hose and clamps will be needed. Clamp the hose to the round exhaust ports and the other to a window or vent kit (available with hose). Do not use a hose longer than 8'; too long of a hose can create restrictions in exhaust flow.
4. Plug the power cord into a standard 115V outlet. Turn the unit on and your Spray-System is now ready to use.

OPERATION

1. Always place the item to be sprayed in the center of the filter. 3-D objects can be mounted on a piece of scrap cardboard or flat material that is slightly larger than the object.
2. Small parts may be hung with string or wire from the holes in the top brace for more convenient spraying.
3. Avoid mounting flat materials or objects that cover up more than 75% of the filter area. Restricted airflow and poor filtering will result.
4. After each use, leave the unit on for a few minutes, this will continue to circulate the air in the room and remove further airborne contaminants.

Please Note: Increased odors can be a clue to reduced filter effectiveness, but not necessarily. The 1530 spray booth will do an excellent job of reducing the over-spray from aerosols and airbrushes, but the intensity of odors vary from product to product. The 1530 will reduce the odors, but it will not totally eliminate them. Exhausting the fumes outdoors is the best remedy for eliminating odors.

ROUTINE MAINTENANCE

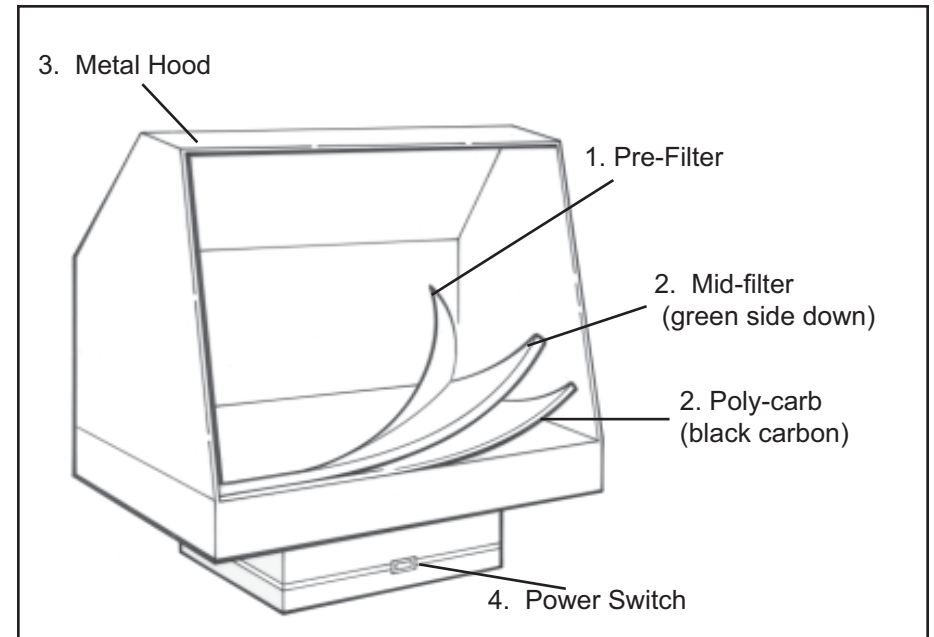
Filters (see illustration on next page) – Available from where you purchased your spray booth or directly from Artograph. See enclosed ordering blank or contact our web site at www.artograph.com

Pre-Filter Material – Replace whenever it becomes soiled or coated. Sheets may be replaced with an economical roll. See optional accessories (about every 90 surface-sprays).

Polyester filter/Poly-carb filter – Replace these filters as a unit

when the polyester filter becomes visibly soiled or coated. It is recommended that they be replaced approximately every three months.

REPLACEMENT PARTS



- | | | |
|----|---------|--|
| 1. | 225-346 | 1530 Pre-Filter (20 sheet pack) |
| 2. | 225-347 | 1530 Filter Pak (4 ea. mid-filter & poly-carb) |
| 3. | 200-765 | 1530 Metal Hood |
| 4. | 145-261 | Power Switch |
| 5. | 145-535 | Fan Motor (2) <i>Not Shown</i> |

OPTIONAL ACCESSORIES

- | | | |
|----|---------|-------------------------------|
| 1. | 225-348 | 1530 Roll Filter Tray |
| 2. | 225-349 | 30" x 50 yard Pre-Filter Roll |