



APARTMENT REFRIGERATORS

SERVICE MANUAL

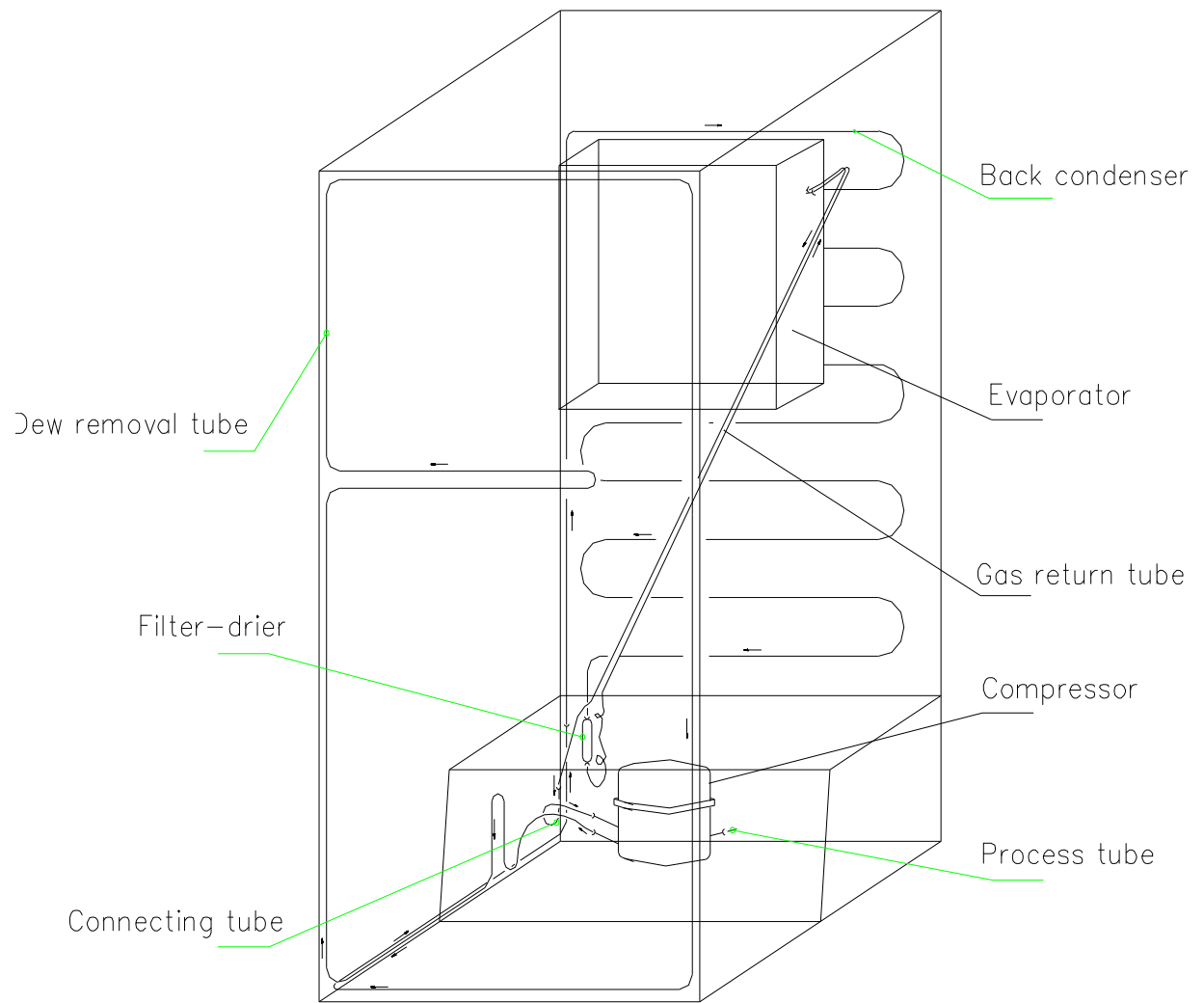
MODELS: RF 800 & RF 1000

RF 800 & RF 1000

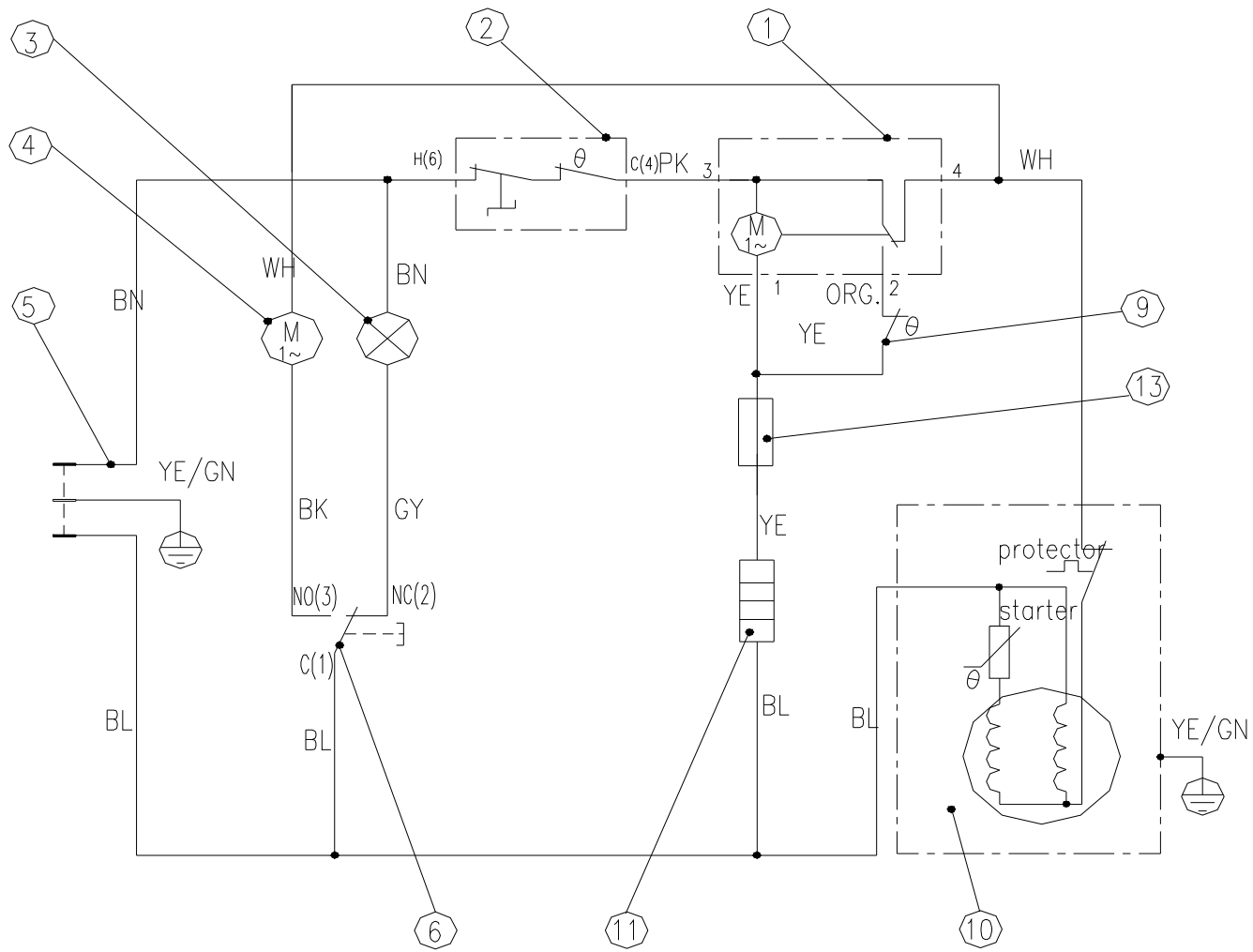
Product Specification for Refrigerator

Model No.		RF 1000	RF 800
National		BCD-280W/H	BCD-226W/H
Type		Top-mounted with no frost	
Capacity			
Gross	Total/L	364	294
	Freezer/L	91	91
	Refrigerator/L	273	203
Net	Total/ L	280	226
	Freezer/L	70	70
	Refrigerator/L	210	156
Performance			
Climate Class	Ambient temperature	10°C~43°C	10°C~43°C
Power	V/Hz	230/50--115/60	230/50--115/60
Energy Consumption	kWh/y	427	400
Freezing Capacity	Kg/24h	5	3.5
Noise Level	dB(A)	43	43
Features			
General Features	Temp. Control	Mechanical	Mechanical
	Defrosting	Automatic	Automatic
	Flush Back Design	No	No
	No. of doors	2	2
	Reversible Door	Yes	Yes
	Adjustable Leg	Yes	Yes
	Door Design	Rounded	Rounded
	Handle	Recessed	Recessed
	Finishing	Painted	Painted
	Lock	Optional	Optional
	Color	White	White
	Refrigerant/Charged Volume	R134a/150	R134a/130
	Foam Blowing Agent	C-pentane	C-pentane
Refrigerator Compartment	Multi-flow	No	No
	Chiller Compartment	No	No
	Shelf (Material/No.)	Wire/2	Wire/2
	Door Basket/Bin	/4	/3
	Interior Lamp	Yes	Yes
	Vegetable Crisper	Yes	Yes
	Vegetable Crisper Cover	Glass	Glass
	Humidity Controller	No	No
	Wine Rack	No	No
	Egg Tray	Optional	Optional
	Can storage Dispenser	Yes	Yes
	2L Bottle Door Bin	Yes	Yes
	Deodorizer	Optional	Optional
Freezer Compartment	Star Rating	four(-18°C)	four(-18°C)
	Ice Maker (Automatic/Twist/Normal)	Normal	Normal
	Shelf (Material/No.)	wire/1	wire/1
	Door Basket/Bin	/1	/1

	Interior Lamp	No	No
Dimensions			
Net	Width/mm	594	594
	Height/mm	1500	1310
	Depth with less door handle/mm	650	638
	Depth with door handle/mm	650	638
	Depth with door open 90 ° less door handle/mm	1200	1200
Packing	Width/mm	640	643
	Height/mm	1550	1367
	Depth/mm	720	693
Weight	Net/Gross/ (Kg)	64 / 72	59 / 66
Loading Capacity	20'/40'/40'HC	/ / 79	/ / 104
Agent			
Safety	CE		
	UL	Yes	Yes
Energy	D.O.E.	Yes	Yes
	Euro EEC		
	HK Energy		



Refrigeration system



1-----defrost timer

2-----thermostat

3-----interior lamp

4-----anti-exploded motor fan

5-----power supply cord with plug

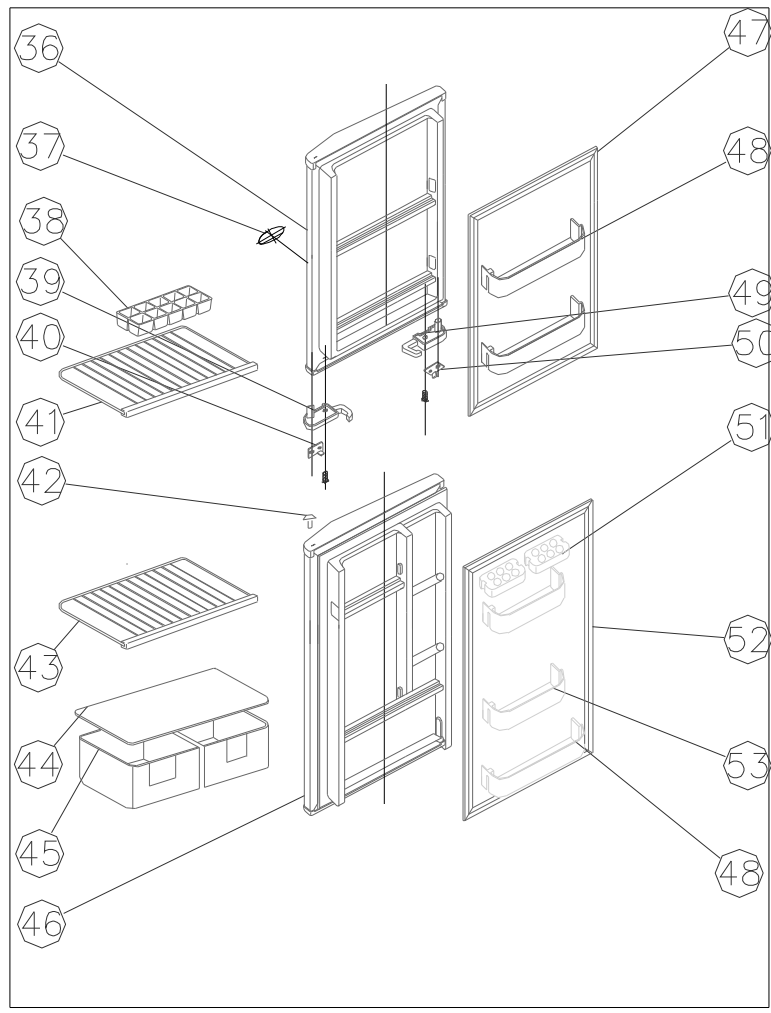
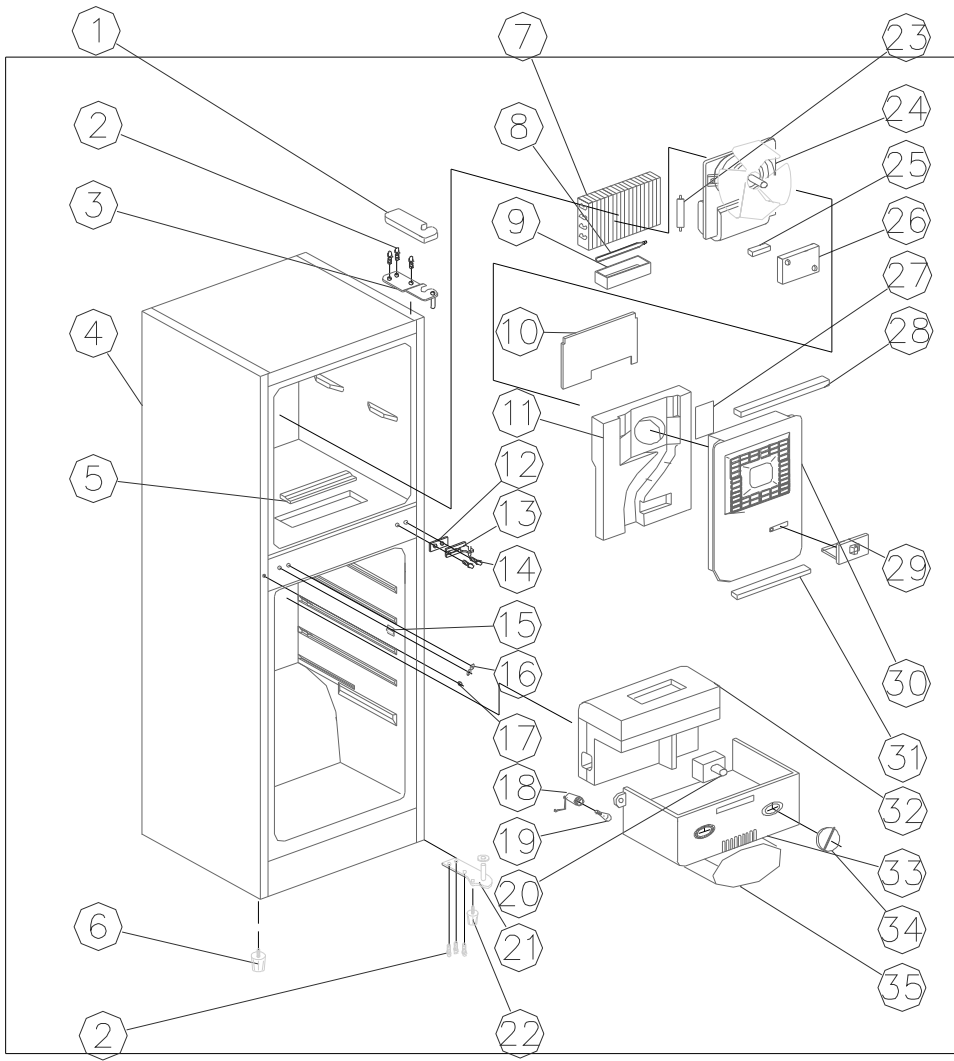
6-----door switch

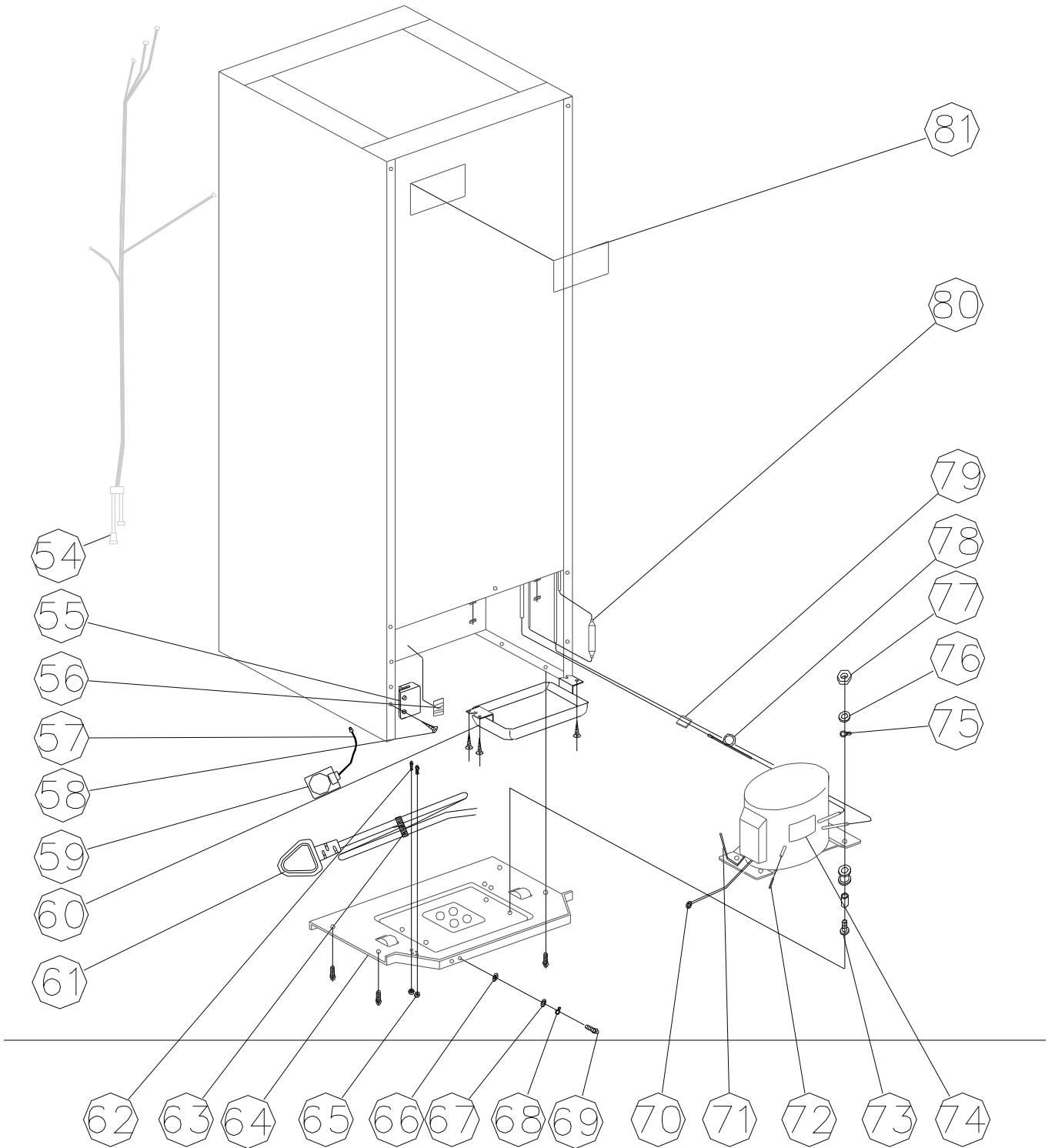
9----- defrost thermostat

10-----compressor assembly

11-----anti-exploded defrost heater

13----- Anti-explosion temperature fuse unit





RF 800 EXPLODED DIAGRAM

RF 800 [BCD-226W/H(E)]

No	Part name	Part No.	PCs	Remarks
1	Upper hinge cover	9210200294	1	BCD280W/H(E).00-03
2	Flange screw M5x20	1701184	6	M5 x20 BDG36-20
3	Upper hinge parts	9120400231	1	BCD280W/H(E).00.01-00
4	Cabinet	9100100312	1	BCD226W/H(E).08-00
5	Air return cover of freezer chamber	9210200302	1	BCD280W/H(E).00-04
6	High front leg	11041	1	TB00.04-00
7	Evaporator	9130100212	1	BCD280W/H(E).02-00
8	Anti-explosion heating tube for defrosting	140499	1	BDG22-44
9	water trough	9110600117	1	BCD280W/H(E).08.03-04
10	Reflecting aluminum foil	9260100157	1	BCD280W/H(E).04-04
11	Wind channel foam of freezer chamber	9101200198	1	BCD280W/H(E).04-02
12	Mid-Hinge bottom plate	1107448	1	BCD168W.00-15
13	Mid-hinge	9120400233	1	BCD280W/H(E).00-07
14	Flange screw M5x30	1701164	2	M5 x30 BDG36-14
15	Lamp switch	1410108	1	60B(BDG16-32)
16	Mid-hinge hole cover	9210200301	5	BCD280W/H(E).00-09
17	Screw cap	17011	1	T00-16
18	Anti-explosion lamp holder assembly	141248	1	BDG17-39
19	Bulb	141239	1	AC115V/60Hz 10W
20	Temperature control	1401131	1	NWPF4K-089-100
21	Lower hinge assembly	9120400234	1	BCD280W/H(E).00.06-00
22	Short front leg	11042	1	TB00.01-00
23	Temperature fuse unit assembly	1411297	1	BDG18-16
24	Fan motor parts	9140200103	1	BCD138W/H(E).00.01-00
25	Defrosting thermostat	1411298	1	BDG11-30
26	Connecting wire box cover	9210200298	1	BCD280W/H(E).00-06
27	Reversible glue	2502139	3	0.02x30

28	Sponge glue stripe D	1603440	1		D BCD168W.04-08
29	Temperature regulating guiding block	9121000111	1	0.5	BCD280W/H(E).04-03
30	Wind patch cover in freezer chamber	9101200197	1	4.0	BCD280W/H(E).04-01
31	Sponge glue stripe B	1603438	1		B BCD168W.04-03
32	Wind channel of refrigerator	9101200199	1	4.0	BCD280W/H(E).07.01-00
33	Control panel in refrigerator chamber	9140800169	1	2.0	BCD280W/H(E).07-01
34	Temperature control knob	914100133	1	0.2	BCD280W/H(E).07-03
35	Lamp cover	9210700172	1	0.5	BCD280W/H(E).07-02
36	Upper door	9100500477	1	15	BCD280W/H(E).03-00
37	Trade mark	9190100247	1	1.5	BCD280W/H(E).00-01
38	Ice tray	210330	1	0.5	T00-01(A)
39	Door stopper	120512	1	0.5	BCD210WA.03-01
40	Keeper	1203140	1	0.2	BCD210WA.03-04
41	Metal shelves parts in freezer chamber (or) Glass shelves parts in freezer chamber	9210500394 2105702	1	1.5 2.0	BCD280W/H(E).00.02-00 BCD280W/H(E6).00.01-00
42	Collapsible	120286	1	0.1	BCD168W/H(E3).06-08
43	Metal shelves parts in refrigerator chamber (or) Glass shelves parts in refrigerator chamber	9210500387 2105704	1	1.5 2.0	BCD280W/H(E).00.03-00 BCD280W/H(E6).00.02-00
44	Vegetable drawer cover parts	9210200296	1	1.5	BCD280W/H(E).00.04-00
45	Vegetable drawer	9210100117	2	3.0	BCD280W/H(E).00-05
46	Lower door	9100500511	1	18.0	BCD226W/H(E).06-00
47	Upper door liner	9160100219	1	2.5	BCD280W/H(E).03.01-00
48	Shelf for upper door	9210500369	3	1.5	BCD280W/H(E).03-06
49	Left door stopper	120515	1	0.5	BCD168W/H(E3).03-06
50	Left keeper	1109263	1	0.3	BCD168W/H(E3).03-05
51	Small eggs tray	21049	2	0.5	BCD193.06-15
52	Lower door liner	9160100227	1	3.0	BCD226W/H(E).06.01-00

53	Shelf for lower door	9210500370	2	1.5	BCD280W/H(E).06-02
54	Interior wire	1501665	1	2.5	BDG38-88
55	Timer setting box	1401117	1	0.5	BCD168W.00.07-01
56	Keeping water cover	21093	1	0.2	BCD210W.00-16
57	Connecting wire	1501306	1	1.0	BDG37-23
58	Screw nail	1701131	2		T00-22
59	Timer for defrosting	1411267	1	4.0	DBZA-807-2
60	Water disposal box	2106105	1	2.5	T00-12(D)
61	Cable with American plug	1501275	1	2.0	TB00.02A-00(E)
62	Screw bolt M6 x 16	170261	4		M6 x16 BDG36-03
63	Plastic auto-lock bandage	9170700082	1		5x100
64	Compressor base	9110800146	1	5.0	BCD280W/H(E).00.05-01
65	Screw nut M6	170355	4		M6 GB6175-86
66	Round-pad 5	170414	3		5 GB93-87
67	Round-pad 5	9170400100	3		5 GB96-85
68	Screw nut M5	17037	3		M5 GB6170-86
69	Screw M5 x 14	170110	3		M5x12 GB818-85
70	Compressor grounding wire	915010025	1	0.5	BDG34-00
71	Compressor connecting wire	915010026	1	0.5	BDG35-00
72	Process tube	1303831	2	0.5	T00-07(A)
73	Screw bolt M6 x 30	17023	4		M6 x30 GB5783-86
74	Compressor		1	60	
75	Round-pad 6	17042	4		6 GB93-87
76	Round-pad 6	17044	4		6 GB96-85
77	Screw nut M6	170355	4		M6 GB6175-86
78	Connecting tube	1303325	1	0.5	T00-21(A)
79	Anti-vibration ring	160457	1	0.3	T00-17(A)
80	Drier filter	13067	1	1.5	BDG27-04
81	Electrical diagram	9190200371	1	0.5	BCD280W/H(E).00-02

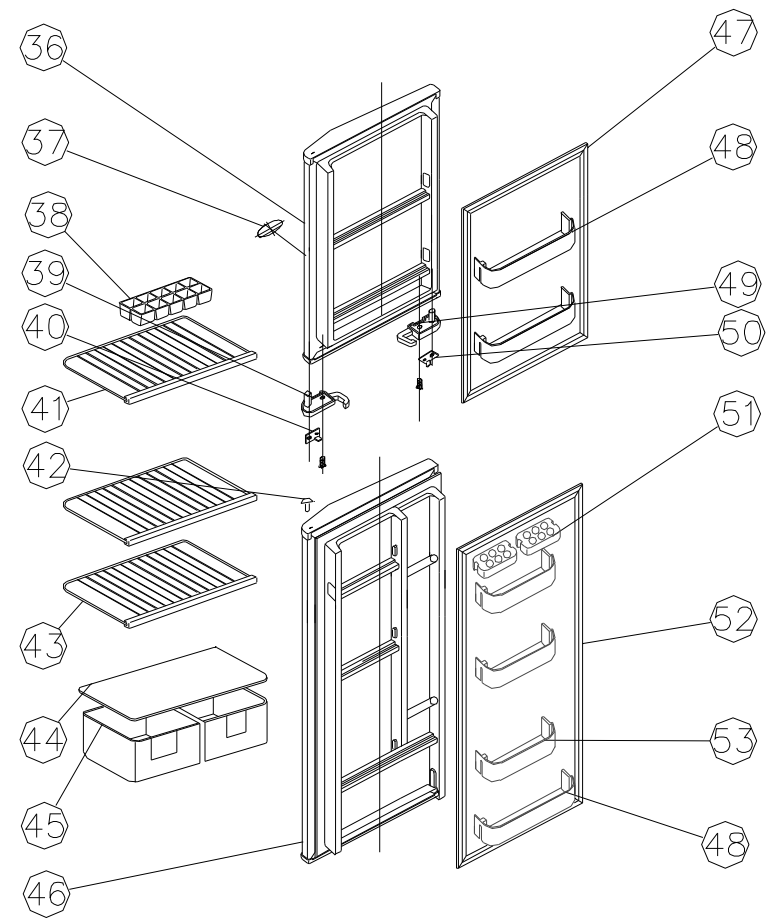
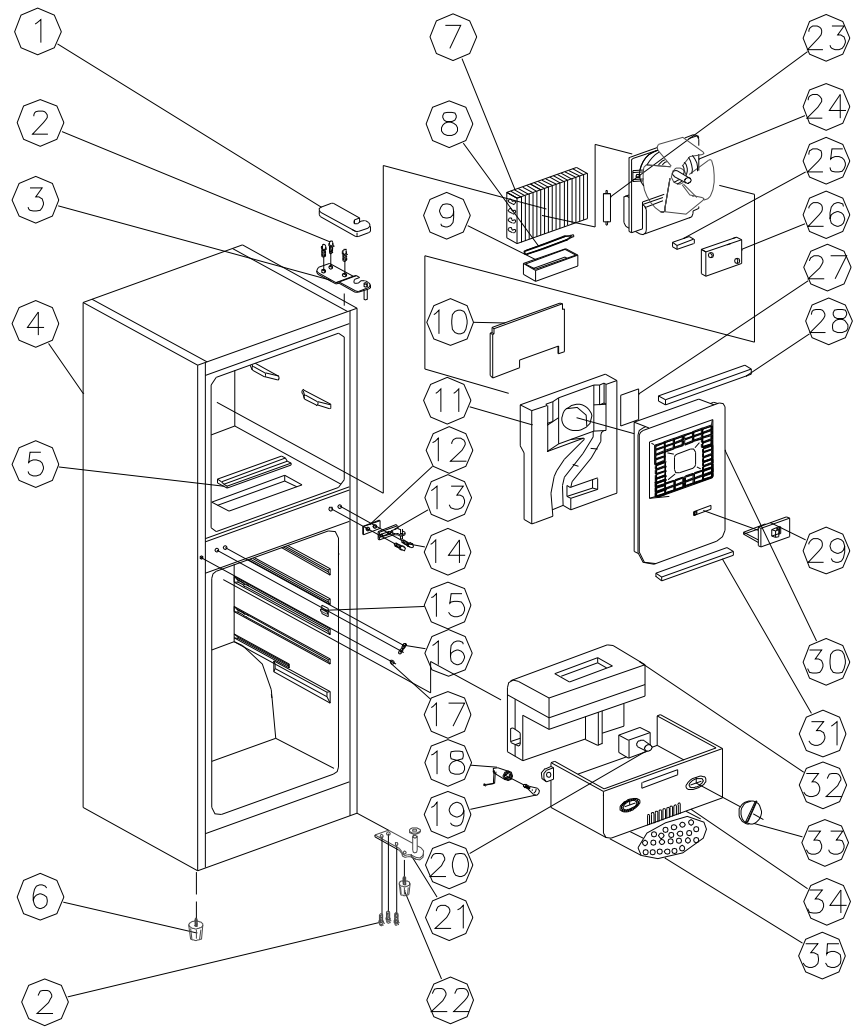
[Back to top](#)

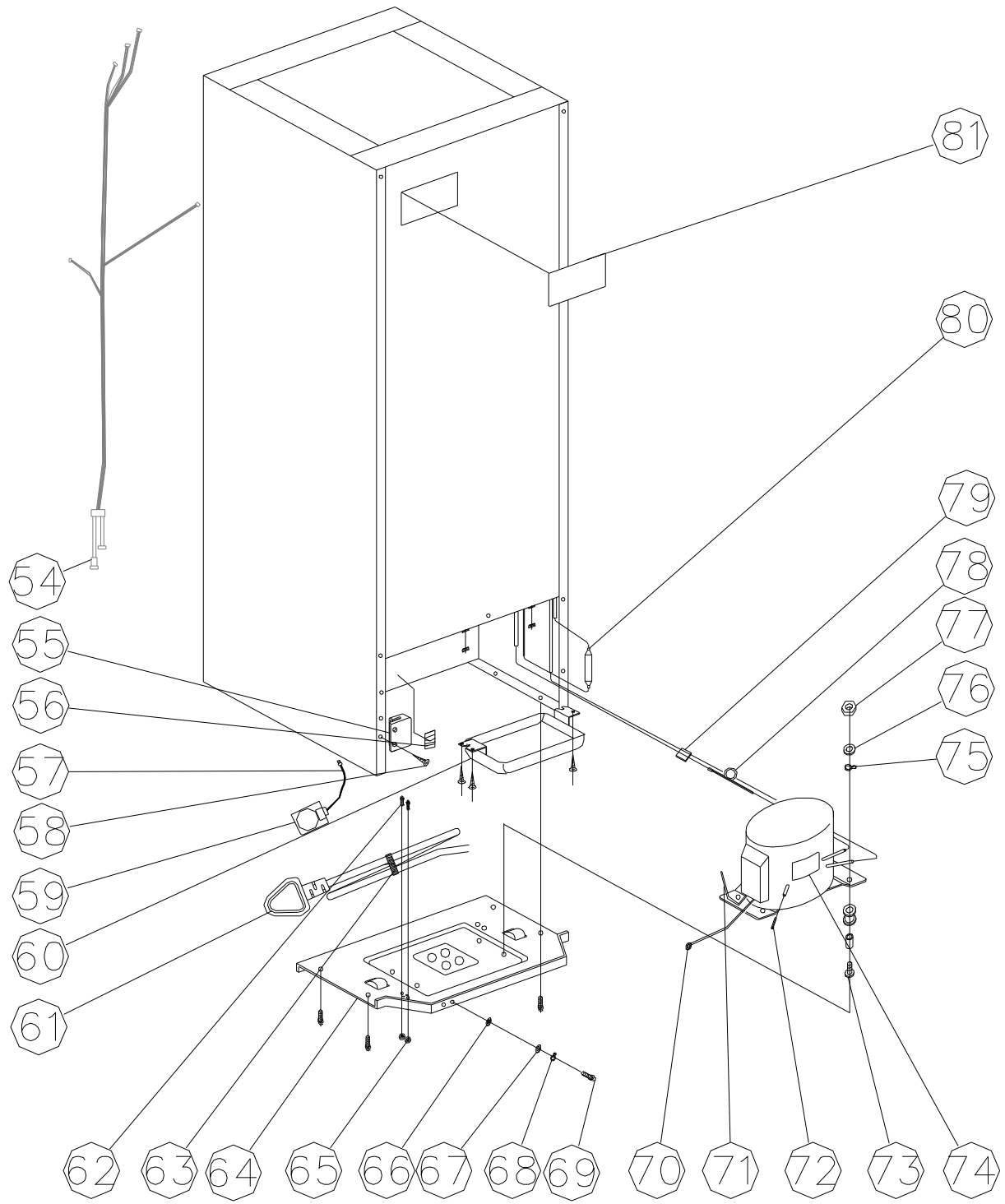
RF 800 SPARE PARTS

No	PART NAME	Part No	PCS	Unit price US dollar	
1	Anti-explosion heating tube for defrosting	140499	1	6.0	BDG22-44
2	Lamp switch	1410108	1	1.0	60B(BDG16-32)
3	Anti-explosion lamp holder assembly	141248	1	1.5	BDG17-39
4	Bulb	141239	1	0.5	AC115V/60Hz 10W
5	Temperature control	1401131	1	4.0	NWPF4K-089-100
6	Temperature fuse unit assembly	1411297	1	2.0	BDG18-16
7	Fan motor parts	9140200103	1	8.0	BCD138W/H(E).00.01-00
8	Defrosting thermostat	1411298	1	2.0	BDG11-30
9	Ice tray	210330	1	0.5	T00-01(A)
10	Upper door liner	9160100219	1	2.5	BCD280W/H(E).03.01-00
11	Lower door liner	9160100227	1	3.0	BCD226W/H(E).06.01-00
12	Timer for defrosting	1411267	1	4.0	DBZA-807-2
13	Drier filter	13067	1	1.5	BDG27-04

[Back to top](#)

BCD-280W/H(E) disassemble diagram





RF 1000 [BCD-280W/H(E)]

No	Part name	Part number	Pieces	Remark
1	Upper hinge cover	9210200294	1	BCD280W/H(E).00-03
2	Flange screw M5x20	1701184	6	M5 x20 BDG36-20
3	Upper hinge parts	9120400231	1	BCD280W/H(E).00.01-00
4	Cabinet	9100100296	1	BCD280W/H(E).08-00
5	Air return cover of freezer chamber	9210200302	1	BCD280W/H(E).00-04
6	High front leg	11041	1	TB00.04-00
7	Evaporator	9130100212	1	BCD280W/H(E).02-00
8	Anti-explosion heating tube for defrosting	140499	1	BDG22-44
9	water trough	9110600117	1	BCD280W/H(E).08.03-04
10	Reflecting aluminum foil	9260100157	1	BCD280W/H(E).04-04
11	Wind channel foam of freezer chamber	9101200198	1	BCD280W/H(E).04-02
12	Mid-Hinge bottom plate	1107448	1	BCD168W.00-15
13	Mid-hinge	9120400233	1	BCD280W/H(E).00-07
14	Flange screw M5x30	1701164	2	M5 x30 BDG36-14
15	Lamp switch	1410108	1	60B(BDG16-32)
16	Mid-hinge hole cover	9210200301	5	BCD280W/H(E).00-09
17	Screw cap	17011	1	T00-16
18	Anti-explosion lamp holder assembly	141248	1	BDG17-39
19	Bulb	141239	1	AC115V/60Hz 10W
20	Temperature control	1401131	1	NWPF4K-089-100
21	Lower hinge assembly	9120400234	1	BCD280W/H(E).00.06-00
22	Short front leg	11042	1	TB00.01-00
23	Temperature fuse unit assembly	1411297	1	BDG18-16

No	Part name	Part number	Pieces	Remark
24	Fan motor parts	9140200103	1	BCD138W/H(E).00.01-00
25	Defrosting thermostat	1411298	1	BDG11-30
26	Connecting wire box cover	9210200298	1	BCD280W/H(E).00-06
27	Reversible glue	2502139	3	0.02x30
28	Sponge glue stripe D	1603440	1	D BCD168W.04-08
29	Temperature regulating guiding block	9121000111	1	BCD280W/H(E).04-03
30	Wind patch cover in freezer chamber	9101200197	1	BCD280W/H(E).04-01
31	Sponge glue stripe B	1603438	1	B BCD168W.04-03
32	Wind channel of refrigerator	9101200199	1	BCD280W/H(E).07.01-00
33	Control panel in refrigerator chamber	9140800169	1	BCD280W/H(E).07-01
34	Temperature control knob	914100133	1	BCD280W/H(E).07-03
35	Lamp cover	9210700172	1	BCD280W/H(E).07-02
36	Upper door	9100500477	1	BCD280W/H(E).03-00
37	Trade mark	9190100247	1	BCD280W/H(E).00-01
38	Ice tray	210330	1	T00-01(A)
39	Door stopper	120512	1	BCD210WA.03-01
40	Keeper	1203140	1	BCD210WA.03-04
41	Metal shelves parts in freezer chamber (or) Glass shelves parts in freezer chamber	9210500394 2105702	1	BCD280W/H(E).00.02-00 BCD280W/H(E6).00.01-00
42	Collapsible	120286	1	BCD168W/H(E3).06-08
43	Metal shelves parts in refrigerator chamber (or) Glass shelves parts in refrigerator chamber	9210500387 2105704	2	BCD280W/H(E).00.03-00 BCD280W/H(E6).00.02-00
44	Vegetable drawer cover parts	9210200296	1	BCD280W/H(E).00.04-00
45	Vegetable drawer	9210100117	2	BCD280W/H(E).00-05
46	Lower door	9100500476	1	BCD280W/H(E).06-00
47	Upper door liner	9160100219	1	BCD280W/H(E).03.01-00
48	Shelf for upper door	9210500369	3	BCD280W/H(E).03-06

No	Part name	Part number	Pieces	Remark
49	Left door stopper	120515	1	BCD168W/H(E3).03-06
50	Left keeper	1109263	1	BCD168W/H(E3).03-05
51	Small eggs tray	21049	2	BCD193.06-15
52	Lower door liner	9160100227	1	BCD226W/H(E).06.01-00
53	Shelf for lower door	9210500370	3	BCD280W/H(E).06-02
54		1501665	1	BDG38-88
55	Timer setting box	1401117	1	BCD168W.00.07-01
56	Keeping water cover	21093	1	BCD210W.00-16
57	Connecting wire	1501306	1	BDG37-23
58	Screw nail	1701131	2	T00-22
59	Timer for defrosting	1411267	1	DBZA-807-2
60	Water disposal box	2106105	1	T00-12(D)
61	Cable with American plug	1501275	1	TB00.02A-00(E)
62	Screw bolt M6 x 16	170261	4	M6 x16 BDG36-03
63	Plastic auto-lock bandage	9170700082	1	5x100
64	Compressor base	9110800146	1	BCD280W/H(E).00.05-01
65	Screw nut M6	170355	4	M6 GB6175-86
66	Round-pad 5	170414	3	5 GB93-87
67	Round-pad 5	9170400100	3	5 GB96-85
68	Screw nut M5	17037	3	M5 GB6170-86
69	Screw M5 x 14	170110	3	M5x12 GB818-85
70	Compressor grounding wire	915010025	1	BDG34-00
71	Compressor connecting wire	915010026	1	BDG35-00
72	Process tube	1303831	2	T00-07(A)
73	Screw bolt M6 x 30	17023	4	M6 x30 GB5783-86
74	Compressor		1	
75	Round-pad 6	17042	4	6 GB93-87
76	Round-pad 6	17044	4	6 GB96-85
77	Screw nut M6	170355	4	M6 GB6175-86

No	Part name	Part number	Pieces	Remark
78	Connecting tube	1303325	1	T00-21(A)
79	Anti-vibration ring	160457	1	T00-17(A)
80	Drier filter	13067	1	BDG27-04
81	Electrical diagram	9190200371	1	BCD280W/H(E).00-02

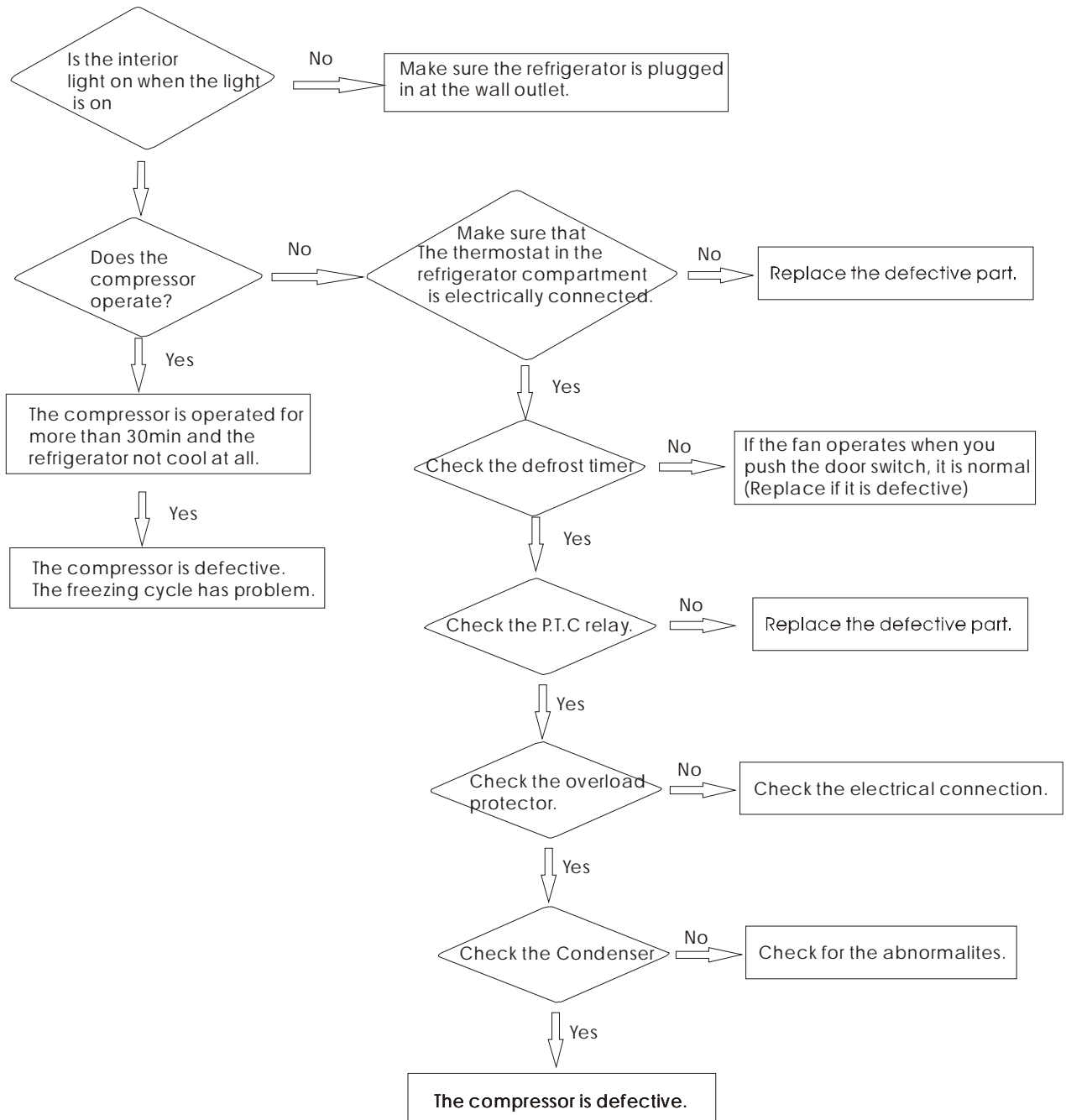
[Back to top](#)

RF 1000 SPARE PARTS

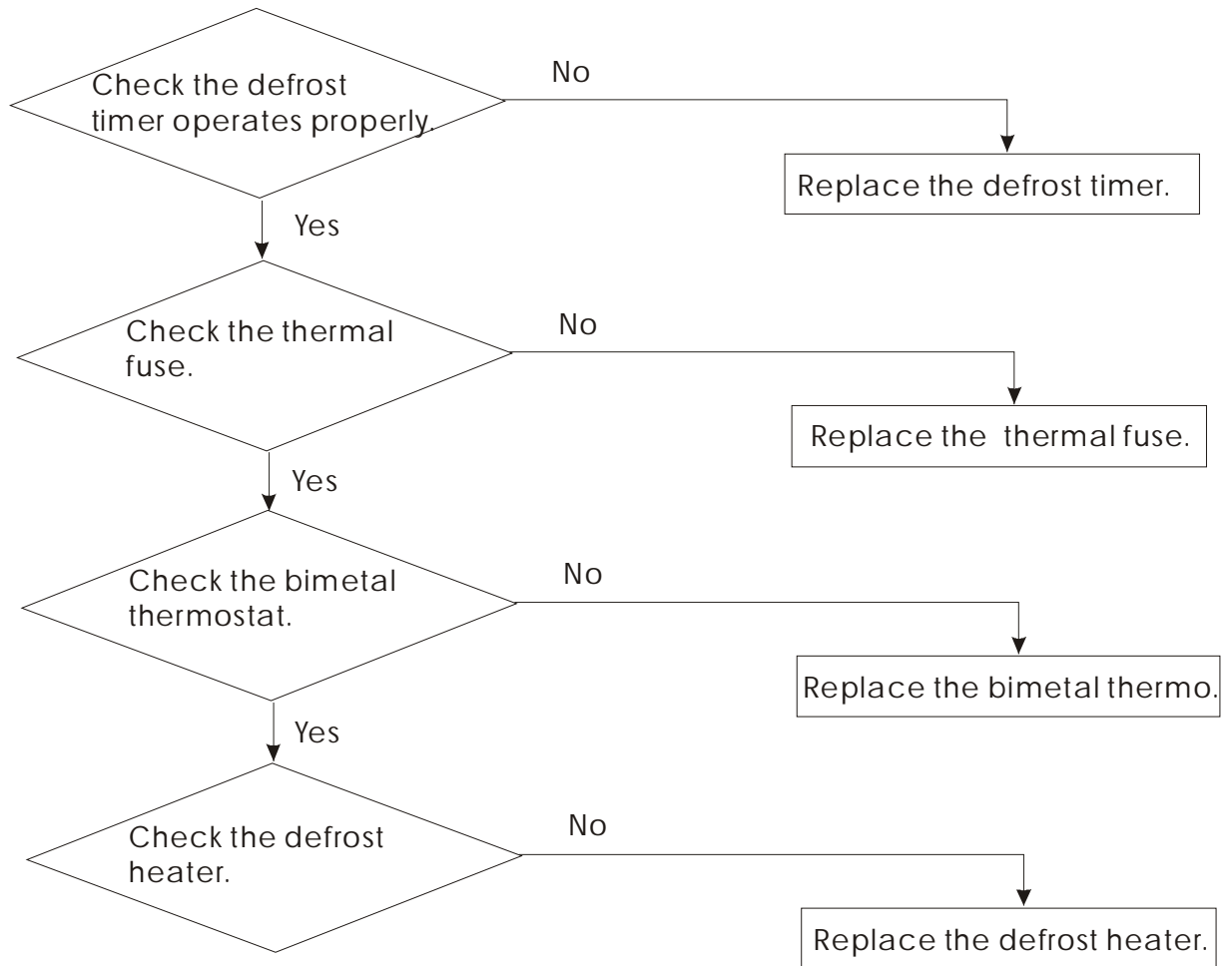
No	PART NAME	Part No	PCS	
1	Anti-explosion heating tube for defrosting	140499	1	BDG22-44
2	Lamp switch	1410108	1	60B(BDG16-32)
3	Anti-explosion lamp holder assembly	141248	1	BDG17-39
4	Bulb	141239	1	AC115V/60Hz 10W
5	Temperature control	1401131	1	NWPF4K-089-100
6	Temperature fuse unit assembly	1411297	1	BDG18-16
7	Fan motor parts	9140200103	1	BCD138W/H(E).00.01-00
8	Defrosting thermostat	1411298	1	BDG11-30
9	Ice tray	210330	1	T00-01(A)
10	Upper door liner	9160100219	1	BCD280W/H(E).03.01-00
11	Lower door liner	9160100227	1	BCD226W/H(E).06.01-00
12	Timer for defrosting	1411267	1	DBZA-807-2
13	Drier filter	13067	1	BDG27-04

Trouble shooting guide

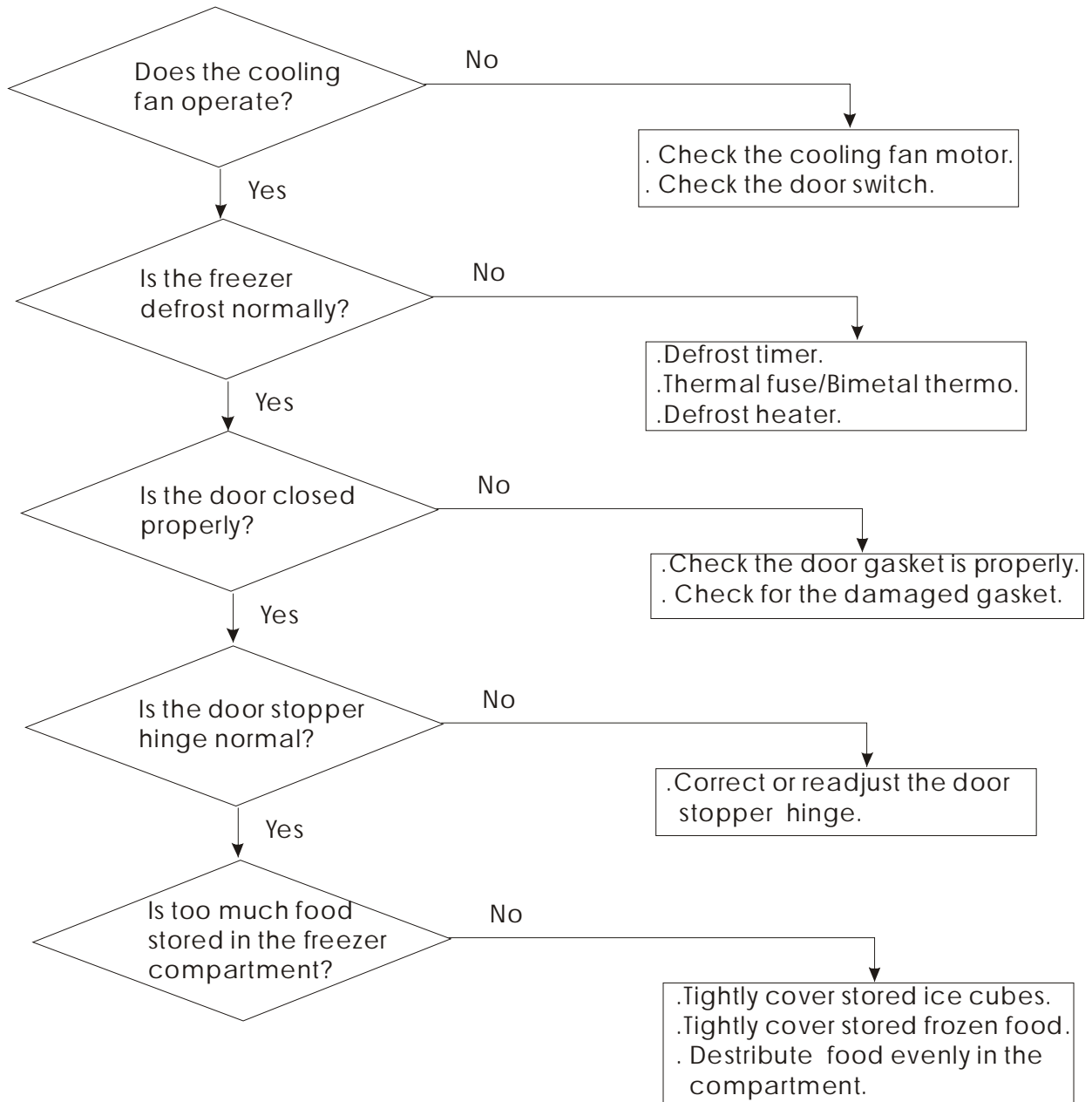
1. The refrigerator does not operate



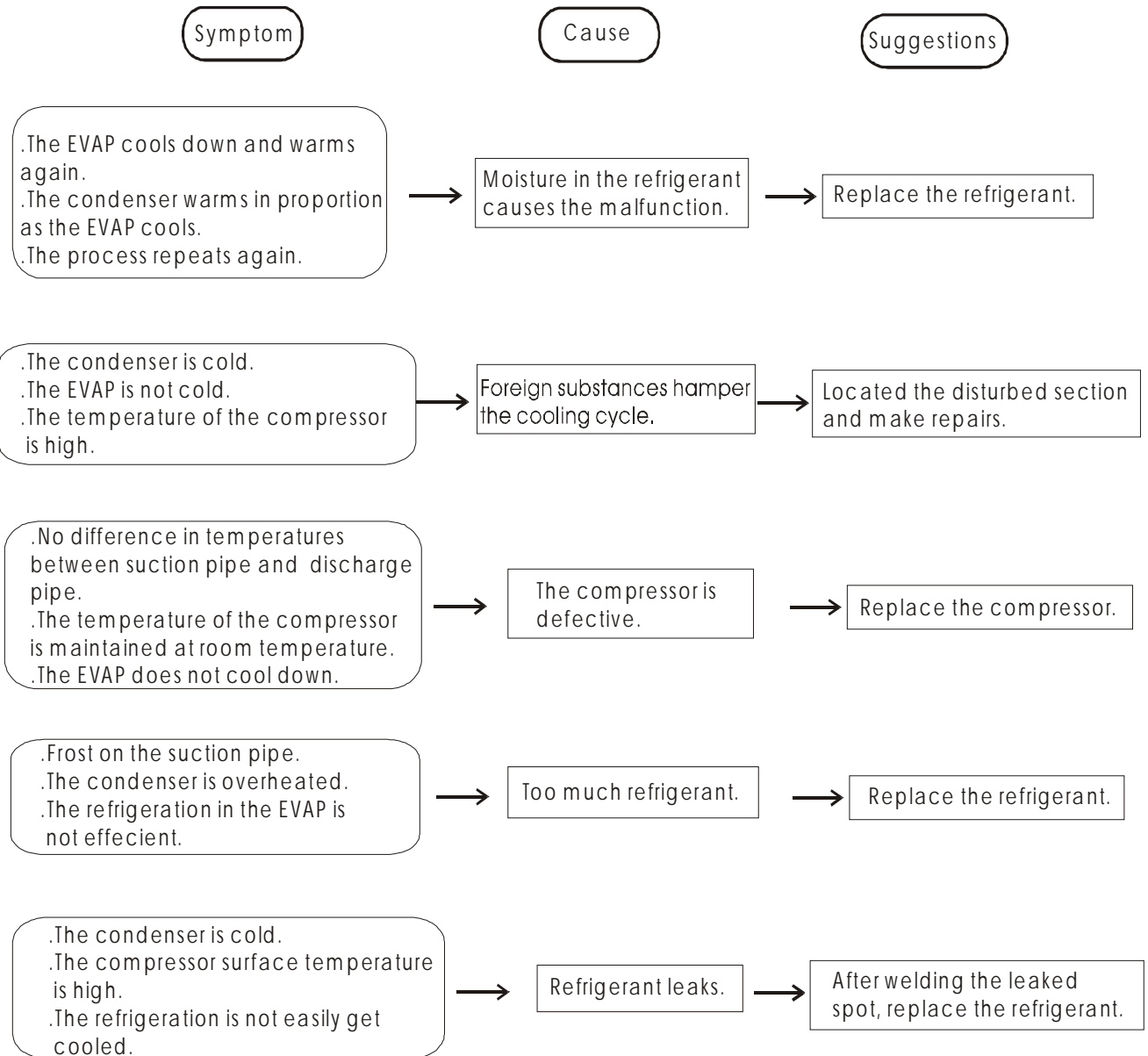
2. Defrosting mechanism does not work



3. Defrosting mechanism does not work



4. Trouble check for the cooling cycle



[Back to top](#)