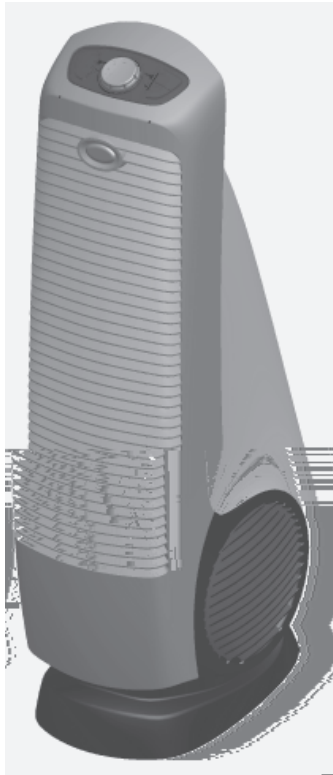




HEPAtech[®] Plus

Air Purifier








Models 30775, 30776, & 30777

Replacement Filter Information

Model	Carbon Odor Filter	HEPAtech [®] Filter
30775	30901	30944
30776	30901	30944
30777	30901	30944

www.hunterfan.com

Table of Contents

Safety Instructions	3
Introduction	3
 Description of Air Filtration System	
How the Air Purifier Works.....	4
Air Purifier Components.....	4
Display and Control Keys	5
 Operation	
Initial Operation	6
Filter Life Counters.....	8
Resetting the Air Purifier	8
Using the Ionizer	9
 Air Purifier Maintenance	
Cleaning Your Air Purifier	10
Cleaning the Pre-Filters & Changing the Carbon Odor Filter.....	10
Changing the HEPAtech® Main Filter	11
Obtaining Replacement Filters	13
 Troubleshooting	
Problem and Solutions	14
Technical Support.....	14
 Warranty Information	15

SAFETY INSTRUCTIONS

IMPORTANT!

READ ALL INSTRUCTIONS BEFORE USING THIS Air Purifier.

1. This Air Purifier is designed for use on a flat level floor and may not work properly on an uneven floor. ALWAYS place the Air Purifier on a firm level floor. ALWAYS place the Air Purifier at least six (6) inches away from walls and heat sources such as stoves, radiators, or heaters.
2. Place the Air Purifier in an area that is out of the reach of children.
3. Before using the Air Purifier, extend the cord and inspect for any signs of damage. DO NOT use the product if the cord has been damaged.
4. This product has a polarized plug (one blade is wider than the other) as a safety feature. This plug will fit into a polarized outlet only one way. If the plug does not fit fully into the outlet, reverse the plug. If the plug still does not fit, contact a qualified electrician. DO NOT attempt to defeat or override this safety feature.
5. ALWAYS UNPLUG the Air Purifier while it is being cleaned.
6. DO NOT move or tilt the Air Purifier while it is in operation. Turn off and unplug before moving.
7. DO NOT immerse the Air Purifier in water at any time because permanent damage will occur. To properly clean your Air Purifier, follow the instructions in the Maintenance section of this manual (pg. 10).

READ AND SAVE THESE INSTRUCTIONS

Introduction

Thank you for purchasing the HEPAtech® Plus Air Purifier from Hunter Fan Company. You have purchased our latest development in portable air purification which has been designed to improve the quality of the air that you breathe. The following innovative features are included in your Hunter Air Purifier.

- High Particulate Efficiency: The HEPAtech® filter will remove 99.97% of 0.1 micron particles from the air that passes through the filter.
- Odor Removal: The activated carbon filter helps remove odors such as cooking, smoke, and pet smells from the air.
- Ionizer: The ionizer improves the quality of air in the room by releasing negative ions into the air that attract positively charged dust, smoke, and pollen particles.
- Quiet: The Air Purifier has been designed to operate quietly and efficiently. You can choose among three speeds to best meet your needs at different times.
- Filter Counters: Filter maintenance is critical to the performance of the Air Purifier. To help you determine when to change the carbon filter, the pre-filters and HEPAtech® filter, the unit has built in life counters that keep track of the life remaining of each filter.



Description of Air Filtration System

How the HEPAtch® Plus Air Purifier System Works

As the air is pulled into the Air Purifier, the Pre-Filters capture large particles. Then, the air travels through the HEPAtch® Main Filter where the smaller particles are collected. Odors are removed as the air passes through the Carbon Odor Filter. Then the Ionizer releases negative ions into the air that attract positively charged dust, smoke, and pollen particles. Finally, the clean, purified air is released back into the room.



Fig. 1 - Illustration of the Air Filtration System

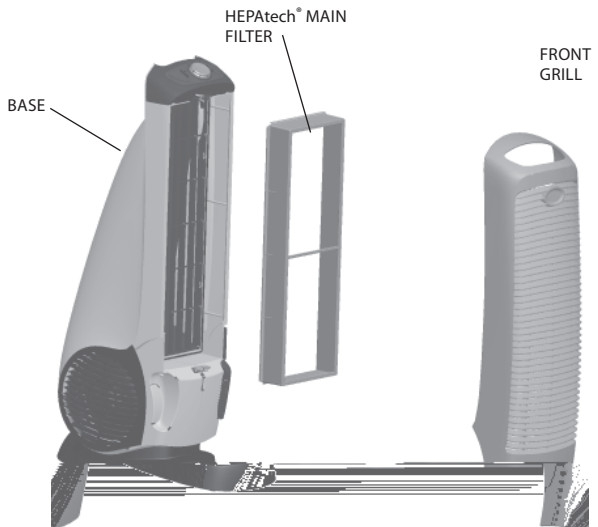


Fig. 2 - Air Purifier Components

Description of Air Filtration System



Display and Control Keys

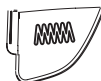
The display and control keys allow for easy operation of the Air Purifier.



SPEED KNOB: Adjusts the blower speed and turns the unit on and off.



PRE-FILTER & CARBON FILTER RESET: Resets the Pre-Filter and Carbon Filter Life Counter.



HEPAtech[®] MAIN FILTER RESET: Resets the HEPAtech[®] Main Filter Life Counter.



IONIZER KEY: Turns the ionizer on and off.

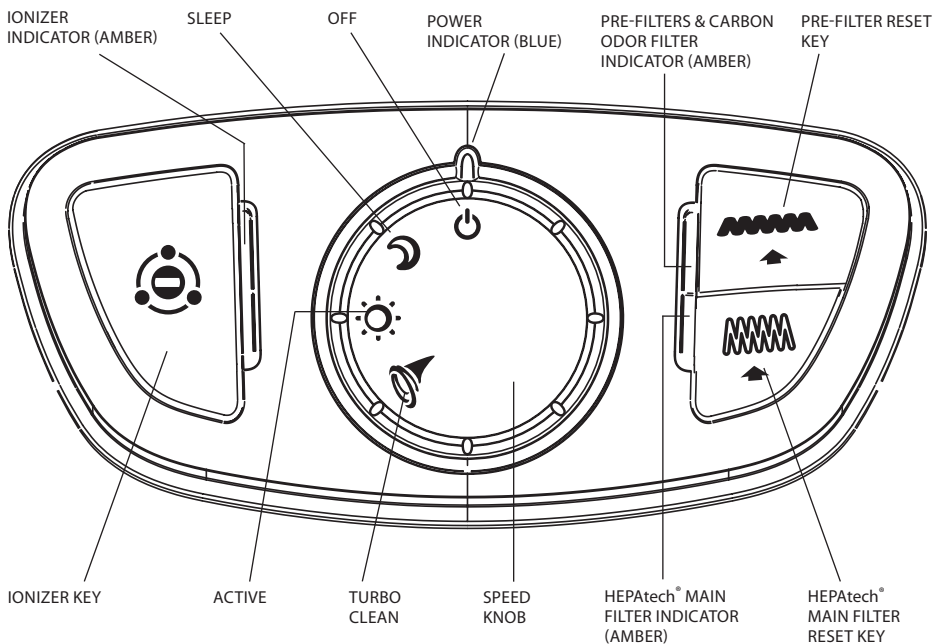


Fig. 3 - Air Purifier Control Panel



Initial Operation

This section provides basic instructions on the use of your Air Purifier. After following these initial directions, please continue reading this booklet to learn how to operate the more advanced features of your Air Purifier.

Basic Operation of the Air Purifier:

1. Take the Air Purifier out of the box and remove the clear plastic protective bag. Place the unit on a firm level floor.
2. Before turning on the Air Purifier, you need to confirm that the HEPAtch[®] Main Filter is firmly in place and has not become loose during shipping. To check the filter, remove the front grill by placing your fingers under the grill release handle and pulling the handle up. Refer to Figs. 4 and 5.



Fig. 4

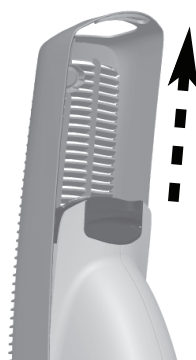


Fig. 5

3. Inspect the filter to ensure the bottom of the filter is secure and the top of the filter is behind the filter tab. Refer to Fig. 6.

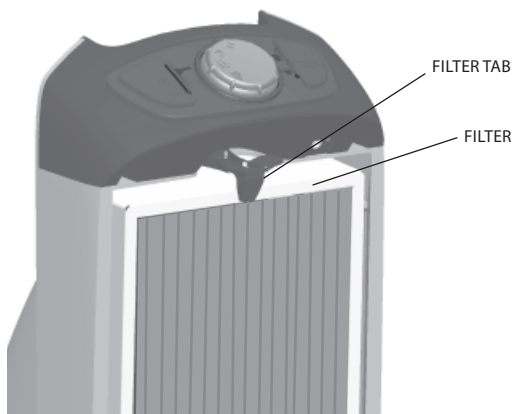


Fig. 6



4. If the filter is secure, place the front grill back onto the unit. Place the grill over the front of the Air Purifier and lower it into position. Refer to Fig. 6. NOTE: This unit will not operate unless the grill is in the correct position. If the filter is not secure, refer to the section Changing the HEPAtech® Main Filter (pg. 14).

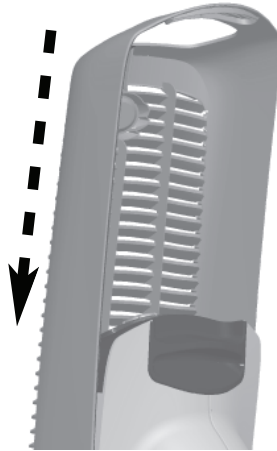


Fig. 7

5. Plug the unit into a 120V electrical outlet and turn the Speed Knob. The Air Purifier will start with a low blower speed and the blue LED will come on. Use the Speed Knob to adjust the blower speed to the desired level (Off, Sleep, Active, Turbo Clean). Refer to Fig. 8.

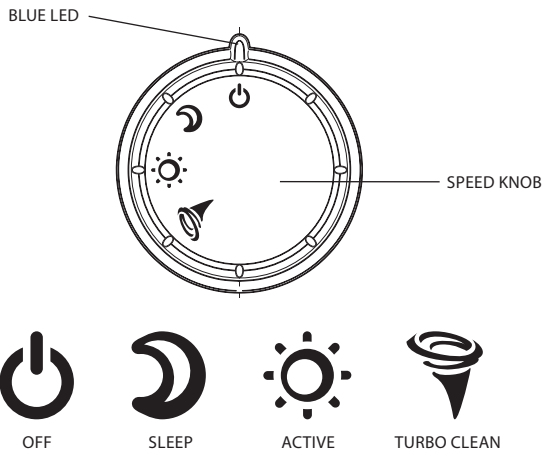


Fig. 8



Filter Life Counters

The Pre-Filters, Carbon Odor Filter, and HEPAtch[®] Main Filter are critical to the proper operation of the Air Purifier. To help you know when to clean and change the filters, your Hunter Air Purifier has Filter Life Counters that will monitor the life of your filter. Although the exact life of the filters depends on the environment, the table below gives typical usage times of the filters.

Table 2: Typical Usage Times of the Filters

Filter Type	Typical Usage
HEPAtch [®] Main Filter	2800 hours
Pre-Filter / Carbon Odor Filter	1400 Hours

When the Pre-Filters & Carbon Odor Filter Indicator comes on, clean the Pre-Filters and change the Carbon Odor Filter. Replace the HEPAtch[®] Main Filter when the HEPAtch[®] Main Filter Indicator comes on.

The values of the Filter Life Counters are stored in the Air Purifier's memory. The unit may be unplugged and moved or stored without losing the Pre-Filter and Filter Counter values.

To properly track filter life, reset the Filter Life Counters each time the filters are changed or cleaned. Refer to Pre-Filters & Carbon Odor Filter (pg. 10) or Changing the Filter (pg. 11) sections for instructions on how to reset the counters.

Resetting the Air Purifier

In the unusual situation that the unit or the display is exhibiting erratic behavior, you may want to reset the Air Purifier. If you still have problems after resetting the Air Purifier, please contact Hunter for additional assistance (refer to Technical Support, pg. 14).

To Reset the Air Purifier:

1. Unplug the unit for at least 30 seconds.
2. Plug the unit back in.



Using the Ionizer

Using the Ionizer improves the quality of air in the room. Negative ions are released into the air to attract positively charged dust, smoke, and pollen particles. These particles settle out of the air and can be vacuumed up during normal room cleaning. These particles are also more easily captured by the HEPAt[®] Main Filter as they pass through the HEPAt[®] Plus Air Purification System. To ensure the best air circulation in the room, Hunter recommends that you place your Air Purifier six (6) inches away from any walls.

To turn the ionizer on or off:

1. To turn the Ionizer on, press the Ionizer Key. The amber Ionizer Indicator will turn on. Refer to Fig. 9.

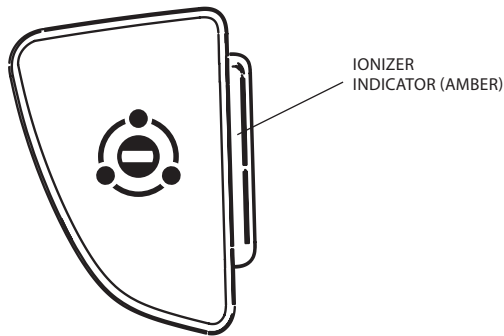


Fig. 9

2. To turn the Ionizer off, press the Ionizer Key. The amber Ionizer Indicator will turn off.

When the ionizer is on, the amber Ionizer Indicator will remain illuminated.

NOTE: If the Air Purifier is used in a room where smoke is present - cigarette, cigar, pipe, candles, fireplace, etc. - then **TURN THE IONIZER OFF**. Running the Ionizer in the presence of smoke may, under certain conditions, cause smoke particles to adhere to floors, furniture, and walls near the Air Purifier. These particles are known as "gray dust" and are unsightly and difficult to remove. Gray dust particles **ARE NOT** produced by your Hunter Air Purifier, but are already present in the air as smoke by-products. With the Ionizer turned off, these particles will be captured in the Air Purifier's filters as the unit circulates and cleans the air in the room.



Air Purifier Maintenance

Cleaning Your Air Purifier

Proper maintenance of your Hunter Air Purifier will help ensure years of trouble free service.

Follow these steps to properly maintain your Air Purifier:

1. Approximately every 90 days, the outside of the unit should be cleaned with a soft, damp cloth.
2. If needed, the Front Grill can be removed from the unit and cleaned with soapy water. NOTE: Remove the Carbon Odor Filter before exposing the Front Grill to water.
3. Follow the instructions in Cleaning the Pre-Filters and Changing the Carbon Odor Filter (pg. 10) and Changing the HEPAtech® Main Filter (pg. 11) to determine when and how to replace the filters.

NOTES:

- The Air Purifier must be unplugged during the cleaning process.
- Be sure the unit is completely dry before plugging in and using.
- Never immerse unit in water.

Cleaning the Pre-Filters and Changing the Carbon Odor Filter

When the Pre-Filter exceeds 1400 hours (refer to Filter Life Counters for additional information, pg. 8), the Pre-Filter indicator will turn on as a reminder that you should clean the Pre-Filter and change the Carbon Odor Filter. To maintain proper odor-removing capability and overall filtration performance, the pre-filter should be cleaned and the carbon odor filter replaced every 1400 hours (approximately 3 months of use). If necessary, clean the pre-filter and change the odor filter more often. Proper maintenance of the pre-filter will help extend the life of the HEPAtech® filter. Refer to Obtaining Replacement Filters (pg. 13) if you need help finding replacement filters.

To clean the Pre-Filters, Change the Carbon Odor Filter, and reset the Pre-Filters & Carbon Odor Filter Life Counter:

1. First, turn off and unplug the Air Purifier.
2. Next, remove the front grill. Refer to Figs. 4 and 5 (pg. 6).
3. Remove the Pre-Filters (ref. Fig.2, pg. 4) and use a vacuum cleaner to remove dust from them. Then, reinsert the Pre-Filters into the Air Purifier.
5. The Carbon Odor Filter is held to the back of the Front Grill with four hook-and-pile fasteners. Peel off the old Carbon Odor Filter and gently press a new filter into place .
6. If needed, use a soft damp cloth to wipe off the Front Grill.



7. Place the Front Grill back onto the unit.
8. Plug in the Air Purifier.
9. To reset the counter to zero hours and turn off the indicator, press and hold the Pre-Filter & Carbon Odor Filter Reset Key for three seconds, then release it.
10. To reset the Filter Life Counter to zero before it expires, press and hold the Pre-Filter Reset Key for three seconds. When the Indicator begins flashing, release the Key. Then, once again, press and hold the Pre-Filter Reset Key for three seconds. The Indicator will turn off. The Counter is now reset to zero.

Changing the HEPAtech® Main Filter

When the HEPAtech® Main Filter exceeds 2800 hours (approximately 4 to 6 months of use), the HEPAtech® Main Filter Indicator will turn on as a reminder that you should replace the filter. Refer to Filter Life Counters for additional information, pg. 8. This is a reminder that you should check the filter and replace it if necessary. The proper time to change the filter depends on usage and the environment. Generally, if you notice a decrease in air output or an increase in noise at any time during normal operation, the filter may be clogged. Replace the filter to return to normal operation.

To change the filter and reset the Filter Life Counter:

1. First, turn off and unplug the Air Purifier.
2. Next, remove the Front Grill. Place your fingers under the Grill Release Handle and pull up. Refer to Figs. 4 and 5 (pg. 6).
3. Lift the Filter Tab and gently pull the filter out of the unit. Refer to Fig. 6. While removing the filter, note the filter's orientation - the new filter will be installed with the same orientation. Refer to Fig. 10. Once removed, the used filter can be discarded.
4. To install a new filter, position the filter with its rim facing the unit. Refer to Fig. 10.

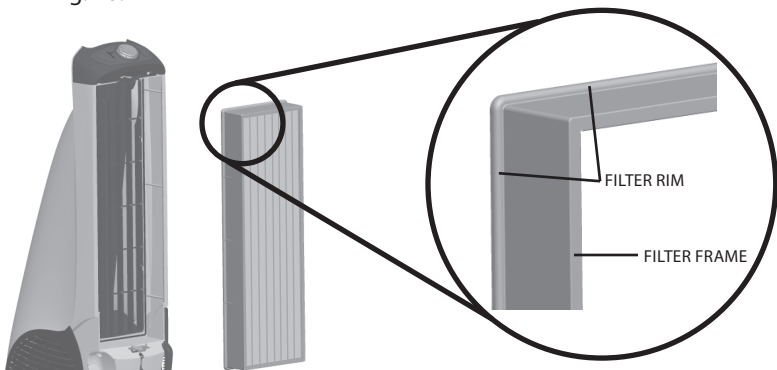


Fig. 10



Air Purifier Maintenance

5. Place the bottom of the filter rim behind the ridges on each side of the bottom of the unit. Refer to Fig. 11.

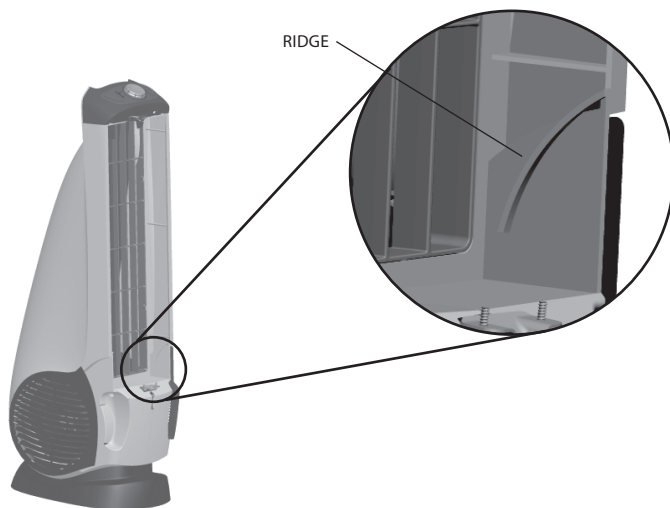


Fig. 11

6. Lift the Filter Tab and press the top of the filter into the Air Purifier. To avoid damaging the filter, you should press only on the filter's frame. When the new filter is in place, release the Filter Tab.
7. Place the front grill back onto the unit. Refer to Figs. 7, pg. 7. NOTE: This unit will not operate unless the grill is in the correct position.
8. Plug in the unit.
9. To reset the Filter Life Counter to zero hours and turn off the indicator, press and hold the HEPAtch[®] Filter Reset Key for three seconds, then release it.
10. To rest the counter to zero before it expires, press and hold the HEPAtch[®] Filter Reset Key for three seconds. When the Indicator begins flashing, release the Key. Then, once again, press and hold the HEPAtch[®] Filter Reset Key for three seconds. The Indicator will turn off. The Counter is now reset to zero.



Obtaining Replacement Filters

To obtain replacement filters for your Air Purifier, first determine your model number by looking at the information label on the back of the Air Purifier. The model number will be listed on the label. Then, call 1-800-4HUNTER for your nearest retailer or Hunter Customer Service at 1-800-313-3326 (CAN 1-888-855-8300) to order directly. To order online, visit our Website at www.hunterfan.com. To ensure that you obtain the correct filters, please find your model number below that specifies the correct replacement filters.

Hunter Air Purifier Model No.: 30775, 30776, 30777

Carbon Odor Filter Replacement Model No.: 30901

HEPAtech[®] Filter Replacement Model No.: 30944



Troubleshooting

Problem	Solutions
1. No display or operation.	<ul style="list-style-type: none">• Confirm that the unit is plugged in.• Check the installation of the front grill.• Reset the Air Purifier. (See Resetting the Air Purifier on pg. 8.)
2. Erratic Operation.	<ul style="list-style-type: none">• Reset the Air Purifier. (See Resetting the Air Purifier on pg. 8.)
3. Filter and/or Pre-filter Indicator is Flashing.	<ul style="list-style-type: none">• The Filter and/or Pre-Filter Life Counters have reached the estimated usage times. Check and replace filters if needed. (Refer to Filter and Pre-Filter Counters on pgs. 10 and 11.)
4. Unit has reduced air flow or increased noise.	<ul style="list-style-type: none">• The filter is clogged and should be changed. (Refer to Changing the Filter on pg. 11.)

Technical Support

If you have any additional questions or problems with your Hunter Air Purifier, please call 1-888-830-1326 from 8:00 am to 5:00 pm Central Time or contact us over the Internet at www.hunterfan.com.



Hunter Fan Company
HEPAtech® Plus Air Purifier
5 YEAR LIMITED WARRANTY

The Hunter Fan Company makes the following limited warranty to the original residential user or consumer purchaser of the HEPAtech® Plus Air Purifier:

If any part of your HEPAtech® Plus Air Purifier motor or control panel fails during the first five (5) years from the date of installation due to a defect in material or workmanship, we will provide a replacement Air Purifier free of charge. Installation is deemed to occur at the date of purchase.

If the Air Purifier cord or front grill fails any time within one (1) year after installation due to a defect in material or workmanship, we will replace or, at our option, repair the unit free of charge at our nearest service center or at our Service Department in Memphis, Tennessee. You will be responsible for all parts and labor costs after this one-year period.

USE OF A NON-HUNTER FILTER WILL INVALIDATE THIS WARRANTY. IF THE ORIGINAL RESIDENTIAL USER OR CONSUMER PURCHASER CEASES TO OWN THE Air Purifier, THIS WARRANTY AND ANY IMPLIED WARRANTY WHICH THEN REMAINS IN EFFECT, INCLUDING BUT NOT LIMITED TO ANY IMPLIED WARRANTY OF MERCHANTABILITY OR FITNESS FOR A PARTICULAR PURPOSE, ARE VOIDED.

NO WARRANTY, EXPRESSED OR IMPLIED, INCLUDING ANY WARRANTY OF MERCHANTABILITY OR FITNESS FOR A PARTICULAR PURPOSE, IS MADE IN RESPECT TO THE FILTER MATERIAL OR CARBON FILTER.

THIS WARRANTY IS IN LIEU OF ALL OTHER EXPRESS WARRANTIES. THE DURATION OF ANY IMPLIED WARRANTY INCLUDING BUT NOT LIMITED TO ANY IMPLIED WARRANTY OF MERCHANTABILITY OR FITNESS FOR A PARTICULAR PURPOSE, IN RESPECT TO THE MOTOR IS EXPRESSLY LIMITED TO THE PERIOD OF THE EXPRESS WARRANTY SET FORTH ABOVE.

This warranty is voided if the Air Purifier is not purchased and used in the USA or Canada.

This warranty excludes and does not cover defects, malfunctions or failures of the Air Purifier which were caused by repairs by persons not authorized by us, use of parts or accessories not authorized by us, mishandling, modifications, or damage to the Air Purifier while in your possession, or unreasonable use, including failure to provide reasonable and necessary maintenance. This warranty does not cover Air Purifiers used in commercial applications. There are no express or implied warranties as to commercial purchasers or users.

To obtain service, contact the nearest Hunter authorized service center or the Hunter Fan Company Service Department, 2500 Frisco Avenue, Memphis, Tennessee 38114, 1-888-830-1326. For the name of our nearest authorized Hunter Fan Company Service Center, write to the Hunter Fan Company at the preceding address. You will be responsible for insurance and freight or other transportation to our factory service center. We will return



Warranty

the Air Purifier freight prepaid. The Air Purifier should be properly packaged to avoid damage in transit since we will not be responsible for any such damage. Proof of purchase is required when requesting warranty service. The purchaser must present sales receipt or other document that establishes proof of purchase.

IN NO EVENT SHALL HUNTER FAN COMPANY BE LIABLE FOR DIRECT, INDIRECT, SPECIAL CONSEQUENTIAL OR INCIDENTAL DAMAGES IN EXCESS OF THE PURCHASE PRICE OF THE Air Purifier. YOUR SOLE REMEDY WILL BE REPAIR OR REPLACEMENT AS PROVIDED ABOVE.

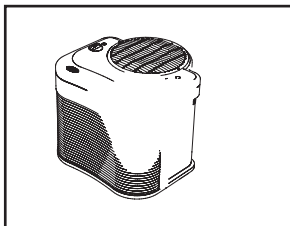
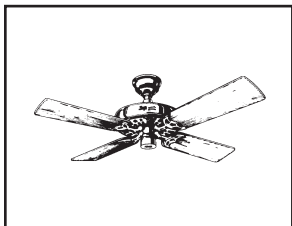
SOME AMERICAN STATES AND CANADIAN PROVINCES DO NOT ALLOW:

- LIMITATIONS ON HOW LONG AN IMPLIED WARRANTY LASTS;
- THE EXCLUSION OR LIMITATION OF DIRECT, INDIRECT SPECIAL, INCIDENTAL OR CONSEQUENTIAL DAMAGES;

SO THE ABOVE LIMITATIONS MAY NOT APPLY TO YOU.

THIS WARRANTY GIVES YOU SPECIFIC LEGAL RIGHTS AND YOU MAY ALSO HAVE OTHER RIGHTS WHICH VARY FROM STATE TO STATE OR PROVINCE TO PROVINCE.

Other Home Comfort Products from Hunter



The Care-Free
Humidifier™

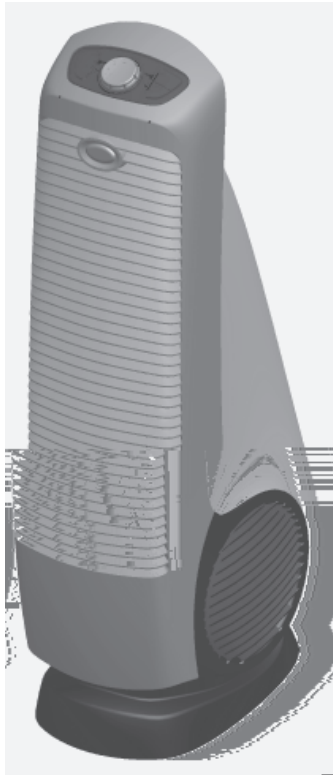
Programmable
Thermostat

To learn more about Hunter Fan Company products, please see our Web page at:

www.hunterfan.com



Purificador de aire
HEPAtech® Plus








Modelos 30775, 30776 y 30777

Modelo	Filtro de carbón para olores	Filtro HEPAtech®
30775	30901	30944
30776		
30777		

www.hunterfan.com

Tabla de contenido

Instrucciones de seguridad	3
Introducción	3
 Descripción del sistema de filtrado de aire	
Cómo funciona el purificador de aire	4
Componentes del purificador de aire.....	4
Pantalla y teclas de control.....	5
 Operación	
Operación inicial	6
Contadores de vida de filtro.....	8
Restablecimiento del purificador de aire	8
Uso del ionizador	9
 Mantenimiento del purificador de aire	
Limpieza de su purificador de aire	10
Limpieza de los prefiltros & Cambio de filtro de carbón para olores.....	10
Cambio de filtro principal HEPAtch®	11
Obtención de filtros de reemplazo.....	13
 Localización de fallas	
Problemas y soluciones	14
Soporte técnico	14
 Información de garantía	15

INSTRUCCIONES DE SEGURIDAD

¡IMPORTANTE! LEA TODAS LAS INSTRUCCIONES ANTES DE USAR ESTE PURIFICADOR DE AIRE.

1. Este purificador está diseñado para usarse en un piso plano y nivelado, y puede no funcionar correctamente en pisos irregulares. SIEMPRE coloque este purificador de aire en un piso firme y nivelado. SIEMPRE coloque el purificador al menos a 15 cm. (6") de las paredes y de fuentes de calor como estufas, radiadores o calentadores.
2. Colóquelo en un área fuera del alcance de los niños.
3. Antes de usar el purificador de aire, extienda el cordón e inspecciónelo buscando cualquier señal de daños. NO use el producto si el cordón está dañado.
4. Este producto tiene un enchufe polarizado (una espiga es más ancha que la otra) como característica de seguridad. Este enchufe sólo se podrá introducir en una toma polarizada de una sola manera. Si el enchufe no entra completamente en la toma de corriente, invierta el enchufe. Si todavía no encaja, contacte con un electricista calificado. NO trate de inhabilitar o anular esta característica de seguridad.
5. SIEMPRE DESENCHUFE el purificador de aire mientras se esté limpiando.
6. NO lo incline ni lo mueva durante su operación. Apáguelo y desenchúfelo antes de moverlo.
7. NO sumerja el purificador de aire en agua porque pueden producirse daños permanentes. Para limpiar adecuadamente su purificador de aire, siga las instrucciones de la sección Mantenimiento de este manual (página 10).

LEA Y GUARDE ESTAS INSTRUCCIONES

Introducción

Gracias por comprar el Purificador de aire HEPAtch[®] Plus de Hunter Fan Company. Usted ha adquirido nuestro más reciente desarrollo en purificación portátil de aire, diseñado para mejorar la calidad del aire que respira. Su Purificador de aire Hunter incluye las siguientes novedosas características.

- Alta eficiencia de filtrado de partículas: El filtro HEPAtch[®] eliminará el 99.97% de las partículas de 0.1 micrones del aire que pasa a través del filtro.
- Eliminación de olores: El filtro de carbón activado ayuda a eliminar los olores, como el de la cocina, el humo, y los olores de mascotas del aire.
- Ionizador: El ionizador mejora la calidad del aire en la habitación mediante la liberación de iones negativos en el aire, que atraen el polvo, el humo y las partículas de polen cargadas positivamente.
- Silencioso: El purificador de aire se ha diseñado para funcionar silenciosa y eficientemente. Puede elegir entre tres velocidades para satisfacer sus necesidades en momentos diferentes.
- Contadores de filtros: El mantenimiento del filtro es crítico para el funcionamiento del purificador de aire. Para ayudarle a determinar cuando cambiar los filtros, los prefiltros y el filtro HEPAtch[®], la unidad tiene incorporados contadores de vida útil que llevan la cuenta de la vida restante de cada filtro.



Descripción del sistema de filtrado de aire

Cómo funciona el sistema del Purificador de aire HEPatech® Plus

Mientras el aire es atraído hacia el purificador, los prefiltros capturan partículas grandes. Luego, el aire viaja a través del filtro principal HEPatech® donde se acumulan las partículas más pequeñas. Los olores son eliminados mientras pasan a través del filtro de carbón para olores. Luego, el ionizador libera iones negativos en el aire que atraen el polvo, el humo y las partículas de polen cargadas positivamente. Finalmente, el aire purificado y limpio es devuelto en la habitación.

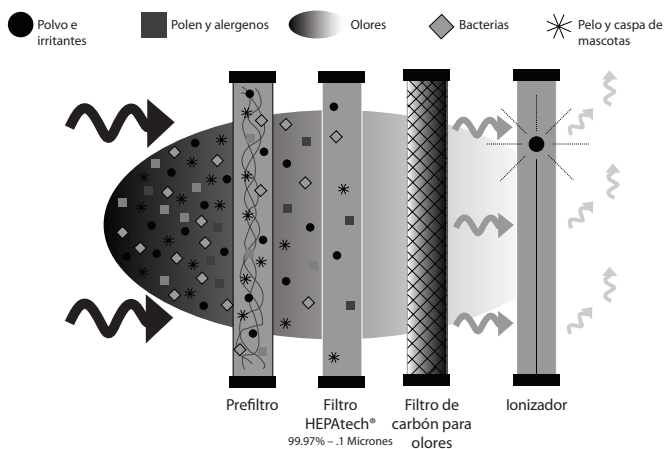


Fig. 1 - Ilustración del sistema de filtrado de aire

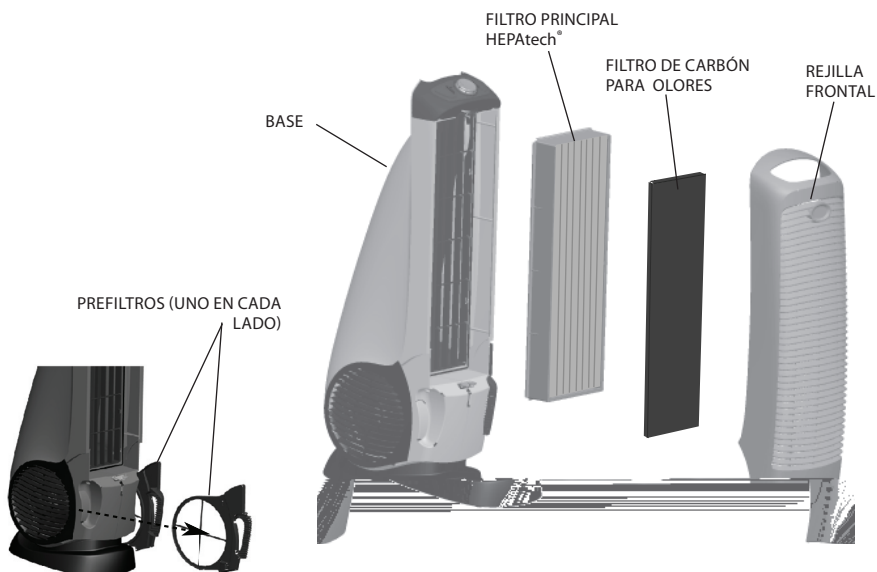


Fig. 2 - Componentes del purificador de aire





Operación inicial

Esta sección proporciona instrucciones básicas sobre el uso de su purificador de aire. Después de seguir esta orientación inicial, continúe leyendo este folleto para aprender a operar las funciones más avanzadas de su purificador de aire.

Operación básica del purificador de aire:

1. Retire el purificador de aire de la caja y quite la bolsa plástica de protección. Coloque la unidad sobre un piso firme y nivelado.
2. Antes de encender el purificador de aire, debe confirmar que el filtro principal HEPAtech® esté firmemente en posición y que no se haya aflojado durante el despacho. Para revisar el filtro, quite la rejilla delantera colocando sus dedos debajo de la manija en la rejilla y tire hacia arriba. Consulte las Figs. 4 y 5.



Fig. 4

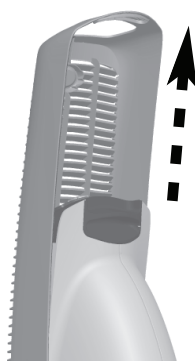


Fig. 5

3. Inspeccione el filtro para asegurar que la parte inferior del filtro esté segura y la parte superior del filtro se encuentre detrás de la pestaña del filtro. Consulte la Fig. 6.

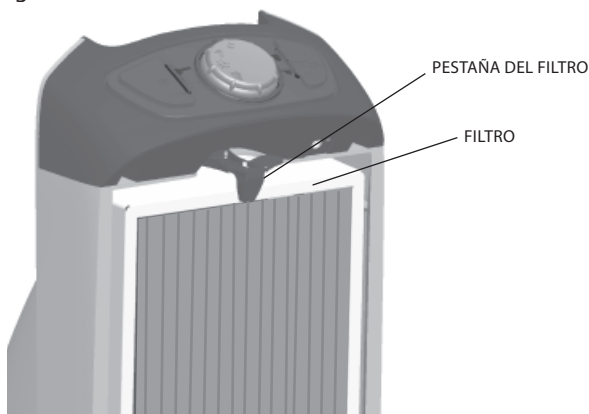


Fig. 6



4. Cuando el filtro esté seguro, coloque la rejilla delantera nuevamente en la unidad. Coloque la rejilla sobre la parte delantera del purificador de aire y bájela hasta su posición. Consulte la Fig. 6. NOTA: Esta unidad no funcionará a menos que la rejilla esté en la posición correcta. Si el filtro no está seguro, consulte la sección Cambio de filtro principal HEPAtech® (página 14).

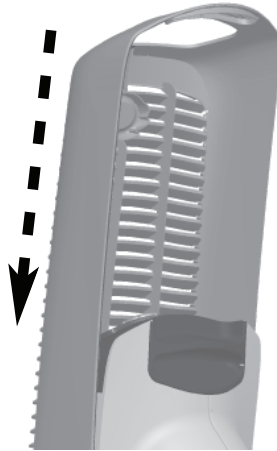


Fig. 7

5. Conecte la unidad en una toma de corriente de 120 V y presione la perilla de velocidad. El purificador de aire se encenderá con una velocidad baja del ventilador y el LED azul se encenderá. Use la perilla de velocidad para ajustar la velocidad del ventilador al nivel deseado (Apagado, Apagado automático, Activo, limpieza). Consulte la Fig. 8.

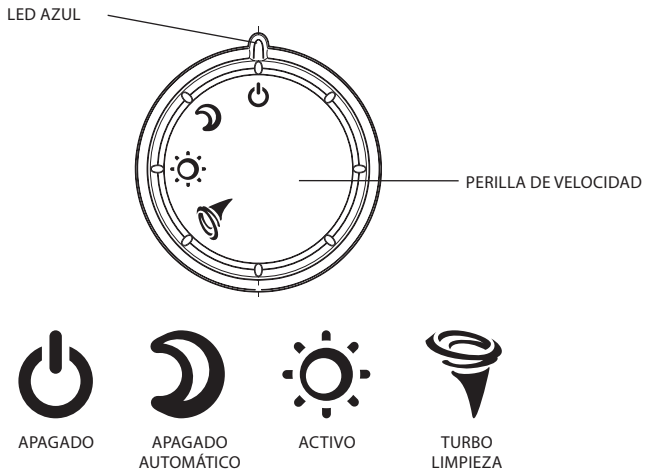


Fig. 8



Contadores de vida de filtro

Los prefiltros, filtro de carbón para olores, y filtro principal HEPAtch[®] son fundamentales para el correcto funcionamiento del purificador de aire. Para ayudarle a saber cuando cambiar o limpiar los filtros, su purificador de aire Hunter tiene contadores de vida de filtro que monitorean la vida de su filtro. Aunque la vida exacta de los filtros depende del ambiente, la siguiente tabla proporciona tiempos de utilización típica de filtros.

Tabla 2: Tiempos de utilización típica de filtros

Tipo de filtro	Utilización típica
Filtro principal HEPAtch [®]	2800 horas
Prefiltro / Filtro de carbón para olores	1400 horas

Cuando los prefiltros y el indicador de filtro de carbón para olores se enciendan, limpie los prefiltros y cambie el filtro de carbón para olores. Reemplace el filtro principal HEPAtch[®] cuando el indicador del filtro principal HEPAtch[®] se encienda.

Los valores de los contadores de vida del filtro se almacenan en la memoria del purificador de aire. La unidad puede ser desconectada y movida o almacenada sin perder los valores de los contadores de filtro y prefiltro.

Para llevar la cuenta correctamente de la vida de los filtros, restablezca los contadores de vida de filtro cada vez que se cambien o limpien los filtros. Consulte las secciones de prefiltros y filtro de carbón para olores (página 10) o Cambio de filtro (página 11) para obtener instrucciones de cómo restablecer los contadores.

Restablecimiento del purificador de aire

En la poco común situación que la unidad o la pantalla exhiba un comportamiento errático, puede desear restablecer el purificador de aire. Si aún tiene problemas después de restablecer el purificador de aire, contacte con Hunter para recibir ayuda adicional (vea Soporte técnico en la página 14).

Para restablecer el purificador de aire:

1. Desconecte la unidad por al menos 30 segundos.
2. Conecte la unidad nuevamente.

Uso del ionizador

El uso del ionizador mejora la calidad del aire en la habitación. Los iones en el aire atraen el polvo, el humo y las partículas de polvo cargadas. Estas partículas se depositan y pueden ser aspiradas por una limpieza. Estas partículas también son capturadas más fácilmente por el filtro mientras pasan a través del Sistema de purificación de aire HEPA. La mejor circulación de aire en la habitación, y el aire más limpio que fluye a 15 cm (6") de distancia de 200-1000 ft² (20-110 m²).

NO use el ionizador si se usa en una habitación con presencia de humo, vapor de agua, aerosoles, productos químicos, etc. Los iones APARCERIA pueden causar irritación en el ionizador en presencia de humo, vapor de agua, aerosoles, etc. Los iones APARCERIA pueden causar irritación en el ionizador en presencia de humo, vapor de agua, aerosoles, etc. Los iones APARCERIA pueden causar irritación en el ionizador en presencia de humo, vapor de agua, aerosoles, etc.



Mantenimiento del purificador de aire

Limpieza de su purificador de aire

El correcto mantenimiento de su Purificador de aire Hunter ayudará a asegurar años de servicio sin problemas.

Siga estos pasos para dar un mantenimiento apropiado a su purificador de aire:

1. Aproximadamente cada 90 días, debe limpiarse la parte externa de la unidad con un paño suave y húmedo.
2. Si es necesario, la rejilla delantera puede retirarse de la unidad y ser limpiada con agua jabonosa. NOTA: Retire el filtro de carbón para olores antes de exponer la rejilla delantera al agua.
3. Siga las instrucciones en Limpieza de prefiltros y Cambio de filtro de carbón para olores (página 10) y Cambio de filtro principal HEPAtech® (página 11) para determinar cuándo y cómo reemplazar los filtros.

NOTAS:

- El purificador de aire debe desconectarse durante el proceso de limpieza.
- Asegúrese que la unidad esté completamente seca antes de conectarla y usarla.
- Jamás sumerja la unidad en agua.

Limpieza de los prefiltros & Cambio de filtro de carbón para olores

Cuando el prefiltro exceda las 1400 horas (consulte Contadores de vida de filtro para información adicional en la página 8), el indicador de prefiltro se encenderá para recordarle que debe limpiar el prefiltro y cambiar el filtro de carbón para olores. Para mantener una adecuada capacidad de eliminación de olores y un rendimiento de filtrado general, el prefiltro debe limpiarse y el filtro de carbón para olores debe ser reemplazado cada 1400 horas (aproximadamente 3 meses de uso). Si es necesario, limpie el prefiltro y cambie el filtro para olores con mayor frecuencia. Un adecuado mantenimiento del prefiltro ayudará a prolongar la vida del filtro HEPAtech®. Consulte Obtención de filtros de reemplazo (página 13) si necesita ayuda para hallar filtros de reemplazo.

Para limpiar los prefiltros, cambie el filtro de carbón para olores y restablezca el contador de vida del filtro de carbón de olores y prefiltros:

1. Primero, apague y desconecte el purificador de aire.
2. Luego, retire la rejilla delantera. Consulte las Figs. 4 y 5 (página 6).
3. Retire los prefiltros (consulte Fig. 2, página 4) y use una aspiradora para retirarles el polvo. Luego, introduzca nuevamente los prefiltros en el purificador de aire.
4. El filtro de carbón para olores se sujeta en la parte trasera de la rejilla delantera con cuatro seguros. Retire el filtro de carbón de olores y presione suavemente un nuevo filtro en posición.
5. Si es necesario, use un paño suave y húmedo para limpiar la rejilla delantera.



6. Coloque la rejilla delantera nuevamente en la unidad.
7. Conecte el purificador de aire.
8. Para restablecer el contador a cero y apagar el indicador, presione y mantenga presionada la tecla Restablecer filtro de carbón para olores y prefiltro por tres segundos, luego suelte el botón.
9. Para restablecer el contador de vida del filtro a cero antes de su expiración, presione y mantenga presionada la tecla Restablecer prefiltro por tres segundos. Cuando el indicador comience a destellar, suelte la tecla. Luego, una vez más, presione y mantenga presionada la tecla Restablecer prefiltro por tres segundos. El indicador se apagará. El contador será restablecido a cero.

Cambio de filtro principal HEPAtech®

Cuando el filtro principal HEPAtech® excede las 2800 horas (aproximadamente de 4 a 6 meses de uso), el indicador del filtro principal HEPAtech® se encenderá para recordarle que debe reemplazar el filtro. Consulte a Contadores de vida del filtro para obtener información adicional en la pág. 8. Este es un recordatorio para que verifique el filtro y lo reemplace si es necesario. El tiempo adecuado para cambiar el filtro depende de su utilización y el ambiente. Generalmente, Si observa una disminución en la salida de aire o un aumento en el ruido en cualquier momento durante la operación normal, el filtro puede estar obstruido. Reemplace el filtro para regresar a operación normal.

Para cambiar el filtro y restablecer el contador de vida del filtro:

1. Primero, apague y desconecte el purificador de aire.
2. Luego, retire la rejilla delantera. Coloque sus dedos debajo de la manija de la rejilla delantera y tire hacia arriba. Consulte las Figs. 4 y 5 (página 6).
3. Levante la pestaña del filtro y suavemente retire el filtro de la unidad. Consulte la Fig. 6. Mientras retira el filtro, observe la orientación del filtro - el nuevo filtro se instalará con la misma orientación. Consulte la Fig. 10. Luego de haberlo retirado, el filtro usado debe ser desechado.
4. Para instalar un nuevo filtro, coloque el filtro con el borde hacia la unidad. Consulte la Fig. 10.

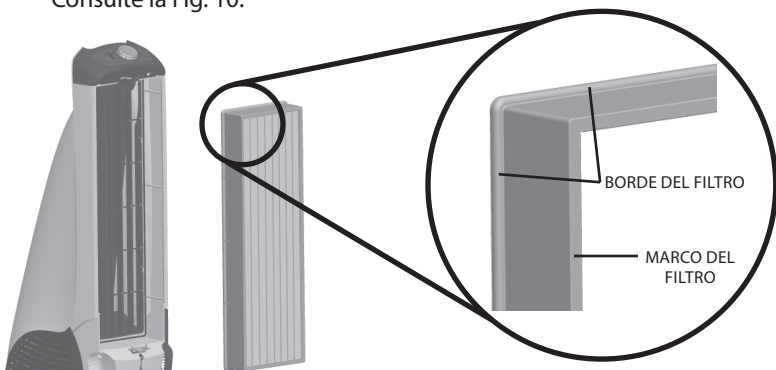


Fig. 10



Mantenimiento del purificador de aire

5. Coloque la parte inferior del borde del filtro atrás de los resaltos a cada lado de la parte inferior de la unidad. Consulte la Fig. 11.

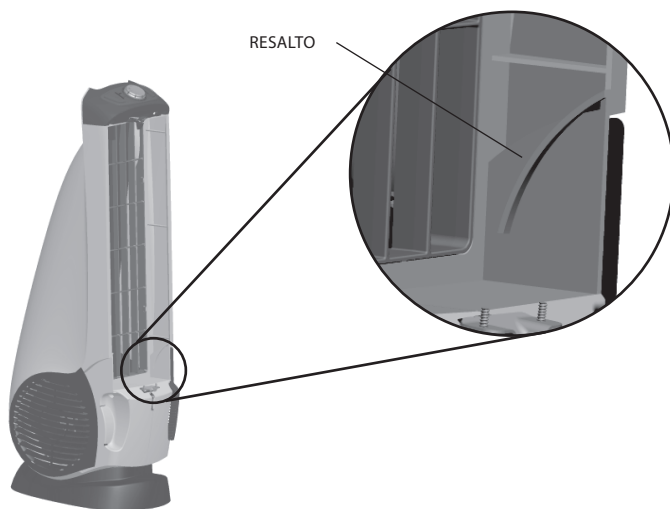


Fig. 11

6. Levante la pestaña del filtro y presione la parte superior del filtro hacia el purificador de aire. Para evitar dañar el filtro, sólo debe presionar el marco del filtro. Cuando el nuevo filtro esté en posición, suelte la pestaña del filtro.
7. Coloque la rejilla delantera nuevamente en la unidad. Consulte las Figs. 7, pág. 7. NOTA: Esta unidad no funcionará a menos que la rejilla esté en la posición correcta.
8. Conecte la unidad.
9. Para restablecer el contador de vida del filtro a cero y apagar el indicador, presione y mantenga presionada la tecla Restablecer el filtro HEPAtech® por tres segundos, luego suelte el botón.
10. Para restablecer el contador a cero antes de su expiración, presione y mantenga presionada la tecla Restablecer filtro HEPAtech® por tres segundos. Cuando el indicador comience a destellar, suelte la tecla. Luego, una vez más, presione y mantenga presionada la tecla Restablecer filtro HEPAtech® por tres segundos. El indicador se apagará. El contador está restablecido a cero.



Obtención de filtros de reemplazo

Para obtener filtros de reemplazo para su purificador de aire, primero determine el número de su modelo mirando la etiqueta en la parte posterior del purificador. El número de modelo estará indicado en la etiqueta. Luego, llame a 1-800-4HUNTER para información sobre su representante más cercano o a Servicio al cliente de Hunter al 1-800-313-3326 (CAN 1-888-855-8300). Para ordenar en línea, visita nuestro sitio web en www.hunterfan.com. Para asegurar que obtenga los filtros correctos, vea a continuación el número de su modelo que indica los filtros de reemplazo correctos.

Purificador de aire Hunter Modelo No.:	30775, 30776, 30777
Reemplazo de filtro de carbón de olores Modelo No.:	30901
Reemplazo de filtro HEPAtch® Modelo No.:	30944



Localización de fallas

Problema	Soluciones
1. No hay visualización u operación.	<ul style="list-style-type: none">• Confirme que la unidad esté conectada.• Verifique la instalación de la rejilla delantera.• Restablezca el purificador de aire. (Consulte Restableciendo el purificador de aire en la pág. 8.)
2. Operación errática.	<ul style="list-style-type: none">• Restablezca el purificador de aire. (Consulte Restableciendo el purificador de aire en la pág. 8.)
3. El indicador de filtro y/o prefiltro destella.	<ul style="list-style-type: none">• Los contadores de vida de filtro y/o prefiltro han alcanzado los tiempos estimados de utilización. Verifique los filtros y reemplácelos si es necesario. (Consulte Contadores de filtro y prefiltro en las páginas 10 y 11.)
4. La unidad ha reducido el flujo de aire o aumentado el ruido.	<ul style="list-style-type: none">• El filtro está obstruido y debe remplazarse. (Consulte Cambio del filtro en la pág. 11.)

Soporte técnico

Si tiene alguna otra pregunta o inquietud sobre su purificador de aire Hunter, llame al 1-888-830-1326 de 8:00 AM a 5:00 PM, hora del centro, o contáctenos a través de Internet en www.hunterfan.com.

Hunter Fan Company
Purificador de aire HEPAtch® Plus
GARANTÍA LIMITADA DE 5 AÑOS

Hunter Fan Company otorga la siguiente garantía limitada al usuario o comprador residencial original del Purificador de aire HEPAtch® Plus:

Si cualquier pieza del motor o panel de control de su Purificador de aire HEPAtch® Plus falla durante los primeros cinco (5) años desde la fecha de instalación debido a un defecto de material o mano de obra, le proporcionaremos un Purificador de aire de reemplazo en forma gratuita. Se considera que la instalación se realiza en la fecha de compra.

Si el cordón del purificador de aire o la rejilla delantera falla antes de un (1) año después de la instalación debido a un defecto en materiales o mano de obra, reemplazaremos o, a nuestra elección, repararemos la unidad sin costo para usted en nuestro centro de servicio más cercano o en nuestro Departamento de Servicio en Memphis, Tennessee. Usted será responsable por el costo de las piezas y la mano de obra después de este período de un año.

EL USO DE UN FILTRO QUE NO SEA DE HUNTER INVALIDARÁ ESTA GARANTÍA. SI EL USUARIO O COMPRADOR RESIDENCIAL ORIGINAL DEJA DE POSEER EL Purificador de aire, ESTA GARANTÍA Y CUALQUIER GARANTÍA IMPLÍCITA QUE PERMANEZCA EN EFECTO, INCLUYENDO PERO SIN LIMITARSE A TODA GARANTÍA IMPLÍCITA DE COMERCIALIZACIÓN O IDONEIDAD PARA UN PROPÓSITO PARTICULAR, QUEDA ANULADA.

NO SE OFRECE NINGUNA GARANTÍA EXPRESA O IMPLÍCITA, INCLUYENDO CUALQUIER GARANTÍA DE COMERCIALIZACIÓN O IDONEIDAD PARA UN PROPÓSITO PARTICULAR, EN RELACIÓN CON EL MATERIAL DEL FILTRO O EL FILTRO DE CARBÓN.

ESTA GARANTÍA SUSTITUYE A TODAS LAS OTRAS GARANTÍAS EXPRESAS. LA DURACIÓN DE TODA GARANTÍA IMPLÍCITA, INCLUYENDO PERO SIN LIMITARSE A CUALQUIER GARANTÍA IMPLÍCITA DE COMERCIALIZACIÓN O IDONEIDAD PARA UN PROPÓSITO PARTICULAR, RELACIONADA CON EL MOTOR ESTÁ EXPRESAMENTE LIMITADA AL PERÍODO DE LA GARANTÍA EXPRESA ESTABLECIDA ANTERIORMENTE.

Esta garantía será nula si el Purificador de aire no fue comprado en los EE.UU. o Canadá.

Esta garantía excluye y no cubre defectos, averías o fallas del Purificador de aire que fueran ocasionados por reparaciones por parte de personas no autorizadas por nosotros, por el uso de piezas o accesorios no autorizados por nosotros, por mal uso, modificaciones, o daños al Purificador de aire mientras esté en su posesión, o por un empleo no razonable, incluyendo la falta de suministrar un razonable y necesario mantenimiento. Esta garantía no cubre Purificadores de aire usados en aplicaciones comerciales. No hay garantías expresas o implícitas en lo que respecta a compradores o usuarios comerciales.



Garantía

Para obtener servicio, contacte con el centro de servicio autorizado Hunter más cercano o con el Departamento de servicio de Hunter Fan Company, en 2500 Frisco Avenue, Memphis, Tennessee 38114, 1-888-830-1326. Para obtener el nombre de su Centro de servicio autorizado más cercano, escriba a Hunter Fan Company a la dirección mencionada. Usted será responsable por el seguro y el flete u otro transporte hasta nuestro centro de servicio en la fábrica. Devolveremos el Purificador de aire con el flete prepagado. El Purificador de aire debe estar adecuadamente embalado para evitar daños mientras esté en tránsito, ya que no seremos responsables de dichos daños. Debe proporcionar una prueba de su compra cuando solicite un servicio de garantía. El comprador debe presentar el recibo de compra u otro documento que establezca la prueba de su compra.

EN NINGÚN CASO, HUNTER FAN COMPANY SERÁ RESPONSABLE DE DAÑOS DIRECTOS, INDIRECTOS, CUANTIFICABLES, PERJUDICIALES O ACCESORIOS, EN EXCESO DEL PRECIO DE COMPRA DEL HUMIDIFICADOR. SU ÚNICO RECURSO SERÁ LA REPARACIÓN O EL REEMPLAZO COMO SE ESTIPULÓ ANTERIORMENTE.

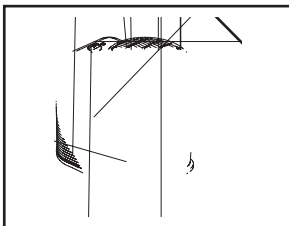
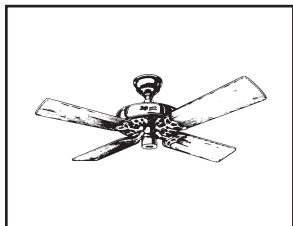
ALGUNOS ESTADOS NORTEAMERICANOS Y ALGUNAS PROVINCIAS CANADIENSES NO PERMITEN:

- LIMITACIONES SOBRE LA DURACIÓN DE UNA GARANTÍA IMPLÍCITA;
- LA EXCLUSIÓN O LIMITACIÓN DE DAÑOS DIRECTOS, INDIRECTOS, CUANTIFICABLES, ACCESORIOS O PERJUDICIALES;

DE MODO QUE LAS LIMITACIONES ANTES MENCIONADAS PUEDEN NO APLICARSE A USTED.

ESTA GARANTÍA LE DA DERECHOS LEGALES ESPECÍFICOS, PERO USTED TAMBIÉN PUEDE TENER OTROS DERECHOS QUE VARÍAN DE ESTADO A ESTADO O DE PROVINCIA A PROVINCIA.

Otros productos de Hunter para la comodidad de



Humidificador™ Libre
de Mantenimiento



Termostato
Programable

Para obtener más información sobre los productos Hunter Fan Company,
visite nuestra página Web en:

www.hunterfan.com

