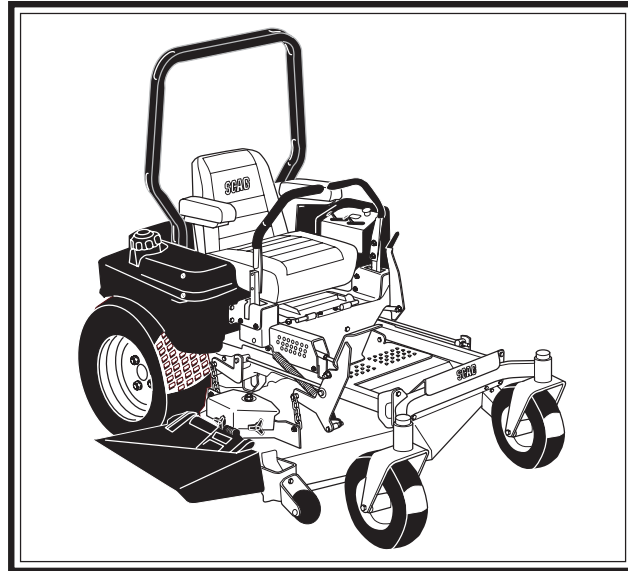


# SCAG<sup>®</sup>

## POWER EQUIPMENT

MODEL STC48V-24BS



THIS MANUAL CONTAINS THE OPERATING INSTRUCTIONS AND SAFETY INFORMATION FOR YOUR SCAG MOWER. READING THIS MANUAL CAN PROVIDE YOU WITH ASSISTANCE IN MAINTENANCE AND ADJUSTMENT PROCEDURES TO KEEP YOUR MOWER PERFORMING TO MAXIMUM EFFICIENCY. THE SPECIFIC MODELS THAT THIS BOOK COVERS ARE CONTAINED ON THE INSIDE COVER. BEFORE OPERATING YOUR MACHINE, PLEASE READ ALL THE INFORMATION ENCLOSED.

© 2005  
SCAG POWER EQUIPMENT  
DIVISION OF METALCRAFT OF MAYVILLE, INC.

PART NO. 03188  
PRINTED 7/2005  
PRINTED IN USA

OPERATOR'S MANUAL



# WARNING:

## **FAILURE TO FOLLOW SAFE OPERATING PRACTICES MAY RESULT IN SERIOUS INJURY.**

- \* Keep all shields in place, especially the grass discharge chute.
- \* Before performing any maintenance or service, stop the machine and remove the spark plug wire and ignition key.
- \* If a mechanism becomes clogged, stop the engine before cleaning.
- \* Keep hands, feet and clothing away from power-driven parts.
- \* Read this manual completely as well as other manuals that came with your mower.
- \* Keep others off the tractor (only one person at a time)

## **REMEMBER - YOUR MOWER IS ONLY AS SAFE AS THE OPERATOR!**

**Hazard control and accident prevention are dependent upon the awareness, concern, prudence, and proper training of the personnel involved in the operation, transport, maintenance, and storage of the equipment.**

This manual covers the operating instructions  
and illustrated parts list for:

**STC48V-24BS with a serial number of B5000001 to B5099999**  
**SMTC-48V with a serial number of B5900001 to B5999999**

Always use the entire serial number listed on the serial number tag when referring to this product.



## TABLE OF CONTENTS

SUBJECT	PAGE
<b>Section 1 - General Information</b>	
1.1 Introduction .....	1
1.2 Directional Reference .....	1
1.3 Servicing the Engine and Drive Train Components .....	1
1.3 Symbols .....	2-3
<b>Section 2 - Safety Information</b>	
2.1 Introduction .....	4
2.2 Signal Words .....	4
2.3 Before Operation Considerations .....	4
2.4 Operation Considerations .....	5
2.5 Roll Over Protection System .....	6
2.6 Maintenance Considerations .....	8
2.7 Safety and Instructional Decals .....	9
<b>Section 3 - Specifications</b> .....	10-11
<b>Section 4 - Operating Instructions</b>	
4.1 Controls and Instrument Identification .....	12
4.2 Safety Interlock System .....	13
4.3 Initial Run-In Procedures .....	14
4.4 Starting the Engine .....	14
4.5 Ground Travel and Steering .....	14
4.6 Engaging the Deck Drive .....	15
4.7 Hillside Operation .....	16
4.8 Parking the Mower .....	16
4.9 After Operation .....	16
4.10 Removing Clogged Material .....	17
4.11 Moving Mower with Engine Stopped .....	17
4.12 Recommendations for Mowing .....	17
4.13 Adjusting Cutting Height .....	17
4.14 Towing .....	18
<b>Section 5 - Troubleshooting Cutting Conditions</b> .....	19-21

# TABLE OF CONTENTS (CONT'D)

SUBJECT	PAGE
<b>Section 6 - Adjustments</b>	
6.1 Parking Brake Adjustment .....	22
6.2 Travel Adjustments .....	23
6.3 Throttle Control and Choke Adjustments .....	24
6.4 Belt Adjustment .....	24
6.5 Belt Alignment .....	24
6.6 Cutter Deck Adjustments .....	25
<b>Section 7 - Maintenance</b>	
7.1 Maintenance Chart .....	28
7.2 Lubrication Fitting Points .....	29
7.3 Hydraulic System .....	31
7.4 Engine Oil .....	32
7.5 Engine Fuel System .....	32
7.6 Engine Air Cleaner .....	33
7.7 Battery .....	34
7.8 Drive Belts .....	35
7.9 Cutter Blades .....	35
7.10 Tires .....	36
7.11 Body, Deck and Upholstery .....	36
<b>Section 8 - Replacement Parts</b>	
Notes .....	37
STC48V Cutter Deck .....	38-39
Cutter Deck Controls .....	40-41
Sheet Metal Components .....	42-43
STC Roll-Over Protection System .....	44-45
Drive System Components .....	46-47
Engine and Attaching Parts - Briggs & Stratton .....	48-49
Steering Components .....	50-51
Brake Components .....	52-53
Fuel and Hydraulic System .....	54-55
Electrical System .....	56-57
Hydraulic Pump (BDP-10A) .....	58-59
Replacement Decals .....	60-61
Electrical Schematic - Briggs & Stratton .....	62
Warranty Statement .....	Following Illustrated Parts List

# GENERAL INFORMATION

## 1.1 INTRODUCTION

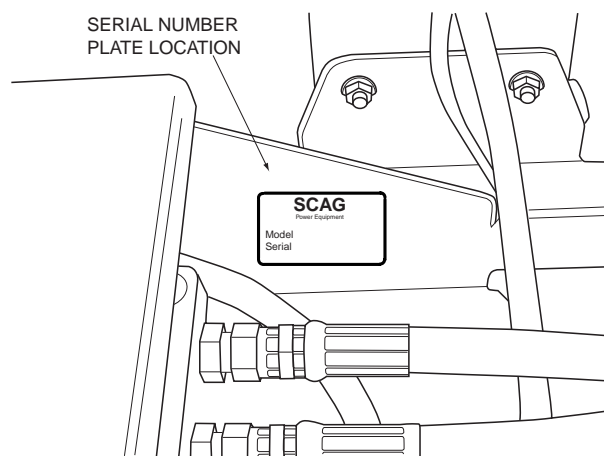
Your mower was built to the highest standards in the industry. However, the prolonged life and maximum efficiency of your mower depends on you following the operating, maintenance and adjustment instructions in this manual.

If additional information or service is needed, contact your Scag Power Equipment Dealer.

We encourage you to contact your dealer for repairs. All Scag dealers are informed of the latest methods to service this equipment and provide prompt and efficient service in the field or at their service shop. They carry a full line of Scag service parts.

### USE OF OTHER THAN ORIGINAL SCAG REPLACEMENT PARTS WILL VOID THE WARRANTY.

When ordering parts, always give the model and serial number of your tractor. The serial number plate is located where shown in Figure 1-1.



STC 2001 SPL-1

**Figure 1-1 Tractor Serial Number Plate Location**

### USE ONLY SCAG APPROVED ATTACHMENTS AND ACCESSORIES.

Attachments and accessories manufactured by companies other than Scag Power Equipment are not approved for use on this machine.

Scag approved attachments and accessories:

- GC-STC-V (p/n 9057)
- GC-STC-CSV (p/n 9061)
- Mulch Plate (p/n 9286)
- Hurricane Mulch (p/n 9283)
- STC Hitch (p/n 9241)
- STC - Lights (p/n 9274)
- Tiger Striper (p/n 9269)
- Blade Buddy (p/n 9212)

## **! WARNING:**

**For pictorial clarity, some illustrations and figures in this manual may show shields, guards or plates open or removed. Under no circumstances should your mower be operated without these devices in place.**

All information is based upon product information available at the time of approval for printing. Scag Power Equipment reserves the right to make changes at any time without notice and without incurring any obligation.











## 1.2 DIRECTION REFERENCE











The “Right” and “Left”, “Front” and “Rear” of the machine are referenced from the operator’s right and left when seated in the normal operating position and facing the forward travel direction.

## 1.3 SERVICING THE ENGINE AND DRIVE TRAIN COMPONENTS

The detail servicing and repair of the engine, hydraulic pumps and gearboxes are not covered in this manual; only routine maintenance and general service instructions are provided. For service of these components during the limited warranty period, it is important to contact your Scag dealer or find a local authorized servicing agent of the component manufacturer. Any unauthorized work done on these components during the warranty period may void your warranty.



SYMBOL	DESCRIPTION	SYMBOL	DESCRIPTION
	Choke		Transmission
	Parking Brake	 <small>48071S</small>	Spinning Blade
	On/Start		Spring Tension on Idler
	Off/Stop		Oil
	Falling Hazard		Thown Object Hazard

SYMBOL	DESCRIPTION	SYMBOL	DESCRIPTION
	Fast		Slow
	Continuously Variable - Linear		Cutting Element - Basic symbol
	Pinch Point		Cutting Element - Engage
	Hourmeter/Elapsed Operating Hours		Cutting Element - Disengage
	Thown Object Hazard Keep Bystanders Away		Read Operator's Manual

### SAFETY INFORMATION

#### 2.1 INTRODUCTION

Your mower is only as safe as the operator. Carelessness or operator error may result in serious bodily injury or death. Hazard control and accident prevention are dependent upon the awareness, concern, prudence, and proper training of the personnel involved in the operation, transport, maintenance and storage of the equipment. Make sure every operator is properly trained and thoroughly familiar with all of the controls before operating the mower. The owner/user can prevent and is responsible for accidents or injuries occurring to themselves, other people or property.

#### **READ THIS OPERATOR'S MANUAL BEFORE ATTEMPTING TO START YOUR MOWER.**

A replacement manual is available from your authorized Scag Service Dealer or by contacting Scag Power Equipment, Service Department at P.O. Box 152, Mayville, WI 53050 or via the Internet at [www.scag.com](http://www.scag.com). The manual for your machine can be downloaded by using the model and serial number or use the contact form to make your request. Please indicate the complete model and serial number of your Scag product when requesting replacement manuals.

#### 2.2 SIGNAL WORDS



This symbol means **“Attention! Become Alert! Your Safety is Involved!”** The symbol is used with the following signal words to attract your attention to safety messages found on the decals on the machine and throughout this manual. The message that follows the symbol contains important information about safety. To avoid injury and possible death, carefully read the message! Be sure to fully understand the causes of possible injury or death.

#### **Signal Word:**

It is a distinctive word found on the safety decals on the machine and throughout this manual that alerts the viewer to the existence and relative degree of the hazard.

#### **DANGER:**

The signal word “DANGER” denotes that an extremely hazardous situation exists on or near the machine that could result in high probability of death or irreparable injury if proper precautions are not taken.

#### **WARNING:**

The signal word “WARNING” denotes that a hazard exists on or near the machine that can result in injury or death if proper precautions are not taken.

#### **CAUTION:**

The signal word “CAUTION” is a reminder of safety practices on or near the machine that could result in personal injury if proper precautions are not taken.

Your safety and the safety of others depends significantly upon your knowledge and understanding of all correct operating practices and procedures of this machine.

#### 2.3 BEFORE OPERATION CONSIDERATIONS

1. **NEVER** allow children to operate this riding mower. Do not allow adults to operate this machine without proper instructions.
2. **DO NOT** mow when children and/or others are present. Keep children out of the mowing area and in the watchful care of a responsible adult other than the operator. Be alert and turn machine off if a child enters the area.
3. Clear the area to be mowed of objects that could be picked up and thrown by the cutter blades.
4. **DO NOT** carry passengers.
5. **DO NOT** operate the machine under the influence of alcohol or drugs.



## Section 2

### 2.3 BEFORE OPERATION CONSIDERATIONS (CONT'D)

6. If the operator(s) or mechanic(s) cannot read English or Spanish, it is the owner's responsibility to explain this material to them.
7. **DO NOT** wear loose fitting clothing. Loose clothing, jewelry or long hair could get tangled in moving parts. Do not operate the machine wearing shorts; always wear adequate protective clothing including long pants. Wearing safety glasses, safety shoes and a helmet is advisable and is required by some local ordinances and insurance regulations.
8. Operator hearing protection is recommended, particularly for continuous operation of the mower. Wear suitable hearing protection. Prolonged exposure to loud noise can cause hearing impairment or loss.
9. Keep the machine and attachments in good operating condition. Keep all shields and safety devices in place. If a shield, safety device or decal is defective or damaged, repair or replace it before operating the machine.

#### **WARNING:**

This machine is equipped with an interlock system intended to protect the operator and others from injury. This is accomplished by preventing the engine from starting unless the deck drive is disengaged, the parking brake is on, the steering control levers are in the neutral position and the operator is in the seat. The system shuts off the engine if the operator leaves the seat with the deck drive engaged and/or the steering control levers are not in the neutral position and/or the parking brake is not engaged. Never operate equipment with the interlock system disconnected or malfunctioning.

10. Be sure the interlock switches are functioning correctly.
11. Fuel is flammable; handle it with care. Fill the fuel tank outdoors. Never fill it indoors. Use a funnel or spout to prevent spillage. Clean up any spillage before starting the engine.

12. **DO NOT** add fuel to a running or hot engine. Allow the engine to cool for several minutes before adding fuel.
13. Keep flammable objects (cigarettes, matches, etc.), open flames and sparks away from the fuel tank and fuel container.
14. Equipment must comply with the latest requirements per SAE J137 and/or ANSI/ASAE S279 when driven on public roads.

#### **-NOTE-**

*If the mower is driven on public roads, it must comply with state and local ordinances as well as SAE J137 and/or ANSI / ASAE S279 requirements. Contact your local authorities for regulations and equipment requirements.*

15. **DO NOT** operate without the side discharge chute installed and in the down position or with an optional grass catcher or mulch plate completely installed.
16. Check the blade mounting bolts at frequent intervals for proper tightness.
17. Make sure all hydraulic fluid connections are tight and all hydraulic hoses and lines are in good condition before starting the machine.

### 2.4 OPERATION CONSIDERATIONS

1. Know the function of all controls and how to stop quickly.
2. Reduce speed and exercise extreme caution on slopes and in sharp turns to prevent tipping or loss of control. Be especially cautious when changing directions on slopes.

#### **WARNING:**

**DO NOT operate on steep slopes. To check a slope, attempt to back up it (with the cutter deck down). If the machine can back up the slope without the wheels slipping, reduce speed and use extreme caution. ALWAYS FOLLOW OSHA APPROVED OPERATION.**

### 2.4 OPERATION CONSIDERATIONS (CONT'D)

3. To prevent tipping or loss of control, start and stop smoothly, avoid unnecessary turns and travel at reduced speed.
4. When using any attachment, never direct the discharge of material toward bystanders or allow anyone near the machine while in operation.
5. Before attempting to start the engine, with the operator in the seat, disengage power to the cutter deck, place the steering control levers in the neutral position and engage the parking brake.
6. If the mower discharge ever plugs, shut off the engine, remove the ignition key, and wait for all movement to stop before removing the obstruction.

#### **WARNING:**

**DO NOT use your hand to dislodge the clogged discharge chute. Use a stick or other device to remove clogged material.**

7. Be alert for holes, rocks, roots and other hidden hazards in the terrain. Keep away from any dropoff. Beware of overhead obstructions (low limbs, etc.), underground obstacles (sprinklers, pipes, tree roots, etc.). Cautiously enter a new area. Be alert for hidden hazards.
8. Disengage power to cutter deck before backing up. Do not mow in reverse unless absolutely necessary and then only after observation of the entire area behind the mower.
9. **DO NOT** turn sharply. Use care when backing up.
10. Disengage power to cutter deck before crossing roads, walks or gravel drives.
11. Mow only in daylight or good artificial light.
12. **NEVER** raise the deck with the blades engaged.

13. Take all possible precautions when leaving the machine unattended, such as disengaging the mower, lowering the attachments, setting the parking brake, stopping the engine, and removing the key.
14. Disengage power to the attachments when transporting or when not in use.
15. The machine and attachments should be stopped and inspected for damage after striking a foreign object, and damage should be repaired before restarting and operating the machine.

#### **CAUTION:**

**DO NOT touch the engine or the muffler while the engine is running or immediately after stopping. These areas may be hot enough to cause a burn.**

#### **WARNING:**

**DO NOT run the engine inside a building or a confined area without proper ventilation. Exhaust fumes are hazardous and could cause death.**

16. Keep hands and feet away from cutter blades and moving parts. Contact can injure.
17. Use care when loading or unloading the machine onto a trailer or truck.
18. Use care when approaching blind corners, shrubs, trees, or other objects that may obscure vision.

### 2.5 ROLL-OVER PROTECTION SYSTEM

#### **WARNING:**

**Seat belt must be securely fastened during operation. Failure to do so could cause serious injury or loss of life.**

## Section 2

This mower has been designed for good traction and stability under normal mowing conditions. However, caution must be used when traveling on slopes, especially when the grass is wet. Do not mow on wet grass. Wet grass reduces traction and steering control.

Any or all parts of the Roll-Over Protection System **MUST NOT** be removed. Failure to adhere to this guideline could result in injury or death.

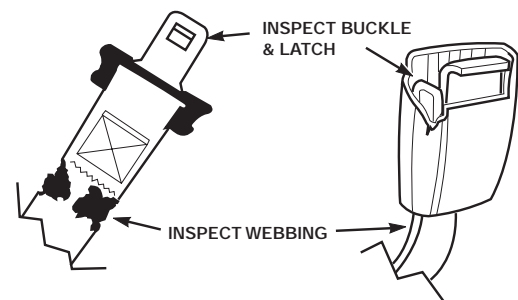
The potential exposure of this seat belt to severe environmental conditions make it crucial to inspect the seat belt system regularly.

It is recommended that the seat belt be inspected on a daily basis for signs of damage. Any seat belt system that shows cuts, fraying, extreme or unusual wear, significant discoloration due to UV exposure, dirt or stiffness, abrasion to the seat belt webbing, or damage to the buckle, latch plate, hardware or any other obvious problem should be replaced immediately.

### **WARNING:**

**Failure to properly inspect and maintain the seat belt can cause serious injury or loss of life.**

1. Check the full length of the seat belt webbing for cuts, wear, fraying, dirt and stiffness. See Figure 2-1.
2. Check the seat belt webbing in areas exposed to ultra violet rays from the sun or extreme dust or dirt. If the original color of the webbing in these areas is extremely faded and/or is packed with dirt, the physical strength of this webbing may have deteriorated. If this condition exists, replace the seat belt system.
3. Check the buckle and latch for proper operation and determine if the latch plate is excessively worn, deformed, or if the buckle is damaged or cracked. See Figure 2-1.



**Figure 2-1 Seat Belt Inspection**

### **WARNING:**

Reduce speed when turning, operating on slopes, slick or wet surfaces. Allow extra distance to stop.

Stay off of slopes too steep for safe operation. To check a slope, attempt to back up it (with the cutter deck down). If the machine can not back up the slope without the wheels slipping, do not operate the machine on this slope.

**ALWAYS** travel up or down the slope whenever possible. Never across the slope.

**DO NOT** mow near drop-offs, ditches or embankments. The machine could suddenly roll over if a wheel goes over the edge or if the edge caves in.

Operate the machine smoothly, no sudden turns, starts or stops on a slope.

**NEVER** tow on slopes. The weight of the towed equipment may cause loss of traction and loss of control.

**DO NOT** permit untrained personnel to operate the machine.



## Section 2

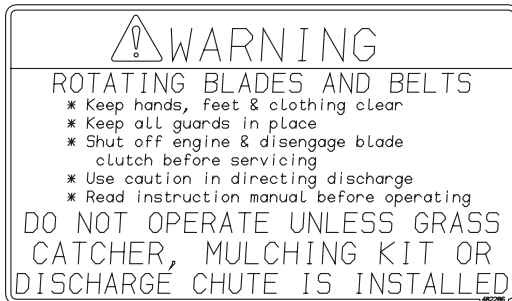
### 2.7 SAFETY AND INSTRUCTIONAL DECALS



483206



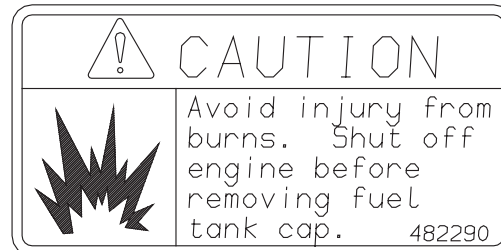
481039



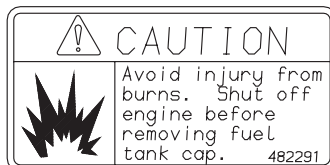
482286



481568

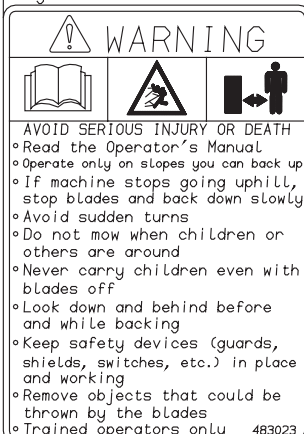


482290

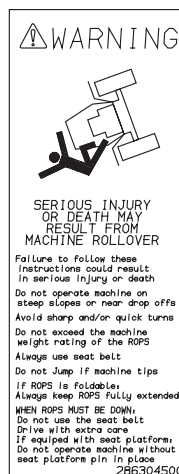


482291

- START/DRIVE PROCEDURE**
- Engage parking brake
  - Disengage mower deck drive
  - Move control handles to neutral lock position
  - Start engine
  - Release parking brake
  - Select forward or reverse with hydro control handles



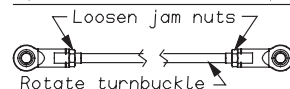
483023



**IMPORTANT ADJUSTMENT PROCEDURES**  
 READ OPERATOR'S MANUAL FOR MORE DETAILS

Check tire pressure - (Drive tires-12 psi)  
 - (Caster tires-25 psi)

**NEUTRAL ADJUSTMENT**



With an operator in the seat, engine running, control lever in neutral and the parking brake disengaged - adjust control linkage. Loosen jam nuts. If wheel rotates forward, adjust turnbuckle CW. If wheel rotates rearward, adjust turnbuckle CCW. Adjust until drive wheel stops turning. Tighten jam nuts. Repeat procedure until proper Neutral Adjustment is obtained.

**TRACKING ADJUSTMENT**

If the machine pulls to the right, adjust LH control linkage CW to slow left wheel. If the machine pulls to the left adjust RH control linkage CW to slow right wheel. Readjust neutral if necessary.

**FREE WHEEL OPERATION**

To move machine without running the engine, rotate both dump valves located at the LH side of the pumps CCW 1/2 turn to "freewheel" positions. Return dump valves to original position to operate the mower. Tighten to 7-10 ft-lbs.

**HYDRAULIC FLUID LEVEL**

Check hydraulic fluid level while fluid is cool. Fluid level should be 3" below top of filler neck. Fill with SAE 20W50 motor oil only.

**IMPORTANT**

Do not overfill. Room for hot fluid expansion must be allowed or resulting expansion may cause leaks in the system.

482709

482709

### SPECIFICATIONS

#### 3.1 ENGINE

General Type .....	Heavy Duty Industrial/Commercial Gasoline
Brand .....	Briggs & Stratton
Horsepower .....	24 HP (Spec. #) (Scag Model STC48V-24BS)
	Type 4 Cycle Gasoline, Twin Cylinder, Horizontal Shaft
Cylinders .....	2 with Cast Iron Sleeves
Governor .....	Mechanical Type with Variable Speed Control Set At 3600 RPM
Idle Speed .....	1750 RPM - Briggs & Stratton
Fuel Pump Group .....	Integral Fuel Pump with In-Line Fuel Filter
Fuel .....	Non-Leaded Gasoline with a Minimum Octane Rating of 87
Oil Pump Group .....	Positive Displacement Gerotor™ Oil Pump
Starter .....	Electric Starting with Solenoid Shift Starter
Belts: .....	Kevlar cord. Self-adjusting, Self-tightening
Pump Drive Belt .....	Scag Part Number - 483172

#### 3.2 ELECTRICAL

Battery .....	12 Volt
Charging System .....	Alternator
Charging Output .....	12 Volt, 16Amp
System Polarity .....	Negative Ground
Starter .....	12 Volt Electric Ring Gear Type, Key and Solenoid Operated Interlock
Switches .....	Seat, Neutral Control, Mower Engagement (BBC), Parking Brake
Instrument Panel .....	Key Switch, Throttle Lever, Manual Choke, PTO Switch, Fuses and Safety Start module
Fuses .....	Two (2) 20 Amp

#### 3.3 TRACTOR

Drive System .....	Hydraulic Drive with Two Variable Displacement Pumps and Two Cast-iron High Torque Motors
Hydrostatic Pumps .....	Two Hydro-Gear™ BDP 10A Pumps with Dump Valves for movement without running the engine
Drive Wheel Motors .....	Two Hydro-Gear™ Cast-Iron High Torque Motors
Steering/Travel Control .....	Twin Lever Fingertip Steering Control with Individual Control to Each Wheel with Gas Spring Dampers
Parking Brake .....	Lever Actuated Linkage to Brakes on Both Drive Wheel Axles
Wheels:	
(2) Front Caster .....	13 X 5-6 Four-Ply w/tapered roller bearing pivots
(2) Drive - (48"-52" Deck) .....	23 X 9.50 X 12 Four-Ply Pneumatic Tubeless, Radius Edge
Fuel Tanks .....	Dual 4.5-Gallon Seamless Polyethylene Tanks with large opening and Fuel Cap
Tire Pressure:	
Front Caster .....	25 PSI
Drive .....	12 PSI
Seat .....	Padded, Thick Cushion with Extra Spring Support

## Section 3

### 3.3 TRACTOR (CONT'D)

**-NOTE-**

Travel Speed:	
Forward .....	0-10 MPH
Reverse .....	0-5 MPH

*The machine will travel at 10 mph for transport purposes. For best cutting performance the forward travel speed should be adjusted depending upon the cutting conditions.*

### 3.4 CUTTER DECK

Type: .....	Floating, Adjustable, Anti-scalping, Hybrid Design Combines Out-front and Belly-mount Designs
Construction: .....	Tri-plate deck construction, top of deck consists of three steel plates totaling nearly 1/2" of steel.,7-gauge (3/16") deck skirt.
True Cutting Width: .....	48" (122.0 cm), 52" (132.0 cm)
Cutting Height Adjustment: .....	Foot Operated Lever Adjustment from Operator's Seat, 1.00" to 5.5" in 1/4" increments
Cutter Blades: .....	197 Thick, Milled Edge, Wear Resistant Marbain™
Blade Engagement: .....	Electric Blade Engagement Clutch with Control Panel Switch Connected to the Cutter Deck through a Belt.
Discharge Opening: .....	Extra Wide Discharge Opening with Spring Loaded Discharge Chute and Turbo Baffle
Spindles: .....	Heavy-duty 1-1/8" Top Dimension Spindle Shaft, Cast Housing, Taper Roller Bearing, Low Maintenance with Top Access Grease Fitting and Grease Overfill Relief Poppet
Spindle Pulleys: .....	Split Steel with Easily Removed Taper Hubs
Cutter Deck Belts: .....	B-section and Cogged Type with Kevlar Cord. Self-adjusting, Self-tightening
Electric Clutch Type .....	Ogura Heavy Duty PTO Clutch Brake

### 3.6 HYDRAULIC SYSTEM

Hydraulic Oil Filter .....	10 Micron Spin-on Element Type
Hydraulic Reservoir .....	Nylon; 2-1/2 Quart Capacity

### 3.7 PRODUCTIVITY

The following chart will aid you in determining how many acres your Scag mower will cut per day.

The chart is an estimate based on 8 hours per day cutting time at 6 MPH with a 20% allowance for overlap and turns.

<b>Cutting Width:</b>	48"
<b>Acres Per Day:</b>	18.6



### OPERATING INSTRUCTIONS

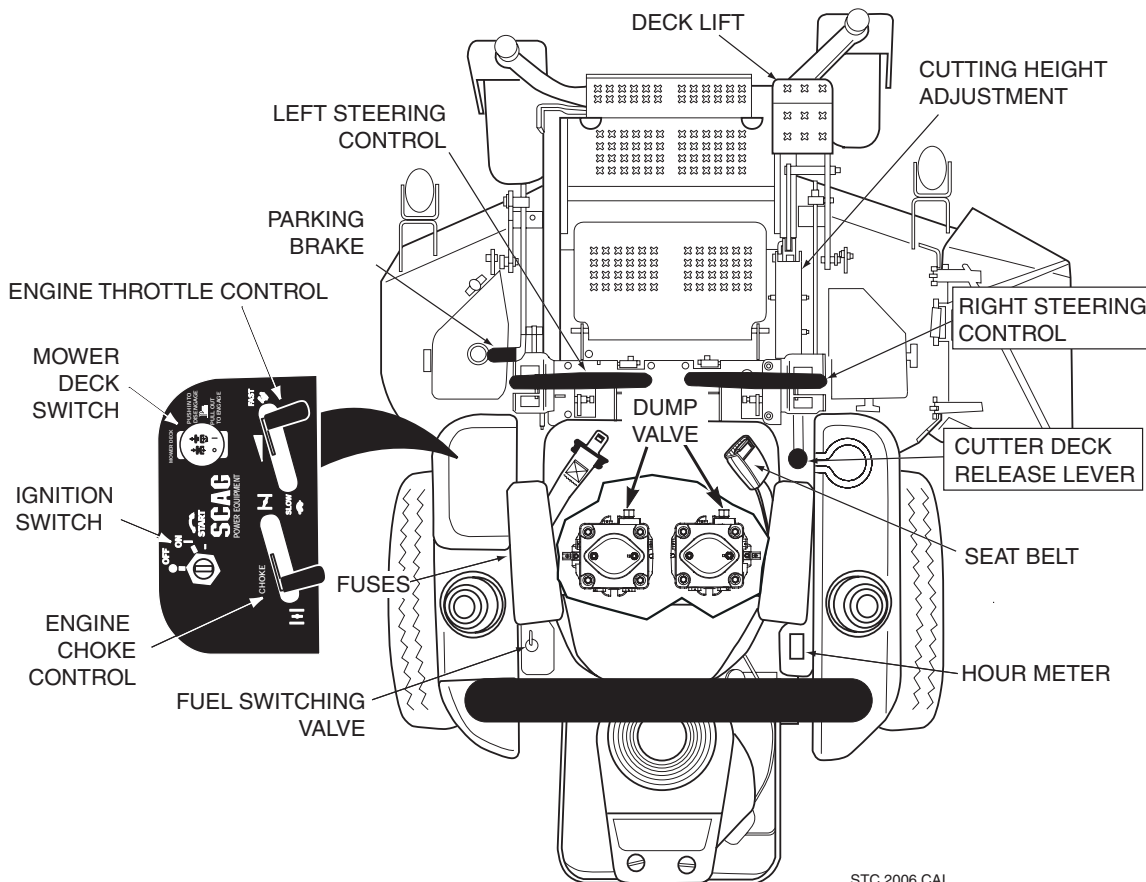
#### **CAUTION:**

Do not attempt to operate this mower unless you have read this manual. Learn the location and purpose of all controls and instruments before you operate this mower.

#### 4.1 CONTROLS AND INSTRUMENT IDENTIFICATION

Before operating the mower, familiarize yourself with all mower and engine controls. Knowing the location, function and operation of these controls is important for safe and efficient operation of the mower.

- 1. Ignition Switch (Figure 4-1).** Used to start the engine and has three positions; OFF, ON, and START.
- 2. Mower Deck Switch (Figure 4-1).** Used to engage and disengage the mower drive system. Pulling up on the switch will engage the deck drive. Pushing down on the switch will disengage the deck drive.
- 3. Engine Choke Control (Figure 4-1).** Used to start a cold engine.
- 4. Engine Throttle Control (Figure 4-1).** Used to control the engine speed. Pushing the lever forward increases engine speed. Pulling the lever back decreases engine speed. Full backward position is the IDLE position. Full forward is the cutting position.

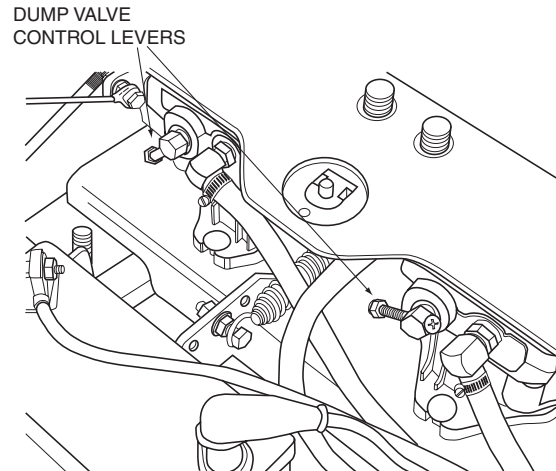


STC 2006 CAI

Figure 4-1 Controls and Instruments



5. **Hourmeter (Figure 4-1).** Indicates the number of hours the engine has been operated. It operates whenever the ignition key switch is in the ON position. Has preset maintenance reminders for engine and hydraulic system oil changes. Will start flashing scheduled maintenance 2 hours before preset time and continue flashing until 2 hours after. Automatically resets.
6. **Fuse Holders (Figure 4-1).** Two 20-amp fuses protect the mower's electrical system. To replace fuses, pull fuse out of the socket and install a new fuse.
7. **Left Steering Control (Figure 4-1).** Used to control the mower's left wheel when traveling forward or reverse.
8. **Right Steering Control (Figure 4-1).** Used to control the mower's right wheel when traveling forward or reverse.
9. **Parking Brake Control (Figure 4-1).** Used to engage and disengage the parking brakes. Pull the lever back to engage the parking brakes. Push the lever forward to disengage the parking brakes.
10. **Fuel Switching Valve (Figure 4-1).** Located on the left side of the machine. Used to shut off fuel supply to the engine and change fuel supply between the fuel tanks. Rotate the valve counter clockwise to supply fuel from the tank on the left side only. Rotate the valve clockwise to supply fuel from the tank on the right side only.
11. **Dump Valve Control Levers (Figure 4-2).** Located on the hydraulic pumps, used to "free-wheel" the mower. Rotating the levers clockwise until they stop allows the unit to move under hydraulic power. The levers must be in this position and torqued to 10ft/lbs during operation of the mower. Rotating the levers counter-clockwise, 1-2 turns, allows the mower to be moved by hand (free-wheeling).
12. **Deck Lift Foot Lever (Figure 4-1).** Used to raise and lower the cutter deck.



STC 2001 DVC

**Figure 4-2 Dump Valve Control**

13. **Cutting Height Adjustment (Figure 4-1).** Used to set the cutter deck at the desired cutting height.
14. **Cutter Deck Release Lever (Figure 4-1).** Used to lock the cutter deck in the transport position. Push the foot pedal forward and lift up on the release lever to release the cutter deck for normal mowing.
15. **Seat Belt (Figure 4-1).** Used to secure the operator. Seat belt must be worn at all times during operation.

## 4.2 SAFETY INTERLOCK SYSTEM

The mower is equipped with a safety interlock system that prevents the engine from starting unless the deck drive is disengaged, the parking brake is engaged, the steering control levers are in the neutral position and the operator is in the seat. The interlock system shuts off the engine if the operator leaves the seat with the steering control levers not in the neutral position and/or the cutter blades engaged and/or the parking brake not engaged.

### **WARNING:**

**Never operate the mower with the interlock system disconnected or malfunctioning. Do not disengage or bypass any switch; injury to yourself and others or property damage could result.**

### 4.3 INITIAL RUN-IN PROCEDURES (First Day of Use or Approximately 10 Hours)

1. Check all belts for proper alignment and wear at 2, 4 and 8 hours.
2. Change the engine oil and oil filter after the first 20 hours of operation. (See Section 7.4.)
3. Check hydraulic oil level in reservoir. (See Section 7.3)
4. Check for loose hardware. Tighten as needed.
5. Check interlock system for proper operation. (See Section 4.2)
6. Check tire pressure. Adjust pressure if necessary. (See Section 7.10)

### 4.4 STARTING THE ENGINE

#### **CAUTION:**

**DO NOT USE STARTING FLUIDS.** Use of starting fluids in the air intake system may be potentially explosive or cause a “runaway” engine condition that could result in engine damage and/or personal injury.

1. Be sure the fuel shutoff valve, located behind the operator's seat by the left fuel tank, is completely open. (See Section 7.5)
2. Sit in the operator's seat, fasten seat belt and place the steering control levers in the neutral position.
3. Engage the parking brake.
4. If the engine is cold, choke the engine as needed.
5. Move the engine throttle control to about half engine speed.

6. Turn the ignition key to the START position and release the key as soon as the engine starts. Do not hold the key in the START position for more than 15 seconds at a time. Allow at least 60 seconds between each cranking attempt to prevent overheating of the starter motor. Prolonged cranking can damage the starter motor and shorten battery life.
7. Allow engine to warm before operating the mower.

### 4.5 GROUND TRAVEL AND STEERING

#### **-IMPORTANT-**

*If you are not familiar with the operation of a machine with lever steering and/or hydrostatic transmissions, the steering and ground speed operations should be learned and practiced in an open area, away from buildings, fences, or obstructions. Practice until you are comfortable with the handling of the machine before attempting to mow. Learn the operation on flat ground before operating on slopes.*

#### **-IMPORTANT-**

*Start practicing with a slow engine speed and slow forward travel. Learn to feather the steering controls to obtain a smooth operating action.*

#### **Forward Travel**

To travel forward with the mower, disengage the parking brake, pull levers inward out of the neutral lock position and slowly push the steering control levers forward an equal distance. The further the steering control levers are pushed forward the greater the forward speed will be. To increase the speed, push the steering control levers further forward and to decrease the speed, pull the steering control levers back.

To stop the forward travel, pull the steering control levers back to the neutral position.

To steer the mower left while traveling forward, pull the left steering lever back. The further the lever is pulled back, the quicker the mower will turn left.

To steer the mower right while traveling forward, pull the right steering control lever back. The further the lever is pulled back, the quicker the mower will turn right.

**-NOTE-**

*Smooth operation of the steering levers will produce smooth mower operation. While learning the operation of the steering controls, keep the travel speed low.*

**-IMPORTANT-**

*Do not travel forward over a curb. The mower may hang up on the curb. Raise the deck and travel backwards over the curb at a 45 degree angle. (see section 4.1, item 12 for cutter deck raising instructions)*

**Reverse Travel**

**CAUTION:**  
 Disengage power to the mower before backing up. Do not mow in reverse unless absolutely necessary and then only after observation of the entire area behind the mower.

**CAUTION:**  
 Before backing up, observe the rear for persons and obstructions. Clear the area before backing up. Possible injury or property damage could occur.

To travel in reverse, pull levers inward out of the neutral lock position and pull both handles back. Keep the travel speed low while traveling in reverse.

**-NOTE-**

*The mower may not travel straight in reverse. Slight adjustments must be made using the steering controls.*

To steer left while traveling in reverse, allow the left steering control lever to move forward. The further the control is allowed to move forward, the quicker the mower will turn left.

To steer right while traveling in reverse, allow the right steering control lever to move forward. The further the control is allowed to move forward, the quicker the mower will turn right.

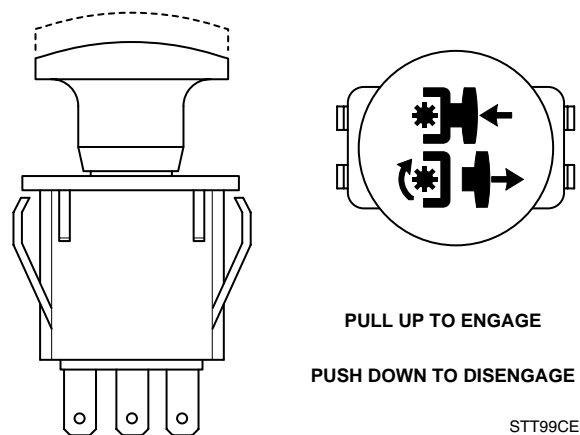
To stop the reverse travel, allow the steering control levers to return to the neutral position. If the mower is to be parked, place the handles in the neutral lock position and engage the parking brake.

**4.6 ENGAGING THE DECK DRIVE (CUTTER BLADES)**

1. Set the throttle at about 3/4 speed. Do not attempt to engage the deck drive at high speed as this shortens the electric clutch life — use only moderate engine speed when engaging the deck drive.
2. Engage the deck drive by pulling out on the yellow switch, located on the instrument panel, (Figure 4-3) to the engage position.

**-NOTE-**

*A squealing noise may be heard when engaging or disengaging the deck drive. It is caused by the electric clutch plates meshing as the mower comes up to speed. This is normal.*



**Figure 4-3 Cutter Engage Switch**

3. To disengage the deck drive, push the switch in to the disengage position.
4. Always operate the engine at full throttle to properly maintain cutting speed. If the engine starts to lug down, reduce the forward speed and allow the engine to operate at maximum RPM.

### 4.7 HILLSIDE OPERATION

#### **WARNING:**

**DO NOT operate on steep slopes. To check a slope, attempt to back up it (with the cutter deck down). If the machine can back up the slope without the wheels slipping, reduce speed and use extreme caution. ALWAYS FOLLOW OSHA APPROVED OPERATION.**

1. This mower has been designed for good traction and stability under normal mowing conditions. However, caution must be used when traveling on slopes, especially when the grass is wet. Wet grass reduces traction and steering control. The Roll-Over Protection System is standard equipment for this machine. See Section 2.5, page 6 of this manual for further details.
2. To prevent tipping or loss of control, do not start or stop suddenly, avoid unnecessary turns and travel at reduced speed. If tires lose traction, disengage blades and proceed slowly off the slope.
3. Avoid sudden starts when mowing uphill. Sudden starts may cause the machine to tip backwards.
4. Loss of traction may occur when traveling down hill. Weight transfers to the front of the machine and may cause the drive wheels to slip causing loss of braking or steering.
5. Keep tires properly inflated.

### 4.8 PARKING THE MOWER

1. Park the machine on a flat, level surface only. Do not park the machine on an incline.
2. Place the steering control levers in the neutral position.
3. Disengage the cutter blades.
4. Slow the engine to idle speed.
5. Engage the parking brake.
6. Turn the ignition key to the OFF position and remove the key.

### 4.9 AFTER OPERATION

1. Wash the entire mower after each use. Do not use high pressure spray or direct the spray onto electrical components.

#### ***-IMPORTANT-***

*Do not wash a hot or running engine. Cold water will damage the engine. Use compressed air to clean the engine if it is hot.*

2. Keep the entire mower clean to inhibit serious heat damage to the engine or hydraulic oil circuit.
3. Check the drive belts for proper alignment and any signs of wear. Correct and adjust if necessary.

#### **DANGER:**

**To avoid injury from burns, allow the mower to cool before removing the fuel tank cap and refueling.**

4. After the mower has cooled down, fill the fuel tanks with fresh, clean fuel at the end of every day of operation. See Engine Owner's Manual for proper octane requirements.
5. Check the tire pressure. Adjust pressure if necessary.

#### 4.10 REMOVING CLOGGED MATERIAL



### **DANGER: ROTATING BLADES**

**NEVER PUT YOUR HANDS INTO THE DISCHARGE CHUTE FOR ANY REASON! Shut off the engine and remove the key and only then use a stick or similar object to remove material if clogging has occurred.**

1. If the discharge chute becomes clogged, shut off the engine and remove the ignition key. Using a stick or similar item, dislodge the clogged material. Then resume normal mowing.

#### 4.11 MOVING MOWER WITH ENGINE STOPPED

To “free-wheel” or move the mower around without the engine running, place the dump valve levers in the FREE-WHEEL position (Figure 4-2, page 13). Disengage the parking brake and move the mower by hand. The dump valve levers must be returned to the DRIVE position and torqued to 7-10 ft/lbs to drive the mower.

#### 4.12 RECOMMENDATIONS FOR MOWING

1. Do not mow with dull blades. A dull blade will tear grass, resulting in poor lawn appearance and require extra power.
2. The discharge chute must not be removed and must be kept in the lowest position to deflect grass clippings and thrown objects downward. Direct the side discharge away from sidewalks or streets to minimize cleanup of clippings. When mowing close to obstacles, direct the discharge away from the obstacles to reduce the chance of property damage by thrown objects.



### **WARNING**

**DO NOT OPERATE WITHOUT DISCHARGE CHUTE, MULCHING KIT, OR ENTIRE GRASS CATCHER INSTALLED**

3. Cut grass when it is dry and not too tall. Do not cut grass too short (cut off 1/3 or less of existing grass for best appearance). Mow frequently.

4. Keep mower and discharge chute clean.
5. When mowing wet or tall grass, mow the grass twice. Raise the mower to the highest setting for the first pass and then make a second pass to the desired height.
6. Use a slow travel speed for trimming purposes.
7. Operate the engine at full throttle for best cutting. Mowing with a lower RPM causes the mower to tear the grass. The engine is designed to be operated at full speed.
8. Use the alternate stripe pattern for best lawn appearance. Vary the direction of the stripe each time the grass is mowed to avoid wear patterns in the grass.

#### 4.13 ADJUSTING CUTTING HEIGHT

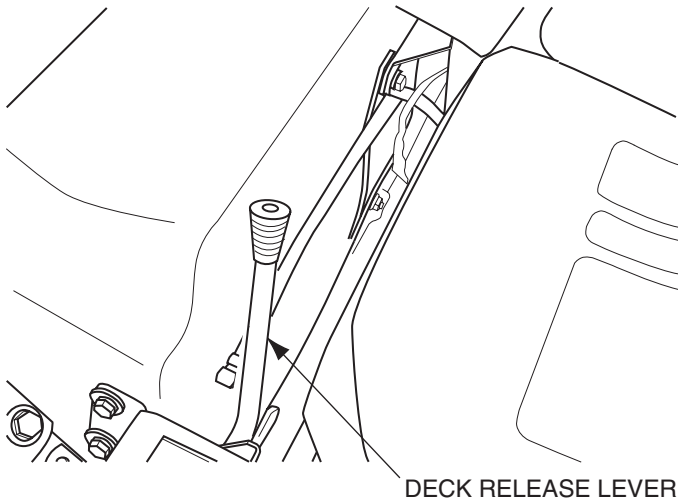
The mower deck can be adjusted from a height of 1-1/2 inch to 5-1/2 inches at 1/4-inch intervals. To adjust the cutting height:



### **WARNING:**

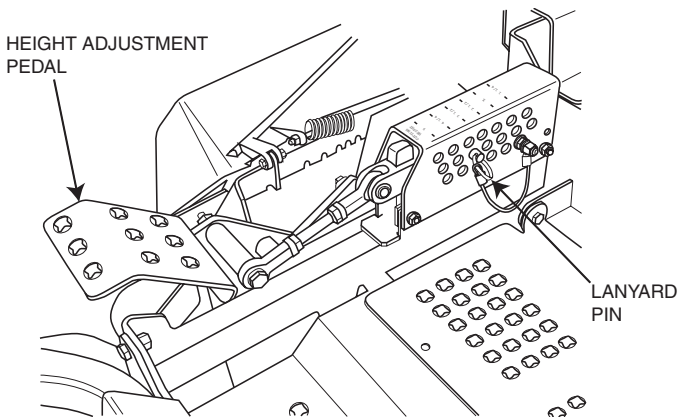
**DO NOT adjust the cutting height with the mower blades rotating. Disengage the power to the cutter blades and then adjust cutting height.**

1. Disengage the power to the cutter blades.
2. Push the cutting height adjustment foot pedal all the way forward using your right foot until it locks in place. (Figure 4-5, page 18)
3. Insert the lanyard pin into the cutting height index at the desired cutting height. Push forward on the deck lift foot lever, hold in place and pull back on the deck release lever, (Figure 4-4). Slowly release the foot pedal. A deck height decal is located on the cutting height index as an aid in adjusting the deck to the desired height. (Figure 4-5)



STC 2006 DRL

**Figure 4-4 Deck Release Lever**



STC 2006 ACH

**Figure 4-5 Adjusting Cutting Height**

### 4.14 TOWING (optional hitch accessory)

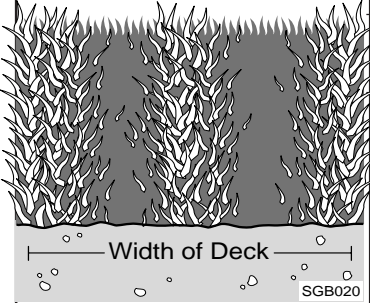
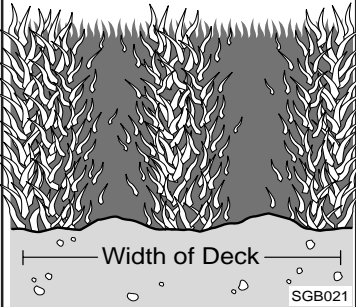
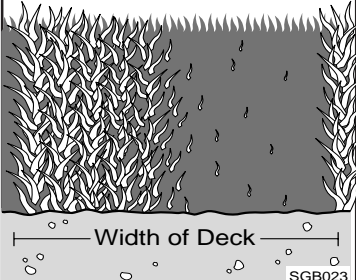
1. **Never** allow children or others in or on towed equipment.
2. Tow only with a machine that has a hitch designed for towing. Do not attach towed equipment except at the hitch point.
3. Follow manufacturer's recommendations for weight limit for towed equipment. 250lbs. maximum towing weight.
4. **Never tow on slopes.** The weight of the towed equipment may cause loss of traction and loss of control.
5. Travel slowly and allow extra distance to stop.
6. Zero turning with a trailer attached, could cause damage to the trailer or mower.



## TROUBLESHOOTING CUTTING CONDITIONS

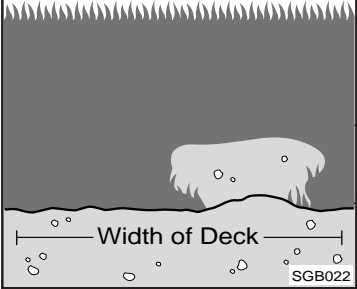
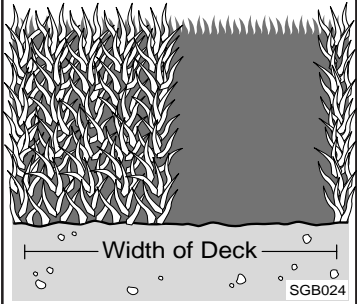
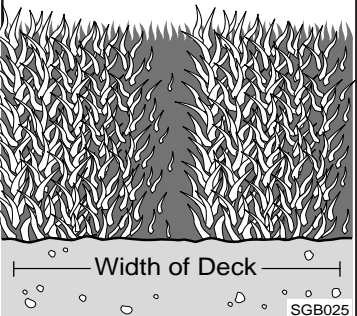
CONDITION	CAUSE	CURE
<p><b>Stringers - Occasional Blades of Uncut Grass</b></p> <p style="text-align: right; font-size: small;">SGB020</p>	Low engine RPM	Run engine at full RPM
	Ground speed too fast	Slow speed to adjust for conditions
	Wet grass	Cut grass after it has dried out
	Dull blades, incorrect sharpening	Sharpen blades
	Deck plugged, grass accumulation	Clean underside of deck
	Belts slipping	Adjust belt tension
<p><b>Streaking - Strips of Uncut Grass in Cutting Path</b></p> <p style="text-align: right; font-size: small;">SGB018</p>	Dull, worn blades	Sharpen blades
	Incorrect blade sharpening	Sharpen blades
	Low engine RPM	Run engine at full RPM
	Belt slipping	Adjust belt tension
	Deck plugged, grass accumulation	Clean underside of deck
	Ground speed too fast	Slow speed to adjust for conditions
	Wet grass	Cut grass after it has dried out
	Bent blades	Replace blades
<p><b>Streaking - Strips of Uncut Grass Between Cutting Paths</b></p> <p style="text-align: center; font-size: small;">SGB019</p>	Not enough overlapping between rows	Increase the overlap of each pass

### TROUBLESHOOTING (CONT'D)

CONDITION	CAUSE	CURE
<p><b>Uneven Cut on Flat Ground - Wavy High-Low Appearance, Scalloped Cut, or Rough Contour</b></p>  <p>Width of Deck SGB020</p>	Lift worn from blade	Replace blade
	Blade upside down	Mount with cutting edge toward ground
	Deck plugged, grass accumulation	Clean underside of deck
	Too much blade angle (deck pitch)	Adjust pitch and level
	Deck mounted improperly	See your authorized SCAG dealer
	Bent spindle area	See your authorized SCAG dealer
	Dull blade	Sharpen blade
<p><b>Uneven Cut on Uneven Ground - Wavy Appearance, High-Low Scalloped Cut, or Rough Contour</b></p>  <p>Width of Deck SGB021</p>	Uneven ground	May need to reduce ground speed, raise cutting height, and/or change direction of cut
<p><b>Sloping Ridge Across Width of Cutting Path</b></p>  <p>Width of Deck SGB023</p>	Tire pressures not equal	Check and adjust tire pressure
	Wheels uneven	Check and adjust tire pressure
	Deck mounted incorrectly	See your authorized SCAG dealer
	Deck not level side-to-side	Check for level and correct



**TROUBLESHOOTING (CONT'D)**

CONDITION	CAUSE	CURE
<p><b>Scalping - Blades Hitting Dirt or Cutting Very Close to the Ground</b></p>  <p style="text-align: right; font-size: small;">SGB022</p>	Low tire pressures	Check and adjust pressures
	Ground speed too fast	Slow speed to adjust for conditions
	Cutting too low	May need to reduce ground speed, raise cutting height, change direction of cut, and/or change pitch and level
	Rough terrain	May need to reduce ground speed, raise cutting height, and/or change direction of cut
	Ground speed too fast	Slow speed to adjust for conditions
<p><b>Step Cut - Ridge in Center of Cutting path</b></p>  <p style="text-align: right; font-size: small;">SGB024</p>	Blades not mounted evenly	Adjust pitch and level
	Bent blade	Replace blade
	Internal spindle failure	See your authorized SCAG dealer
	Mounting of spindle incorrect	See your authorized SCAG dealer
<p><b>Slope Cut - Sloping Ridges Across Width of Cutting Path</b></p>  <p style="text-align: right; font-size: small;">SGB025</p>	Bent spindle mounting area	See your authorized SCAG dealer
	Internal spindle failure	See your authorized SCAG dealer
	Bent deck housing	See your authorized SCAG dealer

### ADJUSTMENTS

#### 6.1 PARKING BRAKE ADJUSTMENT

### **WARNING:**

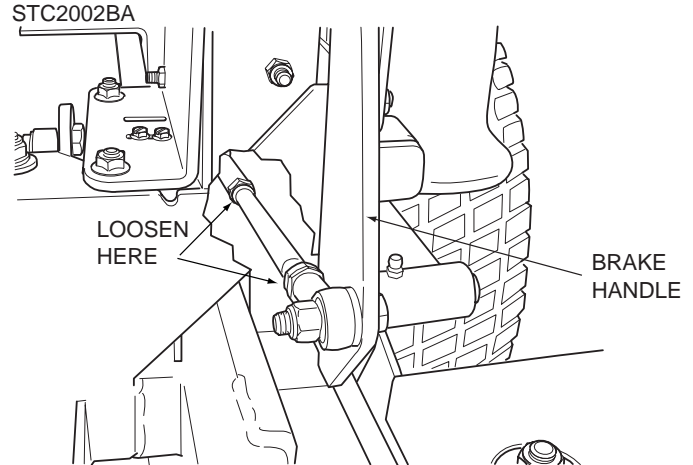
**DO NOT** operate the mower if the parking brake is not operable. Possible severe injury could result.

The parking brake linkage should be adjusted whenever the parking brake lever is placed in the “ENGAGE” position and the parking brake will not prevent the mower from moving. If the following procedures do not allow you to engage the parking brake properly, contact your Scag dealer for further brake adjustments.

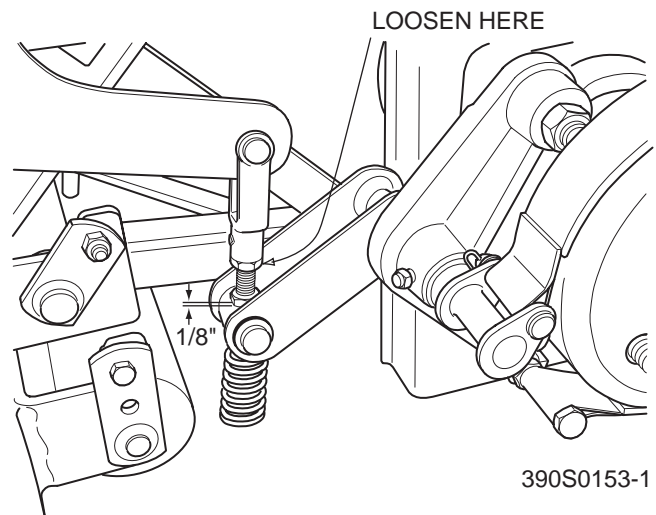
1. Position a floor jack under the rear of the machine. Raise the machine and support it to prevent it from falling. Block the caster wheels to prevent the machine from moving. Remove the drive wheels.
2. With the brake in the engaged position, check the distance between the lower nut on the brake actuator rod and the brake actuator lever on the LH side of the machine. The distance should be 1/8" (See Figure 6-2).
3. If the distance is not at the specified measurement, loosen the jam nut at the clevis on the top of the brake actuator rod (See Figure 6-2).
4. Turn the bolt at the bottom of the brake actuator lever until the 1/8" measurement is achieved and tighten the jam nut at the clevis on the brake actuator rod. (See Figure 6-2). If the 1/8" measurement can not be achieved by adjusting the brake actuator rod, adjust the brake control rod. Adjust by loosening the jam nuts at both ends of the brake control rod and turning the rod until the proper distance is achieved. (See Figure 6-1)
5. Repeat steps 2-4 on the RH side of the machine.
6. Replace the drive wheels and test the brake.

**-NOTE-**

*If this procedure does not achieve proper brake adjustment, please contact your authorized Scag dealer.*



**Figure 6-1. Brake Adjustment**



**Figure 6-2. Brake Rod Adjustment**

390S0153-1

## Section 6

### 6.2 TRAVEL ADJUSTMENTS

Neutral or tracking adjustments will need to be made if:

- A. The steering control levers are in the neutral position and the machine creeps forward or backward. (See Neutral Adjustment).
- B. The steering control levers are in the full forward position and the mower pulls to one side or the other when traveling in a forward direction. (Tracking Adjustment, See Page 24).

#### Neutral Adjustment

1. Be sure the dump valve levers are in the run position and the steering control levers are in the neutral lock position.
2. With an operator in the seat, start the engine and disengage the parking brake.
3. Run the engine at full operating speed and check if the machine creeps forward or backwards.
4. Adjust the RH wheel by loosening the jam nuts on the steering control rod and turning the rod until the drive wheel turns in the forward direction. Turn the rod back until the drive wheel stops moving. Turn the rod back an additional 1/2 turn. (See Figure 6-3).
5. Tighten the jam nuts and repeat for the LH wheel.
6. Actuate the steering control levers forward and reverse several times and return them to the neutral position.
7. Check that the drive wheels remained in neutral and readjust if necessary.
8. Check that the steering control levers hit the stop before the pumps reach full stroke. Adjust as needed.

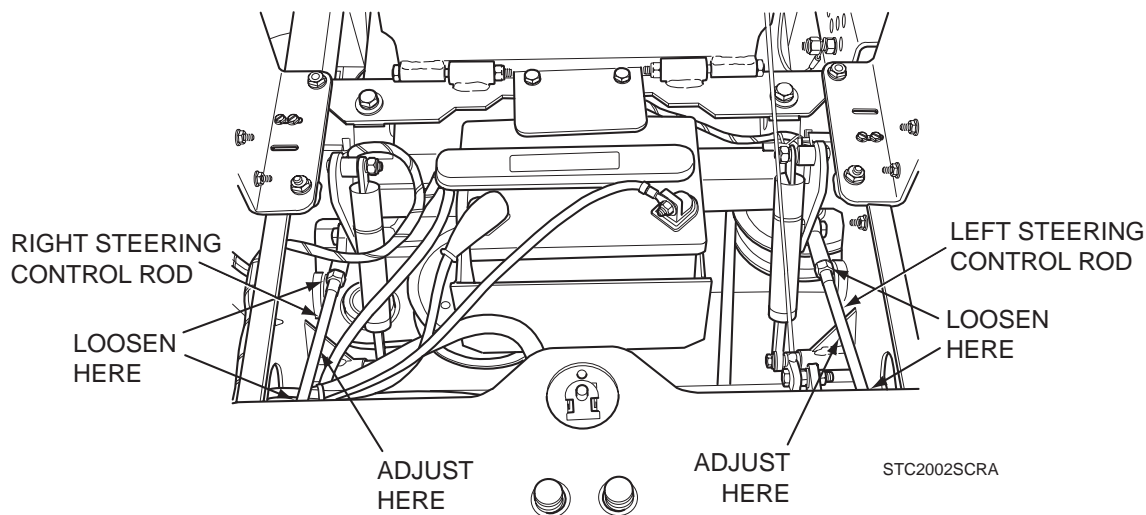


Figure 6-3. Steering Control Rods Adjustment

### Tracking Adjustment



#### **CAUTION:**

Stop the engine and remove the key from the ignition before making any adjustments. Wait for all moving parts to come to a complete stop before beginning work.



#### **CAUTION:**

The engine and drive unit can get hot during operation causing burn injuries. Allow engine and drive components to cool before making any adjustments.

#### **-NOTE-**

*Before proceeding with this adjustment, be sure that the caster wheels turn freely and that the tire pressure in the drive wheels is correct. If the tire pressure is not correct, the machine will pull to the side with the lower pressure.*

1. If at full speed the mower pulls right, it is an indication that the left wheel is turning faster than the right wheel. To adjust this condition, proceed as follows:
  - A. Stop the machine and place the steering control levers in the neutral position. Loosen the lock nuts securing the ball joints at each end of the LH steering control rod. Rotate the control rod to shorten the rod and tighten the lock nuts. This will cause the control rod to stroke the LH pump less, slowing down the LH wheel. (See Figure 6-3).

#### **-NOTE-**

*If after making the adjustment as outlined in step 1A, the machine creeps forward or backward, the neutral adjustment must be made as described on page 23.*

2. If at full speed the mower pulls left, it is an indication that the right wheel is turning faster than the left wheel. To adjust this condition, proceed as follows:

- A. Stop the machine and place the steering control levers in the neutral position. Loosen the lock nuts securing the ball joints at each end of the RH steering control rod. Rotate the control rod to shorten the rod and tighten the lock nuts. This will cause the control rod to stroke the RH pump less, slowing down the RH wheel. (See Figure 6-3).

#### **-NOTE-**

*If after making the adjustment as outlined in step 2A, the machine creeps forward or backward, the neutral adjustment must be made as described on page 23.*

### 6.3 THROTTLE CONTROL AND CHOKE ADJUSTMENTS

These adjustments must be performed by your Scag dealer to ensure proper and efficient running of the engine. Should either need adjustment, contact your authorized Scag service center.

### 6.4 BELT ADJUSTMENT



#### **WARNING:**

**Before removing any guards, shut the engine off and remove the ignition key.**

All drive belts and cutter deck belts are spring-loaded and self-tensioning. The belts should be checked periodically for proper alignment and wear.

### 6.5 BELT ALIGNMENT

Belt alignment is important for proper performance of your Scag mower. If you experience frequent belt wear or breakage, see your authorized Scag service center for belt adjustment.



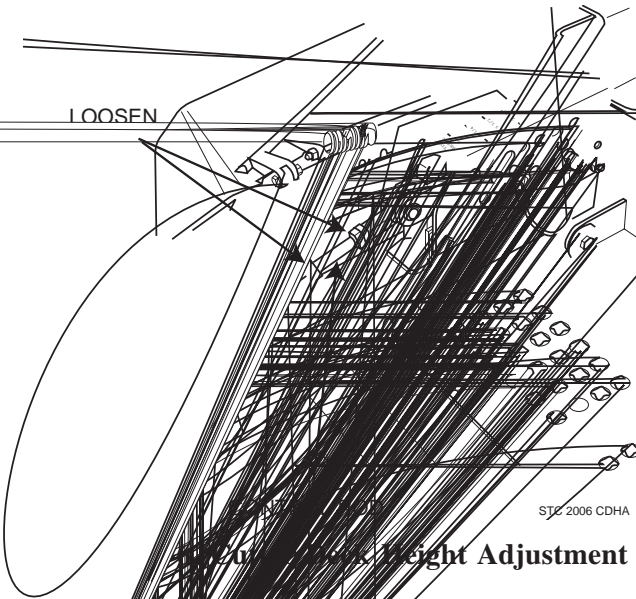
**-NOTE-**

To prevent the cutter deck from teetering, all four cutter deck hanging chains must have tension on them. If all four chains do not have tension on them and the deck teeters, you must readjust the cutter deck as outlined in the procedures above. All measurements should be taken from the top edge of the deck as the Velocity Plus decks have an uneven bottom edge.

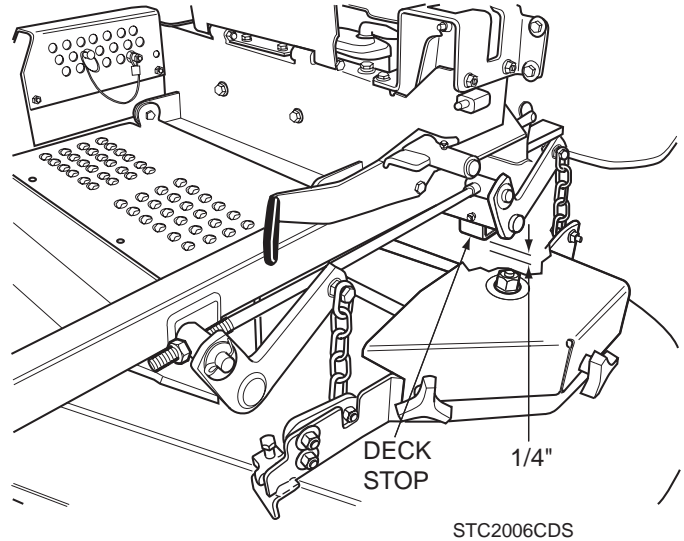
### Cutter Deck Height

The cutter deck height adjustment is made to ensure that the cutter deck is cutting at the height indicated on the cutting height index gauge. To check for proper deck height, be sure that the mower is on a flat, level surface and the tires are properly inflated.

1. Place the cutter deck in the transport position. Loosen the jam nuts on both ends of the deck height control rod. (See Figure 6-6).



Loosen the jam nuts (See Figure 6-6) until there is a gap between the rear deck stop and the top of the deck. (See Figure 6-7). Tighten the jam nuts on the control rod.



**Figure 6-7. Cutter Deck Stop**

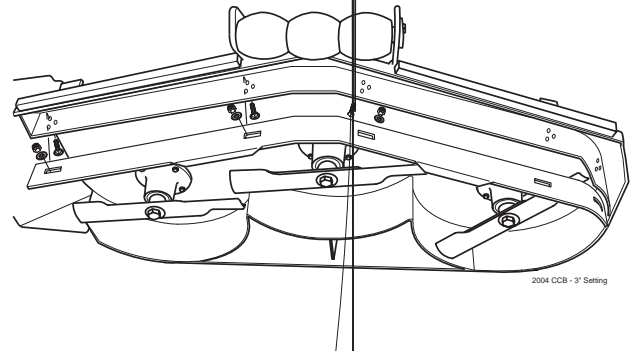
3. Check the cutter deck cutting height by placing the lanyard pin in the 3" position on the cutting height index. Release the deck from the transport position and allow the deck to move to the 3" cutting height position.
4. Check the measurement from the floor to the cutter blade tip. If the measurement is not at 3", an adjustment can be made using the deck height control rod. (See Figure 6-6).

**-NOTE-**

If an adjustment had to be made, be sure that the cutter deck can easily be locked into the transport position.

### Custom-Cut Baffle Adjustment

The Custom-Cut Baffle is designed to deliver optimum airflow and superior cutting performance in any type of grass. The Custom-Cut Baffle can be raised or lowered to precisely tailor the deck's performance for the type of grass being cut. The baffle can be set in three (3) different positions for optimum performance.





### MAINTENANCE

#### 7.1 MAINTENANCE CHART - RECOMMENDED SERVICE INTERVALS

Break-In (First 10)	HOURS						Procedure	Comments
	8	20	40	100	200	500		
X							Check all hardware for tightness	
X							Check hydraulic oil level	See paragraph 7.3
X							Check all belts for proper alignment	See paragraph 7.8
X							Check hydraulic hoses for leaks	Use extreme caution when checking the hydraulic hoses See paragraph 26
	X						Check seat belts for damage	See paragraph 2.5
	X						Check engine oil level	See paragraph 7.4
	X						*Clean mower	See paragraph 7.11
	X						Check condition of blades	See paragraph 7.9
	X						Apply grease to fittings	See paragraph 7.2
	X						Check tire pressure	See paragraph 7.10
		X					Change engine oil and filter	See paragraph 7.4
			X				Check battery electrolyte level, clean battery posts and cables	See paragraph 7.7
			X				Check belts for proper alignment	See paragraph 7.8
				X			Apply grease to fittings	See paragraph 7.2
				X			Change engine oil	See paragraph 7.4
				X			*Clean air cleaner element	See paragraph 7.6

\* Perform these maintenance procedures more frequently under extreme dusty or dirty conditions.



## Section 7

### MAINTENANCE CHART - RECOMMENDED SERVICE INTERVALS (CONT'D)

Break-In (First 10)	HOURS					Procedure	Comments
	8	40	100	200	500		
				X		Apply grease to fittings	See paragraph 7.2
				X		Check hardware for tightness	
				X		Change engine oil filter	See paragraph 7.4
				X		Check hydraulic oil level	See paragraph 7.3
					X	Replace engine fuel filter	See paragraph 7.5
					X	Drain hydraulic system and replace hydraulic oil	See paragraph 7.3 Use SAE 20W50 Motor Oil
					X	Replace hydraulic oil filter	See paragraph 7.3
					X	Adjust electric PTO clutch	See Scag Dealer

### 7.2 LUBRICATION - GREASE FITTING LUBRICATION CHART (SEE FIGURE 7-1)

LOCATION	LUBRICATION INTERVAL	LUBRICANT	NO. OF PLACES
1 Caster Wheel Pivot *	500 Hours/Yearly	Chassis Grease	2
2 Caster Wheel Bearings	100 Hours/Bi-Weekly	Chassis Grease	2
3 Brake Actuator	200 Hours/Monthly	Chassis Grease	2
4 Cutter Deck Bellcranks	100 Hours/Bi-Weekly	Chassis Grease	4
5 Cutter Deck Pusharms	100 Hours/Bi-Weekly	Chassis Grease	2
6 Control Pivot	100 Hours/Bi-Weekly	Chassis Grease	2
7 Cutter Deck Spindle	40 Hours/Weekly	+Lithium MP White Grease 2125	3
8 Brake Handle	200 Hours/Monthly	Chassis Grease	1

\* **PROCEDURE:** Remove grease cap, part number 481559. Remove plug, part number 482028-01, and install grease zerk. Apply grease to the fitting until new grease appears at the top of the caster extension. Remove the grease zerk and reinstall the plug. Reinstall the grease cap. Special tool, part number 47007, is recommended for use in the installation of the grease cap.

+ Compatible Greases: Mobilix #2 found at Mobil Service Stations  
 Ronex MP found at Exxon Service Stations  
 Super Lube MEP #2 & Super Stay-M #2 found at Conoco Stations  
 Shell Alvania #2 found at Shell Service Stations  
 Lidok EP #2 found at industrial shops

### GREASE FITTING LUBRICATION Lubricant Interval

□ Lithium MP White Grease 2125  
(40 Hours/Weekly)

○ Chassis Grease  
(100 Hours/Bi-monthly)

⬡ Chassis Grease  
(200 Hours/Monthly)

△ Chassis Grease  
(500 Hours/Yearly)

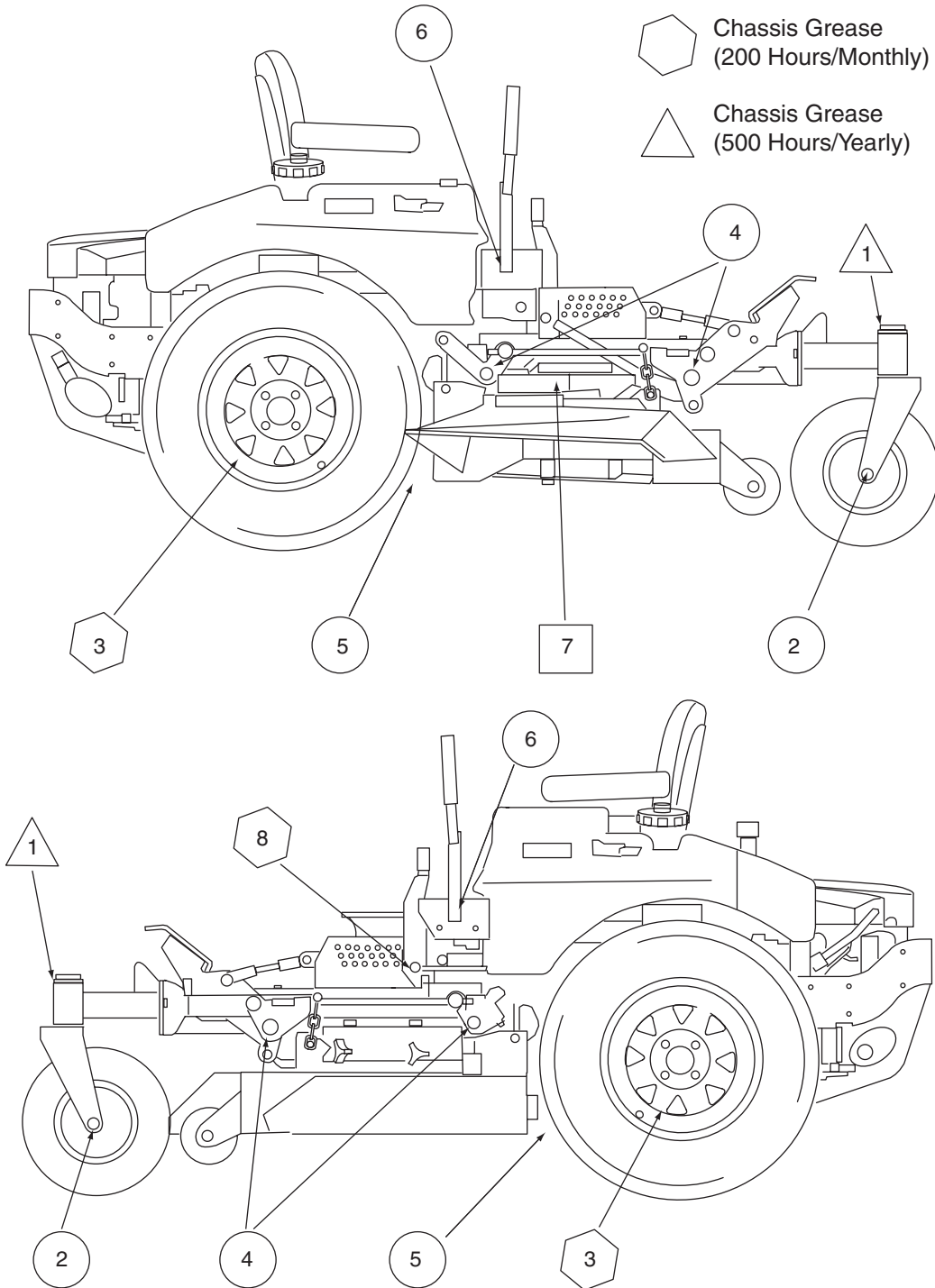


Figure 7.1 Lubrication Fitting Points

## Section 7

### 7.3 HYDRAULIC SYSTEM

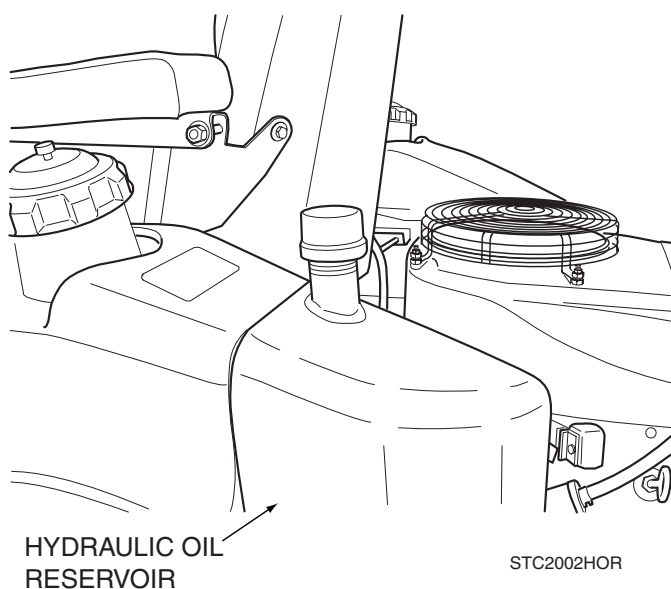
#### A. Checking Hydraulic Oil Level

The hydraulic oil level should be checked after the first 10 hours of operation. Thereafter, check the oil after every 200 hours of machine operation or monthly, whichever occurs first.

**-IMPORTANT-**

*If the oil level is consistently low, check for leaks and correct immediately.*

1. Wipe dirt and contaminants from around the reservoir cap. Remove the cap from the hydraulic oil reservoir.
2. Visually check the level of hydraulic oil. Hydraulic oil must be at least 3" inches from top of the filler neck. If the level cannot be determined visually, use a clean tape measure to check the level. If the fluid is low, add 20W50 motor oil. **DO NOT** overfill; (overfilling the oil reservoir may cause oil seepage).
3. Clean the fill cap and install it onto the reservoir.



**Figure 7-2 Hydraulic Oil Reservoir**

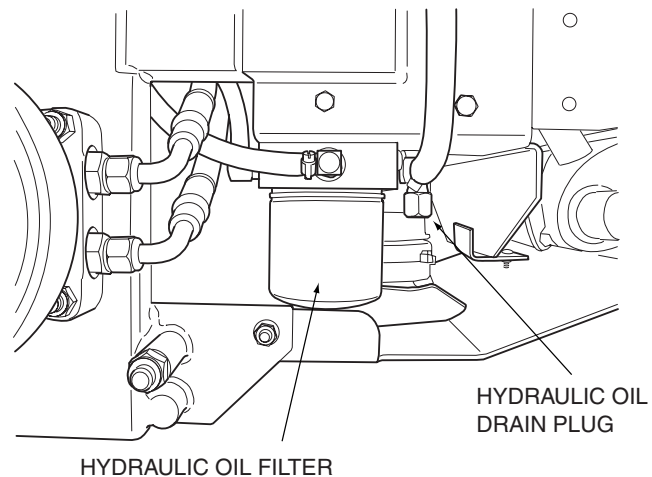
#### B. Changing Hydraulic Oil

The hydraulic oil should be changed after every 500 hours or annually, whichever occurs first. The oil should also be changed if the color of the fluid has become black or milky. A black color and/or a rancid odor usually indicates possible overheating of the oil, and a milky color usually indicates water in the hydraulic oil.

**-IMPORTANT-**

*The hydraulic oil should be changed if you notice the presence of water or a rancid odor to the hydraulic oil.*

1. Park the mower on a level surface and stop the engine.
2. Place a suitable container under the hydraulic oil filter. Tilt the seat forward. Remove the fill cap from the reservoir and the drain plug from the bottom of the drain tee fitting on the front side of the filter base. (See Figure 7-3). Allow the fluid to drain into the container and properly discard it.



**Figure 7-3 Hydraulic Oil Filter and Drain Plug**

3. Re-install the drain plug into the tee fitting and be sure it is tight.

**-NOTE-**

*Before refilling the hydraulic oil reservoir the hydraulic oil filter should be changed as outlined in section C -Changing Hydraulic Oil Filter Element- on the next page.*

4. Fill the reservoir to 3-1/4" inches from the top of the filler neck with SAE 20W50 motor oil.
5. Replace the reservoir fill cap. Start the engine and drive forward and backward for two minutes. Check the oil level in the reservoir. If necessary, add oil to the reservoir.

### C. Changing Hydraulic Oil Filter Element

The hydraulic oil filter should be changed after every 500 hours of operation or annually, whichever occurs first.

1. Remove the oil filter element (Figure 7-3, Page 31) and properly discard it. Fill the new filter with clean SAE 20W50 engine oil and install the filter. Hand tighten only.
2. Run the engine at idle speed with the speed control lever in neutral for five minutes.
3. Check the oil level in the hydraulic tank. It must be 3-1/4" inches from the top of the filler neck. If necessary, add SAE 20W50 motor oil.

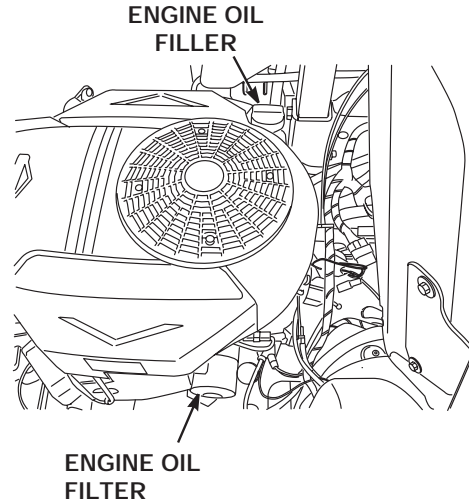
## 7.4 ENGINE OIL

### A. Checking Engine Crankcase Oil Level

The engine oil level should be checked after every 8 hours of operation or daily as instructed in the Engine Operator's Manual furnished with this mower.

### B. Changing Engine Crankcase Oil

After the first 20 hours of operation, change the engine crankcase oil and replace the oil filter. Thereafter, change the engine crankcase oil after every 100 hours of operation or bi-weekly, whichever occurs first. Refer to the Engine Operator's Manual furnished with this mower for instructions.



**Figure 7-5 Briggs & Stratton Engine Oil Fill/ Dipstick, Filter**

### C. Changing Engine Oil Filter

After the first 5 hours of operation, replace the engine oil filter. Thereafter, replace the oil filter after every 200 hours of operation or every month, whichever occurs first. Refer to Engine Operator's Manual for instructions.

## 7.5 ENGINE FUEL SYSTEM

### **DANGER:**

To avoid injury from burns, allow the mower to cool before removing the fuel tank cap and refueling.

### A. Filling the Fuel Tank

Fill the fuel tank at the beginning of each operating day to within 1 inch below the filler neck. Do not overfill. Use clean, fresh unleaded gasoline with a minimum octane rating of 87.

To avoid personal injury or property damage, use extreme care in handling gasoline. Gasoline is extremely flammable and the vapors are explosive.

1. Extinguish all cigarettes, cigars, pipes and other sources of ignition.

## Section 7

2. Use only an approved gasoline container.
3. Never remove the gas cap or add fuel with the engine running. Allow the engine to cool before fueling.
4. Never fuel the machine indoors or in an enclosed trailer.
5. Never store the machine or fuel container where there is an open flame, spark or pilot light such as on a water heater or other appliances.
6. Never fill containers inside a vehicle or on a truck or trailer bed with a plastic liner. Always place containers on the ground away from your vehicle before filling.
7. Remove the machine from the truck or trailer and fuel on the ground. If this is not possible, then refuel the machine with a portable container, rather than from a gasoline dispenser nozzle.
8. Keep the nozzle in contact with the rim of fuel tank or container opening at all times until fueling is complete. Do not use a nozzle lock-open device.
9. If fuel is spilled on clothing, change clothing immediately and wash affected skin.
10. Replace gas cap and tighten securely.

## 7.6 ENGINE AIR CLEANER

### A. Cleaning and/or Replacing Air Cleaner Element

For any air cleaner, the operating environment dictates the air cleaner service periods. Inspect and clean the air cleaner element after every 100 hours of operation or bi-weekly, whichever occurs first and replace the element if required.

**-NOTE-**

*In extremely dusty conditions it may be necessary to check the element once or twice daily to prevent engine damage.*

1. Release the latch securing the air cleaner cover to the air cleaner assembly and remove the cover. Set aside.
2. Remove the air cleaner and inspect.
3. Clean or replace the air cleaner and foam pre-cleaner as recommended by the engine manufacturer.

## 7.7 BATTERY

 **WARNING:**

**Battery posts, terminals, and related accessories contain lead and lead compounds, chemicals known to the State of California to cause cancer and reproductive harm. Wash hands after handling.**

 **WARNING:**

**Lead-acid batteries produce flammable and explosive gases. To avoid personal injury when checking, testing or charging batteries, DO NOT use smoking materials near batteries. Keep arcs, sparks and flames away from batteries. Provide proper ventilation and wear safety glasses.**

** WARNING:**

Electric storage battery fluid contains sulfuric acid which is POISON and can cause SEVERE CHEMICAL BURNS. Avoid contact of fluid with eyes, skin, or clothing. Use proper protective gear when handling batteries. DO NOT tip any battery beyond 45° angle in any direction. If fluid contact does occur, follow first aid suggestions below.

**BATTERY ELECTROLYTE FIRST AID**

**EXTERNAL CONTACT — Flush with water.**

**EYES — Flush with water for at least 15 minutes and get medical attention immediately.**

**INTERNAL — Drink large quantities of water. Follow with Milk Of Magnesia, beaten egg, or vegetable oil. Get medical attention immediately. In case of internal contact, DO NOT give fluids that would induce vomiting.**

**A. Charging the Battery**

Refer to the battery charger's manual for specific instructions.

Under normal conditions the engine's alternator will have no problem keeping a charge on the battery. If the battery has been completely discharged for a long period of time, the alternator may not be able to recharge the battery, and a battery charger will be required.

**DO NOT** charge a frozen battery. It may explode and cause injury. Let the battery warm before attaching a charger.

Whenever possible, remove the battery from the mower before charging and make sure the electrolyte covers the plates in all cells.

** WARNING:**

**BATTERIES PRODUCE EXPLOSIVE GASES. Charge the battery in a well ventilated space so gases produced while charging can dissipate.**

Charging rates between 3 and 50 amperes are satisfactory if excessive gassing or spewing of electrolyte does not occur or the battery does not feel excessively hot (over 125°F). If spewing or gassing occurs or the temperature exceeds 125°F, the charging rate must be reduced or temporarily stopped to permit cooling.

**B. Jump Starting**

1. The booster battery must be a 12 volt type. If a vehicle is used for jump starting, it must have a negative ground system.
2. When connecting the jumper cables, connect the positive cable to the positive battery post, then connect the negative cable to the negative battery post.

## Section 7

### 7.8 DRIVE BELTS

All drive belts are spring-loaded and self-tensioning, however after the first 2, 4, 8 and 10 hours of operation, the belts should be checked for proper alignment and wear. Thereafter, check the belts after every 40 hours of operation or weekly, whichever occurs first.

**-NOTE-**

*If you experience frequent belt wear or breakage, see your authorized Scag Dealer for belt adjustment.*

### 7.9 CUTTER BLADES

#### A. Blade Inspection

1. Remove the ignition key before servicing the blades.
2. Raise the mower deck to the highest position. Place the lanyard pin in the highest cutting height position to prevent the cutter deck from falling.

**! WARNING:**

**Always wear proper hand and eye protection when working with cutter blades.**

3. Check the cutter blades for straightness. If the cutter blades appear bent, they will need to be replaced.

**! WARNING:**

**Do not attempt to straighten a bent blade, and never weld a broken or cracked blade. Always replace it with a new blade to assure safety.**

4. If a blade cutting edge is dull or nicked, it should be sharpened. Remove the blades for sharpening. See "Blade Replacement."

**-NOTE-**

*Keep the blades sharp. Cutting with dull blades not only yields a poor mowing job, but slows the cutting speed of the mower and causes extra wear on the engine and the blade drive.*

#### B. Blade Sharpening

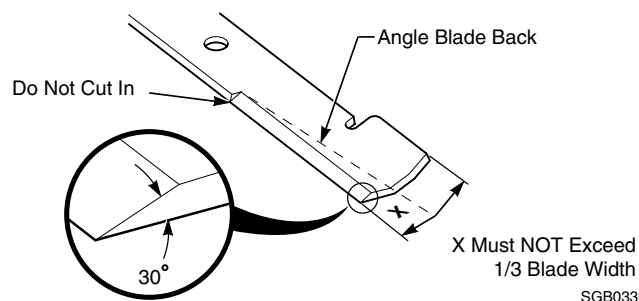
**-NOTE-**

*If possible, use a file to sharpen the blade. Using a wheel grinder may burn the blade.*

**-NOTE-**

*DO NOT sharpen the blades beyond 1/3 of the width of the blade.*

1. Sharpen the cutting edge at the same bevel as the original (See Figure 7-6). Sharpen only the top of the cutting edge to maintain sharpness.



**Figure 7-6 Blade Sharpening**

2. Check the balance of the blade. If the blades are out of balance, vibration and premature wear can occur. See your authorized Scag dealer for blade balancing or special tools, if you choose to balance your own blades.

#### C. Blade Replacement

**! WARNING:**

**Always wear proper hand and eye protection when working with cutter blades.**

1. Remove the ignition key before replacing the blades.
2. Raise the mower deck to the highest position. Place the lanyard pin in the highest cutting height position to prevent the cutter deck from falling.

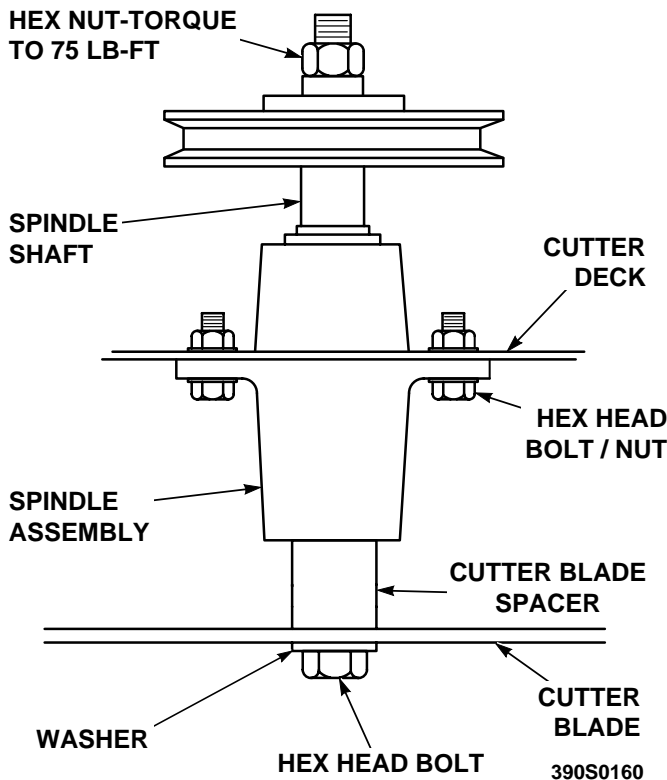


- Secure the cutter blades to prevent them from rotating, (Use the optional Blade Buddy tool, P/N 9212, to assist in securing the cutter blades), remove the nut from the blade attaching bolt. Remove the cutter blade, bolt and spacer from the spindle shaft. (Figure 7-7).

**-NOTE-**

The front of the machine will have to be raised slightly to remove the blade bolt from the cutter spindle.

- To install the new cutter blade, put the flat washer onto the blade bolt and slide the bolt into the hole in the cutter blade.



**Figure 7-7 Blade Replacement**

**-NOTE-**

Be sure that the blade is installed with the lift wing toward the top of the cutter deck.

- Install the spacer onto the blade bolt and insert the bolt into the cutter spindle shaft.
- Install the hex nut to the blade bolt at the top of the cutter spindle. Secure the blades from rotating and torque to 75 ft-lbs. (See Figure 7-7).

### 7.10 TIRES

Check the tire pressures after every 8 hours of operation or daily.

Caster Wheels .....	25 PSI
Drive Wheels .....	12 PSI

### 7.11 BODY, DECK, AND UPHOLSTERY

**CAUTION:**

Do not wash any portion of the equipment while it is hot. Do not wash the engine; use compressed air.

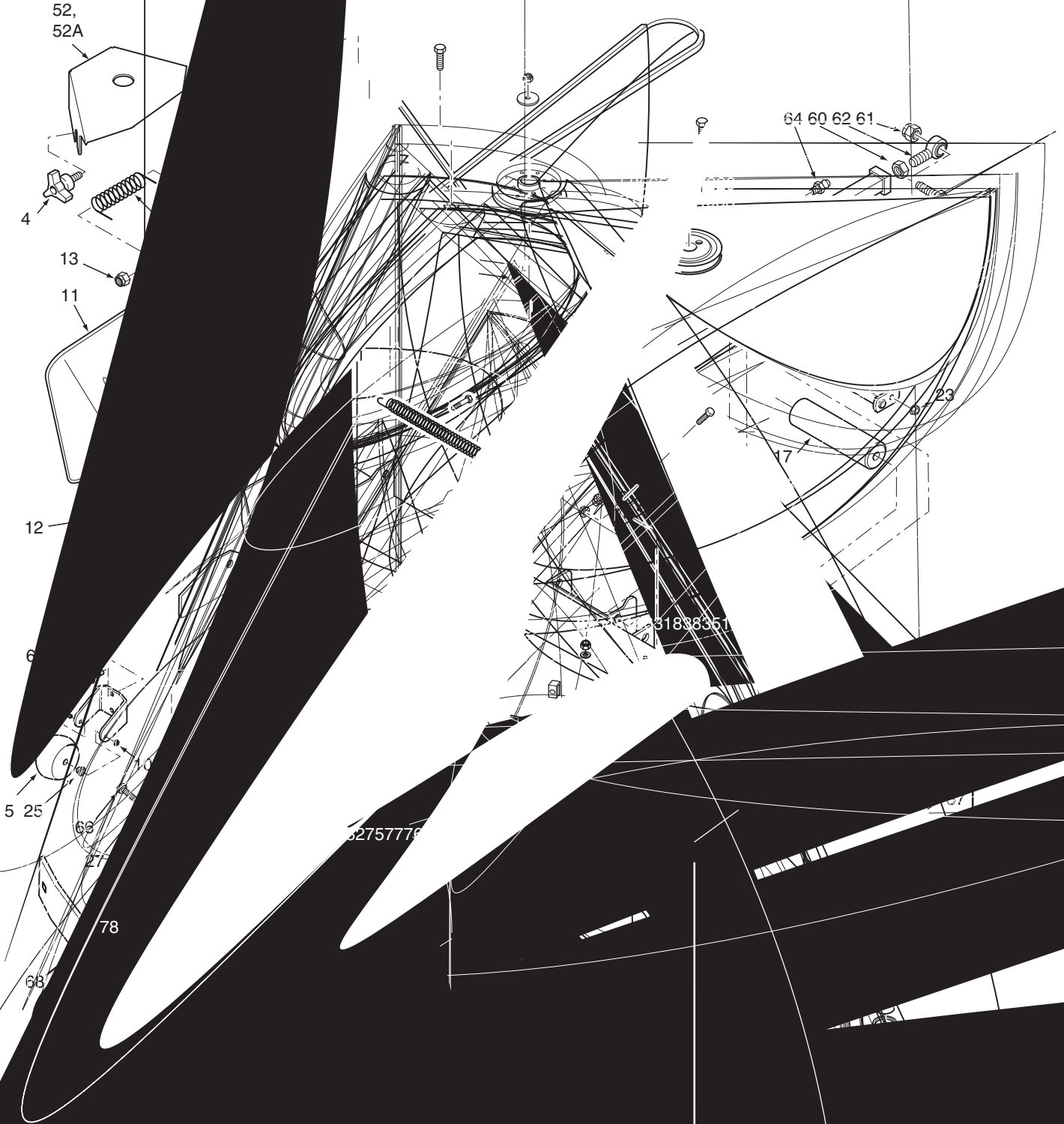
- After each use, wash the mower and cutter deck. Use cold water and automotive cleaners. Do not use pressure cleaners.
- Do not spray electrical components.
- Use a mild soap solution or a vinyl/rubber cleaner to clean the seat.
- Repair damaged metal surfaces using Scag touch-up paint (P/N 48521) available from your authorized Scag dealer. Wax the mower with an automotive paint wax for maximum paint protection.





### 8V" CUTTER DECKS

555555



32757779

## 48V" CUTTER DECKS

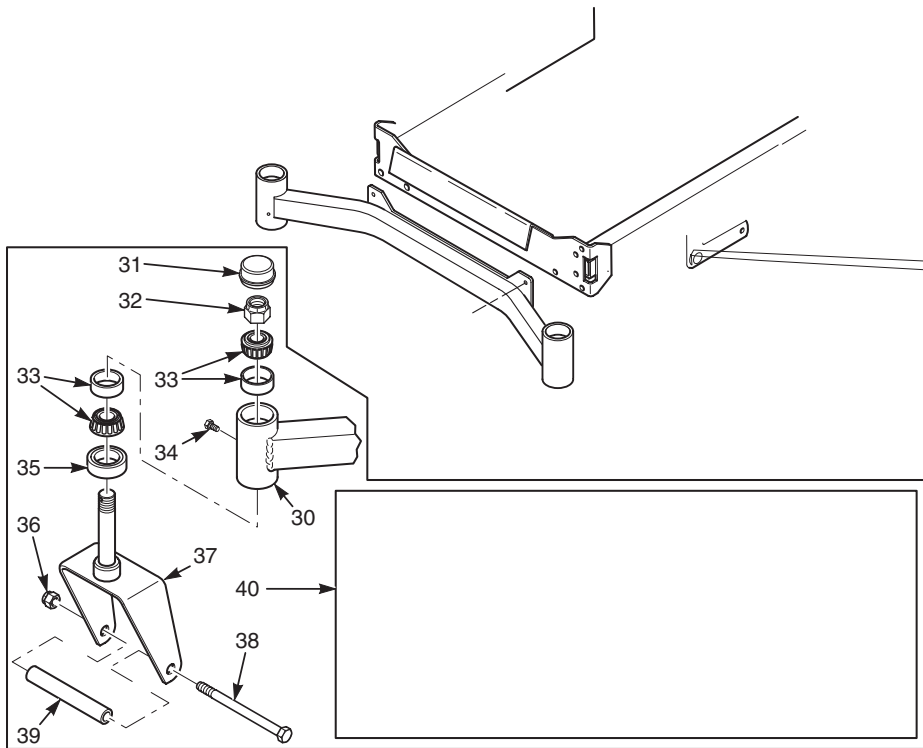
Ref. Part No. No.	Description	Ref. Part No. No.	Description		
1	461854	Cutter Deck Velocity Plus	55	04001-172	Bolt, Hex Head 1/4-20 x 1" Grade 8
2	43686	Boss, Spring Anchor	56	482646	Pulley 4.75"
3	04019-04	Nut, 3/8-16 Serrated Flange	57	424208	Turbo Baffle, Bolt On
4	481625-01	Wing Nut, 3/8-16	58	451240	Push Arm Shaft
5	481632	Anti-Scalp Wheel	59	461516	Push Arm (Includes 64,60,62)
6	04003-26	Bolt, Carriage 3/8-16 x 4"	60	04020-16	Nut, 5/8-18 UNF
7	422478	Bracket, Anti-Scalp Wheel	61	04021-13	Nut, Elastic Stop 5/8-11
8	04017-27	Bolt, Serrated Flange 3/8-16 x 1"	62	48763	Rod End, 5/8 Male RH Thread
9	04043-06	Flatwasher, 5/8" Hardened	63	04001-79	Bolt, Hex Head 5/8-11 x 4-1/2"
10	04021-05	Locknut, 3/8-16 Center Lock	64	48114-04	Grease Fitting, 90 Degree
11	461844	Discharge Chute	65	483241	Belt, Cutter Deck Drive (48V)
12	04001-11	Bolt, Hex Head 5/16-18 x 1-1/2", Rear	66	04001-09	Bolt, Hex Head 5/16-18 x 1"
	04001-12	Bolt, Hex Head 5/16-18 x 1-3/4", Front	67	483185	Spring, Discharge Chute
13	04021-10	Nut, Elastic Stop 5/16-18	68	424173	Baffle Weldment, 48V
14	04020-09	Nut, 5/8-11 UNC	69	04003-23	Bolt, Carriage 3/8-16 x 1"
15	45944	Shaft, Roller	70	04021-22	Nut, Elastic Stop 5/16-18 Grade 8
16	04001-41	Bolt, Hex Head 5/8-11 x 9-1/2"	71	04043-04	Flatwasher 3/8"
17	48038	Roller, Rear	72	483239	Belt, R.H. Cutter Deck
18	04001-154	Bolt, Hex Head 5/16-18 x 4-3/4"	73	48181	Pulley, Idler 5" Dia.
19	04063-08	Key, 1/4 x 1/4 x 2"	74	483217	Pulley, Double Groove
20	483246	Spring, Idler L.H.	75	483167	Bolt, Special
21	04043-04	Flatwasher, 3/8"	76	461929	Lever Assy., Deck Level
22	04001-176	Bolt, Hex Head 5/16-18 x 1-3/4" Grade 8	77	04003-40	Bolt, Carriage 7/16-14 x 1-1/4"
23	04019-03	Nut, Serrated Flange 5/16-18	78	04040-11	Flatwasher, 7/16-500 x 1.25 x .083
24	04001-51	Bolt, Hex Head 3/8-16 x 3-3/4"	79	04021-11	Nut, Elastic Stop 7/16-14
25	48100-15	Bushing, .376 ID Oilite	80	424367	Dust Shield
26	04030-03	Lockwasher 5/16"	81	04030-03	Lockwasher 3/8"
27	04040-15	Flatwasher 5/16"	82	424376	Bracket, Spring Anchor R.H.
28	04001-136	Bolt, Hex Head 3/8-16 x 1-1/2" Gr. 8	83	04001-136	Bolt, Hex Head 3/8-16 x 1-1/2" Gr. 8
29	04021-09	Nut, Elastic Stop 3/8-16	84	04001-19	Bolt, Hex Head 3/8-16 x 1"
30	04001-31	Bolt, Hex Head 3/8-16 x 2-1/2"	85	04001-19	Bolt, Hex Head 3/8-16 x 1"
31	483247	Spring, Idler R.H.	86	04001-136	Bolt, Hex Head 3/8-16 x 1-1/2" Gr. 8
32	424369	Bracket, Spring Anchor L.H. 48V	87	43689	Idler Pivot
33	04110-03	U-Nut, 3/8-16	88	04003-12	Bolt, Carriage 5/16-18 x 3/4"
34	461663	Spindle Assembly	89	04040-04	Flatwasher, 5/16"
35	43589	Shaft, Spindle	90	04021-04	Nut, Center Lock 5/16-18
36	481024	Seal Upper	91	483176	Wear Pad
37	481022	Bearing Assembly			
38	48114-04	Grease Fitting			
39	48677	Valve, Grease Relief			
40	43644	Housing, Spindle			
41	43312	Spacer, Outside			
42	43296	Spacer, Inside			
43	481025	Seal, Lower			
44	43297	Bushing, Bottom			
45	481035	Nut, Special 1-1/16 - 18			
46	43590	Spacer, Spindle			
47	482877	Cutter Blade 16.5"			
48	483210	Pulley, Idler 5" Dia.			
49	48224	Bearing			
50	461940	Idler Arm Assy.			
51	43575	Idler Pivot			
52	424322	Belt Cover (48V)			
53	48926	Hub, Tapered 1-1/8" Bore			
54	461175	Idler Arm			



## CUTTER DECK CONTROLS

Ref. No.	Part No.	Description
1	482624	Rod, Deck Lift Linkage
2	04020-28	Nut, Jam 1/2-20 LH Thread
3	481766	Rod End, 1/2-20 Female Thread
4	04050-10	Retaining Ring, 1/2" External "E"
5	483062	Slide, Deck Height Adjust
6	43487	Pin, Deck Lift
7	423463	Bracket, Cutting Height Adjustment
8	04001-22	Bolt, Hex Head 3/8-16 x 2-3/4"
9	43668	Bushing .502 OD
10	04021-09	Nut, Elastic Stop 3/8-16
11	461874	Lever, Deck Latch
12	422346	Slide, Cutting Height
13	04014-03	Screw, Cap 5/16-18 x 3" FHHS
14	422381	Guide, Short
15	04003-04	Bolt, Carriage 5/16-18 x 1"
16	422380	Guide, Long
17	483177	Spring, Helper
18	04021-05	Nut, 3/8-16 Center Lock
19	04040-09	Flatwasher, 5/8-.656 x 1.312 x .095
20	04019-04	Nut, 3/8-16 Serr. Flange
21	04001-32	Bolt, Hex Head 3/8-16 x 1-1/4"
22	43678	Swivel Joint LH
23	04061-07	Cotter Pin, 3/16 x 1"
24	04019-04	Nut, Serr. Flange 3/8-16
25	04001-20	Bolt, Hex Head 3/8-16 x 1-1/2"
26	04019-04	Nut, Serr. Flange 3/8-16
27	04021-09	Nut, Elastic Stop 3/8-16
28	48540	Chain
29	48114-04	Grease Fitting, 1/4-28 Self Tap
30	483181	Torsion Spring
31	461929	Lever Assy., Deck Level
32	04004-45	Stud, 1/2-13 x 20"
33	04067-09	Pin
	481547	Lanyard
34	04020-09	Nut, 5/8-11 UNC
35	43679	Swivel Joint RH
36	04001-155	Bolt, Hex Head 1/2-13 x 5"
37	481765	Rod End, 1/2-20 Female RH Thread
38	04001-77	Bolt, Hex Head 3/8-16 x 3-1/2"
39	43572	Spacer
40	04021-02	Lock Nut, 1/4-20
41	43630	Spacer
42	04020-27	Nut, 1/2-20 UNF-2B
43	04021-10	Nut, Elastic Stop 5/16-18
44	45904	Lift Bellcrank Weldment, LH Rear
	45905	Lift Bellcrank Weldment, RH Rear
	04041-14	Flatwasher, 1.0-1.062 x 1.5 x .048
	04050-08	Retaining Ring, 1" ext.
45	04062-04	Hair Pin Cotter, .177 x 3-1/4"
46	481477	Grip, Deck Latch Lever

### SHEET METAL COMPONENTS

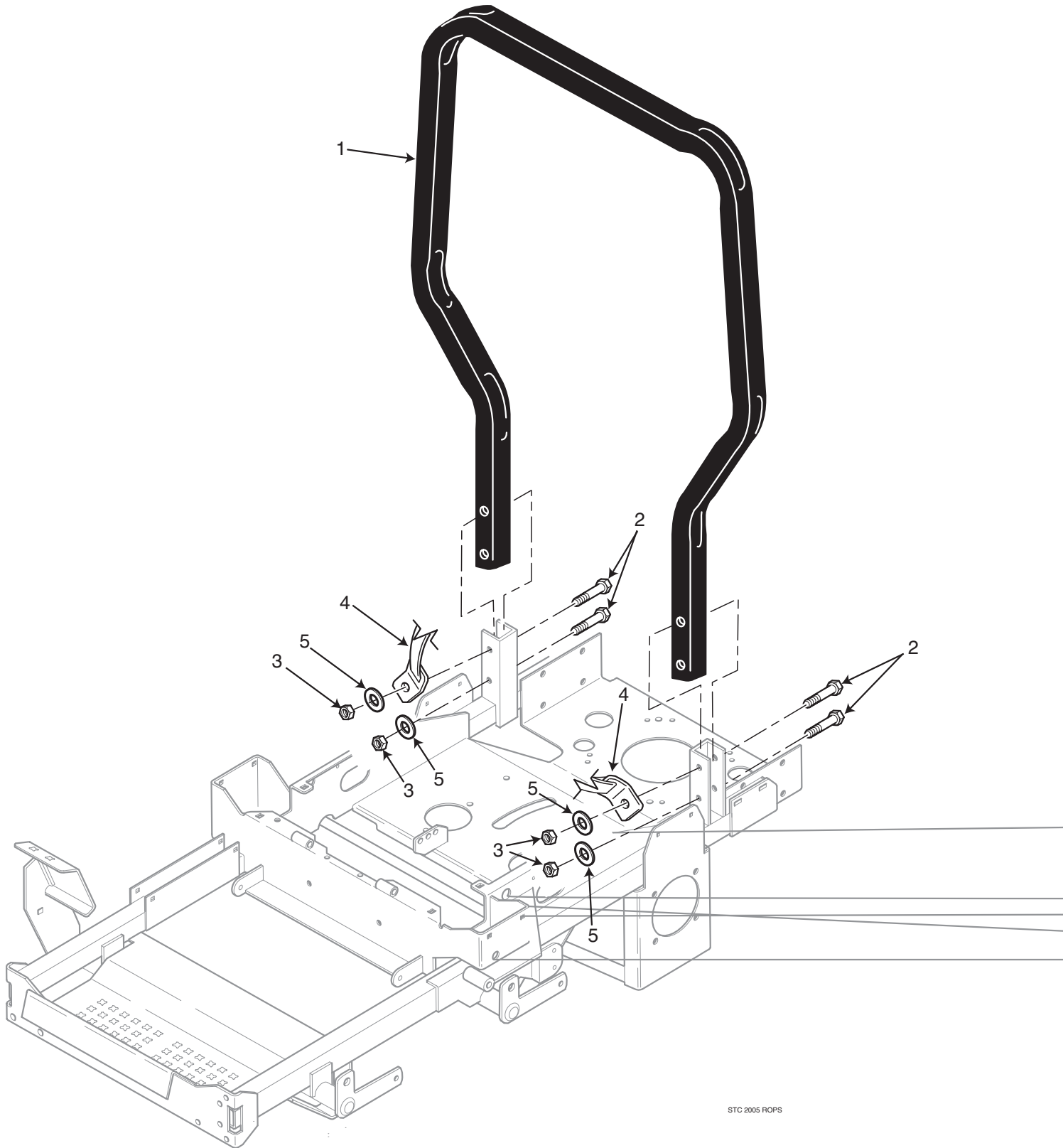


## SHEET METAL COMPONENTS

Ref. No.	Part No.	Description	Ref. No.	Part No.	Description
1	461918	Main Frame Assembly w/decals	29	48566	Cable, Seat Stop
2	04001-73	Bolt, Hex Head 5/16-18 x 3-3/4"	30	451826	Weldment, Caster Support
3	482632	Cushion, Back	31	481559	Cap, Grease
4	04019-04	Nut, Serr. Flange 3/8-16	32	04021-20	Nut, Elastic Stop 1.0-14
5	451461	Plate, Seat Mounting	33	48668	Bearing Set
6	482111	Cushion, Lower Seat	34	482028-01	Plug, 1/4-28
7	43462	Pin Retainer, Spring	35	481025	Seal, 2.0" OD x 1.625" ID
8	481389	Spring	36	04021-07	Nut, Elastic Stop 1/2-13
9	**	Battery (not available through Scag)	37	451471	Yoke, Front Caster Wheel
10	423571	Battery Cover	38	04001-134	Bolt, Hex Head 1/2-13 x 7-1/2"
11	482553	Battery Hold Down Pad	39	43581	Sleeve
12	04003-12	Bolt, Carr. 5/16-18 x 3/4"	40	482503	Caster Wheel Assembly (Incl. 41 thru 45)
13	423556	Battery Box	41	481613	Tire, 13 x 5.0-6 Smooth
14	04060-01	Roll Pin, Spring 5/32 x 3/4"	42	482622	Seal
15	04019-03	Nut, Serr. Flange 5/16-18	43	482625	Rim (Includes Item 45)
16	04001-19	Bolt, Hex Head 3/8-16 x 1"	44	482621	Roller Bearing
17	482552	Pad, Rubber	45	48114-04	Fitting, Grease
18	04001-59	Bolt, Hex Head 1/4-20 x 1-1/4"	46	423575	Mounting Bracket, Oil Tank
19	04019-02	Nut, Serr. Flange 1/4-20	47	423764	Mounting Bracket, Fuel Tank
20	451462	Seat Base Support	48	482633	Seat Pan
21	04021-10	Nut, Elastic Stop 5/16-18	49	43584	Spacer, Caster Wheel
22	482551	Seat Assembly w/ adj. rails	50	04001-28	Bolt, Hex Head 7/16-14 x 1-1/4"
	482631	Seat Assembly w/out adj. rails	51	04021-11	Nut, Elastic Stop 7/16-14
23	482108	Arm Pad, RH	52	04030-05	Lockwasher, 7/16
	482110	Bracket, Armrest RH	53	04030-04	Lock Washer. 3/8 Spring
24	482107	Arm Pad, LH	54	04110-03	U-Nut, 3/8-16
	482109	Bracket, Armrest LH	55	04003-04	Bolt, Carriage 5/16-18 x 1"
25	482183	Channel, Armrest	56	423912	Bracket, Fuel Valve
26	423557	Footplate	57	424112	Bracket, Hour Meter
27	04021-09	Nut, Elastic Stop 3/8-16	58	04001-32	Bolt, Hex Head 3/8-16 x 1-1/4"
28	04001-19	Bolt, Hex Head 3/8-16 x 1"			



### STC ROLL-OVER PROTECTION SYSTEM



STC 2005 ROPS

**STC ROLL-OVER PROTECTION SYSTEM**

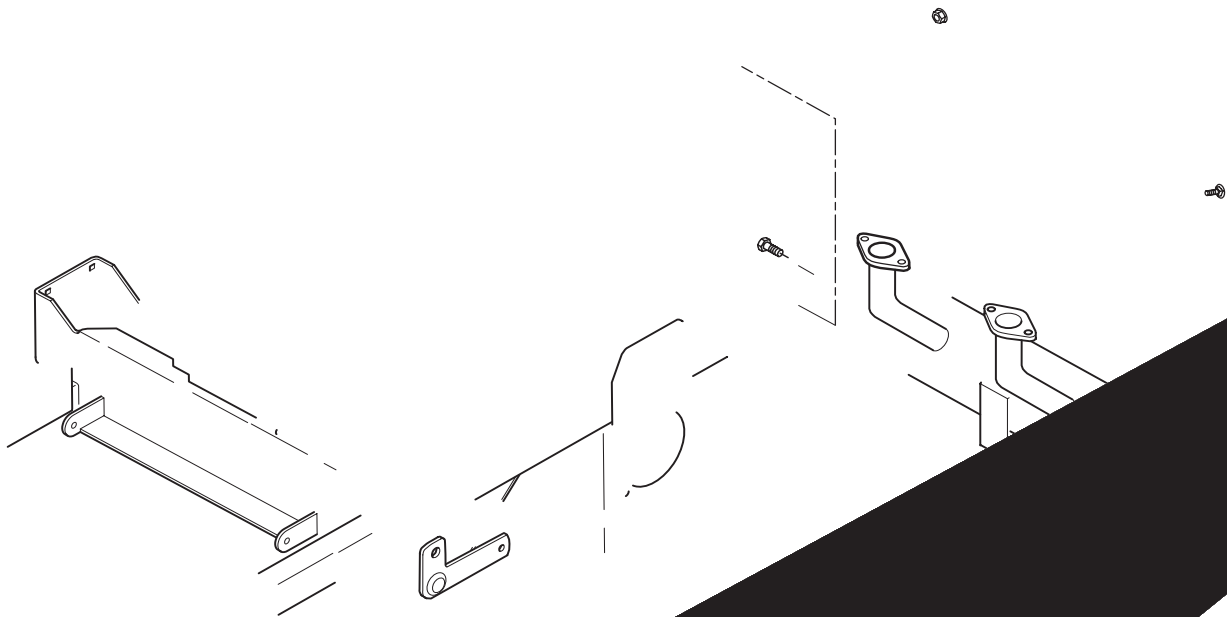
<b>Ref. No.</b>	<b>Part No.</b>	<b>Description</b>
1	461816	STC ROPS
2	04001-145	Bolt, Hex Head 1/2-13 x 3-1/2"
3	04021-19	Nut, Center Lock 1/2-13
4	483150	Seat Belt
5	04040-13	Flatwasher, 1/2-.562 x 1.375 x .109



## DRIVE SYSTEM COMPONENTS

Ref. Part No. No.	Description
1	04021-09 Nut, Elastic Stop 3/8-16
2	04019-04 Nut, Serrated Flange 3/8-16
3	483087 Spring, Pump Idler
4	43286 Spacer
5	04001-22 Bolt, Hex Head 3/8-16 x 2-3/4"
6	461603 Idler Arm Assy., Pump Drive
7	04063-14 Key, 5 x 5 x 25mm
8	483172 Belt, Transmission
9	483173 Pulley, 3-1/2" Dia. Idler
10	04043-04 Flatwasher, 3/8-.391 x .938 x .105
11	482744 Pulley, 5.75 OD Taper Bore
12	482085 Hub, Tapered, 15mm Bore
13	04001-45 Bolt, 3/8-16 x 2"
14	43503 Pivot, Idler
15	48224 Bearing
16	04001-172 Bolt, Hex Head 1/4-20 x 1" Grade 8
17	04001-31 Bolt, Hex Head 3/8-16 x 2-1/2"
18	04001-20 Bolt, Hex Head 3/8-16 x 1-1/2"
19	483081 Pulley, 5.75 Dia. - 1.125" Bore
20	421203 Clamp Plate
21	04017-05 Hex Head Capscrew, 1/4-20 x 3/4"
22	422969 Control Lever, Pump
23	04017-05 Hex Head Capscrew, 1/4-20 x 3/4"
24	04030-02 Lockwasher, 1/4"
25	48829 Block, Pump Control
26	04060-06 Roll Pin
27	04001-136 Bolt, Hex Head 3/8-16 x 1-1/2" Grade 8
28	04019-04 Nut, Serr. Flange 3/8-16
29	04001-136 Bolt, Hex Head 3/8-16 x 1-1/2" Grade 8
30	424137 Bracket
31	04001-19 Bolt, Hex Head 3/8-16 x 1"
32	482416 Pulley, 5" Dia. Idler

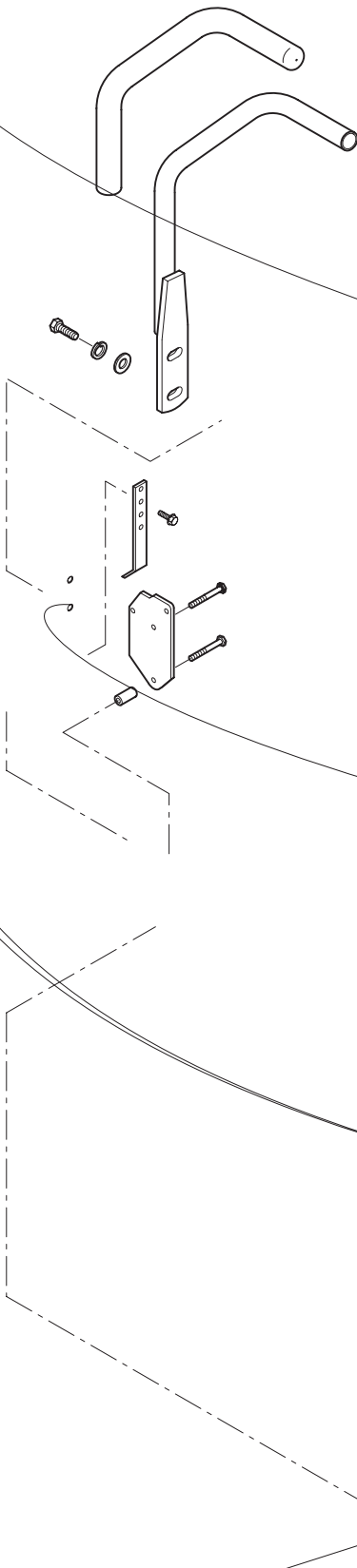
## ENGINE AND ATTACHING PARTS (BRIGGS & STRATTON)



**ENGINE AND ATTACHING PARTS (BRIGGS & STRATTON)**

<b>Ref. No.</b>	<b>Part No.</b>	<b>Description</b>
1	482828	Engine, Briggs & Stratton
2	423770	Bumper, Rear
3	424107	Shield, Rear
4	04019-04	Nut, Serr. Flange 3/8-16
5	482510	Extension, Oil Drain 2.3"
6	04003-23	Bolt, Carr. 3/8-16 x 1"
7	04104-01	Bolt, 3/8-16 x 1" Torx
8	483288	Muffler
9	423572	Bracket, Muffler
10	423555	Plate, Skid
11	04001-11	Bolt, Hex Head 5/16-18 x 1-1/2"
12	04001-19	Bolt, Hex Head 3/8-16 x 1"
13	04003-12	Bolt, Hex Head 5/16-18 x 3/4"
14	04019-03	Nut, Serr. Flange 5/16-18
15	04003-31	Bolt, Carr. 3/8-16 x 3/4"
16	04019-03	Nut, Serr. Flange 5/16-18
17	424415	Guard, Carb Inlet
18	483280-01	Tubing, Oil Drain 1/2" x 8"

## STEERING COMPONENTS

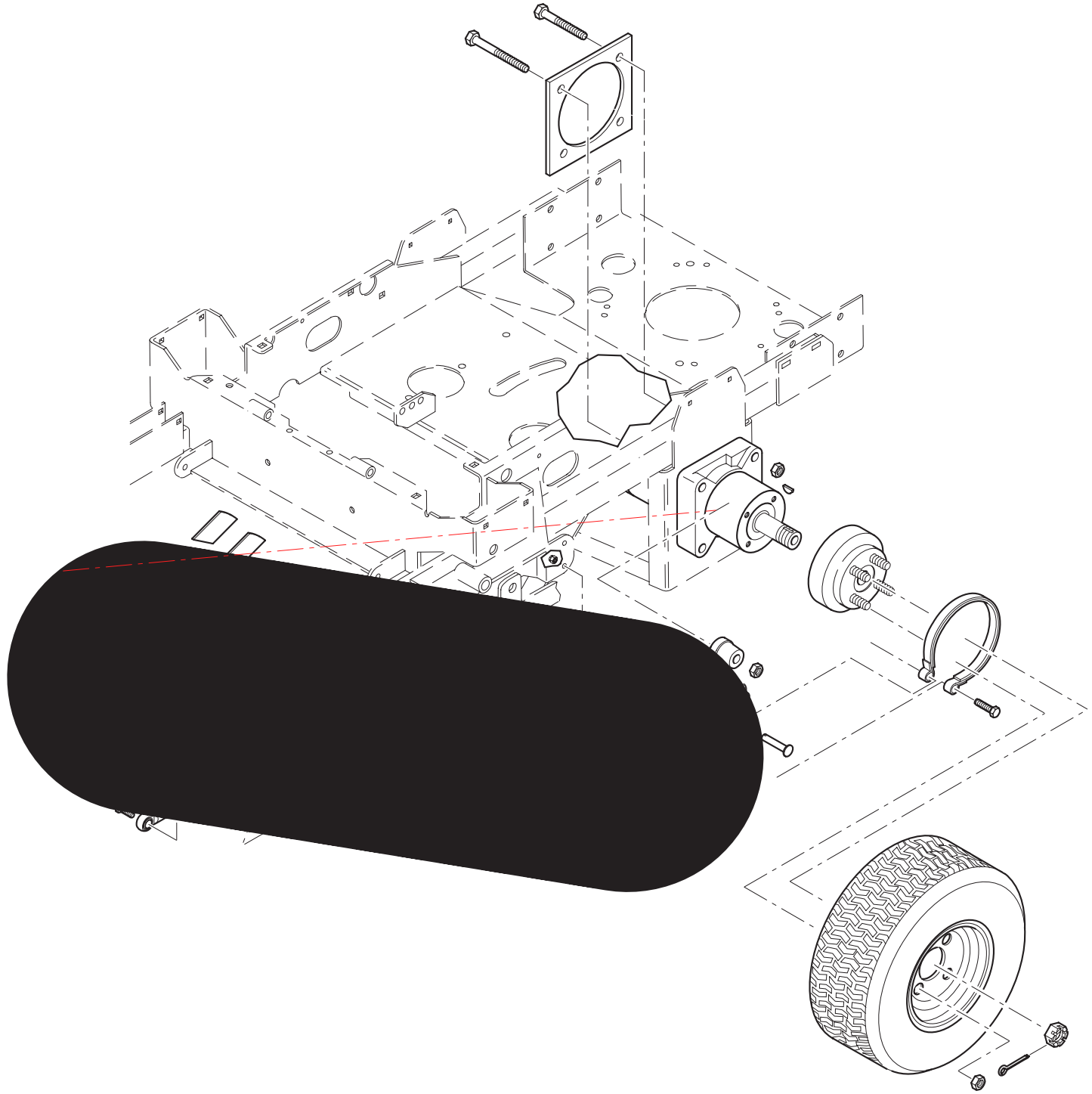




## STEERING COMPONENTS

Ref. Part No. No.	Description
1 482340	Grip, Control Lever
2 461386	Handle Bar (Includes item 1)
3 04001-32	Bolt, Hex Head 3/8-16 x 1-1/4"
4 04030-04	Lock Washer, 3/8"
5 04041-07	Flatwasher, 3/8-.391 x .938 x .105
6 04040-15	Flatwasher, 5/16-.375 x .875 x .083
7 04060-01	Roll Pin, Spring 5/32 x 3/4"
8 422372	Bar, Control Lever
9 04021-09	Nut, Elastic Stop 3/8-16
10 482330	Rod End, 3/8-24 RH Female
11 04020-14	Nut, 3/8-24 RH Thread
12 482623	Rod, Pump Control Linkage
13 04020-17	Nut, 3/8-24 UNF-2B LH Thread
14 482331	Rod End, 3/8-24 LH Thread
15 43477	Pin Retainer
16 04001-20	Bolt, Hex Head 3/8-16 x 1-1/2"
17 04001-12	Bolt, Hex Head 5/16-18 x 1-3/4"
18 43602	Spacer, Pump Dampener
19 423599	Plate, Control Lever
20 04001-17	Bolt, Hex Head 5/16-18 x 2"
21 482452	Gas Damper
22 04001-19	Bolt, Hex Head 3/8-16 x 1"
23 482099	Block, Clamping
24 04003-12	Bolt, Carriage, 5/16-18 x 3/4"
25 461525	Control Plate - LH (Includes Decal)
461526	Control Plate - RH (Includes Decal)
26 04019-03	Nut, Serr., Flange, 5/16-18
27 04021-08	Nut, Elastic Stop 1/4-20
28 04001-18	Bolt, Hex Head 3/8-16 x 3/4"
29 43616	Shaft, Steering Control
30 04021-10	Nut, Elastic Stop 5/16-18
31 48114-04	Grease Fitting, 1/4-28 Self Tap
32 43559	Spacer, Control
33 49574	Control Lever Assy RH (Includes 31 & 35)
49573	Control Lever Assy LH (Includes 31 & 35)
34 04021-10	Nut, Elastic Stop 5/16-18
35 48100-06	Bushing
36 04041-08	Flatwasher, 1-1/4 x 49/64 x 16 Ga.
37 04050-02	Retaining Ring, 3/4" Ext.
38 423057	Bracket, Switch Actuator
39 04017-16	Bolt, Hex Serr. Flange 5/16-18 x 3/4"
40 04003-02	Bolt, Carr. 1/4-20 x 3/4"
41 45918	Bracket, Control Return
42 481389	Spring
43 43477	Pin Retainer

### BRAKE COMPONENTS



STC 2002 BSC

## BRAKE COMPONENTS

Ref. No.	Part No.	Description
1	04019-04	Nut, Serr. Flange 3/8-16
2	48807	Spring
3	04001-08	Bolt, Hex Head 5/16-18 x 3/4"
4	04001-163	Bolt, Hex Head 1/2-13 x 3-3/4"
5	04001-52	Bolt, Hex Head 1/2-13 x 2-1/2"
6	04021-19	Nut, 1/2-13 Center Lock
7	483190	Wheel Motor, Hydro-Gear
8	04063-25	Key, Woodruff 5/16 x 1"
9	461438	Wheel Hub Assembly
10	481601	Brake Band Assembly
11	482061	Bushing, Self Align
12	48680	Nut, Hex Castle 1.0-20 UNEF
13	04061-06	Cotter Pin, 9/64 x 1-1/2"
14	04028-02	Lug Nut, 1/2-20
15	482044	(48") Wheel Assembly 23 x 9.5 -12
	481659	(48") Rim
	482413	(52") Wheel Assembly 23 x 9.5 -12
	482414	(52") Rim
	482194	(48" & 52") Tire 23 x 9.5 - 12
16	04004-46	Brake Rod Stud, 3/8-24 x 8.125
17	04020-14	Nut, 3/8-24 UNF
18	423279	Plate Weldment, Motor Backing
19	04064-16	Clevis Pin, 3/8 x 1.93"
20	04069-01	Pin, Rue Cotter 3/8 Dia.
21	461471	Brake Linkage LH
	461472	Brake Linkage RH
22	48114-04	Grease Fitting, 1/4-28
23	04020-25	Nut, 3/8-24 UNF
24	04050-01	Retaining Ring, .625 Ext.
25	04021-10	Nut, Elastic Stop 5/16-18
26	04041-07	Flatwasher, 3/8-.391 x .938 x .105
27	04001-31	Bolt, Hex Head 3/8-16 x 2-1/2"
28	04001-166	Bolt, Hex Head 3/8-24 x 3-3/4"
29	04061-02	Cotter Pin, 3/32 x 3/4"
30	04001-20	Bolt, Hex Head 3/8-16 x 1-1/2"
31	451463	Brake Shaft
32	04021-09	Nut, Elastic Stop 3/8-16
33	48544	Rod End, 3/8-24 LH Thread
34	04064-02	Clevis Pin, 3/8 x 1.06
35	48343-04	Clevis, 3/8-24
36	482102	Grip, Brake Lever
37	04019-04	Nut, Serr. Flange 3/8-16
38	461509	Brake Lever (includes item 36)
39	04001-22	Bolt, Hex Head 3/8-16 x 2-3/4"
40	04020-17	Nut, 3/8-24 UNF-2B LH Thread
41	422483	Lever, Brake
42	45974	Shaft Weldment, Pivot
43	43495	Pin, Pivot
44	04008-01	Bolt, Serr. Flange 1/2-20 x 4.563"

\* Common hardware which should be purchased locally. All bolts Grade 5 plated, all other fasteners zinc plated.

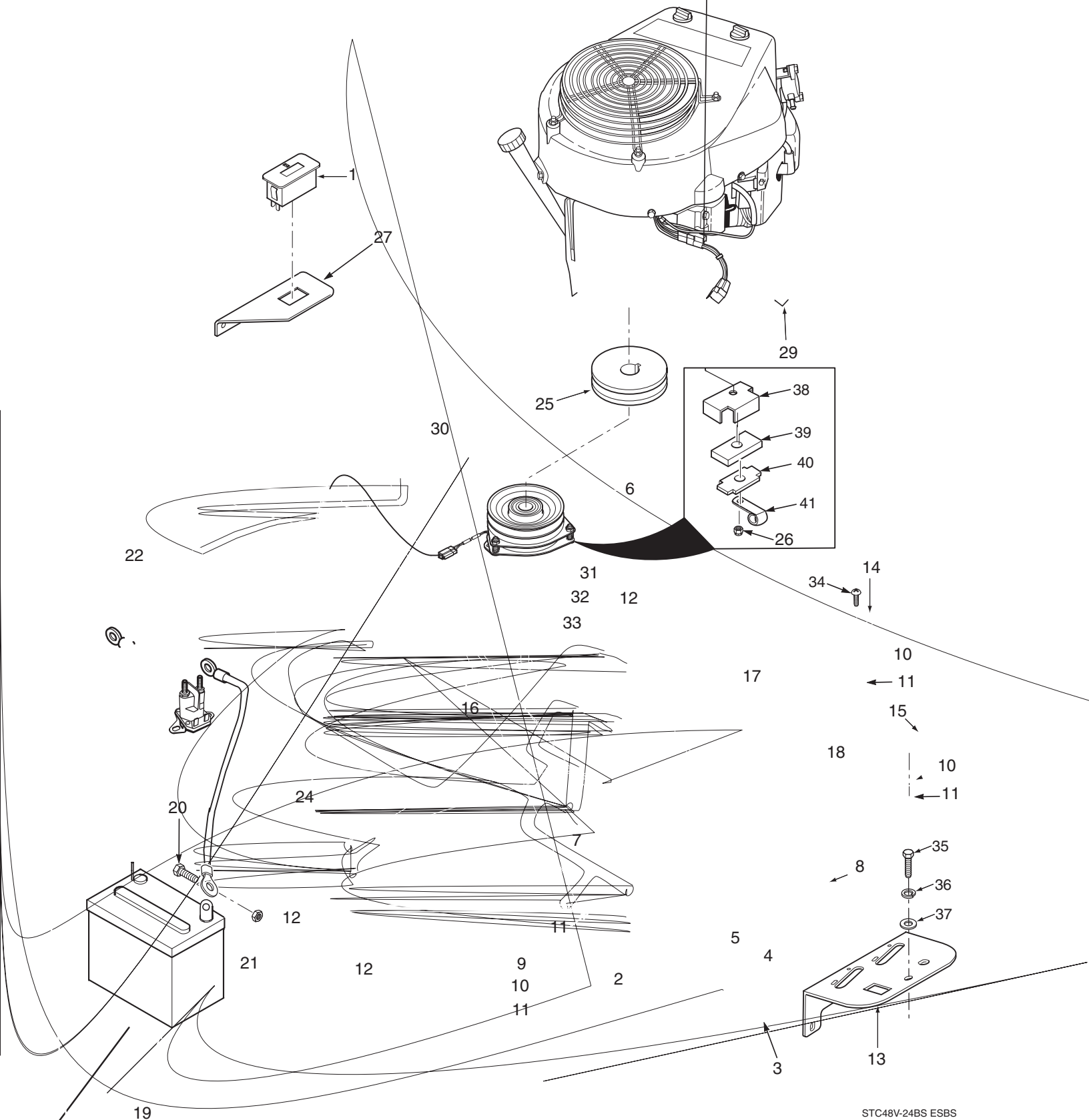


FUEL AND HYDRAULIC SYSTEM

Ref. Part No. No.	Description	Ref. Part No. No.	Description
1	482643 Pump, BDP-10A-316 (L.H.)	30	482572 Elbow, 0.38 Hose
	482644 Pump, BDP-10A-419 (R.H.)	31	48136-13 Clamp
2	482266-01 Elbow, 90 Degree 9/16 O-Ring x 3/8 Hose	32	48058 Fuel Hose, 1/4 ID
3	48572-02 Fitting, 1/2" JIC x 5/8 O-Ring	33	423912 Bracket Fuel Valve
4	48811 Hose, 3/8 Pushlock (Specify length)	34	48059-01 Clamp, Fuel Hose 1/4 Hose ID
5	482573 Bushing	35	482212 Valve, Fuel Shutoff
6	482574 Fitting	36	48136-13 Clamp, .69 Max. / .25 Min. Dia.
7	482266-01 Elbow, 90 Degree 9/16 O-Ring x 3/8 Hose	37	482800-02 Fitting, 9/16 O-Ring x 3/8 Hose
8	48136-13 Hose Clamp, .69 Dia.	38	04019-03 Nut, Serr. Flange 5/16-18
9	482548 Hose Assembly	39	04041-07 Flatwasher, 3/8-.391 x .938 x .105
10	04060-06 Roll Pin	40	48462-01 Oil Filter
11	48572-04 Fitting, 1/2" JIC x 1/2" O-Ring	41	482798 Filter Head Assembly
12	48603-06 O-Ring	42	482800-01 Fitting, 3/4 O-Ring x 3/8 Hose
13	04001-20 Bolt, Hex Head 3/8-16 x 1-1/2"	43	48604-03 Plug, 9/16-18 O-Ring
14	04017-07 Bolt, Hex Head 1/4-20 x 1-1/4"	44	482557 Hose, Filter Inlet
15	04030-02 Lockwasher	45	461717 Fuel Tank RH
16	04021-09 Nut, Elastic Stop 3/8-16	46	482547 Cap, Fuel Tank (incl. item #53)
17	422969 Control Lever	47	48309 Tank Bushing
18	04001-08 Bolt, Hex Head 5/16-18 x 3/4"	48	48939 Elbow, 90 Degree
19	04030-03 Lockwasher, 5/16	49	461476 Fuel Tank LH
20	04040-15 Flatwasher, 5/16-.375 x .875 x .083	50	48811 Hose, 3/8 Pushlock 15" Long
21	481164 Cap, Hydraulic Tank	51	04001-17 Bolt, Hex Head 5/16-18 x 2"
22	481507 Insert, Filler Neck	52	04010-10 Screw, 1/4-20 x 2"
23	48829 Control Block	53	482774 Gasket, Gas Tank Cap
24	421203 Clamp Plate	54	** Fuel Filter
25	461479 Hydraulic Tank Assembly w/fittings	55	482605 Hose Assembly
26	48603-06 O-Ring, 9/16"	56	04001-11 Bolt, Hec Head 5/16-18 x 1-1/2
27	482277 Tee Fitting, O-Ring to Barb	57	482802 Nipple, Oil Filter 1.0-12 UNF-2A x 1-1/4"
28	48136-13 Clamp, .69 Max. / .25 Min. Dia.	58	48603-02 O-Ring, 3/4"
29	482571 Bushing		

\*\* Available through the individual engine manufacturer.

### ELECTRICAL SYSTEM

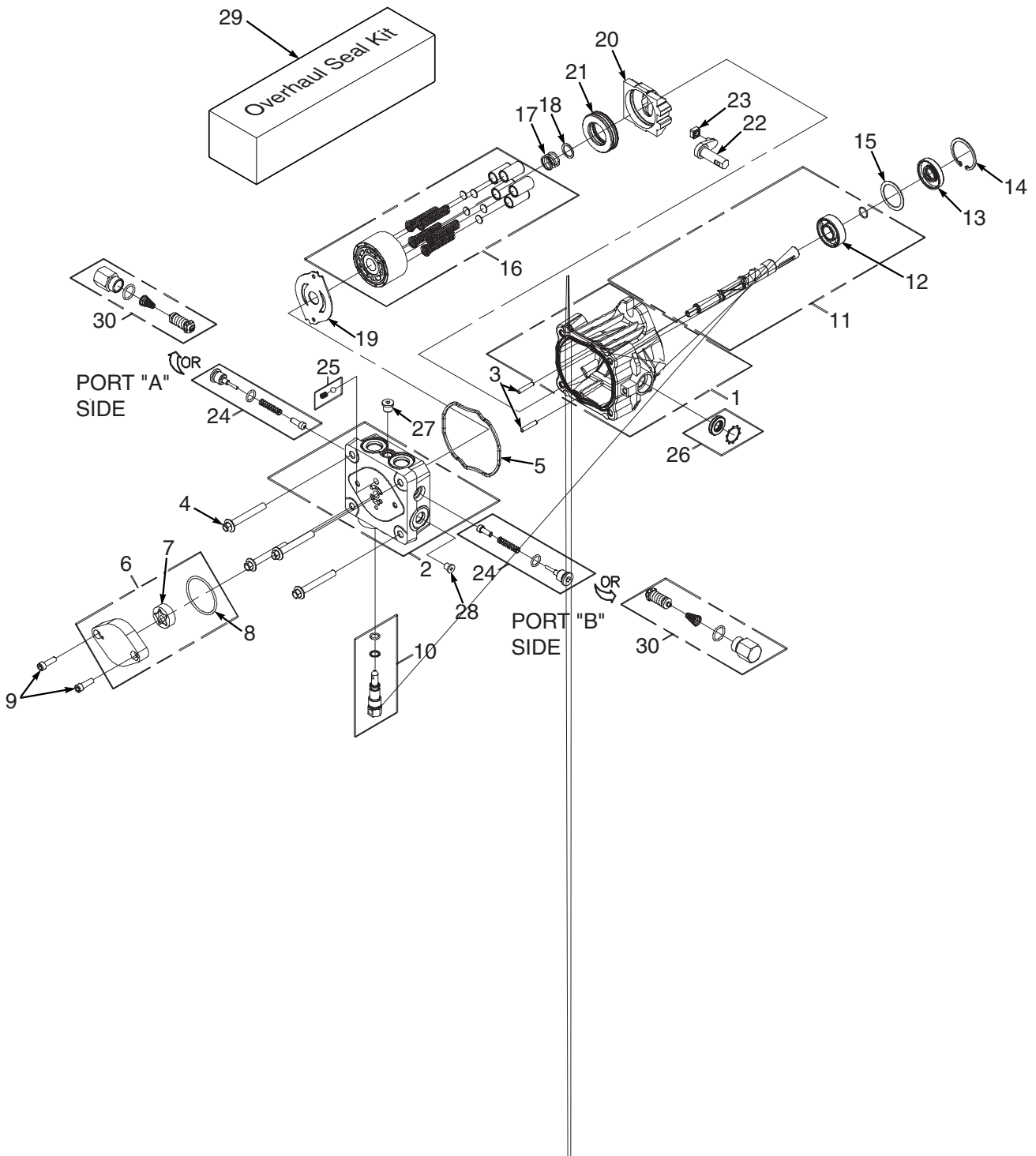


## ELECTRICAL SYSTEM

Ref. No.	Part No.	Description
1	483072	Hourmeter
2	48298	Fuse, 20 amp
3	48017-02	Key, Ignition
4	48017-04	Nut, Hex 5/8-32
5	48017-03	Lockwasher, 5/8" Internal
6	461660	Electric PTO Clutch GT3.5
7	48798	Switch, Ignition
8	483162	Switch, PTO
9	483013	Relay
10	04031-01	Lock Washer, #10 External Tooth
11	04020-01	Nut, Hex #10-32
12	481637	Switch, N/O
13	461768	Panel, Instrument
14	482032	Choke & Throttle Control
15	482032	Throttle Control
16	481638	Switch, Seat
17	483029	Module, Interlock
18	04010-01	Screw, #10-32 x .5" Phillips Head
19	**	Battery (Not Available Through Scag)
20	04001-44	Bolt, Hex Head 1/4-20 x .5"
21	04020-02	Nut, Hex 1/4-20
22	48029-15	Cable, Battery Black (negative)
23	48029-12	Cable, Battery Red (positive)
24	483053	Wiring Harness, Main
25	482650	Pulley, 5.45 OD x 1.125 Bore
26	04021-10	Nut, Elastic Stop 5/16-18 Key
27	424112	Mounting Bracket, Hour Meter
28	04010-11	Screw, #10-32 x 1.5" Phillips Head
29	482836	Adaptor, Wiring Harness (Briggs & Stratton only)
30	04063-23	Key, 1/4 x 1/4 x 3-1/4"
31	04041-28	Flatwasher, 7/16-.469 x 1-3/4" x 1/4"
32	04030-05	Lockwasher, 7/16"
33	04001-101	Bolt, Hex Head 7/16-20 x 2-1/2" UNF
34	04010-12	Screw, #10-32 x 3/4"
35	04001-08	Bolt, Hex Head 5/16-18 x 3/4"
36	04030-03	Lockwasher, 5/16
37	04040-15	Flatwasher, 5/16-.375 x .875 x .083
38	423909	Backing Plate
39	481716	Rubber Pad, Clutch Stop
40	422534	Plate, Backing
41	48030-09	Clamp
42	483278	Solenoid



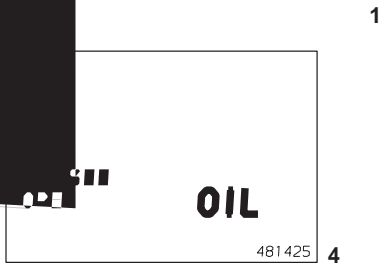
### HYDRAULIC PUMP ASSEMBLY



## HYDRAULIC PUMP ASSEMBLY

Ref. No.	Part No.	Description
1	HG 70516	Housing Kit
2	HG 70573	End Cap Kit
3	HG 50641	Straight Headless Pin
4	HG 50969	Hex Flange Bolt, M8-1.25 x 60mm
5	HG 51232	Housing O-Ring
6	HG 2513027	Charge Pump Kit
7	HG 50273	Gerotor Assembly
8	HG 9004101-1340	O-Ring
9	HG 50095	Socket Head Screw, M6 x 1.0-20mm
10	HG 2513030	Bypass Valve Kit
11	HG 70521	Pumpshaft Kit
12	HG 50315	Ball Bearing, 17 x 40 x 12
13	HG 51161	Lip Seal
14	HG 50329	Retaining Ring
15	HG 50951	Spacer
16	HG 70331	Cylinder Block Kit
17	HG 2003014	Block Spring
18	HG 2003017	Block Thrust Washer
19	HG 51444	Valve Plate
20	HG 2003087	Swash Plate
21	HG 50551	Ball Thrust Bearing
22	HG 2003005	Trunnion Arm
23	HG 2000015	Slot Guide
24	HG 2510062	Check Valve Kit (.024" Orifice) port "A" on Left Hand Pump, port "B" on Right Hand Pump
25	HG 70403	Charge Relief Kit
26	HG 2513043	Trunnion Seal with Retainer
27	HG 9005110-4400	Straight Thread Plug
28	HG 50408	Straight Headless Pin
29	HG 70525	Overhaul Seal Kit
30	HG 70589	System Check Relief Kit, port "B" on Left Hand Pump, port "A" on Right Hand Pump

REPLACEMENT DECALS AND INFORMATION PLATES



10

11

12

REPLACEMENT DECALS AND INFORMATION PLATES

Ref. No.	Part No.	Description
1	483206	Decal, Danger-Spinning Blades
2	482286	Decal, Warning-Rotating Blades
3	483199	Decal, 48V
4	481425	Decal, Oil
5	483044	Decal, Patents
6	482100	Decal, Traction Control
7	481971	Decal, Heavy Duty Commercial
8	48404	Decal, Metalcraft - Made in USA
9	481039	Decal, Belt Cover
10	482982	Decal, Instrument Panel
11	482835	Decal, Fuel Valve Position
12	482566	Decal, Cutting Height Bottom Row of Holes
13	482578	Decal, Tiger Cub
14	482709	Decal, Seat Support
15	482579	Decal, Rear Bumper
16	482166	Decal, Front Footplate
17	482165	Decal, Discharge Chute
18	482549	Decal, Cutting Height Top Row of Holes
19	483158	Decal, ROPS

**IMPORTANT ADJUSTMENT PROCEDURES**  
 READ OPERATOR'S MANUAL FOR MORE DETAILS  
 Check tire pressure - (Drive tires-12 psi)  
 - (Caster tires-25 psi)

**NEUTRAL ADJUSTMENT**

With an operator in the seat, engine running, control lever in neutral and the parking brake disengaged - adjust control linkage. Loosen jam nuts. If wheel rotates forward, adjust turnbuckle CW. If wheel rotates rearward, adjust turnbuckle CCW. Adjust until drive wheel stops turning. Tighten jam nuts. Repeat procedure until proper Neutral Adjustment is obtained.

**TRACKING ADJUSTMENT**

If the machine pulls to the right, adjust LH control linkage CW to slow left wheel. If the machine pulls to the left adjust RH control linkage CW to slow right wheel. Readjust neutral if necessary.

**FREE WHEEL OPERATION**

To move machine without running the engine, rotate both dump valves located at the LH side of the pumps CCW 1/2 turn to "freewheel" positions. Return dump valves to original position to operate the mower. Tighten to 7-10 ft-lbs.

**HYDRAULIC FLUID LEVEL**

Check hydraulic fluid level while fluid is cool. Fluid level should be 3" below top of filler neck. Fill with SAE 20W50 motor oil only.

**IMPORTANT**

Do not overfill. Room for hot fluid expansion must be allowed or resulting expansion may cause leaks in the system.

482709

14



15



3



16

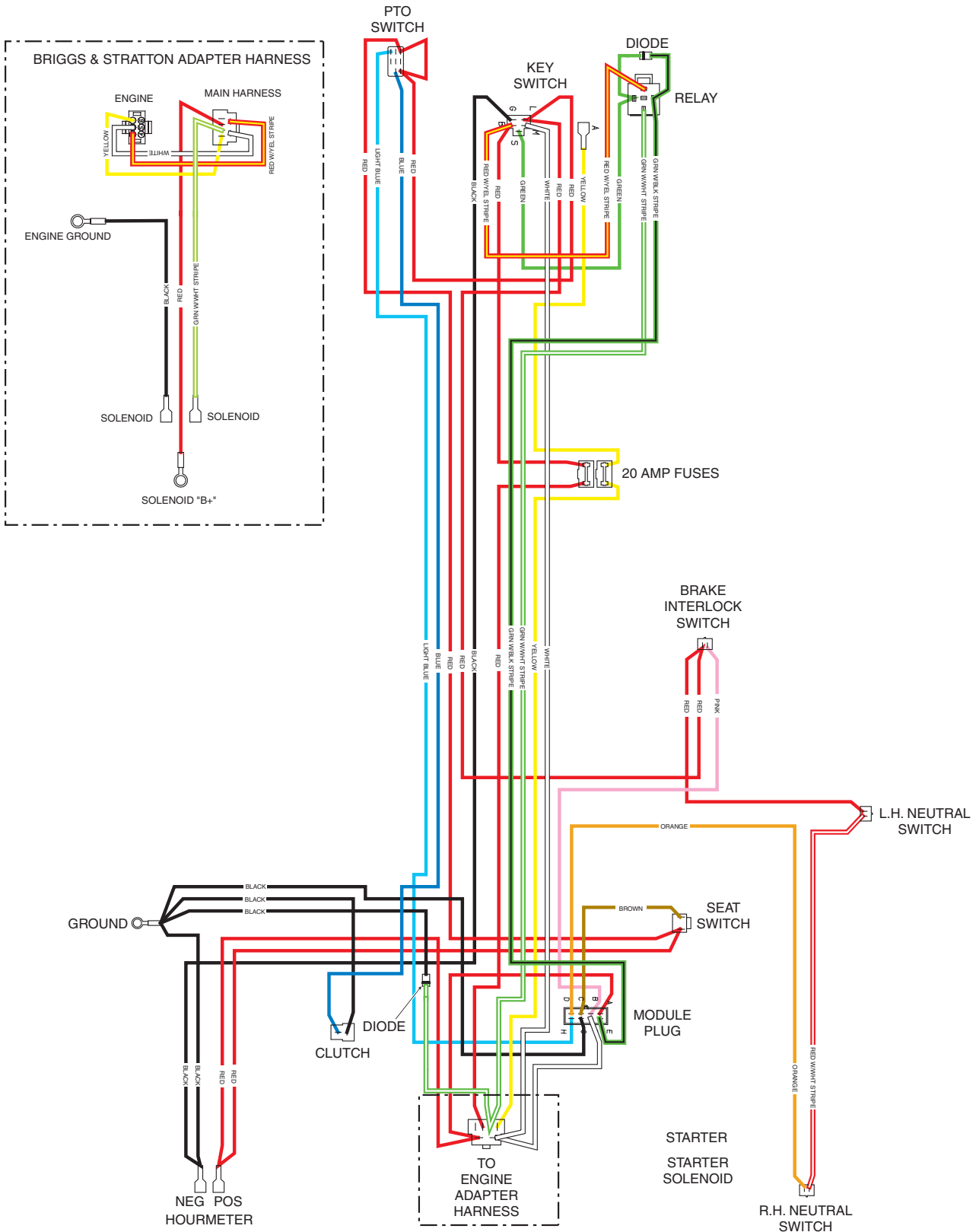
**⚠ WARNING**

DO NOT OPERATE WITHOUT DISCHARGE CHUTE, MULCHING KIT, OR ENTIRE GRASS CATCHER INSTALLED

482165

17

## ELECTRICAL SCHEMATIC - BRIGGS & STRATTON



STC48V-24BS Electrical Schematic

# LIMITED WARRANTY - COMMERCIAL EQUIPMENT

---

Any part of the Scag commercial mower manufactured by Scag Power Equipment and found, in the reasonable judgment of Scag, to be defective in materials or workmanship, will be repaired or replaced by an Authorized Scag Service Dealer without charge for parts and labor during the periods specified below. This warranty is limited to the original purchaser and is not transferable. Proof of purchase will be required by the dealer to substantiate any warranty claims. All warranty work must be performed by an Authorized Scag Service Dealer.

This warranty is limited to the following specified periods from the date of the original retail purchase for defects in materials or workmanship:

- \* Wear items including drive belts, blades, hydraulic hoses and tires are warranted for ninety (90) days.
- \* Batteries are covered for ninety (90) days.
- \* Frame and structural components including oil reservoir and oil coolers are warranted for 2 years (Parts and labor).
- \* Cutter decks are warranted against cracking for a period of three (3) years. (Parts and labor 1st and 2nd year; Parts only 3rd year) The repair or replacement of the cutter deck will be at the option of Scag Power Equipment. We reserve the right to request components for evaluation. This warranty does not cover any mower that has been subject to misuse, neglect, negligence, or accident, or that has been operated in any way contrary to the operating instructions as specified in the Operator's Manual.
- \* Engines and electric starters are covered by the engine manufacturer's warranty period.
- \* Major drive system components are warranted for two (2) years by Scag Power Equipment. (Parts and labor) (Two year warranty exclude fittings, hoses, drive belts). The repair or replacement of the hydraulic pump or hydraulic motor will be at the option of Scag Power Equipment. This warranty does not cover any mower that has been subject to misuse, neglect, negligence, or accident, or that has been operated in any way contrary to the operating instructions as specified in the Operator's Manual.
- \* Electric clutches have a Limited Warranty for 2 year (Parts and labor).
- \* Spindle Assemblies have a Limited Warranty for three years (Parts and labor 1st year and 2nd; Parts only 3rd year).
- \* Any Scag product used for rental purposes is covered by a 90 day warranty.

The Scag mower, including any defective part must be returned to an Authorized Scag Service Dealer within the warranty period. The expense of delivering the mower to the dealer for warranty work and the expense of returning it to the owner after repair will be paid for by the owner. Scag's responsibility is limited to making the required repairs and no claim of breach of warranty shall be cause for cancellation or rescission of the contract of sale of any Scag mower.

**This warranty does not cover any mower that has been subject to misuse, neglect, negligence, or accident, or that has been operated in any way contrary to the operating instructions as specified in the Operator's Manual.** The warranty does not apply to any damage to the mower that is the result of improper maintenance, or to any mower or parts that have not been assembled or installed as specified in the Operator's Manual and Assembly Manual. The warranty does not cover any mower that has been altered or modified, changing performance or durability. In addition, the warranty does not extend to repairs made necessary by normal wear, or by the use of parts or accessories which, in the reasonable judgment of Scag, are either incompatible with the Scag mower or adversely affect its operation, performance or durability.

**Scag Power Equipment reserves the right to change or improve the design of any mower without assuming any obligation to modify any mower previously manufactured.** All other implied warranties are limited in duration to the two (2) year warranty period or ninety (90) days for mowers used for rental purpose. Accordingly, any such implied warranties including merchantability, fitness for a particular purpose, or otherwise, are disclaimed in their entirety after the expiration of the appropriate two year or ninety day warranty period. Scag's obligation under this warranty is strictly and exclusively limited to the repair or replacement of defective parts and Scag does not assume or authorize anyone to assume for them any other obligation. Some states do not allow limitations on how long an implied warranty lasts, so the above limitation may not apply to you.

Scag assumes no responsibility for incidental, consequential or other damages including, but not limited to, expense for gasoline, expense of delivering the mower to an Authorized Scag Service Dealer and expense of returning it to the owner, mechanic's travel time, telephone or telegram charges, rental of a like product during the time warranty repairs are being performed, travel, loss or damage to personal property, loss of revenue, loss of use of the mower, loss of time or inconvenience. Some states do not allow the exclusion or limitation of incidental or consequential damages, so the above limitation or exclusion may not apply to you. This warranty gives you specific legal rights, and you may also have other rights which vary from state to state.

# GARANTÍA LIMITADA - EQUIPO COMERCIAL

Toda pieza del cortacésped comercial Scag fabricada por Scag Power Equipment que, según criterio razonable de Scag, presente materiales o mano de obra defectuosos será reparada o reemplazada por un distribuidor autorizado Scag sin cargo por las piezas ni mano de obra durante los períodos especificados abajo. Esta garantía se limita al comprador original y no es transferible. Para acceder a cualquier reclamo de garantía, el distribuidor requerirá el comprobante de compra. Todo trabajo bajo garantía debe realizarlo un distribuidor autorizado Scag.

Con respecto a materiales o mano de obra defectuosos, esta garantía se limita a los siguientes períodos especificados a partir de la fecha de compra original:

- \* Los artículos desgastables, incluyendo correas de transmisión, cuchillas, mangueras hidráulicas y llantas, están garantizados por noventa (90) días.
- \* Las baterías están garantizadas por noventa (90) días.
- \* El bastidor y los componentes estructurales, incluyendo el depósito de aceite y los enfriadores de aceite, tienen una garantía de 2 años (Piezas y mano de obra).
- \* Las plataformas de corte están garantizadas contra grietas por un período de tres (3) años. (Piezas y mano de obra, primer y segundo año; piezas solamente, tercer año). La reparación o el reemplazo de la plataforma de corte estarán sujetos a discreción de Scag Power Equipment. Nos reservamos el derecho de solicitar componentes para su evaluación. Esta garantía no cubre ningún cortacésped que haya sido sometido a uso indebido, descuido, negligencia o accidente, o que se haya operado de manera distinta a la especificada en el manual del operador.
- \* Los motores eléctricos y los arrancadores están cubiertos por el período de garantía del fabricante del motor.
- \* Los componentes principales del sistema de transmisión están garantizados por Scag Power Equipment por dos (2) años. (Piezas y mano de obra) (La garantía de dos años no incluye las conexiones, mangueras, correas de transmisión). La reparación o el reemplazo de la bomba hidráulica o el motor hidráulico estarán sujetos a discreción de Scag Power Equipment. Esta garantía no cubre ningún cortacésped que haya sido sometido a uso indebido, descuido, negligencia o accidente, o que se haya operado de manera distinta a la especificada en el manual del operador.
- \* Los embragues eléctricos tienen una Garantía limitada de 2 años (Piezas y mano de obra).
- \* Los ensambles del eje tienen una Garantía limitada de 3 años (Piezas y mano de obra, primer y segundo año; piezas solamente, tercer año).
- \* Cualquier producto Scag que se utilice para alquiler está cubierto por una garantía de 90 días.

El cortacésped Scag, incluida cualquier pieza defectuosa, debe ser llevado a un distribuidor autorizado de Scag dentro del período de garantía. Los gastos incurridos en la entrega del cortacésped al distribuidor para que se realice el trabajo bajo garantía, así como los gastos de devolución del cortacésped al propietario después de la reparación, estarán a cargo del propietario. La responsabilidad de Scag se limita a la realización de las reparaciones requeridas y ninguna reclamación por incumplimiento de las obligaciones de garantía será causa de cancelación o revocación del contrato de venta del cortacésped Scag.

Esta garantía no cubre ningún cortacésped que haya sido sometido a uso indebido, descuido, negligencia o accidente, o que se haya operado de manera distinta a la especificada en el manual del operador. La garantía no será de aplicación en ningún caso de daño ocasionado al cortacésped como consecuencia de mantenimiento inadecuado o a cualquier cortacésped o piezas que no se hayan ensamblado o instalado de acuerdo con las especificaciones del manual del operador o el manual de montaje. La garantía no cubre ningún cortacésped que haya sufrido alteraciones o modificaciones que hayan afectado su funcionamiento o durabilidad. Asimismo, la garantía no se extiende a reparaciones necesarias por el desgaste normal o por el uso de piezas o accesorios que, según criterio razonable de Scag, sean incompatibles con el cortacésped Scag o afecten la operación, funcionamiento o durabilidad de éste.

**Scag Power Equipment se reserva el derecho de modificar o mejorar el diseño de cualquier cortacésped sin tener por ello obligación alguna de modificar cualquier cortacésped fabricado con anterioridad.** Cualquier otra garantía implícita se limita a un período de garantía de dos (2) años o noventa (90) días en el caso de cortacéspedes destinados a alquiler. Por consiguiente, se rechaza en su totalidad cualquier garantía implícita, incluidas las garantías de comerciabilidad, adecuación para un fin determinado, o de otro tipo, después de la finalización del correspondiente período de garantía de dos años o noventa días. La obligación de Scag en virtud de la presente garantía se limita estricta y exclusivamente a la reparación o el reemplazo de piezas defectuosas, y Scag no asume ni autoriza a ningún otro a asumir en su lugar ninguna otra obligación. La limitación antes mencionada no será de aplicación en aquellos estados en los que no esté permitida la limitación del período de validez de una garantía implícita.

Scag no asume responsabilidad alguna por daños incidentales, consecuentes ni de cualquier otro tipo, incluyendo, pero sin limitarse a, gasto de gasolina, gasto de entrega del cortacésped a un distribuidor autorizado Scag y gasto de su devolución al propietario, tiempo de viaje del mecánico, cargos por comunicaciones telefónicas o telegramas, alquiler de un producto similar durante el período en que se llevan a cabo las reparaciones bajo garantía, viajes, pérdida o daño de bienes personales, lucro cesante, daños ocasionados por la pérdida del uso del cortacésped, daños por la pérdida de tiempo o cualquier otro inconveniente. La limitación o exclusión antes mencionada no será de aplicación en aquellos estados en los que no esté permitida la exclusión o limitación de daños incidentales o consecuentes, así que la limitación o exclusión ya mencionadas pueden no aplicarse a su caso. La presente garantía le otorga derechos legales específicos, aparte de los derechos de los que usted goza, según el estado.



### 7.10 LLANTAS

Verifique las presiones de las llantas después de cada 8 horas de operación o diariamente.

Ruedas locas ..... 25 PSI  
 Ruedas motrices ..... 12 PSI

### 7.11 CUERPO, PLATAFORMA Y TAPICERÍA

#### PRECAUCIÓN:

No lave ninguna parte del equipo mientras está caliente. No lave el motor; use aire comprimido.

1. Después que cada uso, lave el cortacésped y la plataforma de corte. Use agua fría y limpiadores automotrices. No use limpiadores a presión.

2. No rocíe los componentes eléctricos.

3. Use una solución suave de jabón o un limpiador de vinilo/caucho para limpiar el asiento.

4. Repare las superficies de metal dañadas con la pintura de retoque Scag (N/P 48521) disponible en su distribuidor autorizado Scag. Encere el cortacésped con una cera automotriz para una máxima protección de la pintura.

3. Asegure las cuchillas de corte para evitar que giren, (Use la herramienta opcional Blade Buddy, N/P 9212, para ayudarlo a asegurar las cuchillas de corte) y quite la tuerca del perno de fijación de la cuchilla. Quite la cuchilla de corte, el perno y el espaciador del eje. (Figura 7-7).

**-NOTA-**

Para quitar el perno de la cuchilla del eje de corte tendrá que levantarse ligeramente la parte frontal de la máquina.

4. Para instalar la nueva cuchilla de corte, coloque la arandela plana en el perno de la cuchilla y deslice el perno en el agujero de la cuchilla.

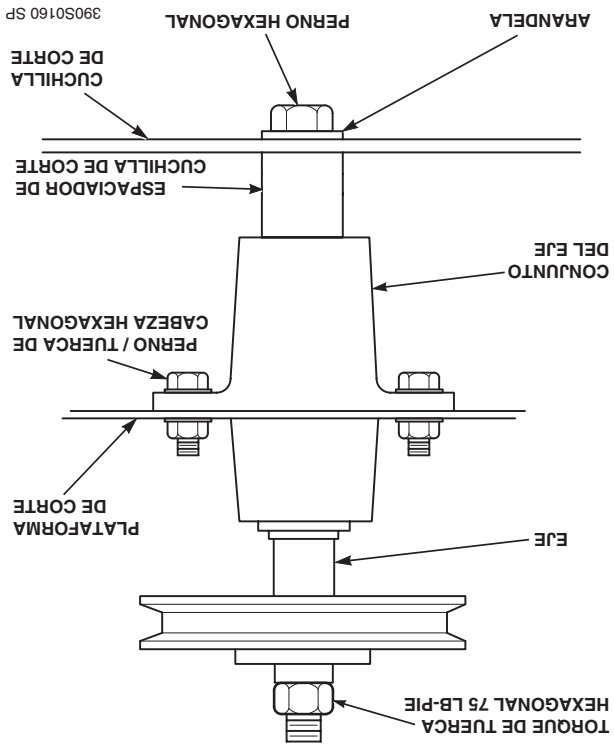


Figura 7-7 Reemplazo de la cuchilla

**-NOTA-**

Asegúrese que la cuchilla se instale con la aleta de izamiento hacia la parte superior de la plataforma de corte.

5. Instale el espaciador en el perno de la cuchilla e introduzca el perno en el eje de corte.

6. Instale la tuerca hexagonal en el perno de la cuchilla en la parte superior del eje de corte. Evite el giro de las cuchillas con un apriete de 75 lbs-pie. (Vea la Figura 7-7).

**7.8 CORREAS DE TRANSMISIÓN**

Todas las correas de transmisión están cargadas por resortes y son auto tensionantes, pero después de las primeras 2, 4, 8 y 10 horas de operación, debe verificarse su correcta alineación y revisar su desgaste. Después, verifique las correas después de cada 40 horas de operación o semanalmente, lo que ocurra primero.

**-NOTA-**

*Si experimenta un frecuente desgaste o rotura de correas, consulte con su distribuidor autorizado Scag para el ajuste de la correa.*

**7.9 CUCHILLAS DE CORTE**

**A. Inspección de la cuchilla**

1. Quite la llave de encendido antes de dar servicio a las cuchillas.
2. Levante la plataforma del cortacésped a la posición más alta. Coloque el pin de amarre en la posición alta de altura de corte para evitar que caiga la plataforma.

**ADVERTENCIA:**

**Siempre lleve la protección apropiada para manos y ojos al trabajar con cuchillas de corte.**

3. Verifique que las cuchillas de corte estén rectas. Si las cuchillas de corte parecen estar dobladas, tendrán que ser reemplazadas.

**ADVERTENCIA:**

**No trate de enderezar una cuchilla doblada, y nunca suelde una cuchilla rota o rajada. Siempre reemplácela con una cuchilla nueva para garantizar seguridad.**

4. Si el borde de corte de una cuchilla está desafilado o tiene muescas, debe afilarse. Quite las cuchillas para afilarlas. Vea "Reemplazo de la cuchilla".

**-NOTA-**

*Mantenga afiladas las cuchillas. Cortar con cuchillas desafiladas no sólo produce un mal corte de césped, sino que disminuye la velocidad de corte del cortacésped y causa un desgaste adicional del motor y del eje de la cuchilla.*

**B. Afilado de las cuchillas**

**-NOTA-**

*Si es posible, use una lima para afilar la cuchilla. Si usa una esmeriladora, puede quemar la cuchilla.*

**-NOTA-**

*No afile las cuchillas más de 1/3 del ancho de la cuchilla.*

1. Afíle el borde de corte en el mismo bisel que el original (Vea la Figura 7-6). Sólo afíle la parte superior del borde de corte para mantener el filo.

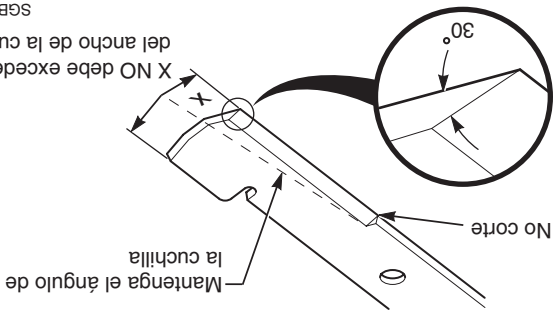


Figura 7-6 Afilado de las cuchillas

2. Revise el balance de la cuchilla. Si las cuchillas están desbalanceadas, puede producirse vibración y desgaste prematuro. Consulte con su distribuidor autorizado Scag para balancear la cuchilla o por herramientas especiales si prefriere balancear sus cuchillas usted mismo.

**C. Reemplazo de la cuchilla**

**ADVERTENCIA:**

**Siempre lleve la protección apropiada para manos y ojos al trabajar con cuchillas de corte.**

1. Quite la llave de encendido antes de reemplazar las cuchillas.
2. Levante la plataforma del cortacésped a la posición más alta. Coloque el pin de amarre en la posición alta de altura de corte para evitar que caiga la plataforma.

**ADVERTENCIA:** 

El líquido de la batería contiene ácido sulfúrico que es TÓXICO y puede causar GRAVES QUEMADURAS QUÍMICAS. Evite el contacto del líquido con los ojos, la piel, o con la ropa. Use equipo de protección apropiado cuando manipule baterías. **NO INCLINE** ninguna batería más de 45° en ninguna dirección. Si ocurre contacto con el líquido, siga primero las sugerencias de primeros auxilios.

**PRIMEROS AUXILIOS PARA ELECTROLITO DE BATERÍA**

**CONTACTO EXTERNO** — Enjuague con agua.

**OJOS** — Enjuague con agua al menos durante 15 minutos y obtenga atención médica inmediatamente.

**INTERNO** — Beba grandes cantidades de agua. Continúe con leche de magnesia, huevos batidos, o aceite vegetal. Obtenga atención médica inmediatamente. En caso de contacto interno, **NO PROPORCIONE** líquidos que induzcan al vómito.

**A. Carga de la batería**

Consulte el manual del cargador de batería para instrucciones específicas.

Bajo condiciones normales el alternador del motor no tendrá problemas para mantener la carga de la batería. Si la batería se ha descargado completamente por un período largo de tiempo, el alternador puede no ser capaz de recargar la batería, y se necesitará un cargador de baterías.

**NO** cargue una batería congelada. Puede estallar y causar lesiones. Permita que la batería se entibie antes de conectar un cargador.

Siempre que sea posible, quite la batería del cortacésped antes de cargarla y asegúrese de que el electrolito cubre las placas en todas las celdas.

**ADVERTENCIA:** 

**LAS BATERÍAS PRODUCEN GASES EXPLOSIVOS.** Cargue la batería en un espacio bien ventilado de modo que se puede disipar los gases producidos durante la carga.

Las tasas de carga entre 3 y 50 amperios son satisfactorias si no provocan excesivos gases, si no arrojan demasiado electrolito o si la batería no está muy caliente (encima de 125° F). Si se produce derrame de electrolito o excesiva producción de gas, o si la temperatura excede 52° C (125° F), la tasa de carga debe reducirse o detenerse temporalmente para permitir el enfriamiento.

**B. Arranque por puente**

1. La batería auxiliar de arranque debe ser de 12 voltios. Si se usa un vehículo para el arranque por puente, debe tener un sistema de tierra negativo.

2. Cuando conecte los cables del puente, conecte el cable positivo al poste positivo de la batería, y luego el cable negativo al poste negativo de la batería.



### C. Cambio del elemento del filtro de aceite hidráulico

1. Llene el depósito a 3-1/4" de la parte superior del rellenador con aceite para motor SAE 20W50.
2. Reemplace la tapa de relleno del depósito. Arranque el motor y conduzca hacia adelante y hacia atrás durante dos minutos. Verifique el nivel de aceite en el depósito. Si es necesario, agregue aceite al depósito.
3. Cambio del elemento del filtro de aceite

El filtro de aceite se debe cambiar después de cada 500 horas de operación o anualmente, lo que ocurra primero.

1. Quite el elemento del filtro de aceite (Figura 7-3, Página 31) y deséchelo adecuadamente. Llene el nuevo filtro con aceite limpio de motor SAE 20W50 e instálelo. Apriételo a mano solamente.
2. Opere el motor a la velocidad de vacío con la palanca de control de velocidad en neutro durante cinco minutos.
3. Verifique el nivel de aceite en el tanque hidráulico. Debe estar a 3-1/4" pulgadas de la parte superior del cuello del rellenador. Si es necesario, agregue aceite para motor SAE 20W50.

### 7.4 ACEITE DEL MOTOR

#### A. Verificación del nivel de aceite del cárter

El nivel del aceite del motor se debe verificar después de cada 8 horas de operación o diariamente como se indica en el manual del operador del motor proporcionado con este cortacésped.

#### B. Cambio de aceite del cárter

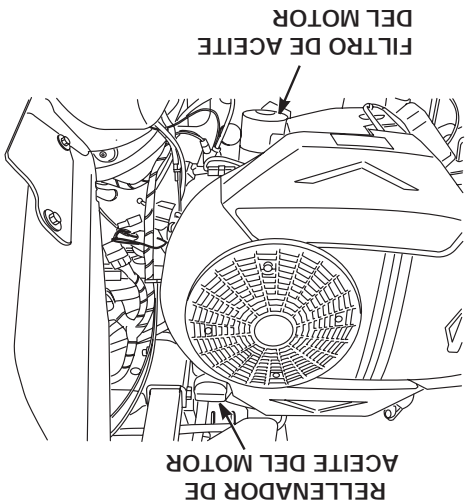
Después de las 20 primeras horas de operación, cambie el aceite del cárter y reemplace el filtro de aceite. Después, cambie el aceite después de cada 100 horas de operación o cada dos semanas, lo que ocurra primero. Consulte el manual del operador del motor proporcionado con este cortacésped para instrucciones.

### 7.5 SISTEMA DE COMBUSTIBLE DEL MOTOR

#### C. Cambio de filtro de aceite del motor

Después de las primeras 5 horas de operación, reemplace el filtro de aceite del motor. Después, reemplace el filtro de aceite cada 200 horas de operación o cada mes, lo que ocurra primero. Consulte el manual del operador del motor para instrucciones.

Figura 7-5 Rellenador/varilla de aceite y filtro del motor Briggs & Stratton



#### A. Llenado del tanque de combustible

Llene el tanque de combustible al inicio de cada día de operación hasta 1 pulgada debajo del cuello del rellenador. No llene demasiado. Use gasolina limpia, reciente y sin plomo, con un octanaje mínimo de 87.

Para evitar lesiones personales o daños a la propiedad, tenga mucho cuidado al manipular gasolina. La gasolina es extremadamente inflamable y los vapores son explosivos.

1. Apague todos los cigarrillos, puros, pipas y otras fuentes de ignición.

**PELIGRO:**  
Para evitar quemaduras, permita que el cortacésped se enfríe antes de quitar la tapa del tanque de combustible y rellenar.

**7.3 SISTEMA HIDRÁULICO**

**A. Verificar el nivel de aceite hidráulico**

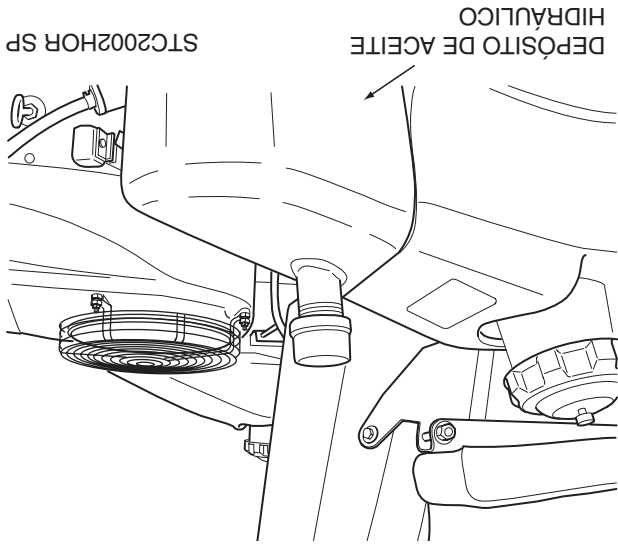
El nivel del aceite hidráulico se debe verificar después de las primeras 10 horas de operación. Después, verifique el aceite después de cada 200 horas de operación de la máquina o mensualmente, lo que ocurra primero.

**-IMPORTANTE-**

*Si el nivel de aceite se encuentra bajo de manera constante, revise si existen pérdidas y corrija las inmediatamente.*

1. Limpie la suciedad y las sustancias contaminantes de alrededor de la tapa del depósito. Quite la tapa del depósito de aceite hidráulico.

2. Verifique visualmente el nivel de aceite hidráulico. El aceite hidráulico debe estar por lo menos a 3" pulgadas de la parte superior del cuello del llenador. Si el nivel no se puede determinar visualmente, use una cinta de medida limpia para verificar el nivel. Si el fluido está bajo, agregue aceite para motor 20W50. **NO LLENAR DEMASIADO;** (llenar demasiado el depósito de aceite puede causar pérdidas de aceite).
3. Limpie la tapa de relleno y tape el depósito.



**Figura 7-2 Depósito de aceite hidráulico**

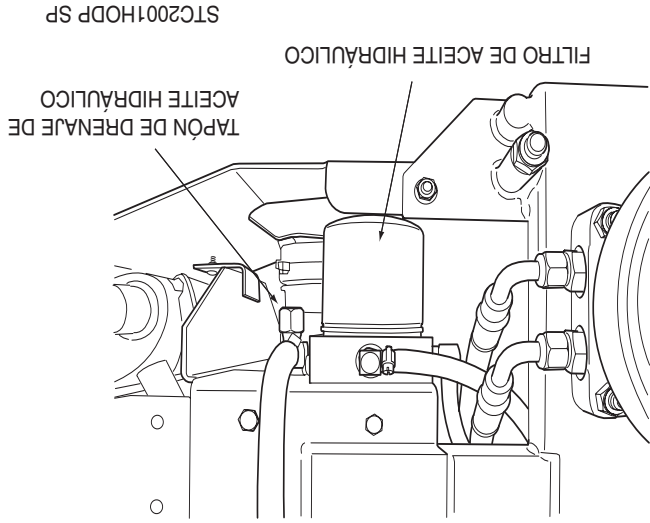
**B. Cambio de aceite hidráulico**

El aceite hidráulico se debe cambiar cada 500 horas o en forma anual, lo que ocurra primero. El aceite también se debe cambiar si se ha vuelto de color negro o lechoso. Un color negro y/o un olor rancio indican generalmente un posible recalentamiento del aceite, y un color lechoso indica habitualmente la presencia de agua.

**-IMPORTANTE-**

*El aceite hidráulico se debe cambiar si se nota la presencia de agua o se percibe un olor rancio.*

1. Estacione el cortacésped en una superficie plana y detenga el motor.
2. Coloque un recipiente adecuado debajo del filtro de aceite hidráulico. Incline el asiento hacia adelante. Quite la tapa de llenado del depósito y el tapón del drenaje del fondo de la T de drenaje en el lado frontal de la base del filtro. (Vea la Figura 7-3). Permita drenar el fluido en el recipiente y deséchelo apropiadamente.



**Figura 7-3 Filtro de aceite hidráulico y Tapón de drenaje**

3. Vuelva a instalar el tapón de drenaje en la T y asegúrese de que esté ajustado.

**-NOTA-**

Antes de rellenar el depósito de aceite hidráulico, debe cambiar el filtro de aceite tal como se describe en la sección C - Cambio del elemento del filtro de aceite hidráulico en la próxima página.

### CONEXIONES DE GRASA DE LUBRICACIÓN

Intervalo de lubricación

- Grasa blanca de litio MP 2125  
 (40 horas/semanalmente)
- Grasa de chasis  
 (100 horas/cada dos meses)
- Grasa de chasis  
 (200 horas/mensualmente)
- Grasa de chasis  
 (500 horas/annualmente)

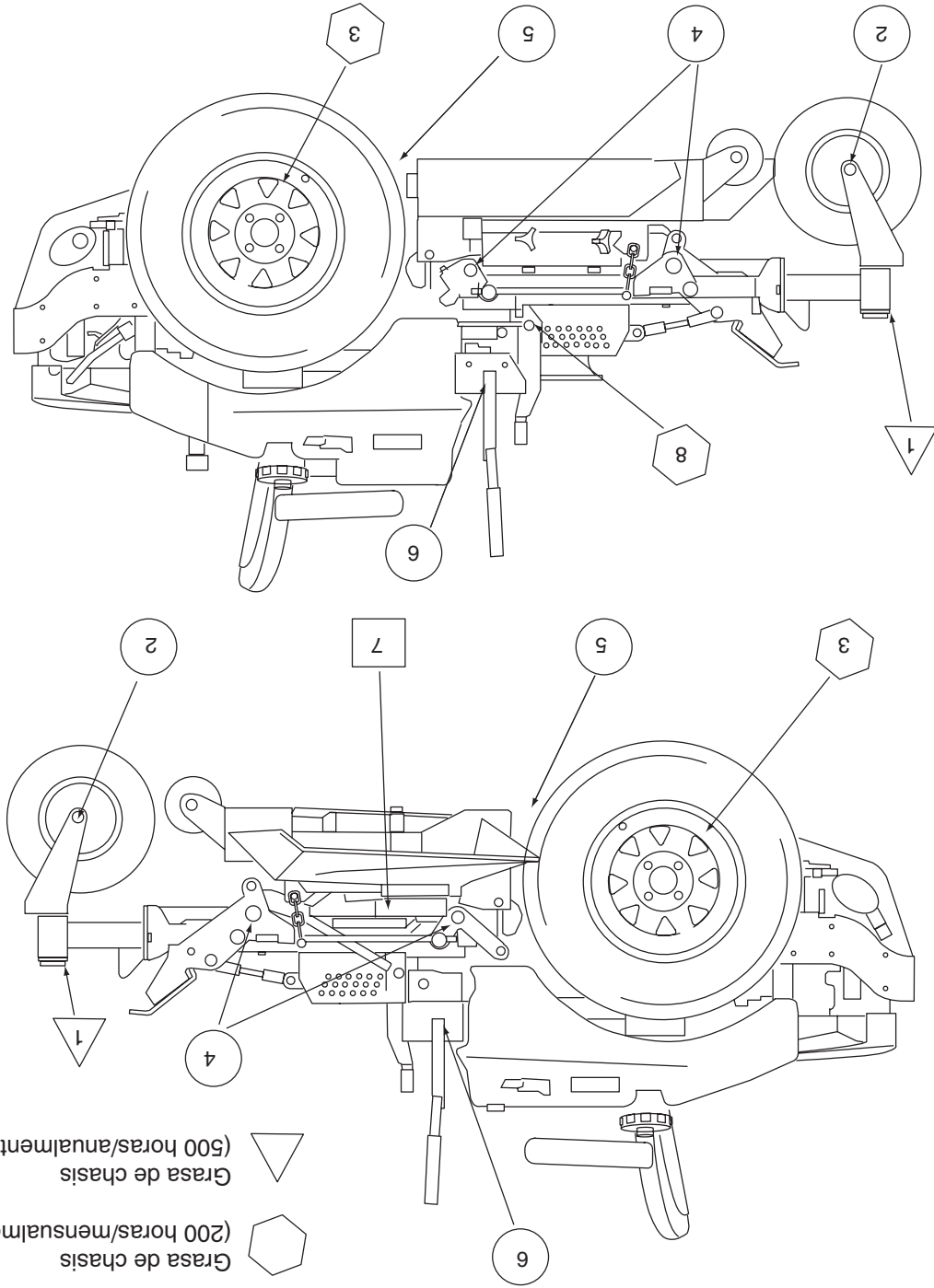


Figura 7.1 Lubricación de puntos de conexión



**TABLA DE MANTENIMIENTO - INTERVALOS DE SERVICIO RECOMENDADOS (CONTINUACIÓN)**

Observaciones	Procedimiento	HORAS					
		8	40	100	200	500	(Primeros 10)
Vea el párrafo 7.2	Aplique grasa a las conexiones		X				
	Verifique que la tornillería esté bien ajustada		X				
Vea el párrafo 7.4	Cambie el filtro de aceite del motor		X				
Vea el párrafo 7.3	Verifique el nivel del aceite hidráulico		X				
Vea el párrafo 7.5	Reemplace el filtro de combustible del motor	X					
Vea el párrafo 7.3	Drene el sistema hidráulico y reemplace el aceite hidráulico	X					
Vea el párrafo 7.3	Reemplace el filtro de aceite hidráulico	X					
Consulte con el distribuidor Scag	Ajuste el embrague eléctrico PTO	X					

**7.2 LUBRICACIÓN - TABLA DE LUBRICACIÓN DE ACCESORIOS (VEA LA FIGURA 7-1)**

UBICACIÓN	DE LUBRICACIÓN	LUBRICANTE	LUGARES
1	Pivote de rueda loca *	500 horas/annualmente	Grasa de chasis
2	Rodamientos de la rueda loca	100 horas/cada dos semanas	Grasa de chasis
3	Accionador de freno	200 horas/mensualmente	Grasa de chasis
4	Balancines de plataforma de corte	100 horas/cada dos semanas	Grasa de chasis
5	Brazos de empuje de plataforma de corte	100 horas/cada dos semanas	Grasa de chasis
6	Pivote de control	100 horas/cada dos semanas	Grasa de chasis
7	Eje de la plataforma de corte	40 horas/semanalmente	+Grasa blanca de litio MP 2125
8	Mango del freno	200 horas/mensualmente	Grasa de chasis

\* **PROCEDIMIENTO:** Quite la tapa de la grasa, número de parte 481559. Quite el tapón, número de parte 482028-01, e instale un engrasador. Aplique grasa a la conexión hasta que aparezca nueva grasa en la parte superior de la extensión de la rueda libre. Quite el engrasador y vuelva a instalar el tapón. Vuelva a instalar la tapa de grasa. Se recomienda usar la herramienta especial número de parte 47007 para la instalación de la tapa de grasa.

+ Grasas compatibles:

- Mobilix #2 encontrada en estaciones de servicio Mobil
- Ronex MP encontrada en estaciones de servicio Exxon
- Super Lube MEP #2 y Super Stay-M #2 encontradas en estaciones de servicio Conoco
- Shell Alvania #2 encontrada en estaciones de servicio Shell
- Lidok EP #2 encontrada en almacenes industriales

## MANTENIMIENTO

7.1 TABLA DE MANTENIMIENTO - INTERVALOS DE SERVICIO RECOMENDADOS

Observaciones	Procedimiento	HORAS																				
		8	20	40	100	200	500	(Primeros 10)														
	Verifique que toda la tornillería esté bien ajustada																					
	Verifique el nivel del aceite hidráulico																					
	Verifique la correcta alineación de todas las correas																					
	Verifique que no haya fugas en las mangueras hidráulicas Tenga mucho cuidado al verificar las mangueras hidráulicas																					
	Revise si el cinturón de seguridad presenta deterioro																					
	Verifique el nivel de aceite del motor																					
	*Limpie el cortacésped																					
	Verifique el estado de las cuchillas																					
	Aplique grasa a las conexiones																					
	Revise la presión de las llantas																					
	Cambie el aceite del motor y el filtro																					
	Verifique el nivel de electrolito de la batería, limpie los bornes y los cables de la misma																					
	Verifique la correcta alineación de las correas																					
	Aplique grasa a las conexiones																					
	Cambie el aceite del motor																					
	*Limpie el elemento del filtro de aire																					

\* Realice con más frecuencia estos procedimientos de mantenimiento bajo condiciones extremas de polvo o suciedad.

4. Vuelva a instalar los accesorios de montaje como se muestra. (Vea las Figuras 6.9 hasta 6.11). Apriete los tornillos con un torque de 39 pies-lb.

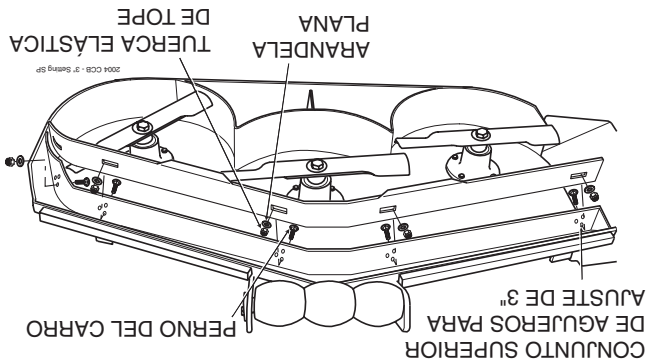


Figura 6-9. Posición 3" del deflector de corte personalizado

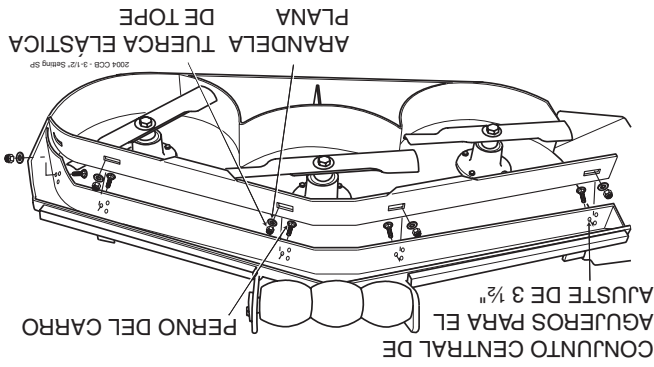


Figura 6-10. Posición 3-1/2" del deflector de corte personalizado

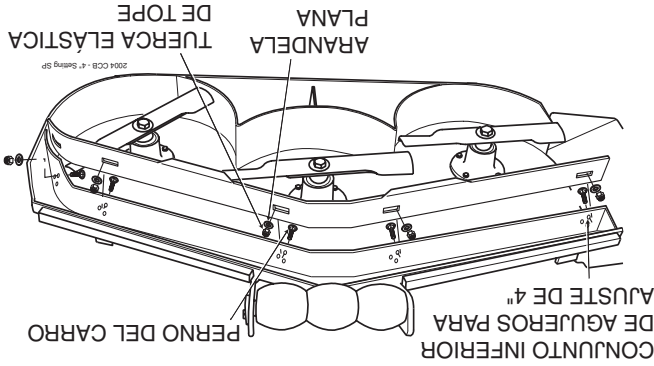


Figura 6-11. Posición 4" del deflector de corte personalizado

A. Posición 3" - el deflector se instala usando el conjunto superior de agujeros en el deflector frontal soldado dentro de la plataforma de corte. (Vea la Figura 6.9). En esta posición la plataforma de corte Velocity-Plus entregará la mejor calidad de corte en césped muy alto, tieso y difícil de cortar.

B. Posición 3-1/2" - el deflector se instala usando el conjunto central de agujeros en el deflector frontal soldado dentro de la plataforma de corte. (Vea la Figura 6.10). Se puede usar para cortes de propósito general. Colocar el deflector de corte personalizado en la posición 3-1/2" le da una adecuada combinación de desempeño de corte en todos los tipos de césped.

C. Posición 4" (ajuste de fábrica) - el deflector se instala usando el conjunto inferior de agujeros en el deflector frontal soldado dentro de la plataforma de corte. (Vea la Figura 6.11). La colocación del deflector en el ajuste de 4" mejorará el corte en otoño (recogida de hojas) y reducirá los "soplos" en la plataforma de corte.

Para ajustar la altura del deflector de corte personalizado:

1. Coloque la plataforma de corte en posición de transporte.
2. Quite los accesorios que aseguran el deflector de corte personalizado a la plataforma de corte. (Vea la Figura 6.8).

**-NOTA-**

La ubicación de los accesorios usados en las ilustraciones es sólo para referencia. La ubicación de los accesorios puede variar de acuerdo con el tamaño de la plataforma de corte.

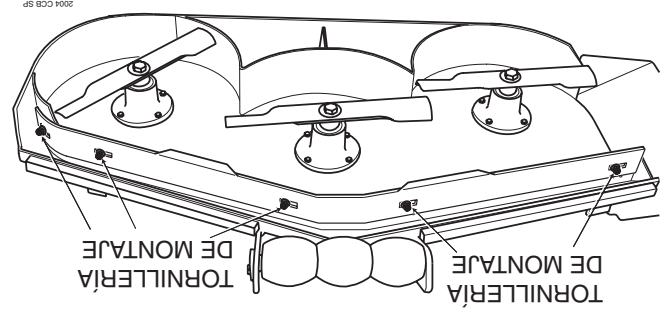


Figura 6-8. Deflector de corte personalizado

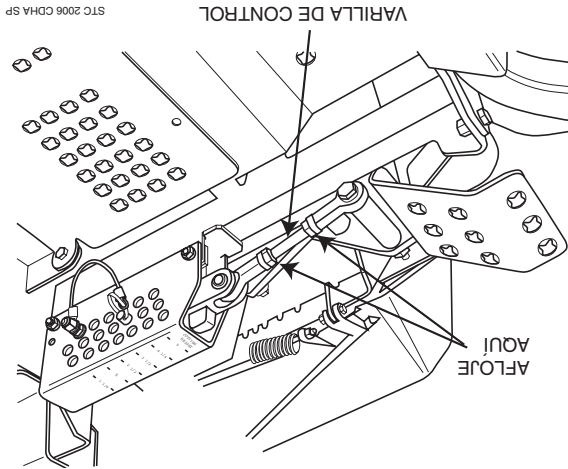
3. Mueva el deflector de corte personalizado a la posición deseada. (Vea las Figuras 6.9 hasta 6.11 para la ubicación).

Para evitar la oscilación de la plataforma de corte, las cuatro cadenas suspendidas de la plataforma de corte deben estar tensionadas. Si las cuatro cadenas no están bajo tensión y la plataforma oscila, debe reajustar la plataforma de corte como se explicó en los procedimientos mencionados anteriormente. Todas las medidas deben tomarse desde el borde superior de la plataforma, ya que las plataformas Velocity Plus tienen un borde inferior desaparejo.

**Altura de la plataforma de corte**

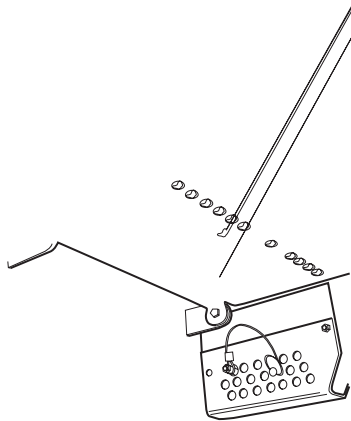
El ajuste de la altura de la plataforma de corte se realiza para asegurar que la misma corte en la altura señalada en el indicador. Para verificar la altura apropiada de la plataforma, asegúrese que el cortacésped esté en una superficie plana y a nivel y que las llantas estén infladas apropiadamente.

1. Coloque la plataforma de corte en posición de transporte. Afloje las contratuercas en ambos extremos de la varilla de control de la altura de plataforma. (Vea la Figura 6-6).



**Figura 6-6. Ajuste de la altura de la plataforma de corte**

2. Gire la varilla de control (Vea la Figura 6-6) hasta que haya un espacio de 1/4" entre el tope posterior de la plataforma y la parte superior de la plataforma de corte. (Vea la Figura 6-7). Apriete las contratuercas en la varilla de control.



**Figura 6-7. Tope de la plataforma de corte**

3. Verifique la altura de corte de la plataforma de corte colocando el pin de amarre en la posición "3" en el indicador de la altura de corte. Libere la plataforma de la posición de transporte y permita que se desplace a la posición de la altura de corte de 3".
4. Verifique la medida desde el suelo hasta la punta de la cuchilla de corte. Si la medida no se encuentra en 3", puede realizarse un ajuste utilizando la varilla de control de altura de la plataforma. (Vea la Figura 6-6).

**-NOTA-**

*Si se tuvo que realizar un ajuste, asegúrese que la plataforma de corte se pueda bloquear fácilmente en la posición de transporte.*

**Ajuste del deflector de corte personalizado**

El deflector de corte personalizado está diseñado para entregar un óptimo flujo de aire y un desempeño de corte superior en cualquier tipo de césped. El deflector personalizado puede levantarse o bajarse para personalizar en forma precisa el desempeño de la plataforma para el tipo de césped que se está cortando. El deflector se puede colocar en tres (3) posiciones diferentes para el desempeño óptimo.

## 6.6 AJUSTES DE LA PLATAFORMA DE CORTE

El nivel de la plataforma de corte, la inclinación y la altura se ajustan en fábrica. Sin embargo, si deben realizarse estos ajustes alguna vez, los siguientes procedimientos lo ayudarán a obtener el ajuste apropiado de la plataforma de corte.

### -NOTA-

*Antes de proceder con los ajustes de la plataforma de corte, asegúrese de que todas las llantas se inflen apropiadamente.*

### Nivel de la plataforma de corte

La plataforma de corte debe ser plana de lado a lado para un desempeño apropiado de corte. Para verificar el nivel, asegúrese que el cortacésped esté en una superficie plana y nivelada, las llantas estén infladas apropiadamente y la plataforma de corte esté fijada en la altura de corte más común que usará. En el lado derecho de la máquina, verifique la distancia desde la parte superior de la plataforma de corte hasta el piso. Luego revise la distancia desde la parte superior de la plataforma de corte hasta el piso en el lado izquierdo de la máquina. Ambas medidas deben ser iguales. Si las dos medidas son diferentes, el nivel de la plataforma de corte se debe ajustar como sigue:

1. En el lado frontal del lado izquierdo de la plataforma de corte, ubique el soporte de ajuste de la misma (Vea la Figura 6-4).

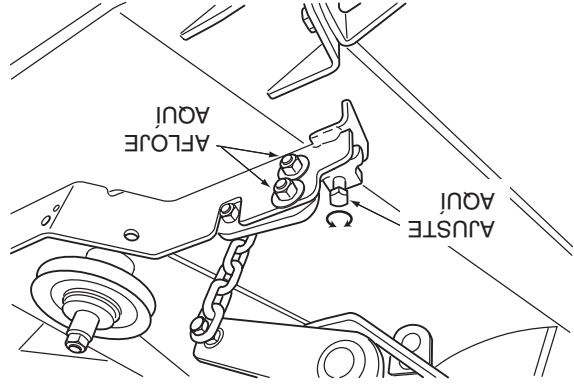


Figura 6-4. Ajuste de la plataforma de corte

2. Afloje las dos tuercas elásticas de tope. Regule el perno hacia arriba o hacia abajo en el soporte de ajuste para ajustar la plataforma de corte hasta que la distancia desde la parte inferior de la misma al piso sea igual que la medida del lado derecho de la máquina.

3. Apriete las dos tuercas elásticas de tope para asegurar la plataforma de corte en la posición apropiada.

### Inclinación de la plataforma de corte

La inclinación de la plataforma de corte debe ser igual entre la parte frontal y posterior de la misma para un desempeño de corte apropiado. Para verificar la inclinación apropiada de la plataforma, asegúrese que el cortacésped esté en una superficie plana y a nivel y que las llantas estén infladas apropiadamente. Verifique la distancia desde la parte superior de la plataforma de corte hasta el piso en el lado posterior del lado derecho de la plataforma de corte directamente detrás de las cadenas suspendidas de la plataforma de corte. Luego verifique la distancia desde la parte superior de la plataforma de corte hasta el piso en el lado izquierdo de la plataforma de corte. Si la medida en la parte frontal de la plataforma no es la misma, la inclinación de la plataforma debe ajustarse de la manera siguiente:

1. Afloje las tuercas de bloqueo en ambas varillas de ajuste. (Vea la Figura 6-5).
2. Usando unos alicates de mandíbula ajustable, gire las varillas de ajuste en la parte no roscada de la varilla hasta que la plataforma esté igual (desde la parte frontal a la posterior) a ambos lados de la plataforma de corte. Apriete ambas tuercas de bloqueo.

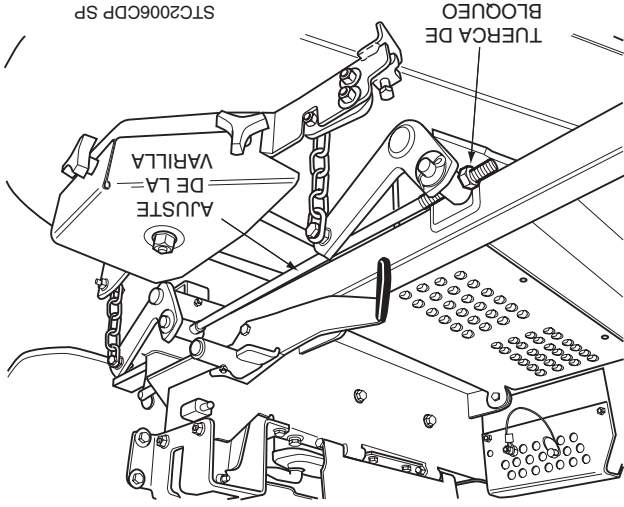




Figura 6-5. Ajuste de la plataforma de corte



**Ajuste de alineación**

**PRECAUCIÓN:**  Detenga el motor y quite la llave del encendido antes de realizar cualquier ajuste. Espere que todas las partes móviles se detengan antes de comenzar a trabajar.

**PRECAUCIÓN:**  El motor y la unidad motriz pueden calentarse durante la operación, causando heridas por quemaduras. Permita que el motor y los componentes de transmisión se enfríen antes de realizar cualquier ajuste.

1. Antes de proceder con este ajuste, asegúrese que las ruedas locas giren libremente y que la presión de las llantas en las ruedas motrices es correcta. Si la presión de la llanta no es correcta, la máquina tirará al lado con la presión más baja.

1. Si a máxima velocidad el cortacésped se tira a la derecha, es una indicación de que la rueda izquierda gira más rápido que la derecha. Para ajustar esta condición, proceda de la manera siguiente:

A. Detenga la máquina y coloque las palancas de control de dirección en la posición neutral. Afloje las tuercas de bloqueo que aseguran las juntas de rótula en cada extremo de la varilla de control de dirección del lado izquierdo. Gire la varilla de control para acortar la varilla y apriete las tuercas de bloqueo. Esto causará que la varilla de control golpee menos la bomba del lado izquierdo, disminuyendo la velocidad de la rueda de dicho lado. (Vea la Figura 6-3).

**-NOTA-**

Si después de realizar el ajuste tal como se explicó en el paso 1A, la máquina avanza lentamente hacia adelante o hacia atrás, el ajuste neutral debe hacerse de la manera que se describe en la página 23.

2. Si a máxima velocidad el cortacésped se tira a la izquierda, es una indicación de que la rueda derecha gira más rápido que la izquierda. Para ajustar esta condición, proceda de la manera siguiente:

A. Detenga la máquina y coloque las palancas de control de dirección en la posición neutral.

Afloje las tuercas de bloqueo que aseguran las juntas de rótula en cada extremo de la varilla de control de dirección del lado derecho. Gire la varilla de control para acortar la varilla y apriete las tuercas de bloqueo. Esto causará que la varilla de control golpee menos la bomba del lado derecho, disminuyendo la velocidad de la rueda del lado derecho. (Vea la Figura 6-3).

**-NOTA-**

Si después de realizar el ajuste tal como se explicó en el paso 2A, la máquina avanza lentamente hacia adelante o hacia atrás, el ajuste neutral debe hacerse de la manera que se describe en la página 23.

**6.3 AJUSTES DE LOS CONTROLES DE ACELERACIÓN Y ESTRANGULACIÓN**


Estos ajustes deben ser realizados por su distribuidor Scag para asegurar la operación apropiada y eficiente del motor. Si requiere cualquier ajuste, contacte con su centro de servicio autorizado Scag.

**6.4 AJUSTE DE LA CORREA**

Todas las correas de transmisión y las correas de la plataforma de corte están cargadas por resortes y son auto tensionantes. Deben revisarse periódicamente la correcta alineación y el desgaste de las correas.

**6.5 ALINEACIÓN DE LA CORREA**

La alineación de la correa es importante para el desempeño apropiado de su cortacésped Scag. Si experimenta un frecuente desgaste o rotura de correas, consulte con su centro de servicio autorizado Scag.

**ADVERTENCIA:**  Antes de quitar cualquier guarda, apague el motor y retire la llave de encendido.

6.2 AJUSTES DE DESPLAZAMIENTO

Se tendrán que realizar ajustes neutrales o de alineación si:

- A. Las palancas de control de dirección están en la posición neutral y la máquina se arrastra hacia adelante o hacia atrás. (Vea Ajuste neutral).
- B. Las palancas del control de dirección están en la posición completamente hacia adelante y el cortacésped se tira a un lado o al otro al desplazarse hacia adelante. (Ajuste de alineación, Vea página 24).

Ajuste neutral

1. Asegúrese de que las palancas de la válvula de descarga estén en la posición de operación y que las palancas de control de dirección estén en la posición neutral de bloqueo.
2. Con un operador en el asiento, arranque el motor y libere el freno de estacionamiento.

3. Opere el motor a la máxima velocidad de operación y compruebe si la máquina se arrastra hacia adelante o hacia atrás.
4. Ajuste la rueda izquierda arrojando las contratuercas en la varilla de control de dirección y gire la varilla hasta que la rueda motriz gire hacia adelante. Gire la varilla en sentido contrario hasta que la rueda motriz deje de moverse. Gire la varilla 1/2 vuelta adicional hacia atrás. (Vea la Figura 6-3).
5. Apriete las contratuercas y repita el proceso para la rueda izquierda.
6. Accione las palancas de control de dirección hacia adelante y en reversa y regrese las a la posición neutral.
7. Compruebe que las ruedas motrices permanezcan en neutral y ajuste de nuevo si es necesario.
8. Compruebe que las palancas de control de dirección golpeen el tope antes de que las bombas alcancen la carrera completa. Ajuste como lo considere necesario.

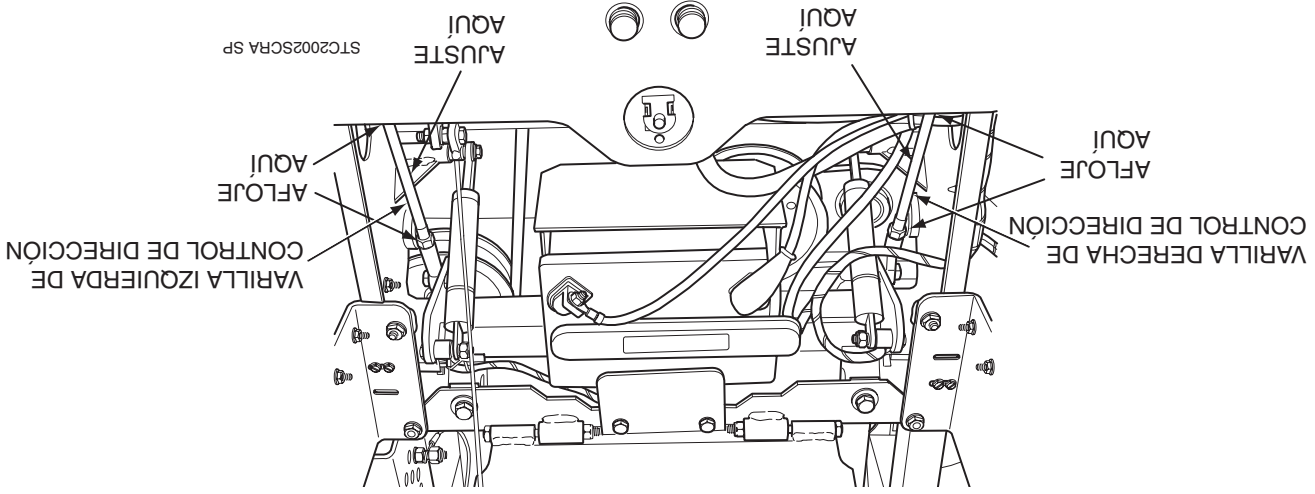


Figura 6-3. Ajuste de varillas de control de dirección

## AJUSTES

### 6.1 AJUSTE DEL FRENO DE ESTACIONAMIENTO

#### ADVERTENCIA:

NO opere el cortacésped si el freno de estacionamiento no está en correcto estado de funcionamiento. Podrían causarse lesiones graves.

El acople del freno de estacionamiento debe ajustarse cuando la palanca del freno de estacionamiento se coloca en la posición "ENGAGE"; el freno de estacionamiento no evitará que el cortacésped se mueva. Si los procedimientos siguientes no permiten accionar el freno de estacionamiento apropiadamente, contacte con su distribuidor Scag para cualquier ajuste adicional de freno.

1. Coloque un gato de piso debajo de la parte posterior de la máquina. Levante la máquina y apóyela para evitar que caiga. Bloquee las ruedas locas para evitar que la máquina se mueva. Quite las ruedas motrices.

2. Con el freno en la posición accionada, verifique la distancia entre la tuerca inferior de la varilla del accionador de freno y la palanca del accionador de freno en el lado izquierdo de la máquina. La distancia debe ser 1/8" (Vea la Figura 6-2).
3. Si la distancia no coincide con la medida especificada, arroje la contratuera en la horquilla con ojalas situada sobre la varilla del accionador del freno (Ver la Figura 6-2).

4. Gire el perno en el fondo de la palanca del accionador de freno hasta que se alcance la medida de 1/8" y apriete la contratuera en la horquilla con ojalas en la varilla del accionador de freno. (Vea la Figura 6-2). Si la medida de 1/8" no puede alcanzarse ajustando la varilla del accionador de freno, ajuste la varilla de control del freno. Realice el ajuste arrojando la contratuera en ambos extremos de la varilla de control del freno y girando la varilla hasta alcanzar la distancia apropiada. (Vea la Figura 6-1).
5. Repita los pasos 2-4 en el lado derecho de la máquina.
6. Reemplace las ruedas motrices y pruebe el freno.

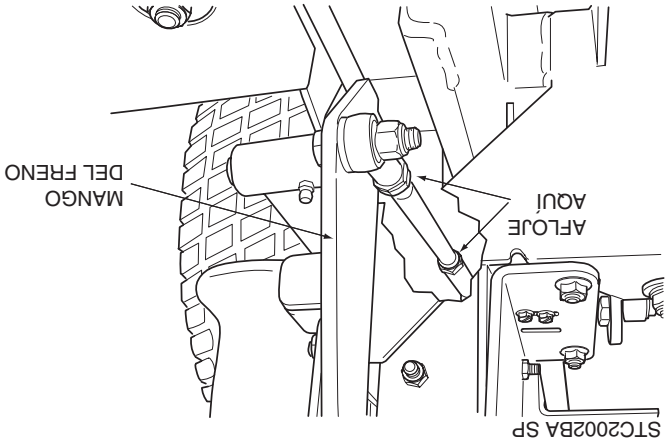


Figura 6-1. Ajuste de freno

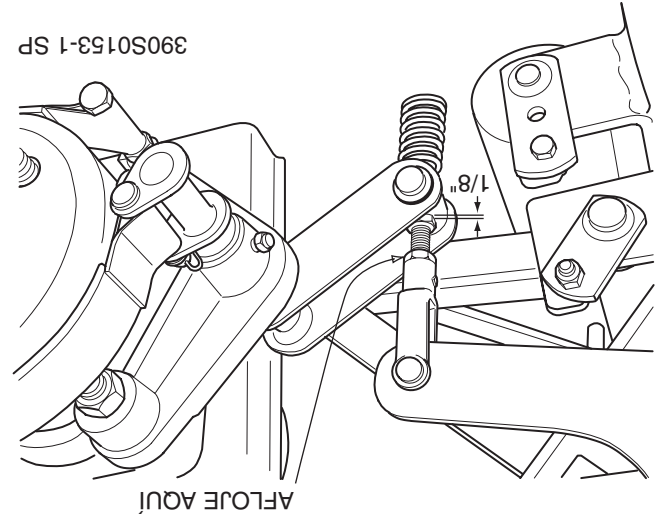


Figura 6-2. Ajuste de la varilla de freno

*Si este procedimiento no logra el ajuste apropiado del freno, contacte con su distribuidor autorizado de Scag.*

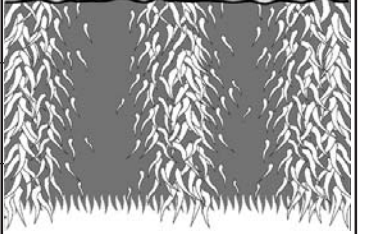
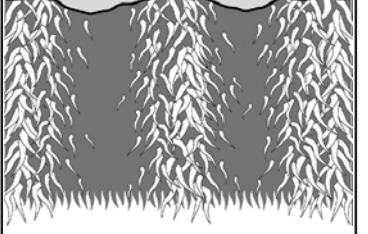
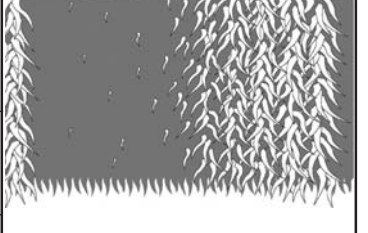
-NOTA-



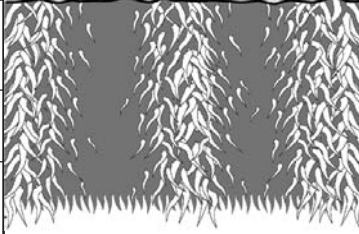
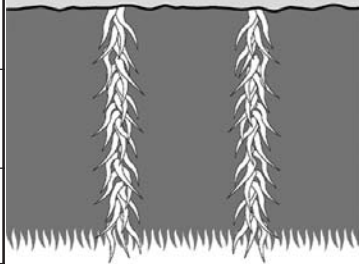
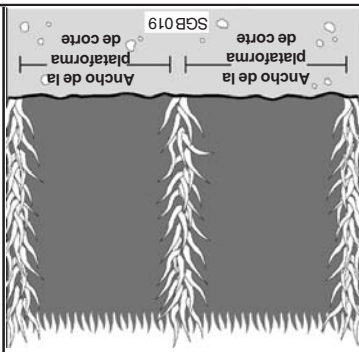
SOLUCIÓN DE FALLAS (CONTINUACIÓN)

SOLUCIÓN	CAUSA	CONDICIÓN
Verifique y ajuste las presiones	Baja presión de las llantas	<b>Rasadoras - Las cuchillas pegan en la tierra o están cortando muy cerca al terreno</b>
Disminuya la velocidad para ajustarse a las condiciones del terreno	Velocidad demasiado alta	
Se puede tener que reducir la velocidad en el terreno, aumentar la altura de la plataforma de corte, cambiar la dirección del corte y/o cambiar la inclinación y el nivel	Corte demasiado bajo	
Se puede tener que reducir la velocidad en el terreno, aumentar la altura de la plataforma de corte y/o cambiar la dirección del corte	Terreno rugoso	
Disminuya la velocidad para ajustarse a las condiciones del terreno	Velocidad demasiado alta	
Corte el césped una vez que se seque	Césped mojado	
Ajuste la inclinación y el nivel	Cuchillas mal montadas, disparrajas	<b>Corte lateral - Cresta en el centro de la trayectoria de corte</b>
Reemplace la cuchilla	Cuchilla doblada	
Consulte con su distribuidor Scag autorizado	Falla del eje interno	
Consulte con su distribuidor Scag autorizado	Montaje incorrecto del eje	
Consulte con su distribuidor Scag autorizado	Área de montaje del eje doblada	<b>Corte inclinado - Crestas inclinadas a través del ancho de la trayectoria de corte</b>
Consulte con su distribuidor Scag autorizado	Falla del eje interno	
Consulte con su distribuidor Scag autorizado	Alojamiento de la plataforma doblado	

SOLUCIÓN DE FALLAS (CONTINUACIÓN)

CONDICIÓN	CAUSA	SOLUCIÓN
<p><b>Corte disparaje en terreno plano - Apariencia baja y alta ondulada, corte volado, o perfil irregular</b></p> 	<p>Levantador de la cuchilla desgastado</p> <p>Cuchilla montada invertida</p> <p>Césped acumulado debajo de la plataforma de corte</p> <p>Demasiado ángulo en la cuchilla (inclinación de la plataforma de corte)</p> <p>Plataforma de corte montada incorrectamente</p> <p>Área del eje doblada</p> <p>Cuchilla desafiada</p> <p>Afile la cuchilla</p>	<p>Reemplace la cuchilla</p> <p>Monte la cuchilla con el filo hacia el terreno</p> <p>Limpie la parte de abajo de la plataforma</p> <p>Ajuste la inclinación y el nivel</p> <p>Consulte con su distribuidor Scag autorizado</p> <p>Consulte con su distribuidor Scag autorizado</p>
<p><b>Corte disparaje en terreno disparaje - Apariencia baja y alta ondulada, corte volado o perfil irregular</b></p> 	<p>Terreno disparaje</p>	<p>Se puede tener que reducir la velocidad en el terreno, aumentar la altura de la plataforma de corte y/o cambiar la dirección del corte</p>
<p><b>Salientes inclinadas a lo ancho de la trayectoria de corte</b></p> 	<p>Llantas con presión desequilibrada</p> <p>Ruedas disparajas</p> <p>Plataforma de corte montada incorrectamente</p> <p>Plataforma no nivelada lado a lado</p>	<p>Revise y ajuste la presión de las llantas</p> <p>Revise y ajuste la presión de las llantas</p> <p>Consulte con su distribuidor Scag autorizado</p> <p>Verifique el nivel y corrija</p>

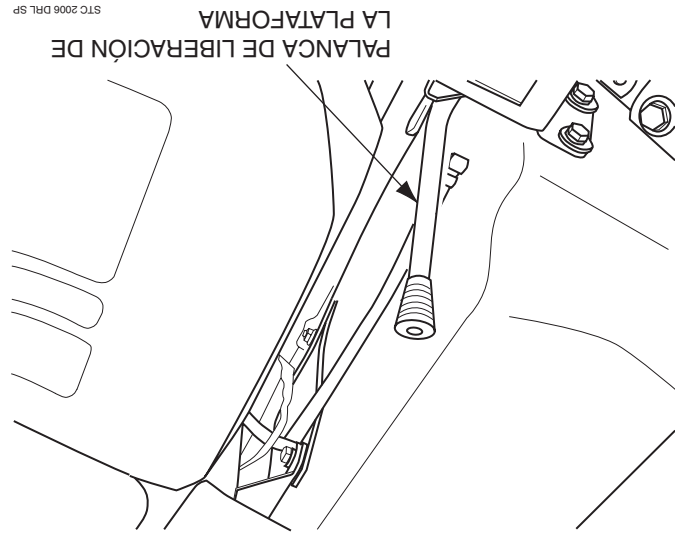
**IDENTIFICACIÓN DE FALLAS EN LAS CONDICIONES DE CORTE**

CONDICIÓN	CAUSA	SOLUCIÓN
<p><b>Largeros - Corte irregular de césped</b></p>  <p>Ancho de la plataforma de corte SGB020</p>	<p>Bajas revoluciones (RPM) del motor</p> <p>Velocidad demasiado alta</p> <p>Césped mojado</p> <p>Cuchillas desafiladas, afilado incorrecto</p> <p>Limpie la parte de abajo de la plataforma</p> <p>Correas patinando</p>	<p>Operar el motor a su máxima RPM</p> <p>Disminuya la velocidad para ajustarse a las condiciones del terreno</p> <p>Corte el césped una vez que se seque</p> <p>Afile las cuchillas</p> <p>Limpie la parte de abajo de la plataforma</p> <p>Ajuste la tensión de la correa</p>
<p><b>Vetas - Franjas de césped sin cortar en la trayectoria de corte</b></p>  <p>Ancho de la plataforma de corte SGB018</p>	<p>Cuchillas desafiladas o desgastadas</p> <p>Afilado incorrecto de las cuchillas</p> <p>Bajas revoluciones (RPM) del motor</p> <p>Correa patinando</p> <p>Césped acumulado debajo de la plataforma de corte</p> <p>Velocidad demasiado alta</p> <p>Césped mojado</p> <p>Cuchillas dobladas</p>	<p>Afile las cuchillas</p> <p>Afile las cuchillas</p> <p>Operar el motor a su máxima RPM</p> <p>Ajuste la tensión de la correa</p> <p>Limpie la parte de abajo de la plataforma</p> <p>Césped acumulado debajo de la plataforma de corte</p> <p>Velocidad demasiado alta</p> <p>Disminuya la velocidad para ajustarse a las condiciones del terreno</p> <p>Corte el césped una vez que se seque</p> <p>Reemplace las cuchillas</p>
<p><b>Vetas - Franjas de césped sin cortar entre trayectorias de corte</b></p>  <p>Ancho de la plataforma de corte SGB019</p>	<p>Traslape insuficiente entre pasadas</p>	<p>Aumente el traslape de cada pase</p>

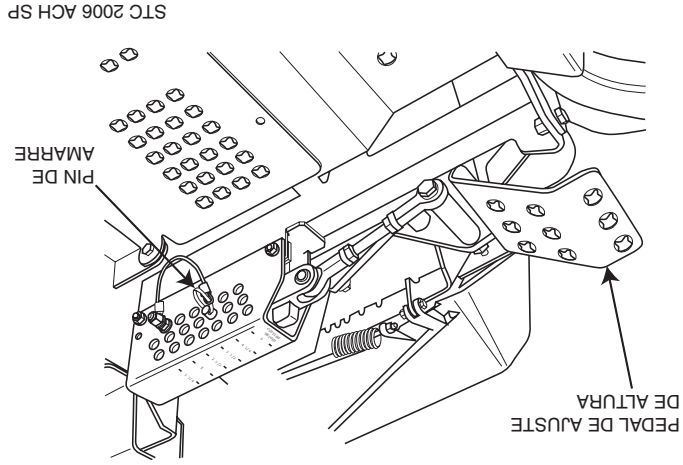
**4.14 REMOLQUE (accesorio de enganche (opcional))**

1. **Nunca** permita niños ni otras personas en el equipo remolcado.
2. Remolque sólo con una máquina que tenga un accesorio de enganche diseñado para remolcar. Sólo conecte el equipo remolcado en el punto de enganche.
3. Siga las recomendaciones del fabricante para el límite de peso para el equipo remolcado. Máximo peso remolcado 250 lbs (113 Kg).
4. **Nunca remolque en cuestras.** El peso del equipo remolcado puede causar la pérdida de tracción y la pérdida de control.

5. Desplácese lentamente y permita una distancia adicional para detenerse.
6. Un giro de radio cero con un remolque conectado, podría dañar el remolque o el cortacésped.



**Figura 4-4 Palanca de liberación de la plataforma**



**Figura 4-5 Ajuste de altura de corte**

**4.10 RETIRO DEL MATERIAL ATASCADO**

**¡NUNCA PONGA LAS MANOS EN LA TOLVA DE DESCARGA POR NINGÚN MOTIVO! Si ha ocurrido una obstrucción, apague el motor y quite la llave y sólo entonces use un palo u objeto semejante para quitar el material atascado.**

1. Si la tolva de descarga llega a atascarse, apague el motor y quite la llave de encendido. Use un palo o artículo semejante para sacar el material atascado. Luego, reanude el corte normal.

**4.11 DESPLAZAMIENTO DEL CORTACÉSPED CON EL MOTOR DETENIDO**

Para "rodar libremente" o mover el cortacésped sin el motor encendido, coloque las palancas de la válvula de descarga en la posición FRBE-WHBL (Figura 4-2, Página 13). Desconecte el freno de estacionamiento y mueve el cortacésped a mano. Las palancas de la válvula de descarga deben ser regresadas a la posición DRIVE y ajustadas a 7-10 pies/lb para operar el cortacésped.

**4.12 RECOMENDACIONES PARA CORTAR EL CÉSPED**

1. No corte con cuchillas desafiladas. Una cuchilla desafilada desgarrará el césped, dando como resultado una mala apariencia del césped y requiriendo potencia adicional del motor.
2. La tolva de descarga no debe quitarse y debe mantenerse en su posición más baja para desviar hacia abajo el césped cortado y cualquier objeto que se encuentre sobre el mismo. Dirija la descarga lateral lejos de aceras o de calles para minimizar la limpieza de los recorres de césped. Cuando corte cerca de obstáculos, dirija la descarga lejos de los mismos para reducir la posibilidad de daños a la propiedad debido a objetos lanzados.

**ADVERTENCIA**

NO OPERE SIN EL EQUIPO MEZCLADOR DE PAJA DE LA TOLVA DE DESCARGA, O SIN EL RECOGEDOR DE CÉSPED INSTALADOS.

La plataforma del cortacésped puede ajustarse desde una altura de 1-1/2" hasta 5-1/2" en intervalos de 1/4". Para ajustar la altura de corte:

**4.13 AJUSTE DE LA ALTURA DE CORTE**

7. Opere el motor a máxima aceleración para un mejor corte. Si corta a una RPM más baja, el cortacésped desgarrará el césped. El motor está diseñado para operar a la máxima velocidad.
8. Use el patrón de franjas alternas para mejorar la apariencia del césped. Varíe la dirección de la franja cada vez que corte el césped para evitar estropear los patrones en el mismo.

**No ajuste la altura de corte cuando las cuchillas del cortacésped estén girando. Desconecte la potencia a las cuchillas de corte y luego ajuste la altura de corte.**

1. Desconecte la potencia a las cuchillas de corte.
2. Empuje el pedal de pie de ajuste de la altura de corte completamente hacia adelante con su pie derecho hasta que se asegure en su lugar. (Figura 4-5, página 18).
3. Inserte el pin de amarre en el indicador de la altura de corte en la altura de corte deseada. Empuje hacia adelante la palanca de pie de la elevación de plataforma, manténgala en posición y tire de la

## 4.8 ESTACIONAMIENTO DEL CORTACÉSPED

1. Estacione el cortacésped en una superficie plana y a nivel solamente. No estacione la máquina en una pendiente.
2. Coloque las palancas de control de dirección en la posición neutral.
3. Desconecte las cuchillas de corte.
4. Disminuya la velocidad del motor hasta la velocidad de vacío.
5. Accione el freno de estacionamiento.
6. Gire la llave de encendido a la posición OFF y quite la llave.

## 4.9 DESPUÉS DE LA OPERACIÓN

1. Lave todo el cortacésped después de cada uso. No use chorro a alta presión ni dirija el chorro sobre componentes eléctricos.

### -IMPORTANTE-

*No lave un motor caliente ni en operación. El agua fría daña el motor. Use aire comprimido para limpiar el motor si está caliente.*

2. Mantenga limpio todo el cortacésped para impedir severos daños por calentamiento al motor o al circuito de aceite hidráulico.

3. Verifique la correcta alineación de las correas de transmisión y cualquier señal de desgaste. Corrija y ajuste si es necesario.



**Para evitar quemaduras, permita que el cortacésped se enfríe antes de quitar la tapa del tanque de combustible y rellenar.**

4. Al final de cada día de operación y después de que el cortacésped se haya enfriado, llene los tanques de combustible con combustible limpio. Vea el manual del propietario del motor para saber el octanaje apropiado.
5. Verifique la presión de las llantas. Corrija la presión si es necesario.



**NO OPERE EN PENDIENTES EMPINADAS. Para probar si puede trabajar en una cuesta, trate de retroceder (con la plataforma de corte baja). Si la máquina puede retroceder por la pendiente sin que las ruedas se resbalen, reduzca la velocidad y opere con extremo cuidado. SIEMPRE CUMPLA CON LAS OPERACIONES APROBADAS POR OSHA.**

## 4.7 OPERACIÓN EN UNA CUESTA

3. Para desconectar la transmisión de la plataforma, empuje el interruptor a la posición de desconexión.
4. Siempre opere el motor a máxima aceleración para mantener apropiadamente la velocidad de corte. Si el motor comienza a disminuir su velocidad por exceso de carga, reduzca la velocidad hacia adelante y permita que el motor opere a sus máximas RPM.

1. Este cortacésped se ha diseñado para tener buena tracción y estabilidad bajo condiciones normales de corte. Sin embargo, debe tener cuidado al viajar en cuestras, especialmente cuando el césped está mojado. El césped mojado reduce la tracción y el control de dirección. El sistema de protección contra vuelco es un equipo estándar para esta máquina. Vea la Sección 2.5, página 6 de este manual para mayores detalles.
2. Para evitar volcarse o perder el control, no arranque ni se detenga repentinamente, evite giros innecesarios y despiácese a baja velocidad. Si las llantas pierden tracción, desconecte las cuchillas y baje lentamente la pendiente.
3. Evite arranques repentinos al subir una cuesta. Los arranques repentinos pueden causar que la máquina se incline hacia atrás.
4. Puede producirse una pérdida de tracción al desplazarse bajando una cuesta. El peso se transfiere a la parte delantera de la máquina y puede causar que las ruedas motrices se deslicen, causando pérdida de frenado o dirección.
5. Mantenga las llantas correctamente infladas.



Para dirigir el cortacésped a la derecha mientras se desplaza hacia adelante, tire la palanca derecha de dirección hacia atrás. Cuando más atrás se tiren las palancas, más rápido girará el cortacésped a la derecha.

**-NOTA-**

La operación suave de las palancas de dirección producirá una operación suave del cortacésped. Mientras aprende a operar los controles de dirección, mantenga baja la velocidad de desplazamiento.

**-IMPORTANTE-**

No se desplace hacia adelante sobre el reborde de una acera. El cortacésped puede detenerse sobre el reborde. Levante la plataforma y desplácese hacia atrás sobre el reborde en un ángulo de 45 grados. (vea la sección 4.1, artículo 12 para instrucciones sobre como levantar la plataforma de corte).

**Desplazamiento en reversa**

**PRECAUCIÓN:** Desconecte la potencia al cortacésped antes de retroceder. No corte en reversa a menos que sea absolutamente necesario y sólo después de observar toda el área detrás del cortacésped.

**PRECAUCIÓN:** Antes de retroceder, observe si hay personas y obstrucciones en la parte posterior. Despeje el área antes de retroceder. Pueden ocurrir lesiones personales o daños a la propiedad.

Para desplazarse en reversa, tire hacia adentro las palancas fuera de la posición neutral de bloqueo y tire ambas asas hacia atrás. Mantenga baja la velocidad de desplazamiento al viajar en reversa.

**-NOTA-**

El cortacésped no puede desplazarse en línea recta en reversa. Deben hacerse ligeros ajustes con los controles de dirección.

Para dirigirse a la izquierda mientras se desplaza en reversa, permite que la palanca izquierda de dirección se mueva hacia adelante. Cuando más se permita al control desplazarse hacia adelante, más rápido girará el cortacésped a la izquierda.

Para dirigirse a la derecha mientras se desplaza en reversa, permite que la palanca derecha de dirección se mueva hacia adelante. Cuando más se permita al control desplazarse hacia adelante, más rápido girará el cortacésped a la derecha.

Para detener el desplazamiento en reversa, permita que las palancas de dirección vuelvan a la posición neutral. Si el cortacésped debe ser estacionado, coloque las asas en la posición neutral de bloqueo, y accione el freno de estacionamiento.

**4.6 CONEXIÓN DE LA TRANSMISIÓN DE PLATAFORMA (CUCHILLAS DE CORTE)**

1. Ponga el control de aceleración en cerca de 3/4 de la velocidad máxima. No trate de accionar la transmisión de la plataforma en alta velocidad ya que esto acorta la vida del embrague eléctrico — use una velocidad moderada del motor al accionar la transmisión de plataforma.

2. Accione la transmisión de plataforma tirando del interruptor amarillo, ubicado en el panel de instrumentos, (Figura 4-3) a la posición accionada.

**-NOTA-**

Puede escucharse un chirrido al accionar o desconectar la transmisión de la plataforma. Es causado por el engrane de los platos del embrague eléctricos mientras el cortacésped adquiere velocidad. Esto es normal.

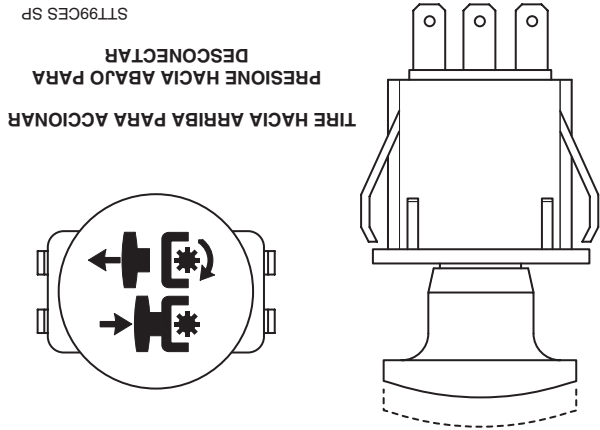


Figura 4-3 Interruptor de accionamiento del cortador

### 4.3 PROCEDIMIENTOS DE ARRANQUE INICIAL (Primer día de uso o aproximadamente 10 horas)

1. Verifique la correcta alineación de todas las correas y su desgaste a las 2, 4 y 8 horas.

2. Cambie el aceite de motor y el filtro de aceite después de las primeras 20 horas de operación. (Vea la sección 7.4).

3. Verifique el nivel de aceite hidráulico en el depósito. (Vea la sección 7.3).

4. Revise que no haya tornillería floja. Apriete según sea necesario.

5. Revise la correcta operación del sistema de bloqueo. (Vea la sección 4.2).

6. Revise la presión de las llantas. Corrija la presión si es necesario. (Vea la sección 7.10).

### 4.4 ARRANQUE DEL MOTOR

**PRECAUCIÓN:**

**NO USE LÍQUIDOS DE ARRANQUE. El uso de líquidos de arranque en el sistema de toma de aire puede ser potencialmente explosivo o causar una condición de "embalamiento" del motor que puede causar daños al motor y/o lesiones personales.**

1. Asegúrese de que la válvula de corte de combustible, ubicada detrás del asiento del operador cerca del tanque izquierdo de combustible, esté completamente abierta. (Vea la sección 7.5).

2. Siéntese en el asiento del operador, asegure el cinturón de seguridad y coloque las palancas de control de dirección en la posición neutral.

3. Accione el freno de estacionamiento.

4. Si el motor está frío, cébelo de la forma que sea necesaria.

5. Mueva el control de aceleración del motor hasta cerca de la mitad de la velocidad del motor.

### Desplazamiento hacia adelante

Para desplazarse hacia adelante con el cortacésped, libere el freno de estacionamiento, lleve las palancas hacia adentro sacándolas de la posición neutral y empuje lentamente las palancas de dirección hacia adelante una distancia similar. Cuando más adelante se empujen las palancas, mayor será la velocidad. Para aumentar la velocidad, empuje las palancas de control de dirección más adelante y para disminuirla, tire de las palancas hacia atrás.

Para detener el desplazamiento hacia adelante, tire de las palancas de control de dirección nuevamente a la posición neutral.

Para dirigir el cortacésped a la izquierda mientras se desplaza hacia adelante, tire la palanca izquierda de dirección hacia atrás. Cuando más atrás se tiren las palancas, más rápido girará el cortacésped a la izquierda.

### -IMPORTANTE-

Comience practicando a baja velocidad y desplazándose lentamente hacia adelante. Aprenda a controlar con suavidad los controles de dirección para obtener una operación uniforme.

de operar en pendientes. Aprenda la operación en terreno plano antes la máquina antes de tratar de cortar.

Si no está familiarizado con la operación de una máquina con dirección de palanca y/o transmisiones hidrostáticas, debe practicar las operaciones de conducción y velocidad en el terreno en un área abierta, lejos de edificios, cercas, u obstrucciones. Practique hasta que se sienta cómodo con el manejo de la máquina antes de tratar de cortar.

### -IMPORTANTE-

### DIRECCIÓN

### 4.5 DESPLAZAMIENTO EN EL TERRENO Y

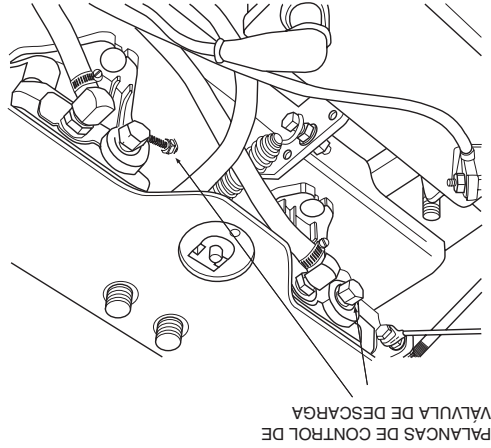
6. Gire la llave de encendido a la posición START y suéltela en cuanto arranque el motor. No mantenga la llave en la posición START por más de 15 segundos. Permita por lo menos 60 segundos entre cada intento de arranque para evitar sobrecalentar el arrancador. Los arranques prolongados pueden dañar el arrancador y acortar la vida de batería.
7. Permita que el motor se entibie antes de operar el cortacésped.



5. **Horómetro (Figura 4-1).** Indica el número de horas que ha operado el motor. Opera cuando el interruptor de la llave de encendido está en la posición ON. Ha fijado los recordatorios para el mantenimiento del motor y los cambios de aceite del sistema hidráulico. El mantenimiento programado empezará a destellar 2 horas antes de la hora establecida y continuará destellando hasta 2 horas después. Reinicia automáticamente.
6. **Portafusibles (Figura 4-1).** Dos fusibles de 20 Amp protegen el sistema eléctrico del cortacésped. Para reemplazar los fusibles, retire el fusible del zócalo e instale uno nuevo.
7. **Control izquierdo de dirección (Figura 4-1).** Usado para controlar la rueda izquierda del cortacésped al avanzar hacia adelante o en reversa.
8. **Control derecho de dirección (Figura 4-1).** Usado para controlar la rueda derecha del cortacésped al avanzar hacia adelante o en reversa.
9. **Control del freno de estacionamiento (Figura 4-1).** Usado para accionar y desconectar los frenos de estacionamiento. Tire de la palanca para accionar los frenos de estacionamiento. Presione la palanca para desconectar los frenos de estacionamiento.
10. **Válvula de cambio de combustible (Figura 4-1).** Ubicada en el lado izquierdo de la máquina. Usada para cortar el suministro del combustible al motor y cambiar la alimentación de combustible entre tanques. Gire la válvula en contra del sentido de las agujas del reloj para suministrar combustible solamente del tanque del lado izquierdo. Gire la válvula en el sentido de las agujas del reloj para suministrar combustible solamente del tanque de la derecha.

11. **Palancas de control de la válvula de descarga (Figura 4-2).** Ubicadas en las bombas hidráulicas, se usan para "rodar libremente" el cortacésped. El giro de las palancas en el sentido de las agujas del reloj hasta que se detengan permite que la unidad se mueva con potencia hidráulica. Las válvulas deben estar en esta posición y apretadas a 10 pies/lb durante la operación del cortacésped. El giro de las palancas en el sentido contrario a las agujas del reloj, 1-2 vueltas, permite que el cortacésped se mueva a mano (rueda libremente).
12. **Palanca de pie de elevación de plataforma (Figura 4-1).** Usada para levantar y bajar la plataforma de corte.

Figura 4-2 Control de válvula de descarga



13. **Ajuste de la altura de corte (Figura 4-1).** Usado para poner la plataforma de corte en la altura de corte deseada.
14. **Palanca de liberación de la plataforma de corte (Figura 4-1).** Usada para tabar la plataforma de corte en la posición de transporte. Para corte normal, empuje el pedal hacia adelante y levante la palanca de desenganche de modo de soltar la plataforma de corte.
15. **Cinturón de seguridad (Figura 4-1).** Usado para asegurar al operador. El cinturón de seguridad debe usarse durante toda la operación.

## 4.2 SISTEMA DE BLOQUEO DE SEGURIDAD

El cortacésped está equipado con un sistema de bloqueo de seguridad que evita que el motor arranque a menos que la transmisión de plataforma esté desconectada, que el freno de estacionamiento esté accionado, las palancas de control de dirección en la posición neutral y el operador en el asiento. El sistema de bloqueo apaga el motor si el operador deja el asiento con las palancas de control de dirección en una posición distinta de la neutral y/o las cuchillas de corte accionadas y/o el freno de estacionamiento no accionado.

**ADVERTENCIA:** Nunca opere el cortacésped con el sistema de bloqueo desconectado o funcionando defectuosamente. No desconecte ni ponga en puente ningún interruptor; el hacerlo puede provocar lesiones a usted o a terceros o causar daños a la propiedad.

## INSTRUCCIONES DE OPERACIÓN

No trate de operar este cortacésped a menos que haya leído este manual. Aprenda la ubicación y el propósito de todos los controles e instrumentos antes de operar este cortacésped.

### 4.1 IDENTIFICACIÓN DE CONTROLES E INSTRUMENTOS

Antes de operar el cortacésped, debe familiarizarse con todos los controles del cortacésped y el motor. Es importante conocer la ubicación, función y operación de estos controles para la operación segura y eficiente del cortacésped.

1. **Interruptor de encendido (Figura 4-1).** Usado para arrancar el motor; tiene tres posiciones; OFF, ON, y START.

2. **Interruptor de la plataforma del cortacésped (Figura 4-1).** Usado para accionar y desconectar el sistema de transmisión del cortacésped. Tire del interruptor para accionar la transmisión de plataforma. Presione el interruptor para desconectar la transmisión de plataforma.
3. **Control de estrangulación del motor (Figura 4-1).** Usado para arrancar un motor frío.
4. **Control de aceleración del motor (Figura 4-1).** Usado para controlar la velocidad de motor. Presionando la palanca hacia abajo aumenta la velocidad del motor. Tirando de la palanca hacia atrás disminuye la velocidad del motor. La posición completamente hacia atrás es la posición de MARCHA EN VACÍO. La posición de corte es la de más adelante.

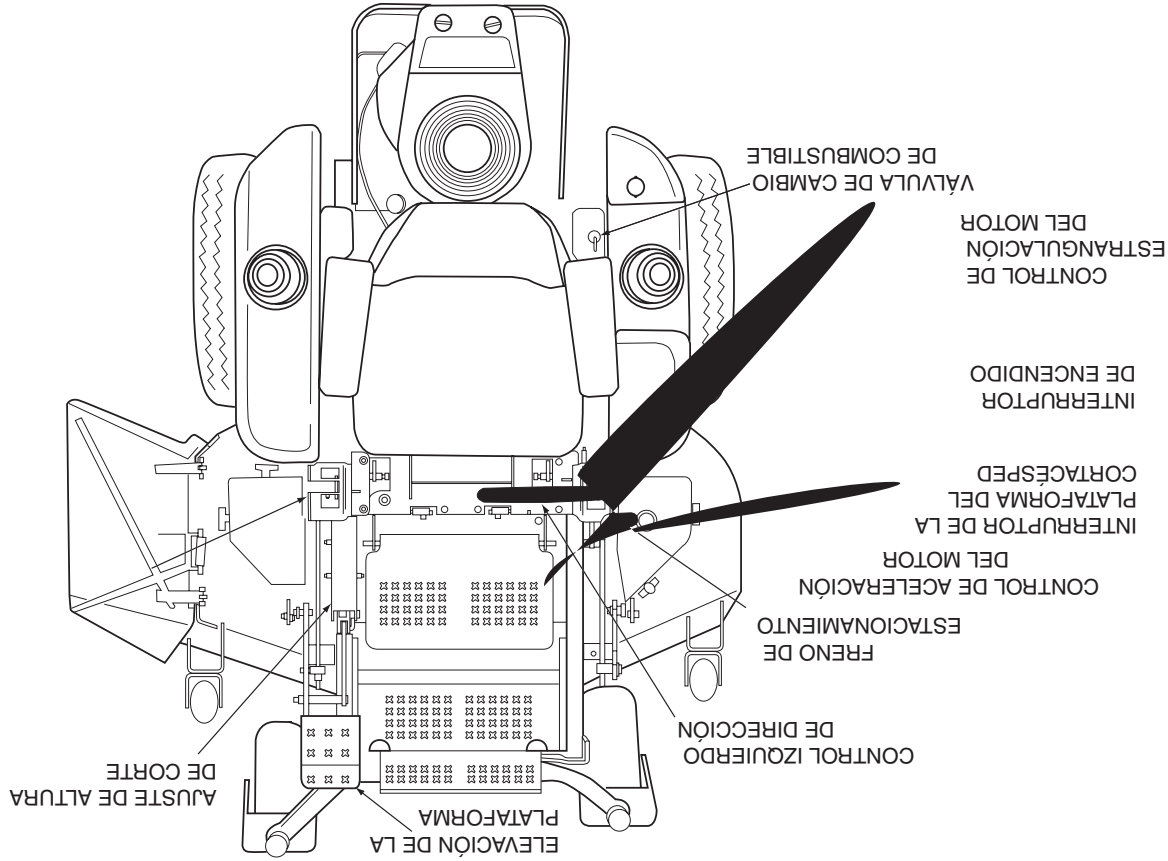


Figura 4-1 Controles e Instrumentos

### 3.3 TRACTOR (CONTINUACIÓN)

-NOTA-

La máquina se desplazará a 10 Mph

(16 Kph) para fines de transporte. Para

un mejor desempeño de corte, la

velocidad de desplazamiento hacia

adelante debe ajustarse en función de

las condiciones de corte.

Velocidad de desplazamiento:

Adelante ..... 0-10 MPH (0-16 Kph)

Reversa ..... 0-5 MPH (0-8 Kph)

### 3.4 PLATAFORMA DE CORTE

Tipo: ..... Flotante, ajustable, anti raspado, de diseño híbrido que combina

diseños delantero y de montaje frontal

Construcción: ..... Construcción de plataforma de triple placa, la parte superior de la

plataforma consta de tres placas de acero que totalizan casi 1/2" de

acero, faldón de plataforma calibre 7 (3/16").

Ancho de corte: ..... 48" (122.0cm), 52" (132.0cm)

Ajuste de altura de corte: ..... Ajuste con palanca de pie desde el asiento del operador, desde

1.00" a 5.5" en incrementos de 1/4"

Cuchillas de corte: ..... Grosor 197, borde cepillado, material Marbain™ resistente al

desgaste

Accionamiento de las cuchillas: ..... Embrague eléctrico de accionamiento de cuchilla con interruptor de

panel de control

Conectado a la plataforma de corte mediante una correa.

Abertura de descarga: ..... Abertura de descarga extra ancha con tolva de descarga cargada

por resorte y deflector turbo

Ejes: ..... Servicio pesado, 1-1/8" en la parte superior, cuerpo fundido,

rodamiento de rodillos cónicos, bajo mantenimiento con conexión

de grasa en la parte superior y cabezal móvil de alivio de exceso

de grasa

Poleas del eje: ..... Acero partido con cubos cónicos de fácil desmontaje

Correas de la plataforma de corte: ..... Sección B y tipo dentado, de Kevlar. Auto ajustado,

auto apretado

Tipo embrague eléctrico ..... Embrague PTO de servicio pesado Ogura

### 3.6 SISTEMA HIDRÁULICO

Filtro de aceite hidráulico ..... Tipo roscado (spin-on) de 10 micras

Depósito hidráulico ..... Nylon; capacidad 2-1/2 cuartos

### 3.7 PRODUCTIVIDAD

La tabla siguiente lo ayudará a determinar cuántos acres cortará su cortacésped Scag por día.

La tabla es un estimado basado en un tiempo de corte de 8 horas por día, a 6 KPH, con una cuota de 20% para traslape y giros.

Acres por día: ..... 18,6

Ancho de corte: ..... 48"

## ESPECIFICACIONES

### 3.1 MOTOR

Tipo general	Industrial de servicio pesado/Comercial de gasolina
Marca	Briggs & Stratton
Potencia	24 HP (Espec. #) (Scag Modelo STC48V-24BS)
Cilindros	Tipo gasolina, 4 ciclos, dos cilindros, eje horizontal
Controlador	2 con camisas de hierro fundido
Velocidad en vacío	Tipo mecánico con control de velocidad variable fijado en 3600 RPM
Conjunto de bomba de combustible	1750 RPM - Briggs & Stratton
Conjunto de bomba de combustible	Bomba integral de combustible con filtro en línea
Combustible	Gasolina sin plomo con un octanaje mínimo de 87
Conjunto de bomba de aceite	Bomba de aceite Gerotor™ de desplazamiento positivo
Arrancador	Arranque eléctrico con arrancador de solenoide
Correas:	Correa de Kevlar. Auto ajustado, auto apretado
Correa de transmisión de la bomba	Número de parte Scag - 483172

### 3.2 SISTEMA ELÉCTRICO

Batería	12 voltios
Sistema de carga	Alternador
Salida de carga	12 voltios, 16 Amp
Polaridad del sistema	Tierra negativa
Arrancador	Eléctrico, 12 voltios, de corona, bloqueo operado por llave y solenoide
Interruptores	Asiento, control de neutral, accionamiento de cortacésped (BBC), freno de estacionamiento
Tablero de instrumentos	Interrupción de encendido, palanca de aceleración, estrangulación manual, interruptor PTO, fusibles y módulo de arranque de seguridad
Fusibles	Dos (2) de 20 Amp

### 3.3 TRACTOR

Sistema de transmisión	Transmisión hidráulica con dos bombas de desplazamiento variable y dos motores de hierro fundido y alto torque
Bombas hidrostáticas	Dos bombas Hydro-Gear™ BDP 10A con válvulas de descarga para el desplazamiento sin operación del motor
Motores de la rueda motriz	Dos motores Hydro-Gear™ de hierro fundido de alto torque
Control de dirección/desplazamiento	Control de dirección de doble palanca accionado con la punta de los dedos, con control individual de cada rueda con amortiguadores de gas
Freno de estacionamiento	Mecanismo accionado por palanca conectado a los frenos en los ejes de ambas ruedas motrices
Ruedas:	13 X 5-6, cuatro capas, con rodamientos de rodillos cónicos
(2) Rueda libre en la parte delantera	23 X 9.50 X 12, sin cámara neumática, de cuatro capas, borde radial
(2) Motrices - (plataforma de 48"-52")	Dual de 4.5 galones, de poliuretano, sin costuras, con gran abertura y tapa de combustible
Tanques de combustible	
Presión de la llanta:	
Rueda libre delantera	25 PSI
Motriz	12 PSI
Asiento	Acollado, cojín grueso con apoyo adicional de resortes





Este cortacésped se ha diseñado para tener buena tracción y estabilidad bajo condiciones normales de corte. Sin embargo, debe tener cuidado al viajar en cuestas, especialmente cuando el césped está mojado. No corte en césped mojado. El césped mojado reduce la tracción y el control de dirección.

**NO DEBE** retirarse ninguno de los componentes del sistema de protección contra vuelco. El incumplimiento de esta pauta puede causar lesiones o la muerte.

La exposición potencial de este cinturón de seguridad a condiciones ambientales severas hace crucial examinar el sistema del cinturón regularmente.

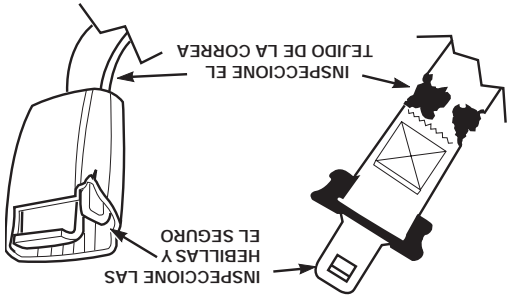
Se recomienda examinar diariamente el cinturón de seguridad para detectar señales de daño. Cualquier sistema de cinturón de seguridad que muestre cortes, roturas, desgaste extremo o inusual, decoloración significativa debido a la exposición UV, suciedad o rigidez, abrasión al tejido del cinturón de seguridad, o daños a la hebilla, placa de cierre, tornillería o cualquier otro problema obvio debe ser reemplazado inmediatamente.

**ADVERTENCIA:**

**El incumplimiento de inspeccionar y mantener apropiadamente el cinturón de seguridad puede ocasionar lesiones graves o la muerte.**

1. Revise la longitud completa de las correas para detectar si hay cortes, desgaste, roturas, suciedad y rigidez. Vea la Figura 2-1.
2. Revise el tejido de las correas del cinturón de seguridad en las áreas expuestas a los rayos ultra violeta del sol o a polvo o suciedad extrema. Si el color original de las correas en estas áreas está extremadamente decolorado y/o lleno de suciedad, la resistencia física de estas correas puede haberse deteriorado. Si existen estas condiciones, reemplace el sistema del cinturón de seguridad.
3. Revise la hebilla y el seguro para verificar su correcto funcionamiento y determine si la placa de cierre está excesivamente gastada, deformada, o si la hebilla está dañada o agrietada. Vea la Figura 2-1.

Figura 2-1 Inspección del cinturón de seguridad



**ADVERTENCIA:**

Reduzca la velocidad al girar o al operar en pendientes, o en superficies húmedas o resbaladizas. Permita una distancia adicional para detenerse.

Manténgase alejado de pendientes demasiado empinadas para una operación segura. Para probar si puede trabajar en una cuesta, trate de retroceder (con la plataforma de corte baja). Si la máquina no puede retroceder en una pendiente sin que las ruedas resbalen, no la opere en dicha pendiente.

**SIEMPRE** desplácese hacia arriba o hacia abajo de la pendiente cuando sea posible. Nunca cruce sobre una pendiente.

**NO** corte cerca de pendientes verticales, zanjas ni terraplenes. La máquina podría volcarse repentinamente si una rueda pasa encima de un borde o si el borde se derrumba.


Opere la máquina suavemente, sin giros repentinos, ni arranques o paradas en una pendiente.

**NUNCA** remolque en cuestas. El peso del equipo remolcado puede causar la pérdida de tracción y la pérdida de control.

**NO** permita que personal sin entrenamiento opere la máquina.

### 2.4 CONSIDERACIONES DE OPERACIÓN (CONTINUACIÓN)


3. Para evitar volcarse o perder el control, arranque y deténgase suavemente, evite giros innecesarios y desplácese a baja velocidad.
4. Cuando use cualquier accesorio, nunca dirija la descarga del material hacia otras personas, ni permita que haya nadie cerca a la máquina mientras esta en funcionamiento.
5. Antes de tratar de arrancar el motor, con el operador en el asiento, desconecte la potencia a la plataforma de corte, coloque las palancas de control de dirección en la posición neutral y accione el freno de estacionamiento.
6. Si la descarga del cortacésped se tapona, apague el motor, quite la llave de encendido, y espere que cese todo movimiento antes de quitar la obstrucción.

**ADVERTENCIA:**  NO use la mano para desatascar la tolva de descarga. Use un palo u otro objeto para quitar la materia atascada.


7. Preste atención a agujeros, piedras, raíces y otros peligros ocultos en el terreno. Manténgase alejado de toda pendiente vertical. Tenga cuidado con las obstrucciones presentes arriba de su cabeza (ramas bajas, etc.), obstáculos subterráneos (aspersores, tubos, raíces de árboles, etc.) Ingrese con precaución a un área nueva. Preste atención a posibles peligros ocultos.
8. Desconecte la potencia a la plataforma de corte antes de retroceder. No corte en reversa a menos que sea absolutamente necesario y sólo después de observar toda el área detrás del cortacésped.
9. NO gire muy repentinamente. Tenga cuidado al retroceder.
10. Desconecte la potencia a la plataforma de corte antes de cruzar carreteras, caminos o caminos de grava.
11. Corte sólo con luz de día o buena luz artificial.
12. NUNCA levante la plataforma con las cuchillas conectadas.

13. Tome toda precaución posible cuando deje la máquina sin atención, como desconectar el cortacésped, bajar los accesorios, poner el freno de estacionamiento, detener el motor, y quitar la llave.
14. Desconecte la potencia a los accesorios cuando los transporte o cuando no esté usándolos.
15. La máquina y los accesorios deben detenerse e inspeccionarse para ver si han sufrido daños después de golpear un objeto extraño; el daño debe repararse antes de reiniciar y operar la máquina.

### PRECAUCIÓN:

 NO toque el motor ni el silenciador mientras el motor está funcionando, ni inmediatamente después de detenerlo. Estas zonas pueden estar lo suficientemente calientes como para causar una quemadura.


### ADVERTENCIA:

 NO opere el motor dentro de un edificio ni en un área encerrada sin ventilación apropiada. Los gases de escape son peligrosos y podrían causar la muerte.

16. Mantenga las manos y pies lejos de las cuchillas de corte y las partes móviles. El contacto puede causar daños.
17. Tenga cuidado al cargar o descargar la máquina en un remolque o un camión.
18. Tenga cuidado al aproximarse a esquinas ciegas, arbustos, árboles, u otros objetos que puedan disminuir la visibilidad.

### 2.5 SISTEMA DE PROTECCIÓN CONTRA VUELCO

### ADVERTENCIA:

 El cinturón de seguridad debe estar sujetado firmemente durante la operación. No hacerlo así podría ocasionar lesiones graves o la muerte.



**2.3 CONSIDERACIONES PREVIAS A LA OPERACIÓN (CONTINUACIÓN)**

6. Si el operador o mecánico no puede leer inglés o español, es responsabilidad del propietario explicarles este material.

7. **NO** use ropa muy holgada. La ropa holgada, las joyas o el cabello largo podrían enredarse en partes móviles. No opere la máquina llevando pantalones cortos; siempre lleve ropa de protección adecuada, incluyendo pantalones largos. Es recomendable llevar gafas de seguridad, zapatos de seguridad y un casco, pues es requerido por algunos reglamentos locales y normas del seguro.

8. Se recomienda usar protección para oídos, particularmente para una operación continua del cortacésped. Use protección apropiada para los oídos. La exposición prolongada a ruidos fuertes puede causar daños o la pérdida del oído.

9. Mantenga la máquina y los accesorios en buenas condiciones de operación. Mantenga todas las guardas y dispositivos de seguridad en su lugar. Si una guarda, un dispositivo de seguridad o una calcomanía, están defectuosos o dañados, repárelos o reemplácelos antes de operar la máquina.

**ADVERTENCIA:**



Esta máquina está equipada con un sistema de bloqueo diseñado para evitar lesiones personales al operador y a terceros. Esto se logra evitando que el motor arranque a menos que la transmisión de plataforma esté desconectada, el freno de estacionamiento accionado, las palancas de control de dirección en la posición neutral y el operador en el asiento. El sistema apaga el motor si el operador deja el asiento con la transmisión de plataforma accionada y/o la palanca de control de dirección en una posición diferente de la neutral y/o el freno de estacionamiento no accionado. Nunca opere el equipo con el sistema de bloqueo desconectado ni funcionando defectuosamente.

10. Asegúrese que los conmutadores de bloqueo funcionen correctamente.

11. El combustible es inflamable; manipúlelo con cuidado. Llene el tanque de combustible al aire libre. Nunca lo llene bajo techo. Use un embudo para evitar derrames. Limpie cualquier derrame antes de arrancar el motor.

12. **NO** agregue combustible a un motor en operación ni a un motor caliente. Permita que el motor se enfríe por varios minutos antes de agregar el combustible.

13. Mantenga los objetos inflamables (cigarrillos, fósforos o cerillos, etc.), las llamas abiertas y chispas, lejos del tanque y el recipiente de combustible.

14. El equipo debe cumplir con los últimos requisitos de acuerdo con SAE J137 y/o ANSI/SAE S279

**-NOTA-**

*Si el cortacésped es conducido en caminos públicos, debe cumplir los reglamentos estatales y locales así como también los requisitos SAE J137 y/o ANSI/SAE S279. Contacte con sus autoridades locales para informarse sobre las normas y los requisitos del equipo.*

15. **NO** opere sin la tolva de descarga lateral instalada en la posición baja o con un recogedor de césped o placa desmenuzadora opcionales completamente instalados.

16. Verifique a intervalos frecuentes que los pernos de montaje de la cuchilla estén correctamente ajustados.

17. Asegúrese de que todas las conexiones hidráulicas estén apretadas y que todas las manijas hidráulicas y las líneas estén en buen estado antes de arrancar la máquina.

**2.4 CONSIDERACIONES DE OPERACIÓN**

1. Conozca la función de todos los controles y sepa cómo detener el equipo rápidamente.

2. Reduzca la velocidad y tenga mucho cuidado cuando opere en pendientes o de giros bruscos para evitar volcaduras y pérdida de control. Sea especialmente cauteloso al cambiar de dirección en las pendientes.

**ADVERTENCIA:**



**NO opere en pendientes empinadas. Para probar si puede trabajar en una cuesta, trate de retroceder (con la plataforma de corte baja). Si la máquina puede retroceder por la pendiente sin que las ruedas se resbalen, reduzca la velocidad y opere con extremo cuidado. SIEMPRE CUMPLA CON LAS OPERACIONES APROBADAS POR OSHA.**

## INFORMACIÓN DE SEGURIDAD

### 2.1 INTRODUCCIÓN

Su cortacésped es tan seguro como el operador. El error o descuido del operador puede ocasionar lesiones

personales graves o la muerte. El control de riesgos y la prevención de accidentes dependen del conocimiento, el interés, la prudencia, y el entrenamiento apropiados del personal relacionado con la operación, el transporte,

mantenimiento y almacenamiento del equipo. Cerciórese

de que cada operador esté entrenado apropiadamente y

completamente familiarizado con todos los controles antes

de operar el cortacésped. El propietario/usuario puede

evitar y es responsable de los accidentes o heridas que les

ocurran a ellos mismos, a otras personas o a la propiedad.

**LEA ESTE MANUAL DEL OPERADOR ANTES DE**

**TRATAR DE ARRANCAR SU CORTACÉSPED.**

Hay disponible un manual de reemplazo en su distribuidor

autorizado Scag o contactándose con Scag Power

Equipment, Service Department en P.O. Box 152,

Mayville, WI 53050, o visitando su sitio web en

www.scag.com. Puede descargar el manual para su

máquina utilizando el modelo y el número de serie o

mediante el formulario de contacto para hacer su pedido.

Indique el modelo y el número de serie completos de su

producto de Scag cuando solicite manuales de reemplazo.

### 2.2 PALABRAS DE SENALIZACIÓN



Este símbolo significa **“¡Atención! ¡Alerta! ¡Hay un**

**riesgo para su seguridad!”** El símbolo se usa con las

siguientes palabras de señalización para llamar su

atención sobre mensajes de seguridad localizados en las

calcomanías del equipo y a través de este manual. El

mensaje que sigue al símbolo contiene información

importante sobre seguridad. ¡Para evitar posibles

lesiones o la muerte, lea detalladamente el mensaje!

Cerciórese de entender completamente las causas que

pueden ocasionar lesiones o la muerte.

#### Palabra de señalización:

Es una palabra distintiva que se encuentra en las calcomanías de seguridad del equipo y a través de este manual para alertar sobre la existencia y el grado de una condición de peligro.

La palabra de señalización **“WARNING”** (ADVERTENCIA) indica que existe un riesgo en o la cerca de la máquina que puede ocasionar lesiones o la muerte si no se toman las precauciones debidas.











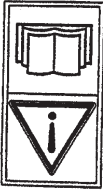

La palabra de señalización **“DANGER”** (PELIGRO) indica que existe una situación extremadamente peligrosa en o cerca de la máquina, que tiene altas probabilidades de ocasionar la muerte o una lesión irreparable si no se toman las precauciones apropiadas.













La palabra de señalización **“CAUTION”** (PRECAUCIÓN) es un recordatorio de que se deben seguir prácticas seguras en o cerca de la máquina y que de no seguirse, se pueden ocasionar lesiones personales. Su seguridad y la de los demás dependen en gran parte de que usted conozca y comprenda todos los procedimientos y las prácticas de operación correcta de esta máquina.

### 2.3 CONSIDERACIONES PREVIAS A LA OPERACIÓN

1. **NUNCA** permita que niños operen este cortacésped. No permita que adultos operen esta máquina sin instrucciones apropiadas.
2. **NO** corte cuando niños y/o otras personas estén presentes. Mantenga a los niños fuera del área de corte y al cuidado atento de un adulto responsable distinto del operador. Esté atento y apague la máquina si un niño ingresa al área.
3. Retire del área que debe ser cortada todos los objetos que pudieran ser recogidos y arrojados por las cuchillas.
4. **NO** lleve pasajeros.
5. **NO** opere el equipo bajo la influencia de alcohol o drogas.

DESCRIPCIÓN	SÍMBOLO	DESCRIPCIÓN	SÍMBOLO
Lento		Rápido	
Elemento cortante - Símbolo básico		Continuamente variable - Lineal	
Elemento cortante - Accionar		Punto de contacto	
Elemento cortante - Desconectar		Horómetro/Horas de operación transcurridas	
Lea el manual del operador		Peligro de objetos lanzados Mantenga alejados a los curiosos	



DESCRIPCIÓN	SIMBOLO	DESCRIPCIÓN	SIMBOLO
Transmisión		Ahogador	
Cuchilla giratoria		Freno de estacionamiento	
Tensión del resorte en la polea		Encendido/Arranque	
Aceite		Apagado/Parada	
Peligro de objetos lanzados		Riesgo de caída	

### INFORMACIÓN GENERAL

#### 1.1 INTRODUCCIÓN

Su cortacésped se fabricó según las normas más exigentes de la industria. Sin embargo, la duración de la vida útil y el logro de la máxima eficiencia de su cortacésped dependen de que se sigan las instrucciones de operación, mantenimiento y ajuste indicadas en este manual.

Si requiere información o servicio adicionales, contacte con su distribuidor de Scag Power Equipment.

Le sugerimos que se ponga en contacto con su distribuidor cuando necesite reparaciones. Todos los distribuidores Scag están informados de los últimos métodos para dar servicio a este equipo y para proporcionar un servicio oportuno y eficiente en el sitio de trabajo o en el taller de servicio. Ellos cuentan con la línea completa de piezas de repuesto Scag.

#### EL USO DE PIEZAS DE REPUESTO QUE NO SEAN SCAG ORIGINALES ANULARÁ LA GARANTÍA.

Cuando ordene piezas, siempre indique el modelo y el número de serie de su tractor. La placa del número de serie está ubicada donde se muestra en la Figura 1-1.

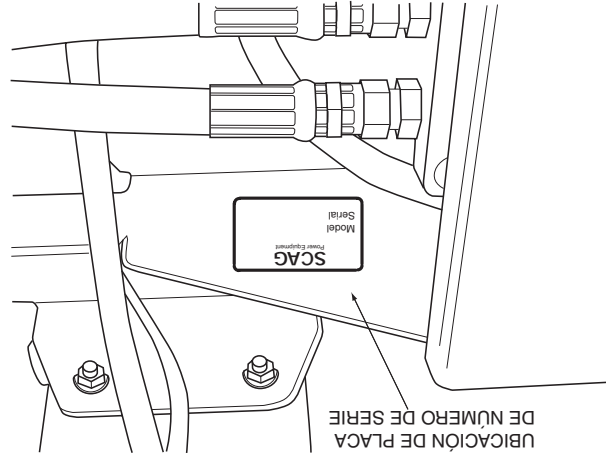


Figura 1-1 Ubicación de placa de número de serie del tractor

#### SÓLO USE DISPOSITIVOS APROBADOS POR SCAG.

Los accesorios y aditamentos fabricados por compañías que no sean la propia Scag Power Equipment no están aprobados para usarlos en esta máquina.

Accesorios y aditamentos aprobados por Scag:

- GC-STC-V (n/p 9057)
- GC-STC-CSV (n/p 9061)
- Placa desmenuzadora (n/p 9286)
- Mezclador de paja Hurricane (n/p 9283)
- STC Hitch (n/p 9241)
- Luces STC (n/p 9274)
- Tiger Stripper (n/p 9269)
- Blade Buddy (n/p 9212)

#### ADVERTENCIA:

Para una mejor visualización, algunas ilustraciones y las figuras en este manual pueden mostrar las protecciones, las guardas o los platos, abiertos o retirados. Bajo ninguna circunstancia su cortacésped debe operarse sin estos accesorios colocados en su lugar.

Toda la información está basada sobre la información disponible del producto en el tiempo de la aprobación de la impresión. Scag Power Equipment se reserva el derecho de realizar cambios en cualquier momento sin previo aviso y sin contraer ninguna obligación.

#### 1.2 REFERENCIA DE INSTRUCCIONES

Los lados "derecho" e "izquierdo", "frente" y "posterior" de la máquina están referidos desde la derecha e izquierda del operador cuando está sentado en posición de operación normal y de cara a la dirección de desplazamiento hacia adelante.

#### 1.3 SERVICIO AL MOTOR Y A LOS COMPONENTES DEL TREN DE TRANSMISIÓN

Los detalles sobre servicio y reparación del motor, las bombas hidráulicas, y cajas de cambios, no están cubiertos en este manual; sólo se proporcionan instrucciones de mantenimiento de rutina y de servicio general. Para dar servicio a estos componentes durante el periodo de garantía limitada, es importante contactar con su distribuidor Scag o encontrar a un agente local de servicio autorizado del fabricante del componente. Cualquier trabajo no autorizado realizado en estos componentes durante el periodo de garantía puede anularla.

# TABLA DE CONTENIDO (CONTINUACIÓN)

PÁGINA

TEMA

## Sección 6 - Ajustes

22	Ajuste del freno de estacionamiento .....
23	Ajustes de desplazamiento .....
24	Ajustes de los controles de aceleración y estrangulación .....
24	Ajuste de la correa .....
24	Alineación de la correa .....
25	Ajustes de la plataforma de corte .....

## Sección 7 - Mantenimiento

28	Tabla de mantenimiento .....
29	Lubricación de puntos de conexión .....
31	Sistema hidráulico .....
32	Acetite del motor .....
32	Sistema de combustible del motor .....
33	Filtro de aire del motor .....
34	Batería .....
35	Correas de transmisión .....
35	Cuchillas de corte .....
36	Llantas .....
36	Cuerpo, plataforma y tapicería .....

## Sección 8 - Piezas de repuesto

37	Notas .....
38-39	Plataforma de corte STC48V .....
40-41	Controles de plataforma de corte .....
42-43	Componentes de láminas metálicas .....
44-45	Sistema de protección contra vuelco STC .....
46-47	Componentes del sistema de transmisión .....
48-49	Motor y accesorios - Briggs & Stratton .....
50-51	Componentes de dirección .....
52-53	Componentes de freno .....
54-55	Sistemas de combustible e hidráulico .....
56-57	Sistema eléctrico .....
58-59	Bomba hidráulica (BDP-10A) .....
60-61	Calcomanías de repuesto .....
62	Esquema eléctrico - Briggs & Stratton .....
	Declaración de garantía .....
	Después de la Lista de partes ilustrada .....



## TABLA DE CONTENIDO

TEMA	PÁGINA
<b>Sección 1 - Información general</b>	
1.1 Introducción .....	1
1.2 Referencia de instrucciones .....	1
1.3 Servicio al motor y a los componentes del tren de transmisión .....	1
1.3 Símbolos .....	2-3
<b>Sección 2 - Información de seguridad</b>	
2.1 Introducción .....	4
2.2 Palabras de señalización .....	4
2.3 Consideraciones previas a la operación .....	4
2.4 Consideraciones de operación .....	5
2.5 Sistema de protección contra vuelco .....	6
2.6 Consideraciones de mantenimiento .....	8
2.7 Calcomanías instructivas y de seguridad .....	9
<b>Sección 3 - Especificaciones</b> .....	10-11
<b>Sección 4 - Instrucciones de operación</b>	
4.1 Identificación de controles e instrumentos .....	12
4.2 Sistema de bloqueo de seguridad .....	13
4.3 Procedimientos de arranque inicial .....	14
4.4 Arranque del motor .....	14
4.5 Desplazamiento en el terreno y dirección .....	14
4.6 Conexión de la transmisión de plataforma .....	15
4.7 Operación en una cuesta .....	16
4.8 Estacionamiento del cortacésped .....	16
4.9 Después de la operación .....	16
4.10 Retiro del material atascado .....	17
4.11 Desplazamiento del cortacésped con el motor detenido .....	17
4.12 Recomendaciones para cortar el césped .....	17
4.13 Ajuste de la altura de corte .....	17
4.14 Remolque .....	18
<b>Sección 5 - Identificación de fallas en las condiciones de corte</b> .....	19-21

# ADVERTENCIA:



## EL INCUMPLIMIENTO DE LAS PRÁCTICAS SEGURAS DE OPERACIÓN PUEDE RESULTAR EN LESIONES GRAVES.

- \* Mantenga todas las guardas en su posición, especialmente la de la tolva de descarga de césped.
- \* Antes de realizar cualquier mantenimiento o servicio, detenga la máquina y quite el cable de la bujía y la llave de encendido.
- \* Si un mecanismo se atasca, detenga el motor antes de limpiar.
- \* Mantenga las manos, los pies y la ropa lejos de las partes móviles.
- \* Lea este manual completamente así como cualquier otro manual proporcionado con su cortacésped.
- \* Mantenga a otras personas alejadas del tractor (sólo una persona debe usarlo a la vez).

## RECUERDE - ¡SU CORTACÉSPED ES TAN SEGURO COMO EL OPERADOR!

El control de riesgos y la prevención de accidentes dependen del conocimiento, el interés, la prudencia, y el entrenamiento apropiados del personal relacionado con la operación, el transporte, mantenimiento y almacenamiento del equipo.

Este manual cubre las instrucciones de operación y la lista de partes ilustradas para:

**STC48V-24BS con números de serie desde B500001 a B5099999**  
**SMT-C-48V con números de serie desde B590001 a B5999999**

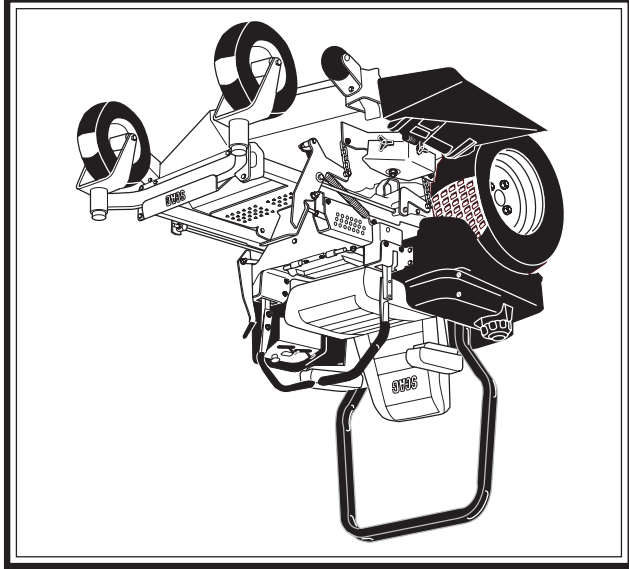
Cuando se refiera a este producto siempre use el número de serie completo que aparece en la etiqueta de número de serie.



# MANUAL DEL OPERADOR

**SCAG**<sup>®</sup>  
**POWER EQUIPMENT**

MODELO STC48V-24BS



ESTE MANUAL CONTIENE LAS INSTRUCCIONES DE OPERACIÓN Y LA INFORMACIÓN DE SEGURIDAD PARA SU CORTACÉSPED SCAG. LA LECTURA DE ESTE MANUAL LE PUEDE AYUDAR EN EL MANTENIMIENTO Y LOS PROCEDIMIENTOS DE AJUSTE A FIN DE MANTENER SU CORTACÉSPED TRABAJANDO A LA MÁXIMA EFICIENCIA. LOS MODELOS ESPECÍFICOS CUBIERTOS POR ESTE MANUAL ESTÁN INDICADOS EN LA CUBIERTA INTERIOR. ANTES DE OPERAR SU MÁQUINA, LEA TODA LA INFORMACIÓN INCLUIDA.

© 2005

Scag Power Equipment

DIVISION OF METALCRAFT OF MAYVILLE, INC.

PARTE Nº 03188  
IMPRESO EN 7/2005  
IMPRESO EN EE.UU.