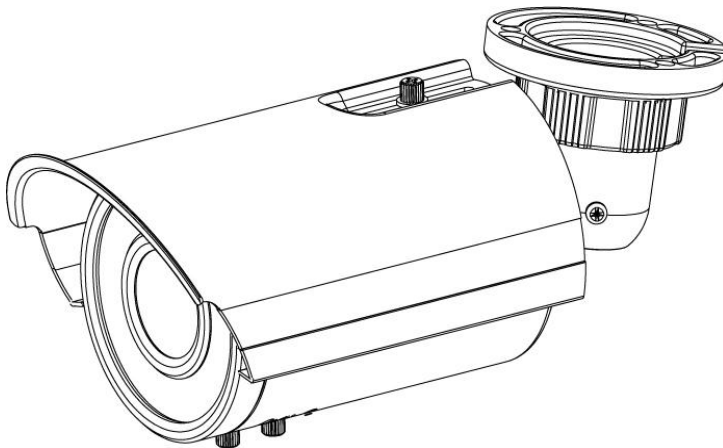




**LPRB922**

***License Plate Capture Camera***

***Installation Guide***



Speco Technologies is constantly developing product improvements  
We reserve the right to modify product design and specifications without notice and without incurring any obligation  
Rev. 3/15/10

# 1. Notice of Use

- ◆ Follow all instructions. All requirements should be followed before using this camera.
- ◆ SPECOTECH TECHNOLOGIES is not responsible for any technical or typographical errors and reserves the right to change this manual without notice.
- ◆ Keep this document for future reference.
- ◆ Please make sure the power source is 12V DC/24 V AC. Only connect to the camera to these required power systems.
- ◆ The camera must be installed on a solid mounting surface.
- ◆ Store the camera and other accessories in a dry place.
- ◆ SPECOTECH TECHNOLOGIES is not responsible for any damage caused by inappropriate use.

Specotech Technologies is constantly developing product improvements

We reserve the right to modify product design and specifications without notice and without incurring any obligation

Rev. 3/15/10

## 2. Product Overview

The LPRB922 is a high-performance plate-capture camera, equipped with a 1/3" SONY™ CCD.

Outfitted with powerful 850 nm IR, the LPRB922 works perfectly even in total darkness to deliver clear plate images. Its varifocal IR-corrected lens keeps it in focus day and night, optimizing performance even in very low light conditions. In short, the LPRB922 provides the kind of reliability and round-the-clock surveillance-and-capture capabilities crucial to maximizing the efficiency of LPR applications.

### **High Contrast Image**

The LPRB922 features high-contrast imaging performance that delivers sharp, clear license-plate captures, even of vehicles moving at 55 MPH, in bad weather, and in low-light conditions.

### **Powerful IR**

Its powerful IR functionality and IR-corrected lens deliver perfect image captures and outstanding images all day long. It is also equipped with a high-power LED to help minimize energy usage.

### **Wide Range Capture**

Its built-in 9-22mm lens captures a wide 10-27 ft. field.

### **Rain Guard/ Extendable Sunshield**

The camera's rain guard and extendable sunshield minimize the effects of rain and sunlight on image quality.

### **Easy Installation**

The cable-management bracket enables easy installation in any location, including walls, surfaces, and ceilings.

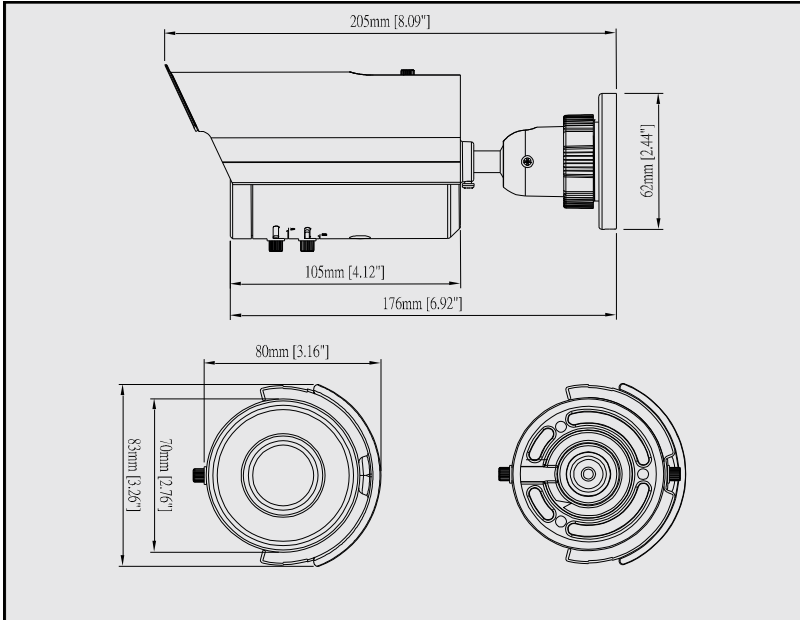
Note: Because of the special nature of this camera, it will only show pictures of license plates. All other items in the camera's field of view will be blacked out.

Speco Technologies is constantly developing product improvements

We reserve the right to modify product design and specifications without notice and without incurring any obligation

Rev. 3/15/10

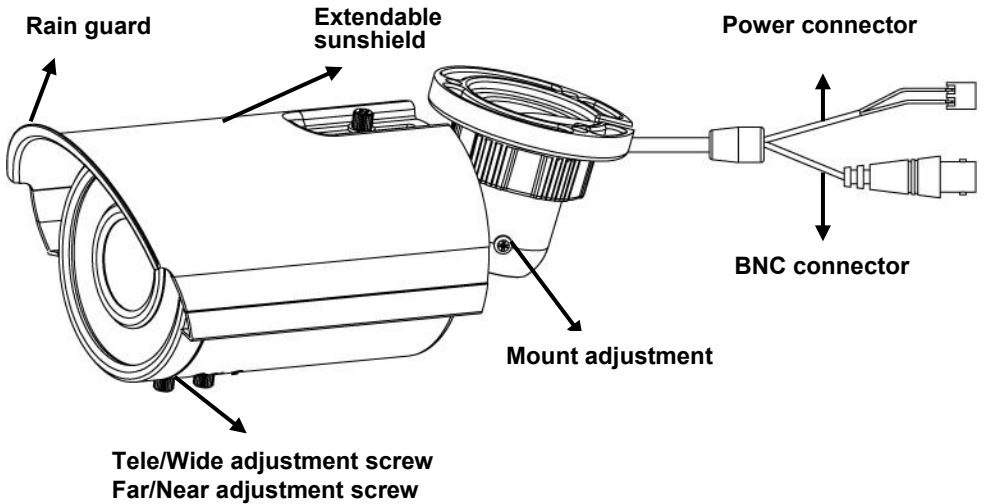
## Camera Dimensions:



Speco Technologies is constantly developing product improvements

We reserve the right to modify product design and specifications without notice and without incurring any obligation  
Rev. 3/15/10

## 2.1 Camera Parts Definition



- ◆ Rain guard/extendable sunshield: minimize the effects of rain and sunlight on image quality
- ◆ Tele/Wide and Far/Near adjustment screws: lens adjustment
- ◆ Mount adjustment: easy to mount at different angles
- ◆ BNC connector: video output
- ◆ Power connector: 12V DC / 24V AC

Speco Technologies is constantly developing product improvements

We reserve the right to modify product design and specifications without notice and without incurring any obligation  
Rev. 3/15/10

## 2.2 Specifications

Image system	
Signal system	NTSC
Image Sensor	1/3" SONY CCD
Effective pixels	768 (H) x 494 (V)
Electric	
Scanning system	2:1 Interlace V: 59.94Hz
	H: 15.734KHz
Sync system	Internal
Horizontal resolution	600 TV lines
Built-in lens	f=9mm ~ 22mm, F1.4 DC iris varifocal IR-corrected lens External adjustments (zoom and focus)
View angle	Horizontal: 32.1° (wide) ~ 13.1° (tele) Vertical: 23.3° (wide) ~ 9.8° (tele)
Gamma correction	0.45
Minimum illumination	0 Lux (IR LEDs ON)
S/N ratio	More than 50dB (AGC off)
BLC	Auto (Center Weighting)
Video output	1Vpp composite output, 75 Ohm
IR LEDs	36 Super power LEDs
IR wavelength	850nm
IR distance	50 ft.
Capture range	10~27 ft.
Capture speed	55 MPH
LED life	More than 10,000 hours (122°F)
Power supply	
Power requirement	Dual voltage: 12V DC / 24V AC
Power consumption	10W (max.)
Environment	
Operating Temp.	-14°F ~122°F
Mechanism	
Dimensions	3.26" H x 8.09" W
Weight	1.35 lbs.
Construction	Sunshield; Cable management bracket Compact die-cast aluminum; Tempered Glass
Protection class	IP66 weatherproof rating; Vandal-resistant

Speco Technologies is constantly developing product improvements

We reserve the right to modify product design and specifications without notice and without incurring any obligation  
Rev. 3/15/10

## 3. Mounting Specifications & Installation Instructions

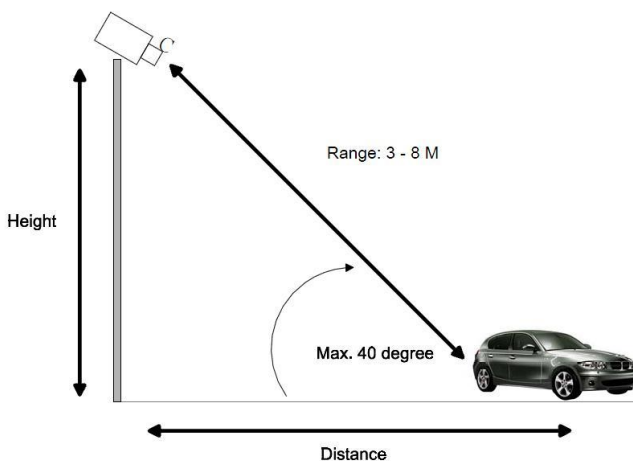
Please follow the mounting specifications to install the LPRB922 camera.

### 3.1 Package Contents

Item	Description
LPRB922 camera	camera assembly
rubber pad	static electricity protection
3 insulation tubes	static electricity protection
guide pattern sticker	mounting template
3 self-tapping screws	for mounting camera
3 plastic anchor	for cement ceiling mounting
printed material	installation guide, notice card

### 3.2 Mounting Specifications

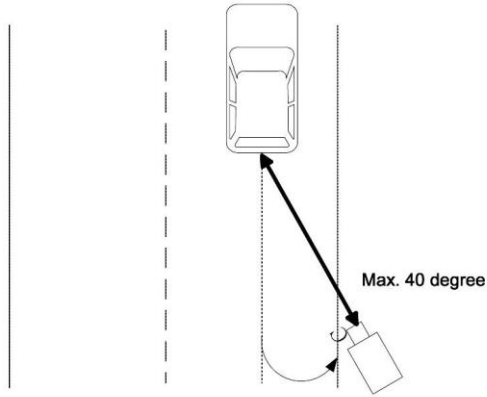
1. Use appropriate screws and select an appropriate location to install the camera.
2. Ensure the mounting surface can support the weight of the camera.
3. The width of the license plate should cover approximately 17-20% of the width of the screen.
4. The camera height should be more than 36 inches.
5. The vertical angle should be less than 40 degrees.



Speco Technologies is constantly developing product improvements

We reserve the right to modify product design and specifications without notice and without incurring any obligation  
Rev. 3/15/10

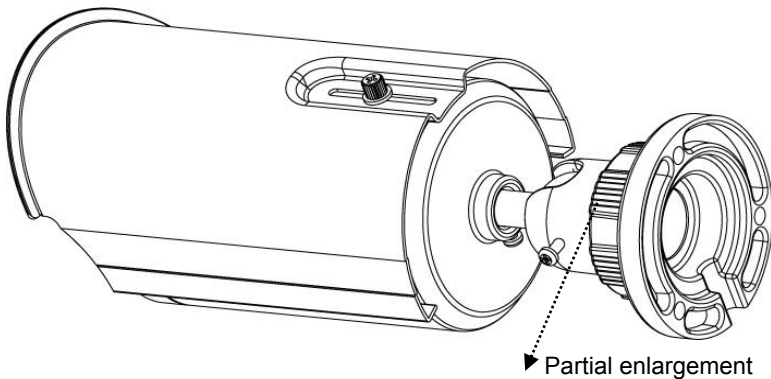
- The horizontal angle should be less than 40 degrees. This camera is designed to cover only one lane (less than 3 meters).



- If using with a DVR, make sure the DVR has the de-interlace feature and the frame rate is above 15 fps for optimal effect.
- To ensure an optimal view, please adjust the lens under the conditions we suggest.

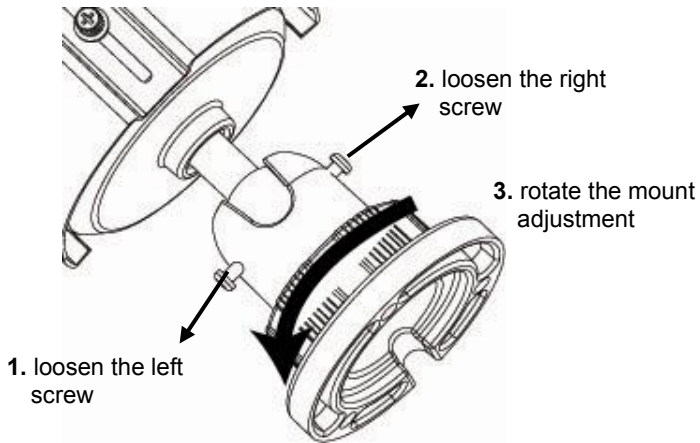
### 3.3 Camera Installation

- Mark hole positions:** use the mounting template to mark hole positions on the desired location. If you want to mount the camera on a cement surface, insert the plastic anchors into holes which you've drilled into the cement first.
- Adjust the mounting angle:** Loosen the left and right screws and rotate the mount adjustment counterclockwise to adjust a desired angle for mounting. Then, fasten the screws and rotate the mount adjustment clockwise to set desired angle.

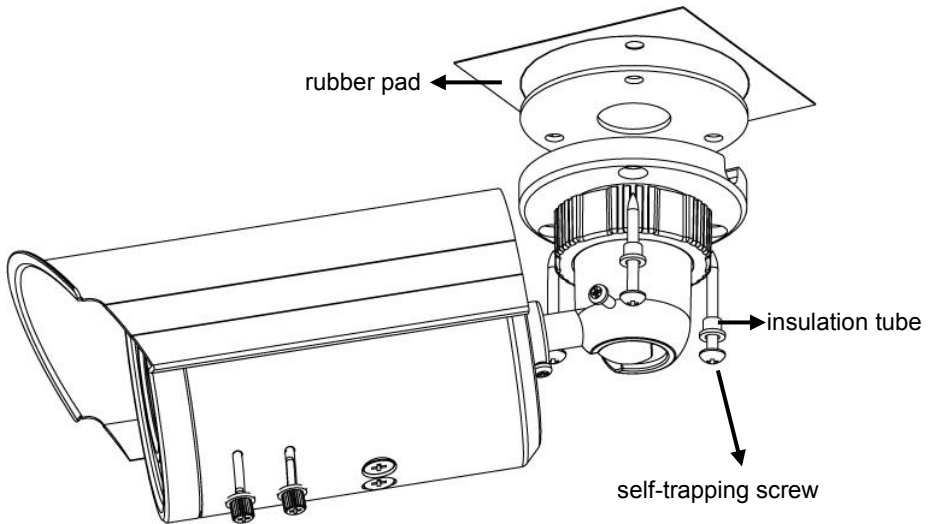


Speco Technologies is constantly developing product improvements  
We reserve the right to modify product design and specifications without notice and without incurring any obligation  
Rev. 3/15/10



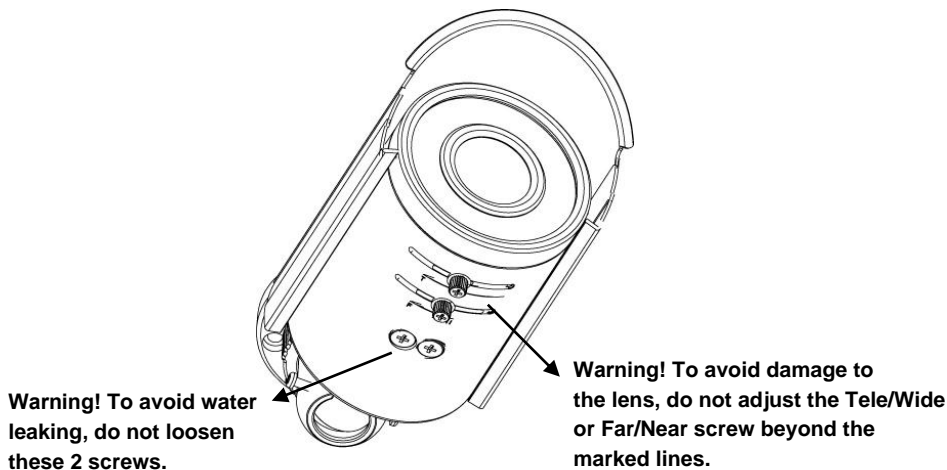


3. **Install the camera:** Lock the 3 self-trapping screws to fasten the camera. For static electricity protection, please use the rubber pad to cover the metal mount adjustment and put 3 insulation caps through the metal screws when locking the 3 self-trapping screws into the desired location.

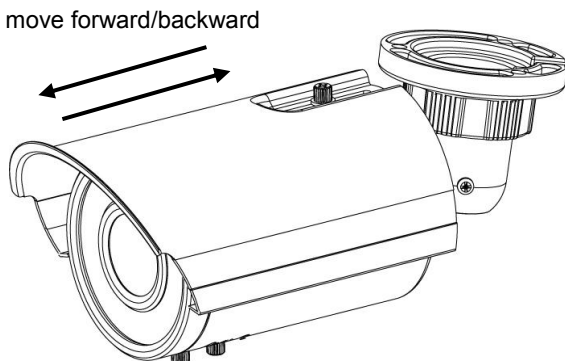


Speco Technologies is constantly developing product improvements  
We reserve the right to modify product design and specifications without notice and without incurring any obligation  
Rev. 3/15/10

4. **Adjust the lens:** loosen the Tele/Wide or Far/Near screw counterclockwise and then adjust it according to your needs. After adjustment, be sure to lock it tightly to prevent water leaking into the body of the camera.



5. **Adjust the sunshield:** loosen the screw counterclockwise, move the sunshield forward or backward and then turn the screw clockwise to fix the position of the sunshield. Be sure to adjust the sunshield in coordination with the lens to avoid reflection problems.



Speco Technologies is constantly developing product improvements  
We reserve the right to modify product design and specifications without notice and without incurring any obligation  
Rev. 3/15/10