

DE 6250

DE 6260

CHDE 6260

335 D

Dunstabzugshaube

Afzuigkap

Hotte

Cooker Hood

Montage- und Gebrauchsanweisung

Installatie- en gebruiksaanwijzing

Notice d'utilisation et d'installation

Operating and Installation Instructions

Contents

Safety warnings	38
For the user	38
For the installer	38
Description of the Appliance	40
Extractor version	40
Recirculation Version	40
Hood Operation	41
Maintenance and care	41
Metal grease filter	42
Open the metal grease filter	42
Charcoal filter	43
Changing the light bulb	44
What to do if	45
Service and spare parts	46
Technical Details	47
Electrical connection	47



Safety warnings

For the user

- The cooker hood is designed to extract unpleasant odours from the kitchen, it will not extract steam.
- Always cover lighted elements, to prevent excess heat from damaging the appliance. In the case of oil, gas and coal fired cookers it is essential to avoid open flames.
- Also, when frying, keep the deep frying pan on the cooker top/cooker under careful control.
- The hot oil in the frying pan might ignite due to overheating.
- The risk of self-ignition increases when the oil being used is dirty.
- It is extremely important to note that overheating can cause a fire.
- **Never carry out any flambé cooking under the hood.**
- **Always disconnect the unit from the power supply before carrying out any work on the hood, including replacing the light bulb** (take the cartridge fuse out of the fuse holder or switch off the automatic circuit breaker).
- **It is very important to clean the hood and replace the filter at the recommended intervals. Failure to do so could cause grease deposits to build up, resulting in a fire hazard.**

For the installer

- When used as an extractor unit, the hood must be fitted with a 120mm diameter hose.
- **When installing the hood, make sure you respect the following minimum distance from the top edge of the cooking hob/ring surfaces:**

electric cookers	600 mm
gas cookers	650 mm
coal and oil cookers	700 mm min.
- The national standard on fuel-burning systems specifies a maximum depression of 0.04 bar in such rooms.
- The air outlet must not be connected to chimney flues or combustion gas ducts. The air outlet must under no circumstances be connected to ventilation ducts for rooms in which fuel-burning appliances are installed.
- The air outlet installation must comply with the regulations laid down by the relevant authorities.
- When the unit is used in its extractor version, a sufficiently large ventilation hole must be provided, with dimensions that are approximately the same as the outlet hole.

-
- National and regional building regulations impose a number of restrictions on using hoods and fuel-burning appliances connected to a chimney, such as coal or oil room-heaters and gas fires, in the same room.
 - Hoods can only be used safely with appliances connected to a chimney if the room and/or flat (air/environment combination) is ventilated from outside using a suitable ventilation hole approximately 500-600 cm² large to avoid the possibility of a depression being created during operation of the hood.
 - If you have any doubts, contact the relevant controlling authority or building inspector's office.
 - Since the rule for rooms with fuel burning appliances is "outlet hole of the same size as the ventilation hole", a hole of 500-600 cm², which is to say a larger hole, could reduce the performance of the extractor hood.
 - If the hood is used in its filtering function, it will operate simply and safely in the above conditions without the need for any of the aforementioned measures.
 - When the hood is used in its extractor function, the following rules must be followed to obtain optimal operation:
 - short and straight outlet hose
 - keep bends in outlet hose to a minimum
 - never install the hoses with an acute angle, they must always follow a gentle curve only
 - keep the hose as large as possible (preferably the same diameter as the outlet hole).
 - Failure to observe these basic instructions will drastically reduce the performance and increase the noise levels of the extractor hood.

Description of the Appliance

- The cooker hood is designed to extract unpleasant odours from the kitchen, it will not extract steam.
- The hood is supplied as an extractor unit and can also be used in a recirculation mode by fitting one charcoal filter (available from your local Service Force Centre).

Extractor version

- In this version fumes are extracted to the outside via a hose.
- In order to obtain the best performance the hose should have a diameter equal to the outlet hole.

Recirculation Version

- The air is filtered through a charcoal filter and returned to the kitchen.
- You will need an original AEG charcoal filter for the recirculation function. (Available from your local Service Force Centre).
- Insert the charcoal filter into the lugs of the frame above using the 2 red lugs **E** to retain it, press the red lugs inwards, and insert the charcoal filter in the frame. **Fig. 1**.

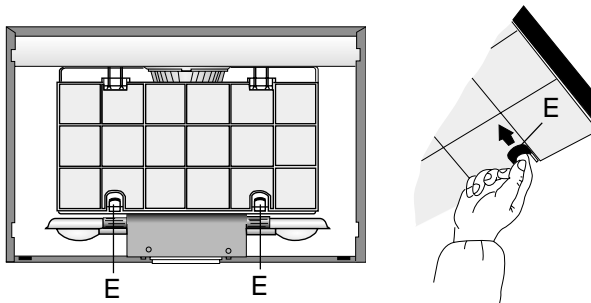
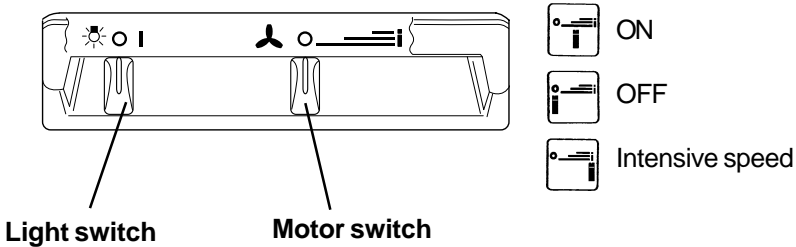


Fig. 1

Hood Operation

- Best results are obtained by using a low speed for normal conditions and high speed when odours are more concentrated. Turn the hood on a few minutes before you start cooking then you will get an underpressure in the kitchen. It should be left on after cooking for about 15 minutes or until all odours have disappeared. The control switches are located on the unit's front panel:



The hood is also equipped with a micro-switch which can be found under the lower runner of the visor on the right hand side.

With this micro-switch, the appliance may be automatically switched on and off by opening and closing the pull-out panel, but only if the fan speed has already been set and the light button is turned to "I".

Maintenance and care

- **The hood must always be disconnected from the electricity supply before beginning any maintenance work.**
- Never insert pointed objects in the motor's protective grid.
- Wash the outside surfaces using a delicate detergent solution. Never use caustic detergents or abrasive brushes or powders.
- Only ever clean the switch panel and filter grille using a damp cloth and delicate detergents.
- It is extremely important to clean the unit and change the filters at the recommended intervals. Failure to do so will cause grease deposits to build up that could constitute a fire hazard.

Metal grease filter

- The purpose of the grease filters is to aspirate grease particles which form during cooking and it **must** always be used, either in the external evacuation or internal recycling function.
Attention: the metal grease filters must be removed and washed, either by hand or in the dishwasher, every four weeks.

Open the metal grease filter

- **Model CHDE 6260:** To remove the grease filters, first pull the handles upwards, then extract the filter outwards. **Fig. 2a.**
- **Model 335 D:** To remove the grease filters, first remove the grid (see Fig. 2a) and take out the grease filters pushing on the locking springs Z. **Fig. 2b.**

Hand washing

Soak grease filters for about one hour in hot water with a grease-loosening cleaner, then rinse off thoroughly with hot water. Repeat the process if necessary. Refit the grease filters when they are dry.

Dishwasher

Place grease filters in the dishwasher. Select most powerful washing programme and highest temperature, at least 65°C. Repeat the process. Refit the grease filters when they are dry.

When washing the metal grease filter in the dishwasher a slight discolouration of the filter can occur, this does not have any impact on its performance.

- Clean the inner housing using a hot detergent solution only (never use caustic detergents, abrasive powders or brushes).

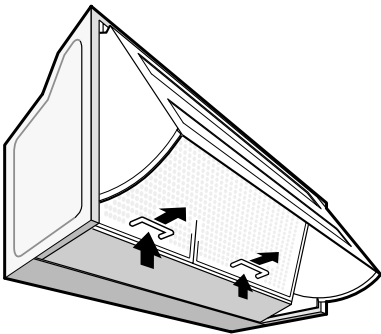


Fig. 2a

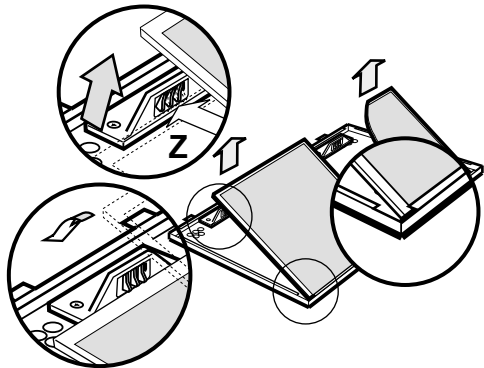


Fig. 2b

Charcoal filter

- The charcoal filter should only be used if you want to use the hood in the recirculation function.
- To do this you will need an original AEG charcoal filter (available from your local Service Force Centre).
- The charcoal filter cannot be washed nor regenerated.
The charcoal filter should be replaced every 12 months under normal use.
Replacement filters are available from your local Service Force Centre.

Fitting the charcoal filter:

Insert the charcoal filter into the lugs of the frame above using the 2 red lugs **E** to retain it, press the red lugs inwards, and insert the charcoal filter in the frame. **Fig. 3**.

Removing:

- Press both red lugs **E** upwards (towards the inside of the housing) and remove the charcoal filter downwards. **Bild. 3**.
- Always specify the hood model code number and serial number when ordering replacement filters. This information is shown on the registration plate located on the inside of the unit.
- The charcoal filter can be ordered from your local Service Force Centre.

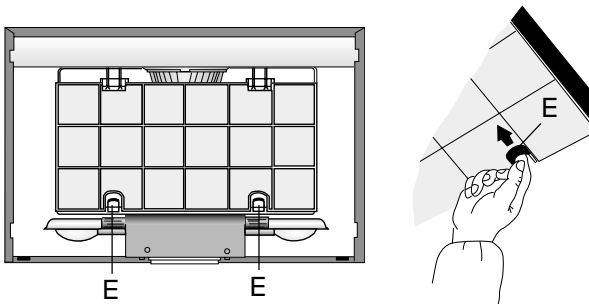


Fig. 3



Warning

- Failure to observe the instructions on cleaning the unit and changing the filters will cause a fire hazard. You are therefore strongly recommended to follow these instructions.
- The manufacturer declines all responsibility for any damage to the motor or any fire damage linked to inappropriate maintenance or failure to observe the above safety recommendations.

Changing the light bulb

- Disconnect the cooker hood from the main supply.
- Remove the grease filter/s or the grid (model 335 D).
- Replace the old bulb with a new one of the same type.
- Refit the grease filter/s or the grid.
- If the light does not come on, make sure the bulb has been inserted correctly before contacting your local Service Force Centre.

What to do if

If your appliance fails to work properly please carry out the following checks.

Symptom	Solution
The cooker hood will not start...	Check that: The hood is connected to the electricity supply. Check that a fan speed has been selected
The cooker hood is not working effectively..	Check that: The fan speed is set high enough for the task. The grease filters are clean. The kitchen is adequately vented to allow the entry of fresh air. If set up for recirculation, check that the charcoal filter is still effective. If set up for extraction, check that the ducting and outlets are not blocked.
The cooker hood has switched off during operation...	The safety cut-out device has been tripped. Turn off the hob and then wait for the device to reset. If the hood has been installed below the heights indicated in the installation instructions the motor will cut-out frequently which will damage the hood.

If after all these checks, the problem persists, contact your local Service Force Centre, quoting the model and serial number. Please note that it will be necessary to provide proof of purchase for any in-guarantee service calls. In-guarantee customers should ensure that the above checks have been made as the engineer will make a charge if the fault is not a mechanical or electrical breakdown.

Service and spare parts

In the event of your appliance requiring service, or if you wish to purchase spare parts, contact your local AEG Service Force Centre by telephoning

08705 929 929

Your call will be automatically routed to the Service Centre covering your post code area.

For the address of your local Service Force Centre and further information about Service Force, please visit the website at www.serviceforce.co.uk

Please ensure that you have read the section „What to do if....“ as the engineer will make a charge if the fault is not a mechanical or electrical breakdown even the appliance is under warranty.

Please note that proof of purchase is required for in-guarantee service calls.

Help us to help you

Please determine your type of enquiry before writing or telephoning.

When you contact us we need to know:

- Your name
- Address and post code
- Telephone number
- Clear and concise details of the fault
- Name and model of the appliance*
- E number*

* This information can be found on the rating plate, which can be seen when the grease filters are removed.

Technical Details

Model:	CHDE 6260	335D
	DE 6260	
	DE 6250	
Maximum absorbed power:	330 W	230 W
Fuse rating:	T6A 250V	T6A 250V
Motor absorption:	2 x 125 W	1 x 150 W
Lighting:	2 x 40 W	2 x 40 W
Duct diameter	Ø 120 mm	Ø 120 mm
Length of the cable:	150 cm	150 cm

Electrical connection

Safety warnings for the electrician

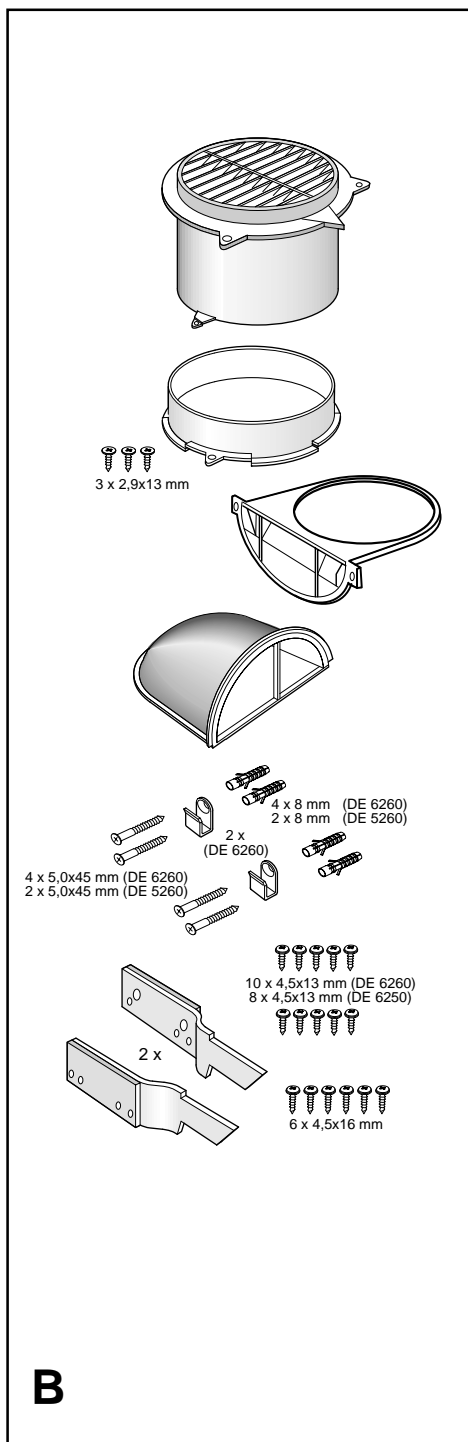
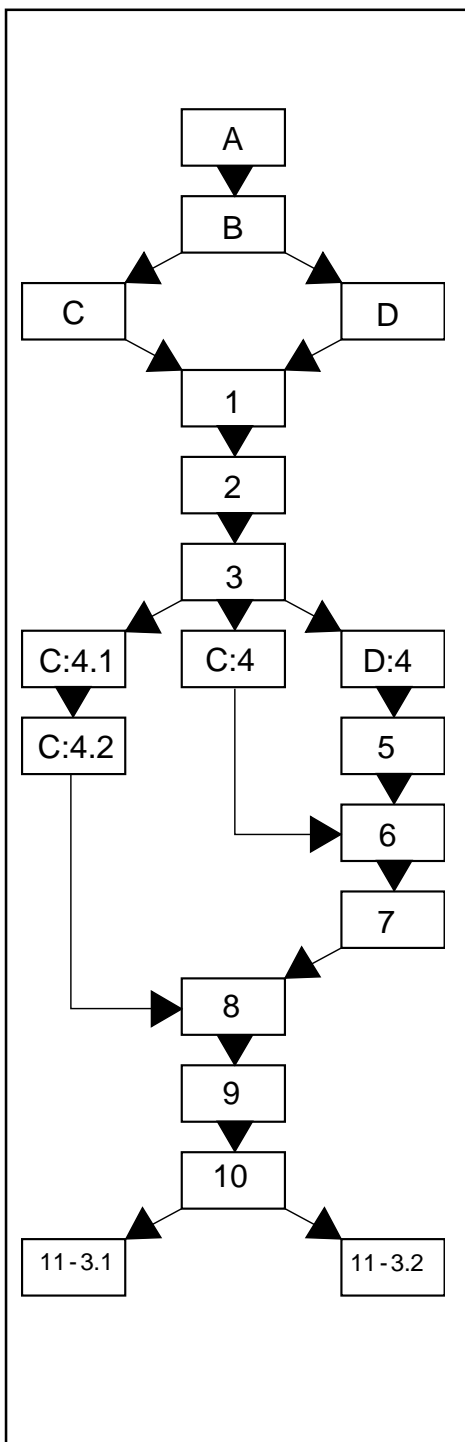
The electric outlet should be placed on the wall inside the chimney. The hood has a power cable, 150 cm, with earth connection and the rated voltage is 220 - 240 V (CHDE 6260/335D) - 230V (DE 6260 - DE 6250).

Connect the hood to the mains supply via a double pole switch which has 3 mm minimum separation between the contacts.

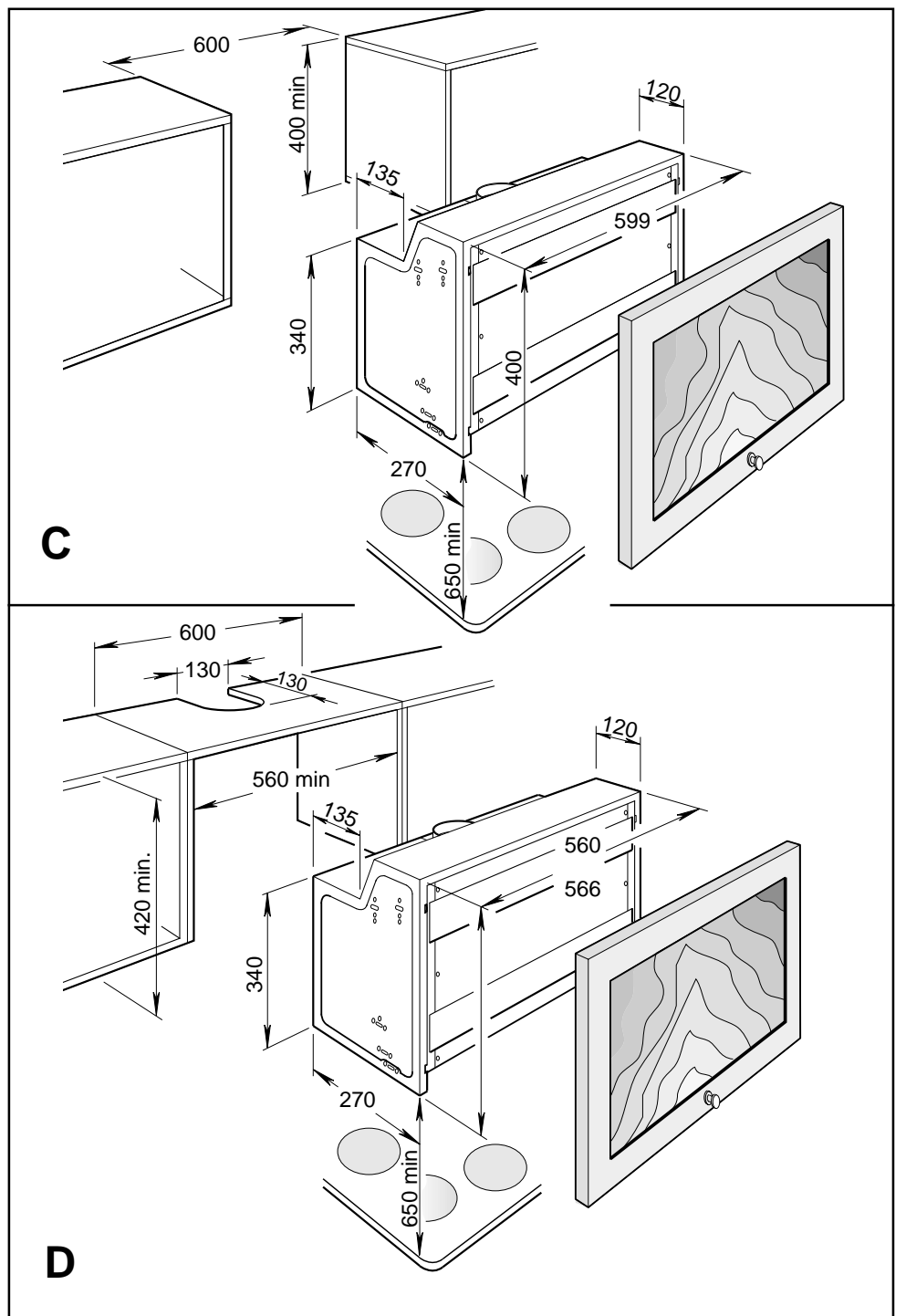
The switch must be accessible at all times.

The following is valid in the United Kingdom only:

- the wire which is coloured green and yellow must be connected to the terminal which is marked with the letter E or by the earth symbol (\perp), or coloured green or green and yellow;
- the wire which is coloured blue must be connected to the terminal which is marked with the letter N or coloured black, -
- the wire which is coloured brown must be connected to the terminal which is marked with the letter L or coloured red.

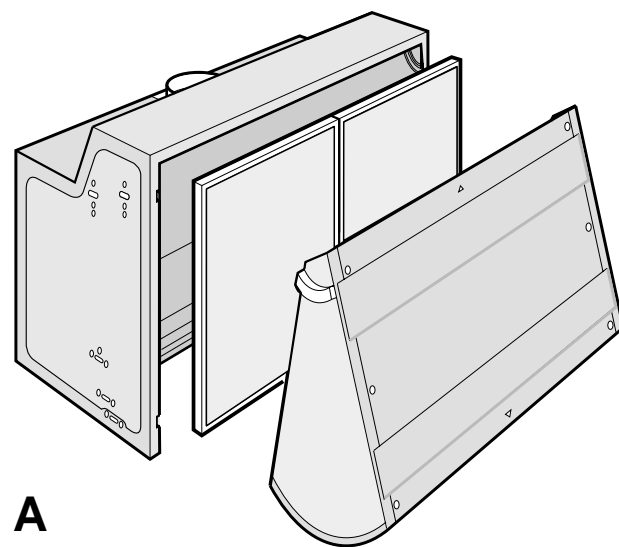


2



3

DE 6250-ml
DE 6260-ml



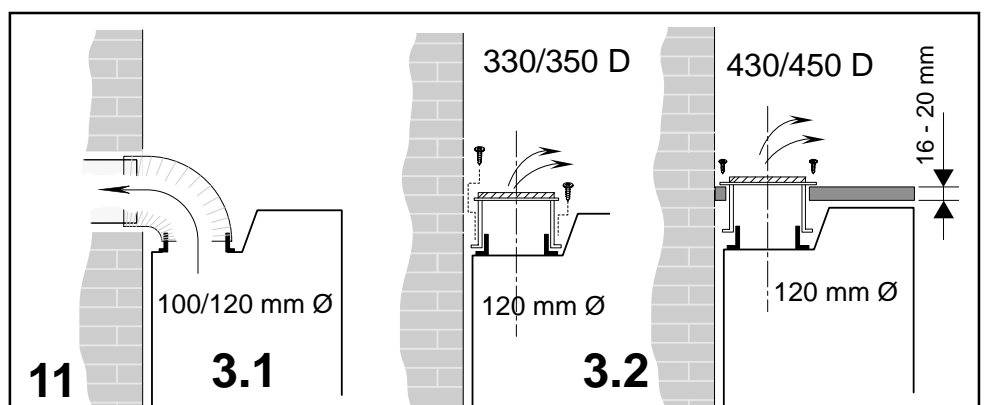
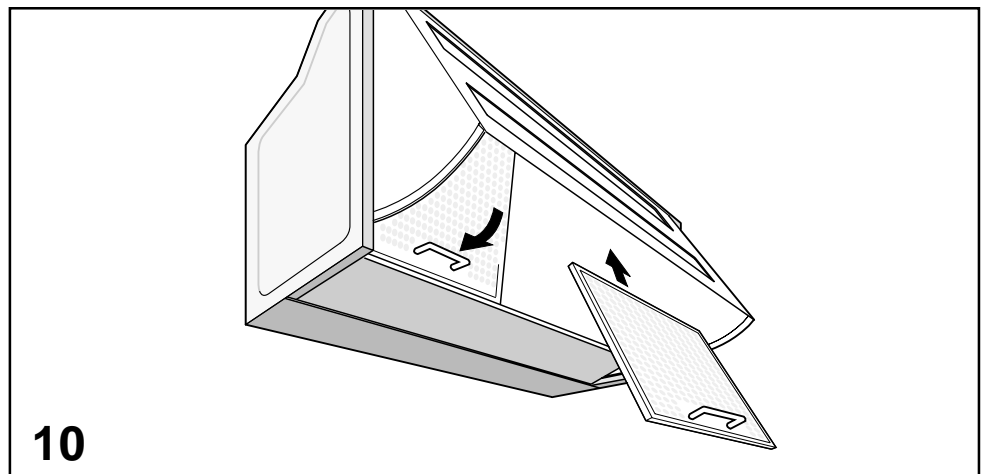
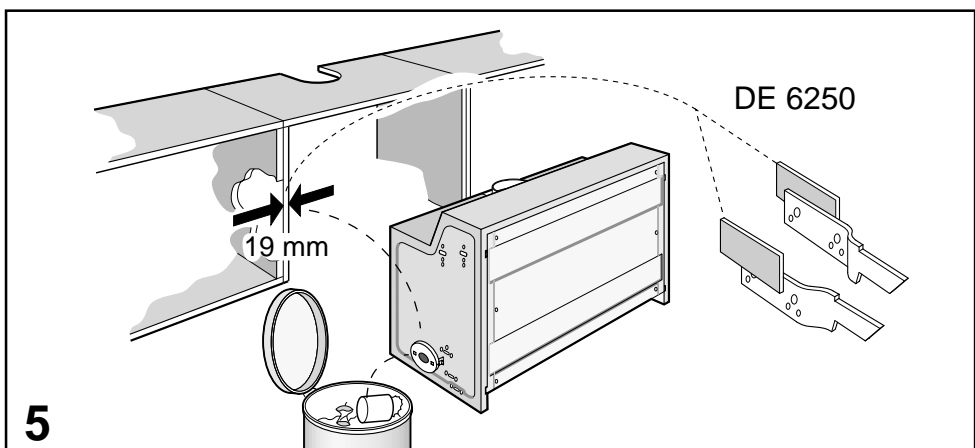
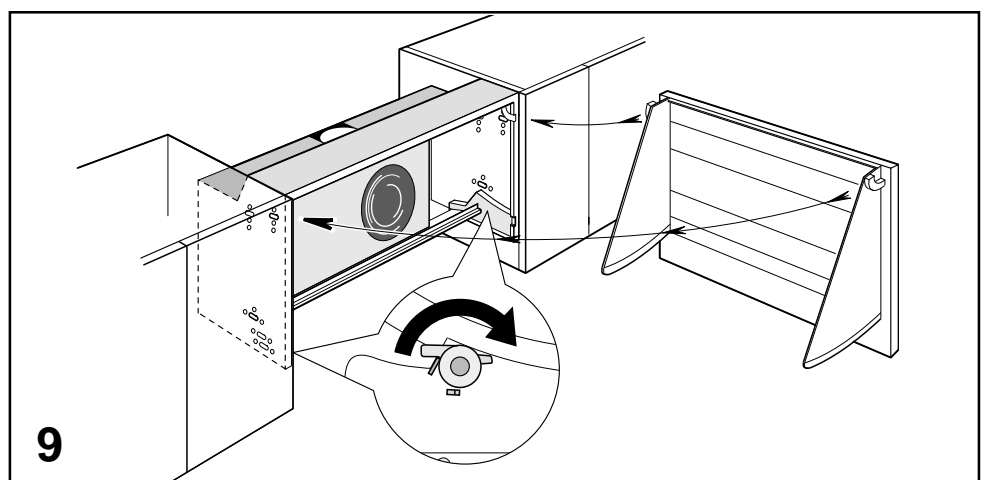
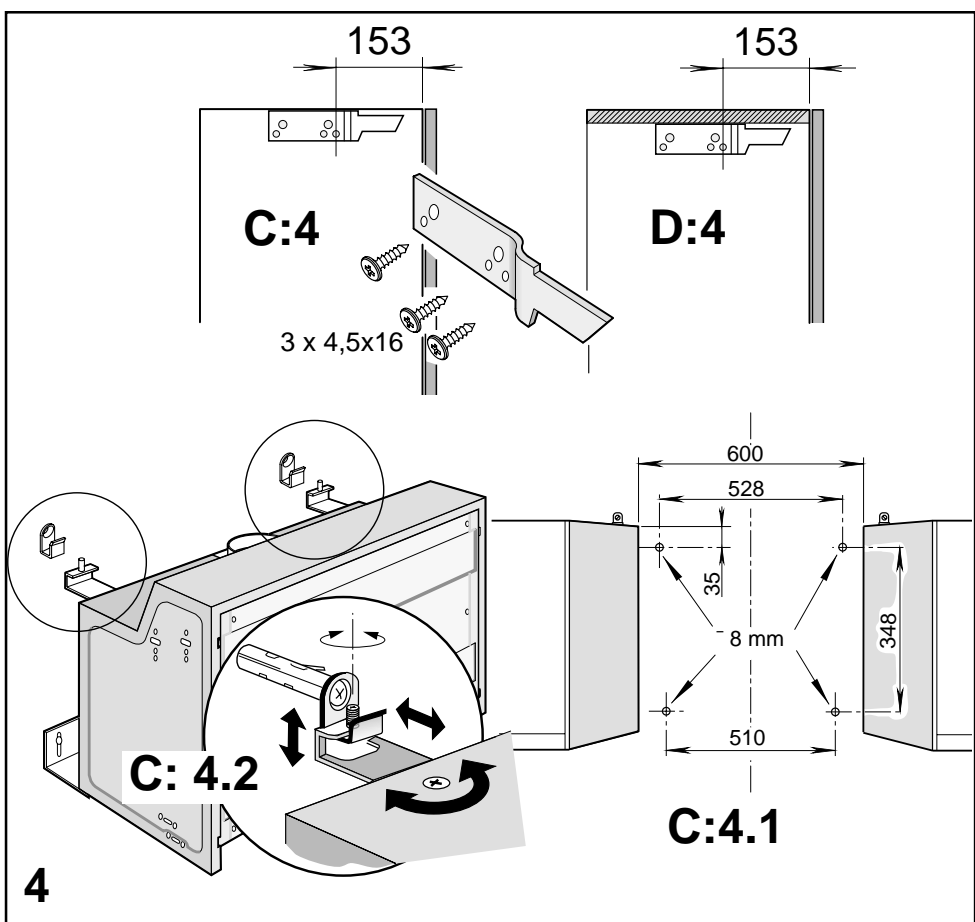
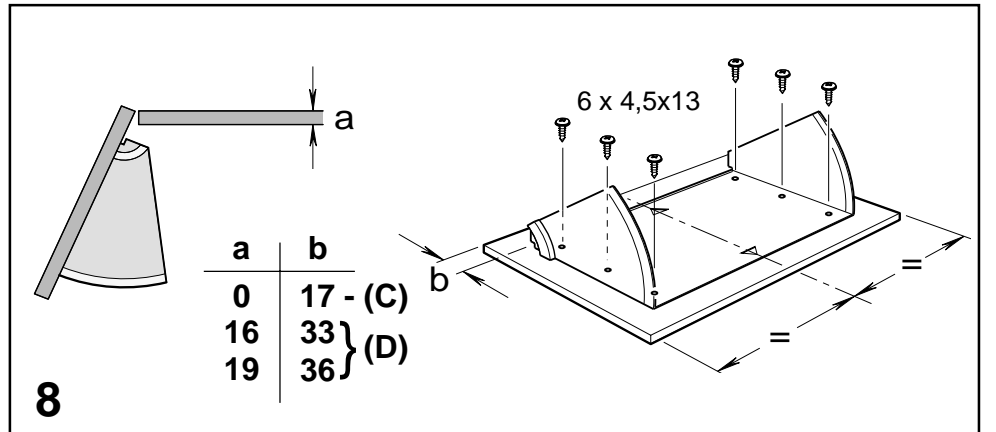
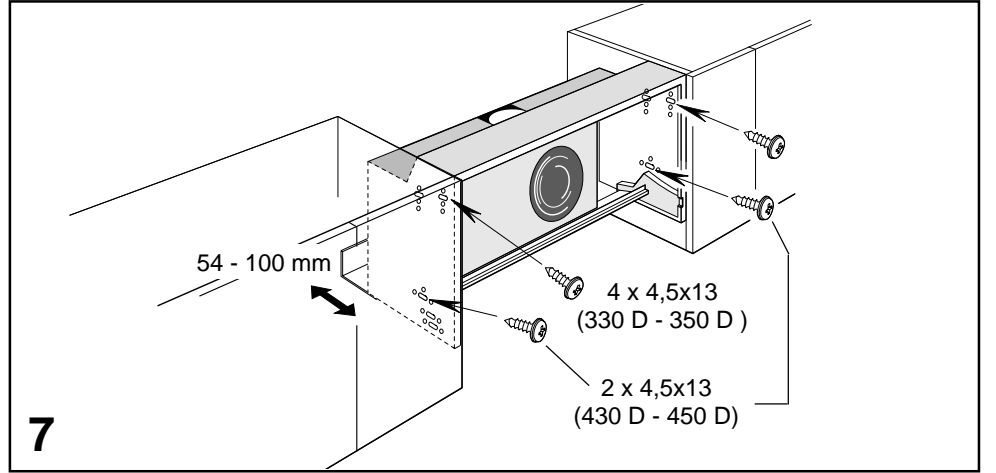
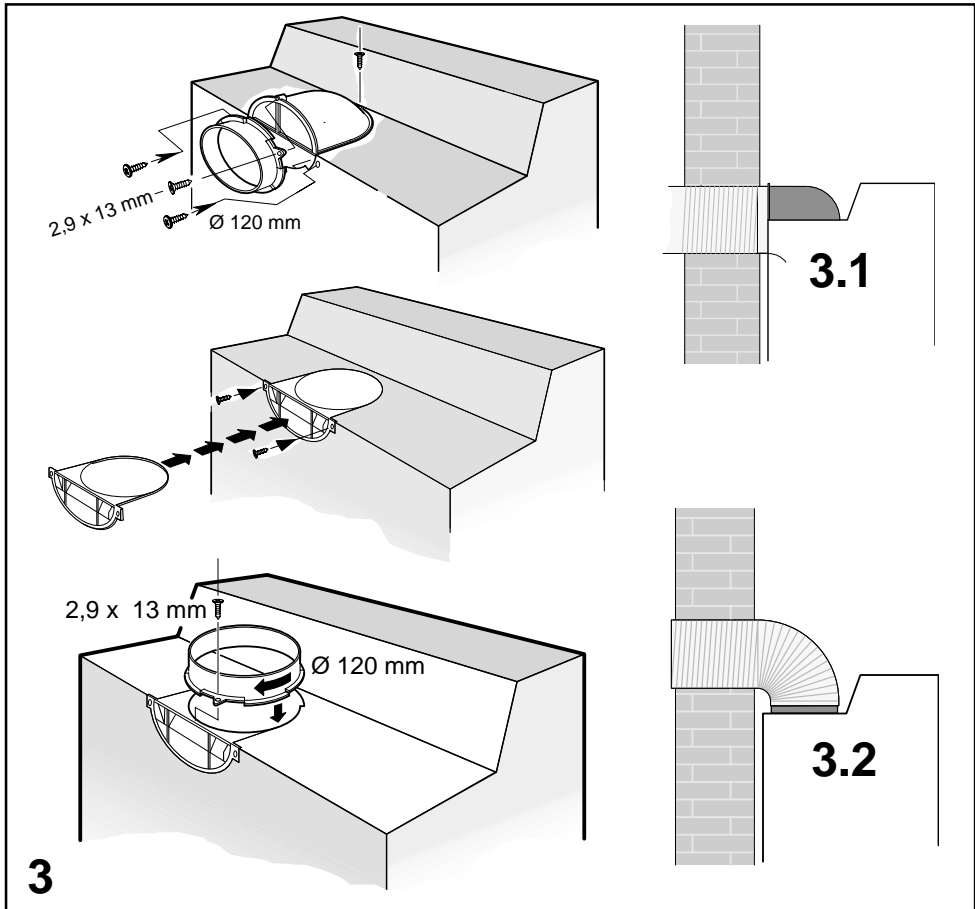
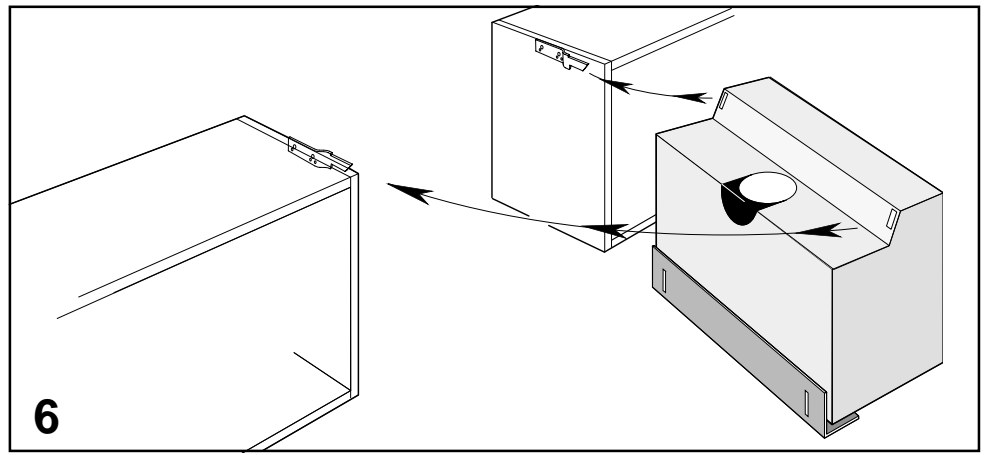
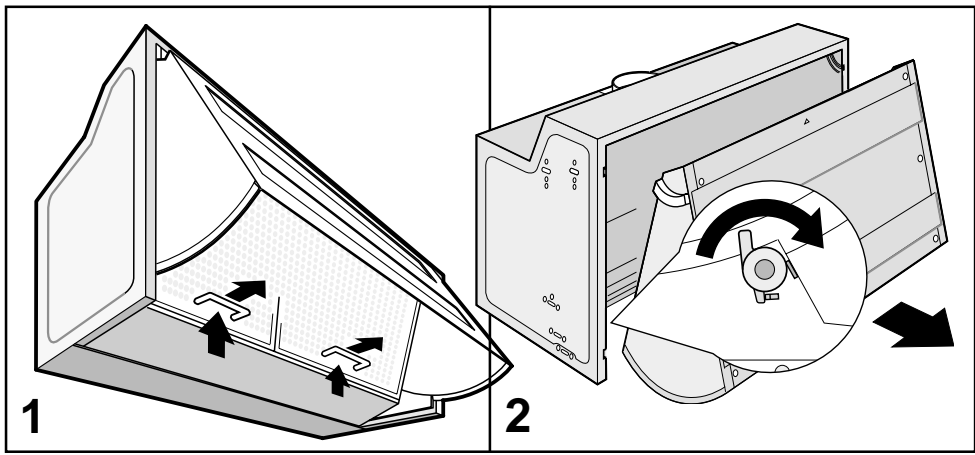
A

AEG Hausgeräte GmbH
Postfach 1036
D-90327 Nürnberg

<http://www.aeg.hausgeraete.de>

© Copyright by AEG

LI1R6A



**AEG Hausgeräte GmbH
Postfach 1036
D-90327 Nürnberg**

**<http://www.aeg.hausgeraete.de>
<http://www.aeg.co.uk>**

© Copyright by AEG

LI1R7B Ed. 07/02