

X9

InFocus

Quick Start

Guide de Démarrage Rapide

Schnellstart-Anleitung

Guía de Inicio Rápido

Guida di Consultazione Rapida

Snelstartgids

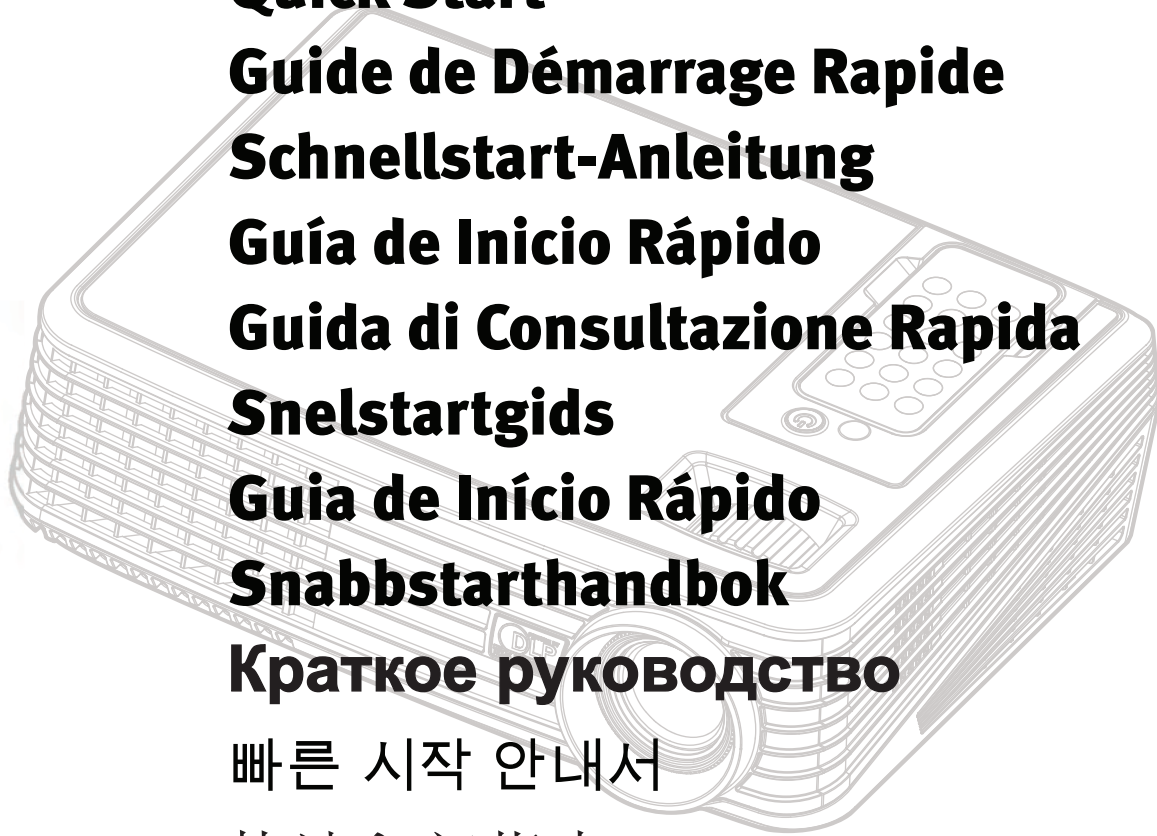
Guia de Início Rápido

Snabbstarthandbok

Краткое руководство

빠른 시작 안내서

快速入门指南

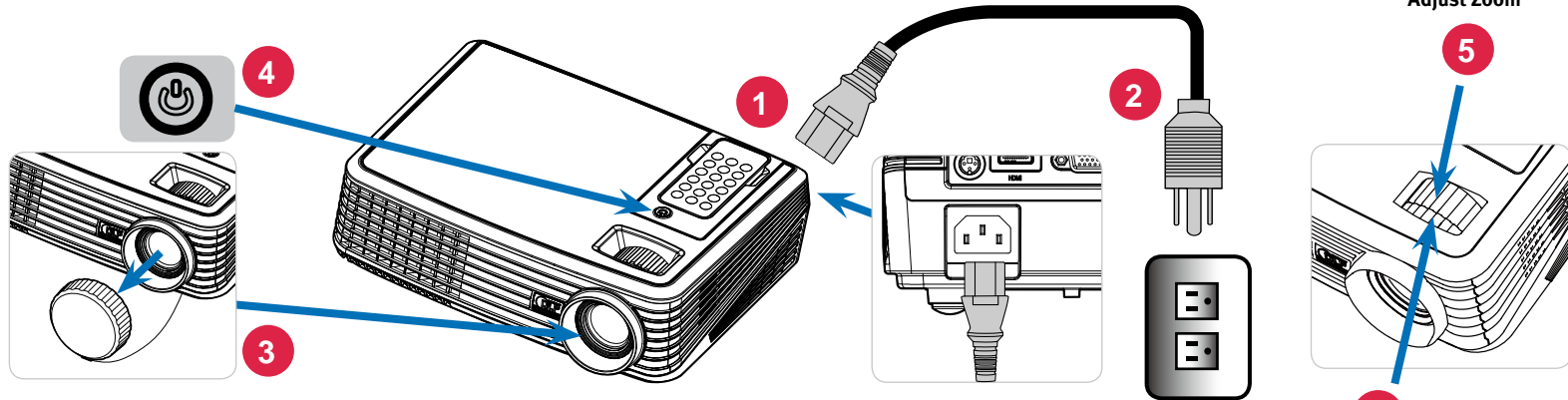


Regulatory model T90

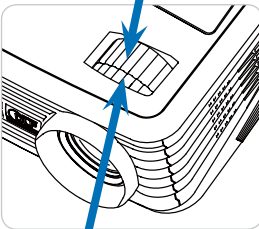
Quick Start X9



Please read the safety instructions booklet before setting up the projector.



Adjust Zoom



Adjust Focus

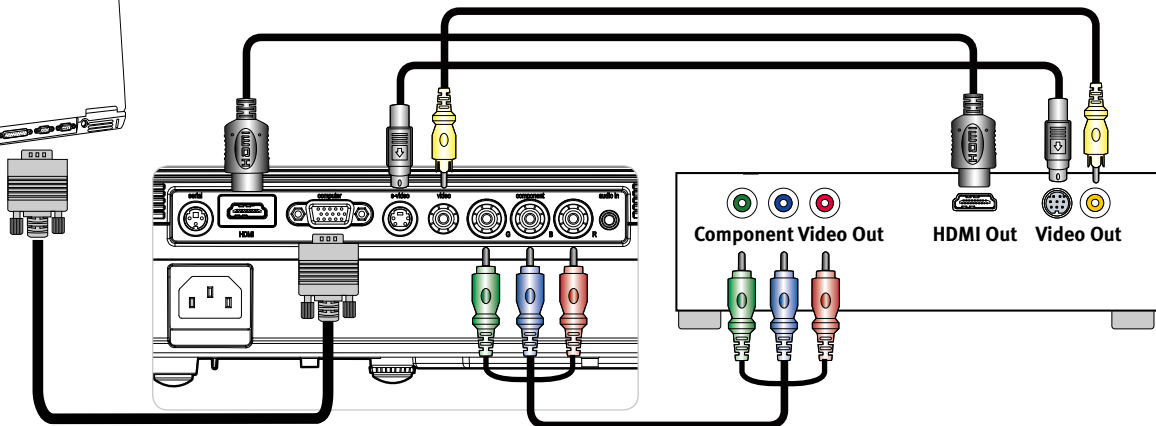
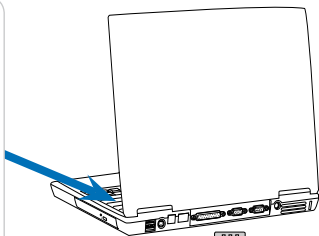


Warning: Do not look directly into the lens when the projector is turned on.

Toggle Output Settings

Fn + F7	CRT/LCD
Compaq	[Fn] + [F4]
Dell	[Fn] + [F8]
Gateway	[Fn] + [F4]
Hewlett Packard	[Fn] + [F4]
IBM/ThinkPad	[Fn] + [F7]
NEC	[Fn] + [F3]
Toshiba	[Fn] + [F5]

Apple Macintosh:
System Preferences → Display → Arrangement → Mirror display





Warning: In the unlikely event of a lamp rupture, particles may be ejected from the projector. Keep out of the area under and around the projector when it is turned on. See the safety instructions booklet for more details.

Questions? We're here to help!

Visit us at: www.infocus.com/support

Hg - Lamp contains mercury. Manage in accordance with local disposal laws.

See www.lamprecycle.org

Declaration of Conformity

InFocus Corporation, 27500 SW Parkway Ave. Wilsonville, Oregon 97070-8238 USA

European Office: Louis Armstrongweg 110, 1311 RL Almere, The Netherlands

We declare under our sole responsibility that this projector conforms to the following directives and norms: EMC Directive 2004/108/EC, EMC: EN 55022, EN 55024, EN 61000-3-2, EN 61000-3-3, Low Voltage Directive 2006/95/EC, Safety: IEC 60950-1:1st Edition

Trademarks

Apple, Macintosh, and PowerBook are trademarks or registered trademarks of Apple Computer, Inc. IBM is a trademark or registered trademark of International Business Machines, Inc. Microsoft, PowerPoint, and Windows are trademarks or registered trademarks of Microsoft Corporation. Adobe and Acrobat are trademarks or registered trademarks of Adobe Systems Incorporated. InFocus, In Focus, and INFOCUS (stylized), LP, LiteShow, ScreenPlay, LitePort, ASK and Proxima are either registered trademarks or trademarks of InFocus Corporation in the United States and other countries.

FCC Warning

Note: This equipment has been tested and found to comply with the limits for a Class B digital device, pursuant to part 15 of the FCC Rules. These limits are designed to provide reasonable protection against harmful interference in a residential installation. This equipment generates, uses and can radiate radio frequency energy and, if not installed and used in accordance with the instructions, may cause harmful interference to radio communications. However, there is no guarantee that interference will not occur in a particular installation. If this equipment does cause harmful interference to radio or television reception, which can be determined by turning the equipment off and on, the user is encouraged to try to correct the interference by one or more of the following measures:

- Reorient or relocate the receiving antenna.
- Increase the separation between the equipment and receiver.
- Connect the equipment into an outlet on a circuit different from that to which the receiver is connected.
- Consult the dealer or an experienced radio/TV technician for help.

Changes or modifications to this equipment that are not expressly approved by InFocus Corp. may void the user's authority to operate the equipment.

Canada

This Class B digital apparatus complies with Canadian ICES-003.

Cet appareil numérique de la classe B est conforme à la norme NMB-003 du Canada.

Agency Approvals Product Models: T90

Please see product certification label for country approvals.

InFocus reserves the right to alter product offerings and specifications at any time without notice.

USA, Canada, Latin America

Customer Support Telephone

+1 (503) 685-8888

TOLL FREE: 800-799-9911

Mon-Fri, 7 am - 5 pm Pacific

techsupport@infocus.com

Europe, Middle East, Africa

Customer Support Telephone

+31 (0)36 539 2820

Mon-Fri, 08:30 - 18:00 CET

emea.support@infocus.com

Asia Pacific

Customer Support Telephone

Singapore: +65 63539449

China: 800.828.2268

Australia: 1300-725-295

Australia Direct Sales: 1800-885-841

Mon-Fri, 9 am - 5 pm SGT

asia-support@infocus.com



P/N 36.8AM15G001-A

009-1241-00 