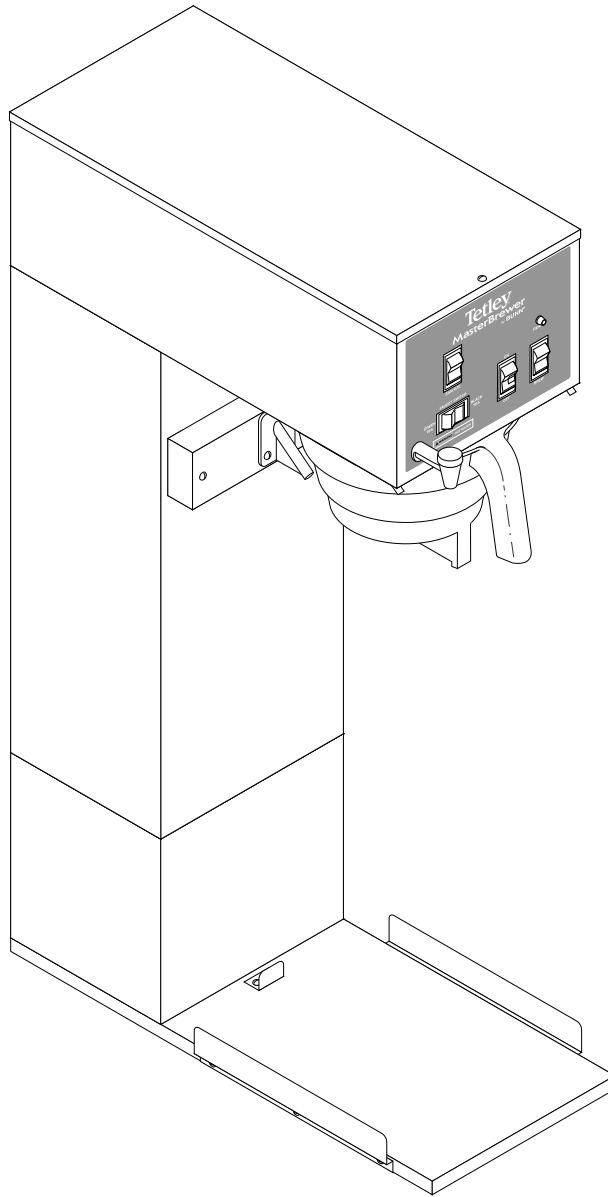


BUNN®

TU3QF-EZ



OPERATING & SERVICE MANUAL
BUNN-O-MATIC CORPORATION

POST OFFICE BOX 3227
SPRINGFIELD, ILLINOIS 62708-3227
PHONE: (217) 529-6601 FAX: (217) 529-6644

CONTENTS

User Notices	3
Electrical Requirements	4
Plumbing Requirements	4
Initial Set-Up	5
Operating Controls	5
Cleaning	6
Tea Brewing	6
Adjustments and Optional Settings	7
Troubleshooting	8
Service	15
Wiring Schematics	26

INTRODUCTION

This equipment will brew a four-gallon batch of fresh tea into an awaiting dispenser. The tea will be dispensed at approximately room temperature to conserve ice. The brewer also has a hot water faucet for allied beverage use. The brewer is only for indoor use on a sturdy counter or shelf.

WARRANTY

Bunn-O-Matic Corp. ("Bunn") warrants the equipment manufactured by it to be commercially free from defects in material and workmanship existing at the time of manufacture and appearing within one year from the date of installation. In addition:

1.) Bunn warrants electronic circuit and/or control boards to be commercially free from defects in material and workmanship for three years from the date of installation.

2.) Bunn warrants the compressor on refrigeration equipment to be commercially free from defects in material and workmanship for two years from the date of installation.

3.) Bunn warrants that the grinding burrs on coffee grinding equipment will grind coffee to meet original factory screen sieve analysis for three years from date of installation or for 30,000 pounds of coffee, whichever comes first.

This warranty does not apply to any equipment, component or part that was not manufactured by Bunn or that, in Bunn's judgement, has been affected by misuse, neglect, alteration, improper installation or operation, improper maintenance or repair, damage or casualty.

THE FOREGOING WARRANTY IS EXCLUSIVE AND IS IN LIEU OF ANY OTHER WARRANTY, WRITTEN OR ORAL, EXPRESS OR IMPLIED, INCLUDING, BUT NOT LIMITED TO, ANY IMPLIED WARRANTY OF EITHER MERCHANTABILITY OR FITNESS FOR A PARTICULAR PURPOSE. The agents, dealers or employees of Bunn are not authorized to make modifications to this warranty or to make additional warranties that are binding on Bunn. Accordingly, statements by such individuals, whether oral or written, do not constitute warranties and should not be relied upon.

The Buyer shall give Bunn prompt notice of any claim to be made under this warranty by telephone at (217) 529-6601 or by writing to Post Office Box 3227, Springfield, Illinois, 62708-3227. If requested by Bunn, the Buyer shall ship the defective equipment prepaid to an authorized Bunn service location. If Bunn determines, in its sole discretion, that the equipment does not conform to the warranty, Bunn shall repair the equipment with no charge for parts during the warranty period and no charge for labor by a Bunn Authorized Service Representative during the warranty period. If Bunn determines that repair is not feasible, Bunn shall, at its sole option, replace the equipment or refund the purchase price for the equipment.

THE BUYER'S REMEDY AGAINST BUNN FOR THE BREACH OF ANY OBLIGATION ARISING OUT OF THE SALE OF THIS EQUIPMENT, WHETHER DERIVED FROM WARRANTY OR OTHERWISE, SHALL BE LIMITED, AS SPECIFIED HEREIN, TO REPAIR OR, AT BUNN'S SOLE OPTION, REPLACEMENT OR REFUND.

In no event shall Bunn be liable for any other damage or loss, including, but not limited to, lost profits, lost sales, loss of use of equipment, claims of Buyer's customers, cost of capital, cost of down time, cost of substitute equipment, facilities or services, or any other special, incidental or consequential damages.

03409.0000

ELECTRICAL REQUIREMENTS

CAUTION - The brewer must be disconnected from the power source until specified in *Initial Set-Up*.

120V model brewer requires 2-wire, grounded service rated 120 volts ac, 15 amp, single phase, 60 Hz. Proceed as follows:

Electrical Hook-Up

CAUTION – Improper electrical installation will damage electronic components.

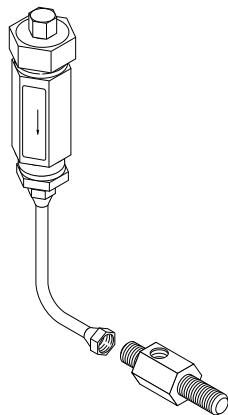
1. An electrician must provide electrical service as specified.
2. Using a voltmeter, check the voltage at the electrical source.
3. Connect the brewer to the power source.
4. If plumbing is to be hooked up later be sure the brewer is disconnected from the power source. If plumbing has been hooked up, the brewer is ready for *Initial Set-Up*.

PLUMBING REQUIREMENTS

The brewer must be connected to a cold water system with operating pressure between 20 and 90 psi (138 and 620 kPa) from a ½" or larger supply line. A shut-off valve should be installed in the line before the brewer. Install a regulator in the line when pressure is greater than 90 psi(620 kPa) to reduce it to 50 psi(345 kPa). The water inlet fitting is ¼" flare.

NOTE - Bunn-O-Matic recommends ¼" copper tubing for installations of less than 25 feet and ⅜" for more than 25 feet from the ½" water supply line. A tight coil of copper tubing in the water line will facilitate moving the brewer to clean the countertop. Bunn-O-Matic does not recommend the use of a saddle valve to install the brewer. The size and shape of the hole made in the supply line by this type of device may restrict water flow.

This equipment must be installed to comply with the Basic Plumbing Code of the Building Officials and Code Administrators International, Inc. (BOCA) and the Food Service Sanitation Manual of the Food and Drug Administration (FDA).



P2183

1. Remove the shipping cap from the bulkhead fitting on the rear of the brewer.
2. Attach the flare fitting from the short piece of tubing on the strainer/flow control (supplied) to the water inlet fitting at the rear of the brewer.
3. Flush the water line and securely attach it to the flare fitting on the strainer/flow control.
4. Turn on the water supply.

INITIAL SET-UP

CAUTION - The brewer must be disconnected from the power source throughout the *Initial Set-up*, except when specified in the instructions.

1. Insert an empty funnel into the funnel rails.
2. Place an empty container of at least 4 gallons capacity under the funnel.
3. Connect the brewer to the power source.
4. Place the "ON/OFF" switch in the "ON" position. Tank will start to fill automatically.
5. Water will flow into the tank and dispense for approximately eighteen minutes, then cycle will stop.
6. Heater circuit will activate automatically.
7. Wait approximately fifty minutes for the water in the tank to heat to the proper temperature. The ready light will be activated when the brewer reaches the proper temperature.
8. Press the START switch to begin a brew cycle. Once water comes out of the sprayhead, place the "ON/OFF" switch in the "OFF" position. This will dispense the expansion water in the tank.
9. Empty contents of the container through the faucet.
10. Place the "ON/OFF" switch in the "ON" position then momentarily press and release the "START" switch.
11. Allow the cycle to finish and measure the amount of water in the container. It should be 512 ounces ± 2 . Refer to the adjustments section of this manual should the volume need to be increased or decreased.

The brewer is now ready for use in accordance with the Tea Brewing instructions.

OPERATING CONTROLS

A. ON/OFF Switch

ON - Placing the switch in the "ON" position allows the start switch to activate a timed brew cycle for four gallons of tea.

OFF - Placing the switch in the "OFF" position stops the brew cycle. Stopping a brew cycle after it has been started will not stop the flow of water into the funnel until the tank syphons down to its proper level. **The switch should always be placed in this position after a brew cycle and whenever the brewer is unattended.**

B. Start Switch

Starts a brew cycle when the ON/OFF switch is in the "ON" position.

C. Ready Indicator

This indicator glows when preselected brew water temperature has been achieved. It is also used for diagnostic testing of brewer.

D. Sanitize Switch

Starts a sanitize cycle when pressed and released. This functions when the ON/OFF switch is in the "ON" position.

E. Green Tea/Black Tea Faucet Switch

Dispenses hot water for either green tea or black tea.

CLEANING

CAUTION - CLEAN AND SANITIZE YOUR ICED TEA BREWER DAILY

1. Remove and thoroughly clean the entire brew funnel. The funnel tip and screen must be free from any tea particles or residue. Reassemble the funnel.
2. Place the ON/OFF switch in the "OFF" position. Remove and thoroughly rinse the sprayhead. The holes must be open and clear of any mineral deposits. Wipe the sprayhead panel clean with a damp cloth.
3. Insert the delimiting spring into the sprayhead fitting until no more than two inches is visible and move it in and out 5 or 6 times. Insert the spring into the air vent hole in the sprayhead panel and move it in and out 5 or 6 times. Reattach the sprayhead.
4. Wash the entire outside surface of the brewer with a clean damp cloth.
5. Place the empty 4 gallon tea reservoir on the base. Insert funnel into rails. Make sure faucet is closed and lid cover is removed.
6. Place the ON/OFF switch to the "ON" position. Press and release the "Sanitize" Switch.
7. After sanitize cycle ends, let reservoir soak, then empty contents. Let reservoir air dry.

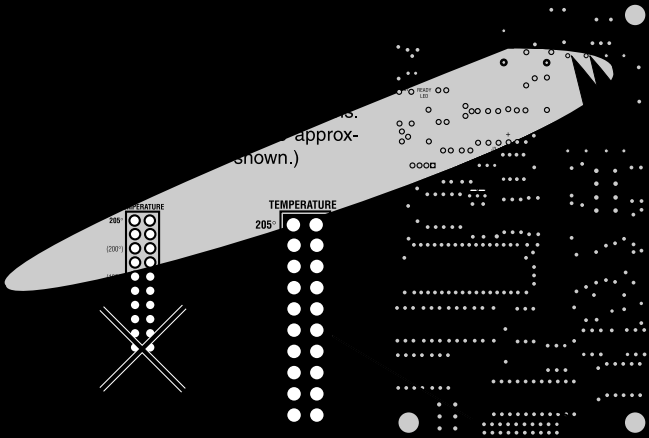
CAUTION - DO NOT KEEP BREWED ICED TEA OVERNIGHT. THE SERVER MUST BE CLEANED DAILY.

TEA BREWING

1. Begin each brew cycle with a clean empty brew funnel and server. (Be sure the server lid doesn't interfere with the flow of dilution water.)
2. Place the packet of fresh tea leaves into the funnel.
3. Level the bed of tea leaves by gently shaking.
4. Slide the funnel into the funnel rails until it stops.
5. Place the ON/OFF switch in the "ON" position.
6. Momentarily press the start switch.

CAUTION - The funnel contains hot liquids. Remove funnel slowly.

7. Carefully remove the brew funnel and discard the used packet when tea no longer drips from the funnel tip.
8. Place the ON/OFF switch in the "OFF" position to prevent a false start.
9. Fresh tea is available at the faucet on the dispenser.



ADJUSTING BREW VOLUMES (CONT.)

BREW VOLUME SETUP: Use the following steps when the setting is unknown or a different circuit board is being installed.

1. Place a funnel in the funnel rails and an empty container of at least four gallons beneath the funnel.
2. Turn ON the brewer.
3. Press and hold the brew start switch until you hear the brew solenoid click on-and-off three times (approximately 5 seconds). Release the switch.
4. Allow the cycle to continue until the desired amount of water is dispensed and then turn OFF the brewer. The brewer is now set to dispense this amount of water for each subsequent brew cycle.

SANITIZE VOLUME: Use the above procedure substituting the sanitize switch for the brew start switch. The volume for the sanitize function is set for 3 gallons.

TROUBLESHOOTING

A troubleshooting guide is provided to suggest probable causes and remedies for the most likely problems encountered. If the problem remains after exhausting the troubleshooting steps, contact the Bunn-O-Matic Technical Service Department.

- Inspection, testing, and repair of electrical equipment should be performed only by qualified service personnel.
- All electronic components have 120 volt ac and low voltage dc potential on their terminals. Shorting of terminals or the application of external voltages may result in board failure.
- Intermittent operation of electronic circuit boards is unlikely. Board failure will normally be permanent. If an intermittent condition is encountered, the cause will likely be a switch contact or a loose connection at a terminal or crimp.
- Solenoid removal requires interrupting the water supply to the valve. Damage may result if solenoids are energized for more than ten minutes without a supply of water.
- The use of two wrenches is recommended whenever plumbing fittings are tightened or loosened. This will help to avoid twists and kinks in the tubing.
- Make certain that all plumbing connections are sealed and electrical connections tight and isolated.
- This brewer is heated at all times. Keep away from combustibles.

WARNING –

- Exercise extreme caution when servicing electrical equipment.
- Unplug the brewer when servicing, except when electrical tests are specified.
- Follow recommended service procedures.
- Replace all protective shields or safety notices.

Before troubleshooting this brewer, check for the following:

Before servicing the brewer, make sure that voltage is present at control board. Check for voltage across pins 1 & 7 of the eight pin J1 connector (black and white wires). If voltage is present, proceed with testing. If voltage is not present, check wiring and voltage at socket. Correct the problem and retest before proceeding with testing.

TROUBLESHOOTING (cont.)

BREWING CIRCUIT

PROBLEM

PROBABLE CAUSE

REMEDY

Brew or sanitize cycle will not start

1. Ready light flashing

Brewer has shut down due to malfunction (See Diagnostic Chart in manual, page 14, or under top lid of brewer).

2. No water

Water lines and valves to the brewer must be open.

3. No power or incorrect voltage to the brewer

Check for voltage across the black and white terminals at the power source.

4. ON/OFF switch not in the "ON" position

The indicator lamp must be lit

5. START Switch

Refer to *Service* - Start Switch for testing procedures. See page 23

6. Low water temperature (Brew lockout is enabled)

Allow brewer to heat until ready lamp is lit, or disable the brew lockout feature. See page 7

7. Brew solenoid valve

Refer to *Service* - Brew Solenoid Valve for testing procedures. See page 16

8. Control board

Refer to *Service* - Control Board for testing procedures. See page 25

TROUBLESHOOTING (cont.)

BREWING CIRCUIT (cont.)

PROBLEM

Consistently low beverage level in the dispenser or beverage overflows dispenser

PROBABLE CAUSE

1. Brew volume
2. Lime build up
3. Brew Solenoid Valve
4. Flow Control

REMEDY

Set up brewer according to instructions in section **Adjustments-Brew Volumes**. (See page 7) Using a stop watch or second hand, time the length of the brew cycle. Record this time inside the top lid. If service is ever needed again, use the time as reference to determine if time has changed.

Inspect the sprayhead tube and sprayhead for excessive lime deposits. Delime as required.

Refer to *Service* - Brew Solenoid Valve for testing procedures. See page 16

A) Direction of flow arrow must be pointing towards brewer.

B) Remove flow control and check for obstructions. Clear or replace.

TROUBLESHOOTING (cont.)

BREWING CIRCUIT (cont.)

PROBLEM	PROBABLE CAUSE	REMEDY
Dripping from sprayhead	1. Lime build up	Inspect the tank assembly for excessive lime deposits. Delime as required.
	2. Brew Solenoid Valve	Refer to <i>Service - Brew Solenoid Valve</i> for testing procedures. See page 16
Weak beverage	1. Sprayhead	A five-hole stainless steel sprayhead must be used for proper extraction.
	2. Water temperature	Place an empty brew funnel on an empty vessel of at least 4 gallons beneath the sprayhead. Initiate brew cycle and check the water temperature immediately below the sprayhead with a thermometer. The reading must not be less than 5°F below set temperature. Adjust the temperature setting to increase the water temperature. Refer to <i>Initial Set-up</i> instructions.
	3. Funnel loading	The packet must be centered in the funnel and the bed of tea leaves leveled by shaking gently.
Drip out time too long	1. Funnel Tip	The brew funnel should be cleaned thoroughly before each brew cycle to lessen the chance of tea leaf particles clogging the funnel tip.

TROUBLESHOOTING (cont.)

HEATING CIRCUIT (cont.)

PROBLEM

Water does not heat to proper temperature

IMPORTANT: Make sure no temperature tests are taken before the ready light is "ON". Tank temperature must be stabilized before readings are taken.

PROBABLE CAUSE

1. Ready light flashing
2. Water not touching temperature probe
3. Temperature Probe
4. Limit Thermostat
5. Tank Heater

REMEDY

Brewer has shut down due to malfunction (See Diagnostic Chart in manual, page 14, or under top lid).

Remove probe and grommet. Look into hole on tank lid. Water must be within one inch from top of tank.

Remove the probe from the grommet and submerge in a water bath of approximately 70°F. Connect an ohmmeter to pins 2 and 3 of the J5 connector. At 60°F the reading should be $15.3k \pm 2k$ OHMS, at 70°F the reading should be $11.8k \pm 2k$ OHMS, and at 80°F the reading should be $9.3k \pm 2k$ OHMS. If the probe is within these parameters, reconnect the J5 plug to the control board.

Refer to *Service* - Limit Thermostat for testing procedures. See page 20

Refer to *Service* - Tank Heater for testing procedures. See page 24

TROUBLESHOOTING (cont.)

HEATING CIRCUIT (cont.)

PROBLEM

PROBABLE CAUSE

REMEDY

Spitting or excessive steaming

1. Lime build up on temperature probe, tank or tank heater

Inspect probe and tank assembly for excessive lime deposits. Delime as required.

2. Temperature Probe

Remove the probe from the grommet and submerge in a water bath of approximately 70°F. Connect an ohmmeter to pins 2 and 3 of the J5 connector. At 60°F the reading should be $15.3k \pm 2k$ OHMS, at 70°F the reading should be $11.8k \pm 2k$ OHMS, and at 80°F the reading should be $9.3k \pm 2k$ OHMS. If the probe is within these parameters, reconnect the J5 plug to the control board.

3. Control Board

Set the temperature to 205°F. Let tank temperature stabilize. If temperature in tank is above temperature setting by more than 7°F, replace the control board. See page 25

Brewer is making unusual noises

1. Plumbing lines

Plumbing lines should not rest on the counter top.

2. Water supply

The brewer must be connected to a cold water supply.

3. Lime build up

Remove the tank lid and clean inside of tank with a deliming agent, if necessary.

DIAGNOSTICS

Intermittent flashing of the READY indicator indicates that a fault exists. Count the number of flashes between pauses and use this chart as a guide to investigating the fault.

FLASHES	CAUSE	THINGS TO CHECK
1	Reserved for future use.	
2	Low Tank Level Fault - Level probe dry too long after fill valve is energized	Water pressure Level probe wiring Temperature probe wiring Fill valve wiring, function, & strainer
3	Low Water Temperature Fault - Excessive heating time.	Tank heater , limit thermostat, temperature probe wiring
4	Reserved for future use.	
5	Temp Sensor Out-of-Range - High	Sensor not connected to circuit board
6	Temp Sensor Out-of-Range - Low	Sensor wires shorted together or to chassis

SERVICE

This section provides procedures for testing and replacing various major components used in this brewer should service become necessary. Refer to *Troubleshooting* for assistance in determining the cause of any problem.

WARNING - Inspection, testing, and repair of electrical equipment should be performed only by qualified service personnel. The brewer should be disconnected from the power source when servicing, except when electrical tests are required and the test procedure specifically states to plug in the brewer.

COMPONENT ACCESS

WARNING - Disconnect the brewer from the power source before the removal of any panel or the replacement of any component.

All components are accessible by the removal of the top cover and rear access panel.

SERVICE (cont.)

BREW SOLENOID VALVE

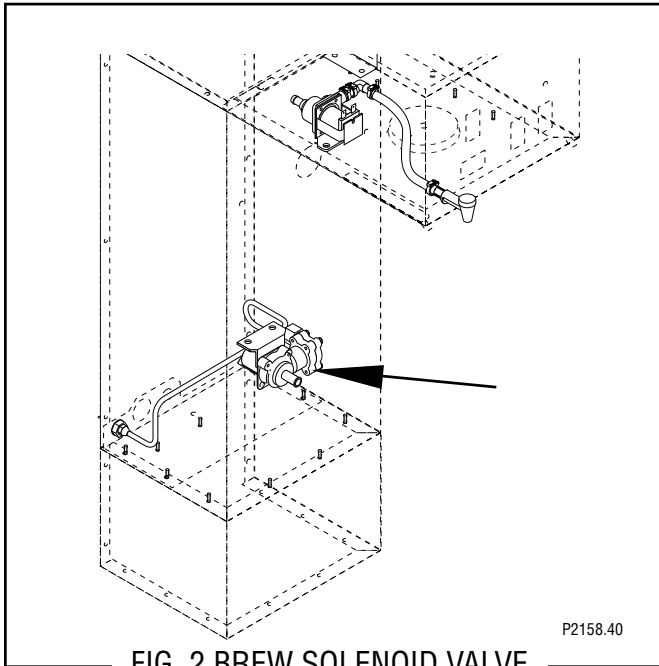


FIG. 2 BREW SOLENOID VALVE

Location:

The brew solenoid valve is mounted on the left side in the bottom rear of the brewer.

Test Procedures:

1. Disconnect the brewer from the power source.
2. Disconnect the white and white/green wires from the solenoid valve. With the ON/OFF switch in the "ON" upper position press the start switch.
3. With a voltmeter, check the voltage across the white and white/green wires. Connect the brewer to the power source. The indication must be 120 volts ac.
4. Disconnect the brewer from the power source,

If voltage is present as described, proceed to #5

If voltage is not present as described, refer to *Wiring Diagram* and check brewer wiring harness.

5. Check for continuity across the solenoid valve coil terminals.

If continuity is present as described, reconnect the white and white/green wires to the solenoid valve.

If continuity is not present as described, replace the solenoid valve.

6. Check the solenoid valve for coil action. Connect the brewer to the power source. With ON/OFF switch in the "ON" upper position press start switch and listen carefully in the vicinity of the solenoid valve for a "clicking" sound as the coil magnet attracts.
7. Disconnect the brewer from the power source.

If the sound is heard as described and water will not pass through the solenoid valve, there may be a blockage in the water line before the solenoid valve or, the solenoid valve may require inspection for wear, and removal of waterborne particles.

If the sound is not heard as described, replace the solenoid valve.

Removal and Replacement:

1. Remove all wires from solenoid valve.
2. Turn off the water supply to the brewer.
3. Disconnect the water lines to and from the solenoid valve.
4. Remove the two hex-head screws holding the mounting bracket to the brewer base.
5. Securely install the new solenoid valve.
6. Attach the mounting bracket to the brewer base.
7. Securely fasten the water lines to and from the solenoid valve.
8. Refer to Fig.3 when reconnecting the wires.

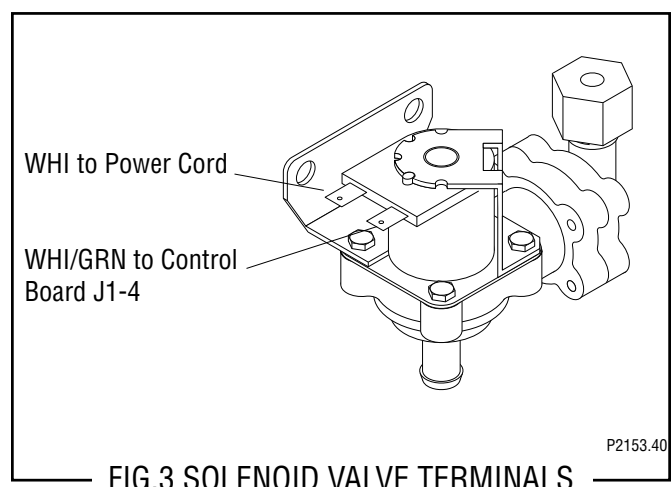
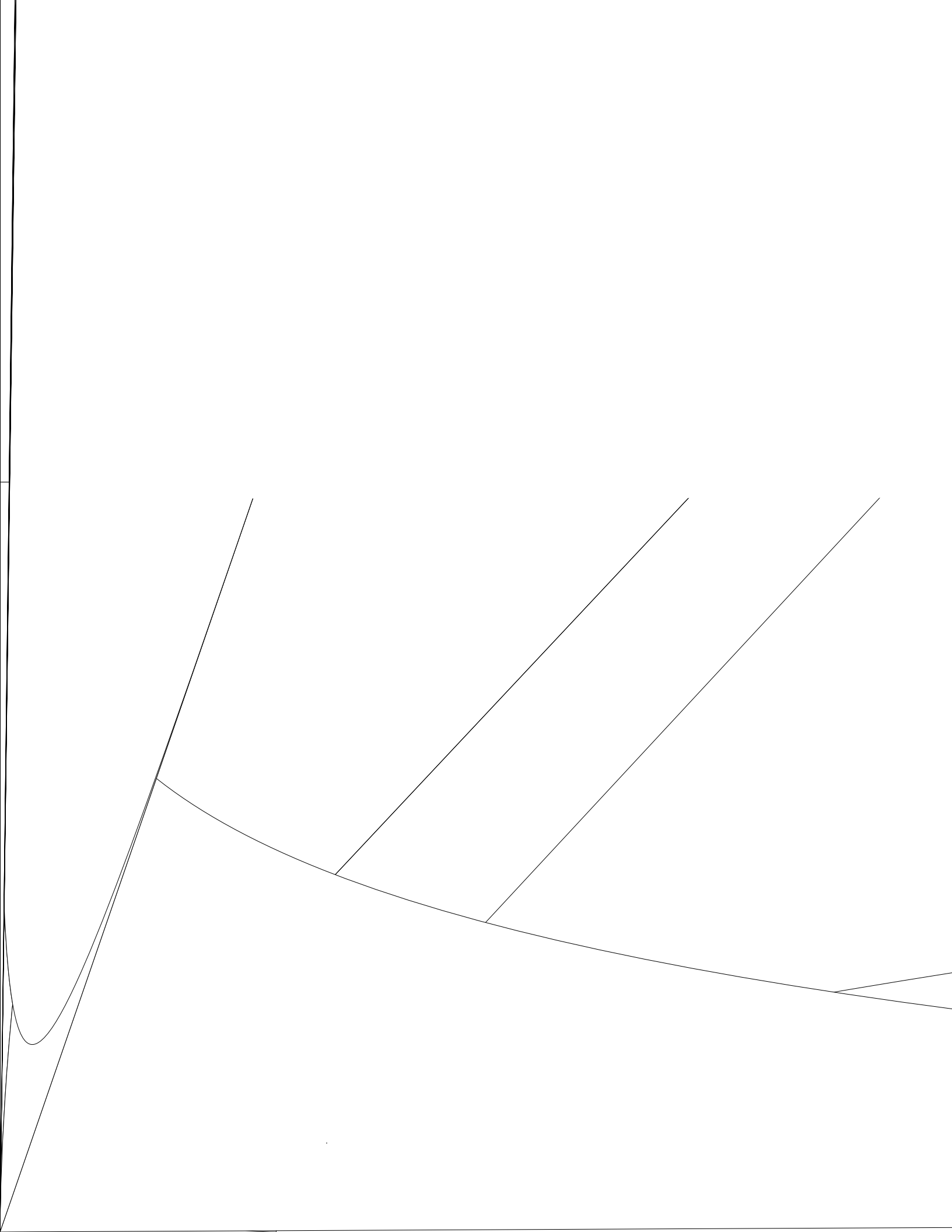


FIG.3 SOLENOID VALVE TERMINALS



SERVICE (cont.)

FAUCET SWITCH

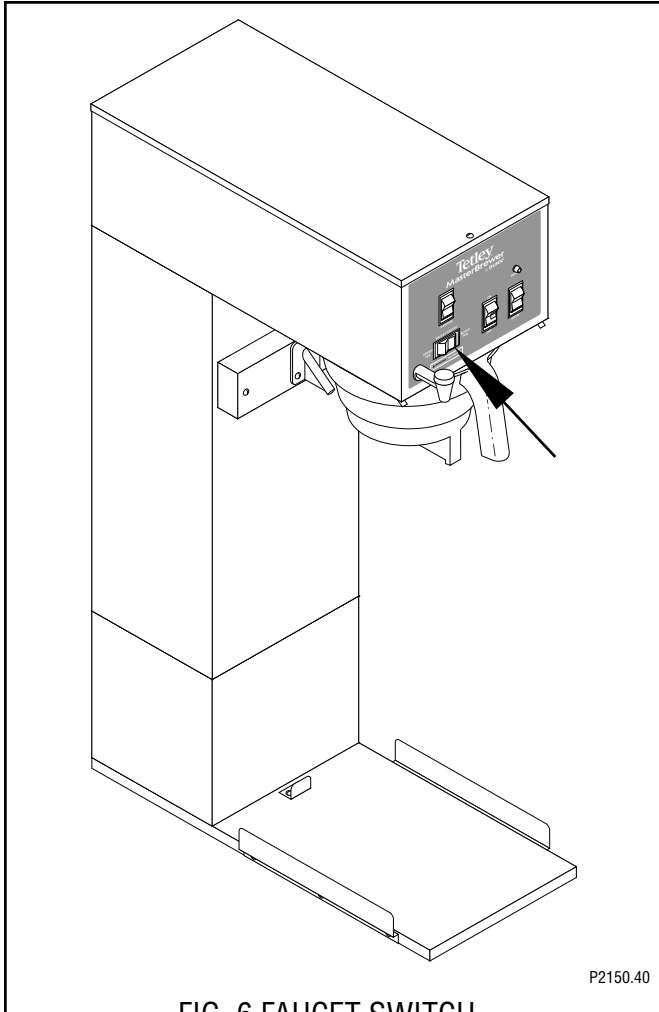


FIG. 6 FAUCET SWITCH

Location:

The faucet switch is located in the front of the hood, above and to the left of the brew funnel, and to the right of the faucet.

Test Procedures:

1. Disconnect the brewer from the power source.
2. Removes the wires from the terminals.
3. Check for continuity across the violet and orange terminals. Press switch for "Green Tea". Continuity should be present.
4. Check for continuity across the violet and yellow terminals. Press switch for "Black Tea". Continuity should be present. No continuity should be present across any terminals when switch is in center position.

If continuity is present as described, the switch is operating properly.

If continuity is not present as described, replace the switch.

Removal and Replacement:

1. Remove the wires from the switch terminals.
2. Compress the clips inside the hood and gently push the switch through the opening.
3. Push the new switch into the opening and spread the clips to hold the switch captive in the hood.
4. Refer to Fig. 7 when reconnecting the wires.

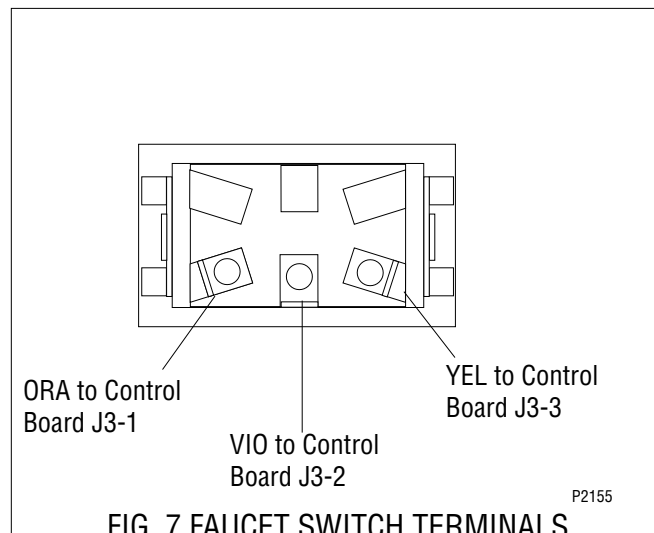
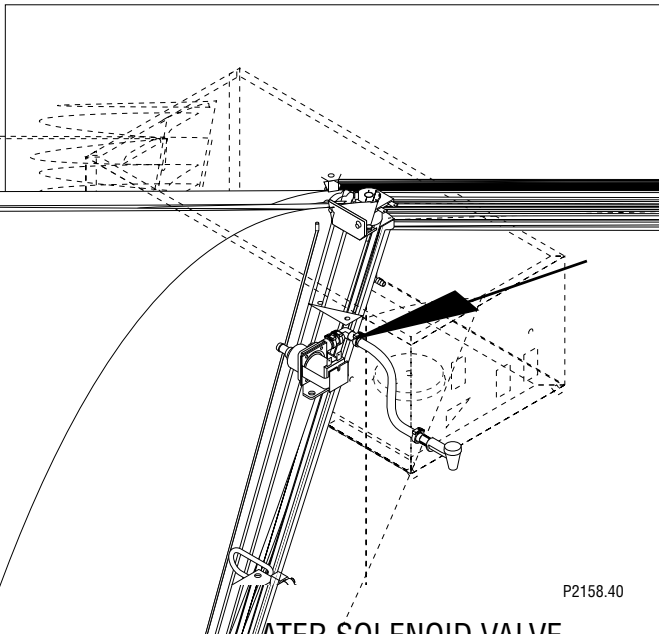


FIG. 7 FAUCET SWITCH TERMINALS

SERVICE (cont.)

HOT WATER SOLENOID VALVE (for faucet)



WATER SOLENOID VALVE

The solenoid valve for the faucet is located in front of the hood. It is located in front of the side.

Notes:

1. Remove the white/blue wire from the cold water valve before testing the hot water valve.

2. Disconnect the brewer from the power source.

3. Check the water level in the tank to confirm that it is within 1/2" from the top of the tank.

4. Reconnect the brewer to the power source.

5. Check the dispense valve for coil action. Place the ON/OFF switch in the "ON" position, press and hold the faucet switch in the Black Tea position. Listen carefully in the vicinity of the hot water dispense valve for a "clicking" sound as the coil magnet attracts and repels the plunger.

6. Disconnect the brewer from the power source.

If the sound is heard as described, there may be a blockage in the dispense valve or the water line to the sprayhead. Remove the dispense valve and inspect for wear, and remove waterborne particles.

If the sound is not heard as described, proceed to #6.

6. Connect the voltmeter lead ends to the hot water dispense valve coil terminals. Connect the brewer to the power source. Place "ON/OFF" Switch in the "ON" position. Press and hold the Black Tea faucet switch. The indication must be 120 volts ac .
7. Disconnect the brewer from the power source.

If voltage is present as described, but no coil action is observed, nor "clicking" heard, dispense valve is defective. Replace valve and test again to verify repair. If voltage is not present as described, refer to *Wiring Diagrams* and check the brewer wiring harness. Also check the control board for proper operation. See Page 25.

Removal and Replacement

1. Remove all wires from solenoid valve.
2. Turn off the water supply to the brewer.
3. Disconnect the water lines to and from the solenoid valve.
4. Remove the two #8-32 nuts holding the solenoid valve to the hood.
5. Securely install the new solenoid valve to the hood.
6. Securely fasten the water lines to and from the solenoid valves.
7. Refer to Fig. 9 when reconnecting the wires.
8. Refer to Fig. 5 when reconnecting the white/blue wire to the cold water valve.

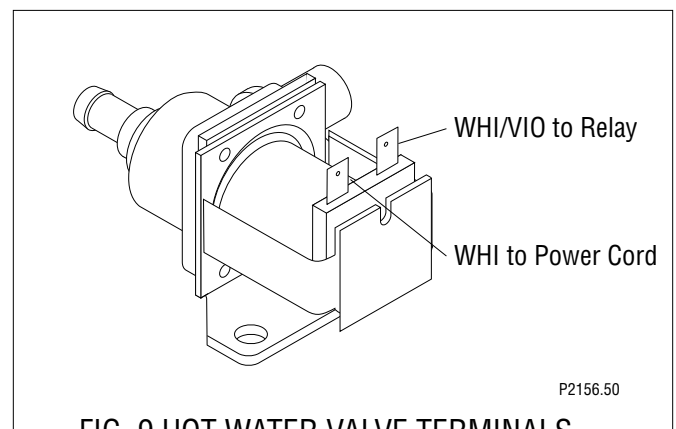


FIG. 9 HOT WATER VALVE TERMINALS

SERVICE (cont.)

ON/OFF SWITCH

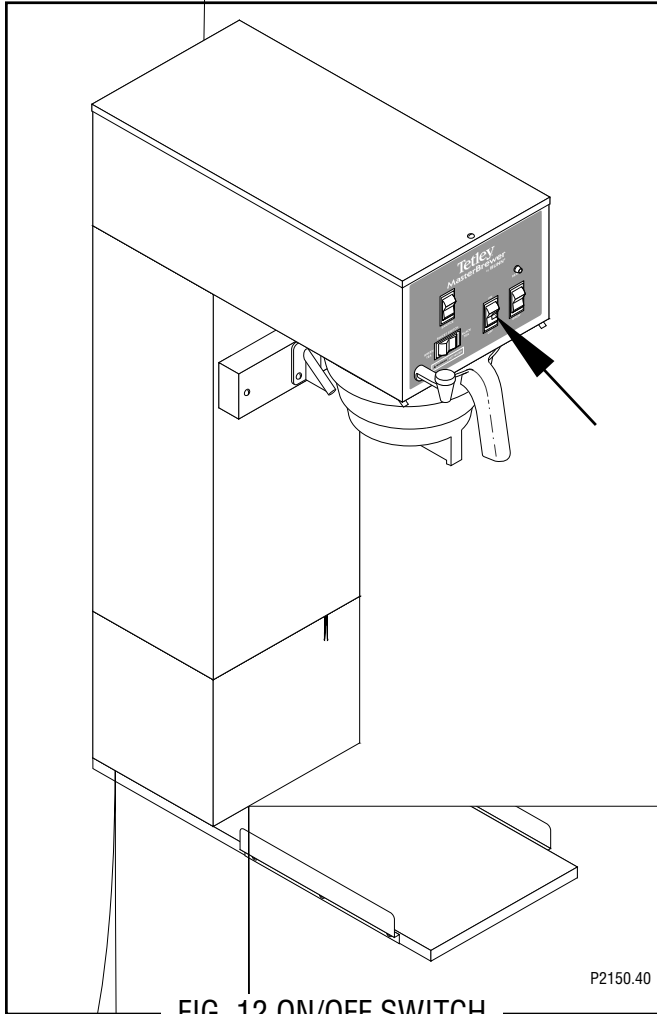


FIG. 12 ON/OFF SWITCH

Location:

The ON/OFF switch is located in the front of the hood, above and to the right of the brew funnel.

Test Procedure:

1. Disconnect the brewer from the power source.
2. Remove the black and white/red wires from the switch terminals.
3. With a voltmeter, check the voltage across the black wire removed from the ON/OFF switch and the white wire remaining on the switch terminal.
4. Connect the brewer to the power source. The indication must be 120 volts ac.
5. Disconnect the brewer from the power source.

If voltage is present as described, proceed to #6. If voltage is not present as described, refer to the *Wiring Diagram* and check the wiring harness.

6. Check for continuity across the center and end terminals of the bottom row when the switch is in the "ON" position.

If continuity is present as described, replace the wires, the switch is operating properly.

If continuity is not present as described, replace the switch.

Removal and Replacement:

1. Remove the wires from the switch terminals.
2. Compress the clips inside the hood and gently push the switch through the opening.
3. Push the new switch into the opening and spread the clips to hold the switch captive in the hood.
4. Refer to FIG. 13 when reconnecting the wires.

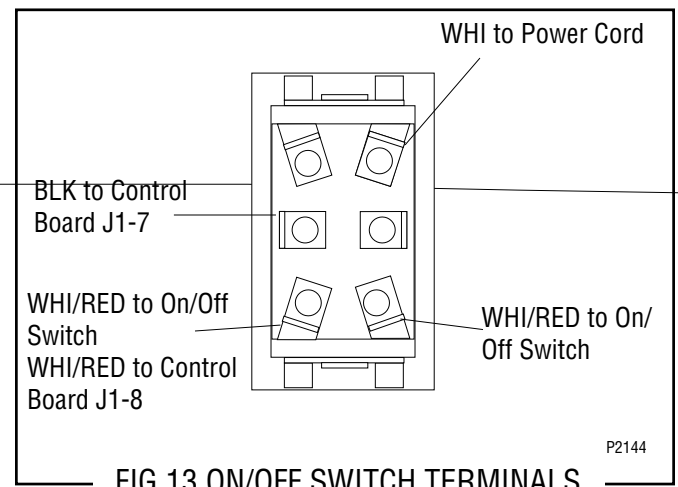
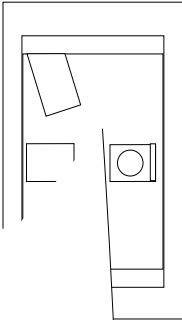
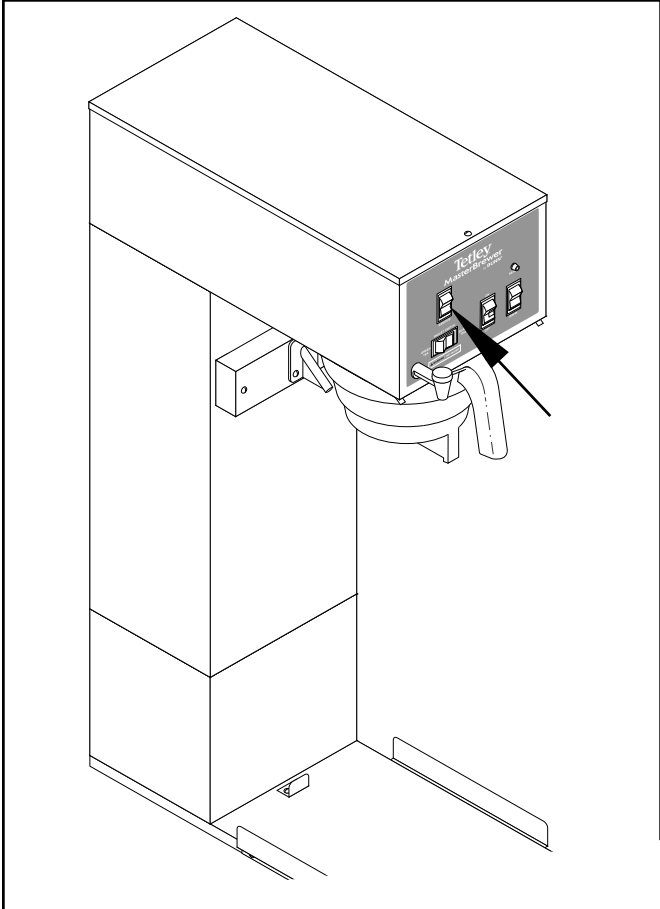
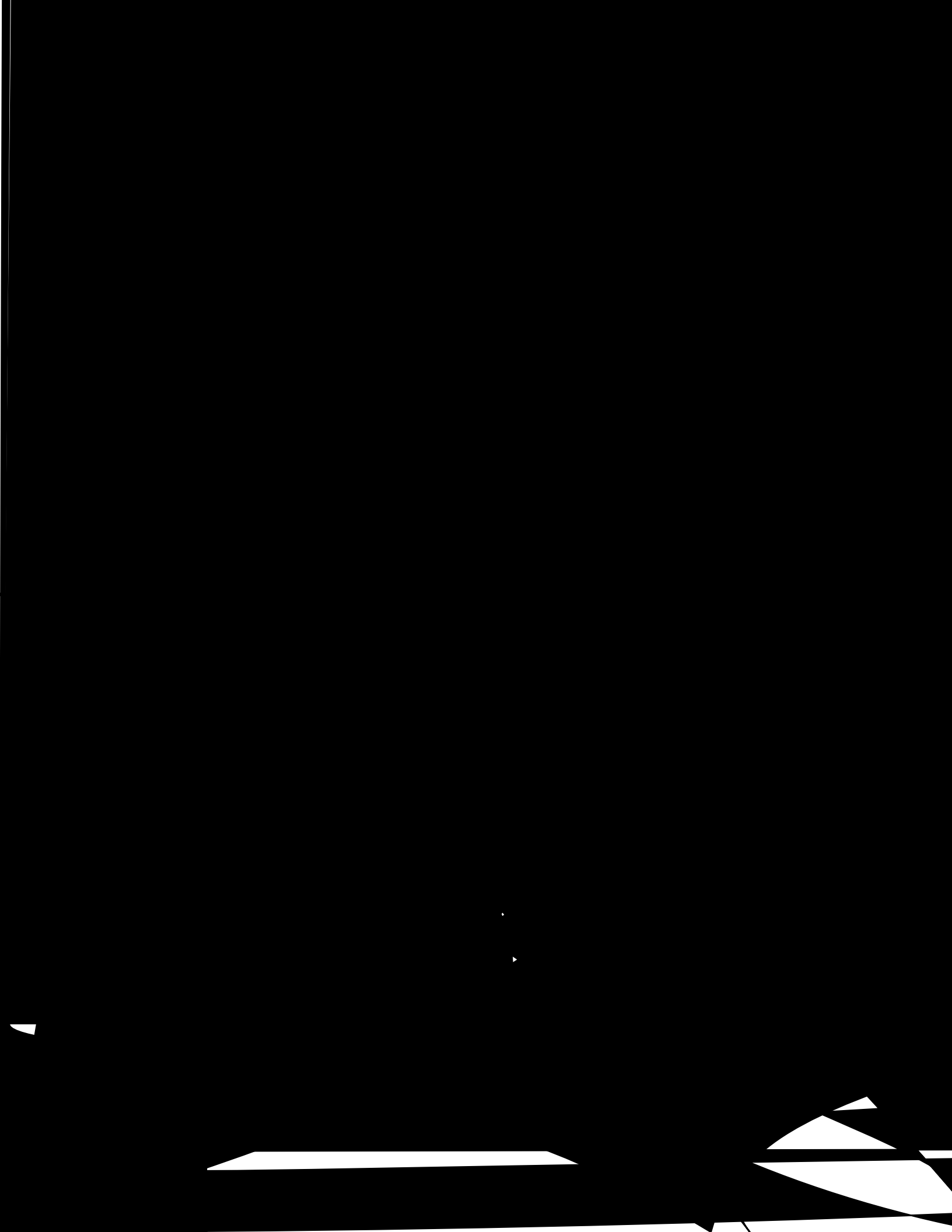


FIG. 13 ON/OFF SWITCH TERMINALS

SERVICE (cont.)

SANITIZE SWITCH





SERVICE (cont.)

Control Board

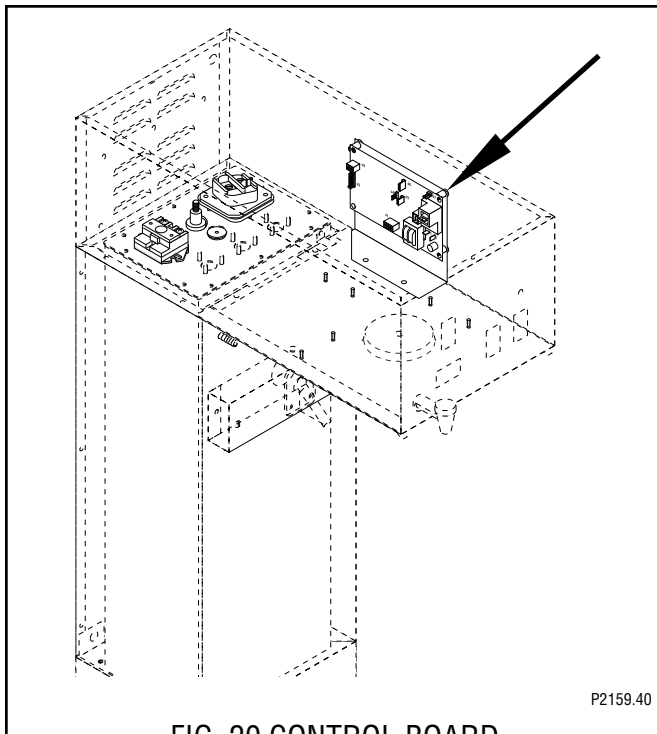


FIG. 20 CONTROL BOARD

Location:

The control board is located inside the hood on the right front behind the start switch.

Test Procedure:

The test procedures for the control board will vary depending upon the problems experienced by the brewer. Refer to the Troubleshooting guide beginning on page 8. The troubleshooting guide is divided into three sections, Refill Circuit, Heating Circuit, and Brewing Circuit.

Removal and Replacement:

1. Disconnect the black wire (RL2) to the cord set.
2. Disconnect the blue wire (RL1) to the limit thermostat.
3. Disconnect the 8-pin connector (J-1) and the 6-pin connector (J-5) from the main wiring harness.

4. Disconnect the 2-pin connector (J-7) from the ready indicator LED.
5. Remove the four #6-32 screws securing the control board to the component mounting bracket.
6. Remove the four spacers from the old control board and attach them to the new control board.
7. Install a new control board and secure with the four #6-32 screws to the component mounting bracket.
8. Connect the 2-pin connector from the ready indicator LED.
9. Connect the 8-pin connector and the 6-pin connector from the main wiring harness.
10. Connect the blue wire (RL1) from the limit thermostat and the black wire (RL2) from the cord set.
11. Refer to *Adjustments and Optional Settings* (Page 7) to program the new control board.

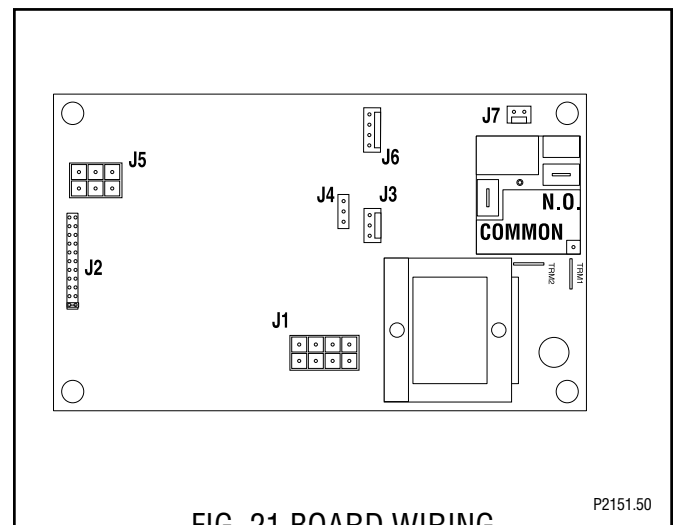


FIG. 21 BOARD WIRING

SCHEMATIC WIRING DIAGRAM TU3QF-EZ

