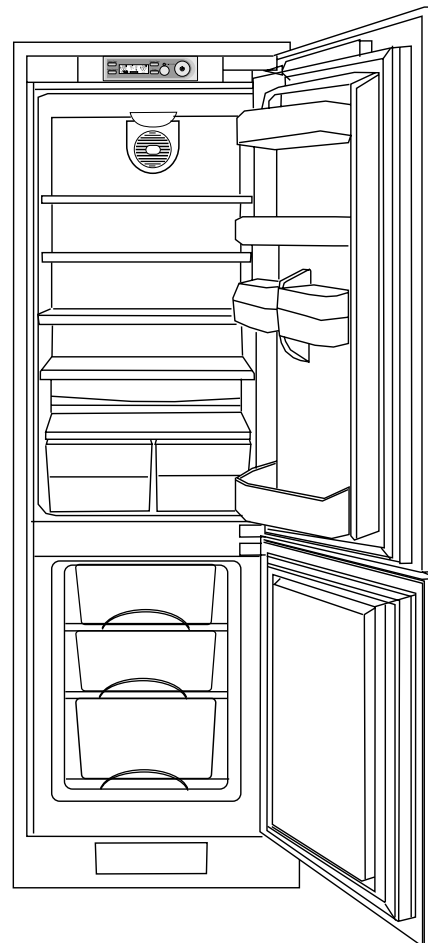


Haier
Built-in Refrigerator

HRF-305




Read the "Safety Precautions" and using methods carefully before using the refrigerator.
Keep this manual in a proper place, so that you can refer to it at any time.
We may change the product profile and specification to improve its quality without informing customers in advance.

Contents

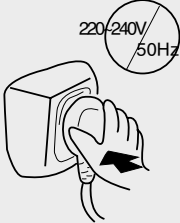
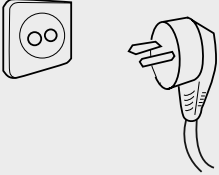
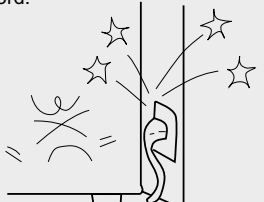
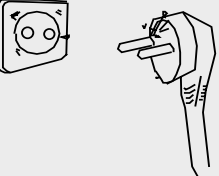
Safety Precautions · · · · ·	1~5
Usage Notice · · · · ·	6~7
Operation Check · · · · ·	8
Main Sections Introduction · · · · ·	9
Function & Temp. Setting · · · · ·	10~15
Refrigerator Usage and Food Storage · · · · ·	18~20
Cleaning · · · · ·	21~22
Stoppage · · · · ·	23~24
Problems and solutions · · · · ·	25~26
Service Request and Issues that required to be confirmed · · · · ·	27
Product Specifications · · · · ·	28
Installation Diagram · · · · ·	28
Warranty · · · · ·	28
Installation Instruction · · · · ·	29~41

Safety Precautions

You shall strictly behave according to the following precautions to prevent disasters and losses. According to the expected disaster ,damage and emergency level, we divided the precautions into 3 classes, which are marked by the following 3 symbols.

Symbol	Explanation
Warning	Any behaviour that is against these precautions may cause serious injury even death.
Note	Any behaviour that is against these precautions may cause slight injury or product damage.
	This symbol reminds for the issues and operations that may cause dangers. You shall read carefully about the parts that are with this symbol and do accordingly to prevent accidents.

 **Warning**

<p>● This fridge uses 220~240V/50Hz power supply.</p> <p>Large voltage fluctuation may cause no start-up of the fridge, and malfunction of temp. adjusting device and transformer as well. An auto 750W plus stabilizer shall be installed in such case.</p> 	<p>● Connecting the power cord, using exclusive socket.</p> <p>Use qualified plug on this fridge, and don't cut the plug.</p> 
<p>● Don't damage the cord</p> <p>Don't use too much power when drawing the cord, hold the plug tightly and draw it out carefully. Don't put the refrigerator on the cord, and try to avoid stepping on the cord.</p> <p>When you move the fridge, be careful don't damage the cord.</p> 	<p>● In case the cord is damaged</p> <p>It is prohibited to use damaged cord, which may cause shocking or short-circuit and fire disaster. When the cord is damaged, find help in designated after-sale service center.</p> 

Safety Precautions

! Warning

● **In case there is gas or flammable gas leakage**

Close the valve.

Open windows and doors.

The spark when you draw or insert plug of fridge or other electric appliances may cause explosion and fire disaster.



● **Don't put socket, transformer or microwave on top of the fridge, and it is not allowed to use any electrical appliances inside the fridge.**



● **Flammable, explosive articles and high corrosive acid and alkali must not be put in the fridge.**



● **Don't store gasoline and other flammable materials near the fridge. It may cause explosion or fire disaster.**



● **After the fridge is powered, don't try to clean or touch any condenser under freezer drawers.**

It may freezer skin and cause injury.



● **Don't hang on the fridge door to play.**

It may make the fridge falling down or cause injury.

Special attention shall be given to child.

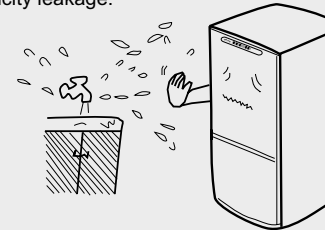


Safety Precautions

! Warning

● **Don't wash or rinse the fridge with water or put the fridge in a humid place.**

If the insulation is not good, it may cause electricity leakage.



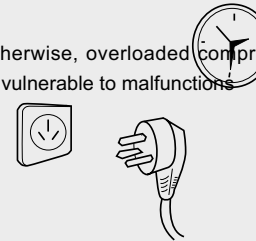
● **Nobody is allowed to disassemble, repair or modify the fridge except the professionals.**

Otherwise, it will effect the performance of the fridge or even become cause of injury, shocking or fire disaster.



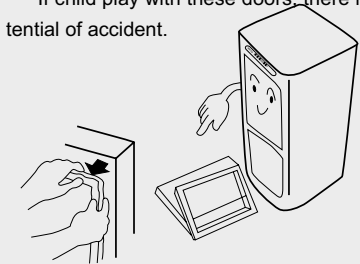
● **When there is power failure or you clean the fridge and cut off its power, you have to re-connect the fridge at lest in 5 minutes.**

Otherwise, overloaded compressor becomes vulnerable to malfunctions

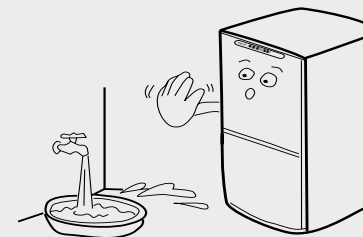


● **When you discard the fridge, you have to dismantle the fridge doors.**

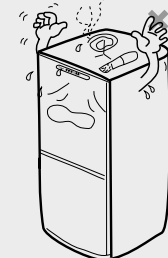
If child play with these doors, there is a potential of accident.



● **don't put the fridge in a place where there is dust, dirt, humidity or splashed water.**



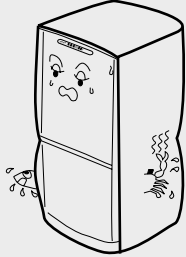
● **Don't put burning candle, dog-end inside, on top or near the fridge or fridge cabinet.**



Safety Precautions

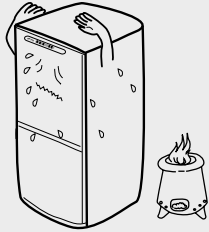
! Warning

- It is not good to put too much materials or food on top of and inside the fridge, which may block the cooling air circulation.

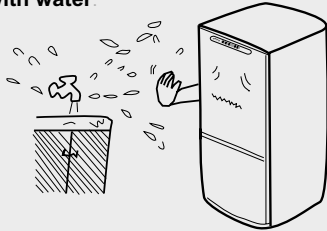


- Don't put heating device near the fridge.

It may cause fire disaster or electric shocking accident.



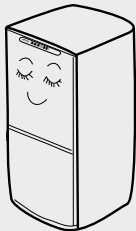
- Don't spray benzene, lacquer thinner, alcohol etc inside the fridge, don't rinse the fridge cabinet (wood section) with water.



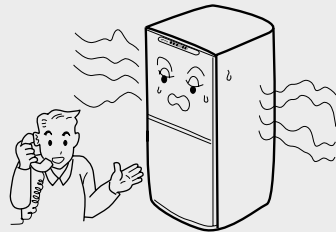
- After you clean the fridge, close its and the cabinet doors. Food stored in the fridge or other objects shall not hinder the close of the fridge door.



- After the fridge door is closed, check its sealing.



- In case there is abnormal smell, sound or smoke etc, contact our after-sale service branch

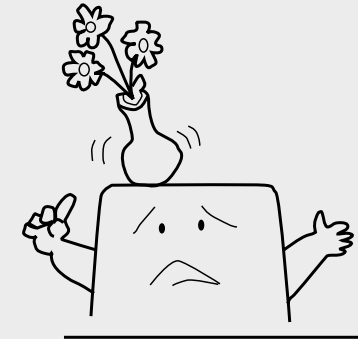


Safety Precautions

! Warning

- Don't put unstable or heavy materials or water container etc on the top of the fridge.

It may cause fire disaster, electric shocking accident, and the falling materials may also cause injury.



- Bottled beer or soft drink shall not be put inside the freezer, which may cause bottle break.

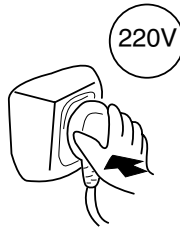


Usage Instruction

Warning

This product adopts AC 220V voltage.

- The plug shall be connected to sole-purpose 220V socket.

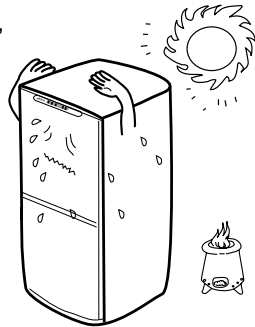


Installation Method

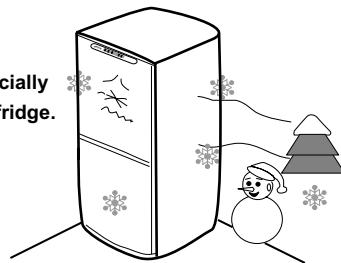
① This product is usually a built-in type fridge put in fridge cabinet.

When you want to block up the fridge on a level floor, you have to use solid and flameproof materials, and you must not use foam used during the transportation of the fridge.

② Don't put the fridge near a heat source or under direct sunshine, which may affect the performance of the fridge.



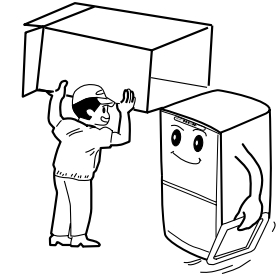
③ Don't put the fridge in a extreme cold or warm place especially outside a room, which may affect the performance of the fridge.



Usage Instruction

Preparation

1. Take off foams and adhesive tapes fixing the fridge.



2. Check the materials inside the fridge.

User Manual Pin	Discharge Pin	Wine shelf	Egg Plate	Ice Plate	Ice Spade
1	1	1	1	1	1

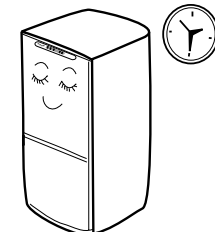


3. Clean the fridge before usage. (Refer Page 23)



4. To reassure the normal and stable operation of the fridge, power the fridge only after 30 minutes of cleanness.

! When use the fridge the first time after installation, power the fridge also 30 minutes after installation.



※_ Record the fridge name and model in the Warranty for reference.

Operation Check

Power Connection

After the plug is connected to power, the fridge starts automatically. Power the fridge after power off, press power button 3s, the green indicator is on, the fridge start to operate.

Temperature Setting (Refer to Page 12)

II Even if you don't set the temperature, the fridge can operate.

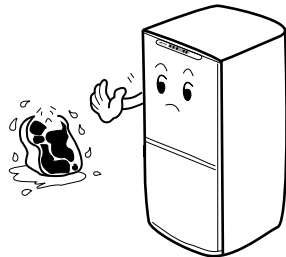
When you want to re-set temperature of the fresh food compartment:

- Press "Fresh Food Compartment Temp. Setting (A)" of the fresh food compartment 3s.
- The temperature setting part of the fresh food compartment flashes.
- Press "Fresh Food Compartment Temp. Setting (A)", the temperature will change.
- When the expected temperature appears, stop pressing the button and wait.
- The temp. setting display stop flashing, instead it shows the present temperature of the fresh food compartment

_ Details for setting of freezer temperature and others, refer to Page 12~16.

Food Storage

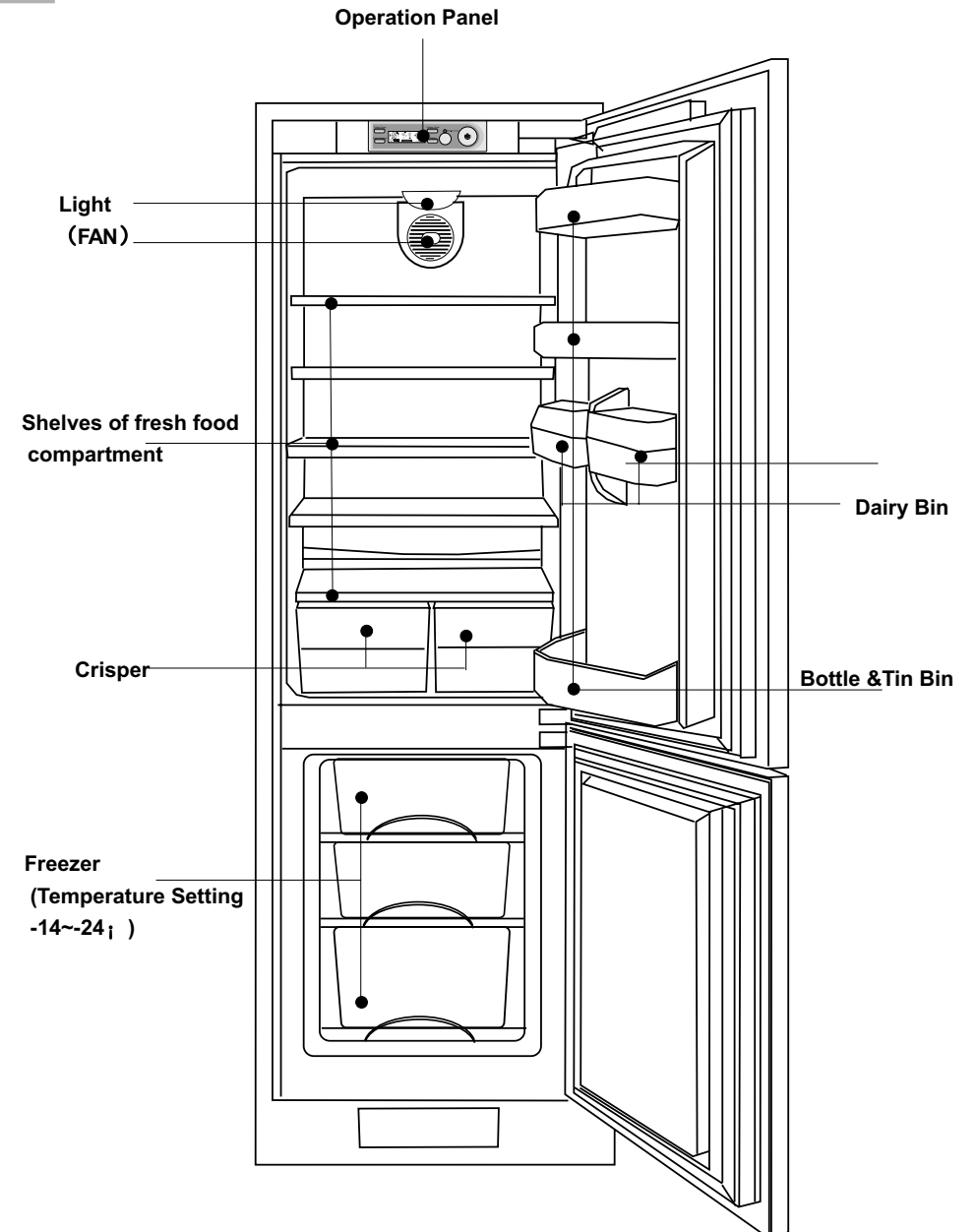
After the fridge is powered, don't put food immediately into the fridge. Put food in the fridge after the temperature in the fridge drops substantially.



! It will take a while for the temperature in the fridge to reach the set value, after you change the temperature setting.

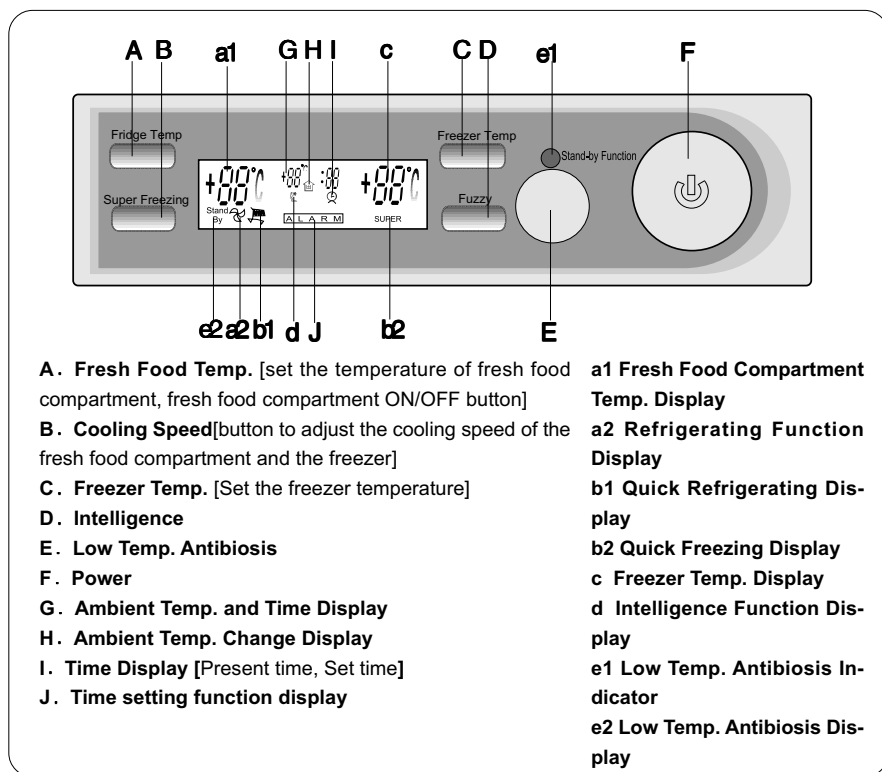
Note The time to reach setting temperature is related to ambient temperature and the quantity of stored food.

Major Sections Introduction



Functions and Temp. Setting Method

After the fridge is powered, power button indicator and function indicator will on.

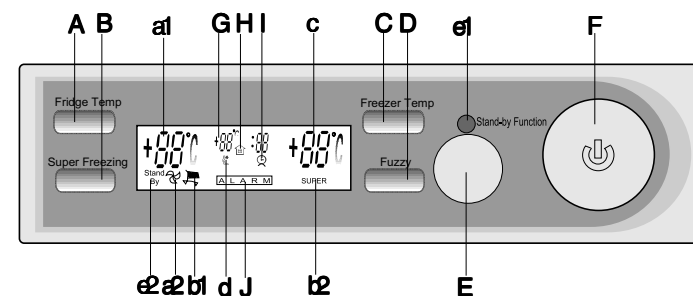


Temp. Setting

- Fresh Food Compartment Temp. Setting**
Press fresh food compartment temp. setting button (A), the display of present set temp. of the fresh food compartment (a1) begin to flash. The temp. will increase by 1_ every time you press fresh food compartment temp. setting button. [the fresh food compartment temp. setting scope: 2_~7_] Wait 5s to finish the temperature setting after you find the expected temperature. The flashing fresh food compartment setting temperature disappear, and the present temperature of the fresh food compartment will show.
- Freezer Temperature Setting**
Press freezer temperature setting button (A), the display of present set temp. of the freezer (c) begin to flash. The temp. will increase by 1_ every time you press fresh food compartment temp. setting button. [the freezer temp. setting scope: -14_~-24_] Wait 5s to finish the temperature setting after you find the expected temperature. The flashing freezer setting temperature disappear, and the present temperature of the freezer will show.

Note Set the temp. of fresh food compartment and freezer compartment after other setting is finished, and flash display is end. Otherwise, it may cause malfunction in the operation panel.

Functions and Temp. Setting Method



(3) Setting of Quick Refrigerating

Press the cooling speed Button (B) 3s, the quick refrigerating indicator (b1) is on, temperature display of the fresh food compartment (a1) show "00" and flash. Every time you press cooling speed button (B), it will circle to display level 1 to level 4, it will go back to "00" after it reaches level 4. ["00" "01" "02" "03" "04" "00" _Ö: Maximum level 4] wait 5s in the selected level to finish level setting, it will resume to display present temperature of fresh food compartment. [after it is set, press cooling speed button (B), it will show that it is in quick refrigerating (b1) status, and it can be re-set] If you don't want to use quick refrigerating, set the quick refrigerating level to 0.

Reference

00 Level- the quick refrigerating function is off.

01 Level- the Quick Refrigerating function start within 1.5 hour

02 Level- the Quick Refrigerating function start within 3 hours

03 Level- the Quick Refrigerating function start within 4.5 hours

04 Level- the Quick Refrigerating function start within 6 hours

When it is in Quick Refrigerating setting status [1~4 level], you can not set the temperature of the fresh food compartment and low temperature antibiosis function.

When it is in Quick Refrigerating setting status [1~4 level], you can set freezer temperature, intelligence, quick freezing, time etc..

(4) Setting of Quick Freezing

Press the cooling speed Button (B), the quick refrigerating indicator (b2) is on, temperature display of the freezer (c) show "00" and flash. Every time you press cooling speed button (B), it will circle to display level 1 to level 4, it will go back to "00" after it reaches level 4. ["00" "01" "02" "03" "04" "00" _Ö: Maximum level 4] wait 5s in the selected level to finish level setting, it will resume to display present temperature of freezer. [after it is set, press cooling speed button (B), it will show that it is in quick freezer (b2) status, and it can be re-set] If you don't want to use quick freezer, set the quick freezer level to 0.

Reference

00 Level- Quick freezing function is off, and resumes previous setting level.

01 Level- Quick Freezing Function start within 15 hours

02 Level- Quick Freezing Function start within 30 hours

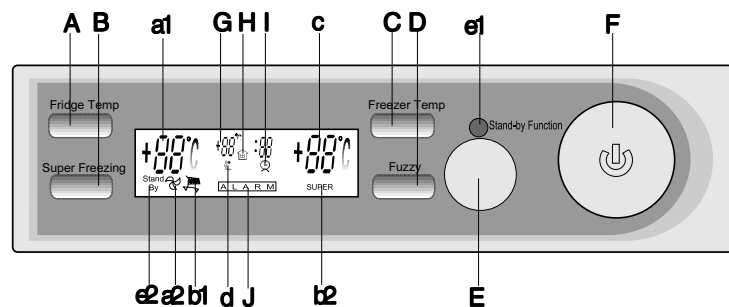
03 Level- Quick Freezing Function start within 45 hours

04 Level- Quick Freezing Function start within 60 hours

When it is in Quick Freezing Setting status [level 1~4], you can not set freezer temperature, low temperature antibiosis function.

When it is in Quick Freezing Setting status [level 1~4], you can still set fresh food compartment temperature, intelligence, quick refrigerating, time etc.

Functions and Temp. Setting Method



(5) Setting of Intelligence Function

Press Intelligence Button (D), the indicator (d) is on, and the intelligence function starts to work. When you want to cancel the intelligence function, press the Intelligence Button (D) 3s, the intelligence indicator (d) is off, and the function is cancelled.

When Intelligence is selected, you can not select functions like quick freezing, quick refrigerating, fresh food compartment temperature, freezer temperature, low temperature antibiosis etc..

(6) Setting of Low Temperature Antibiosis Function

Bad smell in the fridge is mainly because of the reproduction of bacteria, and this function can reduce bad smell in the fresh food compartment and freezer. The low temperature antibiosis function can only be set after some functions like the intelligence, quick refrigerating, quick freezing, fresh food compartment temperature etc. are cancelled. Press the low temperature antibiosis button (E), the low temperature antibiosis indicator (e2) is on, the fresh food compartment temperature is automatically set to 15_, while that for freezer is -18_.

! Note After the low temperature function is set, timer function is in stand-by.

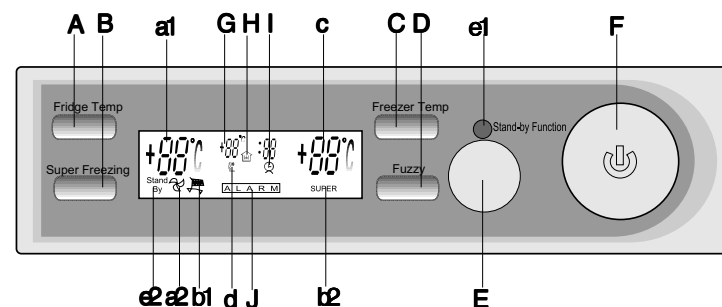
(7) Switch of Fresh Food Compartment

When fresh food compartment is on, press fresh food compartment temperature button (A) 3s, the fresh food compartment is off, the fresh food compartment indicator a1 is off. When the fresh food compartment is off, other set status as quick freezing, intelligence, timer, ambient temperature etc. will continue to display. When the fresh food compartment is off, press the fresh food compartment temperature button (A) 3s, the fresh food compartment is on again, so is the fresh food compartment temperature indicator.

(8) Refrigerating Function Display

When the refrigerating function is on, the refrigerating function indicator (a2) flashes. When the refrigerating function is sleep status, the refrigerating function indicator (a2) is off.

Functions and Temp. Setting Method



(9) Ambient Temperature Display and Setting of Present Time

The ambient temperature and present time can be set and shown in display (G). Press fresh food compartment temperature button (A) and cooling speed button (B) at the same time, "ambient temperature display (H)" and "time display (I)" will continuously show one after another. [Press ambient temperature (H) _Press time (I) _Press ambient temperature (H) _Ö]

Setting of present time: press freezer temperature button (C) and intelligence button (D) at the same time to set time. The default is [00: 00], press fresh food compartment temperature button (A) to adjust hour, it will change 1 hour every time you press once; press freezer temperature button (C) to adjust minute, it will change 1 minute every time you press once. Wait 5s to change to the set time. The time can be set when it is in ambient temperature display status or present temperature display status. (the setting scope of hour is 00~23, and the minute is 00~59)

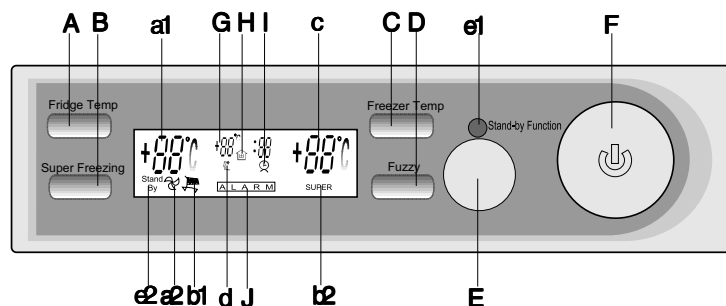
(10) Setting of Timer

Press cooling speed button (B) and intelligence button (D) at the same time, the default timer setting [00: 00] is shown. Press once the fresh food compartment temperature button (A), it will change 1 hour; Press once the freezer temperature button (C), it will change 1 minute. Wait 5s, the time will automatically change to the set time, and timer display (N) will show. The ambient temperature and present time cannot show until the end of set time of the timer. When the timer goes to [00: 00], the timer display (N) disappear, and the alarm continue 20s. and the present time and ambient temperature display will resume. If you want to close the 20s alarm, press cooling speed button (B) and intelligence button (D) at the same time. You also have to press cooling speed button (B) and intelligence button (D) at the same time to close timer function or to re-set. And the timer display (N) disappear, and the function is cancelled. (the setting scope of hour is 00~23, and the minute is 00~59)

(11) Setting of Abnormal Temperature Alarm

In case that the door of the fridge is not close well, or large quantity of food is put in the fridge, the real temperature of the fridge (fresh food compartment/ freezer) is higher than the set temperature. The alarm indicator (J) is on, the display of temperature raise (a1 of the fresh food compartment/ c of the freezer) flash with alarming sound. Press fresh food compartment temperature button (A) and cooling speed button (C) at the same time, the alarm disappear. When the temperature is reached, the alarm display (J) stops flashing. If the alarm display (J) still show after several hours, contact the nearest after-sale service branch.

Functions and Temp. Setting Method



(12) Auto Diagnosis Display Function

Sensors in the fridge can guarantee effective control of the fridge. The digital display will show [Type: F1, F2, F3, F4], when any sensor detect abnormal temperature. The fridge will still operate, even with these abnormality display. If you cannot solve the problem, contact the nearest after-sale service center.

"F1" will show in the fresh food compartment temperature display (a1), when the evaporator is faulty or its ambient temperature is above 42_.

The Quick refrigerating function can not be used at that time.

"F2" will show in fresh food compartment temperature display (a1), when the sensor in the fresh food compartment is faulty.

Then intelligence, quick freezing, quick refrigerating, low temperature antibiosis cannot be used at that time.

"F3" will show in freezer temperature display when the sensor in freezer is in fault.

Then the intelligence, low temperature antibiosis cannot be used, and related freezer alarms are also out of function.

"F4" will show in ambient temperature and time display when the ambient temperature sensor is faulty, the ambient temperature indicator (H)start to flash.

(13) Then the intelligence, quick freezing, quick refrigerating, ambient temperature cannot be used.

Power failure memory function

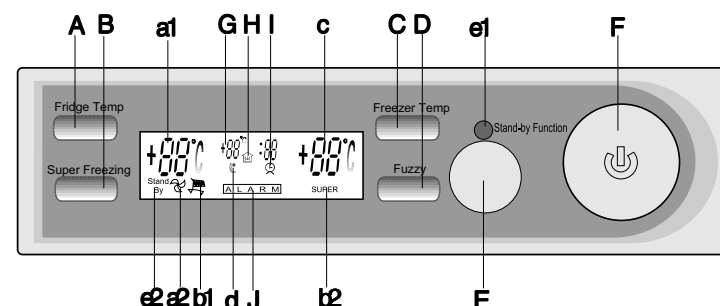
The fridge will keep its original set status when the fridge resumes work after power failure. It can not only remember the set status before power failure, but also the process of quick refrigerating and quick freezing, and re-set automatically.

(14) Compressor Auto Safe Operation

Compressor Auto Safe Operation

Frequent power on/off and resuming work after power failure may cause damage and breakdown of the fridge. The compressor auto safe operation function can make sure the compressor is not overloaded. Even other parts give the compressor instruction, and this function will minimize the compressor's load, and the compressor start to work 8 minutes after the fridge resumes work.

Functions and Temp. Setting Method



(15) Alarm Function

When correct buttons are selected, there will be buoyant reminding sound to tell you that you make right choice.

(16) 2. Power (ON/OFF)

Press power button (F) 3s, when power is on, then all display will disappear, and power is off.

When power is off, press power button (F) 3s, all display will show, and power is on.



Note

Precautions of moving the fridge

When you move the fridge, first press the power button to shut the fridge. Draw the power plug when the power button is still on may damage the fridge.

Fresh Food Compartment Usage and Food Storage

Store the short term stored or frequent food in the fresh food compartment.

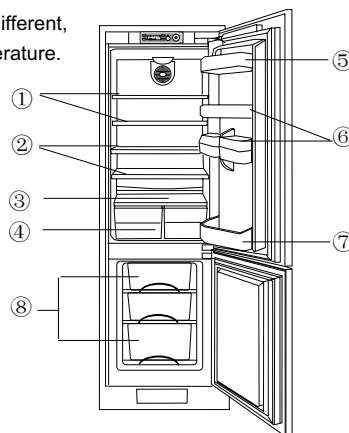
The temperature in the fresh food compartment is 2~7℃, the fresh food compartment keeps food fresh shorter than the freezer does.



Storage Space of Different Foods

The temperatures inside the fresh food compartment are different, store food in proper place, section is with the lowest temperature.

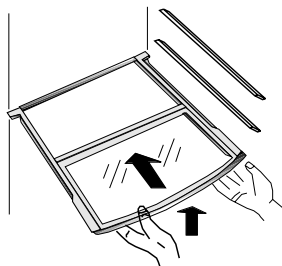
- ① Flavor food, tin
- ② bread, tin, milk and tofu
- ③ cooked meat, sausage
- ④ fruits, vegetable and salad etc.
- ⑤ egg, oil
- ⑥ tin, flavor and dairy products
- ⑦ soft drink and bottled food
- ⑧ food needs to be frozen.



Shelves and Bins are Adjustable

You can adjust the height of shelves and bins of the fresh food compartment.

You shall be careful when you adjust height, which cause injury or damage because of falling down or collision.



Light and its Change

Light Specification: 220~240V, 15W
(using of light over 25W is prohibited)

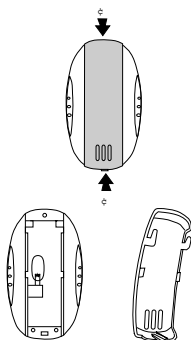
When you change light:

Pull out the power to stop power supply

① Press the anti-drop pin of the light cover to direction, and draw it out from the square.

② Draw the cover to direction holding 2 ends and take down the cover. Turn counter-clockwise to take off the damaged light, and turn on new one clockwise.

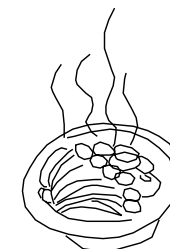
Light cover installation: put cover back and insert anti-drop pin.



Fresh Food Compartment Usage and Food Storage

Cool hot food naturally before put them into the fridge.

If you put hot food into the fridge, they will affect nearby food and increase power consumption.



Eliminate humidity in food before store them in the fridge.



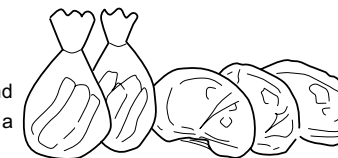
Seal food before storage.

It can prevent water evaporation, odor tainting and keep freshness.



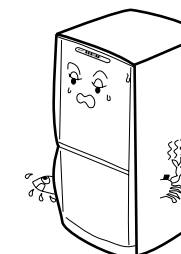
Food shall be classified and stored.

Classify food, and put food that you will eat soon in front, and food that you will not eat soon at the back to store food for a longer time.



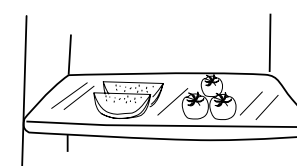
Don't put too much food in the fridge.

Don't jam the fridge with food, good cooling air ventilation can make sure a good refrigerating result.



Don't put food against inner wall.

Don't store food against inner wall. If food touches the wall, after food is frozen, it will stick together with the inner wall.

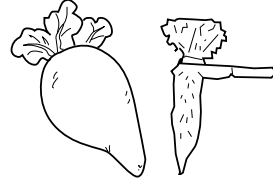


Fresh Food Compartment Usage and Food Storage

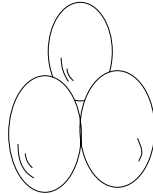
Store vegetables against their growing direction.



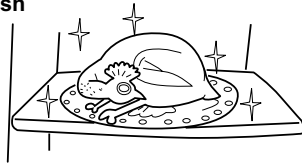
Cut leaves of radish species. Some nourishment may be lost.



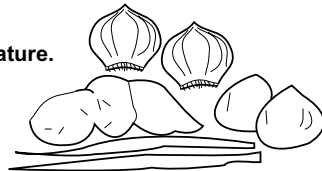
Put egg into egg holder.



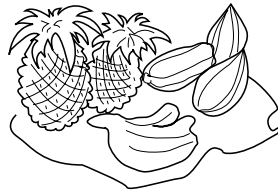
Defrost frozen food in the fresh food compartment. Cooling air steamed by frozen food can decrease the fresh food compartment temperature, and reduce power consumption.



Onion, garlic and ginger can be stored in room temperature.



Muskmelon, banana etc. have metabolism even if in refrigerating status, so you don't have to put them in the fridge.

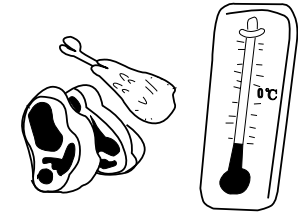


Note In winter the room temperature may drop to 0~10°C, and the fresh food compartment temperature will drop correspondingly. Vegetable and fruit at the bottom will be frozen, so put them on top.

Freezer Usage & Food Storage

Freezer is used to store food for a long time.

Temperature in the freezer is low, and it can keep food for a long time, but you have to take care about food available period.



You can find freshness period and available period of different food in the following.

Category	freshness period (month)	longest storage period (month)
chicken, beef, mutton, shrimp	4	9
bun, dumpling, chop, ice	4	6
cake, bread, sliced meat, butter	2	6
crab, seafood, viscera, ice cream	1	3

Refer to food available period for details, and the freshness may be also different.

The above-mentioned storage time is when food is stored in common freezing status (-14~-24 ;).

Freshness decreases by time.

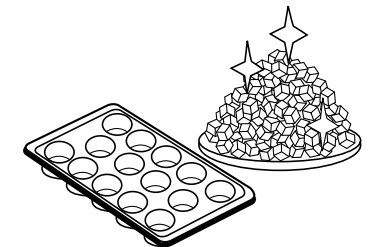
It is suggested that food is consumed within the freshness period.

Making Ice

Put water into the ice tray

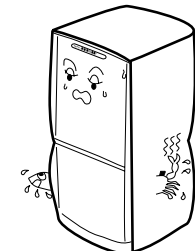
Take out the ice tray with a bit strength, but don't knock the ice tray.

Wait a while and twist the ice tray a bit, and ice will drop.



Don't store food over the freezer capacity limitation

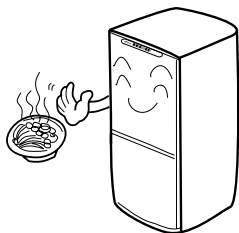
Freezing effect becomes worse when you put too much food inside the freezer. Don't store food over freezer limitation.



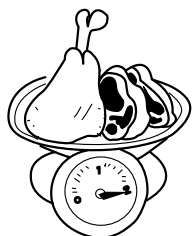
Freezer Usage & Food Storage

Cool hot food naturally before put them into the fridge.

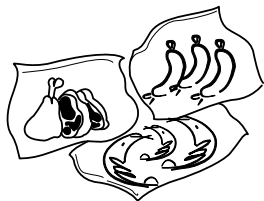
If you put hot food into the fridge, they will affect nearby food and increase power consumption.



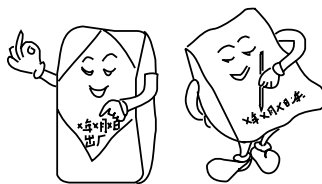
Put food in small bag, each bag shall be less than 2.5kg.



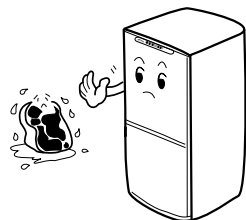
Freeze food after packing.



Write date on surface of the frozen food.



It is not suggested that you freeze again the defrost food, the freshness will be affected.



Clean

Cleaning work

Clean the fridge periodically, otherwise, stored food may have bad smell. Shut off the fridge for safety.

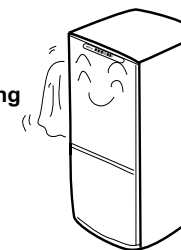
Soak soft cloth in hot water or detergent and then clean the fridge. When you use neutral detergent, you must use clean cloth to wipe.



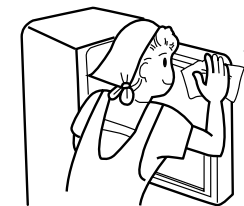
! Don't use grinding powder, hard brush, gasoline, bleach, boiled water, acid materials, otherwise the fridge surface and components may be damaged.
Note



Don't rinse while clean the fridge, it will affect anti-shocking function. Wipe buttons, light with soft cloth.



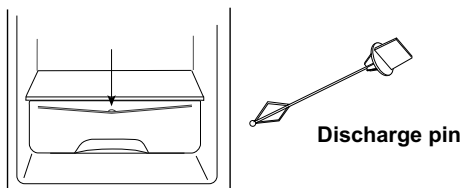
Juice and liquid on door gasket may shorten its life span, you have to clean it when there is juice or liquid on door gasket.



Clean

Auto Defrost of Fresh Food Compartment

The fresh food compartment can do auto defrost. The ice is melted into water and discharged.



! Don't block holes on crisper, if it is blocked, open it with discharge pin.

Note

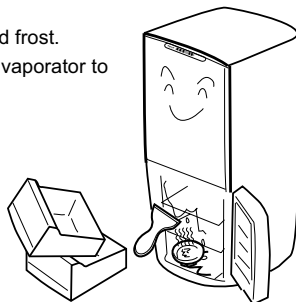
Freezer Auto Defrost

After long time usage, water is accumulated on the evaporator, and make it easy to frost.

You have to scrape the frost with little plastic scoop.

You have to seal well the stored food to prevent water leakage and frost.

Shut off power first before defrosting. Put a bowl of hot water on evaporator to accelerate the process. Wipe the melted water with clean cloth.



gaskets around doors are easy to be contaminated, clean them often.



! Electrical tool or sharp instrument are prohibited to be used to defrost. (It is better to use recommended tools)

Note

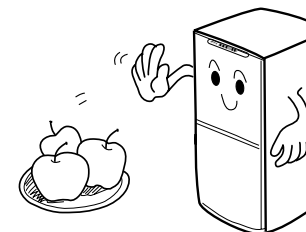
Stoppage

When there is power failure

Food can be stored several hours without problem even if there is power failure in summer.

Don't put any food inside the fridge after power failure, and don't open door often as well.

When you get power failure notice in advance, prepare some ice cube and put them inside the fridge in the upper part of it.



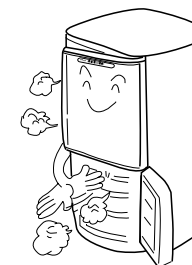
! The fresh food compartment temperature will ascend when there is power failure of breakdown, which will affect the freshness of food.

Note

Stoppage

If you want to stop using the fridge for a while, clean the fridge with methods mentioned thereinbefore.

After long time no usage, and there is no cold air in the fridge, maybe there is bad smell of food when you open doors.



! Don't shut off power randomly, which may affect the life span of the fridge.

Note

Wait at least 5 minutes after power is resumed.

Stoppage

When you are out for a while or on holiday

For short period, take out food that is easy to degenerate, and adjust to proper temperature.

For long period, draw out the power plug, and take all food out, clean the fridge and open the doors.

Even if you don't use the fridge for a long time, and you can still use the low temperature antibiosis function. (Refer to Page 14)



During Transportation

Take out all stored food.

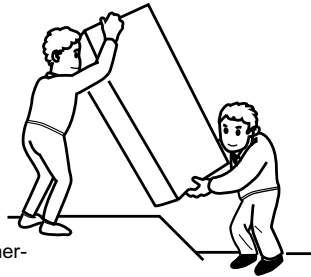
After shut off power, draw out power plug.


Fix the plug properly.

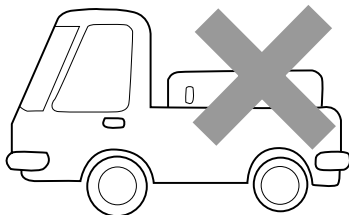
Fix shelves, boxes, bins etc with tape.

Close the doors and seal them with tape.

The inclination during transportation shall be within 45°, otherwise the cooling system will be affected.



 **Don't lie down the fridge in any case!**
Note



Problems and Solutions

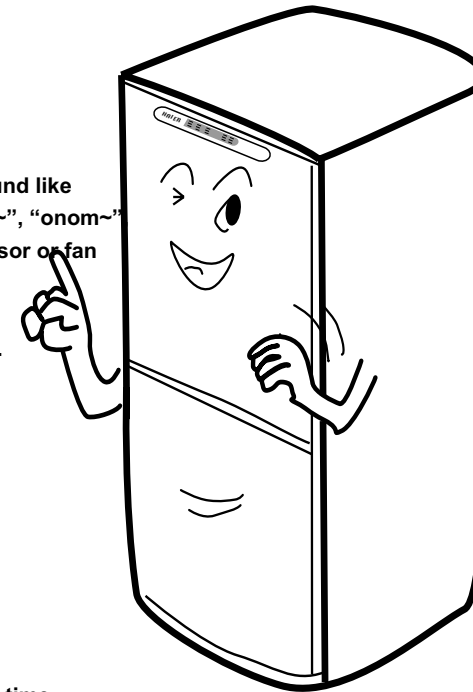
when you hear clatter, rattle sound

It is sound when some part of the fridge begin to operate or refrigerant flows, which is not faulty.

The compressor continues to work for a long time

When large quantity of food is stored or the ambient temperature is high, the operation time of the compressor becomes longer.

When you hear sound like "delerler~", "deke~", "onom~" it is from compressor or fan during start-up or stop, similar with that of automobile.



When the fridge operates the first time, the sound is maybe a bit larger to lower the temperature. After the temperature drops to some extent, the sound will become smaller.

When the fridge operates the first time, the temperature of the fridge and compressor may increase, and the operation time is lengthened.

When there is dew outside the fridge

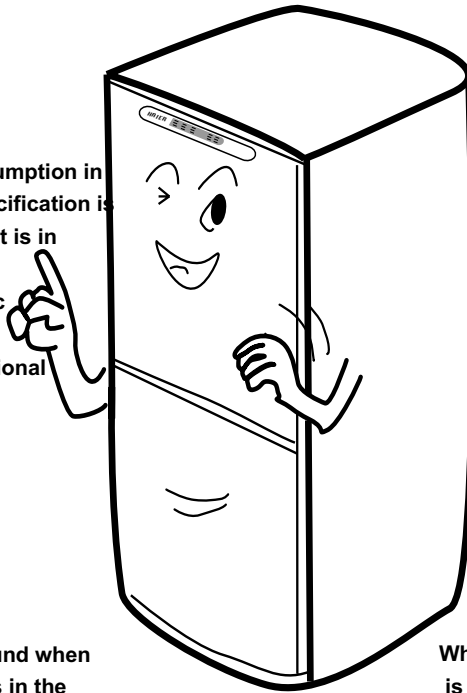
The fridge is put in humid place, or during summer especially rain season, it is humid and hot, there will be dew on surface of the cold fridge, wipe them with dry cloth.

Problems and Solutions

There is heat radiation at the back of the fridge, and the temperature there is high, which is normal.

The installation position affect vibrating sound and its power. Sound can be reduced when the fridge is good leveled.

The power consumption in the product specification is measured after it is in operation for 24 hours in specific temperature according to national standards.



When temperature and humidity are high $>32^{\circ}\text{C}$ and $\geq 70\%$, frost will appear in the fridge, lower the temperature setting.

The gurgling sound when refrigerant flows in the evaporator is like water flow.

When the ambient temperature is lower than 8°C , the fresh food compartment can stop operation. Adjust the fresh food compartment temperature to 7°C , and it can save energy.

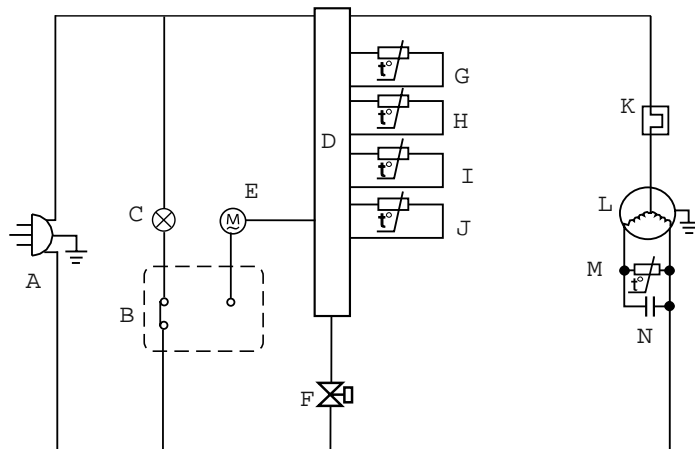
Service Request and Issues that require to be confirmed

Phenomenon	Issues that require to be confirmed	Measures
The fridge doesn't work	Is it power failure? Is the plug inserted well? Is the power supply 220V?	Check whether other appliances work. Insert the plug well. If it is 110V, connect raising power transformer.
The cooling is not enough	Did you put hot food into the fridge? Is there too much stored food in the fridge? Is the distance between the fridge and other entity too near? Is the ambient temperature below 5°C or above 43°C ?	Hot food has to be cooled before it is put into the Leave proper clearance between foods. Leave space between the fridge and its nearby entities. Refer to installation method, put the fridge in place where ambient temperature is $5^{\circ}\text{C} \sim 43^{\circ}\text{C}$.
Large Noise or Abnormal noise	Is the floor under the fridge firm and flat? (Noise is relatively large on stone or wood floor) are there any entity at the back of the fridge?	Put the fridge on firm and flat floor. Take away entity at the back of the fridge.
Bad smell in the fridge	Is strong smell food sealed well? Are containers close well?	Store the strong smell food in sealed container or bag. Close the containers well
Dew inside the fridge	did you put hot food in the fridge? Is the door open for a long time? Did you open doors too often? Is the container that stores high water content food close well?	Cool the hot food first before store in the fridge Wipe with dry cloth Reduce open door times. Put food in container with cover or sealed well.
There is frost	Is the door close well? Did you put hot food in the fridge? is the stored food congested?	The stored food shall not affect the close of the door. Cool the hot food before store it. There shall be clearance between stored food.

Products Specifications

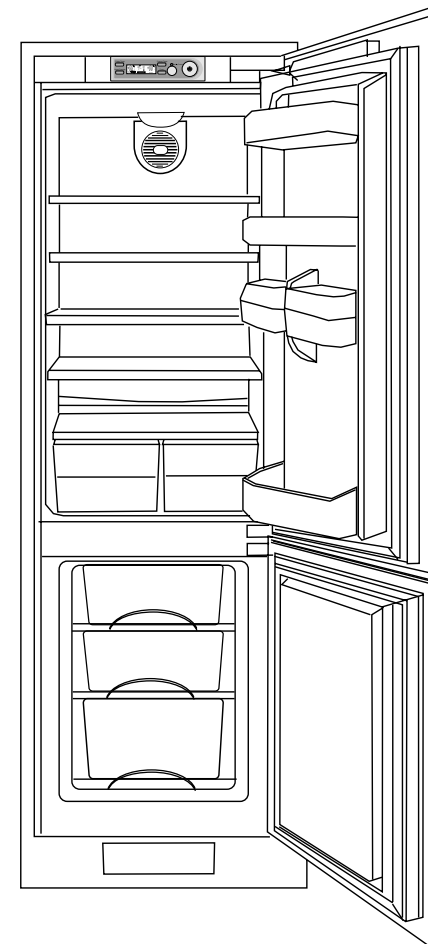
Model	HRF-305
Climate Type	ST,N,SN
Anti-shocking protection Classification	I
Total Capacity	273l
Fresh food compartment/Freezer (capacity)	199l/74l
Rated Voltage	220V
Rated Frequency	60Hz
Rated Motor Power	120W
Refrigerant	R600a 55g
Cooling Capacity	10kg/24h
Weight	70kg
LengthXDepthXHeight (mm)	540×544×1773
Power cord connection mode	Y

Circuit Diagram



- A.Plug B.Switch C. Light D. Mother Board
- E. Fan F. Electric Solen G. Sensor1 H. Sensor2
- I. Sensor3 J. Sensor4 K. Over-voltage Stop Device L. Compressor
- M. PTC N. Capacitor

HRF-305

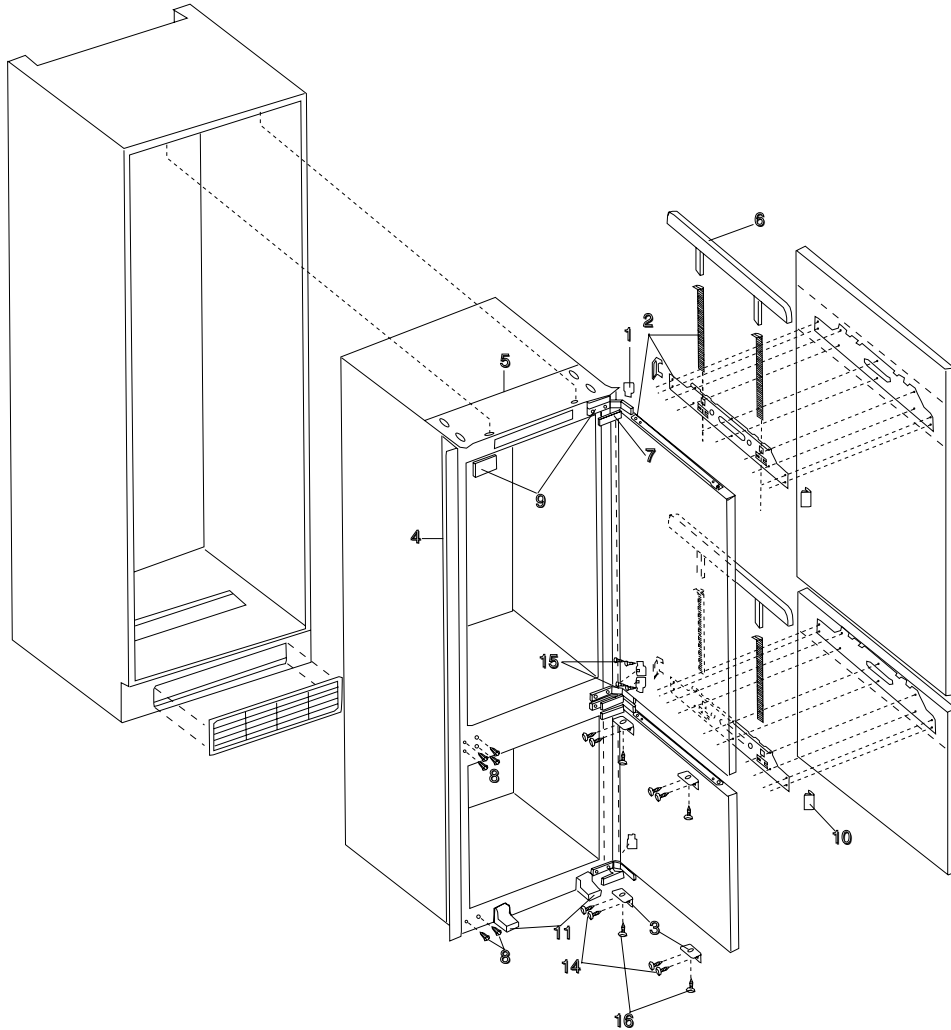


Note

- **During transportation and installation, do not squeeze power cord.**
Damaged power cord may cause fire disaster.
- **Do not dismantle the refrigerator, except it is indicated in the manual.**
Otherwise, there may be electrical shock, fire hazards.
- **After installation, do not throw this instruction, and keep it properly together with the refrigerator manual.**
- **After you connect the power cord during and after installation, you have to confirm the refrigerator can function well.**
- **It is better that the installation work is carried out by 2 or more personnel, or hazard may happen.**

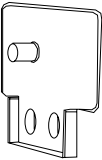
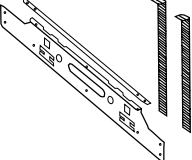
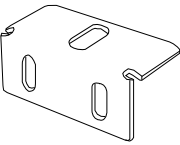
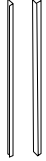
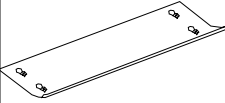
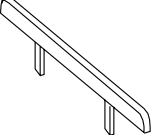
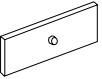
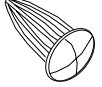
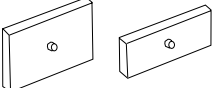
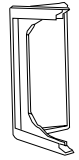
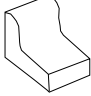
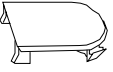
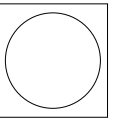

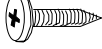
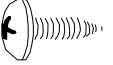
Combination Refrigerator(HRF-305)

Exploded View



Combination Refrigerator(HRF-305)

Components list

1. sheet to adjust clearance 	2. Upper fixing board 	3. Lower fixing plate 	4. side gasket (rubber) 
4 piece (connected)	3 categories 2 pieces(connected)	4 pieces (connected)	2 pieces
5. upper pad (Steel) 	6. upper fixing board cover 	7. hinge cover 	8. Hinge hole sheet 
1 (Connected)	2 (Connected)	4 (Connected)	6 (Connected)
9. operating board left and right cover  (Hinge opposite side)(hinge side)	10. upper fixing board cover (L & R) 	11. foot cover 	12. upper gasket bolt cover 
2 categories 1 each (Connected)	4	2	2
13.furniture door Hinge Hole trims 	14. wood screw 	15. Hinge fixing screw (horizontal) 	16. lower fixing board screw (UP) 
it is used when connecting door with cabinet as per furniture hinge hole	2—20 3—8 5—2 11—2 3x12	4x16	5x16
5	32	8	4

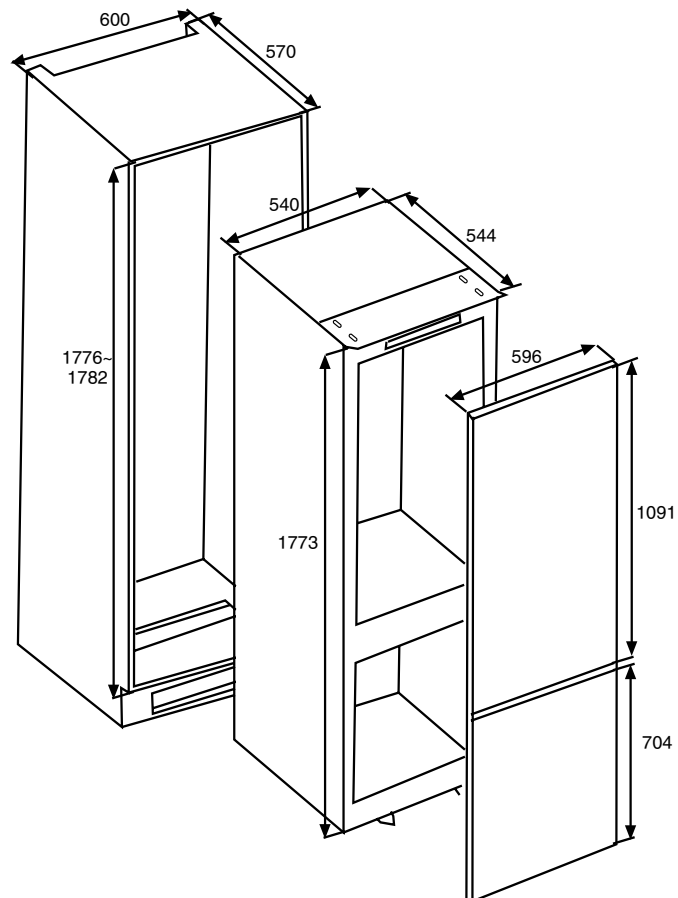
There are two type of sheet thickness T15 and T18 of the kitchen furniture cabinet

Installation Sequences

This is the installation sequence of right open cabinet. . (HRF-305)
 Move the hinge from right to left for the left open cabinet, and install accordingly.

1. Basic Dimensions

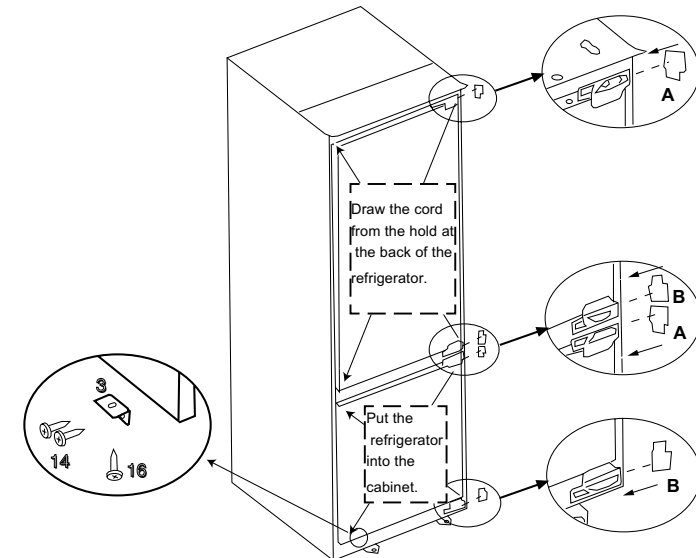
- Refrigerator cabinet: Width (outside) Width (inside)
- Confirm the right angle of every refrigerator cabinet
- Confirm the refrigerator cabinet air inlet and outlet
- refrigerator cabinet door (Upper): Width◇Height
- Refrigerator cabinet door (Lower): Width◇Height



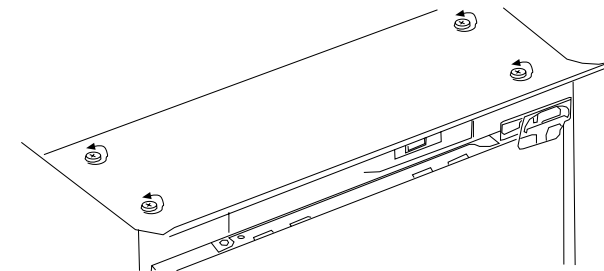
Installation Sequences

2. Preparations before freezer cabinet installation

- ① Clearance adjusting sheet is already connected to hinge. (4 pieces)
 They have to be take off when T18 cabinet is used
 When you install T15 furniture, they don't need to be taken off. If you want to open from the left, swap the upper and the lower parts.
- When you change to left open door, install the hinge in the left.
 The hinge positions shall be swapped.
 L/Upper \times R/Upper
 L/Lower \times R/Lower
- Confirm the fixing plate in lower part of component ② is installed well.



- Loose the 4 fixing screws in the upper gasket sheet so that it can move back and forth.



Installation Sequences

3. Put the refrigerator into the cabinet

1. Put the refrigerator into cabinet, don't squeeze the cord.

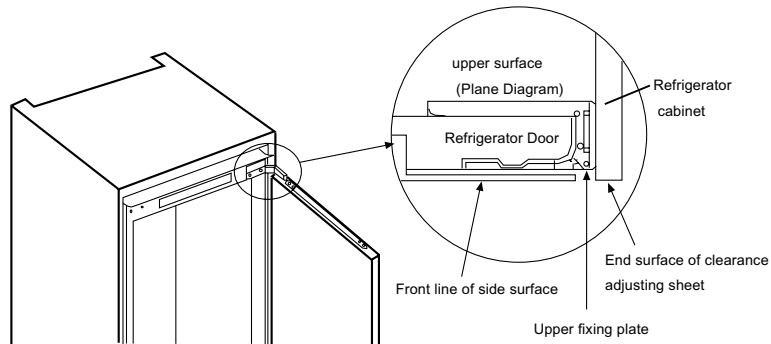
Damaged power cord may cause fire disaster.

2. Connect the power.

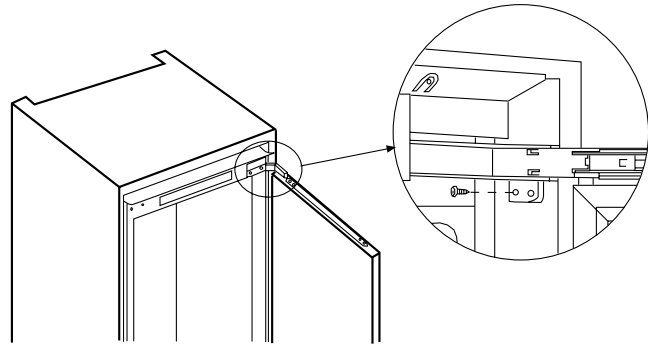
(If the socket is at the back of the cabinet, first connect the power before put the refrigerator cabinet into its place.)

3. For safeties, put the power switch in off position, and the switch of the whole room as well.

- Draw the cord from the hole at the back of the refrigerator cabinet.
- Put the refrigerator into the cabinet.
- ① The clearance-adjusting sheet shall stick tightly with side panel.
- ② The front of the upper fixing plate shall align with the end surface of the side panel.
- The left and right clearance between refrigerator and the cabinet shall be kept the same.
- Adjust hex screw to adjust the refrigerator's height, and adjust the uprightness and horizon. (Screwdriver can be found in the installation kit.)



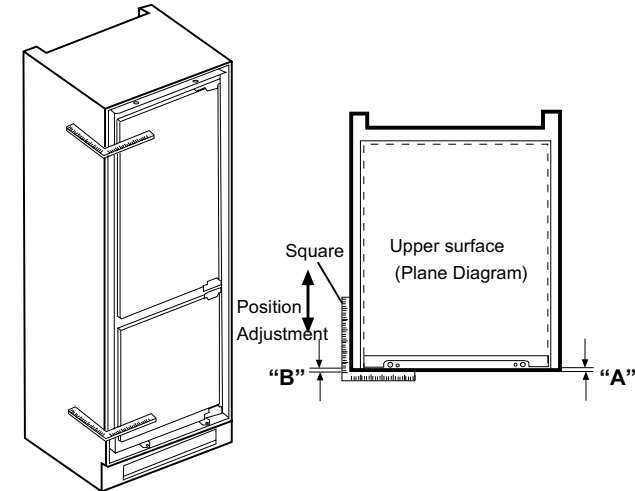
- The side surfaces of hinge shall be fastened by screws _ .
(2 pieces: 1 screw is fastened on the first hinge, and another one on the 4th hinge)



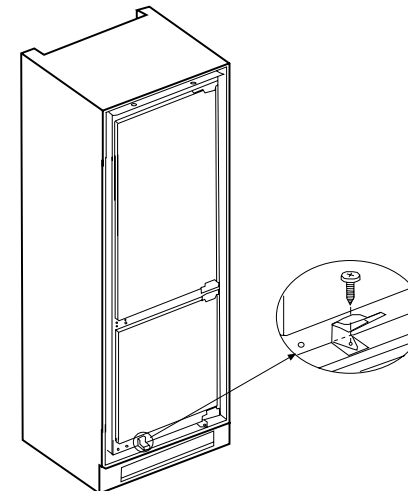
Fasten the other hole on hinges after installation of the refrigerator door.

Installation Sequences

- The front of the refrigerator cabinet door shall be adjusted by square or steel rule and "A" and "B" shall be the same.



- 11foot cover is put at the back of the foot, and fasten its left side by wood screw. (1 piece)

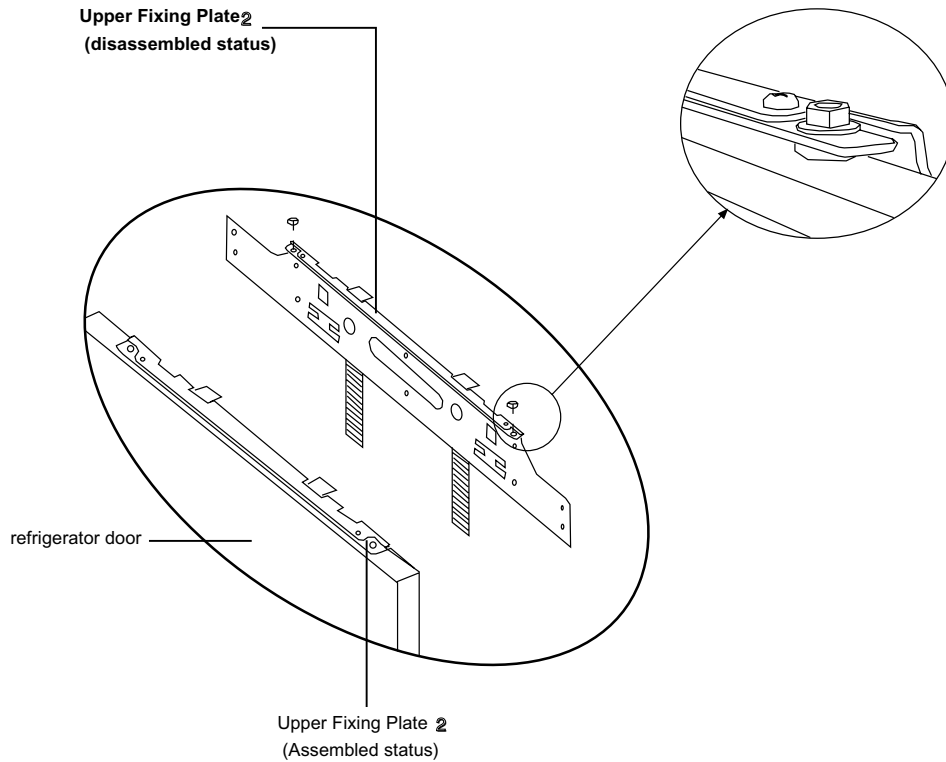


- Fasten the other parts of the foot after the refrigerator door is installed.

Installation Sequences

4. Dismantling of the upper fixing plate

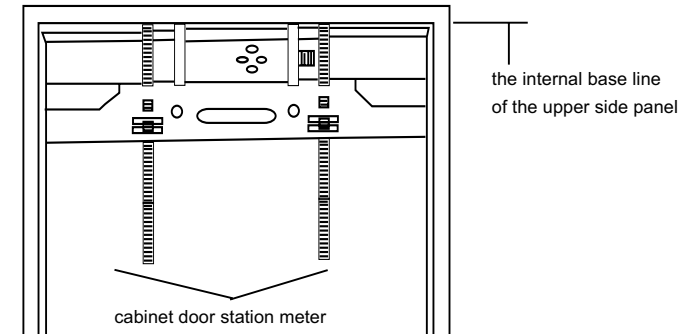
- Open the refrigerator door, and draw out upward the 2 upper fixing plate cover of 6 the upper fixing plate. (2 each in the upper and lower door) _ they are stored separately
- Loose 2 hex screw fixing 2 upper fixing plate. (2 each in the upper and lower door) _ they are stored separately
- Raise and disassemble 2 upper fixing plate on the refrigerator cabinet door. (2 each in the upper and lower door) _ they are stored separately
- The upper fixing plate is used when you install refrigerator cabinet door. (for installation method, please refer page 15~17)



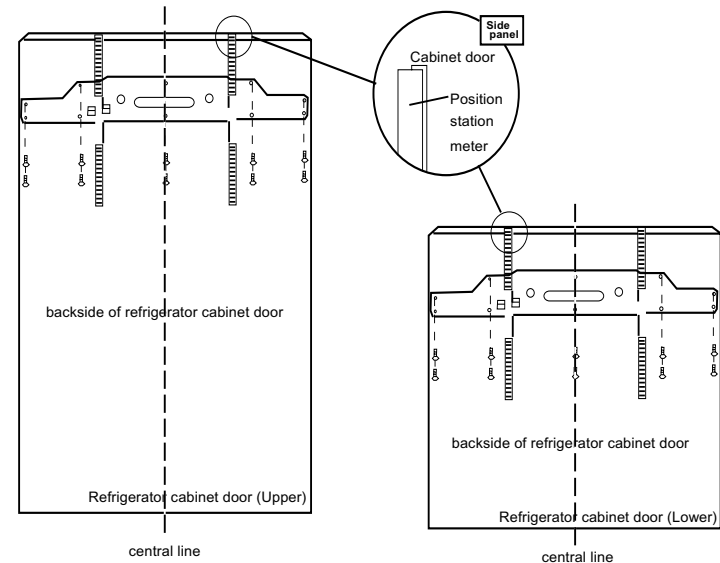
Installation Sequences

5. Connecting the upper fixing plate and refrigerator cabinet door

- Put the disassembled 2 upper fixing plate and cabinet door as shown in the diagram, turn the hex screw a little.
- Draw the cabinet door station meter on the 2 upper fixing plate to the internal base line of the upper side panel.



- after aligning the height of upper side panel, separate the upper fixing plate and the cabinet. (Refer to page 14)
- Put the refrigerator cabinet door backside up flatly on a clean floor, and put 2 upper fixing plate as shown tightly against the upper end line of furniture.
- adjust the position, and align the central lines of upper fixing plate and cabinet door, and fix with wood screws. (10 places each)

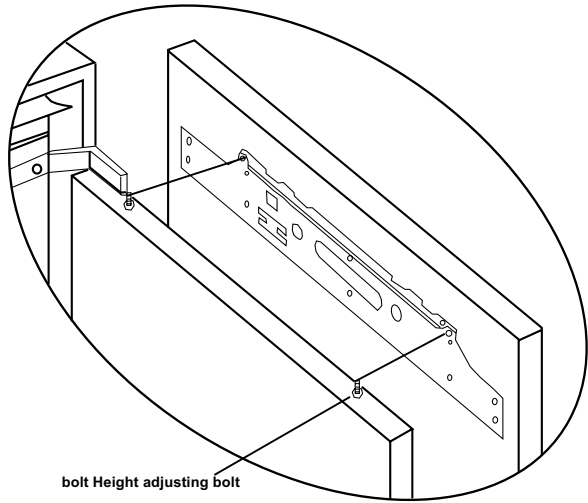


- Draw out the station meter from the upper fixing plate.

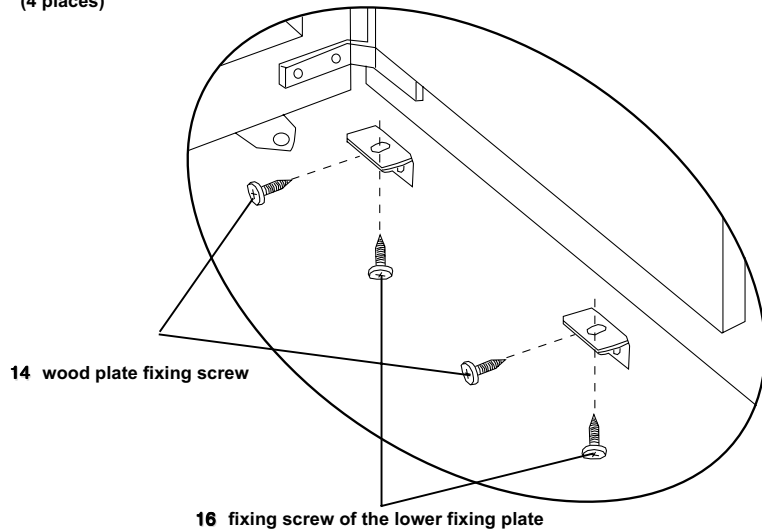
Installation Sequences

6. Installation method of the refrigerator cabinet door

- Open the refrigerator door, hang the refrigerator cabinet door on the height adjusting bolt in the upper side of the refrigerator, and fix with hex nut. (it shall not be too tight, and it shall be movable! / 2 in the left and right)
- Close the door and the screw shall not be tightened, and adjust the left and right clearance of the upper end.



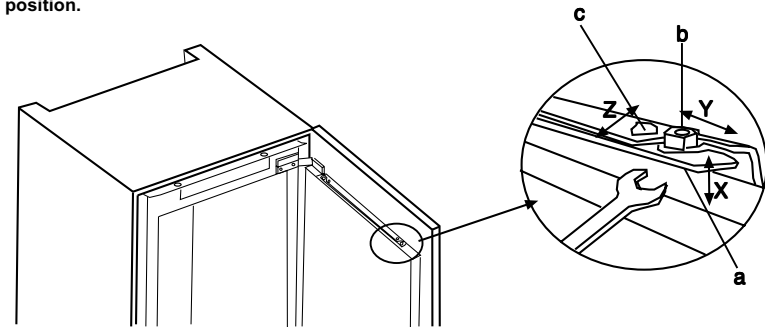
- Check the uprightness and level, turn slightly 16 fixing screw of the lower fixing plate and 14 wood screw. (4 places)



Installation Sequences

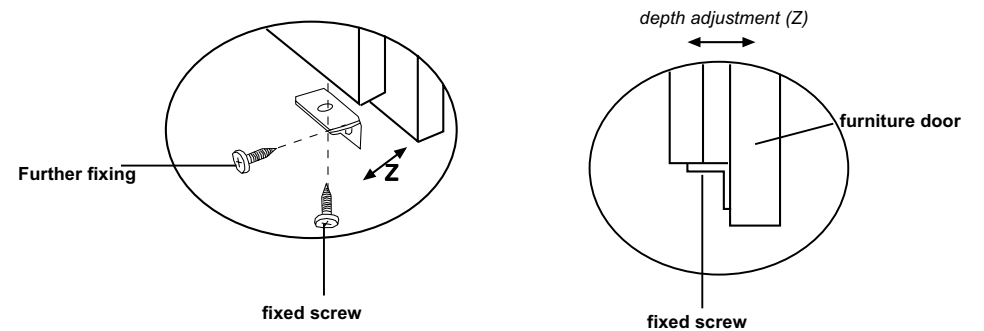
7. adjustment method of the height, left and right, depth of the refrigerator cabinet door the upper end adjusting method of the door

- Fix the upper hook of the refrigerator door referring refrigerator cabinet door installation method.
- Use spanner to turn (a) height adjusting nut to adjust height (X). (About 5mm)
In case it is difficult to adjust, check the left and right clearance of the upper fixing plate and position.
- Loose (b) the left and right adjusting nut a bit, and move the left and right of the refrigerator cabinet door to adjust the left and right position (Y). (about 5mm)
In case it is difficult to adjust, check the left and right clearance of the upper fixing plate and position.
- Loose (c) the depth adjusting nut a bit, move the refrigerator cabinet door and adjust the depth and then tighten. (about 3mm)
In case it is difficult to adjust, check the left and right clearance of the inner line of the refrigerator cabinet and position.



Lower end adjusting method of the door

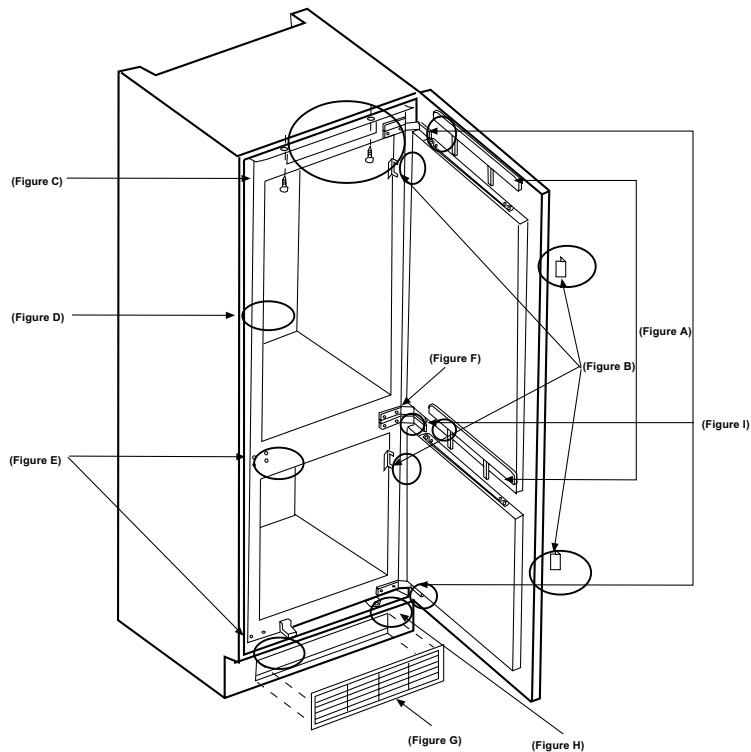
- Loose the screw a bit, and adjust the depth (Z) and then tighten it.
- Adjust the rest holes of the lower fixing plate with _ wood screw, after adjusting the left and right of the refrigerator cabinet door.



Installation Sequences

8. wind-up work

- Insert 6 upper fixing plate cover into upper fixing plate. (2 places, refer to Figure A on Page 19)
- Insert 10 upper fixing cover into upper/lower (left/ right) sides. (4 places, refer to Figure B on Page 19)
- Fix 5 upper gasket sheet with 14 wood screw, and insert 12 bolt cover.
- put 2 4 side gaskets into the left and right clearance between the refrigerator and the cabinet, and stick them well. (Refer to Figure D on Page 19: Stick the magnetic part of gasket to the side panel of refrigerator.)
- When change the hinge position, remember to insert 8 hinge hole sheet. (6 places, refer to Figure E on Page 20)
- Insert 7 hinge cover. (4 places, refer to Figure F on Page 20)
- Install ventilation grill at the mop plate section of the refrigerator cabinet. (It is provided separately) (Refer to Figure G on Page 20)
Fix the ventilation grill on the plug-in in the mop plate.
- Draw back the cover and fix the unfixed right side section of the refrigerator foot. (Refer to Figure H on Page 20)
- Use 15 hinge fixing screw to fix the hinge fixing hole. (refer to Figure I on Page 20)
- Connect the power cord and confirm that it can function well.



Installation Sequences

Figure A Assembly Method

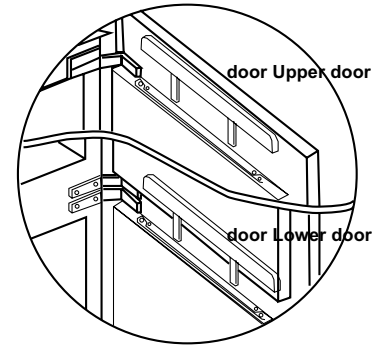


Figure B Assembly Method

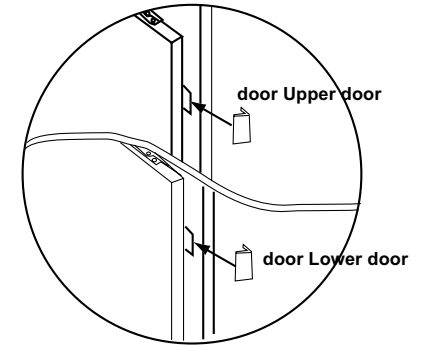
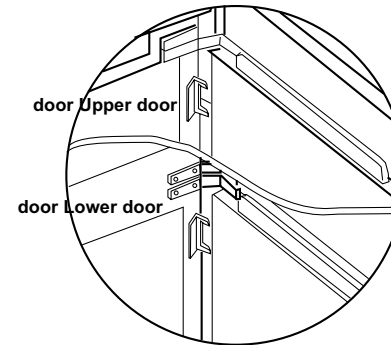


Figure C Assembly Method

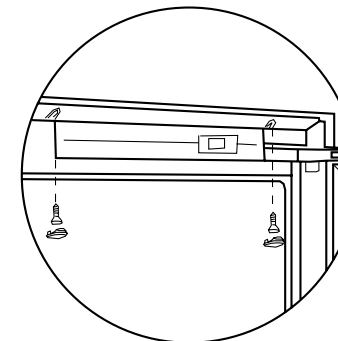
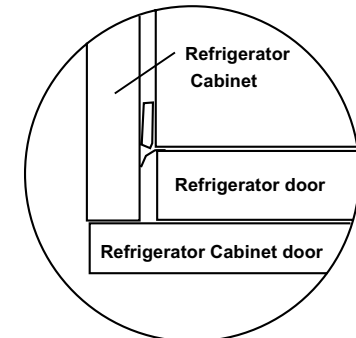
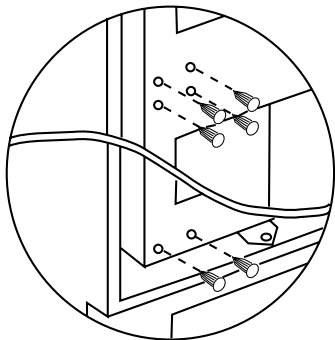


Figure D Assembly Method



Installation Sequences

Figure E Assembly Method



When it is left-open door, take off 8 hinge hold sheet, and change the position of hinge. That is to insert 8 hinge hole sheet to the hinge fixing hole on the other side.

Figure F Assembly Method

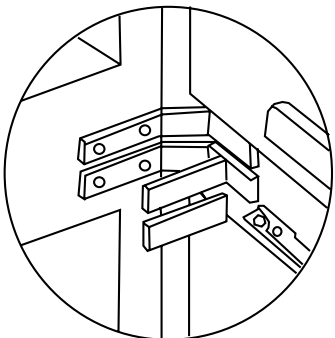


Figure G Assembly Method

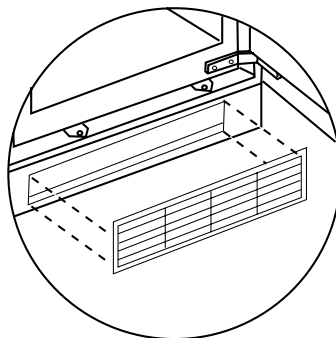


Figure H Assembly Method

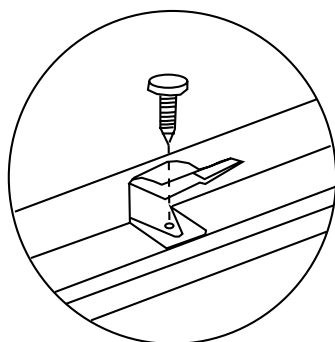
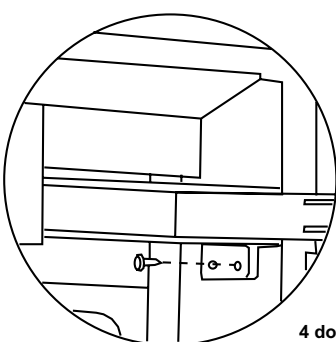


Figure I Assembly Method



4 doors