

ZANUSSI

REFRIGERATOR-
FREEZER

ZFC 50/17

ZFC 50/17 AL

INSTRUCTION BOOKLET

CONTENTS

Warnings page	3
Conservation page	4
Installation page	4
Positioning page	4
Before using page	4
The electrical connections page	5
Door reversal directions page	6
Your appliance. page	7
Operation page	8
Refrigerator/Freezer - Starting-up and temperature regulation page	8
The freezer compartment page	8
Temperature control page	8
Freezing fresh food page	8
Frozen food storage page	8
Thawing, Ice making, Fresh food refrigeration page	9
Positioning the door shelves page	9
Health and safety guidelines page	10
Cool check temperature guide, Starting the appliance page	11
Everyday use of the cool check temperature guide page	11
Defrosting page	12
Maintenance and cleaning page	13
Internal cleaning, external cleaning page	13
When the appliance is not in use, changing the light bulb page	13
What happens if something goes wrong? page	14
Guarantee conditions. page	15

TECHNICAL SPECIFICATIONS

DIMENSIONS

Height	125.7 cm
Width	50 cm
Depth	60 cm

POWER SUPPLY VOLTAGE AND FREQUENCY 220-240 V / 50 Hz

TOTAL POWER ABSORBED 130 W

AVERAGE DAILY UNITS ELECTRICITY* 0.98 kWh

GROSS CAPACITY

Fridge	138 l
Freezer	42 l

NET CAPACITY

Fridge	136 l
Freezer	42 l

STAR RATING



* This figure is based on standard test results in accordance with European Standard EN153. Actual consumption will depend on how the appliance is used and where it is located.

WARNINGS

IT IS MOST IMPORTANT THAT THIS INSTRUCTION BOOK SHOULD BE RETAINED WITH THE APPLIANCE FOR FUTURE REFERENCE. SHOULD THE APPLIANCE BE SOLD OR TRANSFERRED TO ANOTHER OWNER, OR SHOULD YOU MOVE HOUSE AND LEAVE THE APPLIANCE, ALWAYS ENSURE THAT THE BOOK IS SUPPLIED WITH THE APPLIANCE IN ORDER THAT THE NEW OWNER CAN GET TO KNOW THE FUNCTIONING OF THE APPLIANCE AND THE RELEVANT WARNINGS.

THESE WARNINGS ARE PROVIDED IN THE INTEREST OF SAFETY. YOU MUST READ THEM CAREFULLY BEFORE INSTALLING OR USING THE APPLIANCE.

- “ This appliance is designed to be operated by adults. Children should not be allowed to tamper with the controls or play with the product.
- “ Any electrical work required to install this appliance should be carried out by a qualified electrician or competent person.
- “ This product should be serviced by an authorised ZANUSSI Service Centre, and only genuine spare parts should be used.
- “ It is dangerous to alter the specifications or modify this product in any way.
- “ Care must be taken to ensure that the appliance does not stand on the electrical supply cable.
- “ ZANUSSI domestic refrigerators, freezers and fridge/freezers are designed to be used specifically for the storage of edible foodstuffs only.
- “ There are working parts in this product which heat up. Always ensure that there is adequate ventilation as a failure to do this will result in possible food loss. See installation instructions.
- “ Parts which heat up should not be exposed. Wherever possible, the back of the appliance should be close to a wall but leaving the required distance for ventilation as stated in the installation instructions.
- “ Before defrosting, cleaning or maintenance work is carried out, be sure to switch off the appliance and unplug it.
- “ Frozen food must NOT be re-frozen once it has thawed out.
- “ Do not place carbonated or fizzy drinks in the freezer as it creates pressure on the container, which may cause it to explode, resulting in damage to the appliance.
- “ The cooling plate or refrigerated freezer shelves in this appliance contain channels through which the refrigerant passes. If these are punctured this would cause substantial damage to the appliance and result in food loss. DO NOT USE SHARP INSTRUMENTS to scrape off frost or ice. Under NO circumstances should solid ice be forced off the lining or shelves. Solid ice should be allowed to thaw, when defrosting the appliance. See Defrost instructions.
- “ The appliance should be left for 2 hours after installation before it is turned on in order to allow the refrigerant to settle.
- “ This appliance is heavy. Care should be taken when moving it.
- “ Do not remove items from the freezer if your hands are damp/wet, as this could cause skin abrasions or “frost/freezer burns”.
- “ Ice lollies can cause “frost/freezer burns” if consumed straight from the freezer.
- “ Manufacturers’ storage recommendations should be strictly adhered to. Refer to relevant instructions.
- “ Under no circumstances should you attempt to repair the appliance yourself. Repairs carried out by inexperienced persons may cause injury or serious malfunctioning. Refer to your local ZANUSSI Service Centre and always insist on genuine spare parts.

CONSERVATION

In the interests of the Environment:

When disposing of your old fridge, freezer or fridge/freezer.

Help to keep your country tidy – use authorised disposal sites for your old appliances.

For maximum efficiency:

Make sure that the appliance is cleaned properly.

Make sure that the door is closed properly.

Do not position the appliance near to sources of heat.

Do not over-fill your appliance, air MUST be allowed to circulate.

INSTALLATION

Warning

IF YOU ARE DISCARDING AN OLD APPLIANCE THAT HAS A LOCK OR CATCH ON THE DOOR, YOU MUST ENSURE THAT IT IS MADE UNUSABLE TO PREVENT YOUNG CHILDREN BEING TRAPPED INSIDE.

Depending upon the position you choose for your appliance, you may wish to reverse the way in which the door opens. To do this, refer to instructions on “Door reversal directions” paragraph.

Positioning

This appliance is designed to operate in ambient temperatures between 10°C (50°F) and 32°C (90°F). It should be located in a dry atmosphere, out of direct sunlight and away from extreme temperature e.g. not next to a cooker or other sources of direct heat, or in a very cold room e.g. an outhouse, where the temperatures may fall below 10°C (50°F). If these temperatures are exceeded i.e. colder or warmer, then the appliance may not operate correctly.

You should also ensure that air can circulate freely around the back and the top of the cabinet. There must also be at least 100 mm (4”) distance between the top of the cabinet and any overhanging kitchen furniture (Fig. 1-A). Ideally, the appliance should not be positioned beneath overhanging furniture (Fig. 1-B).

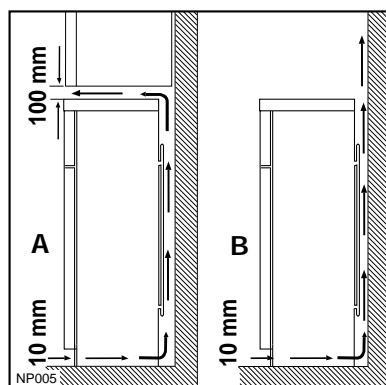


Fig. 1

There should also be a gap of 25 mm either side of the appliance. Do not obstruct the space underneath. The back of the cabinet may be placed close to the wall but must not touch it. DO NOT

install in places with restricted ventilation.

Adjust the level of the appliance by screwing out the adjustable foot, or feet, at the bottom of the cabinet using your fingers or a spanner (see Fig. 2).

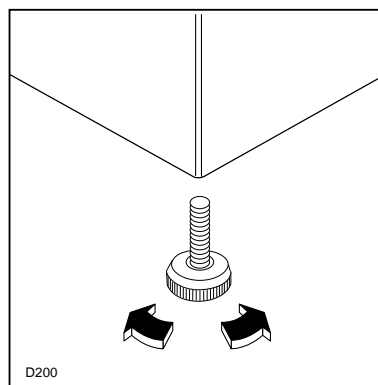


Fig. 2

Before using

Remove all securing tapes. Wash inside the appliance with lukewarm water and a little bicarbonate of soda (one teaspoonful to one quart of water). Do not use soap or detergent as the smell might linger. Dry thoroughly.

Rear spacers

The plastic bag containing all relevant documentation also contains two spacers to be fitted into special holes in the back of the appliance. Fit the spacers into the holes, taking care to ensure that the arrow (A) is positioned as shown in Fig. 2a. Then turn them through 45° (arrow (A) vertical) until they lock into place.

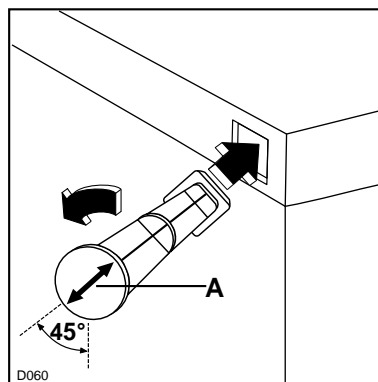


Fig. 2a

The electrical connections

WARNING: THIS APPLIANCE MUST BE EARTHED.

The manufacturer declines any liability should this safety measure not be observed.

If the plug that is fitted to your appliance is not suitable for your socket outlet, it must be cut off and the appropriate plug fitted.

Remove the fuse from the cut off plug.
The cut off plug should then be disposed of to prevent the hazard of shocks in case it should be plugged into a 13amp socket in another part of your home.

Important

The wires in the mains lead are coloured in accordance with the following code:

Green and Yellow	- Earth
Blue	- Neutral
Brown	- Live

If you fit your own plug, the colours of the wires in the mains lead of your appliance may not correspond with the markings identifying the terminals in your plug, proceed as follows:

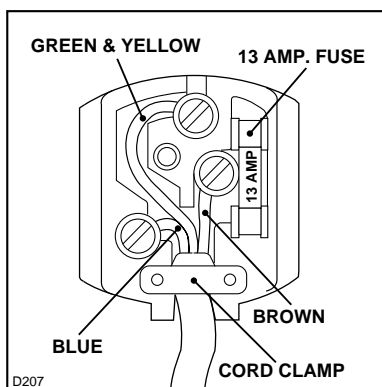


Fig. 3

Connect the Green and Yellow (earth) wire to the terminal in the plug which is marked with the letter «E» or the earth symbol \oplus , or coloured green and yellow.

Connect the blue (neutral) wire to the terminal in the plug which is marked with the letter «N» or coloured black.

Connect the brown (live) wire to the terminal in the plug which is marked with the letter «L» or coloured red.

The plug moulded onto the lead incorporates a fuse. For replacement, use a 13amp BSI362 fuse. Only ASTA or BSI approved fuses should be used.

The plug must not be used if the fuse cover/carrier is lost. The cover/carrier is indicated by the coloured insert at the base of the plug.

A replacement cover/carrier must be obtained from your local Zanussi Service Force Centre whose address is listed in the Customer Care Booklet which accompanies your instruction manual.

This appliance complies with the E.E.C. Directive No. 87/308 of 2.6.87 relative to radio interference suppression.

CE This appliance complies with the following E.E.C. Directives:

- 73/23 EEC of 19.2.73 (Low Voltage Directive) and subsequent modifications;
- 89/336 EEC of 3.5.89 (Electromagnetic Compatibility Directive) and subsequent modifications.

Please ensure that when the appliance is installed it is easily accessible for the engineer in the event of a breakdown.

Door reversal directions (Fig. 4)

Before carrying out the operations described below, pull out the mains plug from the wall socket.

Gently lay the fridge/freezer on its back with the top held away from the floor by 5-8 cm (2-3 inches) of packing;

Remove the plastic cover (6) (which clips in) masking the bottom hinge.

Remove bottom hinge (1).

Slide out the lower door from middle hinge (2) and remove the latter.

Slide out the upper door from pin (3), unscrew the latter and then screw it down into the hinge provided on the opposite side, after having removed the small plugs which should then be fitted on the opposite side.

Refit the upper door and the middle hinge on the opposite side.

Refit the lower door and bottom hinge (1) on the opposite side.

Refit the plastic cover (6) on the bottom hinge.

Blank off all unused holes with plugs (7).

Attention

After completion of the door reversibility operation, check that the door gasket adheres to the cabinet. If the ambient temperature is cold (i.e. in Winter), the gasket may not fit perfectly to the cabinet. In that case, wait for the natural fitting of the gasket or accelerate this process by heating up the part involved with a normal hairdrier.

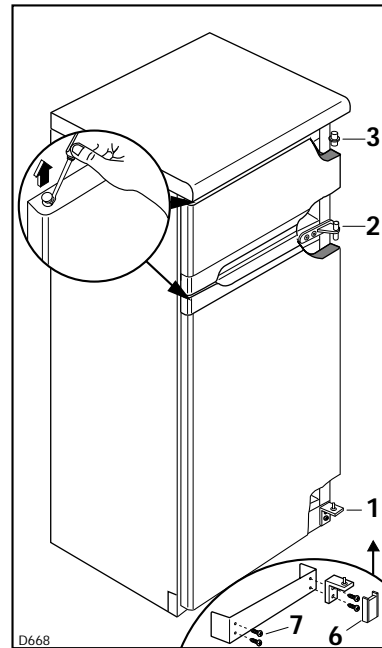
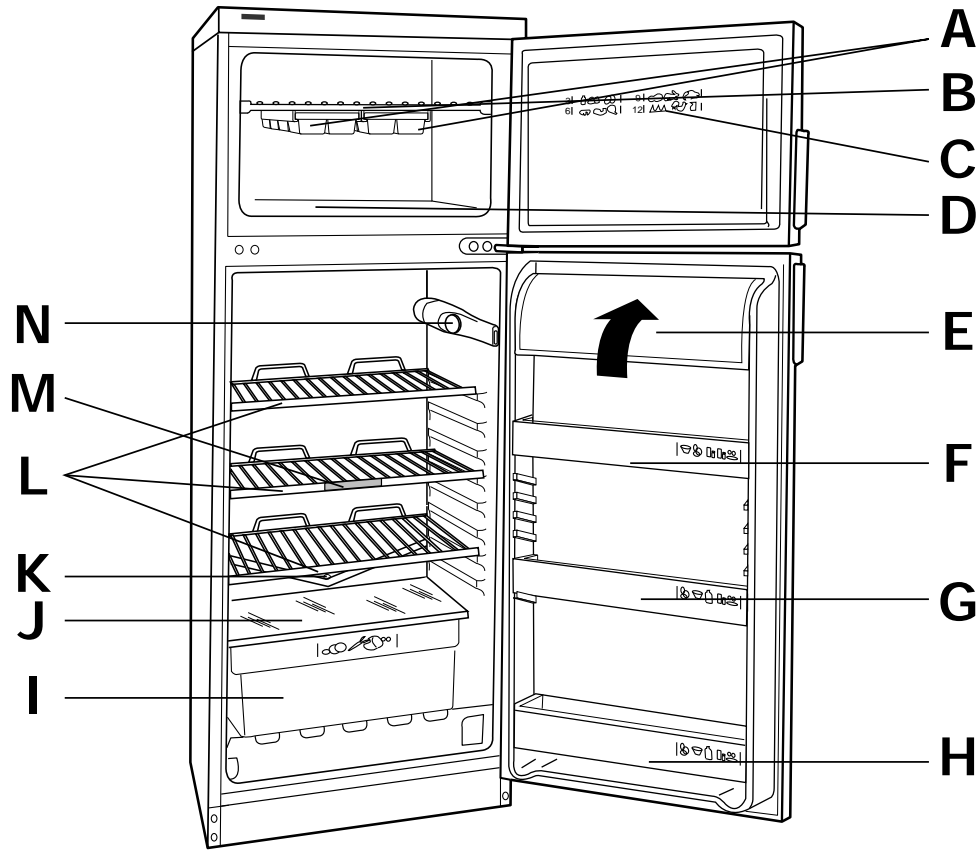


Fig. 4

YOUR APPLIANCE



A - Ice trays

B - Shelf for freezing fresh foods

C - Freezer calender (recommended storage times for frozen foods)

D - Frozen food storage

E - Dairy compartment (for dairy products to prevent tainting)

F - Shelf with egg trays

G - Can storage shelf

H - Bottle storage shelf

I - Salad crisper (to keep fruit and vegetables fresh)

J - Glass shelf (for storing fresh meat)

K - Drain channel

L - Cooked foods storage shelves

M - Cool check temperature guide

N - Thermostat control for both compartments

OPERATION

Refrigerator/Freezer - Starting-up and temperature regulation

Insert the plug into the wall socket. Open the refrigerator door and turn the thermostat knob, to be found on the upper right side of the inner liner, clockwise, from the «O» position, to start the appliance.

Temperature adjustment is obtained by turning the thermostat knob to the required setting. A medium setting of between 2-4 is generally the most suitable.

However, the thermostat knob setting should be adjusted depending on the temperature required inside the appliance.

This, in turn, depends on a number of factors such as the ambient temperature, the number of times the door is opened, the quantity of food stored and the location of the appliance.

Turn the knob clockwise, to higher numbers, to obtain a lower temperature, or anticlockwise if a higher temperature is required.

Important

If the fridge is not defrosting correctly, it is possible that because a very low temperature has been selected, the motor is working continuously, which prevents the defrost cycle from operating.

To ensure correct defrosting, a lower number should be selected on the thermostat and you should notice that the motor cuts out from time to time, which is correct.

If you wish to return to a lower temperature, turn the thermostat to a higher number, however you should turn the setting lower occasionally to allow automatic defrosting.

The freezer compartment

The four-star freezer compartment is suitable for storage of commercially frozen food and for freezing fresh foods.

Temperature control

The temperature within the freezer is controlled by the same thermostat which controls the temperature within the fridge. Normally, it is not necessary to adjust the thermostat setting when freezing fresh food.

Freezing fresh food

In any 24 hours you can freeze up to 3 kg.

Place food to be frozen on the shelf of the freezer as this is the coldest part.

The food to be frozen must be fresh and of the best quality.

The size of each pack should be small enough to ensure that it is used in one go. Small packs freeze quickly.

Frozen food, once thawed, must not be refrozen. Lean food keeps better and longer than fatty food, salt reduces the storage time.

Wrap the food in polythene or aluminium freezing bags or foil so that they adhere to the food and provide an airtight seal. Stick a label on each pack showing the contents and date of freezing. This makes it easy to check storage times.

Never place hot food, bottles or cans of fizzy drink in the freezer as they may explode. Containers with a lid must not be filled to the brim.

Do not open the door or place extra fresh food in the freezer next to food which is already frozen as this could cause the temperature of the frozen food to rise and its quality and storage life to reduce.

Frozen food storage

If the freezer has been out of use for some time, we advise you to run your appliance for at least two hours with the thermostat control to the highest number before storing frozen food.

Storing ready-frozen foods is quite straightforward. The packs can be placed beside each other or on top of each other.

You are strongly advised to place ready-frozen food in the compartment as quickly as possible after purchase. Also ensure that the external packaging is intact.

Packaging which is swollen or has traces of refrozen water droplets on the pack could indicate that the product has not been kept at a suitable temperature and that it may have lost its original quality. Partially thawed food must not be refrozen, it must be consumed within 24 hours. Never exceed the storage times indicated.

Do not open the freezer door too often and do not leave open longer than necessary.

Important

Do not consume ice-lollies which have just come out of the freezer. Their extremely low temperature can cause frost burns.

Do not remove items from the freezer if your hands are damp/wet, as this could cause skin abrasions or "frost/freezer burns".

Caution

In the event of a power cut the food in the freezer will not be affected if the power cut is short and if the freezer is full. Do not open the door. Should the food begin to thaw, it must be consumed quickly and must not be re-frozen.

Thawing

Food can be thawed in a number of ways, depending on the type of food and the size of the packs. Meat, fish and fruit should be thawed in the refrigeration compartment and small pieces of meat or poultry can even be cooked while still frozen, but you must ensure that it is thoroughly cooked through.

Vegetables should be directly immersed in boiling water; ready-cooked dishes can be placed directly in the oven in their aluminium wrapping.

A microwave oven is particularly suitable for thawing any type of frozen or deep-frozen food: follow the oven instructions, particularly regarding the placement of aluminium wrapping in the oven.

Ice making

Fill the ice trays with water to the top of each ice cube compartment, and place them in the freezer compartment. To release the ice cubes, twist the tray along its length.

Never use a sharp instrument to remove the ice trays.

Fresh food refrigeration

To obtain the best performance, do not store warm food or evaporating liquids in the refrigerator; do cover or wrap the food, particularly if it has a strong flavour.

Do not cover the shelves with any protective material, such as paper, cardboard or plastic, which may obstruct the air circulation through them.

To help you use your refrigerator correctly, here are some more useful hints:

Raw meat and poultry: wrap in polythene bags and place on top of the salad crisper.

Meat can only be stored safely in this way for one or two days at the most.

Fruit & vegetables: these should be thoroughly cleaned and placed in the bottom salad crisper.

Butter & cheese: these should be placed in special airtight containers or wrapped in aluminium foil or polythene bags to exclude as much air as possible.

Milk bottles: these should have a cap and should be stored in the bottle rack on the door.

The walls of the refrigerator are equipped with runners so that shelves can be positioned as desired (Fig. 5).

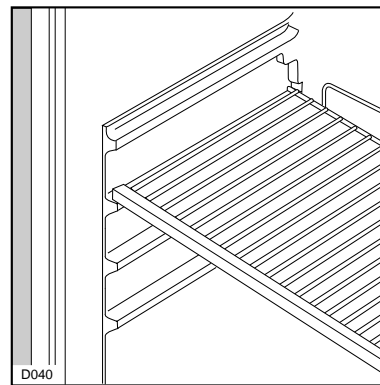


Fig. 5

Positioning the door shelves

To permit storage of food packages of various sizes, the door shelves can be adjusted in height.

To do this proceed as per Fig. 6.

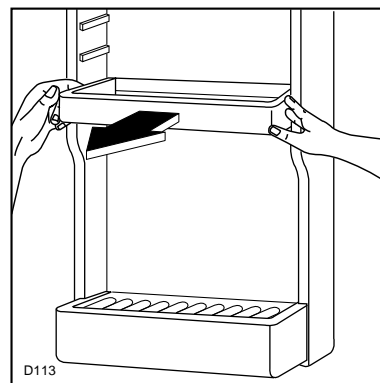


Fig. 6

HEALTH AND SAFETY GUIDELINES

Because of consumer demand, preservatives have been removed from many pre-prepared foods. This together with the changes in shopping habits to a once-a-week shop, mean that safe handling and storage of food is even more important than ever.

The following tips should help you to ensure that the food in your home is in as perfect condition as possible.

- “ Keep the time between buying chilled food and placing it in your fridge as short as possible. Tests showed that the temperature of 1 litre of orange juice rose to 22°C in an hour between the supermarket and home. It then took 11 hours to get down to 7°C in the refrigerator.
- “ Keep the refrigerator door closed as much as possible. Remember that warm air is flowing in as you are deciding what to have for tea!
- “ Do not push food together too much, try to allow air circulate around each item.
- “ Cool cooked food as quickly as possible but do NOT place in the refrigerator or freezer until cool. (Leave food in a place as cool as possible in order that it can then be placed in the refrigerator or freezer as soon as possible).
- “ Do NOT mix raw and cooked meat, they must be in separate containers. Take care not to let the meat juices drip onto other food. If the meat does drip, remove everything and clean thoroughly.
- “ Do not store food uncovered.
- “ The best way to defrost food is to put it in the refrigerator to thaw slowly.
- “ Remove suspect food from your refrigerator and clean the interior with a solution of bicarbonate of soda in warm water (5ml to 0.5 litre of water).
- “ Never allow spillages to dry and harden.
- “ Ensure that food placed in the freezer is dated and labelled and used in date order to ensure that food is consumed at its best.
- “ It is important that food is used before its “best before” date.
- “ Store eggs in the egg rack provided in the refrigerator door. Discard any broken or chipped eggs.
- “ Regularly check the refrigerator door seal to ensure that it is clean and free from bits and pieces.
- “ Always wash your hands with soapy water and dry them with a clean towel before handling food.
- “ Keep work surfaces clean and avoid cross contamination by not using the same work surface or knife, without washing them thoroughly in between.
- “ Use kitchen roll wherever possible for cleaning up food. If you use a dishcloth, be sure to boil it frequently.

Cool check temperature guide

This model has a cool check temperature guide fitted to a shelf in the fridge compartment. The guide is designed to show whether the fridge is operating at safe temperatures for all food types. The guide consists of a temperature sensitive strip sealed in the shelf trim.

When the fridge is operating at the safe temperature to store food, the guide will appear black. If the temperature in the fridges rises the guide will show the words TOO WARM. The temperature in the fridge may rise if the door has just been opened, the fridge has just been loaded with shopping or if the room temperature is higher than normal. See “Everyday use of the temperature guide” for further information.

The shelf with Cool Check temperature guide must be placed in the fridge according to the instructions located on the fridge wall and always ensure the guide is at the front.

When cleaning the shelf take care not to immerse the guide in water and wipe any spills from the holder quickly.

Important

The guide is only suitable for use in the model supplied and accurate temperature guidance cannot be guaranteed if transferred to other appliances. The guide will not work in the freezer compartment.

Starting the appliance

Check that the shelf with the Cool Check is positioned correctly (as described previously). Close the door and leave the appliance overnight to allow the temperature to reach a safe level.

If after waiting overnight the temperature guide still shows TOO WARM, adjust the thermostat to a higher number, close the door and allow to stand overnight.

A higher thermostat setting may be required to keep the fridge temperature at the safe storage level during warmer weather.

For more information on starting you appliance, see “Operation”.

Everyday use of the cool check temperature guide

During everyday use a fridge door is opened many times and as a result temperature fluctuation may occur. A Zanussi fridge is designed to cope with any changes in temperature but under certain conditions the temperature guide in the appliance may show TOO WARM.

What to do if the Cool Check temperature guide shows TOO WARM

The Cool Check guide may show TOO WARM if:

- 1. The fridge is switched off.**
ACTION: Start the appliance in accordance with the instructions.
- 2. The fridge door has recently been opened or is left open for more than approximately one minute.**
ACTION: As mentioned before the temperature guide is sensitive to changes in fridge temperature and opening the fridge door for prolonged periods may cause the guide to show TOO WARM. This should not cause concern as such fluctuations in temperature do not generally affect the safe storage of food.
Leave the fridge door closed for as long as possible so the temperature returns to a safe level, the guide should then appear black.
- 3. The fridge has been loaded with fresh shopping.**
ACTION: When fresh shopping or additional quantities of food are placed in the fridge, the temperature may rise and cause the guide to show TOO WARM.
Do not adjust the thermostat as the time taken for the guide to appear black will depend on the quantity and the temperature of food introduced.
- 4. The fridge temperature is above the recommended maximum for the safe storage of all food types.**
ACTION: To lower the fridge temperature, adjust the thermostat, then leave the appliance overnight before checking the guide again.
- 5. If the guide is still showing TOO WARM,** adjust the thermostat again, to a colder setting, and leave the appliance overnight before checking the guide again.

Defrosting

Refrigerator

The refrigerator automatically defrosts every time the compressor stops. The water is discharged, via the pipe, into a tray located at the back of the appliance above the compressor, where it evaporates.

Important

To avoid defrost water overflowing into the fridge, periodically clean the water discharge hole in the centre of the V shaped drip collector at the back of the refrigerator compartment behind the fruit and vegetable drawer. Use the special cleaner provided which you will find already inserted into the discharge hole (Fig. 7).

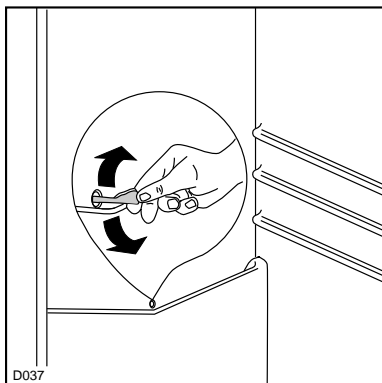


Fig. 7

Remember to wash the defrost cleaner in hot soapy water at regular intervals. Dry thoroughly before replacing.

Freezer

The freezer compartment will become progressively covered with frost.

When the frost has reached a thickness of up to 4mm it can be removed using the ice scraper provided with the appliance. During this operation it is not necessary to disconnect the appliance from the mains and remove the food. Never use metal tools for this operation.

However, when the ice becomes very thick on the inner liner, complete defrosting should be carried out.

For complete defrosting (once or twice a year) proceed as follows:

- turn the thermostat dial to the «OFF» position (O) or disconnect the appliance from the mains.
- Remove any food from inside the freezer and fridge, wrap it in several sheets of newspaper and store in a cool place.
- Leave the door open, place a basin on the top shelf of the refrigerator compartment, under the drain hole, lift the plug as shown in the figure 8.

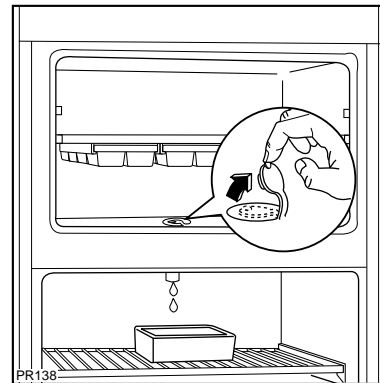


Fig. 8

- Clean and dry thoroughly.
- Reconnect the appliance to the mains or reset the thermostat to a functioning position.
- After letting the appliance run for a least half an hour, replace the previously removed food into the compartment.

Important

When defrosting the freezer, the fridge is also controlled by the thermostat and will not be operational during this period.

A temperature rise of the frozen food packs, during defrosting, may shorten their safe storage life.

Attention!

«In the event of a power failure causing the temperature within your freezer to rise, do not re-freeze the food without checking its condition. The following guidelines should assist you.»

Ice-cream: once thawed should be discarded.

Fruits & Vegetables: if soft should be cooked and used up.

Breads & Cakes: can be re-frozen without danger.

Shellfish: should be refrigerated and used up quickly.

Cooked Dishes: i.e. casseroles should be refrigerated and used up.

Large Pieces of Meat: can be re-frozen providing there are still ice crystals remaining within them.

Small Joints: should be cooked and can then be re-frozen as cooked dishes.

Chicken: should also be cooked and re-frozen as a cooked dish.

MAINTENANCE AND CLEANING

Before any maintenance or cleaning work is carried out, DISCONNECT the appliance from the ELECTRICITY supply.

Internal cleaning

Clean the inside and accessories with warm water and bicarbonate of soda (5ml to 0.5 litre of water). Rinse and dry thoroughly.

NEVER USE DETERGENTS, ABRASIVE POWDERS, HIGHLY PERFUMED CLEANING PRODUCTS OR WAX POLISHES, TO CLEAN THE INTERIOR AS THESE WILL DAMAGE THE SURFACE AND LEAVE A STRONG SMELL.

Clean the drain hole of the water trough at regular intervals and make sure that the drain hole is never obstructed, so that the defrost water may flow freely.

External cleaning

Wash the outer cabinet with warm soapy water. Do NOT use abrasive products.

Once or twice a year dust the condenser (black grill) and the compressor at the back of the appliance, with a brush or vacuum cleaner, see Fig. 9.

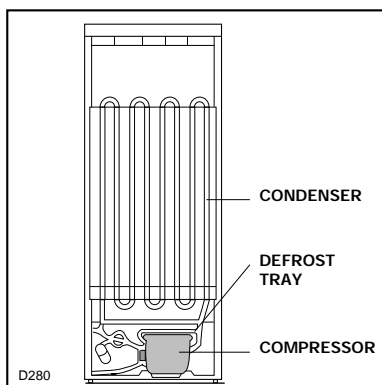


Fig. 9

You **MUST** ensure that the appliance is switched OFF. An accumulation of dust will affect the performance of the appliance and cause excessive electricity consumption.

When the appliance is not in use

When the appliance is not in use for long periods, disconnect from the electricity supply, empty all foods and clean the appliance, leaving the doors ajar to prevent unpleasant smells.

Changing the light bulb

Should the interior light fail to work, first switch off the appliance and disconnect from the electricity supply, then replace the bulb as follows;

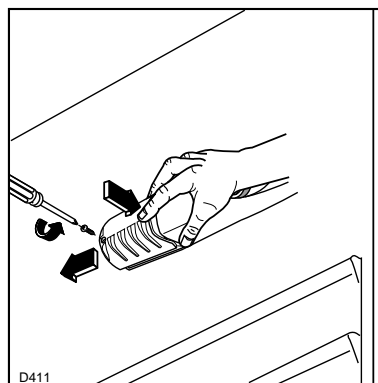


Fig. 10

unscrew the light cover and then pull it outward by pressing as shown in the Fig. 10. Unscrew the bulb and replace it with a new 15 watt bulb (available from your nearest Zanussi Service Force Centre).

Replace the light cover by sliding it into its original position and replacing the screw.

WHAT HAPPENS IF SOMETHING GOES WRONG?

Before contacting your local Zanussi Service Force Centre, check the following points:

The appliance does not work...

Check that:

- “ There is power at the socket.
- “ Ensure that there is not a power cut by checking the household lights.
- “ The fuse has not blown.
- “ The air circulation passages are not covered.
- “ The thermostat dial is in the correct position.

Vibration or abnormal noises...

- “ You may hear faint gurgling or bubbling sounds when the refrigerant is pumped through the coils of tubing at the rear, to the cooling plate/evaporator. When the compressor is on, the refrigerant is being pumped round, and you will hear a whirring or pulsating noise from the compressor.

A thermostat controls the compressor, and you will hear a faint “click” when the thermostat cuts in and out.

Traces of water on the bottom of the fridge compartment...

Check that:

- “ The defrosting water discharge hole is not obstructed.

The light does not come on...

Check that:

- “ The bulb is fitted correctly.
- “ Replace the bulb if it has blown.

Fridge does not defrost...

Check that:

- “ The thermostat setting is not too high (see page 8).

Other points to check...

Check that:

- “ Have you turned the thermostat to the correct setting?
- “ Have doors been left open causing the temperature to rise?
- “ Sometimes the freezer door will be difficult to open shortly after you have closed it. Don't worry this is due to pressure difference which will quickly equalise and allow the door to open normally.

If, after the above checks, there is still a fault, call your local Zanussi Service Centre, whose address can be found in the accompanying Customer Care Booklet, and can also be found in your local telephone directory under «Z». Please make sure you give the model and serial number of the appliance. This information can be found on the rating plate inside the fridge compartment on the left side behind the vegetable drawer, or on the guarantee certificate.

Original spare parts can be purchased from Zanussi Service Centres.

In-guarantee customers should ensure that the above checks have been made as the engineer will make a charge if the fault is not a mechanical or electrical breakdown.

Please note that proof of purchase is required for any in-guarantee service calls.

Before contacting your local Zanussi Service Centre, make a note of the model and serial number. This information can be found on the rating plate situated inside the cabinet behind the bottom fridge/freezer drawer.

SERVICE DETAILS - ADHESIVE LABEL

When you return your guarantee card to Zanussi Ltd., you will receive an Appliance Guarantee and Maintenance Record Card together with an adhesive label, containing the telephone number of your local Zanussi Service Centre. The label can be stuck to the machine or adjacent furniture.

PEACE OF MIND FOR TWELVE MONTHS

Zanussi standard guarantee conditions

This guarantee is in addition to your statutory and other legal rights which will not be excluded or in any way diminished by the return of this guarantee card.

We, Zanussi Ltd., undertake that if, within twelve months of the date of the purchase, this ZANUSSI appliance or any part thereof is proved to be defective by reason only of faulty workmanship or materials, we will, at our option, repair or replace the same **FREE OF ANY CHARGE** for labour, materials or carriage on condition that:

- “ The appliance has been correctly installed and used only on the electricity supply stated on the rating plate.
- “ The appliance has been used for normal domestic purposes only, and in accordance with the manufacturer's operating and maintenance instructions.
- “ The appliance has not been serviced, maintained, repaired, taken apart or tampered with by any person not authorised by us.

All service work under this guarantee must be undertaken by a Zanussi Service Centre.

Home visits are made between **8.30am** and **5.30pm** Monday to Friday. Visits may be available outside these hours in which case a **premium** will be charged.

Any appliance or defective part replaced shall become our property.

Exclusions

This guarantee does not cover:

- “ Damage or calls resulting from transportation, improper use or neglect, the replacement of any light bulbs or removable parts of glass or plastic.
- “ Costs incurred for calls to put right machines improperly installed or calls to machines outside the United Kingdom.
- “ Appliances found to be in use within a commercial environment, plus those which are the subject of rental agreements.
- “ Products of Zanussi manufacture which are **NOT** marketed by Zanussi Ltd.
- “ EU Countries - The standard guarantee is applicable but is subject to the owner's responsibility and cost to ensure the appliance meets the standards set by the country to which the product is taken. The Zanussi Company in the country concerned will be pleased to advise further. Sight of your purchase receipt will be required by them.

