



The Office Professionals





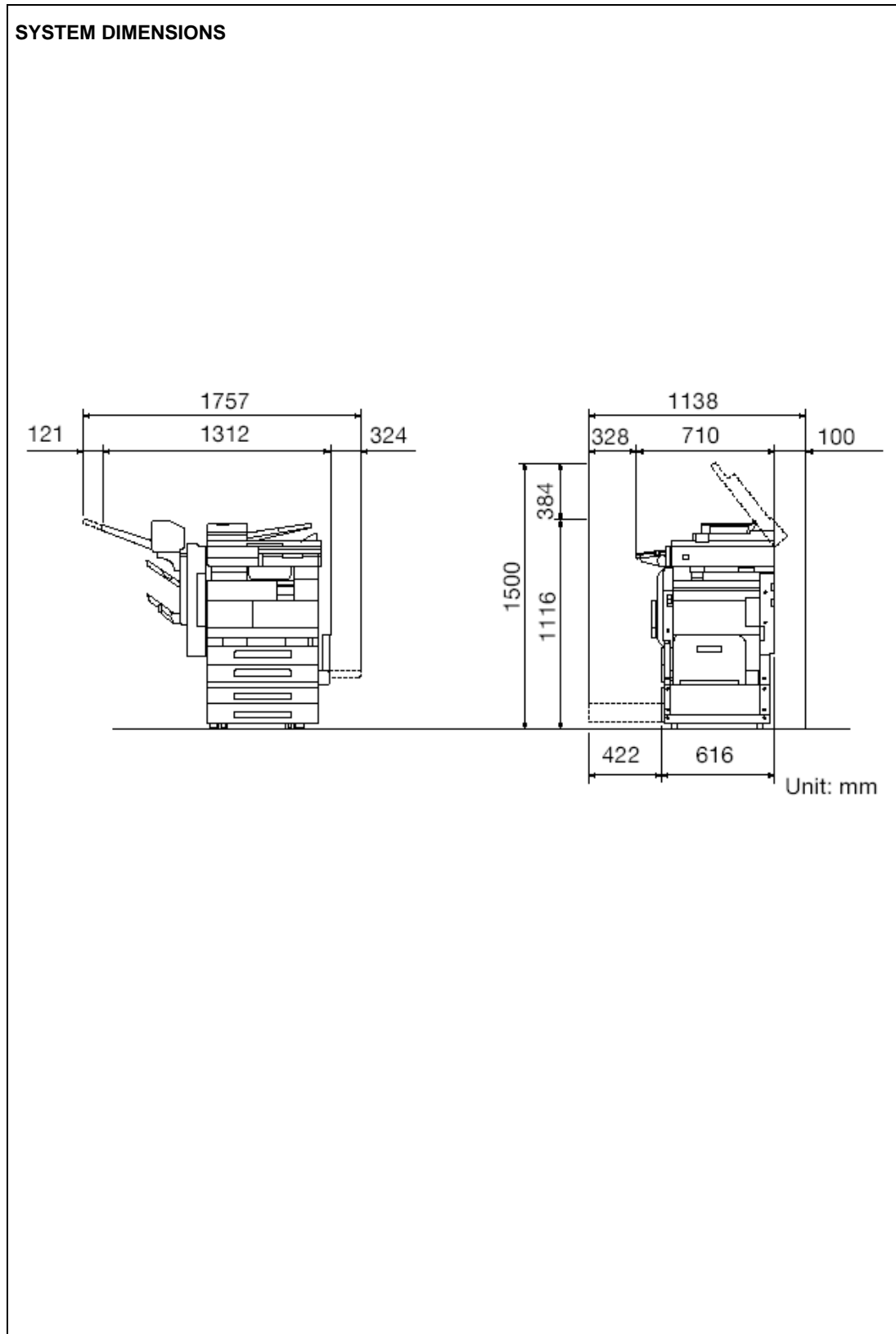


Product Basic

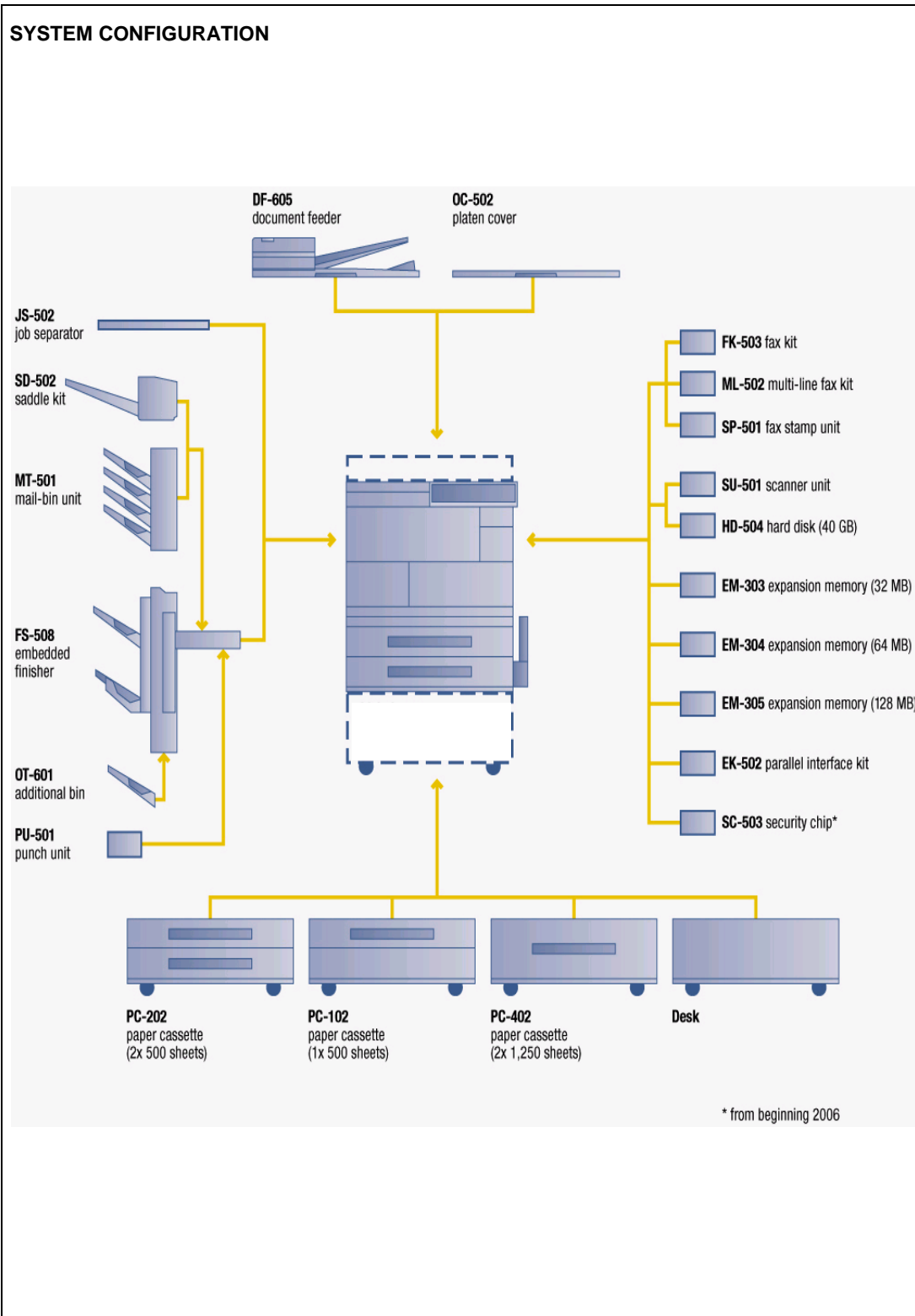
| | | | |
|--|---|--|------------------------|
| MODEL DEVELOPMENT CODE | Tigris 1 | Tigris 2 | Product Basic |
| PROPOSED MODEL NAME | bizhub 350 | bizhub 250 | Product Configuration |
| SUCCESSOR MODEL FOR | Di3510 / 3010 7228 / 7235 | Di2510 / 7222 | System Specifications |
| ESTIMATED SALES START | October 2005 | October 2005 | Copier Specifications |
| DATAQUEST SEGMENT | III | II | Printer Specifications |
| ALSO AVAILABLE AS | Develop ineo 350, Océ MP1035 | Develop ineo 250, Océ MP1025 | Scanner Specifications |
| TYPE | Desktop/Console depending on Configuration, Stationary Platen | | Fax Specifications |
| MAX. MONTHLY COPY VOLUME | 48 k | 28 k | Consumables |
| AVERAGE MONTHLY COPY VOLUME | 10 k | 7 k | Article Numbers |
| MACHINE LIFE | 1.2 Mio. or 5 years, what ever comes first | 800 k or 5 years, what ever comes first | Installation |
| MCBF Body (Mean Copies Between Failure) | N/A | N/A | Maintenance |
| MCBF System (Mean Copies Between Failure) | 70 k | 59 k | Spare Parts |
| MCBJ (Mean Copies Between Jam) | 10 k (system) | 10 k (system) | Recommended Media |
| MCBV (Mean Copies between Visit) | 37 k copies | 28 k copies | Appendix |
| MTTR (Mean Time To Repair) | CM: 30 min. or less PM: 20 min. or less | CM: 30 min. or less PM: 20 min. or less | |
| SAFETY & ENVIRONMENT | | | |
| English Data Sheets | InfoHub / Business Solutions / Safety and Environment | | |
| German Data Sheets | http://partner.konicaminolta.de | | |



Product Configuration



| |
|------------------------------|
| Product Basic |
| Product Configuration |
| System Specifications |
| Copier Specifications |
| Printer Specifications |
| Scanner Specifications |
| Fax Specifications |
| Consumables |
| Article Numbers |
| Installation |
| Maintenance |
| Spare Parts |
| Recommended Media |
| Appendix |



| |
|------------------------------|
| Product Basic |
| Product Configuration |
| System Specifications |
| Copier Specifications |
| Printer Specifications |
| Scanner Specifications |
| Fax Specifications |
| Consumables |
| Article Numbers |
| Installation |
| Maintenance |
| Spare Parts |
| Recommended Media |
| Appendix |



System Specifications

| | | | | | | | | | | | | | | | | |
|---------------------------------|---|---|---------------|-----------------------|------------------------------|-----------------------|------------------------|------------------------|--------------------|-------------|-----------------|--------------|-------------|-------------|-------------------|----------|
| DOCUMENT FEEDER (DF-605) | Option | <table border="1"> <tr><td>Product Basic</td></tr> <tr><td>Product Configuration</td></tr> <tr><td>System Specifications</td></tr> <tr><td>Copier Specifications</td></tr> <tr><td>Printer Specifications</td></tr> <tr><td>Scanner Specifications</td></tr> <tr><td>Fax Specifications</td></tr> <tr><td>Consumables</td></tr> <tr><td>Article Numbers</td></tr> <tr><td>Installation</td></tr> <tr><td>Maintenance</td></tr> <tr><td>Spare Parts</td></tr> <tr><td>Recommended Media</td></tr> <tr><td>Appendix</td></tr> </table> | Product Basic | Product Configuration | System Specifications | Copier Specifications | Printer Specifications | Scanner Specifications | Fax Specifications | Consumables | Article Numbers | Installation | Maintenance | Spare Parts | Recommended Media | Appendix |
| Product Basic | | | | | | | | | | | | | | | | |
| Product Configuration | | | | | | | | | | | | | | | | |
| System Specifications | | | | | | | | | | | | | | | | |
| Copier Specifications | | | | | | | | | | | | | | | | |
| Printer Specifications | | | | | | | | | | | | | | | | |
| Scanner Specifications | | | | | | | | | | | | | | | | |
| Fax Specifications | | | | | | | | | | | | | | | | |
| Consumables | | | | | | | | | | | | | | | | |
| Article Numbers | | | | | | | | | | | | | | | | |
| Installation | | | | | | | | | | | | | | | | |
| Maintenance | | | | | | | | | | | | | | | | |
| Spare Parts | | | | | | | | | | | | | | | | |
| Recommended Media | | | | | | | | | | | | | | | | |
| Appendix | | | | | | | | | | | | | | | | |
| Compatibility | bizhub 210, Di 2510, 3010, 3510 | | | | | | | | | | | | | | | |
| Article Number | 4344 - 712 | | | | | | | | | | | | | | | |
| Original Size | A5 – A3 | | | | | | | | | | | | | | | |
| Original Weight | Simplex: 35 ~ 128 g/m ² Duplex: 50 ~ 128g/m ² | | | | | | | | | | | | | | | |
| Tray Capacity | 80 originals (80 g/m ²) | | | | | | | | | | | | | | | |
| Feeding Type | Face up, upper sheet | | | | | | | | | | | | | | | |
| Feeding Speed | 41 opm/A4 size (600 x 600 dpi) | | | | | | | | | | | | | | | |
| Dimensions (WxDxH) mm | 582 x 558 x 145 | | | | | | | | | | | | | | | |
| Weight (kg) | 9,4 | | | | | | | | | | | | | | | |
| PAPER CASSETTES | | | | | | | | | | | | | | | | |
| Capacity | 2 x 500 sheets universal (80 g/m ²) | | | | | | | | | | | | | | | |
| Paper Format | A5 – A3 | | | | | | | | | | | | | | | |
| Paper Weight | 60 – 90 g/m ² | | | | | | | | | | | | | | | |
| Max. Paper Capacity | 1150 sheets standard, max. 3650 sheets | | | | | | | | | | | | | | | |
| PAPER CABINET PC-102 | Option | | | | | | | | | | | | | | | |
| Compatibility | bizhub C350 / C450 | | | | | | | | | | | | | | | |
| Article Number | 4061 – 112 | | | | | | | | | | | | | | | |
| Capacity | 500 sheets universal (80 g/m ²) | | | | | | | | | | | | | | | |
| Paper Format | A5 – A3 | | | | | | | | | | | | | | | |
| Paper Weight | 60 – 90 g/m ² | | | | | | | | | | | | | | | |
| Dimensions (WxDxH) (mm) | 570 x 548 x 263 | | | | | | | | | | | | | | | |
| Weight (kg) | 22 | | | | | | | | | | | | | | | |
| Remark | Due to engine design reason, the paper weight is restricted by 90 g/m ² although the cassette itself accepts 256 g/m ² for feeding. | | | | | | | | | | | | | | | |



| | | |
|--|---|---|
| <p>TWO WAY PAPER CABINET PC-202</p> <p>Compatibility bizhub C350 / C450</p> <p>Article Number 4061 – 212</p> <p>Capacity 2 x 500 sheets universal (80 g/m²)</p> <p>Paper Format A5 – A3</p> <p>Paper Weight 60 – 90 g/m²</p> <p>Dimensions (WxDxH) (mm) 570 x 548 x 263</p> <p>Weight (kg) 26</p> <p>Remark Due to engine design reason, the paper weight is restricted by 90 g/m² although the cassette itself accepts 256 g/m² for feeding.</p> | <p style="text-align: right;">Option</p> | <p>Product Basic</p> <p>Product Configuration</p> <p>System Specifications</p> <p>Copier Specifications</p> <p>Printer Specifications</p> <p>Scanner Specifications</p> <p>Fax Specifications</p> <p>Consumables</p> <p>Article Numbers</p> <p>Installation</p> <p>Maintenance</p> <p>Spare Parts</p> <p>Recommended Media</p> <p>Appendix</p> |
| <p>LARGE CAPACITY CABINET PC-402</p> <p>Compatibility bizhub C350 / C450</p> <p>Article Number 4061 – 312</p> <p>Capacity 2,500 sheets (80 g/m²)</p> <p>Paper Format A4 crosswise</p> <p>Paper Weight 60 – 90 g/m²</p> <p>Dimensions (WxDxH) (mm) 570 x 564 x 263</p> <p>Weight (kg) 26</p> <p>Remark Due to engine design reason, the paper weight is restricted by 90 g/m² although the cassette itself accepts 256 g/m² for feeding.</p> | <p style="text-align: right;">Option</p> | |
| <p>DUPLEX UNIT</p> <p>Compatibility No</p> <p>Article Number Standard</p> <p>Capacity one sheet duplex</p> | | |



| | | | |
|-----------------------------------|--|---|-----------------|
| DUPLEX UNIT cont. | Paper Format | A5 lengthwise – A3 | |
| | Paper Weight | 60 – 90 g/m ² | |
| BYPASS | Capacity | 150 sheets (80 g/m ²) | Standard |
| | Paper Format | A6 – A3 (min. 90 x 140 mm, max. 297 x 432 mm) with automatic size detection | |
| | Paper Weight | Up to 210 g/m ² | |
| | Copy Media | Envelopes (refer to recommended media), OHP, thick paper | |
| EMBEDDED FINISHER (FS-508) | Compatible | Di2510 / 3010 / 3510 | Option |
| | Article Number | 4349 – 712 | |
| | Finishing Modes | Non-sort, sort, group, staple | |
| | Tray Capacity | Upper tray: 200 sheets (A4 / 80 g/m ²) Lower tray: 1000 sheets (A4 / 80 g/m ²) | |
| | Stapling Modes | Corner stapling, two position stapling | |
| | Stapling Capacity | 50 sheets | |
| | Stapling Format | Corner(far side, near side), Parallel binding(far side, near side, 2 points) | |
| | Dimensions (WxDxH) (mm) | 319 x 558 x 573 | |
| | Weight (kg) | 21.4 | |
| | Remark | 1 staple cartridge MS – 5D is included | |
| | ADDITIONAL FINISHER TRAY (OT-601) | Compatible | |
| Article Number | | 4625 – 241 | |
| Bin Capacity | | 200 sheets | |
| Remark | | For more details in regard to the capacity refer to the chapter “Appendix” | |

| |
|------------------------------|
| Product Basic |
| Product Configuration |
| System Specifications |
| Copier Specifications |
| Printer Specifications |
| Scanner Specifications |
| Fax Specifications |
| Consumables |
| Article Numbers |
| Installation |
| Maintenance |
| Spare Parts |
| Recommended Media |
| Appendix |



| | | | |
|-------------------------------|----------------|------------|------------------------------|
| MAIL BIN TRAY (MT-501) | Option | | Product Basic |
| | Compatible | FN-117 | Product Configuration |
| | Article Number | 4510 – 612 | System Specifications |
| | Number of Bins | 4 | Copier Specifications |
| | | | Printer Specifications |
| | | | Scanner Specifications |
| | | | Fax Specifications |
| | | | Consumables |
| | | | Article Numbers |
| | | | Installation |
| | | | Maintenance |
| | | | Spare Parts |
| | | | Recommended Media |
| | | | Appendix |



| | | | |
|-------------------------------------|-------------------------|--|---|
| MAIL BIN TRAY (MT-501) cont. | Bin Capacity | 125 sheets each | Product Basic Product Configuration System Specifications Copier Specifications Printer Specifications Scanner Specifications Fax Specifications Consumables Article Numbers Installation Maintenance Spare Parts Recommended Media Appendix |
| | Dimensions (WxDxH) (mm) | 624 x 503 x 390 | |
| | Weight (kg) | 8 | |
| | Remarks | Either Mail Bin Tray or Saddle Stitch Unit can be installed to FS-508 | |
| | | | |
| SADDLE STITCH UNIT (SD-502) | | | Option |
| | Compatible | FN-117 | |
| | Article Number | 4511 – 811 | |
| | Folding | Crease fold | |
| | Paper Size | A4 lengthwise / A3 | |
| | Paper Weight | 60 – 90 g/m ² | |
| | Tray Capacity | 200 sheets or 20 sets | |
| | Stapling Modes | Centre parallel 2 points | |
| | Stapling Capacity | 2 – 15 sheets | |
| | Dimensions (WxDxH) (mm) | Inside the transport section: 48 x 399 x 146 Staple Unit and Output Tray: 576 x 281 x 478 | |
| | Weight (kg) | 9.3 (inner and outer part together) | |
| | Remark | 1 staple cartridge MS – 2C is included in the kit Either Saddle Stitch Unit or Mail Bin Tray can be installed to FS-508 | |
| PUNCH UNIT (PU-501) | | | Option |
| | Compatible | No | |
| | Article Number | 4512 – 814 (European Version) 4512 – 817 (Swedish Version) | |
| | Number of Holes | 4 | |
| | Paper Size | A4 – A3 | |
| | Paper Weight | 60 – 160 g/m ² | |
| | Dimensions (WxDxH) (mm) | 114 x 461 x 136 | |
| | Weight (kg) | 1.9 | |



| | | | |
|--------------------------------|-------------------------|---|------------------------------|
| JOB SEPARATOR (JS-502) | | Option | Product Basic |
| | Compatible | Di2510 / 3010 / 3510 | Product Configuration |
| | Article Number | 4347 - 711 | System Specifications |
| | Number of Trays | 2 | Copier Specifications |
| | Tray Capacity | Tray 1: 250 sheets (60 – 90 g/m ²), 20 sh. (90 – 210 g/m ²) Tray 2: 100 sheets (60 – 90 g/m ²) | Printer Specifications |
| | Paper Size | Tray 1: A6 lengthwise – A3 Tray 2: A5 – A3 | Scanner Specifications |
| | Paper Weight | Tray 1: 60 – 210 g/m ² Tray 2: 60 – 90 g/m ² | Fax Specifications |
| | Dimensions (WxDxH) (mm) | 450 x 443 x 75 | Consumables |
| | Weight (kg) | 1.7 | Article Numbers |
| ORIGINAL COVER (OC-502) | | Option | Installation |
| | Compatible | Di2510 / 3010 / 3510 | Maintenance |
| | Article Number | 4599 – 225 | Spare Parts |
| KEY COUNTER KIT 4 | | Option | Recommended Media |
| | Compatible | Di2510 / 3010 / 3510, 7222 / 7228 / 7235 | Appendix |
| | Article Number | 4599 – 211 | Recommended Media |
| | Remark | Mount board and cover only. The key counter needs to be ordered as a spare part. | Appendix |
| COPY DESK | | Option | |
| | Compatible | Di2510 / 3510 / 3510, bizhub C350 / C351/ C450 | |
| | Article Number | 9960 – 6700 - 00 | |
| FAX KIT (FK-503) | | | |
| | Compatible | No | |
| | Article Number | 4551 - 612 | |
| | Remarks | FK-503 includes SU-501 | |



| | | | |
|--|---|---------------|------------------------------|
| MULTI-LINE FAX KIT (ML-502) | | Option | Product Basic |
| Compatible | No | | Product Configuration |
| Article Number | 4551 - 622 | | System Specifications |
| Remarks | | | Copier Specifications |
| STAMP UNIT FAX (SP-501) | | Option | Printer Specifications |
| Compatible | AFR-19 | | Scanner Specifications |
| Article Number | 4614 – 501 | | Fax Specifications |
| REPLACEMENT STAMP for SP-501 | | Option | Consumables |
| Compatible | AFR-19 | | Article Numbers |
| Article Number | 4614 – 511 | | Installation |
| SCANNER UNIT (SU-501) | | Option | Maintenance |
| Compatible | No | | Spare Parts |
| Article Number | 4551 - 631 | | Recommended Media |
| Remark | SU-501 together with FK-503 extends the functionality to Network Fax. SU-501 w/o FK-503 adds IP-scanning. Note: SU-501 is not required for scan to SMB, scan to eMail and scan to FTP | | Appendix |
| DATA DRIVE (HD-504) | | Option | |
| Compatible | No | | |
| Article Number | 4599 – 461 | | |
| Memory Capacity | 40 GB | | |
| Remark | File memory, overlay functions, multi-jobs, PDL spooling print to HDD, Scan to HDD, etc. please refer to “Appendix” | | |
| 32 MB EXTENSION MEMORY (EM-303) | | Option | |
| Compatible | No | | |
| Article Number | 4551 – 641 | | |
| Remark | Customized memory. It is shared for both, copier and printer. | | |



| | | | | |
|---|----------------|---|---------------|------------------------------|
| 64 MB EXTENSION MEMORY (EM-304) | Compatible | No | Option | Product Basic |
| | Article Number | 4551 - 651 | | Product Configuration |
| | Remark | Customized memory. It is shared for both, copier and printer. | | System Specifications |
| 128 MB EXTENSION MEMORY (EM-305) | Compatible | No | Option | Copier Specifications |
| | Article Number | 4551 - 661 | | Printer Specifications |
| | Remark | Customized memory. It is shared for both, copier and printer. | | Scanner Specifications |
| PARALLEL INTERFACE KIT (EK-502) | Compatible | No | Option | Fax Specifications |
| | Article Number | 4599 - 481 | | Consumables |
| | Remark | For printing only, not for scanning. | | Article Numbers |
| SECURITY CHIP (SC-503) | Compatible | bizhub C450 | Option | Maintenance |
| | Article Number | 4599 - 441 | | Spare Parts |
| | Remark | For memory data encryption | | Recommended Media |
| MOUNT KIT (MK-709) | Compatible | No | Option | Appendix |
| | Article Number | 9J05121 | | |
| | Remark | Data terminal board for CSRC | | |



Copier Specifications

| | bizhub 350 | bizhub 250 | Product Basic |
|---|---|---|------------------------------|
| WARM-UP TIME | Main Power ON | Standard configuration: 24 sec. or less With Fax Kit FK-503: 26 sec. or less | Product Configuration |
| | Sub Power ON | Always 14 sec. or less | System Specifications |
| | Sleep Mode | Always 14 sec. or less | Copier Specifications |
| FIRST COPY | Less than 4.8 sec. | Less than 5.3 sec. | Printer Specifications |
| COPY SPEED | 35 cpm A4 crosswise | 25 cpm A4 crosswise | Scanner Specifications |
| | 27 cpm A4 lengthwise | 19 cpm A4 lengthwise | Fax Specifications |
| | 23 cpm B4 | 17 cpm B4 | Consumables |
| | 20 cpm A3 | 14 cpm A3 | Article Numbers |
| COPY RESOLUTION | 600 x 600 dpi | | Installation |
| COPY TANDEM FUNCTIONALITY | No | | Spare Parts |
| COPY RAM | 192 MB standard (32 MB out of 192 MB is for files) corresponding to 170 sheets (No. 4 chart) | | Maintenance |
| | 32 MB, 64 MB, 128 MB as extended memory as option | | Recommended Media |
| ZOOM | 25 % - 400 % adjustable in 0.1 % steps | | Appendix |
| MULTI COPY | 1 – 999 | | |
| EXPOSURE CONTROL | Auto/Manual, Character, Photo, Photo/Character | | |
| VOID AREA | | | |
| | Single Sided Copies | 4 mm all edges | |
| INNER OUTPUT TRAY CAPACITY | 250 sheets | | |
| POWER REQUIREMENT | 220 – 240 V : 6.1 A + 10 % 50 Hz | | |
| POWER CONSUMPTION | 1.300 – 1.470 W | | |
| COPIER DIMENSIONS (W x D x H) mm | 677 x 710 x 718 | | |
| COPIER WEIGHT (kg) | 74 kg | | |



| | bizhub 350 | bizhub 250 | Product Basic |
|----------------------------|---|------------|------------------------------|
| FEATURE LIST | | | Product Configuration |
| 2in1/4in1/8in1 | Yes/Yes/Yes (8 in 1 : Double Sided 4 in 1) | | System Specifications |
| AMS/APS | Yes / Yes | | Copier Specifications |
| 2 in 1 Original Separation | Yes | | Printer Specifications |
| N in 1 | Yes, up to 4 in 1 | | Scanner Specifications |
| Book Copy | Yes | | Fax Specifications |
| Booklet Creation | Yes, but combination with Cover Mode not possible | | Consumables |
| Page Insertion | Yes | | Article Numbers |
| Continuous Number Stamping | No | | Installation |
| Cover Mode | Yes | | Maintenance |
| Date Stamp | No | | Spare Parts |
| Page Stamp | No | | Recommended Media |
| Distribution Numbering | Yes | | Appendix |
| Watermark | Yes, also w/o HDD | | |
| Image Stamp | Yes, with HDD | | |
| Department Control | Yes | | |
| Edge / Frame Erase | Yes / Yes | | |
| Image Insertion | No | | |
| Image Repeat | Yes | | |
| Image Shift | No | | |
| Image Rotation | Yes, criss/cross possible | | |
| Job / Memory Recall | Yes | | |
| Non-Image Area Erase | No | | |
| OHP Interleaving | Yes | | |



| | bizhub 350 | bizhub 250 | Product Basic |
|---------------------------|------------|------------|------------------------------|
| FEATURE LIST cont. | | | Product Configuration |
| Positive-Negative-Mode | Yes | | System Specifications |
| X/Y Independent Zoom | Yes | | Copier Specifications |
| Program Memory | Yes (10) | | Printer Specifications |
| Proof Copy | Yes | | Scanner Specifications |
| Separate Scanning | Yes | | Fax Specifications |
| | | | Consumables |
| | | | Article Numbers |
| | | | Installation |
| | | | Maintenance |
| | | | Spare Parts |
| | | | Recommended Media |
| | | | Appendix |



Printer Specifications

| | | |
|-----------------------------------|---|-------------------------------|
| TYPE / Version | Embedded Emperon Controller / Version 3.15 | Product Basic |
| CPU | 64Bit MIPS RISC CPU RM5231 [@300MHz] | Product Configuration |
| PRINT SPEED | 25 / 35 ppm A4 (crosswise) 14 / 20 ppm/A3 | System Specifications |
| TANDEM PRINT FUNCTIONALITY | No | Copier Specifications |
| PRINT RESOLUTION | 600 x 600dpi | Printer Specifications |
| MAX PRINTABLE AREA | 297mm x 420mm minus 4.0 mm on all edges (PCL) | Scanner Specifications |
| PDL | PCL6 (XL ver. 2.1) PostScript 3 emulation (3011.xx.xx) | Fax Specifications |
| PRINT RAM | 192 MB standard (32 MB out of 192 MB is for files) corresponding to 170 sheets (No. 4 chart), max. 320 MB | Consumables |
| PRINT HDD | 40 GB (option) for common use, copy, print, scan (HDD required for copy multiple job) | Article Numbers |
| FONTS | PCL: 80 fonts PS: 136 fonts | Installation |
| INTERFACE | Parallel Yes (IEEE1284), optional USB Yes 1.1 / 2.0 standard (full speed) 10BaseT / 100BaseTX Yes, standard | Maintenance |
| PROTOCOLS | Nibble/ECP Yes/Yes EtherTalk Yes IPX/SPX Yes TCP/IP Yes SNMP Yes SMTP/POP3 Yes HTTP Yes (3.0) | Spare Parts |
| | | Recommended Media |
| | | Appendix |



| | | | | | | | | | | | | | | | | | |
|-------------------------------|--------------------------|--|---|---------------|-----------------------|-----------------------|-----------------------|-------------------------------|------------------------|--------------------|-------------|-----------------|--------------|-------------|-------------|-------------------|----------|
| PROTOCOLS | Netware | Yes (4.x, 5, 6) | <table border="1"> <tr><td>Product Basic</td></tr> <tr><td>Product Configuration</td></tr> <tr><td>System Specifications</td></tr> <tr><td>Copier Specifications</td></tr> <tr><td>Printer Specifications</td></tr> <tr><td>Scanner Specifications</td></tr> <tr><td>Fax Specifications</td></tr> <tr><td>Consumables</td></tr> <tr><td>Article Numbers</td></tr> <tr><td>Installation</td></tr> <tr><td>Maintenance</td></tr> <tr><td>Spare Parts</td></tr> <tr><td>Recommended Media</td></tr> <tr><td>Appendix</td></tr> </table> | Product Basic | Product Configuration | System Specifications | Copier Specifications | Printer Specifications | Scanner Specifications | Fax Specifications | Consumables | Article Numbers | Installation | Maintenance | Spare Parts | Recommended Media | Appendix |
| | Product Basic | | | | | | | | | | | | | | | | |
| | Product Configuration | | | | | | | | | | | | | | | | |
| | System Specifications | | | | | | | | | | | | | | | | |
| | Copier Specifications | | | | | | | | | | | | | | | | |
| Printer Specifications | | | | | | | | | | | | | | | | | |
| Scanner Specifications | | | | | | | | | | | | | | | | | |
| Fax Specifications | | | | | | | | | | | | | | | | | |
| Consumables | | | | | | | | | | | | | | | | | |
| Article Numbers | | | | | | | | | | | | | | | | | |
| Installation | | | | | | | | | | | | | | | | | |
| Maintenance | | | | | | | | | | | | | | | | | |
| Spare Parts | | | | | | | | | | | | | | | | | |
| Recommended Media | | | | | | | | | | | | | | | | | |
| Appendix | | | | | | | | | | | | | | | | | |
| NDPS | Yes | | | | | | | | | | | | | | | | |
| lpd | Yes | | | | | | | | | | | | | | | | |
| IPP | Yes (v1.1) | | | | | | | | | | | | | | | | |
| Apple Talk | Yes | | | | | | | | | | | | | | | | |
| PRINTER DRIVER | Windows 95 | No | | | | | | | | | | | | | | | |
| | Windows 98 | Yes, 98SE is available | | | | | | | | | | | | | | | |
| | Windows Me | Yes | | | | | | | | | | | | | | | |
| | Windows NT | Yes, 4.0.SP6 | | | | | | | | | | | | | | | |
| | Windows 2000 | Yes, for both PCL6, PS(native). | | | | | | | | | | | | | | | |
| | Windows XP | Yes, for both PCL6, PS(native). | | | | | | | | | | | | | | | |
| | Windows 2003 Server | Yes | | | | | | | | | | | | | | | |
| | Mac OS System 9.2/10.2 | Yes | | | | | | | | | | | | | | | |
| | UNIX / Linux | Yes (with UNIX/Linux filter) | | | | | | | | | | | | | | | |
| UTILITIES | PageScope Net Care | Yes in PageScope CD, v 5.22.023 (EFGIS, NL, DK, CZ). | | | | | | | | | | | | | | | |
| | PageScope Cabinet | Yes (EFGIS), Version 2.0.4 | | | | | | | | | | | | | | | |
| | PageScope Web Connection | Yes (embedded in engine : EFGIS, NL, DK, CZ) | | | | | | | | | | | | | | | |
| | PageScope Network Setup | Yes (EFGIS), Version 3.1.2 | | | | | | | | | | | | | | | |
| | PageScope NDPS Gateway | Yes (EFGIS), Version 2.7.1 | | | | | | | | | | | | | | | |
| | PageScope EMS Plug-ins | Yes (English) | | | | | | | | | | | | | | | |
| | PDF Direct Print | No – <i>Note: PDF direct print will not be supported</i> | | | | | | | | | | | | | | | |



| FEATURE LIST | | Product Basic |
|---|--|-------------------------------|
| Booklet Creation | Yes | Product Configuration |
| Chapter Insertion | No | System Specifications |
| Continuous Number Stamping | Yes | Copier Specifications |
| Cover Mode | Yes (Cover page, Back page) | Printer Specifications |
| Date Stamp | No | Scanner Specifications |
| Distribution Numbering | Yes | Fax Specifications |
| Edge / Frame Erase | Yes (left, upper, frame) | Consumables |
| Image Insertion | No | Article Numbers |
| Image Repeat | Yes | Installation |
| Image Shift | No | Maintenance |
| Image Rotation | Yes (not available in APS/AMS mode) | Spare Parts |
| Job Accounting | Yes | Recommended Media |
| Non-Image Area Erase | Yes (if it is about erasing centre part in book copying) | Appendix |
| OHP Interleaving | Yes | |
| Overlay | Yes | |
| Page Insertion | Yes | |
| Page Stamp | No | |
| Test Print (Proof Print) | Yes | |
| Stamp | No | |
| Watermark | Yes | |
| N-up/Fit to Paper/Scaling | Yes(up to 16-up) / Yes / Yes. | |
| Lock Job | Yes | |
| Job Life (proof & print, store to Memory / HDD) | Yes (PCL, PS) | |
| Two-way communication (automatic configuration in driver) | Yes | |



| | | | | | | | | | | | | | | | | |
|-------------------------------------|--|---|---------------|-----------------------|-----------------------|-----------------------|-------------------------------|------------------------|--------------------|-------------|-----------------|--------------|-------------|-------------|-------------------|----------|
| FEATURE LIST cont. | | <table border="1"> <tr><td>Product Basic</td></tr> <tr><td>Product Configuration</td></tr> <tr><td>System Specifications</td></tr> <tr><td>Copier Specifications</td></tr> <tr><td>Printer Specifications</td></tr> <tr><td>Scanner Specifications</td></tr> <tr><td>Fax Specifications</td></tr> <tr><td>Consumables</td></tr> <tr><td>Article Numbers</td></tr> <tr><td>Installation</td></tr> <tr><td>Maintenance</td></tr> <tr><td>Spare Parts</td></tr> <tr><td>Recommended Media</td></tr> <tr><td>Appendix</td></tr> </table> | Product Basic | Product Configuration | System Specifications | Copier Specifications | Printer Specifications | Scanner Specifications | Fax Specifications | Consumables | Article Numbers | Installation | Maintenance | Spare Parts | Recommended Media | Appendix |
| Product Basic | | | | | | | | | | | | | | | | |
| Product Configuration | | | | | | | | | | | | | | | | |
| System Specifications | | | | | | | | | | | | | | | | |
| Copier Specifications | | | | | | | | | | | | | | | | |
| Printer Specifications | | | | | | | | | | | | | | | | |
| Scanner Specifications | | | | | | | | | | | | | | | | |
| Fax Specifications | | | | | | | | | | | | | | | | |
| Consumables | | | | | | | | | | | | | | | | |
| Article Numbers | | | | | | | | | | | | | | | | |
| Installation | | | | | | | | | | | | | | | | |
| Maintenance | | | | | | | | | | | | | | | | |
| Spare Parts | | | | | | | | | | | | | | | | |
| Recommended Media | | | | | | | | | | | | | | | | |
| Appendix | | | | | | | | | | | | | | | | |
| Transmit Once Print Many | Yes. | | | | | | | | | | | | | | | |
| RIP Once Print Many | Yes. | | | | | | | | | | | | | | | |
| All Raster / Download as bitmap | Yes. | | | | | | | | | | | | | | | |
| Output bin | Either the upper tray or bottom tray can be specified on OP as dedicated tray for printing. With Mail bin option, Mail bin 1-4 can be specified on printer driver. | | | | | | | | | | | | | | | |
| WHQL | Yes for both PCL6 and PS printer drivers. For Win2000 and XP | | | | | | | | | | | | | | | |
| FINISHING | | | | | | | | | | | | | | | | |
| Sorting | Yes | | | | | | | | | | | | | | | |
| Stapling | Yes | | | | | | | | | | | | | | | |
| Punching | Yes | | | | | | | | | | | | | | | |
| Folding | Yes | | | | | | | | | | | | | | | |
| Cover Insertion (via Post Inserter) | No | | | | | | | | | | | | | | | |
| Trimming | No | | | | | | | | | | | | | | | |



Scanner Specifications

| | | | |
|--|--|--|-------------------------------|
| SCAN FUNCTIONS | | | Product Basic |
| Twain Scan (HDD) | Yes (200 x 200, 400 x 400, 600 x 600 dpi) – HD-504 is required ! | | Product Configuration |
| Scan to FTP | Yes | | System Specifications |
| Scan to HDD (Scan to Mailbox) | Yes (with HD-504) | | Copier Specifications |
| Scan to eMail | Yes | | Printer Specifications |
| Scan to SMB | Yes | | Scanner Specifications |
| Scan to URL | Yes (for Scan to FTP, Scan to SMB and Scan to HDD) | | Fax Specifications |
| Scan to iFAX | Yes (HD-504 is not required) | | Consumables |
| Scan to IP Scanner (Direct send to PC) | Yes with SU-501 | | Article Numbers |
| SCAN BASICS | | | Installation |
| Scan Speed (with EDH) | 70 scans per minute with 200 x 200 dpi or 41 scans per minute with 600 x 600 dpi for both models with DF-605 | | Maintenance |
| Paper Size | A5 – A3 | | Spare Parts |
| Colour Scanning Capability | No | | Recommended Media |
| Separate Scan Counter | Yes (TTL Scan counter) | | Appendix |
| Scan Format | TIFF (Single Page/ Multitpage), PDF | | |
| Coding (Compression) | MH, MR, MMR | | |
| NETWORK TWAIN | | | |
| Client OS | Win98/Me/NT4.0/2000/XP | | |
| SCAN TO EMAIL | | | |
| Protocol | SMTP | | |
| Resolution | 200x200, 400x400, 600x600 dpi. | | |
| Max. destinations | 540 (one touch dial in total) | | |
| Image division | Yes (Off / On by Page or Size) | | |



| | | | | |
|---|--|---|-------------------------------|------------------------------|
| SCAN TO FTP | Protocol | FTP | Product Basic | |
| | Resolution | 200x200, 400x400, 600x600 dpi. | | Product Configuration |
| | Max. destinations | Scan to FTP: 540 (one touch dial in total) | | System Specifications |
| SCAN TO HDD (Mailbox) | | (HD-504 is necessary) | Copier Specifications | |
| | Resolution | 200x200 (default), 400x400, 600x600 dpi. | Printer Specifications | |
| | Max. Mailbox (Scan to HDD) | 540 (one touch dial in total) | Scanner Specifications | |
| | Password protection | Yes (except Public mailbox). | Fax Specifications | |
| | Notes | HDD Twain and Scan Direct from Phase 2 | Consumables | |
| SCAN TO IP SCANNER (Direct Scan) | | (Only with SU-501 : SU-501 includes IP Scanner utility) | Article Numbers | |
| | Resolution | 400x400, 600x600 only. | Installation | |
| | Max. destinations | 6 client PCs from "Extra Scan" button on Operation Panel (need to install IP Scanner utility) | Maintenance | |
| SCAN TO iFAX (e-mail / LAN-FAX) | Protocol | e-mail : SMTP, POP3 ; LAN-FAX : TCP/IP | Spare Parts | |
| | Paper Size | E-mail : Only A4, B4, A3 (depends on the ability of receiver) ; LAN-FAX : Same with FAX | Recommended Media | |
| | Resolution | 200 x 100, 200 x 200, 400 x 400, 600 x 600 dpi (e-mail : depends on the ability of receiver) | Appendix | |
| ENHANCED FEATURES | LDAP | Yes | | |
| | User Authentication | Yes (by application such as copy, print, I-fax, scan, box but not by person, which means only at function level but not at user level) | | |
| UTILITIES | PageScope Workware | Yes trial version, but customer has to buy license for full support | | |
| | IP Scanner (Utility for Direct Scan to PC) | Yes with SU-501 (English only for bizhub 250 / 350. Di2510 / 3010 / 3510 version in German and French can also be used ifor bizhub 250 / 350) It'll be in the CD of SU-501. | | |
| | Network FAX (PC FAX utility) | Yes with SU-501 (same as for IP Scanner)). | | |
| | PageScope Data Administrator | Yes | | |



Fax Specifications

| | | |
|------------------------------------|--|---------------------------|
| GENERAL DATA | | Product Basic |
| Min Transmission Time (seconds) | < 3 Sec. ITU-T V.34, JBIG (ITU No. 1) | Product Configuration |
| Max. Modem Speed / Compatibility | 33,6 kbps / ECM, G3 | System Specifications |
| Coding / Error Correction (ECM) | MH, MR, MMR, JBIG / ECM | Copier Specifications |
| Document Memory, Byte (max pages) | 32 MByte, 1400Pages (ITU No 1) | Printer Specifications |
| Memory Battery Buffered | 12 hours | Scanner Specifications |
| Dual Access (2ch) | Yes | Fax Specifications |
| Dual Line | Yes – with ML-502 option | Consumables |
| Remote Installation/Diagnostic | No / Yes with CS Remote Care | Article Numbers |
| Display/ Error Indicator | Graphic Touch Panel(LCD) / LED on ADF (Green or Red) | Installation |
| DIALING | | Maintenance |
| Max. Numbers Stored | 540 (as One Touch Keys) | Spare Parts |
| Max. Phone Digits | Not confirmed yet | Recommended Media |
| Program Keys | 540 is Common among Program Keys, One-Touch keys. | Appendix |
| Group Setting (max.) | Program keys can be used as alternative. | |
| Tone/Pulse Select | Yes. | |
| PSTN-access by No/Earth Key/Flash | No | |
| Sub addressing | Yes | |
| Auto Redial/Last Number Redial | Yes / No | |
| Electronic Telephone Book Function | Yes | |
| Monitor Speaker | Yes. | |



| | | |
|---------------------------------------|--|---------------------------|
| TRANSMISSION/INPUT | | Product Basic |
| Transmission Resolution | STD, F, SF (to compatible machines) | Product Configuration |
| Effective Scanning Width | A3/B4/A4 : 294/254/208 (mm) | System Specifications |
| Max. Size FBS (W x L) | 297 x 1,000 mm (Simplex, EDH) | Copier Specifications |
| Halftones/l/T Separation | 256 steps (error diffusion), | Printer Specifications |
| Number of Timers | 200 | Scanner Specifications |
| Storable TX Jobs | 200 | Fax Specifications |
| ADF/Memory Transmission | YES | Consumables |
| Book Scanner Transmission | YES | Article Numbers |
| Header Line | YES | Installation |
| Stamp Function | Yes | Maintenance |
| Department Management | YES | Spare Parts |
| Authorised Transmission (by PIN code) | YES | Recommended Media |
| Closed Network/ Protected TX | No/Yes | Appendix |
| Quick Memory Transmission | Yes with EDH (one-sided original only) | |
| Batch Transmission | Yes | |
| Priority Transmission | Yes. | |
| 2-to-1 Transmission | Yes with EDH. | |
| 2-Sided Transmission | Yes with EDH. | |
| Mailbox Transmission Command | Yes | |
| Cover Page Function | Yes (Cover page insertion) | |
| Max. Broadcasting Locations | 300 destinations (incl. 12 Full numbers) | |
| Relay Broadcasting | Yes | |
| Relay Broadcast Command | No | |



| | | | |
|-------------------------|-----------------------------------|---|---------------------------|
| RECEIVING/OUTPUT | Receiving Resolution | STD, F, SF (to compatible machines) | Product Basic |
| | Effective Print Width (fax mode) | A3/B4/A4 : 287/247/200 (mm) | Product Configuration |
| | Smoothing | Yes. | System Specifications |
| | Auto/Manual Reception | Yes/Yes | Copier Specifications |
| | Storable RX Jobs | More than 1400 pages(32MB) | Printer Specifications |
| | Reduction in Fax Mode | Yes | Scanner Specifications |
| | Paper source selection | Yes | Fax Specifications |
| | Receiving/Output Tray Selection | Yes (dedicated output tray can be specified on OP). | Consumables |
| | Memory Receiving | Yes | Article Numbers |
| | Footer Print | No. | Installation |
| | Closed Network RX/ Protected RX | No/Yes | Maintenance |
| | 2 to 1 Receiving | Yes | Spare Parts |
| | Duplex Reception | No | Recommended Media |
| | RX-Memory Print by Password | Yes | Appendix |
| | Forward Function | Yes | |
| | Mailbox Receiving (ITU-T) | Yes | |
| | Max. Polling Locations | 200 | |
| | Selective/Protected Polling | Yes / Yes | |
| | Memory Polling (Database Polling) | Yes | |



| | | | |
|--------------------------|----------------------------------|---------------------|---------------------------|
| REPORTS AND LISTS | Telephone List | Yes | Product Basic |
| | Key Setting List | Yes | Product Configuration |
| | Transmission Report | Yes. | System Specifications |
| | Reception Result Report | Yes | Copier Specifications |
| | Reservation Report | Yes | Printer Specifications |
| | Relay Broadcast Report | No | Scanner Specifications |
| | Error Report | Yes (Non TX Report) | Fax Specifications |
| | Machine Status List | Yes | Consumables |
| | Journal (max. 50 communications) | Yes | Article Numbers |
| | Consumable Order Report | No | Installation |
| | Memory Data List/Print | Yes | Maintenance |
| | Power/Backup-RAM Error Report | Yes | Spare Parts |
| | User/Department Management List | Yes | Recommended Media |
| | | | Appendix |

Note: Specification may vary due to national PTT regulations



Consumables

| | | | | | | | | | | | | | | | | | |
|-------------------------|------------------------|----------------------|--|---------------|-----------------------|-----------------------|-----------------------|------------------------|------------------------|--------------------|--------------------|-----------------|--------------|-------------|-------------|-------------------|----------|
| TONER bizhub 350 | Compatibility | No | <table border="1"> <tbody> <tr><td>Product Basic</td></tr> <tr><td>Product Configuration</td></tr> <tr><td>System Specifications</td></tr> <tr><td>Copier Specifications</td></tr> <tr><td>Printer Specifications</td></tr> <tr><td>Scanner Specifications</td></tr> <tr><td>Fax Specifications</td></tr> <tr><td>Consumables</td></tr> <tr><td>Article Numbers</td></tr> <tr><td>Installation</td></tr> <tr><td>Maintenance</td></tr> <tr><td>Spare Parts</td></tr> <tr><td>Recommended Media</td></tr> <tr><td>Appendix</td></tr> </tbody> </table> | Product Basic | Product Configuration | System Specifications | Copier Specifications | Printer Specifications | Scanner Specifications | Fax Specifications | Consumables | Article Numbers | Installation | Maintenance | Spare Parts | Recommended Media | Appendix |
| | Product Basic | | | | | | | | | | | | | | | | |
| | Product Configuration | | | | | | | | | | | | | | | | |
| | System Specifications | | | | | | | | | | | | | | | | |
| | Copier Specifications | | | | | | | | | | | | | | | | |
| | Printer Specifications | | | | | | | | | | | | | | | | |
| | Scanner Specifications | | | | | | | | | | | | | | | | |
| | Fax Specifications | | | | | | | | | | | | | | | | |
| Consumables | | | | | | | | | | | | | | | | | |
| Article Numbers | | | | | | | | | | | | | | | | | |
| Installation | | | | | | | | | | | | | | | | | |
| Maintenance | | | | | | | | | | | | | | | | | |
| Spare Parts | | | | | | | | | | | | | | | | | |
| Recommended Media | | | | | | | | | | | | | | | | | |
| Appendix | | | | | | | | | | | | | | | | | |
| Article-No. | 8938 – 404 | | | | | | | | | | | | | | | | |
| Name | TN311 | | | | | | | | | | | | | | | | |
| Concept | Cartridge system | | | | | | | | | | | | | | | | |
| Weight | 360 g | | | | | | | | | | | | | | | | |
| Yield | 17.5 k (6% coverage) | | | | | | | | | | | | | | | | |
| Units per carton | 1 cartridge | | | | | | | | | | | | | | | | |
| TONER bizhub 250 | Compatibility | No | | | | | | | | | | | | | | | |
| | Article-No. | 8938 – 415 | | | | | | | | | | | | | | | |
| | Name | TN211 | | | | | | | | | | | | | | | |
| | Concept | Cartridge system | | | | | | | | | | | | | | | |
| | Weight | 360 g | | | | | | | | | | | | | | | |
| | Yield | 17.5 k (6% coverage) | | | | | | | | | | | | | | | |
| | Units per carton | 1 cartridge | | | | | | | | | | | | | | | |
| | DEVELOPER | Compatibility | No | | | | | | | | | | | | | | |
| Article-No. | | 8938 – 451 | | | | | | | | | | | | | | | |
| Name | | DV310 | | | | | | | | | | | | | | | |
| Weight | | 300 g | | | | | | | | | | | | | | | |
| Yield | | 100 k / 80 k | | | | | | | | | | | | | | | |
| Units per carton | | 12 units per carton | | | | | | | | | | | | | | | |



| | | | | | | | | | | | | | | | | | |
|-------------------------------------|--|------------------------------------|---|---------------|-----------------------|-----------------------|-----------------------|------------------------|------------------------|--------------------|--------------------|-----------------|--------------|-------------|-------------|-------------------|----------|
| PC-DRUM | Compatibility | NO | <table border="1"> <tr><td>Product Basic</td></tr> <tr><td>Product Configuration</td></tr> <tr><td>System Specifications</td></tr> <tr><td>Copier Specifications</td></tr> <tr><td>Printer Specifications</td></tr> <tr><td>Scanner Specifications</td></tr> <tr><td>Fax Specifications</td></tr> <tr><td>Consumables</td></tr> <tr><td>Article Numbers</td></tr> <tr><td>Installation</td></tr> <tr><td>Maintenance</td></tr> <tr><td>Spare Parts</td></tr> <tr><td>Recommended Media</td></tr> <tr><td>Appendix</td></tr> </table> | Product Basic | Product Configuration | System Specifications | Copier Specifications | Printer Specifications | Scanner Specifications | Fax Specifications | Consumables | Article Numbers | Installation | Maintenance | Spare Parts | Recommended Media | Appendix |
| | Product Basic | | | | | | | | | | | | | | | | |
| | Product Configuration | | | | | | | | | | | | | | | | |
| | System Specifications | | | | | | | | | | | | | | | | |
| | Copier Specifications | | | | | | | | | | | | | | | | |
| Printer Specifications | | | | | | | | | | | | | | | | | |
| Scanner Specifications | | | | | | | | | | | | | | | | | |
| Fax Specifications | | | | | | | | | | | | | | | | | |
| Consumables | | | | | | | | | | | | | | | | | |
| Article Numbers | | | | | | | | | | | | | | | | | |
| Installation | | | | | | | | | | | | | | | | | |
| Maintenance | | | | | | | | | | | | | | | | | |
| Spare Parts | | | | | | | | | | | | | | | | | |
| Recommended Media | | | | | | | | | | | | | | | | | |
| Appendix | | | | | | | | | | | | | | | | | |
| Article-No. | 4068 - 613 | | | | | | | | | | | | | | | | |
| Name | DR310 | | | | | | | | | | | | | | | | |
| Yield | 100 k [bizhub 350] / 80 k [bizhub 250] | | | | | | | | | | | | | | | | |
| Units per carton | 1 | | | | | | | | | | | | | | | | |
| STAPLE CARTRIDGE FOR FS-508 | Compatibility | FN-8 / 105 / 107 / 109 / 113 / 117 | | | | | | | | | | | | | | | |
| | Article-No. | 4623 – 3610 - 01 | | | | | | | | | | | | | | | |
| | Name | MS – 5D (MAXX) | | | | | | | | | | | | | | | |
| | Quantity per Sales Unit | 3 x 5000 staples | | | | | | | | | | | | | | | |
| | | | | | | | | | | | | | | | | | |
| STAPLE CARTRIDGES FOR SD-502 | Compatibility | SK-1 | | | | | | | | | | | | | | | |
| | Article-No. | 4599 – 1610 - 01 | | | | | | | | | | | | | | | |
| | Name | MS – 2C (MAXX) | | | | | | | | | | | | | | | |
| | Quantity per Sales Unit | 4 x 2000 staples | | | | | | | | | | | | | | | |
| | | | | | | | | | | | | | | | | | |



Article Numbers

| MACHINE | | Product Basic |
|-------------|---------------------------------|-------------------------------|
| | bizhub 250 | 4041 - 211 |
| | bizhub 350 | 4040 - 211 |
| ACCESSORIES | | Product Configuration |
| | Document Feeder DF-605 | 4344 - 712 |
| | Original Cover OC-502 | 4599 - 225 |
| | Paper Cabinet PC-102 | 4061 - 112 |
| | Paper Cabinet PC-202 | 4061 - 212 |
| | Large Capacity Tray PC-402 | 4061 - 312 |
| | Copy Desk | 9960 – 6700 - 00 |
| | Embedded Finisher FS-508 | 4349 - 712 |
| | Additional Finisher Tray OT-601 | 4625 – 241 |
| | Mail Bin Tray MT-501 | 4510 - 712 |
| | Saddle Stitch Unit SD-502 | 4511 - 811 |
| | Punch Unit PU-501 | 4512 – 814 (European Version) |
| | Punch Unit PU-501 | 4512 – 817 (Swedish Version) |
| | Job Separator JS-502 | 4347 - 711 |
| | Fax Kit FK-503 | 4551 - 612 |
| | Multi-line Fax Kit ML-502 | 4551 - 622 |
| | Stamp Unit Fax SP-501 | 4614 - 506 |
| | Replacement Stamp | 4614 - 511 |
| | Scanner Unit SU-501 | 4551 - 631 |
| | 32 MB Extension Memory EM-303 | 4551 - 641 |
| | 64 MB Extension Memory EM-304 | 4551 - 651 |
| | 128 MB Extension Memory EM-305 | 4551 - 661 |
| | | Copier Specifications |
| | | Printer Specifications |
| | | Scanner Specifications |
| | | Fax Specifications |
| | | Consumables |
| | | Article Numbers |
| | | Installation |
| | | Maintenance |
| | | Spare Parts |
| | | Recommended Media |
| | | Appendix |



| | | |
|---|--|------------------------|
| ACCESSORIES cont. 40 GB Data Drive HD-504 4599 - 461 Parallel Interface Kit EK-502 4599 - 481 Security Chip SC-503 4599 - 441 Key Counter Kit 4 4599 - 211 | | Product Basic |
| | | Product Configuration |
| | | System Specifications |
| | | Copier Specifications |
| CONSUMABLES Toner TN-211 for bizhub 250 8938 - 415 Toner TN-311 for bizhub 350 8938 - 404 Developer DV-310 8938 - 451 Drum Unit DR-310 4068 - 613 | | Printer Specifications |
| | | Scanner Specifications |
| | | Fax Specifications |
| | | Consumables |
| STAPLES Staples MS-5D for FS-508 4623 – 3610 - 01 Staples MS-2C for SD-502 4599 – 1610 - 01 | | Article Numbers |
| | | Installation |
| | | Maintenance |
| | | Spare Parts |
| | | Recommended Media |
| | | Appendix |
| | | |



| DOCUMENTATION | Language | Art. No. | | Remarks | |
|---------------------------------|------------------|------------------|---|-------------------|------------------------|
| User Manual bizhub 250 / 350 | GB | 9961 – 0250 - 00 | ✓ | | Product Basic |
| | D | 9961 – 0250 - 01 | ✓ | | Product Configuration |
| | F | 9961 – 0250 - 02 | ✓ | | System Specifications |
| | E | 9961 – 0250 - 03 | ✓ | | Copier Specifications |
| | I | 9961 – 0250 - 04 | ✓ | | Printer Specifications |
| | P | 9961 – 0250 - 05 | ✓ | | Scanner Specifications |
| | NL | 9961 – 0250 - 06 | ✓ | | Fax Specifications |
| | DK | 9961 – 0250 - 07 | ✓ | | Consumables |
| | S | 9961 – 0250 - 08 | ✓ | | Article Numbers |
| | N | 9961 – 0250 - 09 | ✓ | | Installation |
| | FIN | 9961 – 0250 - 10 | ✓ | Maintenance | |
| | GR | 9961 – 0250 - 11 | ✓ | Spare Parts | |
| | TR | 9961 – 0250 - 13 | ✓ | Recommended Media | |
| | CZ | 9961 – 0250 - 15 | ✓ | Appendix | |
| | H | 9961 – 0250 - 18 | ✓ | | |
| | PL | 9961 – 0250 - 21 | ✓ | | |
| | RO | --- | X | | |
| | RUS | 9961 – 0250 - 23 | ✓ | | |
| SK | 9961 – 0250 - 24 | ✓ | | | |

User Manuals for **Printing, Scanning and User Box Utility** are part of the Copier User Manual. Those Manuals are available on CD only in all languages which are available for the Copier Manual.

A Driver CD for Printing, Scanning and User Box Utility will be made available separately. The Article Number for this multilingual CD is 9968 - 0350 - 99



| DOCUMENTATION | Language | Art. No. | | Remarks |
|-------------------------------------|------------------|------------------|-----|---------|
| Operator's Manual Fax Kit FK-503 | GB | 9965 – 0506 - 00 | ✓ | |
| | D | 9965 –0506 - 01 | ✓ | |
| | F | 9965 – 0506 - 02 | ✓ | |
| | E | 9965 – 0506 - 03 | ✓ | |
| | I | 9965 – 0506 - 04 | ✓ | |
| | P | 9965 – 0506 - 05 | --- | |
| | NL | 9965 – 0506 - 06 | ✓ | |
| | DK | 9965 – 0506 - 07 | ✓ | |
| | S | 9965 – 0506 - 08 | ✓ | |
| | N | 9965 – 0506 - 09 | ✓ | |
| | FIN | 9965 – 0506 - 10 | ✓ | |
| | GR | 9965 – 0506 - 11 | ✓ | |
| | TR | 9965 – 0506 – 13 | ✓ | |
| | CZ | 9965 – 0506 – 15 | ✓ | |
| | H | 9965 – 0506 – 18 | ✓ | |
| | PL | 9965 – 0506 – 21 | ✓ | |
| | RO | --- | X | |
| | RUS | 9965 – 0506 – 23 | ✓ | |
| SK | 9965 – 0506 - 24 | ✓ | | |

| |
|------------------------|
| Product Basic |
| Product Configuration |
| System Specifications |
| Copier Specifications |
| Printer Specifications |
| Scanner Specifications |
| Fax Specifications |
| Consumables |
| Article Numbers |
| Installation |
| Maintenance |
| Spare Parts |
| Recommended Media |
| Appendix |



| DOCUMENTATION | Language | Art. No. | | Remarks |
|--|------------------|---------------------------------|---|---|
| Face Sheets / Labels bizhub 250 / 350 | GB | 9967 – 0250 - 00 | ✓ | |
| | D | 9967 – 0250 - 01 | ✓ | |
| | F | 9967 – 0250 - 02 | ✓ | |
| | E | 9967 – 0250 - 03 | ✓ | |
| | I | 9967 – 0250 - 04 | ✓ | |
| | P | 9967 – 0250 - 05 | ✓ | |
| | NL | 9967 – 0250 - 06 | ✓ | |
| | DK | 9967 – 0250 - 07 | ✓ | |
| | S | 9967 – 0250 - 08 | ✓ | |
| | N | 9967 – 0250 - 09 | ✓ | |
| | FIN | 9967 – 0250 - 10 | ✓ | |
| | GR | 9967 – 0250 - 11 | ✓ | |
| | TR | 9967 – 0250 – 13 | ✓ | |
| | CZ | 9967 – 0250 – 15 | ✓ | |
| | H | 9967 – 0250 – 18 | ✓ | |
| | PL | 9967 – 0250 – 21 | ✓ | |
| RO | --- | X | | |
| RUS | 9967 – 0250 – 23 | ✓ | | |
| SK | 9967 – 0250 – 24 | ✓ | | |
| Service Manual bizhub 250 / 350 | GB | distributed to the countries | ✓ | Service Manual Machine & Options (CD) |
| | D | | ✓ | Service Manual Maschine & Zubehör (CD) |

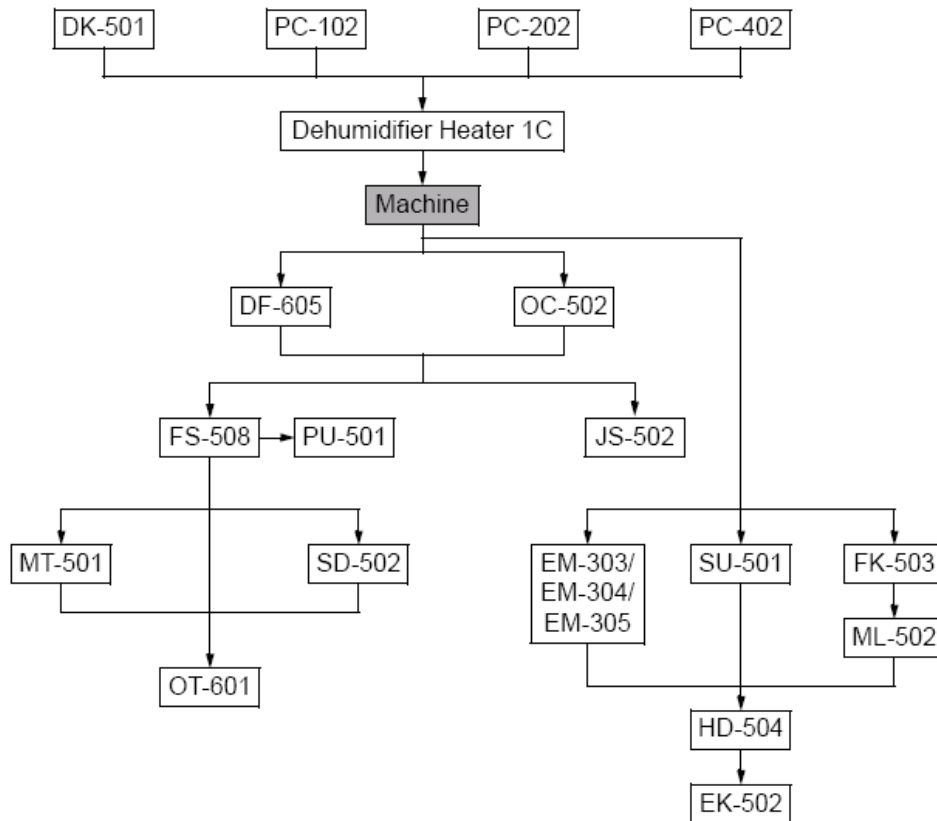
| |
|------------------------|
| Product Basic |
| Product Configuration |
| System Specifications |
| Copier Specifications |
| Printer Specifications |
| Scanner Specifications |
| Fax Specifications |
| Consumables |
| Article Numbers |
| Installation |
| Maintenance |
| Spare Parts |
| Recommended Media |
| Appendix |



Installation

Flowchart

In order to perform the installation process of bizhub 250/350 in the most efficient way, it is recommended to follow the flowchart below. All reported installation times are related to this process.



| Name | Unpacking | Installation | Adjustment | Total (min.) |
|-------------------|-----------|--------------|------------|--------------|
| bizhub 250/350 MB | 2 | 10 | 8 | 20 |
| DF-605 | 2 | 6 | 2 | 10 |
| PC-102 | 1 | 2 | 2 | 5 |
| PC-202 | 1 | 2 | 2 | 5 |
| PC-402 | 1 | 2 | 5 | 8 |
| OC-502 | 1 | 1 | --- | 2 |
| FS-508 | 2 | 13 | 5 | 20 |
| PU-501 | 1 | 8 | 5 | 14 |
| JS-502 | 2 | 5 | 1 | 8 |
| MT-501 | 1 | 8 | 1 | 10 |
| SD-502 | 2 | 10 | 5 | 17 |
| OT-601 | 1 | 4 | 1 | 6 |
| EM-303/304/305 | 2 | 4 | 1 | 7 |
| SU-501 | 2 | 4 | 1 | 7 |
| FK-503 | 2 | 4 | 1 | 7 |
| ML-502 | 2 | 4 | 1 | 7 |
| HD-504 | 2 | 7 | 2 | 11 |
| EK-502 | | | | TBD |

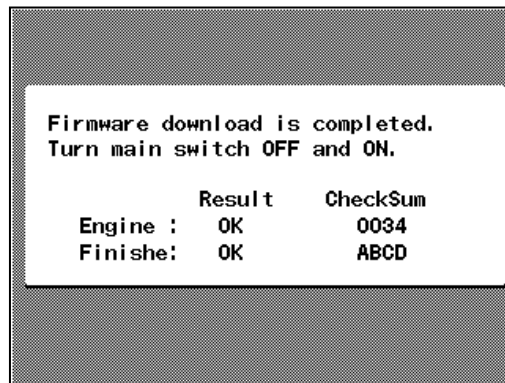
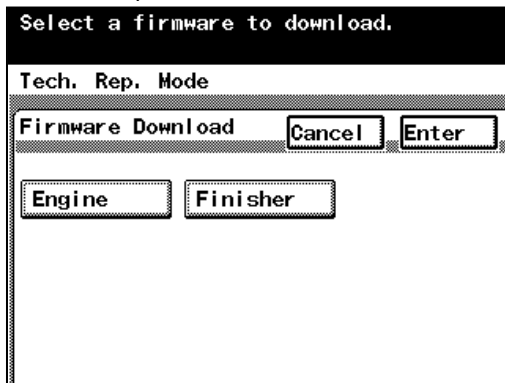
| |
|------------------------|
| Product Basic |
| Product Configuration |
| System Specifications |
| Copier Specifications |
| Printer Specifications |
| Scanner Specifications |
| Fax Specifications |
| Consumables |
| Article Numbers |
| Installation |
| Maintenance |
| Spare Parts |
| Recommended Media |
| Appendix |



Maintenance

Main unit / print controller and Finisher

Same as with Di2510/3510 the bizhub 250/350 has implemented the flashrom technology. The firmware of the machine is stored on a CompactFlash (32MB) card and copied to the main body. By this operation the MFBS board of the engine and the PWB-A of engine and finisher can be updated. After the copy process is finished, the firmware is stored on the related boards and the flashcard can be used to update another machine. That means that in difference to the predecessors the flash card can be removed from the engine when the update has been done. In order to keep the time for updates as little as possible the slot to insert the card into the machine is easily accessible. Only one small cover needs to be removed. The compact flash card itself can simply be updated using a PCMCIA adapter and a Notebook



Document feeder

Since the document feeder is used in common with the predecessor, the firmware update procedure is known already from the Di 2510/3510. The DF-605 can be upgraded by using flashrom technology. If an upgrade is required here, the service engineer simply has to insert a regular EEPROM with the latest firmware revision, and automatically the firmware upload procedure starts. The progress of this update will be indicated, by flashing of the condition lamp on top of the feeder itself. After the update is completed, the EEPROM can be removed from the socket and used to update another DF-605..

| |
|------------------------|
| Product Basic |
| Product Configuration |
| System Specifications |
| Copier Specifications |
| Printer Specifications |
| Scanner Specifications |
| Fax Specifications |
| Consumables |
| Article Numbers |
| Installation |
| Maintenance |
| Spare Parts |
| Recommended Media |
| Appendix |



Preventive Maintenance Parts

| 250/350 ENGINE | Art.nr. | Clean | Replace | Remarks |
|--|--------------|-------|----------|---------|
| Developing Unit | 4040-0752-00 | | 320/400K | |
| Paper Take-Up Roller (Multiple Bypass) | 4131-3001-01 | | 300K | |
| Separator Roller (Multiple Bypass) | 4034-0151-01 | | 300K | |
| Paper Take-Up Roller (1st Tray) | 4030-3005-01 | | 300K | |
| Paper Feed (1st Tray) | 4030-3005-01 | | 300K | |
| Separator Roller (1st Tray) | 4030-0151-01 | | 300K | |
| Paper Take-Up Roller (2nd Tray) | 4030-3005-01 | | 300K | |
| Paper Feed Roller (2nd Tray) | 4030-3005-01 | | 300K | |
| Separator Roller (2nd Tray) | 4030-0151-01 | | 300K | |
| Synchronizing Roller bushings | 1164-3549-01 | | 900K | |
| Synchronizing Roller gear 18T | 1164-3508-01 | | 900K | |
| Synchronizing Roller gear 13T | 1164-3515-01 | | 900 k | |
| Paper Dust Remover | 4040-0778-00 | | 150K | |
| Fusing Unit | 4040-0766-00 | | 450K | |
| Image Transfer Roll Unit | 4040-0760-00 | | 150K | |
| Toner Filter (Developing Unit) | 4040-5217-01 | | 80/100K | |
| Toner Filter (engine) | 4040-2093-01 | | 320/400K | |
| Ozone Filter | 4011-2031-01 | | 300K | |
| DF-605 | | | | |
| Pick-Up Roller | 4344-5003-01 | 50k | 200k | |
| Separator Roller | 4582-3047-01 | 50k | 200k | |
| Take-Up Roller | 4582-3014-01 | 50k | 200k | |
| Other Rollers and Rolls | | 50k | | |

| |
|------------------------|
| Product Basic |
| Product Configuration |
| System Specifications |
| Copier Specifications |
| Printer Specifications |
| Scanner Specifications |
| Consumables |
| Article Numbers |
| Installation |
| Maintenance |
| Spare Parts |
| Recommended Media |
| Appendix |



| | Art.nr. | Clean | Replace | Remarks |
|-----------------------------|----------|-------|-------------|---------|
| Reflector-type sensor | | 50k | | |
| Stamp (option) | | | As required | |
| Inner FN | | | | |
| Rollers and Rolls | | 30K | | |
| Consumables | | | | |
| Drum DR-310 | 4068-613 | | 80/100K | |
| Developer DV-310 | 8938-451 | | 80/100K | |
| Toner TN-211 for Bizhub 250 | 8938-415 | | 17.5 K | |
| Toner TN-311 for Bizhub 350 | 8938-404 | | 17.5 K | |

| |
|------------------------|
| Product Basic |
| Product Configuration |
| System Specifications |
| Copier Specifications |
| Printer Specifications |
| Scanner Specifications |
| Consumables |
| Article Numbers |
| Installation |
| Maintenance |
| Spare Parts |
| Recommended Media |
| Appendix |
| |



Recommended Spare Parts [A:10 units, B:20 Units, C:200 Units]

| Spare Parts | Art.nr. | Qty Unit | A | B | C | Desc. | Product Basic |
|------------------------|--------------|----------|---|---|---|---------------------|------------------------|
| Toner Filter | 404-05217-01 | 1 | | | 5 | | Product Configuration |
| Transfer roller unit | 4040-0313-01 | 1 | | | 5 | | System Specifications |
| Paper dust remover | 4040-0368-02 | 1 | | | 5 | | Copier Specifications |
| Ozone filter | 4011-2031-01 | 1 | | | 5 | | Printer Specifications |
| Feed roller | 4030-3005-01 | 1 | | | 5 | | Scanner Specifications |
| Pick up roller | 4030-3005-01 | 1 | | | 5 | | Fax Specifications |
| Feed roller | 4030-0005-01 | 1 | | | 5 | | Consumables |
| Pick up roller | 4030-0005-01 | 1 | | | 5 | | Article Numbers |
| Separation roller assy | 4030-0151-01 | 2 | | | 5 | | Installation |
| Separation roller assy | 4030-0151-01 | 2 | | | 5 | | Maintenance |
| Separation roller | 4034-0151-01 | 1 | | | 5 | | Spare Parts |
| Feed roller | 4131-3001-01 | 1 | | | 5 | | Recommended Media |
| Registration gear 18 T | 1164-3508-01 | 1 | | | 5 | | Appendix |
| Registration bushing | 1164-3549-01 | 4 | | | 5 | | |
| Registration gear 13 T | 1164-3515-01 | 1 | | | 5 | | |
| Toner filter | 4040-2093-01 | 2 | | | 5 | | |
| Developing unit | 4040-0752-00 | 1 | | | 5 | | |
| Fusing unit | 4040-0322-02 | 1 | | | 5 | | |
| P/H Assy | 4040-0751-00 | 1 | | | 5 | | |
| PWB-A | 4040-0101-03 | 1 | | | 5 | | |
| MFBS PWB Assy | 4551-2038-01 | 1 | | | 5 | | |
| BCRS PWB Assy | 4551-2034-01 | 1 | | | 5 | For bizhub 250 only | |
| BCRS PWB Assy | 4551-2033-01 | 1 | | | 5 | For bizhub 350 only | |
| UN2 PWB Assy | 4040-6040-01 | 1 | | | 5 | | |



| Spare Parts | Art.nr. | Qty Unit | A | B | C | Desc. | Product Basic |
|------------------------|--------------|----------|---|---|---|-------|------------------------|
| UN1 Control Panel Assy | 4040-6053-02 | 1 | | | 5 | | Product Configuration |
| PC-102 | | | | | | | System Specifications |
| Roller Assy | 4030-0151-01 | 1 | | | 5 | | Copier Specifications |
| Roller | 4030-3005-01 | 2 | | | 5 | | Printer Specifications |
| PWB-C2 | 4348-0104-02 | 1 | | | 5 | | Scanner Specifications |
| PC-202 | | | | | | | Fax Specifications |
| Roller Assy | 4030-0151-01 | 2 | | | 5 | | Consumables |
| Roller | 4030-3005-01 | 4 | | | 5 | | Article Numbers |
| PWB-C2 | 4348-0104-02 | 1 | | | 5 | | Installation |
| PC-402 | | | | | | | Maintenance |
| Roller Assy | 4030-0151-01 | 1 | | | 5 | | Spare Parts |
| Roller | 4030-3005-01 | 2 | | | 5 | | Recommended Media |
| PWB-C1 | 4348-0101-05 | 1 | | | 5 | | Appendix |
| DF-605 | | | | | | | |
| Roller | 4344-5003-01 | 2 | | | 5 | | |
| Roller | 4582-3014-01 | 1 | | | 3 | | |
| Roller | 4582-3047-01 | 1 | | | 5 | | |
| Film | 4344-5025-01 | 1 | | | 5 | | |
| PBA-CONT | 4344-5026-01 | 1 | | | 5 | | |
| Jig | 43447-901-03 | 1 | | | 5 | | |
| FS-508 | | | | | | | |
| PWB-A | 4349-0105-01 | 1 | | | 5 | | |
| MT-501 | | | | | | | |
| PWB Assy | 4510-5110-01 | 1 | | | 5 | | |



Recommended Media

| Paper | Manufacturer | Article Number | Product Basic |
|---|--|------------------|------------------------|
| Konica Minolta Original | Mondi Triotec 80 g/m ² A4 | 9960 – 6120 - 00 | Product Configuration |
| Konica Minolta Premium Original | Mondi Triotec 80 g/m ² A3 | 9960 – 6121 - 00 | System Specifications |
| Konica Minolta Profi | Mondi Universal 80 g/m ² A4 | 9966 – 1380 - 00 | Copier Specifications |
| Konica Minolta Profi | Mondi Universal 80 g/m ² A3 | 9966 – 1370 - 00 | Printer Specifications |
| RCC 80 Recycling Paper | Steinbeis-Temming 80 g/m ² A4 | --- | Scanner Specifications |
| IQ Premium | Mondi 100 / 120 / 160 g/m ² | --- | Fax Specifications |
| IQ Premium | Mondi 200 g/m ² | --- | Consumables |
| OHP Films | | | Article Numbers |
| X-500 | Folex (100 μ) | --- | Installation |
| X-520 | Folex (125 μ) | --- | Maintenance |
| ENVELOPS | | | Spare Parts |
| Distinction 100 weiss | Schneider & Söhne (100 g/m ² , 110 x 221 mm) | --- | Recommended Media |
| For more details please refer to the InfoHub "Recommended Copy / Print Media for Konica Minolta Digital Systems". | | | Appendix |



Appendix

| Compatibility of Accessories | | | Product Basic |
|----------------------------------|------------------|----------------------|------------------------|
| Accessories | bizhub 250 / 350 | Di2510 / 3010 / 3510 | Product Configuration |
| Document Feeder DF-605 | Yes | Yes | System Specifications |
| Original Cover OC-502 | Yes | Yes | Copier Specifications |
| Paper Cabinet PC-102 | Yes | No | Printer Specifications |
| Paper Cabinet PC-202 | Yes | No | Scanner Specifications |
| Large Capacity Tray PC-402 | Yes | No | Fax Specifications |
| Copy Desk | Yes | Yes | Consumables |
| Embedded Finisher FS-508 | Yes | Yes | Article Numbers |
| Add. Finisher Tray OT-601 | Yes | Yes | Installation |
| Mail Bin Tray MT-501 | Yes | Yes | Maintenance |
| Saddle Stitch Unit SD-502 | Yes | Yes | Spare Parts |
| Punch Unit PU-501 | Yes | No | Recommended Media |
| Job Separator JS-502 | Yes | Yes | Appendix |
| Fax Kit FK-503 | Yes | No | |
| Multi-line Fax Kit ML-502 | Yes | No | |
| Stamp Unit Fax SP-501 | Yes | Yes | |
| Scanner Unit SU-501 | Yes | No | |
| 32 MB Memory EM-303 | Yes | No | |
| 64 MB Memory EM-304 | Yes | No | |
| 128 MB Memory EM-305 | Yes | No | |
| 40 GB HDD HD-504 | Yes | No | |
| Parallel Interface Kit EK-502 | Yes | No | |
| Security Chip SC-503 | Yes | No | |
| Key Counter Kit 4 | Yes | Yes | |



| Compatibility of Accessories | | | Product Basic |
|---------------------------------------|----------------------|------------------|------------------------|
| Accessories | Di2510 / 3010 / 3510 | bizhub 250 / 350 | Product Configuration |
| Duplexing Document Feeder AFR-19 | Yes | No | System Specifications |
| Original Cover OC-6 | Yes | Yes | Copier Specifications |
| Paper Feed Cabinet PF-124 | Yes | No | Printer Specifications |
| Paper Feed Cabinet PF-210 | Yes | No | Scanner Specifications |
| Large Capacity Tray PF-122 | Yes | No | Fax Specifications |
| Copy Desk | Yes | Yes | Consumables |
| Embedded Finisher FN-117 | Yes | No | Article Numbers |
| Add. Bin Kit AK-1 | Yes | Yes | Installation |
| Mail Bin Kit MK-1 | Yes | Yes | Maintenance |
| Saddle Kit SK-1 | Yes | Yes | Spare Parts |
| Punch Kit PK-6 | Yes | No | Recommended Media |
| Job Separator JS-203 | Yes | Yes | Appendix |
| TX - Marker Stamp Unit 2 | Yes | Yes | |
| Scan Key for Network Scan SU-2 | Yes | No | |
| Scan Key for iFax & Network Scan SU-3 | Yes | No | |
| 32 MB Memory M32-4 | Yes | No | |
| 64 MB Memory M64-2 | Yes | No | |
| Data Drive HDD-6 | Yes | No | |
| Key Counter Kit 4 | Yes | Yes | |



| Compatibility of Consumables | | | Product Basic |
|--|----------------------|------------------|------------------------|
| Consumables | Di2510 / 3010 / 3510 | bizhub 250 / 350 | Product Configuration |
| Toner TN-211 | No | Yes (bizhub 250) | System Specifications |
| Toner TN-311 | No | Yes (bizhub 350) | Copier Specifications |
| MT Toner 205B | Yes (Di2510) | No | Printer Specifications |
| MT Toner 303B | Yes (Di3010 / 3510) | No | Scanner Specifications |
| Developer DV-310 | No | Yes | Fax Specifications |
| Starter MT-106 | Yes | No | Consumables |
| Drum Unit DR-310 | No | Yes | Article Numbers |
| Photoconductor 305 | Yes | No | Installation |
| Remark: As the bizhub 250 / 350 is using polymerized toner, the consumables are not compatible. | | | Maintenance |
| | | | Spare Parts |
| | | | Recommended Media |
| | | | Appendix |



| Maximum paper capacity of FS-508 with different configurations | | | | | Product Basic |
|--|----------------|-------------------------|----------------------------------|---------------|------------------------|
| | Total Capacity | Non-Sort / Sort / Group | Sort Staple | Saddle Staple | Product Configuration |
| 1 st Tray | 1200 sheets A4 | 200 sheets | 200 sheets or 20 sets | | System Specifications |
| 2 nd Tray (A4 / B4 or A3) | | 1000 sheets | 500 / 250 sheets or 50 / 25 sets | | Copier Specifications |
| 1 st Tray | 900 sheets A4 | 200 sheets | 200 sheets or 20 sets | | Printer Specifications |
| 2 nd Tray (A4 / B4 or A3) | | 500 / 250 sheets | 500 / 250 sheets or 50 / 25 sets | | Scanner Specifications |
| Additional Finisher Tray | | 200 sheets | 200 sheets or 20 sets | | Fax Specifications |
| 1 st Tray | 900 sheets A4 | 200 sheets | 200 sheets or 20 sets | | Consumables |
| 2 nd Tray (A4 / B4 or A3) | | 500 / 250 sheets | 500 / 250 sheets or 50 / 25 sets | | Article Numbers |
| Saddle Stitch Unit | | | | | 200 sheets or 20 sets |
| 1 st Tray | 800 sheets A4 | 200 sheets | 200 sheets or 20 sets | | Maintenance |
| 2 nd Tray (A4 / B4 or A3) | | 200 / 100 sheets | 200 / 100 or 20 / 10 sets | | Spare Parts |
| Additional Finisher Tray | | 200 sheets | 200 sheets or 20 sets | | Recommended Media |
| Saddle Stitch Unit | | | | | 200 sheets or 20 sets |
| 1 st Tray | 1200 sheets A4 | 200 sheets | 200 sheets or 20 sets | | |
| 2 nd Tray (A4 / B4 or A3) | | 500 / 250 sheets | 500 / 250 sheets or 50 / 25 sets | | |
| Mail Bin Tray | | 500 sheets | | | |
| 1 st Tray | 1100 sheets A4 | 200 sheets | 200 sheets or 20 sets | | |
| 2 nd Tray (A4 / B4 or A3) | | 200 / 100 sheets | 200 / 100 sheets or 20 / 10 sets | | |
| Additional Finisher Tray | | 200 sheets | 200 sheets or 20 sets | | |
| Mail Bin Tray | | 500 sheets | | | |



| Combination of Finishing Accessories | | | | | | |
|--|--------|--------|-------------------|-------------------|--------|--------|
| | FS-508 | OT-601 | MT-501 | SD-502 | PU-501 | JS-502 |
| FS-508 | | Yes | Yes ¹⁾ | Yes ¹⁾ | Yes | No |
| OT-601 | Yes | | Yes | Yes | Yes | No |
| MT-501 | Yes | Yes | | No | Yes | No |
| SD-502 | Yes | Yes | No | | Yes | No |
| PU-501 | Yes | Yes | Yes | Yes | | No |
| JS-502 | No | No | No | No | No | |
| 1) Either MT-501 or SD-502 can be used with FS-508 | | | | | | |

| Finishing Matrix | | | | | |
|----------------------|--------|---------------|----------|----------|----------------------|
| | FS-508 | Mail Bin Tray | Punching | Stapling | Fold / Saddle Stitch |
| FS-508 | | Yes | Yes | Yes | Yes |
| Mail Bin Tray | Yes | | Yes | No | No |
| Punching | Yes | Yes | | Yes | Yes |
| Stapling | Yes | No | Yes | | Yes |
| Fold / Saddle Stitch | Yes | No | Yes | Yes | |

| |
|------------------------|
| Product Basic |
| Product Configuration |
| System Specifications |
| Copier Specifications |
| Printer Specifications |
| Scanner Specifications |
| Fax Specifications |
| Consumables |
| Article Numbers |
| Installation |
| Maintenance |
| Spare Parts |
| Recommended Media |
| Appendix |



| Paper Weights | | | | Product Basic |
|--------------------------|----------------------|--------------------------|---------------------------|------------------------|
| bizhub 250 bizhub 350 | Option / Feature | 60 ~ 90 g/m ² | 91 ~ 210 g/m ² | Product Configuration |
| | PC-102 | Yes | No | System Specifications |
| | PC-202 | Yes | No | Copier Specifications |
| | PC-402 | Yes | No | Printer Specifications |
| | Manual Feed | Yes | Yes | Scanner Specifications |
| | Duplex | Yes | No | Fax Specifications |
| FS-508 | 1 st Tray | Yes | Yes | Consumables |
| | 2 nd Tray | Yes | Yes | Article Numbers |
| | Additional Tray | Yes | No | Installation |
| | Mail Bin | Yes | No | Maintenance |
| Finishing Functionality | Stapling | Yes | No | Spare Parts |
| | Punching | Yes | No | Recommended Media |
| | Folding | Yes | No | Appendix |
| JS-502 | 1 st Tray | Yes | Yes | |
| | 2 nd Tray | Yes | No | |



| HD-504 Functionality | | Product Basic |
|--------------------------|--|------------------------|
| Copying Features | ⇒ Overlay Functions, Watermark, | Product Configuration |
| | ⇒ Multi-jobs (Job Stock : reservation for the next 5 jobs) | System Specifications |
| | ⇒ As File Memory | Copier Specifications |
| Printing Features | ⇒ PDL spooling (spools jobs on HDD during printing) | Printer Specifications |
| | ⇒ Print to HDD (Store Print Job on HDD for reprinting afterwards) | Scanner Specifications |
| | ⇒ PCL & PS Font downloading (permanent) | Fax Specifications |
| Scanning Features | ⇒ Scan to HDD (Scan-to-Box) | Consumables |
| | ⇒ Scan to URL (in case of e-mail notification + Scan-to-HDD (Box)) | Article Numbers |
| | | Installation |
| | | Maintenance |
| | | Spare Parts |
| | | Recommended Media |
| | | Appendix |



| HDD Box Function | | | | | | Product Basic |
|--|--------------------------------------|--|------|-----------|-----------|------------------------|
| Item | Function | NDL | PPD | Tigris P1 | Tigris P2 | Product Configuration |
| Storing job on HDD Box | Copy job | Yes | Yes | --- | Yes | System Specifications |
| | Print job | Yes | Yes | Yes | --- | Copier Specifications |
| | Scan job | Yes | Yes | Yes | --- | Printer Specifications |
| | Send FAX job | Yes | Yes | No | --- | Scanner Specifications |
| | Received FAX job | No | Yes | No | --- | Fax Specifications |
| | I-Net fax | No | No | No | --- | Consumables |
| Confirmation FAX job log | PageScope light | Yes | No | No | --- | Article Numbers |
| | PageScope WEB connection | Yes | No | Yes | --- | Installation |
| HDD Box management | Box classification | Scan only | Yes | Yes | --- | Maintenance |
| Store limitation | Number of page | Depending on HDD capacity | | | | Spare Parts |
| Folder Box | Number of folder | 115 | 1000 | --- | 1000 | Recommended Media |
| | Registered folder name character | 24 | 12 | 20 | --- | Appendix |
| | Registered folder password character | 8 | 64 | 8 | --- | |
| | Encryption password | No | No | --- | Yes | |
| Document info. | File name | Auto generate name or user input | | | | |
| | Password | 8 | No | No | --- | |
| | Password print from driver | Yes | Yes | Yes | --- | |
| | Encryption password | No | No | --- | Yes | |
| Retrieval | | no | no | --- | Yes | |
| Auto stored data delete | | Yes | Yes | --- | Yes | |
| Encryption HDD data | | No | No | --- | Yes | |
| NDL: Di 2510 (f) / 3010 / 3510 (f), | | Tigris P1: bizhub 250 / 350 Phase 1 | | | | |
| PPD: 7222, 7228, 7235 | | Tigris P2: bizhub 250 / 350 Phase 2 | | | | |



| HDD Box Function cont. | | | | | | Product Basic |
|---|--------------------------------------|--|-----|-----------|-----------|------------------------|
| Item | Function | NDL | PPD | Tigris P1 | Tigris P2 | Product Configuration |
| Utilization with HDD Box | Send stored data job | Yes | Yes | --- | Yes | System Specifications |
| | Re-print | Yes | Yes | --- | Yes | Copier Specifications |
| | Confirmation print mode | Yes | Yes | --- | Yes | Printer Specifications |
| | Change print job mode | Yes | No | --- | Yes | Scanner Specifications |
| | Job combination | No | No | No | --- | Fax Specifications |
| | Back up stored data w/PS utility | No | No | --- | Yes | Consumables |
| | Copy or move job data to another box | No | No | No | --- | Article Numbers |
| | Change user box name | No | No | --- | Yes | Installation |
| | Delete document | Yes | Yes | Yes | --- | Maintenance |
| | Re-name document | Yes | No | --- | Yes | Spare Parts |
| | Delete folder | No | No | Yes | --- | Recommended Media |
| | Re-name folder | Yes | No | --- | Yes | Appendix |
| NDL: Di 2510 (f)/ 3010 / 3510 (f), | | Tigris P1: bizhub 250 / 350 Phase 1 | | | | |
| PPD: 7222, 7228, 7235 | | Tigris P2: bizhub 250 / 350 Phase 2 | | | | |



| What is delivered with the machine? | | | Product Basic |
|-------------------------------------|-----------------|-----------------|------------------------|
| Parts | Packed in Japan | Added in Europe | Product Configuration |
| PC-Drum | Yes | | System Specifications |
| Starter | Yes | --- | Copier Specifications |
| EDH | --- | --- | Printer Specifications |
| Original Cover | --- | --- | Scanner Specifications |
| Copy Tray | --- | --- | Fax Specifications |
| Operator Manual | --- | Yes | Consumables |
| Face Sheets | --- | Yes | Article Numbers |
| Labels | --- | Yes | Installation |
| Installation Kit | --- | Yes | Maintenance |
| | | | Spare Parts |
| | | | Recommended Media |
| | | | Appendix |

