



# Parts Manual



## Legacy XL / 2027 / 2927 Series Garden Tractors & Mower Decks

### 27HP Product

Mfg. No.	Description
1694413	Legacy XL, 27HP B&S Diesel 4WD 540 3-Pt
1694416	Legacy XL, 27HP KOH 4WD 540 3-Pt
1694417	Legacy XL, 27HP KOH 4WD
1694418	Legacy XL, 27HP B&S Diesel 2WD
1694420	Legacy XL, 27HP KOH 2WD
1694428	2927, 27HP KOH 2WD
1694445	Legacy XL, 27HP LC KAW 4WD 540 3-Pt
1694446	Legacy XL, 27HP LC KAW 2WD
1694447	2927, 27HP LC KAW 4WD 540 3-Pt
1694448	2927, 27HP LC KAW 4WD
1694451	Legacy XL, 27HP LC KAW 4WD
1694501	2027, 27HP KOH 2WD
1694502	2027, 27HP LC KAW 4WD
1694503	2027, 27HP LC KAW 4WD 540 3-Pt
1694505	2927, 27HP B&S Diesel 4WD 540 3-Pt (CE)
1694506	Legacy XL, 27HP B&S Diesel 4WD 540 3-Pt (CE)
1694539	2027, 27HP B&S Diesel 4WD 540 3-Pt
1694540	2927, 27HP B&S Diesel 4WD 540 3-Pt
1694541	2027, 27HP B&S Diesel 4WD 540 3-Pt (CE)
1694549	Legacy XL, 27HP B&S Diesel 2WD (CE)
1694550	2927, 27HP B&S Diesel 2WD

### Mower Decks

Mfg. No.	Description
1694432	48" Mower Deck
1694477	48" Mower Deck
1694397	54" Mower Deck
1694478	54" Mower Deck
1694507	54" Mower Deck (CE)
1694509	54" Mower Deck (CE)
1694398	60" Mower Deck
1694479	60" Mower Deck

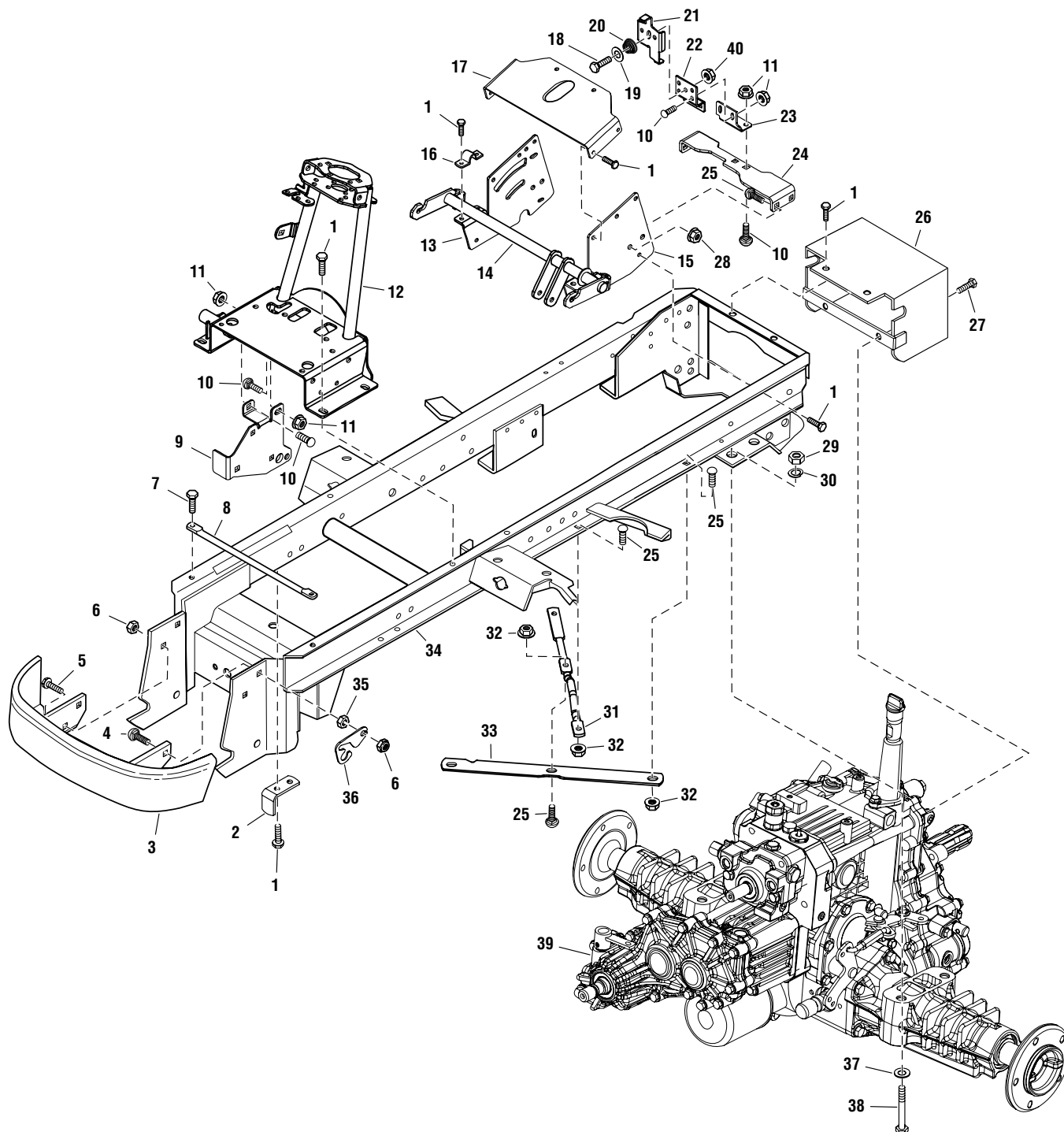


<b>PRODUCT COMPONENTS</b>	<b>PAGES</b>
Frame & Transmission Group .....	4
Steering & Front Axle Group .....	6
Engine Group - 27HP Briggs & Stratton Diesel Diagram 1 .....	10
Engine Group - 27HP Briggs & Stratton Diesel Diagram 2 .....	14
Engine Group - 27HP Kawasaki .....	18
Engine Group - 27HP Kohler .....	22
Transmission SERVICE PARTS - Tuff Torq K92A, 2WD .....	26
Transmission SERVICE PARTS - Tuff Torq K92B, 4WD .....	34
Transmission SERVICE PARTS - Tuff Torq K92C, 4WD 540 .....	44
Transaxle SERVICE PARTS - Shibaura .....	54
Hydraulic Group .....	58
Controls Group .....	62
Electrical Group - 27HP Briggs & Stratton Diesel .....	66
Electrical Group - 27HP Kohler & Kawasaki .....	70
Body Group .....	72
Wheel & Tires Group .....	76
Decals Group - Brand & Model .....	78
Decals Group - Safety & Common .....	80
3-Point Hitch Group .....	82
48" Mower Deck - Arbor & Drive Group .....	84
48" Mower Deck - Deflector & Hitch Group .....	88
48" Mower Deck - Height Adjustment & Roller Group .....	90
48" Mower Deck - Housing & Cover Group .....	94
54" Mower Deck - Drive Group .....	96
54" Mower Deck - Height Adjustment & Roller Group .....	98
54" Mower Deck - Housing & Arbor Group .....	102
60" Mower Deck - Arbor & Drive Group .....	106
60" Mower Deck - Deflector & Hitch Group .....	110
60" Mower Deck - Height Adjustment & Roller Group .....	112
60" Mower Deck - Housing & Cover Group .....	116
<b>Torque Specification Chart .....</b>	<b>Inside Back Cover</b>

# Frame & Transmission Group

986308

**NOTE:** Unless noted otherwise,  
use the standard hardware torque  
specification chart.



**The above parts group applies to the following Mfg. Nos.:**

1694413 - Legacy XL	1694445 - Legacy XL	1694502 - 2027	1694541 - 2027
1694416 - Legacy XL	1694446 - Legacy XL	1694503 - 2027	1694549 - Legacy XL
1694417 - Legacy XL	1694447 - 2927	1694505 - 2927	1694550 - 2927
1694418 - Legacy XL	1694448 - 2927	1694506 - Legacy XL	
1694420 - Legacy XL	1694451 - Legacy XL	1694539 - 2027	
1694428 - 2927	1694501 - 2027	1694540 - 2927	

## Frame & Transmission Group

REF NO	PART NO.	QTY.	DESCRIPTION
1	1664847	22	CAPSCREW, Hex, Washer Head, Taptite, 5/16-18 x 3/4, Black
2	1725752	1	BRACKET, Upstop
3	1725171	1	BUMPER & BRACKETS ASSEMBLY
4	1960706	2	CARRIAGE BOLT-RD, 1/2-13 x 2, Black
5	1920328	2	CAPSCREW, Hex Head, 1/2-13 x 1-1/2, Black
6	1960708	4	NUT, Hex, Lock ESNA, 1/2-13
7	1923683	2	CAPSCREW, Hex Washer Head, 3/8-16 x 3/4, Black, (540 PTO Models Only)
8	1725242	1	ROD, (Gas Models Only)
9	1724838	1	SUPPORT, Control Valve
10	1931333	6	CARRIAGE BOLT, 5/16-18 x 3/4, Black
11	1960684	6	NUT, Hex, KEPS 5/16-18, Black
12	1724108	1	TOWER ASSEMBLY
13	1725095	1	SUPPORT, Seat Support, RH
14	1724765	1	SHAFT ASSEMBLY
15	1725096	1	SUPPORT, Seat Support, LH
16	1720147	2	STRAP
17	1725094	1	SUPPORT, Seat Deck
18	1921333	1	CAPSCREW, Hex Head, 5/16-18 x 1, Black
19	1919326	1	WASHER, 5/16, Black
20	153010	1	SPRING, Compresion, Conocal
21	1724248	1	BRACKET, Free Wheel
22	1725308	1	SUPPORT, Free Wheel Latch
23	1725081	1	SUPPORT, Dump Valve
24	1724244	1	BRACKET, Torque Strap
25	1931350	9	CARRIAGE BOLT, 3/8-16 x 1 Black
26	1724817	1	SHIELD & BRACKET ASSEMBLY
27	1960677	2	CAPSCREW, Hex Head, M12-1.75 x 25MM, (540 PTO Models Only)
28	1960687	4	NUT, Hex, Flange ESNA, 3/8-16, Black
29	1960423	4	NUT, Hex Flange Center Lock, M12-1.25, Black
30	1916966	4	LOCKWASHER, 1/2, Black
31	1725635	1	ROD
32	1960680	5	NUT, Hex, KEPS 3/8-16, Black
33	1724936	1	BRACE, Cross
34	1724144	1	FRAME ASSEMBLY
35	1913744	2	NUT, Hex, Jam, 1/2-13, Black
36	1726019	2	LOCK, Hood
37	1924361	4	WASHER, 1/2
38	1960482	4	CAPSCREW, Hex Head, M12-1.25 x100MM, Black
39	1724561	1	TRANSMISSION ASSEMBLY, 4WD, K92C, W/540
39	1723939	1	TRANSMISSION ASSEMBLY, 2WD, K92A
39	1723940	1	TRANSMISSION ASSEMBLY, 4WD, K92B
40	1960686	1	NUT, Hex, Flange ESNA, 5/16-18, Black

### Footnotes

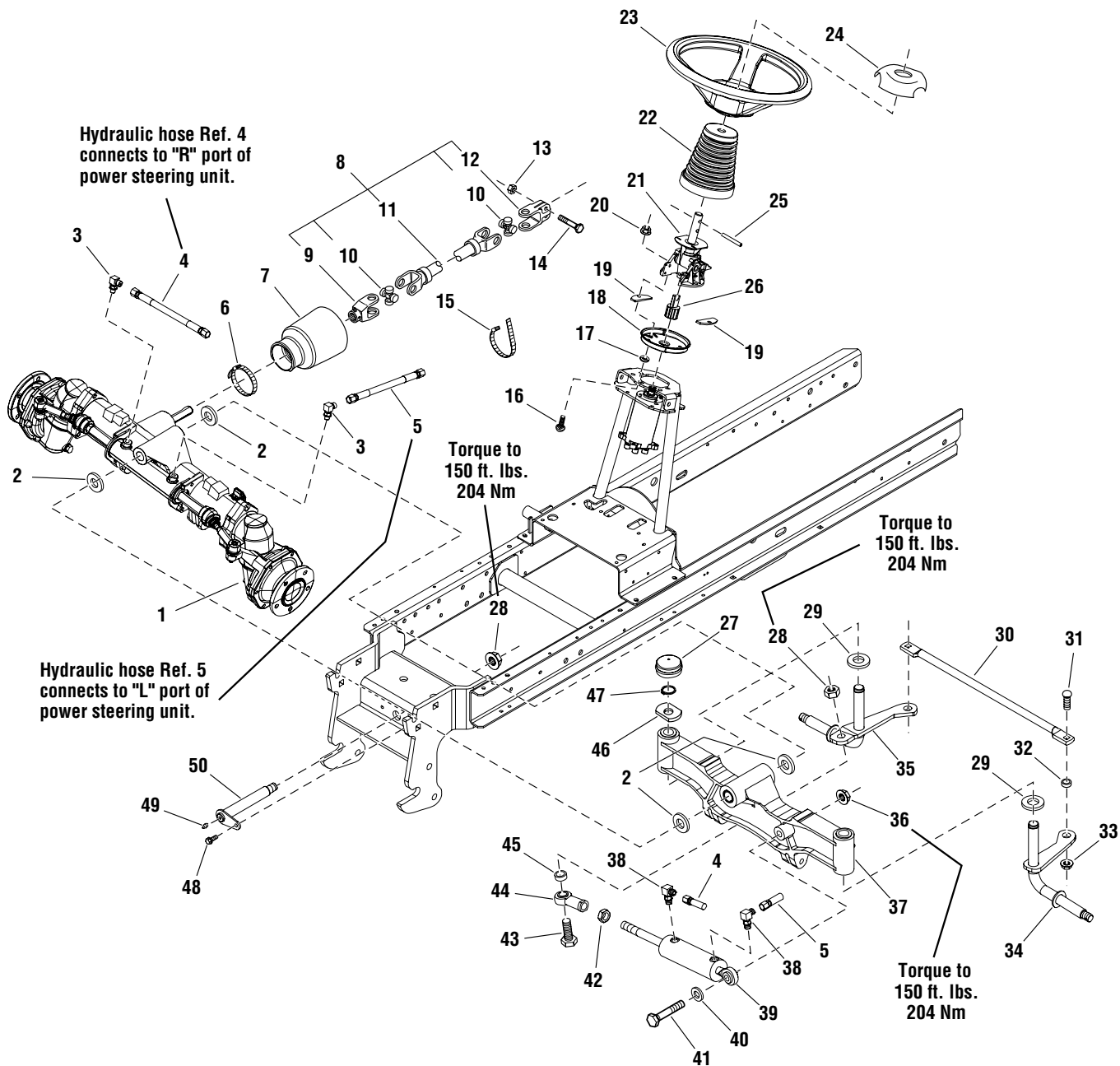
#### The above parts group applies to the following Mfg. Nos.:

1694413 - Legacy XL	1694445 - Legacy XL	1694502 - 2027	1694541 - 2027
1694416 - Legacy XL	1694446 - Legacy XL	1694503 - 2027	1694549 - Legacy XL
1694417 - Legacy XL	1694447 - 2927	1694505 - 2927	1694550 - 2927
1694418 - Legacy XL	1694448 - 2927	1694506 - Legacy XL	
1694420 - Legacy XL	1694451 - Legacy XL	1694539 - 2027	
1694428 - 2927	1694501 - 2027	1694540 - 2927	

# Steering & Front Axle Group

986313

**NOTE:** Unless noted otherwise, use the standard hardware torque specification chart.



**The above parts group applies to the following Mfg. Nos.:**

1694413 - Legacy XL	1694445 - Legacy XL	1694502 - 2027	1694541 - 2027
1694416 - Legacy XL	1694446 - Legacy XL	1694503 - 2027	1694549 - Legacy XL
1694417 - Legacy XL	1694447 - 2927	1694505 - 2927	1694550 - 2927
1694418 - Legacy XL	1694448 - 2927	1694506 - Legacy XL	
1694420 - Legacy XL	1694451 - Legacy XL	1694539 - 2027	
1694428 - 2927	1694501 - 2027	1694540 - 2927	

## Steering & Front Axle Group

REF NO	PART NO.	QTY.	DESCRIPTION
1	1724273	1	AXLE ASSEMBLY
2	1960201	2	WASHER
3	1725013	2	FITTING, Elbow Hose
4	1725012	1	HOSE ASSEMBLY, Hydraulic
5	1724890	1	HOSE ASSEMBLY, Hydraulic
6	1725617	1	CLAMP, Worm Hose
7	1725581	1	COVER, Drive Shaft
8	1724562	1	SHAFT ASSEMBLY
9	*	1	YOKE & FLANGE, Drive Shaft
10	*	2	CROSS & BEARING KIT, Includes Grease Fitting
11	*	1	YOKE & TUBE ASSEMBLY
12	*	1	YOKE, Drive Shaft
13	1919439	2	NUT, Hex, Lock, 3/8-16 NC
14	1921971	2	CAPSCREW, Hex Head, 3/8-16 x 1-3/4 G5
15	925094	2	TIE, Self Locking
16	1960223	3	CARRIAGE BOLT, 5/16-16 x 1 G5
17	1933988	3	NUT, Push, 1/4
18	1724685	1	PLATE, Steering
19	1723898	2	SPACER, Flat
20	1960684	3	NUT, Hex, 5/16-18
21	1726026	1	TILT STEERING UNIT, 2 Holes, Legacy
22	1724368	1	BELLOWS, Tilt Steering Unit With Slot
23	1724576	1	STEERING WHEEL
24	1715920	1	CAP, Steering Wheel
25	1960540	1	PIN, Spring, 5/16 x 2-1/2
26	1725294	1	ADAPTER TILT, 9 Tooth With Powdered Metal
27	1725651	2	COVER, Spindle
28	1960691	2/1	NUT, Hex, Toplock Flange 3/4-10
29	1960701	2	WASHER
30	1724923	1	ROD, Tie
31	1960135	2	CARRIAGE BOLT, 7/16-14 x 1-1/4
32	1716953	2	SPACER, .390 LG With Powdered Metal
33	1960688	2	NUT, Hex, Toplock Flange, 7/16-14
34	1724574	1	SPINDLE & ARM ASSEMBLY, Left Hand
35	1724575	1	SPINDLE & ARM ASSEMBLY, Right Hand
36	1960690	1	NUT, Hex, Toplock Flange, 5/8-11
37	1725465	1	AXLE & BUSHINGS ASSEMBLY
38	1725021	2	FITTING, Elbow Hose
39	1724925	1	CYLINDER, Hydraulic Steering
40	1960020	1	WASHER, 5/8
41	1960329	1	CAPSCREW, Hexagon Head, 5/8-11 x 4 G5
42	1922015	1	NUT, Hex Jam, 3/4-16
43	1960712	1	CAPSCREW, Hex Head, 3/4-10 x 2-1/2 G5
44	1717589	1	JOINT, Ball, 3/4-16

### Footnotes

\* Part number(s) not available at this time.

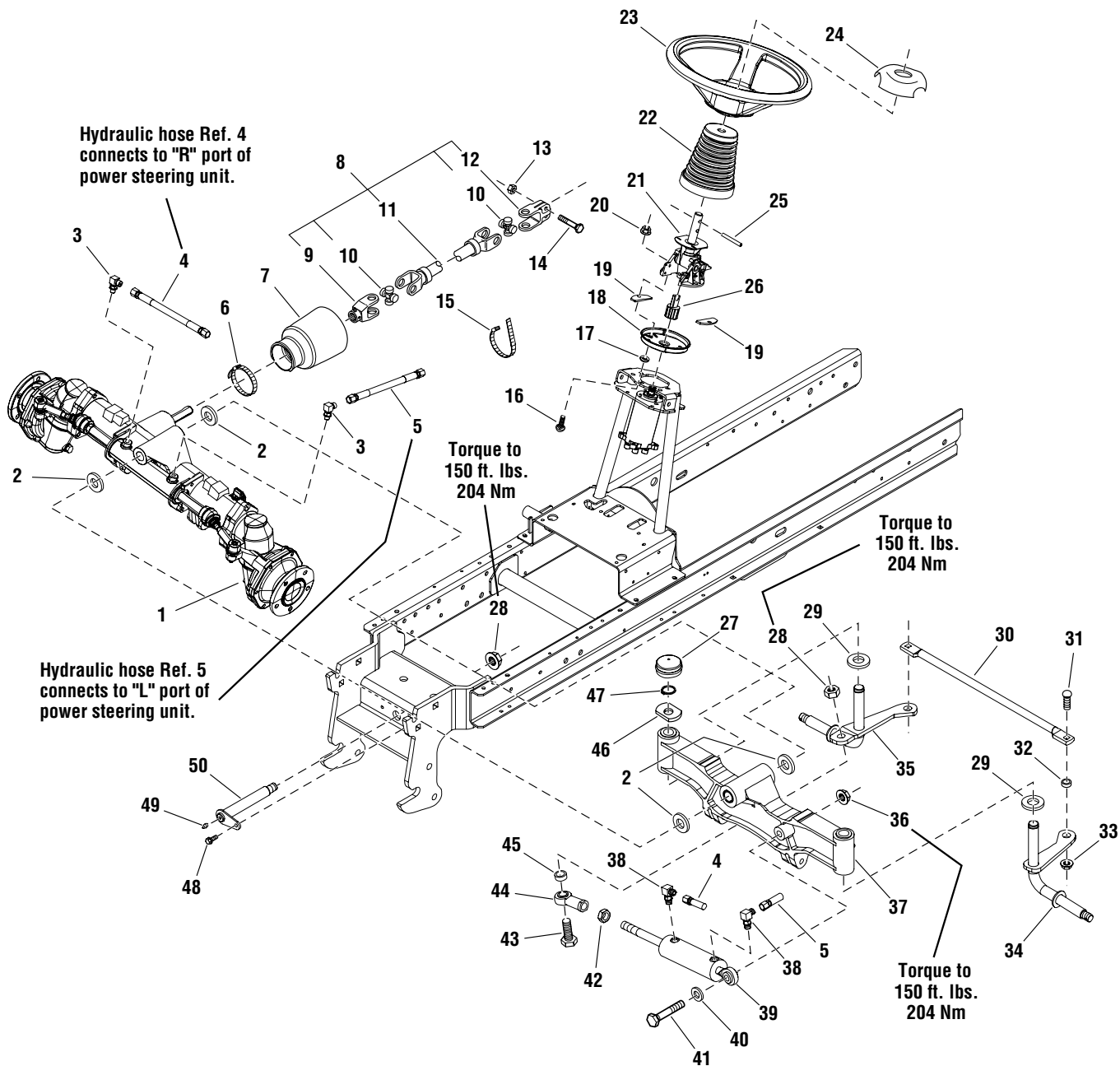
### The above parts group applies to the following Mfg. Nos.:

1694413 - Legacy XL	1694445 - Legacy XL	1694502 - 2027	1694541 - 2027
1694416 - Legacy XL	1694446 - Legacy XL	1694503 - 2027	1694549 - Legacy XL
1694417 - Legacy XL	1694447 - 2927	1694505 - 2927	1694550 - 2927
1694418 - Legacy XL	1694448 - 2927	1694506 - Legacy XL	
1694420 - Legacy XL	1694451 - Legacy XL	1694539 - 2027	
1694428 - 2927	1694501 - 2027	1694540 - 2927	

# Steering & Front Axle Group

986313

**NOTE:** Unless noted otherwise, use the standard hardware torque specification chart.



**The above parts group applies to the following Mfg. Nos.:**

1694413 - Legacy XL	1694445 - Legacy XL	1694502 - 2027	1694541 - 2027
1694416 - Legacy XL	1694446 - Legacy XL	1694503 - 2027	1694549 - Legacy XL
1694417 - Legacy XL	1694447 - 2927	1694505 - 2927	1694550 - 2927
1694418 - Legacy XL	1694448 - 2927	1694506 - Legacy XL	
1694420 - Legacy XL	1694451 - Legacy XL	1694539 - 2027	
1694428 - 2927	1694501 - 2027	1694540 - 2927	



## Steering & Front Axle Group

REF NO	PART NO.	QTY.	DESCRIPTION
45	1722461	1	SPACER, 3/8 LG With Powdered Metal
46	1722726	2	WASHER
47	932577	2	RING, Retaining
48	1664847	1	SCREW, Hex Washer Head, Taptite, 5/16-18 x 3/4
49	1704314	1	FITTING, Lube, 1/4 Drive
50	1724841	1	SHAFT & ANCHOR ASSEMBLY, Pivot

### Footnotes

\* Part number(s) not available at this time.

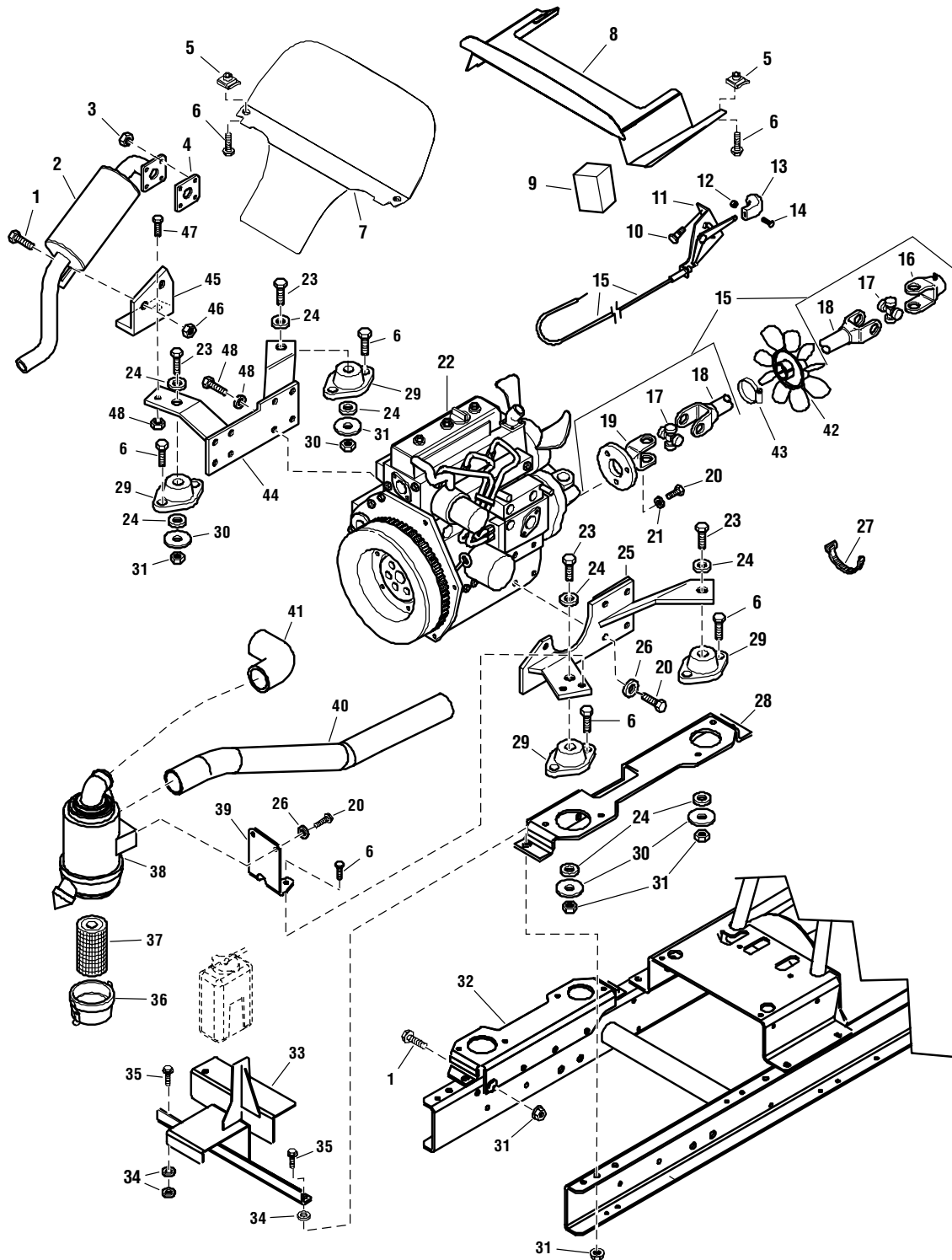
### The above parts group applies to the following Mfg. Nos.:

1694413 - Legacy XL	1694445 - Legacy XL	1694502 - 2027	1694541 - 2027
1694416 - Legacy XL	1694446 - Legacy XL	1694503 - 2027	1694549 - Legacy XL
1694417 - Legacy XL	1694447 - 2927	1694505 - 2927	1694550 - 2927
1694418 - Legacy XL	1694448 - 2927	1694506 - Legacy XL	
1694420 - Legacy XL	1694451 - Legacy XL	1694539 - 2027	
1694428 - 2927	1694501 - 2027	1694540 - 2927	

# Engine Group - 27HP Briggs & Stratton Diesel Diagram 1

986320D1

NOTE: Unless noted otherwise,  
use the standard hardware torque  
specification chart.



The above parts group applies to the following Mfg. Nos.:

- |                     |                     |
|---------------------|---------------------|
| 1694413 - Legacy XL | 1694541 - 2027      |
| 1694418 - Legacy XL | 1694549 - Legacy XL |
| 1694505 - 2927      | 1694550 - 2927      |
| 1694506 - Legacy XL |                     |
| 1694539 - 2027      |                     |
| 1694540 - 2927      |                     |

## Engine Group - 27HP Briggs & Stratton Diesel Diagram 1

REF NO	PART NO.	QTY.	DESCRIPTION
1	1934654	13	SCREW, Hex Whiz Lock Flange, 3/8-16 x 1
2	1718628	1	MUFFLER
3	*	4	NUT
4	*	1	BRACKET
5	1926018	6	NUT, Speed, 1/4-20, U Type
6	1664847	17	SCREW, Hex, Washer, Head, Taptite, 5/16-18 x 3/4
7	1725627	1	SHIELD, Hood 18GA
8	1725590	1	BAFFLE, Hood 18GA
9	1725731	2	SEAL, Foam 1-1/2 x 1-1/2, 2.8LG
10	1960578	2	SCREW, Hex, Washer Head, Taptite, 12-24 x 5/8
11	1725328	1	CONTROL, Throttle
12	1933896	1	NUT, Hex Lock, 10-24
13	1725337	1	KNOB, Slot
14	1960393	1	SCREW, Pan Head, PHILLIPS, 10-24 x 1
15	1724571	1	SHAFT ASSEMBLY, Drive (Includes Ref. Nos. 16, 17, 18 & 19)
16	*	1	YOKE, Drive Shaft
17	*	2	CROSS & BEARING KIT, Includes Grease Fitting
18	*	1	YOKE & TUBE ASSEMBLY
19	*	1	YOKE & FLANGE, Drive Shaft
20	1960347	10	CAPSCREW, Hex Head,
21	1917356	6	LOCKWASHER, Spring, 5/16
22	**	1	ENGINE, 26.5HP Briggs & Stratton Diesel, Model # 582447, Type # 0224, Trim # E2
23	1921972	4	CAPSCREW, Hex Head, 3/8-16 x 2-1/2, G5
24	1924940	8	WASHER, 3/8
25	1718657	1	MOUNT ASSEMBLY, Engine, L.H.
26	1917356	12	LOCKWASHER, Spring, 5/16
27	925094	3	TIE, Self Locking, 7.31LG
28	1724813	1	MOUNT, Engine, L.H.
29	1718655	4	MOUNT, Engine, Rear
30	1718640	4	WASHER, 1/2
31	1960680	17	NUT, Hex KEPS, 3/8-16 Conical Washer
32	1724812	1	MOUNT, Engine, R.H.
33	1725598	1	HOLD DOWN ASSEMBLY, Battery
34	1922755	7	WASHER, 3/8
35	1928727	2	SCREW, Hex, Whiz Lock, Flange, 3/8-16 x 1-1/4
36	*	1	CAP, Air Cleaner
37	*	1	FILTER, Air Cleaner
38	1719546	1	AIR CLEANER ASSEMBLY
39	1725588	1	BRACKET, Air Cleaner
40	1725630	1	HOSE, Air Inlet, 28LG
41	1726042	1	HOSE, Inlet
42	1725661	1	FAN
43	1725956	1	CLAMP, Hose, Worm
44	1718656	1	MOUNT ASSEMBLY, Engine R.H.

### Footnotes

\* Part number(s) not available at this time.

\*\* See your local Briggs & Stratton distributor for parts & service.

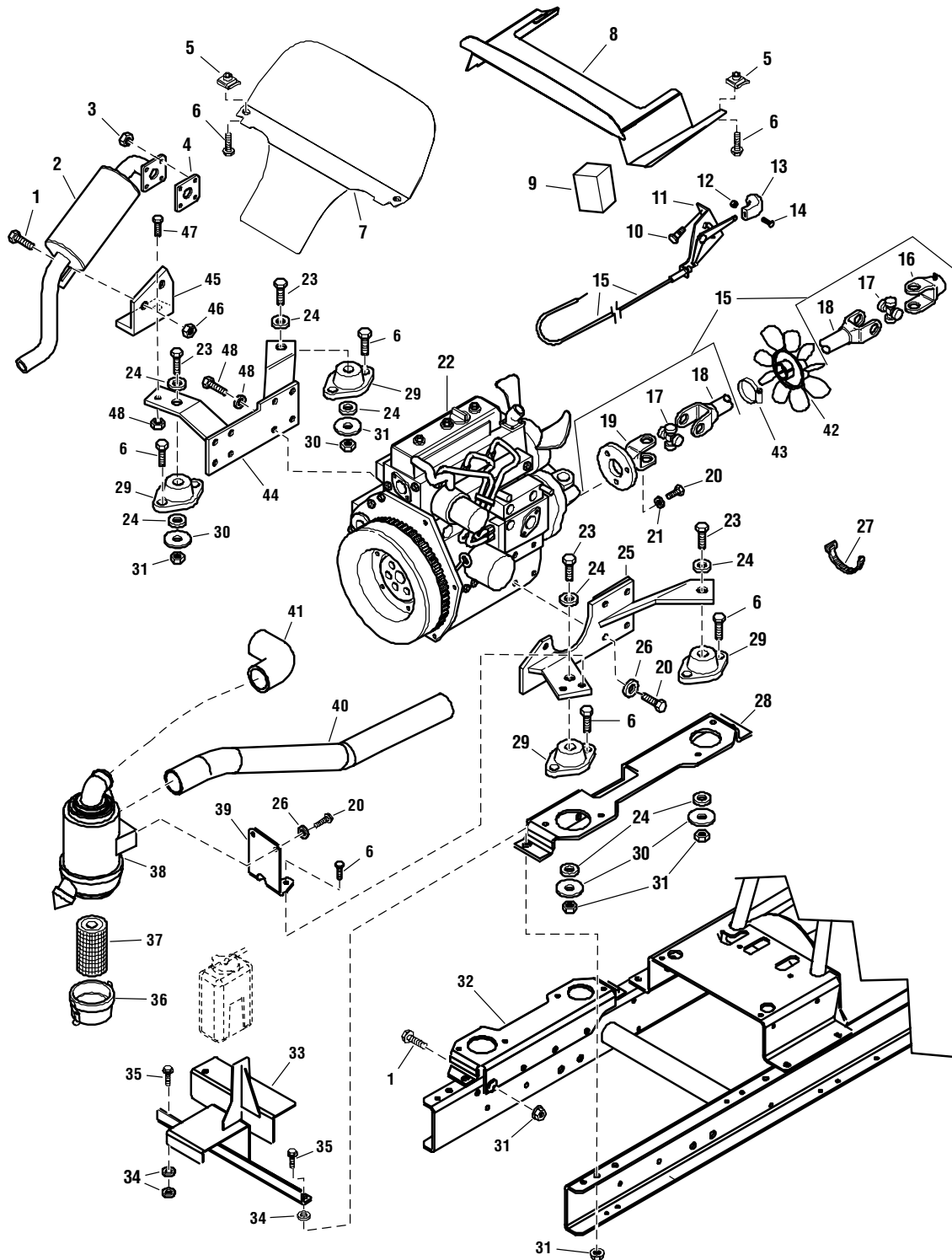
### The above parts group applies to the following Mfg. Nos.:

1694413 - Legacy XL                      1694541 - 2027  
 1694418 - Legacy XL                      1694549 - Legacy XL  
 1694505 - 2927                              1694550 - 2927  
 1694506 - Legacy XL  
 1694539 - 2027  
 1694540 - 2927

# Engine Group - 27HP Briggs & Stratton Diesel Diagram 1

986320D1

NOTE: Unless noted otherwise,  
use the standard hardware torque  
specification chart.



The above parts group applies to the following Mfg. Nos.:

- |                     |                     |
|---------------------|---------------------|
| 1694413 - Legacy XL | 1694541 - 2027      |
| 1694418 - Legacy XL | 1694549 - Legacy XL |
| 1694505 - 2927      | 1694550 - 2927      |
| 1694506 - Legacy XL |                     |
| 1694539 - 2027      |                     |
| 1694540 - 2927      |                     |

## **Engine Group - 27HP Briggs & Stratton Diesel Diagram 1**

---

<b>REF NO</b>	<b>PART NO.</b>	<b>QTY.</b>	<b>DESCRIPTION</b>
45	1718639	1	BRACKET, Muffler
46	1960687	4	NUT, Hex, Flange, 3/8-16, ESNA
47	1930595	4	SCREW, Hex, Whiz Lock, Flange 5/16-18 x 1-1/4
48	1960686	1	NUT, Hex, Flange, 5-16-18, ESNA

---

### **Footnotes**

\* Part number(s) not available at this time.

\*\* See your local Briggs & Stratton distributor for parts & service.

---

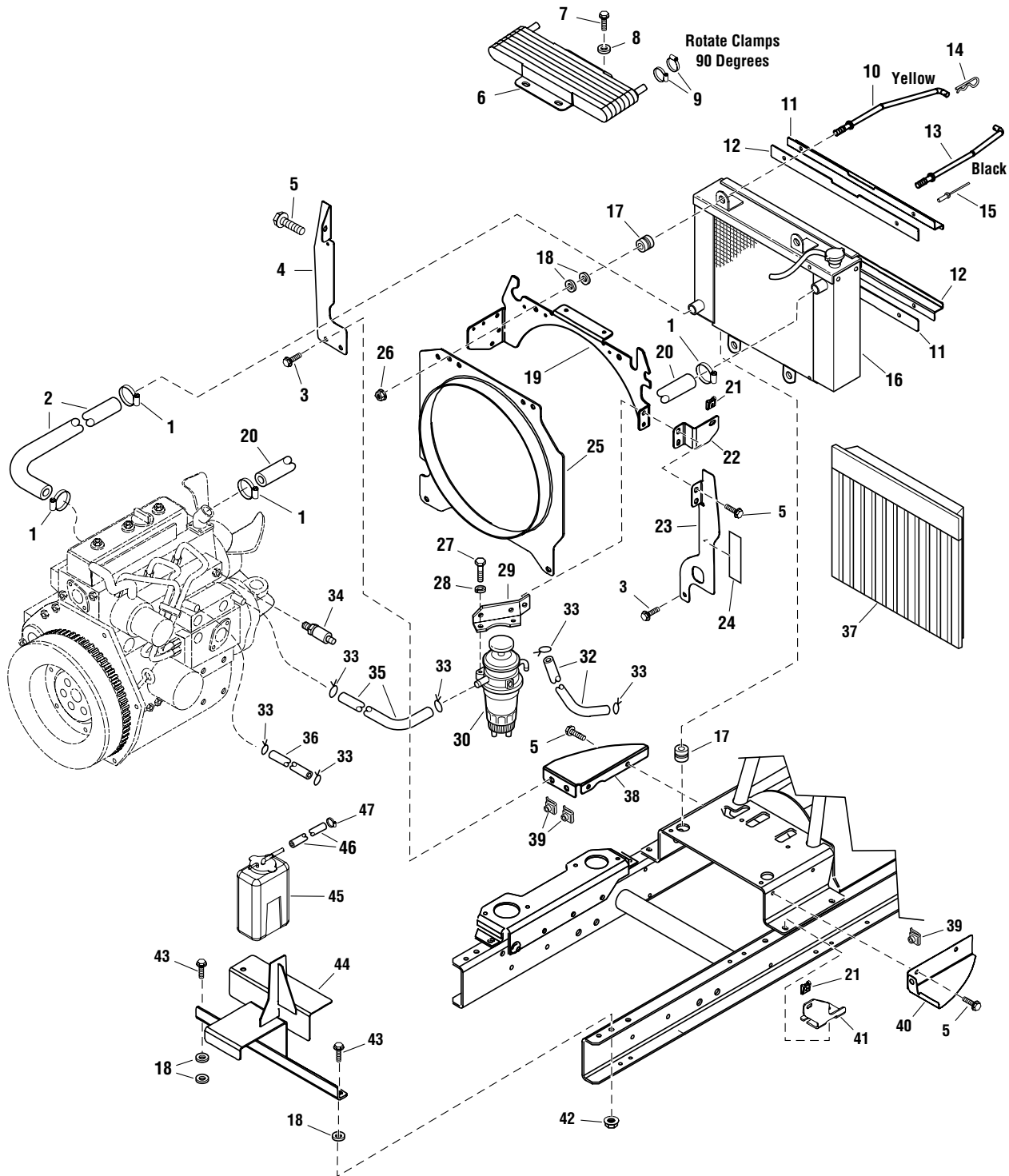
### **The above parts group applies to the following Mfg. Nos.:**

1694413 - Legacy XL                      1694541 - 2027  
1694418 - Legacy XL                      1694549 - Legacy XL  
1694505 - 2927                              1694550 - 2927  
1694506 - Legacy XL  
1694539 - 2027  
1694540 - 2927

# Engine Group - 27HP Briggs & Stratton Diesel Diagram 2

986320D2

NOTE: Unless noted otherwise,  
use the standard hardware torque  
specification chart.



The above parts group applies to the following Mfg. Nos.:

- |                     |                     |
|---------------------|---------------------|
| 1694413 - Legacy XL | 1694541 - 2027      |
| 1694418 - Legacy XL | 1694549 - Legacy XL |
| 1694505 - 2927      | 1694550 - 2927      |
| 1694506 - Legacy XL |                     |
| 1694539 - 2027      |                     |
| 1694540 - 2927      |                     |

## Engine Group - 27HP Briggs & Stratton Diesel Diagram 2

REF NO	PART NO.	QTY.	DESCRIPTION
1	1725746	4	CLAMP, Hose, Worm
2	1718629	1	HOSE, Radiator
3	1930595	4	SCREW, Hex, Whiz Lock, Flange, 5/16-16 x 1-1/4
4	1725033	1	SHIELD, R.H., 16GA
5	1664847	17	SCREW, Hex, Washer Head, Taptite, 5/16-18 x 3/4
6	1725559	1	COOLER ASSEMBLY, Oil
7	1925003	2	SCREW, Hex, Washer Head, Taptite, 1/4-20 x 1/2
8	1921319	2	WASHER, 1/4
9	1679214	4	CLAMP, Hose
10	1725098	1	ROD, Radiator, R.H.
11	1725363	2	SLIDE, Offset, 14GA
12	1725362	2	SLIDE, Screen Flat, 14GA
13	1725099	1	ROD, Radiator, L.H.
14	1722460	2	PIN, Quick
15	1675043	4	RIVET, Pop
16	1724906	1	RADIATOR
17	*	4	SPACER
18	1922755	7	WASHER, 3/4
19	1726813	1	SUPPORT, Radiator Shroud, 10GA
20	1718630	1	HOSE, Radiator
21	1725711	2	CLIP, 1/4 Turn Push
22	1725430	1	COVER, Bracket, Top, 12GA
23	1725034	1	SHIELD, L.H., 16GA
24	1717596	1	DECAL, Clean Radiator
25	1725116	1	SHROUD, Radiator
26	1960687	4	NUT, Hex, Flange, 3/8-16 ESNA
27	1950018	8	CAPSCREW, Hex Head
28	1917356	6	LOCKWASHER, Spring, 5/16
29	1725589	1	BRACKET, Fuel Filter
30	*	1	FUEL FILTER ASSEMBLY
31	*	1	FILTER, Fuel
32	1725260	1	HOSE, Fuel
33	960112	6	CLAMP, Hose, Type E
34	1718663	1	SENDER, Temperature
35	1718645	1	HOSE, Fuel
36	1725749	1	HOSE, Fuel (Cut to 71.5)
37	1725623	1	SCREEN, Corrugated, 20GA
38	1725026	1	BAFFLE, R.H., 16GA
39	1935255	3	NUT, Speed, 5/16-18, Lug Type
40	1725422	1	BAFFLE, L.H., 16GA
41	1725429	1	COVER, Bracket, Bottom
42	1960680	17	NUT, Hex, KEPS, 3/8-16 Conical Washer
43	1928727	2	SCREW, Hex, Whiz Lock, Flange, 3/8-16 x 1-1/4
44	1725598	1	HOLD DOWN ASSEMBLY, Battery

### Footnotes

\* Part number(s) not available at this time.

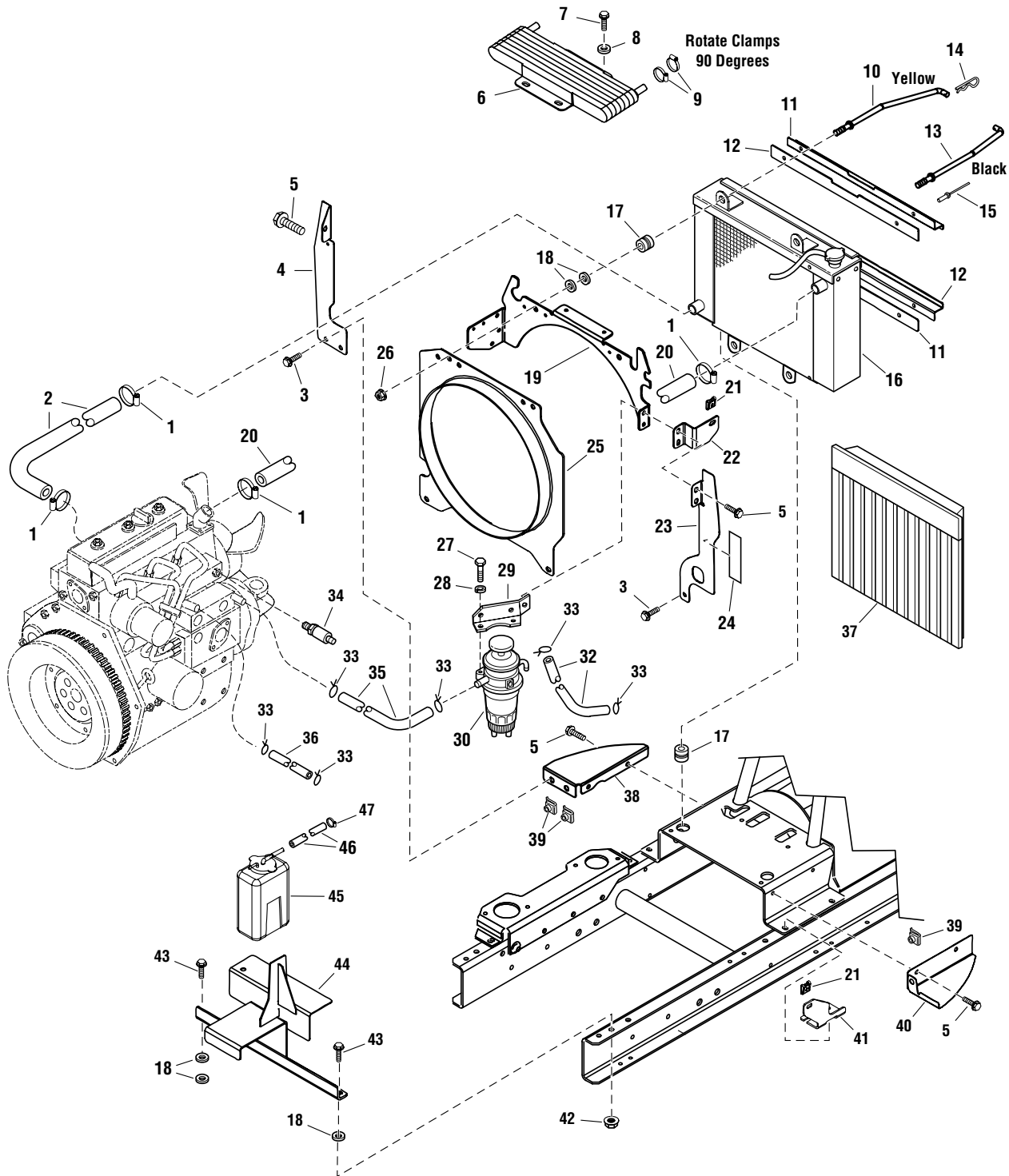
### The above parts group applies to the following Mfg. Nos.:

1694413 - Legacy XL                      1694541 - 2027  
 1694418 - Legacy XL                      1694549 - Legacy XL  
 1694505 - 2927                              1694550 - 2927  
 1694506 - Legacy XL  
 1694539 - 2027  
 1694540 - 2927

# Engine Group - 27HP Briggs & Stratton Diesel Diagram 2

986320D2

NOTE: Unless noted otherwise,  
use the standard hardware torque  
specification chart.



The above parts group applies to the following Mfg. Nos.:

- |                     |                     |
|---------------------|---------------------|
| 1694413 - Legacy XL | 1694541 - 2027      |
| 1694418 - Legacy XL | 1694549 - Legacy XL |
| 1694505 - 2927      | 1694550 - 2927      |
| 1694506 - Legacy XL |                     |
| 1694539 - 2027      |                     |
| 1694540 - 2927      |                     |



## **Engine Group - 27HP Briggs & Stratton Diesel Diagram 2**

---

<b>REF NO</b>	<b>PART NO.</b>	<b>QTY.</b>	<b>DESCRIPTION</b>
45	1718639	1	BRACKET, Muffler
46	*	1	HOSE, Radiator Overflow
47	1679061	1	CLAMP, Hose, Worm

---

### **Footnotes**

\* Part number(s) not available at this time.

---

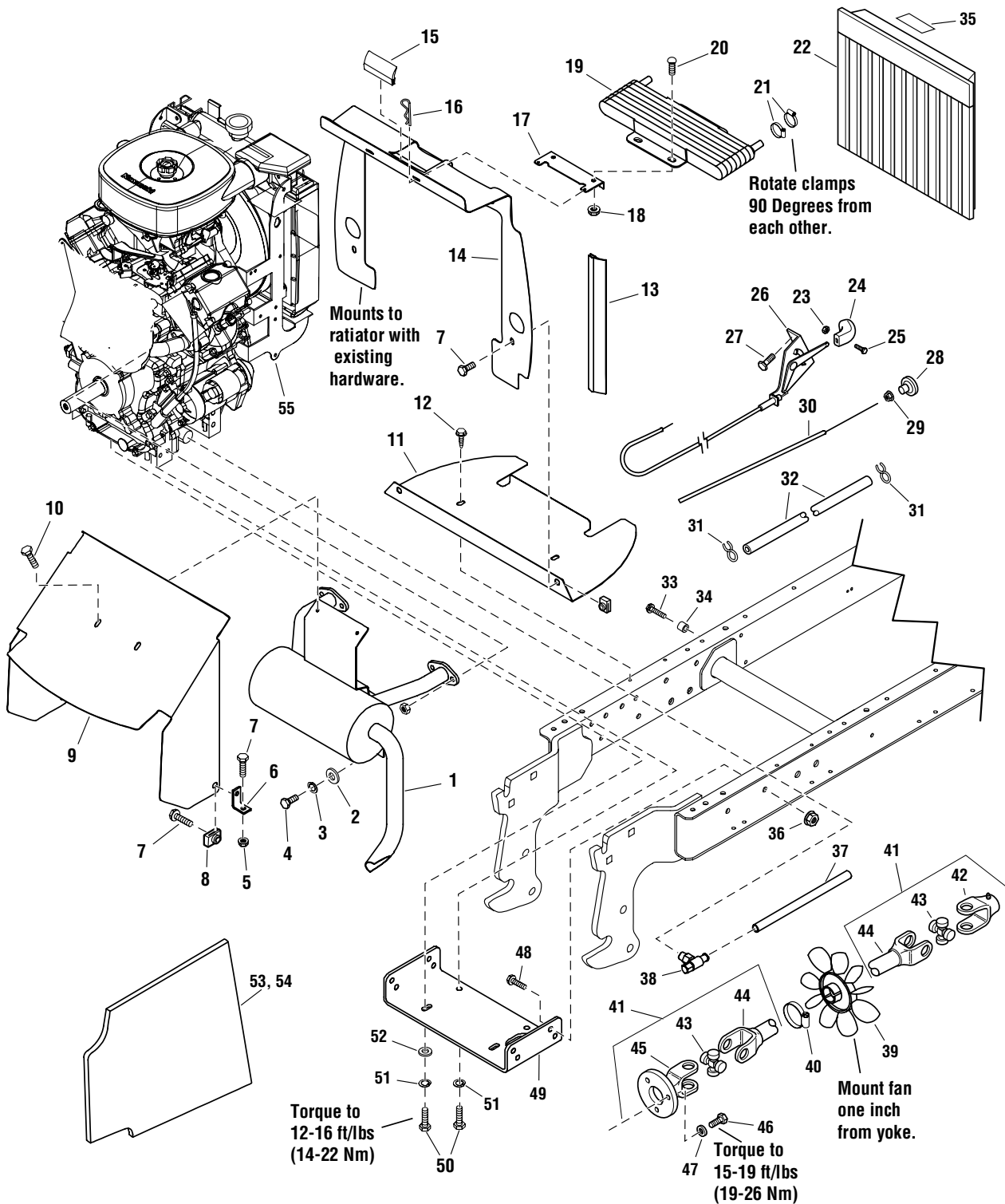
### **The above parts group applies to the following Mfg. Nos.:**

1694413 - Legacy XL                      1694541 - 2027  
1694418 - Legacy XL                      1694549 - Legacy XL  
1694505 - 2927                              1694550 - 2927  
1694506 - Legacy XL  
1694539 - 2027  
1694540 - 2927

# Engine Group - 27HP Kawasaki

986364

**NOTE:** Unless noted otherwise,  
use the standard hardware torque  
specification chart.



**The above parts group applies to the following Mfg. Nos.:**

- 1694445 - Legacy XL
- 1694446 - Legacy XL
- 1694447 - 2927
- 1694448 - 2927
- 1694451 - Legacy XL
- 1694502 - 2027
- 1694503 - 2027

## Engine Group - 27HP Kawasaki

REF NO	PART NO.	QTY.	DESCRIPTION
1	1725405	1	MUFFLER
2	1919326	2	WASHER, 5/16
3	1917356	2	LOCKWASHER, Spring 5/16
4	1950018	2	CAPSCREW, Hex Head
5	1960684	2	NUT, Hex KEPS 5/16-18
6	1668500	2	BRACKET, L.
7	1930591	6	SCREW, Hex Whiz Lock Flange, 5/16-18 x 3/4
8	1935255	4	NUT, Lug, 5/16-18
9	1725914	1	SHROUD, Muffler 18GA
10	1925003	2	SCREW, Hex Washer Head Taptite, 1/4-20 x 1/2
11	1725810	1	BAFFLE, Lower 18GA
12	1664847	2	SCREW, Hex Washer Head Taptite, 5/16-18 x 3/4
13	1717496	2	EDGING, 12 1/2LG
14	1725809	1	BAFFLE, Upper 18GA
15	1725912	1	EDGING, 15 1/2 LG
16	1960074	2	CLIP, Hair Pin
17	1725773	1	BRACKET, Cooler MTG 16GA
18	1960685	2	NUT, Hex KEPS, 1/4-20
19	1725559	1	COOLER ASSEMBLY, Oil
20	1931317	2	CARRIAGE BOLT, 1/4-20 x 3/4 G5
21	960112	2	CLAMP, Hose
21	1679214	4	CLAMP, Hose
22	1725592	1	SCREEN ASSEMBLY
23	1933896	1	NUT, Hex Lock, 10-24
24	1725337	1	KNOB, Slot
25	1960393	1	SCREW, Pan Head Phillips, #10-24 x 1
26	1725259	1	CONTROL, Throttle
27	1960578	2	SCREW, Hex Washer Head, #12-24 x 5/8
28	1716247	1	KNOB, Intermediate Thread, #10-24, 1-7/16LG
29	1960591	1	NUT, Hex KEPS #10-24
30	1716328	1	CONTROL, Choke
32	1725749	1	HOSE, Fuel
33	1933958	2	SCREW, Hex Washer Head Taptite, 1/4-20 x 1-1/8
34	1710703	2	SPACER
35	1717596	1	DECAL, Clean Radiator Legacy KAW & Diesel
36	1960680	4	NUT, Hex KEPS, 3/8-16
37	1716321	1	HOSE, Hydraulic
38	1715649	1	VALVE, Oil Drain
39	1725661	1	FAN
40	1725956	1	CLAMP, Hose
41	1725444	1	SHAFT ASSEMBLY, Drive
42	*	1	YOKE & FLANGE, Drive Shaft
43	*	2	CROSS & BEARING KIT, Includes Grease Fitting
44	*	1	YOKE & TUBE ASSEMBLY

### Footnotes

\* Part number(s) not available at this time.

\*\* See your local Kawasaki distributor for parts & service.

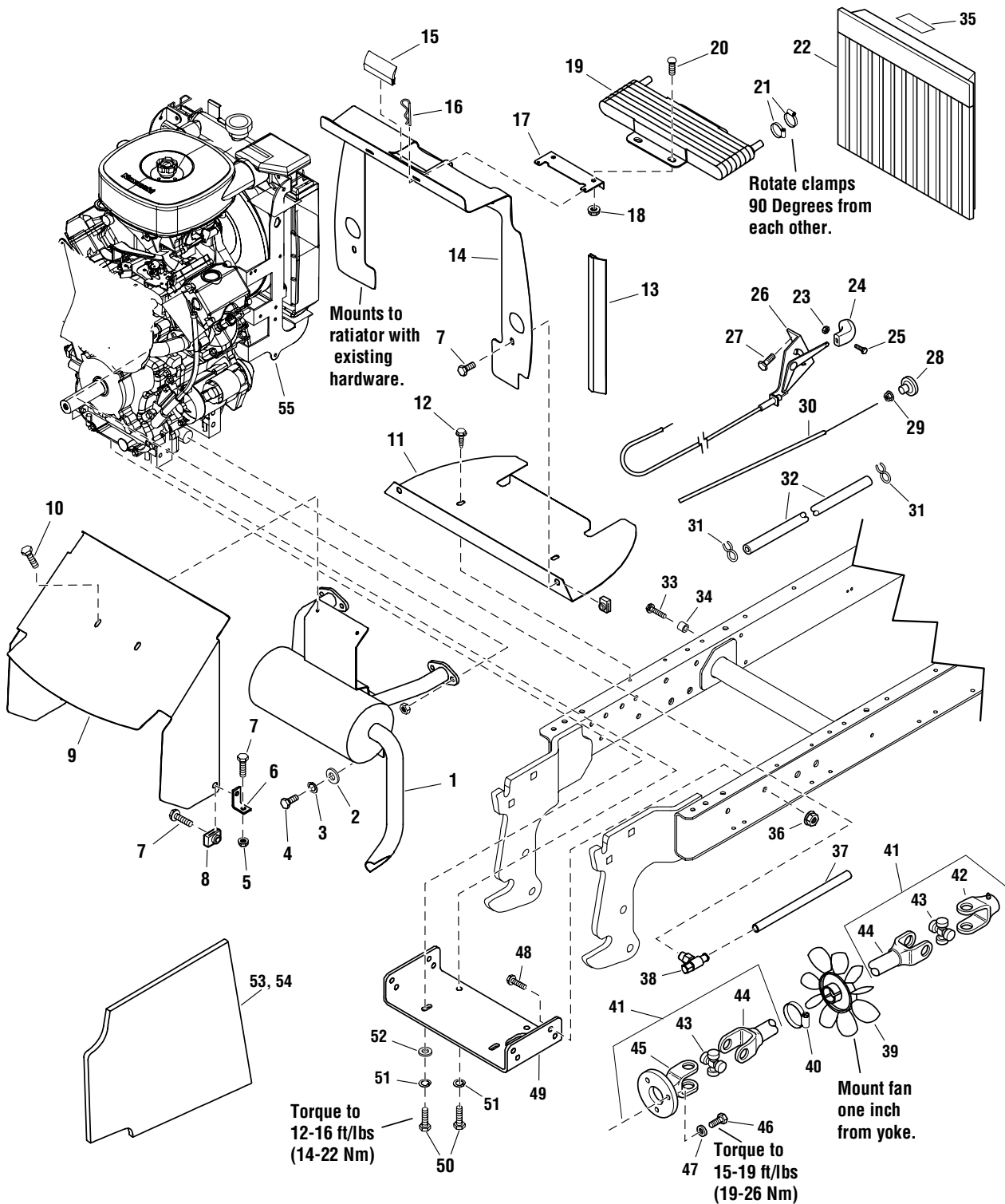
### The above parts group applies to the following Mfg. Nos.:

1694445 - Legacy XL                      1694503 - 2027  
 1694446 - Legacy XL  
 1694447 - 2927  
 1694448 - 2927  
 1694451 - Legacy XL  
 1694502 - 2027

# Engine Group - 27HP Kawasaki

986364

**NOTE:** Unless noted otherwise,  
use the standard hardware torque  
specification chart.



**The above parts group applies to the following Mfg. Nos.:**

- 1694445 - Legacy XL
- 1694446 - Legacy XL
- 1694447 - 2927
- 1694448 - 2927
- 1694451 - Legacy XL
- 1694502 - 2027
- 1694503 - 2027

## Engine Group - 27HP Kawasaki

---

REF NO	PART NO.	QTY.	DESCRIPTION
45	*	1	YOKE, Drive Shaft
46	1960573	3	CAPSCREW, Hex Head
47	1917356	3	LOCKWASHER, Spring
48	1934654	4	SCREW, Hex Whiz Lock Flange, 3/8-16 x 1
49	1725436	1	BASE, Engine
50	1950036	4	CAPSCREW, Hex Head
51	1918199	4	LOCKWASHER, Spring
52	1918266	2	WASHER, 3/4
53	1717584	1	INSULATION, Foam
54	1717585	1	INSULATION, Foam
55	**	1	ENGINE, 27HP Kawasaki Liquid Cooled Twin, Model # FD750D, Type # FD750D-AS09

### Footnotes

\* Part number(s) not available at this time.

\*\* See your local Kawasaki distributor for parts & service.

---

### The above parts group applies to the following Mfg. Nos.:

1694445 - Legacy XL                      1694503 - 2027

1694446 - Legacy XL

1694447 - 2927

1694448 - 2927

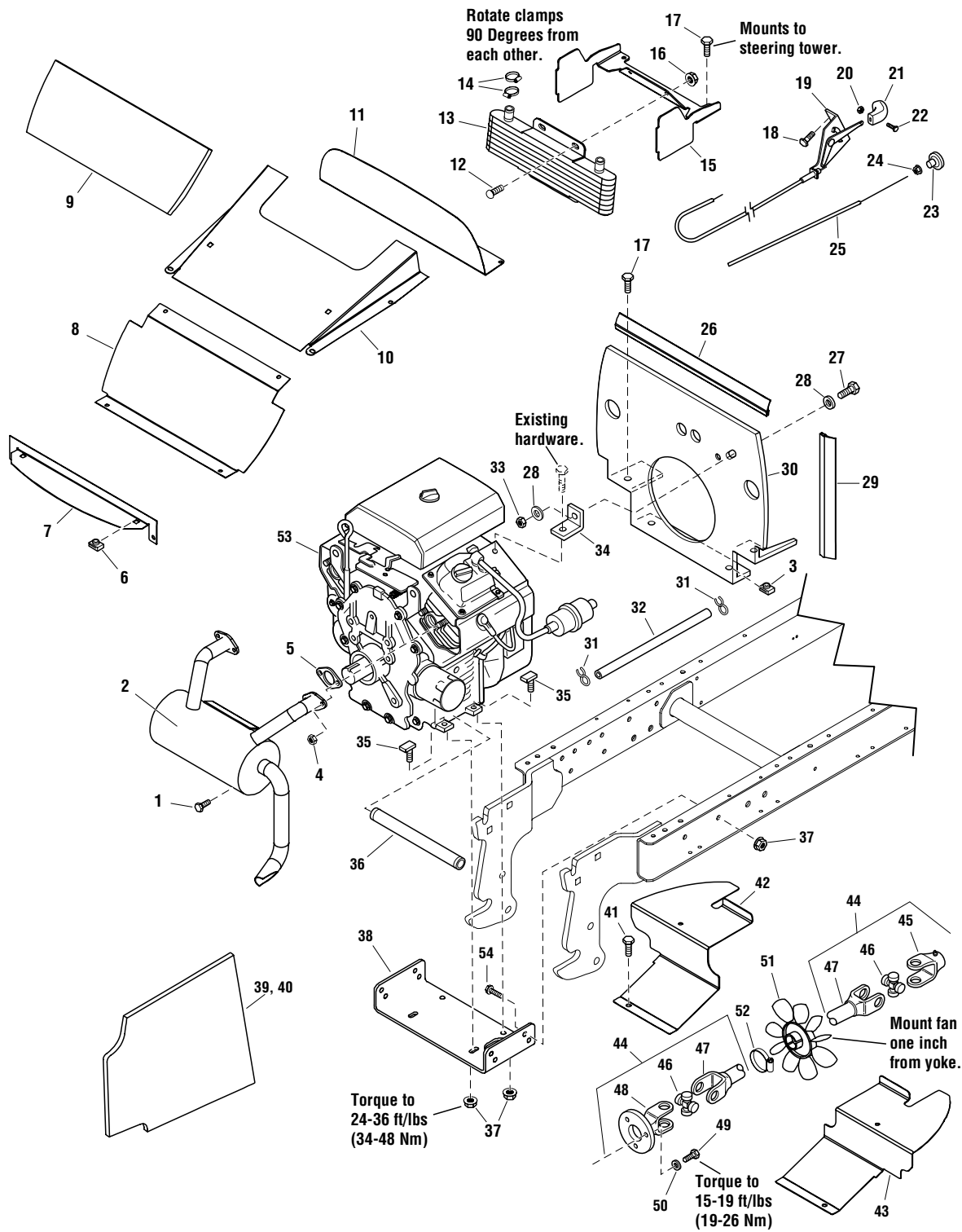
1694451 - Legacy XL

1694502 - 2027

# Engine Group - 27HP Kohler

986321

**NOTE:** Unless noted otherwise,  
use the standard hardware torque  
specification chart.



**The above parts group applies to the following Mfg. Nos.:**

- 1694416 - Legacy XL
- 1694417 - Legacy XL
- 1694420 - Legacy XL
- 1694428 - 2927

## Engine Group - 27HP Kohler

REF NO	PART NO.	QTY.	DESCRIPTION
1	1933260	2	SCREW, Hex Whiz Lock Flange, 3/8-16 X 3/4
2	1724898	1	MUFFLER, Kohler Gas
3	1935255	2	NUT, Lug, 5/16-18
4	*	4	NUT, Muffler
5	*	2	GASKET, Muffler
6	1917867	4	NUT, Retainer 1/4-20
7	1717579	1	DEFLECTOR
8	1717590	1	PLATE, Hood 20GA
9	1717586	1	INSULATION, Foam 6 1/2 x 18 1/4
10	1717498	1	SHIELD, Hood 20GA
11	1725748	1	SHIELD, Rear Hood 18GA
12	1931317	2	CARRIAGE BOLT, 1/4-20 x 3/4 G5
13	1725559	1	COOLER ASSEMBLY, Oil
14	1679214	4	CLAMP, Hose
15	1725840	1	BRACKET, Cooler 12GA
16	1960685	2	NUT, Hex KEPS, 1/4-20
17	1664847	4	SCREW, Hex Washer Head Taptite 5/16-18 x 3/4
18	1960578	2	SCREW, Hex Washer Head
19	1725259	1	CONTROL, Throttle
20	1933896	1	NUT, Hex Lock, 10-24
21	1725337	1	KNOB, Slot
22	1960393	1	SCREW, Pan Head Phillips #10-24 x 1
23	1716247	1	KNOB, Intermediate Thread #10-24 1.43LG
24	1960591	1	NUT, Hex KEPS #10-24
25	1716328	1	CONTROL, Choke
26	1717588	1	EDGING, 18.0 LG
27	1923341	1	CAPSCREW, Hex Head, 1/4-20 x 3/4 G5
28	1921319	2	WASHER, 3/4
29	1717496	2	EDGING, 12-5 LG
30	1725828	1	SHIELD, Heat 16 GA
31	960112	2	CLAMP, Hose
32	1725260	1	HOSE, Fuel
33	1920397	1	NUT, Hex Lock, ESNA 1/4-20NC-3B
34	108186	1	CLIP, "L" 1 3/8 + 7/8LEG 3/4
35	1717000	4	STUD, 3/8-16 x 1 9/10
36	1723165	1	HOSE, Oil Drain
37	1960680	8	NUT, Hex KEPS 3/8-16
38	1725436	1	BASE, Engine
39	1717584	1	INSULATION, Foam
40	1717585	1	INSULATION, Foam
41	1930591	2	SCREW, Hex Whiz Lock Flange 5/16-18 x 3/4
42	1725830	1	SHIELD, R.H. 16GA
43	1725829	1	SHIELD, L.H. 16GA
44	1724569	1	SHAFT ASSEMBLY, Drive

### Footnotes

\* Part number(s) not available at this time.

\*\* See your local Kohler distributor for parts & service.

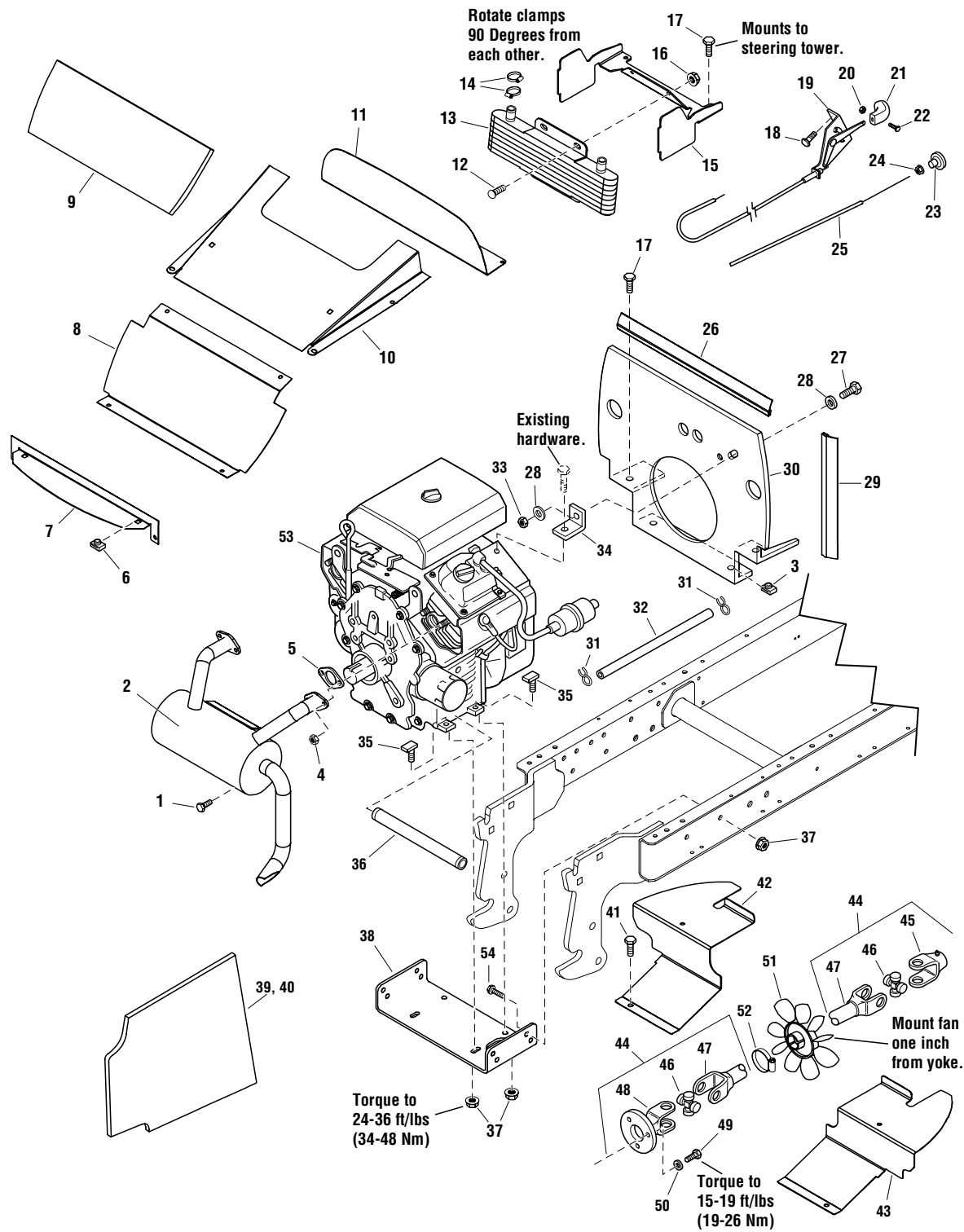
### The above parts group applies to the following Mfg. Nos.:

1694416 - Legacy XL  
 1694417 - Legacy XL  
 1694420 - Legacy XL  
 1694428 - 2927

# Engine Group - 27HP Kohler

986321

**NOTE:** Unless noted otherwise,  
use the standard hardware torque  
specification chart.



**The above parts group applies to the following Mfg. Nos.:**

- 1694416 - Legacy XL
- 1694417 - Legacy XL
- 1694420 - Legacy XL
- 1694428 - 2927



## Engine Group - 27HP Kohler

---

REF NO	PART NO.	QTY.	DESCRIPTION
45	*	1	YOKE & FLANGE, Drive Shaft
46	*	2	CROSS & BEARING KIT, Includes Grease Fitting
47	*	1	YOKE & TUBE ASSEMBLY
48	*	1	YOKE, Drive Shaft
49	1950018	4	CAPSCREW, Hex Head
50	1917356	4	LOCKWASHER, Spring
51	1725661	1	FAN
52	1725956	1	CLAMP, Hose
53	**	1	ENGINE, 27HP Kohler Gas Twin Air Cooled, Model # CH740S, Type # PS-CH740-0040
54	1934654	4	SCREW, Hex, Whiz Lock Flange 3/8-16 x 1

### Footnotes

\* Part number(s) not available at this time.

\*\* See your local Kohler distributor for parts & service.

---

### The above parts group applies to the following Mfg. Nos.:

1694416 - Legacy XL

1694417 - Legacy XL

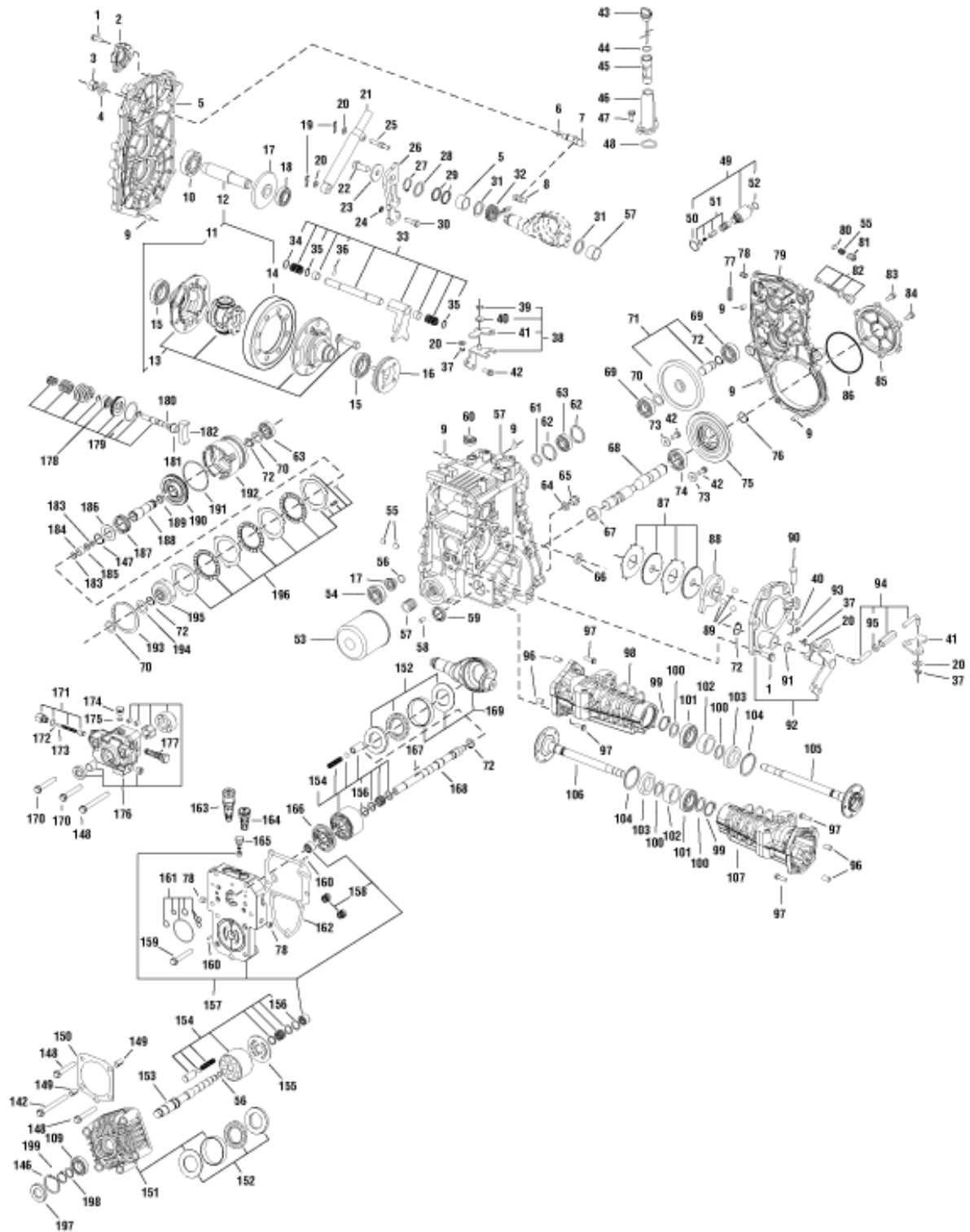
1694420 - Legacy XL

1694428 - 2927

# Transmission SERVICE PARTS - Tuff Torq K92A, 2WD

1723939

NOTE: Unless noted otherwise,  
use the standard hardware torque  
specification chart.



The above parts group applies to the following Mfg. Nos.:

1694418 - Legacy XL                      1694550 - 2927

1694420 - Legacy XL

1694428 - 2927

1694446 - Legacy XL

1694501 - 2027

1694549 - Legacy XL

## Transmission SERVICE PARTS - Tuff Torq K92A, 2WD

REF NO	PART NO.	QTY.	DESCRIPTION
1	1720867	10	BOLT 8*25
2	1726198	1	COVER PTO BRAKE
3	1708692	1	NUT 12
4	1708689	1	WASHER 12
5	1726189	1	COVER KIT MISSION
6	1708691	1	PACKING P10A
7	1726152	1	FULCRUM
8	1726151	1	SPRING CENTERING
9	1726105	6	COLLAR 8*10*11.5
10	1726178	1	BEARING TMB305
11	1726232	1	FINAL GEAR KIT
12	1726159	1	SHAFT FINAL PINION
13	1726229	1	DIFF GEAR KIT
14	1726208	1	FINAL GEAR
15	1726269	2	BEARING 6007
16	1726180	1	SLIDER DIFF LOCK
17	1726206	1	GEAR KIT INPUT
18	1726207	1	BEARING 6005SH2
19	1726238	2	PIN SNAP
20	1726243	5	WASHER 8
21	1726100	1	ABSORBER SHOCK
22	1726296	1	BOLT 14*30
23	1726098	1	WASHER 44*14*4.5
24	1726203	1	PUSH NUT 7.8
25	1726101	1	STUD
26	1726201	1	ARM CONTROL
27	1707861	1	RING 28
28	1726153	1	WASHER 29*35*1
29	1726278	2	PACKING P26
30	1726202	1	PIN ARM CONTROL
31	1720836	2	WASHER 38*38*2
32	1726102	1	FULCRUM 10
33	1726157	1	FORK KIT DIFF LOCK
34	1726239	1	SPACER 16.5*24*1
35	1707912	2	RING 16
36	1726246	1	PIN 4.0A*25
37	1726263	3	PIN 2.0*15
38	1726158	1	FULCRUM KIT DIFF
39	1718259	1	PIN 2.0*20
40	1726244	2	WASHER 10
41	1726160	2	PLATE
42	1708711	4	BOLT 8*20
43	1726214	1	CAP 20*322
44	1707786	1	PACKING P18

### Footnotes

---

#### The above parts group applies to the following Mfg. Nos.:

1694418 - Legacy XL  
1694420 - Legacy XL  
1694428 - 2927  
1694446 - Legacy XL  
1694501 - 2027  
1694549 - Legacy XL

# Transmission SERVICE PARTS - Tuff Torq K92A, 2WD

1723939

NOTE: Unless noted otherwise,  
use the standard hardware torque  
specification chart.



The above parts group applies to the following Mfg. Nos.:

1694418 - Legacy XL                      1694550 - 2927

1694420 - Legacy XL

1694428 - 2927

1694446 - Legacy XL

1694501 - 2027

1694549 - Legacy XL

## Transmission SERVICE PARTS - Tuff Torq K92A, 2WD

REF NO	PART NO.	QTY.	DESCRIPTION
45	1726215	1	PIPE OIL PORT
46	1726103	1	FILLER
47	1707890	1	TAPPING SCREW 8*20
48	1726279	1	PACKING P32
49	1726168	1	SOLENOID ASSY
50	1726169	1	GASKET SOLENOID
51	1726099	1	VALVE ASSY SOLENOID
52	1707786	1	PACKING P18
53	1726194	1	FILTER OIL
54	1726179	1	BEARING TMB303C
55	1726116	3	STRAINER
56	1726245	2	RING 12*1.6
57	1726188	2	HOUSING KIT MISSION
58	1726261	1	PIN 10*20
59	1726285	1	SEAL TC253807
60	1718052	1	VENT VALVE
61	1726283	1	PACKING 19017
62	1726259	2	RING 42
63	1707823	2	BEARING 6004
64	1726241	1	WASHER
65	1726240	1	BOLT 14*10
66	1718090	1	SEAL TC162606
67	1726273	1	NEEDLE 253216 NTN
68	1726199	1	SHAFT MID PTO
69	1707901	2	BEARING 6204
70	1726172	3	WASHER
71	1726138	1	IDLE ASSY PTO
72	1726248	5	RING 20
73	1726136	2	WASHER 8.5*24*4
74	1707904	1	BEARING 6205 NTN
75	1726135	1	GEAR Z=62T MID PTO
76	1726249	1	RING 24
77	1726106	1	O-RING
78	1726265	3	PLUG
79	1726190	1	REAR COVER
80	1726266	1	RO4 PLUG
81	1726193	1	SOLENIOD SPRING
82	1726107	1	PTO RELIEF VALVE KIT
83	1718122	3	BOLT 8*30
84	1726289	3	BOLT 8*50
85	1726191	1	REAR COVER PLATE
86	1726281	1	PACKING G130
87	1726163	1	PLATE KIT BRAKE
88	1726237	1	ACTUATOR
89	1726276	3	BALL 1/2

### Footnotes

#### The above parts group applies to the following Mfg. Nos.:

1694418 - Legacy XL  
 1694420 - Legacy XL  
 1694428 - 2927  
 1694446 - Legacy XL  
 1694501 - 2027  
 1694549 - Legacy XL

# Transmission SERVICE PARTS - Tuff Torq K92A, 2WD

1723939

NOTE: Unless noted otherwise,  
use the standard hardware torque  
specification chart.



The above parts group applies to the following Mfg. Nos.:

- 1694418 - Legacy XL
- 1694420 - Legacy XL
- 1694428 - 2927
- 1694446 - Legacy XL
- 1694501 - 2027
- 1694549 - Legacy XL
- 1694550 - 2927

## Transmission SERVICE PARTS - Tuff Torq K92A, 2WD

REF NO	PART NO.	QTY.	DESCRIPTION
90	1726264	1	PIN 10*24
91	1707785	1	PACKING P16
92	1726164	1	CAM BRAKE KIT
93	1726262	1	PIN 10
94	1726161	1	ROD ASSY.
95	1726297	1	NUT 8
96	1726155	12	COLLAR 10*12*20
97	1726292	12	BOLT 10*35
98	1726230	1	REAR AXLE HOUSING R
99	1726162	2	CIRCLIP
100	1726186	4	COLLAR 30*42*2
101	1726268	2	BEARING 6006 NTN
102	1726174	2	SLEEVE 30*39*16
103	1726156	2	SEAL TC395511
104	1726255	2	RING 55
105	1726209	1	SHAFT REAR AXLE R
106	1726233	1	SHAFT REAR AXLE L
107	1726231	1	REAR AXLE HOUSING L
109	1707809	1	BEARING 6203
142	1726287	2	BOLT 10*45
146	1726254	1	RING 40
147	1726250	1	RING 25
148	1726294	4	BOLT 10*105
149	1726117	2	PIN KNOCK 12*22
150	1726109	1	PACKING MOTOR CASE
151	1726110	1	CASE MOTOR CMP
152	1726192	2	BEARING SET THRUST
153	1726212	1	SHAFT MOTOR
154	1726196	2	BLOCK ASSY CLYL. P
155	1726113	2	PLATE VALVE M
156	1726258	1	RING 24
157	1726211	1	CENTERCASE ASSY
158	1726187	1	BODY ASSY SUCTION
159	1726286	2	BOLT 10*65
160	1726114	2	PIN 4*13.8
161	1726137	5	PACKING KIT
162	1726104	1	CENTERCASE PACKING
163	1726210	1	RELIEF ASSY TOW 32
164	1726118	1	VALVE ASSY CHECK R
165	1726115	1	RELEASE ASSY IMPL
166	1726112	1	PLATE VALVE P
167	1726242	1	KEY
168	1726195	1	PUMP SHAFT
169	1726213	1	SHIFT CMP
170	1726293	2	BOLT 10*70

### Footnotes

---

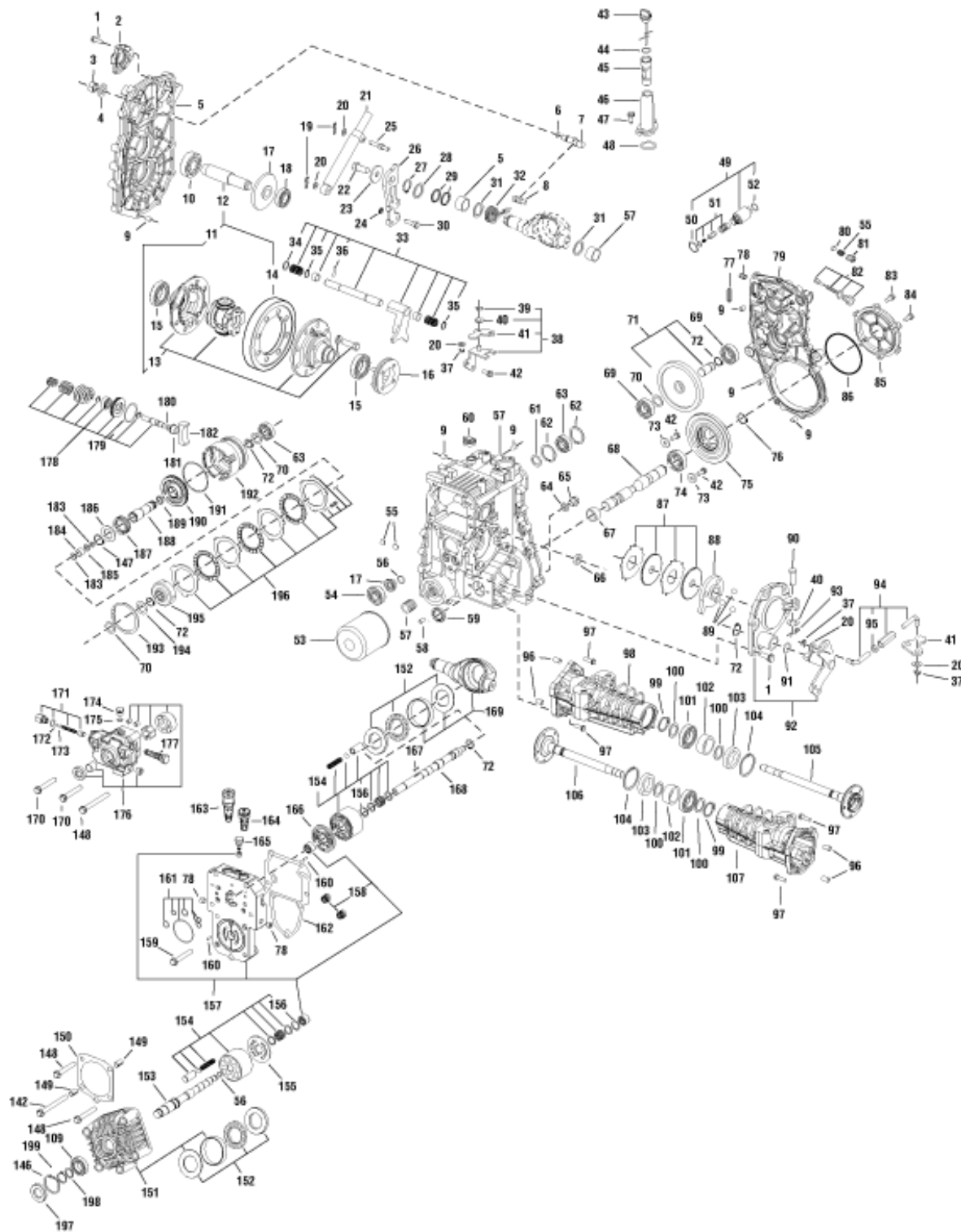
#### The above parts group applies to the following Mfg. Nos.:

1694418 - Legacy XL                    1694550 - 2927  
1694420 - Legacy XL  
1694428 - 2927  
1694446 - Legacy XL  
1694501 - 2027  
1694549 - Legacy XL

# Transmission SERVICE PARTS - Tuff Torq K92A, 2WD

1723939

NOTE: Unless noted otherwise,  
use the standard hardware torque  
specification chart.



The above parts group applies to the following Mfg. Nos.:

- 1694418 - Legacy XL
- 1694420 - Legacy XL
- 1694428 - 2927
- 1694446 - Legacy XL
- 1694501 - 2027
- 1694549 - Legacy XL
- 1694550 - 2927



## Transmission SERVICE PARTS - Tuff Torq K92A, 2WD

REF NO	PART NO.	QTY.	DESCRIPTION
171	1726141	1	VALVE ASSY
172	1726150	1	SHIM 7*0.2
173	1726185	1	SHIM T=0.3
174	1726139	1	PLUG 1/2-2OUNF
175	1726284	1	PACKING AS 905
176	1726200	1	BODY ASSY PUMP
177	1726140	1	VAVLE ASSY REDUCING
178	1726197	1	BRAKE KIT PTO
179	1726282	1	PACKING 2045
180	1726277	1	PACKING P10
181	1726129	1	COLLAR BRAKE PIN
182	1726130	1	SHOE PTO BRAKE
183	1726133	2	RING 12
184	1726126	1	NEEDLE 121718
185	1726127	1	WASHER 13*17*1
186	1726131	1	WASHER 25*42*2
187	1726125	1	SPRING PTO RETURN
188	1726121	1	SHAFT CLUTCH
189	1726134	1	RING SEAL 17203
190	1726123	1	PISTON
191	1726280	1	PACKING G75
192	1726124	1	GEAR CLUTCH Z=39
193	1726257	1	RING 80
194	1726132	1	WASHER 20*34*1
195	1726122	1	COLLAR SPLINE
196	1726120	1	DISC KIT FRICTION
197	1726371	1	SEAL CAP 40
198	1726119	1	WASHER 17*23*1
199	1726247	1	RING 17

### Footnotes

---

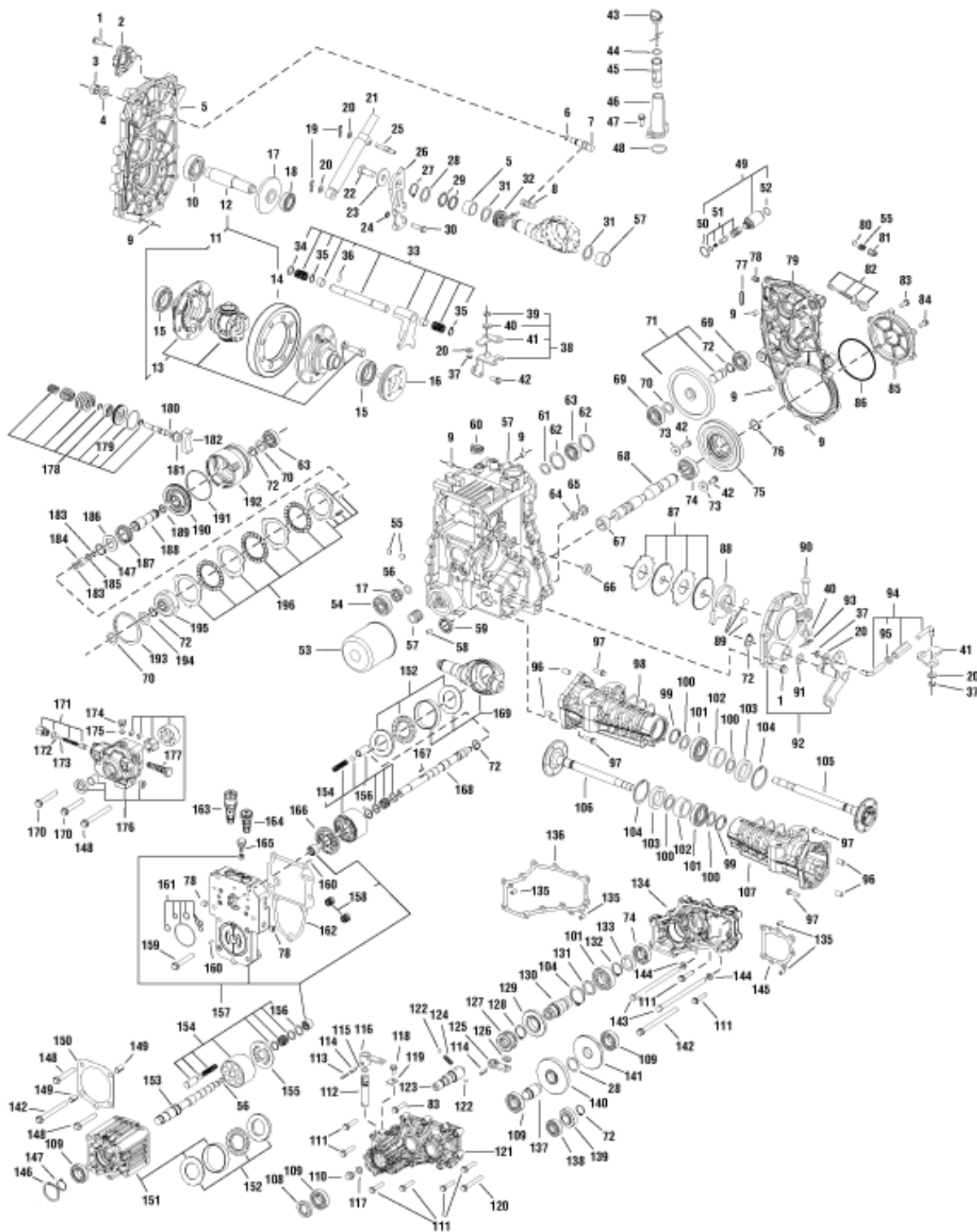
#### The above parts group applies to the following Mfg. Nos.:

1694418 - Legacy XL                      1694550 - 2927  
1694420 - Legacy XL  
1694428 - 2927  
1694446 - Legacy XL  
1694501 - 2027  
1694549 - Legacy XL

# Transmission SERVICE PARTS - Tuff Torq K92B, 4WD

1723940

NOTE: Unless noted otherwise,  
use the standard hardware torque  
specification chart.



The above parts group applies to the following Mfg. Nos.:  
1694417 - Legacy XL

## Transmission SERVICE PARTS - Tuff Torq K92B, 4WD

REF NO	PART NO.	QTY.	DESCRIPTION
1	1720867	9	BOLT 8*25
2	1726198	3	COVER PTO BRAKE
3	1708692	1	NUT 12
4	1708689	1	WASHER 12
5	1726189	1	COVER KIT MISSION
6	1708691	1	PACKING P10A
7	1726152	1	FULCRUM
8	1726151	1	SPRING CENTERING
9	1726105	6	COLLAR 8*10*11.5
10	1726178	1	BEARING TMB305
11	1726232	1	FINAL GEAR KIT
12	1726159	1	SHAFT FINAL PINION
13	1726229	1	DIFF GEAR KIT
14	1726208	1	FINAL GEAR
15	1726269	2	BEARING 6007
16	1726180	1	SLIDER DIFF LOCK
17	1726206	1	GEAR KIT INPUT
18	1726207	1	BEARING 6005SH2
19	1726238	2	PIN SNAP
20	1726243	5	WASHER 8
21	1726100	1	ABSORBER SHOCK
22	1726296	1	BOLT 14*30
23	1726098	1	WASHER 44*14*4.5
24	1726203	1	PUSH NUT 7.8
25	1726101	1	STUD
26	1726201	1	ARM CONTROL
27	1707861	1	RING 28
28	1726153	2	WASHER 29*35*1
29	1726278	2	PACKING P26
30	1726202	1	PIN ARM CONTROL
31	1720836	2	WASHER 38*38*2
32	1726102	1	FULCRUM 10
34	1726239	1	SPACER 16.5*24*1
35	1707912	1	RING 16
33	1726157	1	FORK KIT DIFF LOCK
36	1726246	2	PIN 4.0A*25
37	1726263	3	PIN 20.*15
38	1726158	2	FULCRUM KIT DIFF
39	1718259	1	PIN 2.0*20
40	1726244	1	WASHER 10
41	1726160	2	PLATE
42	1708711	2	BOLT 8*20
43	1726214	1	CAP 20*322
44	1707786	1	PACKING P18

### Footnotes

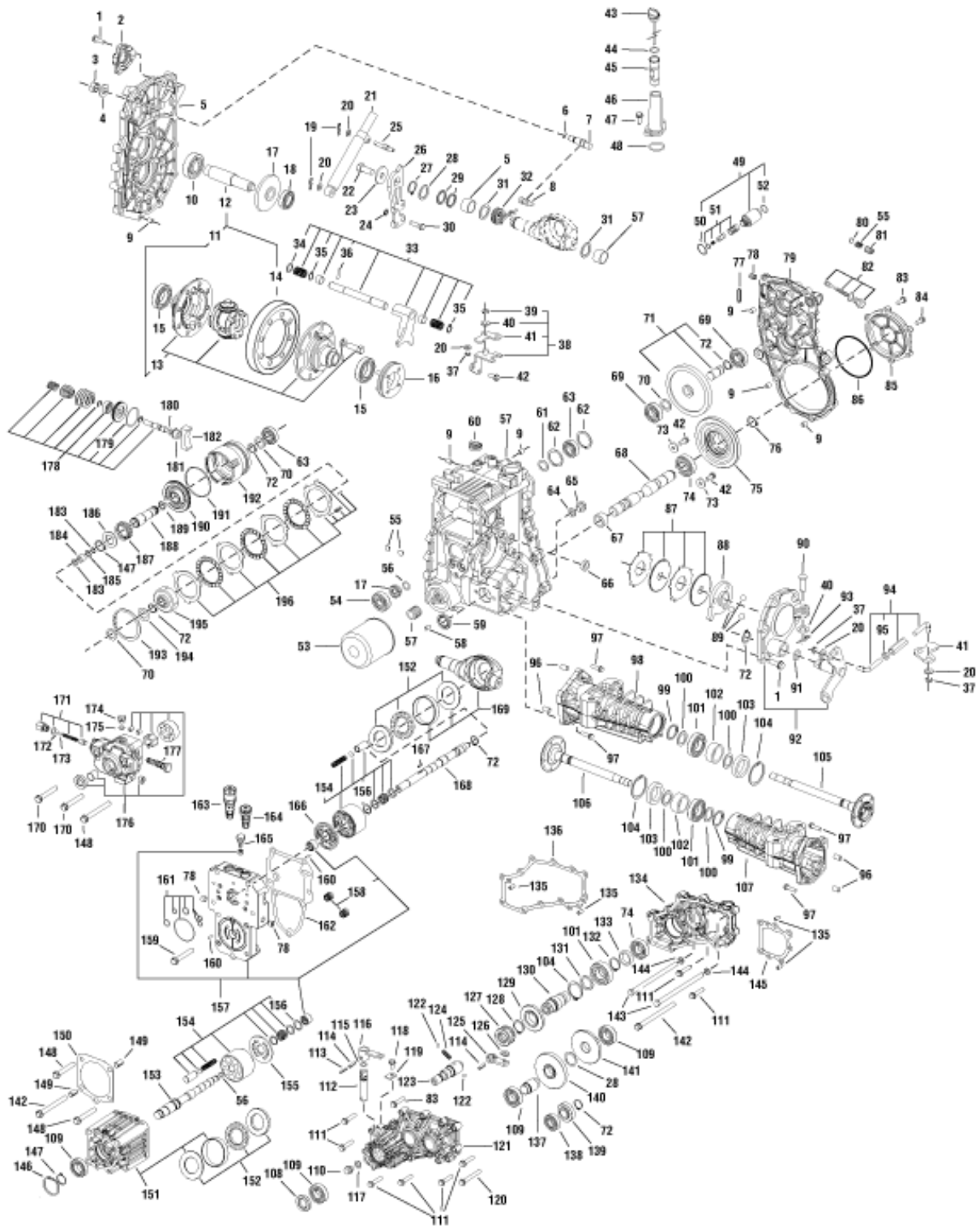
The above parts group applies to the following Mfg. Nos.:

1694417 - Legacy XL

# Transmission SERVICE PARTS - Tuff Torq K92B, 4WD

1723940

NOTE: Unless noted otherwise,  
use the standard hardware torque  
specification chart.



The above parts group applies to the following Mfg. Nos.:  
1694417 - Legacy XL

## Transmission SERVICE PARTS - Tuff Torq K92B, 4WD

REF NO	PART NO.	QTY.	DESCRIPTION
45	1726215	1	PIPE OIL PORT
46	1726103	1	FILLER
47	1707890	1	TAPPING SCREW 8*20
48	1726279	1	PACKING P32
49	1726168	1	SOLENOID ASSY
50	1726169	1	GASKET SOLENOID
51	1726099	1	VALVE ASSY SOLENOID
52	1707786	1	PACKING P18
53	1726194	1	FILTER OIL
54	1726179	1	BEARING TMB303C
55	1726116	3	STRAINER
56	1726245	2	RING 12.6
57	1726188	1	HOUSING KIT MISSION
58	1726261	1	PIN 10*20
59	1726285	1	SEAL TC253807
60	1718052	1	VENT VALVE
61	1726283	1	PACKING 19017
62	1726259	2	RING 42
63	1707823	2	BEARING 6004
64	1726241	1	WASHER
65	1726240	1	BOLT 14*10
66	1718090	1	SEAL TC162606
67	1726273	1	NEEDLE 253216 NTN
68	1726199	1	SHAFT MID PTO
69	1707901	2	BEARING 6204
70	1726172	3	WASHER
71	1726138	1	IDLE ASSY PTO
72	1726248	6	RING 20
73	1726136	2	WASHER 8.5*24*4
74	1707904	2	BEARING 6205
75	1726135	1	GEAR Z=62T MID PTO
76	1726249	1	RING 24
77	1726106	1	O-RING
78	1726265	3	PLUG
79	1726190	1	REAR COVER
80	1726266	1	RO4 PLUG
81	1726193	1	SOLENIOD SPRING
82	1726107	1	PTO RELIEF VALVE KIT
83	1718122	4	BOLT 8*30
84	1726289	3	BOLT 8*50
85	1726191	1	REAR COVER PLATE
86	1726281	1	PACKING G130
87	1726163	1	PLATE KIT BRAKE
88	1726237	1	ACTUATOR
89	1726276	3	BALL 1/2

### Footnotes

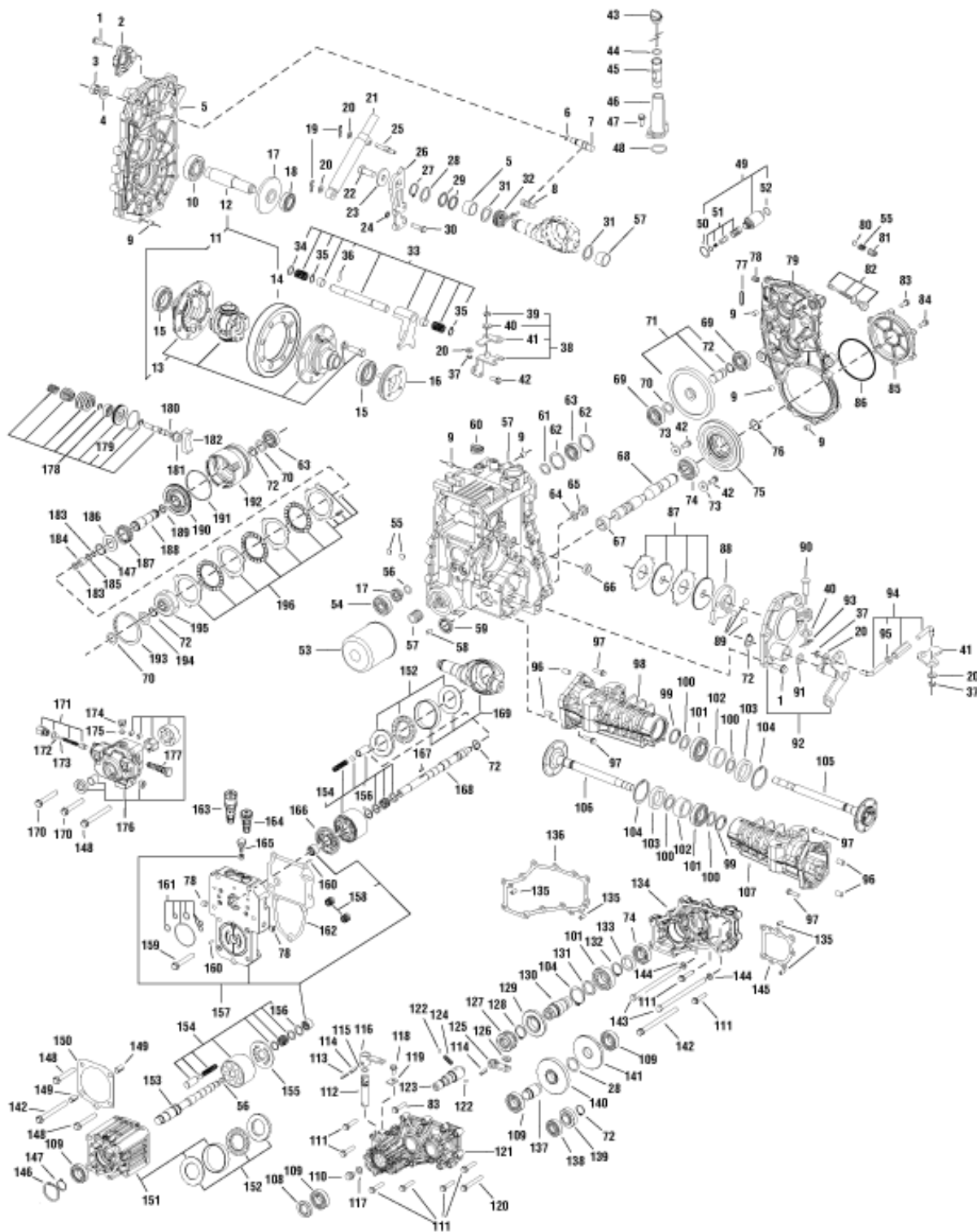
The above parts group applies to the following Mfg. Nos.:

1694417 - Legacy XL

# Transmission SERVICE PARTS - Tuff Torq K92B, 4WD

1723940

NOTE: Unless noted otherwise,  
use the standard hardware torque  
specification chart.



The above parts group applies to the following Mfg. Nos.:  
1694417 - Legacy XL

## Transmission SERVICE PARTS - Tuff Torq K92B, 4WD

REF NO	PART NO.	QTY.	DESCRIPTION
90	1726264	1	PIN 10*24
91	1707785	1	PACKING P16
92	1726164	1	CAM BRAKE KIT
93	1726262	1	PIN 10
94	1726161	1	ROD ASSY.
95	1726297	1	NUT 8
96	1726155	12	COLLAR 10*12*20
97	1726292	12	BOLT 10*35
98	1726230	1	REAR AXLE HOUSING R
99	1726162	2	CIRCLIP
100	1726186	4	COLLAR 30*42*2
101	1726268	3	BEARING 6006
102	1726174	2	SLEEVE 30*39*16
103	1726156	2	SEAL TC395511
104	1726255	3	RING 55
105	1726209	1	SHAFT REAR AXLE R
106	1726233	1	SHAFT REAR AXLE L
107	1726231	1	REAR AXLE HOUSING L
108	1708708	1	SEAL TC254208
109	1707862	4	BEARING 6005
110	1726182	1	BOLT M12*12
111	1707897	12	BOLT 8*40
112	1726221	1	SHAFT SHIFT 4WD
113	1707893	1	PIN 3.5A*25
114	1718097	2	PIN 6.0A*25
115	1720872	1	PACKING P12.5
116	1726204	1	ARM SHIFT 4WD
117	1726181	1	GASKET 20*12*2
118	1726288	1	BOLT 8*16
119	1707780	1	PLATE KEEP
120	1726290	1	BOLT 8*70
121	1726220	1	FRONT COVER
122	1726274	2	BALL 1/4
123	1726234	1	SHAFT FRONT DRIVE
124	1726173	1	SPRING 21.2
125	1726235	1	ARM SHIFT 4WD
126	1726236	1	BLOCK SHIFT FRONT
127	1726184	1	COLLAR FRONT SHIFT
128	1726252	1	RING 35
129	1726226	1	GEAR 26T 4WD
130	1726227	1	SHAFT 4WD
131	1726183	1	COLLAR 30*38*4
132	1726251	1	RING 29
133	1726228	1	COLLAR 30*38*9.2
134	1726218	1	CENTER PLATE

### Footnotes

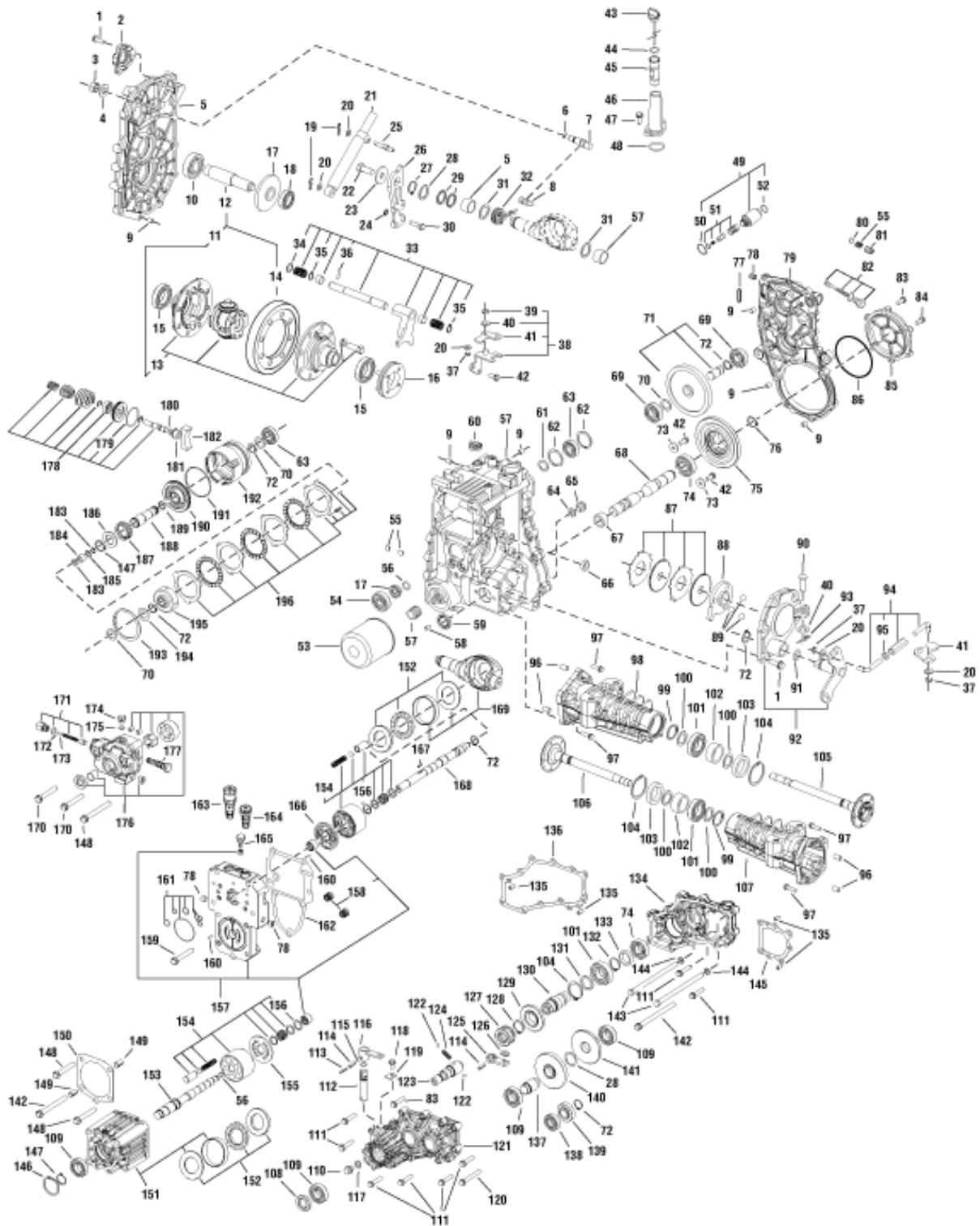
The above parts group applies to the following Mfg. Nos.:

1694417 - Legacy XL

# Transmission SERVICE PARTS - Tuff Torq K92B, 4WD

1723940

NOTE: Unless noted otherwise,  
use the standard hardware torque  
specification chart.



The above parts group applies to the following Mfg. Nos.:  
1694417 - Legacy XL



## Transmission SERVICE PARTS - Tuff Torq K92B, 4WD

REF NO	PART NO.	QTY.	DESCRIPTION
135	1720848	4	PIN 8*16
136	1726219	1	PK 4WD GEAR BOX
137	1726224	1	SHAFT REDUCTION 4WD
138	1726267	1	BEARING 6004
139	1726222	1	GEAR 13T MOTOR
140	1726225	1	GEAR 34T 4WD
141	1726223	1	GEAR 30T 4WD
142	1726287	3	BOLT 10*145
143	1726295	2	BOLT 10*180
144	1726260	2	WASHER 10
145	1726205	1	PACKING FRONT COVER
146	1720787	1	RING 47
147	1726250	2	RING 25
148	1726294	4	BOLT 10*105
149	1726117	2	PIN KNOCK 12*22
150	1726109	1	PACKING MOTOR CASE
151	1726110	1	MOTOR CASE CMP.
152	1726192	2	BEARING SET THRUST
153	1726216	1	SHAFT MOTOR
154	1726196	2	BLOCK ASSY. CYL. P
155	1726113	1	PLATE VALVE M
156	1726258	2	RING 24
157	1726211	1	CENTERCASE ASSY.
158	1726187	1	BODY ASSY. SUCTION
159	1726286	2	BOLT 10*65
160	1726114	2	PIN 4*13.8
161	1726137	1	PACKING KIT
162	1726104	5	CENTERCASE PACKING
163	1726210	1	RELIEF ASSY. TOW 32
164	1726118	1	VALVE ASSY. CHECK R
165	1726115	1	RELEASE ASSY IMPLE
166	1726112	1	PLATE VAVLE P
167	1726242	1	KEY
168	1726195	1	PUMP SHAFT
169	1726213	1	SHIFT CMP.
170	1726293	2	BOLT 10*70
171	1726141	1	VALVE ASSY.
172	1726150	1	SHIM 7*0.2
173	1726185	1	SHIM T=0.3
174	1726139	1	PLUG 1/2OUNF
175	1726284	1	PACKING AS 905
176	1726200	1	BODY ASSY. PUMP
177	1726140	1	VALVE ASSY. REDUCING
178	1726197	1	BRAKE KIT PTO
179	1726282	1	PACKING 2045

### Footnotes

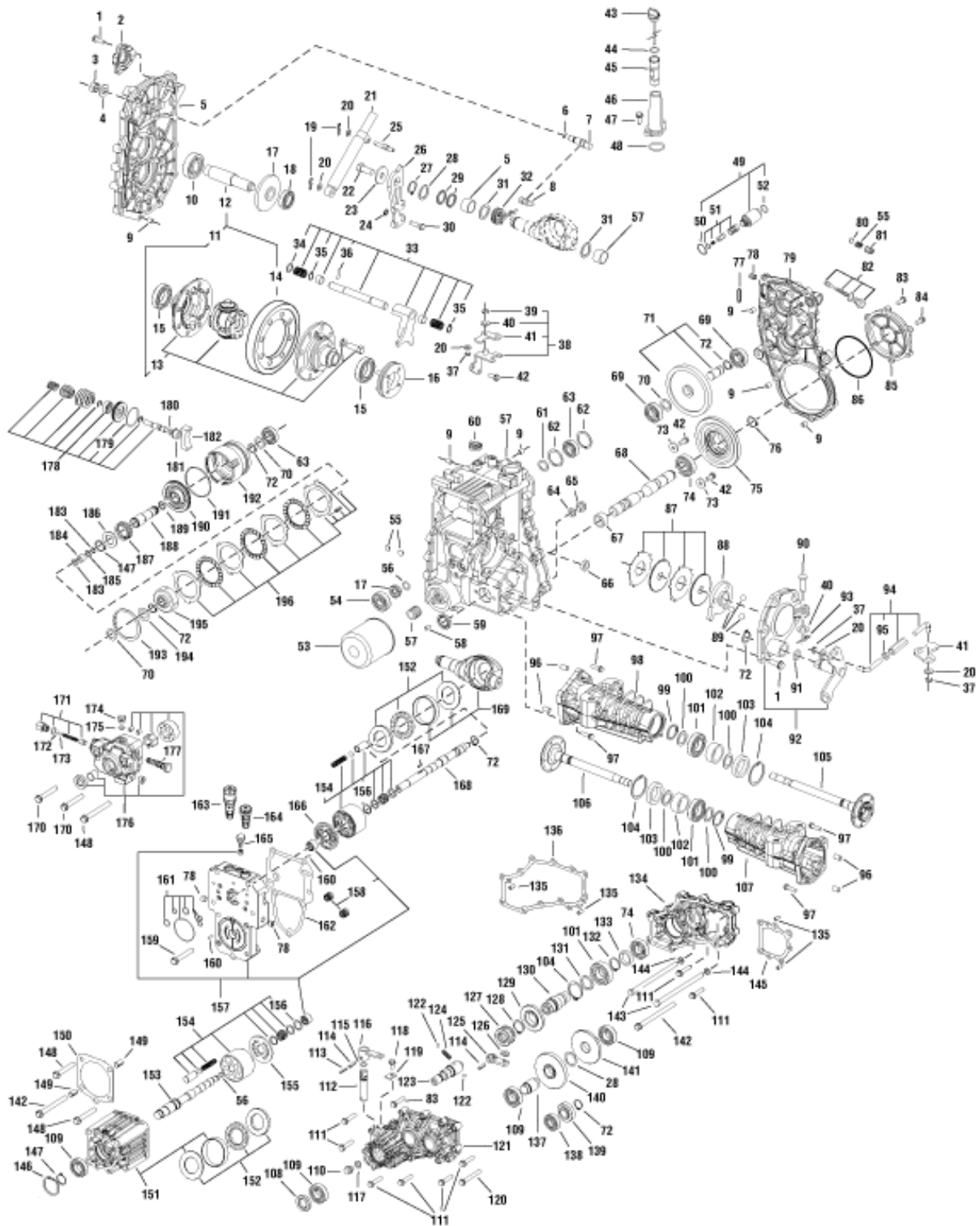
The above parts group applies to the following Mfg. Nos.:

1694417 - Legacy XL

# Transmission SERVICE PARTS - Tuff Torq K92B, 4WD

1723940

NOTE: Unless noted otherwise,  
use the standard hardware torque  
specification chart.



The above parts group applies to the following Mfg. Nos.:  
1694417 - Legacy XL

## **Transmission SERVICE PARTS - Tuff Torq K92B, 4WD**

---

<b>REF NO</b>	<b>PART NO.</b>	<b>QTY.</b>	<b>DESCRIPTION</b>
180	1726277	1	PACKING P10
181	1726129	1	COLLAR BRAKE PIN
182	1726130	1	SHOE PTO BRAKE
183	1726133	2	RING 12
184	1726126	1	NEEDLE 121718
185	1726127	1	WASHER 13*17*1
186	1726131	1	WASHER 25*42*2
187	1726125	1	SPRING PTO RETURN
188	1726121	1	SHAFT CLUTCH
189	1726134	1	RING SEAL 17203
190	1726123	1	PISTON
191	1726280	1	PACKING G75
192	1726124	1	GEAR CLUTCH Z=39
193	1726257	1	RING 80
194	1726132	1	WASHER 20*34*1
195	1726122	1	COLLAR SPLINE
196	1726120	1	DISC KIT FRICTION

### **Footnotes**

---

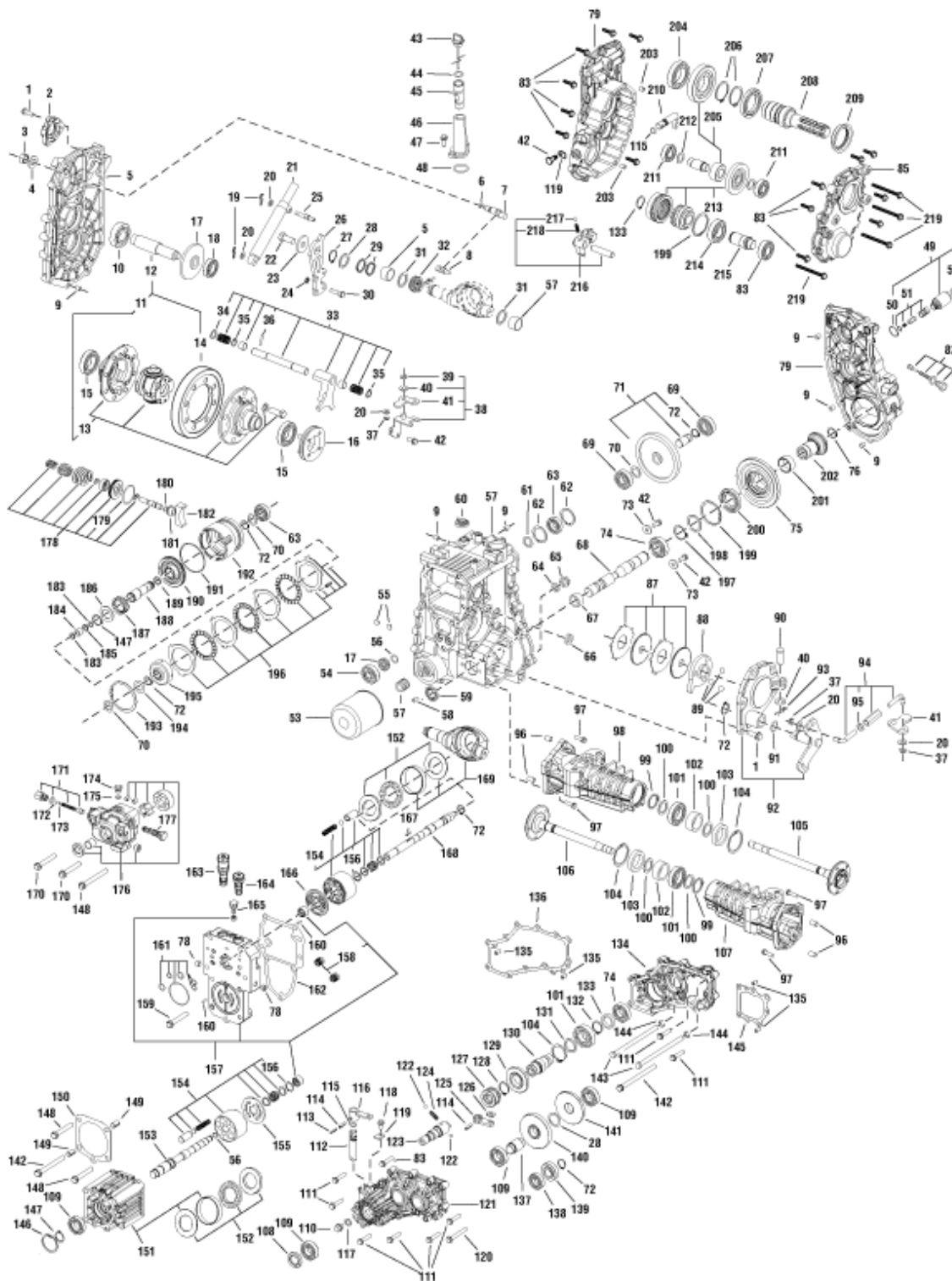
**The above parts group applies to the following Mfg. Nos.:**

1694417 - Legacy XL

# Transmission SERVICE PARTS - Tuff Torq K92C, 4WD 540

NOTE: Unless noted otherwise,  
use the standard hardware torque  
specification chart.

1724561



**The above parts group applies to the following Mfg. Nos.:**

- |                     |                     |                |
|---------------------|---------------------|----------------|
| 1694413 - Legacy XL | 1694502 - 2027      | 1694541 - 2027 |
| 1694416 - Legacy XL | 1694503 - 2027      |                |
| 1694445 - Legacy XL | 1694505 - 2927      |                |
| 1694447 - 2927      | 1694506 - Legacy XL |                |
| 1694448 - 2927      | 1694539 - 2027      |                |
| 1694451 - Legacy XL | 1694540 - 2927      |                |

## Transmission SERVICE PARTS - Tuff Torq K92C, 4WD 540

REF NO	PART NO.	QTY.	DESCRIPTION
1	1720867	9	BOLT 8*25
2	1726198	1	COVER PTO BRAKE
3	1708692	1	NUT 12
4	1708689	1	WASHER 12
5	1726189	1	COVER KIT MISSION
6	1708691	1	PACKING P10A
7	1726152	1	FULCRUM
8	1726151	1	SPRING CENTERING
9	1726105	6	COLLAR 8*10*11.5
10	1726178	1	BEARING TMB305
11	1726232	1	FINAL GEAR KIT
12	1726159	1	SHAFT FINAL PINION
13	1726229	1	DIFF GEAR KIT
14	1726208	1	FINAL GEAR
15	1726269	2	BEARING 6007
16	1726180	1	SLIDER DIFF LOCK
17	1726206	1	GEAR KIT INPUT
18	1726207	1	BEARING 6005SH2
19	1726238	2	PIN SNAP
20	1726243	5	WASHER 8
21	1726100	1	ABSORBER SHOCK
22	1726296	1	BOLT 14*30
23	1726098	1	WASHER 44*14*4.5
24	1726203	1	PUSH NUT 7.8
25	1726101	1	STUD
26	1726201	1	ARM CONTROL
27	1707861	1	RING 28
28	1726153	2	WASHER 29*35*1
29	1726278	2	PACKING P26
30	1726202	1	PIN ARM CONTROL
31	1720836	2	WASHER 38*38*2
32	1726102	1	FULCRUM 10
33	1726157	1	FORK KIT DIFF LOCK
34	1726239	1	SPACER 16.5*24*1
35	1707912	1	RING 16
36	1726246	2	PIN 4.0A*25
37	1726263	3	PIN 2.0*15
38	1726158	5	FULCRUM KIT DIFF
39	1718259	1	PIN 2.0*20
40	1726244	1	WASHER 10
41	1726160	2	PLATE
42	1708711	2	BOLT 8*20
43	1726214	1	CAP 20*322
44	1707786	1	PACKING P18

### Footnotes

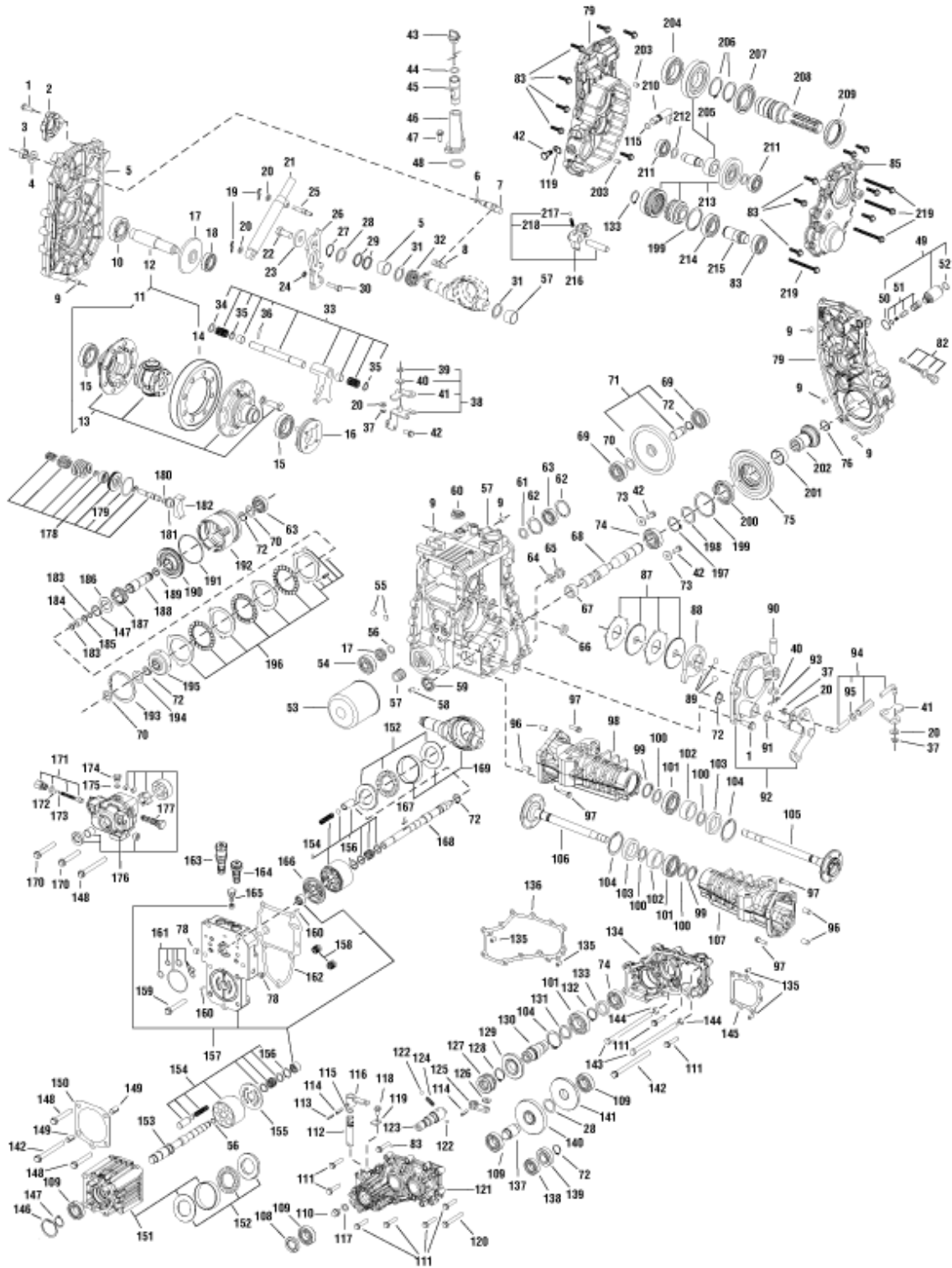
**The above parts group applies to the following Mfg. Nos.:**

1694413 - Legacy XL	1694502 - 2027	1694541 - 2027
1694416 - Legacy XL	1694503 - 2027	
1694445 - Legacy XL	1694505 - 2927	
1694447 - 2927	1694506 - Legacy XL	
1694448 - 2927	1694539 - 2027	
1694451 - Legacy XL	1694540 - 2927	

# Transmission SERVICE PARTS - Tuff Torq K92C, 4WD 540

1724561

NOTE: Unless noted otherwise,  
use the standard hardware torque  
specification chart.



**The above parts group applies to the following Mfg. Nos.:**

- |                     |                     |                |
|---------------------|---------------------|----------------|
| 1694413 - Legacy XL | 1694502 - 2027      | 1694541 - 2027 |
| 1694416 - Legacy XL | 1694503 - 2027      |                |
| 1694445 - Legacy XL | 1694505 - 2927      |                |
| 1694447 - 2927      | 1694506 - Legacy XL |                |
| 1694448 - 2927      | 1694539 - 2027      |                |
| 1694451 - Legacy XL | 1694540 - 2927      |                |

## Transmission SERVICE PARTS - Tuff Torq K92C, 4WD 540

REF NO	PART NO.	QTY.	DESCRIPTION
45	1726215	1	PIPE OIL PORT
46	1726103	1	FILLER
47	1707890	1	TAPPING SCREW 8*20
48	1726279	1	PACKING P32
49	1726168	1	SOLENOID ASSY
50	1726169	1	GASKET SOLENOID
51	1726099	1	VALVE ASSY SOLENOID
52	1707786	1	PACKING P18
53	1726194	1	FILTER OIL
54	1726179	1	BEARING TMB303C
55	1726116	2	STRAINER
56	1726245	2	RING 12.6
57	1726188	1	HOUSING KIT MISSION
58	1726261	1	PIN 10*20
59	1726285	1	SEAL TC253807
60	1718052	1	VENT VALVE
61	1726283	1	PACKING 19017
62	1726259	2	RING 42
63	1707823	2	BEARING 6004
64	1726241	1	WASHER
65	1726240	1	BOLT 14*10
66	1718090	1	SEAL TC162606
67	1726273	1	NEEDLE 253216 NTN
68	1726199	1	SHAFT MID PTO
69	1707901	2	BEARING 6204
70	1726172	3	WASHER
71	1726138	1	IDLE ASSY. PTO
72	1726248	6	RING 20
73	1726136	2	WASHER 8.5*24*4
74	1707904	2	BEARING 6205
75	1726135	1	GEAR Z=62T MID PTO
76	1726249	1	RING 24
78	1726265	2	PLUG
79	1726143	1	CASE REAR PTO
82	1726107	1	PTO RELIEF VALVE KIT
83	1718122	24	BOLT 8*30
85	1726191	1	REAR COVER PLATE
87	1726163	1	PLATE KIT BRAKE
88	1726237	1	ACTUATOR
89	1726276	3	BALL 1/2
90	1726264	1	PIN 10*24
91	1707785	1	PACKING P16
92	1726164	1	CAM BRAKE KIT
93	1726262	1	PIN 10
94	1726161	1	ROD ASSY.

### Footnotes

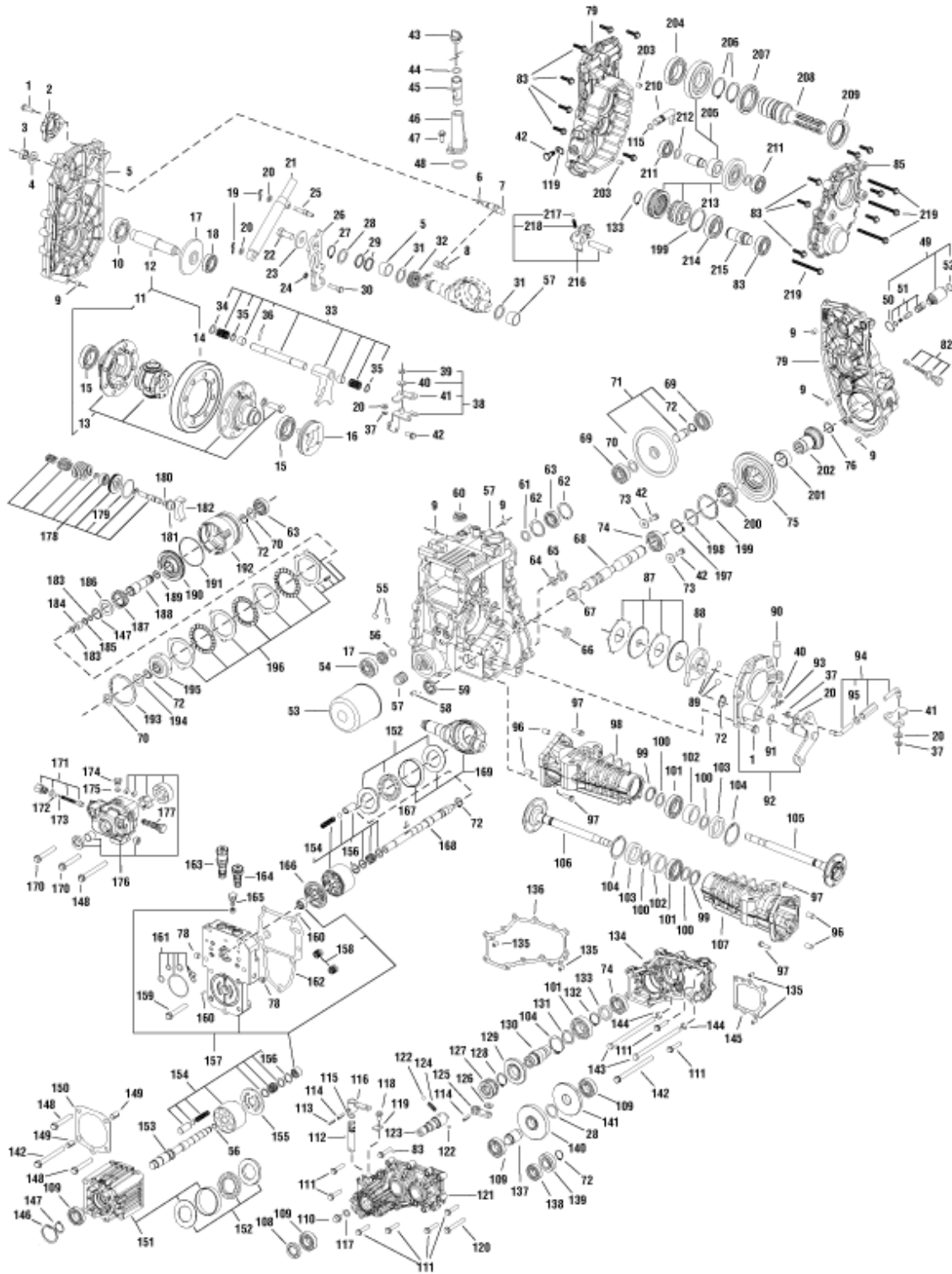
#### The above parts group applies to the following Mfg. Nos.:

1694413 - Legacy XL	1694502 - 2027	1694541 - 2027
1694416 - Legacy XL	1694503 - 2027	
1694445 - Legacy XL	1694505 - 2927	
1694447 - 2927	1694506 - Legacy XL	
1694448 - 2927	1694539 - 2027	
1694451 - Legacy XL	1694540 - 2927	

# Transmission SERVICE PARTS - Tuff Torq K92C, 4WD 540

1724561

NOTE: Unless noted otherwise,  
use the standard hardware torque  
specification chart.



**The above parts group applies to the following Mfg. Nos.:**

- |                     |                     |                |
|---------------------|---------------------|----------------|
| 1694413 - Legacy XL | 1694502 - 2027      | 1694541 - 2027 |
| 1694416 - Legacy XL | 1694503 - 2027      |                |
| 1694445 - Legacy XL | 1694505 - 2927      |                |
| 1694447 - 2927      | 1694506 - Legacy XL |                |
| 1694448 - 2927      | 1694539 - 2027      |                |
| 1694451 - Legacy XL | 1694540 - 2927      |                |



## Transmission SERVICE PARTS - Tuff Torq K92C, 4WD 540

REF NO	PART NO.	QTY.	DESCRIPTION
95	1726297	1	NUT 8
96	1726155	12	COLLAR 10*12*20
97	1726292	12	BOLT 10*35
98	1726230	1	REAR AXLE HOUSING R
99	1726162	2	CIRCLIP
100	1726186	4	COLLAR 30*42*2
101	1726268	3	BEARING 6006
102	1726174	2	SLEEVE 30*39*16
103	1726156	2	SEAL TC395511
104	1726255	3	RING 55
105	1726209	1	SHAFT REAR AXLE R
106	1726233	1	SHAFT REAR AXLE L
107	1726231	1	REAR AXLE HOUSING L
108	1708708	1	SEAL TC254208
109	1707862	4	BEARING 6005
110	1726182	1	BOLT M12*12
111	1707897	12	BOLT 8*40
112	1726221	1	SHAFT SHIFT 4WD
113	1707893	1	PIN 3.5A*25
114	1718097	2	PIN 6.0A*25
115	1720872	2	PACKING P12.5
116	1726204	1	ARM SHIFT 4WD
117	1726181	1	GASKET 20*12*2
118	1726288	1	BOLT 8*16
119	1707780	2	PLATE KEEP
120	1726290	1	BOLT 8*70
121	1726220	1	FRONT COVER
122	1726274	2	BALL 1/4
123	1726234	1	SHAFT FRONT DRIVE
124	1726173	1	SPRING 21.2
125	1726235	1	ARM SHIFT 4WD
126	1726236	1	BLOCK SHIFT FRONT
127	1726184	1	COLLAR FRONT SHIFT
128	1726252	1	RING 35
129	1726226	1	GEAR 26T 4WD
130	1726227	1	SHAFT 4WD
131	1726183	1	COLLAR 30*38*4
132	1726251	1	RING 29
133	1726228	2	COLLAR 30*38*9.2
134	1726218	1	CENTER PLATE
135	1720848	4	PIN 8*16
136	1726219	1	PK 4WD GEAR BOX
137	1726224	1	SHAFT REDUCTION 4WD
138	1726267	1	BEARING 6004
139	1726222	1	GEAR 13T MOTOR

### Footnotes

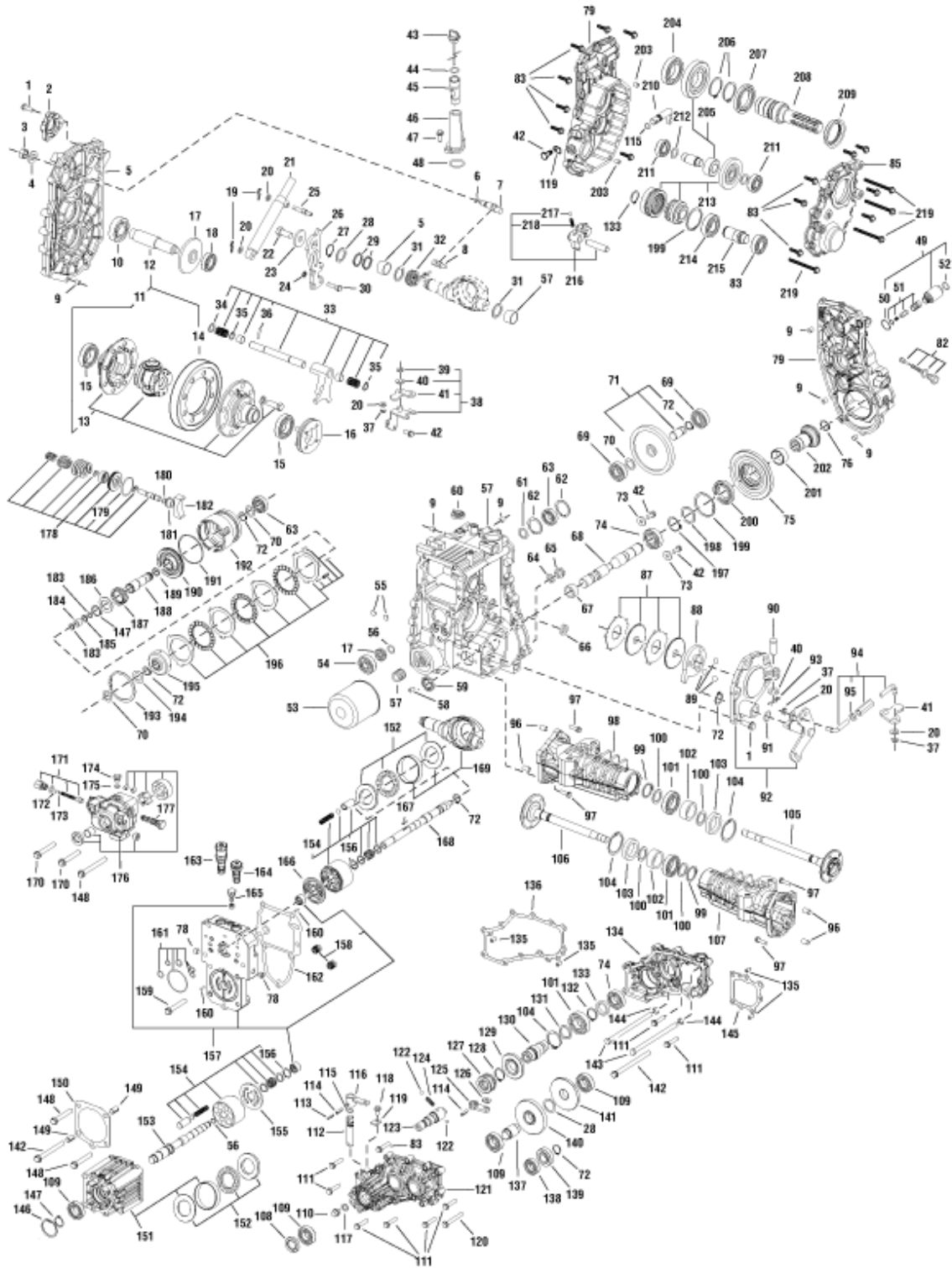
#### The above parts group applies to the following Mfg. Nos.:

1694413 - Legacy XL	1694502 - 2027	1694541 - 2027
1694416 - Legacy XL	1694503 - 2027	
1694445 - Legacy XL	1694505 - 2927	
1694447 - 2927	1694506 - Legacy XL	
1694448 - 2927	1694539 - 2027	
1694451 - Legacy XL	1694540 - 2927	

# Transmission SERVICE PARTS - Tuff Torq K92C, 4WD 540

1724561

NOTE: Unless noted otherwise,  
use the standard hardware torque  
specification chart.



**The above parts group applies to the following Mfg. Nos.:**

- |                     |                     |                |
|---------------------|---------------------|----------------|
| 1694413 - Legacy XL | 1694502 - 2027      | 1694541 - 2027 |
| 1694416 - Legacy XL | 1694503 - 2027      |                |
| 1694445 - Legacy XL | 1694505 - 2927      |                |
| 1694447 - 2927      | 1694506 - Legacy XL |                |
| 1694448 - 2927      | 1694539 - 2027      |                |
| 1694451 - Legacy XL | 1694540 - 2927      |                |

## Transmission SERVICE PARTS - Tuff Torq K92C, 4WD 540

REF NO	PART NO.	QTY.	DESCRIPTION
140	1726225	1	GEAR 34T 4WD
141	1726223	1	GEAR 30T 4WD
142	1726287	3	BOLT 10*145
143	1726295	2	BOLT 10*180
144	1726260	2	WASHER 10
145	1726205	1	PACKING FRONT COVER
146	1720787	1	RING 47
147	1726250	1	RING 25
148	1726294	4	BOLT 10*105
149	1726117	2	PIN KNOCK 12*22
150	1726109	1	PACKING MOTOR CASE
151	1726110	1	MOTOR CASE CMP.
152	1726192	2	BEARING SET THRUST
153	1726216	1	SHAFT MOTOR
154	1726196	2	BLOCK ASSY. CYL. P
155	1726113	1	PLATE VALVE M
156	1726258	2	RING 24
157	1726211	1	CENTERCASE ASSY.
158	1726187	1	BODY ASSY. SUCTION
159	1726286	2	BOLT 10*65
160	1726114	2	PIN 4*13.8
161	1726137	1	PACKING KIT
162	1726104	5	CENTERCASE PACKING
163	1726210	1	RELIEF ASSY. TOW 32
164	1726118	1	VALVE ASSY. CHECK R
165	1726115	1	RELEASE ASSY IMPL
166	1726112	1	PLATE VALVE P
167	1726242	1	KEY
168	1726195	1	PUMP SHAFT
169	1726213	1	SHIFT CMP.
170	1726293	2	BOLT 10*70
171	1726141	1	VALVE ASSY.
172	1726150	1	SHIM 7*0.2
173	1726185	1	SHIM T=0.3
174	1726139	1	PLUG 1/2OUNF
175	1726284	1	PACKING AS 905
176	1726200	1	BODY ASSY. PUMP
177	1726140	1	VALVE ASSY. REDUCING
178	1726197	1	BRAKE KIT PTO
179	1726282	1	PACKING 2045
180	1726277	1	PACKING P10
181	1726129	1	COLLAR BRAKE PIN
182	1726130	1	SHOE PTO BRAKE
183	1726133	2	RING 12
184	1726126	1	NEEDLE 121718

### Footnotes

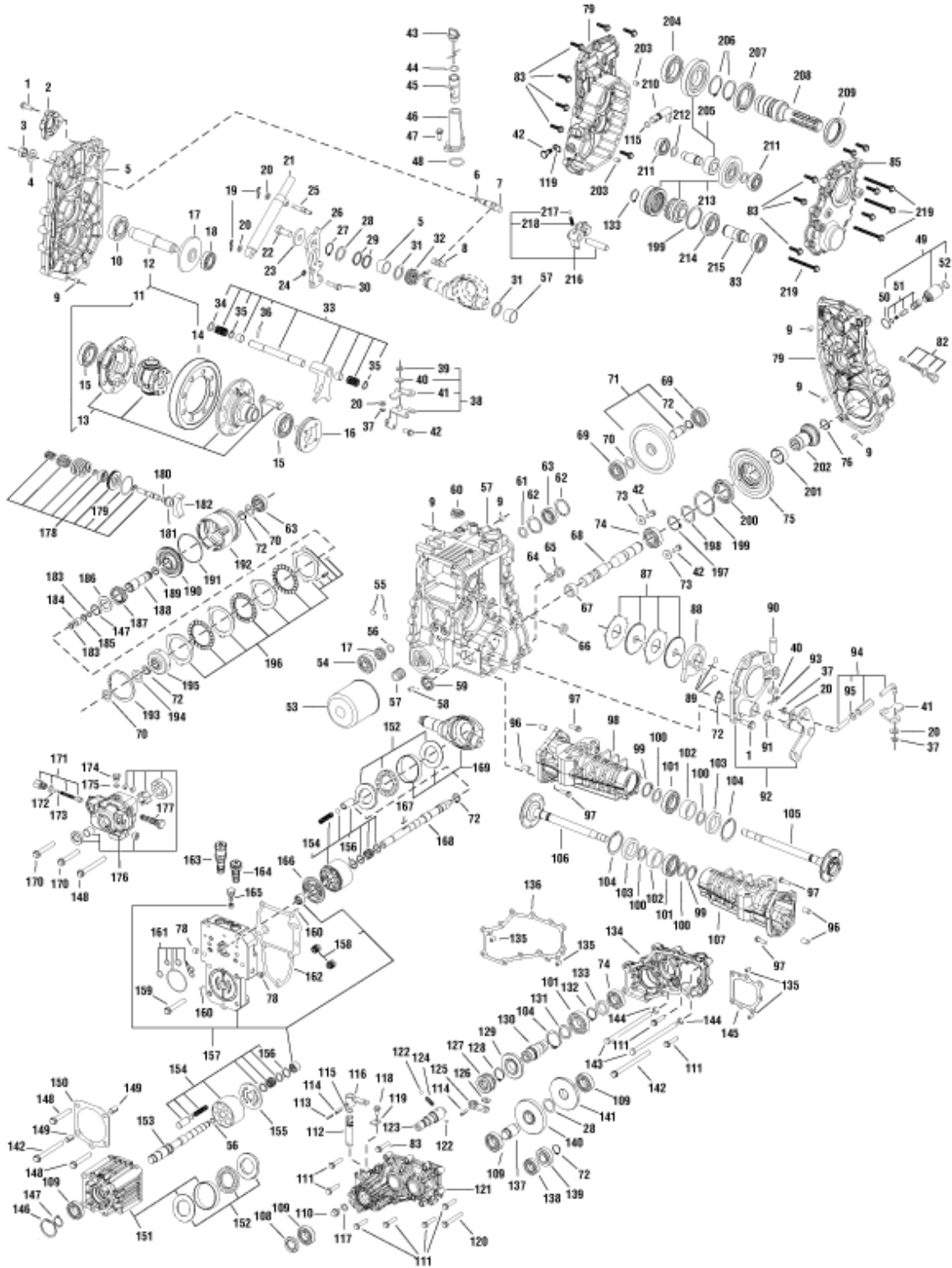
#### The above parts group applies to the following Mfg. Nos.:

1694413 - Legacy XL	1694502 - 2027	1694541 - 2027
1694416 - Legacy XL	1694503 - 2027	
1694445 - Legacy XL	1694505 - 2927	
1694447 - 2927	1694506 - Legacy XL	
1694448 - 2927	1694539 - 2027	
1694451 - Legacy XL	1694540 - 2927	

# Transmission SERVICE PARTS - Tuff Torq K92C, 4WD 540

1724561

NOTE: Unless noted otherwise,  
use the standard hardware torque  
specification chart.



- The above parts group applies to the following Mfg. Nos.:**
- |                     |                     |                |
|---------------------|---------------------|----------------|
| 1694413 - Legacy XL | 1694502 - 2027      | 1694541 - 2027 |
| 1694416 - Legacy XL | 1694503 - 2027      |                |
| 1694445 - Legacy XL | 1694505 - 2927      |                |
| 1694447 - 2927      | 1694506 - Legacy XL |                |
| 1694448 - 2927      | 1694539 - 2027      |                |
| 1694451 - Legacy XL | 1694540 - 2927      |                |

## Transmission SERVICE PARTS - Tuff Torq K92C, 4WD 540

REF NO	PART NO.	QTY.	DESCRIPTION
185	1726127	1	WASHER 13*17*1
186	1726131	1	WASHER 25*42*2
187	1726125	1	SPRING PTO RETURN
188	1726121	1	SHAFT CLUTCH
189	1726134	1	RING SEAL 17203
190	1726123	1	PISTON
191	1726280	1	PACKING G75
192	1726124	1	GEAR CLUTCH Z=39
193	1726257	1	RING 80
194	1726132	1	WASHER 20*34*1
195	1726122	1	COLLAR SPLINE
196	1726120	1	DISC KIT FRICTION
197	1726252	1	RING 35
198	1726177	1	SPACER CLUTCH SHAFT
199	1726256	2	RING 62
200	1726175	1	BEARING 16007
201	1726272	1	NEEDLE 354017
202	1726149	1	COLLAR SPLINE
203	1726105	2	COLLAR 8*10*11.5
204	1726270	1	BEARING 6009
205	1726166	1	GEAR KIT 14-35
206	1726253	2	RING 50
207	1726176	1	BEARING 16010
208	1726217	1	REAR PTO SHAFT
209	1726148	1	SEAL TCFY557214
210	1726154	1	SHAFT MBR CHANGE
211	1726170	2	BEARING 6204RSH2
212	1726146	1	SHAFT REAR PTO IDLE
213	1726165	1	GEAR KIT 20-29
214	1726271	1	BEARING 6206
215	1726145	1	SHAFT REAR PTO
216	1726167	1	FORK KIT MBR
217	1726275	1	BALL 5/16
218	1726171	1	SPRING
219	1726291	4	BOLT 8*90

### Footnotes

---

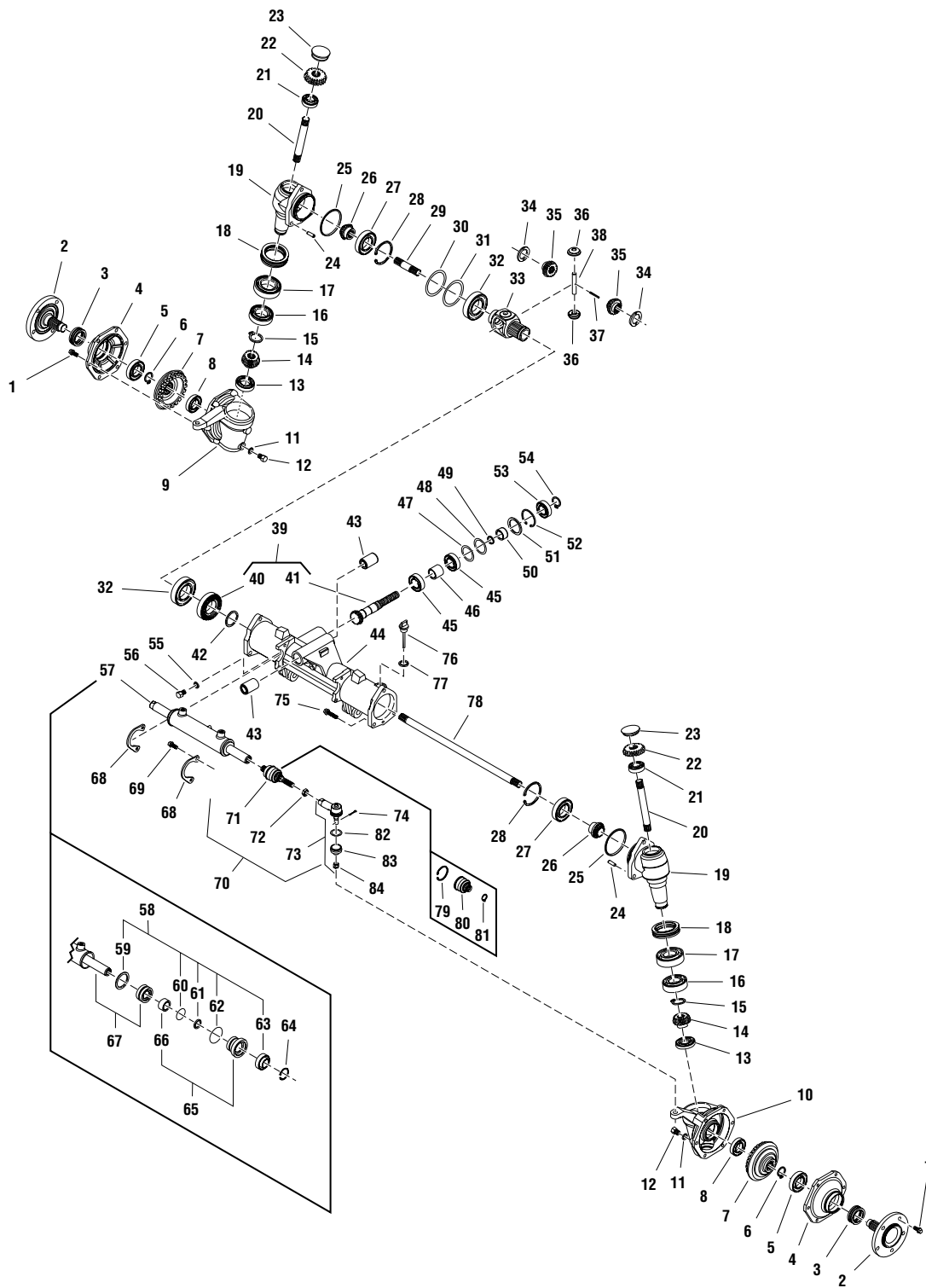
**The above parts group applies to the following Mfg. Nos.:**

1694413 - Legacy XL	1694502 - 2027	1694541 - 2027
1694416 - Legacy XL	1694503 - 2027	
1694445 - Legacy XL	1694505 - 2927	
1694447 - 2927	1694506 - Legacy XL	
1694448 - 2927	1694539 - 2027	
1694451 - Legacy XL	1694540 - 2927	

# Transaxle SERVICE PARTS - Shibaura

NOTE: Unless noted otherwise,  
use the standard hardware torque  
specification chart.

1724273



**The above parts group applies to the following Mfg. Nos.:**

- |                     |                     |                     |                     |
|---------------------|---------------------|---------------------|---------------------|
| 1694413 - Legacy XL | 1694445 - Legacy XL | 1694502 - 2027      | 1694541 - 2027      |
| 1694416 - Legacy XL | 1694446 - Legacy XL | 1694503 - 2027      | 1694549 - Legacy XL |
| 1694417 - Legacy XL | 1694447 - 2927      | 1694505 - 2927      | 1694550 - 2927      |
| 1694418 - Legacy XL | 1694448 - 2927      | 1694506 - Legacy XL |                     |
| 1694420 - Legacy XL | 1694451 - Legacy XL | 1694539 - 2027      |                     |
| 1694428 - 2927      | 1694501 - 2027      | 1694540 - 2927      |                     |

## Transaxle SERVICE PARTS - Shibuara

REF NO	PART NO.	QTY.	DESCRIPTION
1	1725908	12	BOLT
2	1725902	2	WHEEL SHAFT
3	1725903	2	OIL SEAL
4	1725901	2	COVER
5	1725904	2	BALL BEARING
6	1725905	2	SNAP RING
7	1725906	2	FINAL GEAR
8	1725907	2	BALL BEARING
9	1725896	1	MISSION CASE, R
10	1725895	1	MISSION CASE, L
11	1725900	2	SEAL WASHER
12	1725899	2	BOLT
13	1725898	2	BALL BEARING
14	1725897	2	FINAL PINION
15	1725891	2	SNAP RING
16	1725890	2	BALL BEARING
17	1725889	2	BALL BEARING
18	1725888	2	OIL SEAL
19	1727062	2	MISSION CASE, Upper
20	1725887	2	DRIVE SHAFT
21	1725886	2	BALL BEARING
22	1725885	2	FINAL PINION
23	1725894	2	BLANK PLUG
24	1725853	2	DOWEL PIN
25	1725892	2	O-RING
26	1725882	2	FINAL PINION
27	1725883	2	BALL BEARING
28	1725884	2	SNAP RING
29	1725880	1	DIFF SHAFT, R
30	1725878	1	SHIM
31	1725877	1	SHIM
32	1725876	2	BALL BEARING
33	1725869	1	DIFF HOUSING
34	1725871	2	THRUST WASHER
35	1725870	2	DIFF GEAR
36	1725872	2	DIFF PINION
37	1725874	1	SPRING PIN
38	1725873	1	PINION SHAFT
39	1725881	1	DRIVE PINION ASSY
40	*	1	RING GEAR
41	*	1	DRIVE PINION
42	1725875	1	SNAP RING
43	1725854	2	BUSH
44	1725852	1	WHEEL SHAFT CASE

### Footnotes

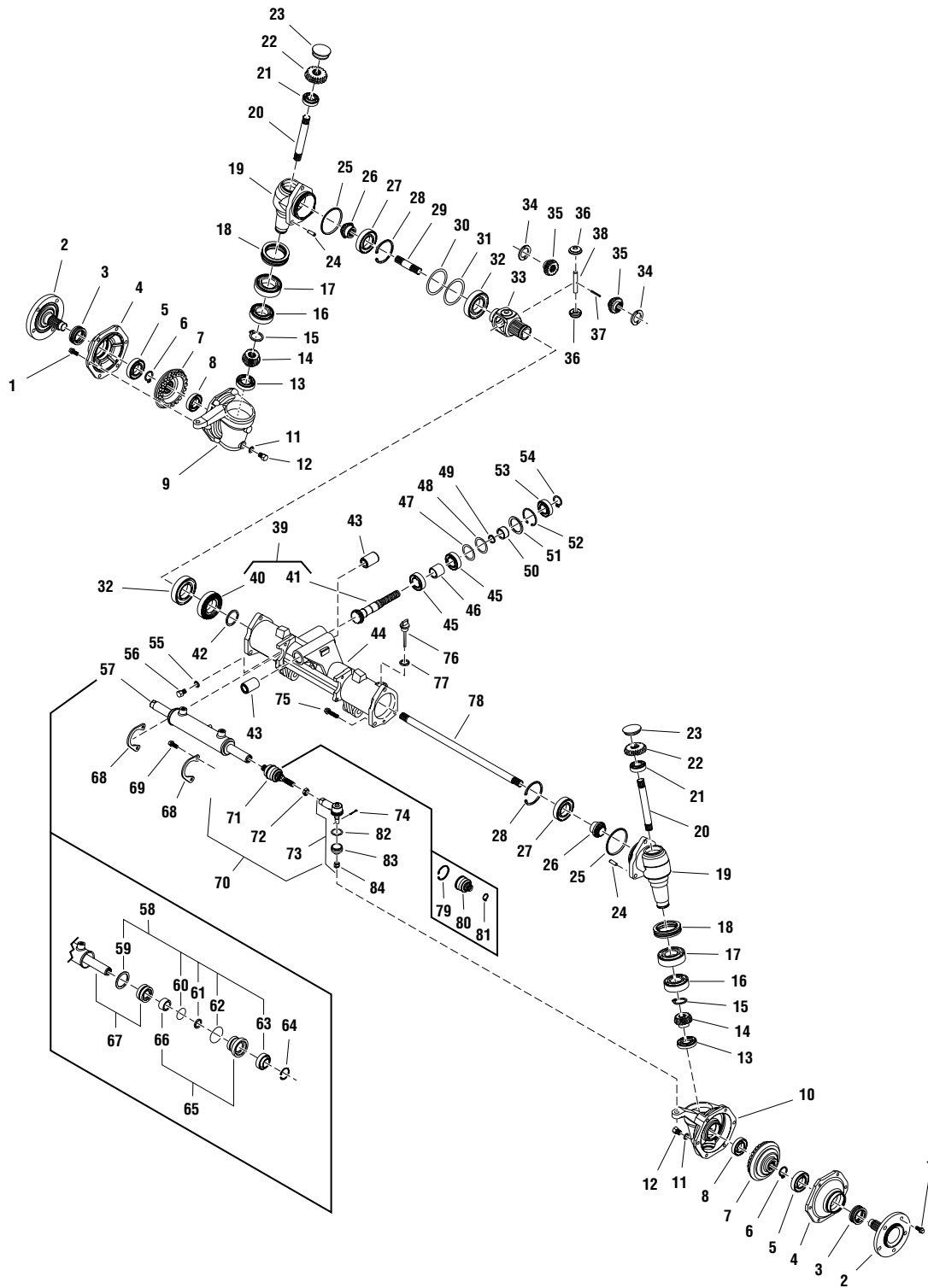
#### The above parts group applies to the following Mfg. Nos.:

1694413 - Legacy XL	1694445 - Legacy XL	1694502 - 2027	1694541 - 2027
1694416 - Legacy XL	1694446 - Legacy XL	1694503 - 2027	1694549 - Legacy XL
1694417 - Legacy XL	1694447 - 2927	1694505 - 2927	1694550 - 2927
1694418 - Legacy XL	1694448 - 2927	1694506 - Legacy XL	
1694420 - Legacy XL	1694451 - Legacy XL	1694539 - 2027	
1694428 - 2927	1694501 - 2027	1694540 - 2927	

# Transaxle SERVICE PARTS - Shibaura

1724273

NOTE: Unless noted otherwise,  
use the standard hardware torque  
specification chart.



**The above parts group applies to the following Mfg. Nos.:**

1694413 - Legacy XL	1694445 - Legacy XL	1694502 - 2027	1694541 - 2027
1694416 - Legacy XL	1694446 - Legacy XL	1694503 - 2027	1694549 - Legacy XL
1694417 - Legacy XL	1694447 - 2927	1694505 - 2927	1694550 - 2927
1694418 - Legacy XL	1694448 - 2927	1694506 - Legacy XL	
1694420 - Legacy XL	1694451 - Legacy XL	1694539 - 2027	
1694428 - 2927	1694501 - 2027	1694540 - 2927	



## Transaxle SERVICE PARTS - Shibuara

REF NO	PART NO.	QTY.	DESCRIPTION
45	1725859	2	BALL BEARING
46	1725860	1	COLLAR
47	1725863	1	SHIM
48	1725862	1	SHIM
49	1725865	1	O-RING
50	1725866	1	COLLAR
51	1725861	1	SPACER
52	1725864	1	SNAP RING
53	1725868	1	OIL SEAL
54	1725867	1	SNAP RING
55	1725858	1	SEAL WASHER
56	1725857	1	BOLT
57	1725841	1	CYLINDER ASSY
58	1725844	1	REPAIR, KIT
59	*	1	PISTON PACKING
60	*	2	O-RING
61	*	2	ROD PACKING
62	*	2	O-RING
63	*	2	DUST SEAL
64	1725843	2	SNAP, RING
65	*	2	GUIDE KIT
66	1725842	2	BUSHING
67	*	1	PISTON ROD KIT
68	1725850	2	BRACKET
69	1725851	4	BOLT
70	1725845	2	LINK ASSY
71	1725846	2	TIE ROD END
72	1725847	2	NUT
73	1725848	2	BALL JOINT, TIE ROD END
74	1725849	2	SPLIT PIN
75	1725893	6	BOLT
76	1725855	1	GAUGE, OIL
77	1725856	1	SEAL WASHER
78	1725879	1	DIFF SHAFT, L
79	1728039	2	RING RETAINING, LARGE, TIE ROD
80	1728037	2	BOOT RUBBER, TIE ROD
81	1728038	2	RING RETAINING, SMALL TIE ROD
82	1728041	2	RING RETAINING, BALL JOINT
83	1728040	2	BOOT RUBBER, BALL JOINT
84	1728042	2	NUT, CASTLE, BALL JOINT

### Footnotes

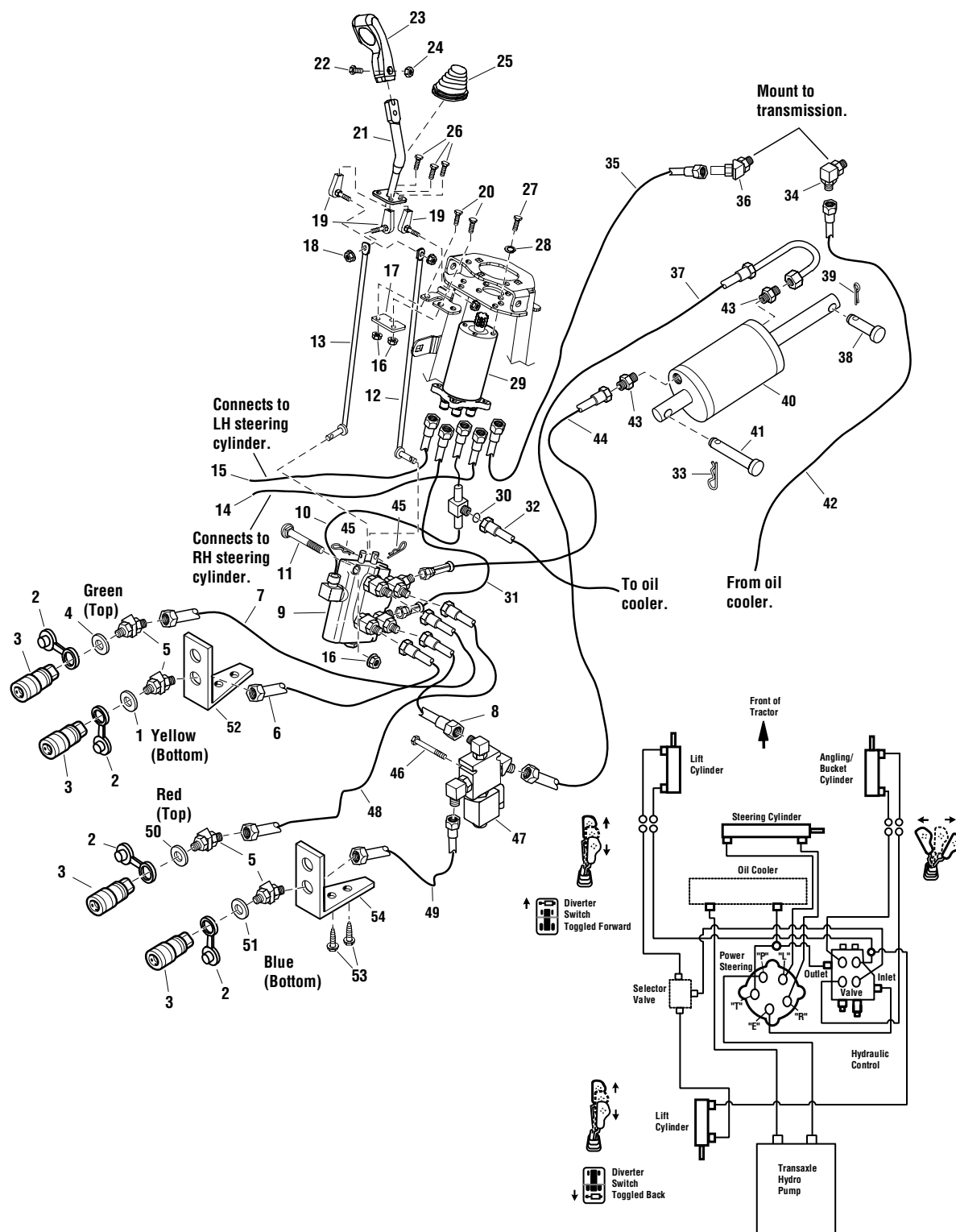
**The above parts group applies to the following Mfg. Nos.:**

1694413 - Legacy XL	1694445 - Legacy XL	1694502 - 2027	1694541 - 2027
1694416 - Legacy XL	1694446 - Legacy XL	1694503 - 2027	1694549 - Legacy XL
1694417 - Legacy XL	1694447 - 2927	1694505 - 2927	1694550 - 2927
1694418 - Legacy XL	1694448 - 2927	1694506 - Legacy XL	
1694420 - Legacy XL	1694451 - Legacy XL	1694539 - 2027	
1694428 - 2927	1694501 - 2027	1694540 - 2927	

# Hydraulic Group

986315

NOTE: Unless noted otherwise, use the standard hardware torque specification chart.



**The above parts group applies to the following Mfg. Nos.:**

- |                     |                     |                     |                     |
|---------------------|---------------------|---------------------|---------------------|
| 1694413 - Legacy XL | 1694445 - Legacy XL | 1694502 - 2027      | 1694541 - 2027      |
| 1694416 - Legacy XL | 1694446 - Legacy XL | 1694503 - 2027      | 1694549 - Legacy XL |
| 1694417 - Legacy XL | 1694447 - 2927      | 1694505 - 2927      | 1694550 - 2927      |
| 1694418 - Legacy XL | 1694448 - 2927      | 1694506 - Legacy XL |                     |
| 1694420 - Legacy XL | 1694451 - Legacy XL | 1694539 - 2027      |                     |
| 1694428 - 2927      | 1694501 - 2027      | 1694540 - 2927      |                     |

## Hydraulic Group

REF NO	PART NO.	QTY.	DESCRIPTION
1	1726319	1	WASHER
2	173358	4	BODY ASSEMBLY, Coupler 1/4-18 Int, 1.94 LG
3	173360	4	PLUG, Plastic
4	1726321	1	WASHER
5	1725351	7	FITTING, Tube Elbow
6	1725687	1	TUBE, Hydraulic
7	1725686	1	TUBE, Hydraulic
8	1725688	1	TUBE, Hydraulic
9	1725080	1	VALVE ASSEMBLY, Control 2 Spool
10	1725690	1	TUBE, Hydraulic
11	1960700	2	CARRIAGE BOLT, 1/4-20 x 2 G5
12	1724434	1	ROD & PIN ASSEMBLY, Control
13	1724878	1	ROD & PIN ASSEMBLY, Control
14	1725012	1	HOSE ASSEMBLY, Hydraulics, R.H.
15	1724890	1	HOSE ASSEMBLY, Hydraulics, L.H.
16	1960685	4	NUT, Hex 1/4-20 Conical Washer
17	1724881	1	PAD, Hydraulic
18	960697	3	NUT, Hex, Spirallock Flange 1/4-28
19	1725117	3	JOINT, Ball, 1/4-28 Int
20	1923341	2	CAPSCREW, Hex Head, 1/4-20 x 3/4 G5
21	1725100	1	LEVER ASSEMBLY, Joystick
22	1960666	1	SCREW, TORX PLUS Socket Head, 1/4-20 x 7/8
23	1722303	1	HANDLE, Cruise 3/8 x 7/8 Slot
24	1920397	1	NUT, Hex, Lock, ESNA LIGHT, 1/4-20 NC-3B
25	1725120	1	BOOT, Hydraulic Control
26	960696	3	SCREW, Hex SEMS Square Washer, 1/4-28 x 3/4
27	960444	4	CAPSCREW, Hex Head
28	1916964	4	LOCKWASHER, Spring
29	1725288	1	POWER STEERING UNIT
30	1725485	1	O-RING
31	1724886	1	TUBE, Hydraulic
32	1725604	1	HOSE ASSEMBLY, Hydraulic Rubber, 29 LG, 1 Swivel
33	1960033	1	CLIP, Hair Pin
34	1725655	1	FITTING, Tube Elbow 9/16-18 13/16-16, 90 Degrees
35	1725689	1	TUBE, Hydraulic
36	1725361	1	FITTING, Tube Elbow, 9/16-18 11/16-16, 45 Degrees
37	1725111	1	HOSE ASSEMBLY, Hydraulic Rubber, 180 Degrees
38	8181008	1	PIN, Round Head Drilled, 1/2 x 2-1/2
39	1918452	1	PIN, Cotter, 1/4 x 1
40	1726442	1	CYLINDER ASSEMBLY, Hydraulic, ROCKLY Implement Lift
41	1725223	1	PIN, Clevis
42	1725691	1	HOSE, Hydraulic
43	919171	2	FITTING-TUBE MALE 1/8NPT+7/16-20 .250TU
44	1725110	1	HOSE ASSEMBLY, Hydraulic Rubber, 13.7 LG, 30 Degrees

### Footnotes

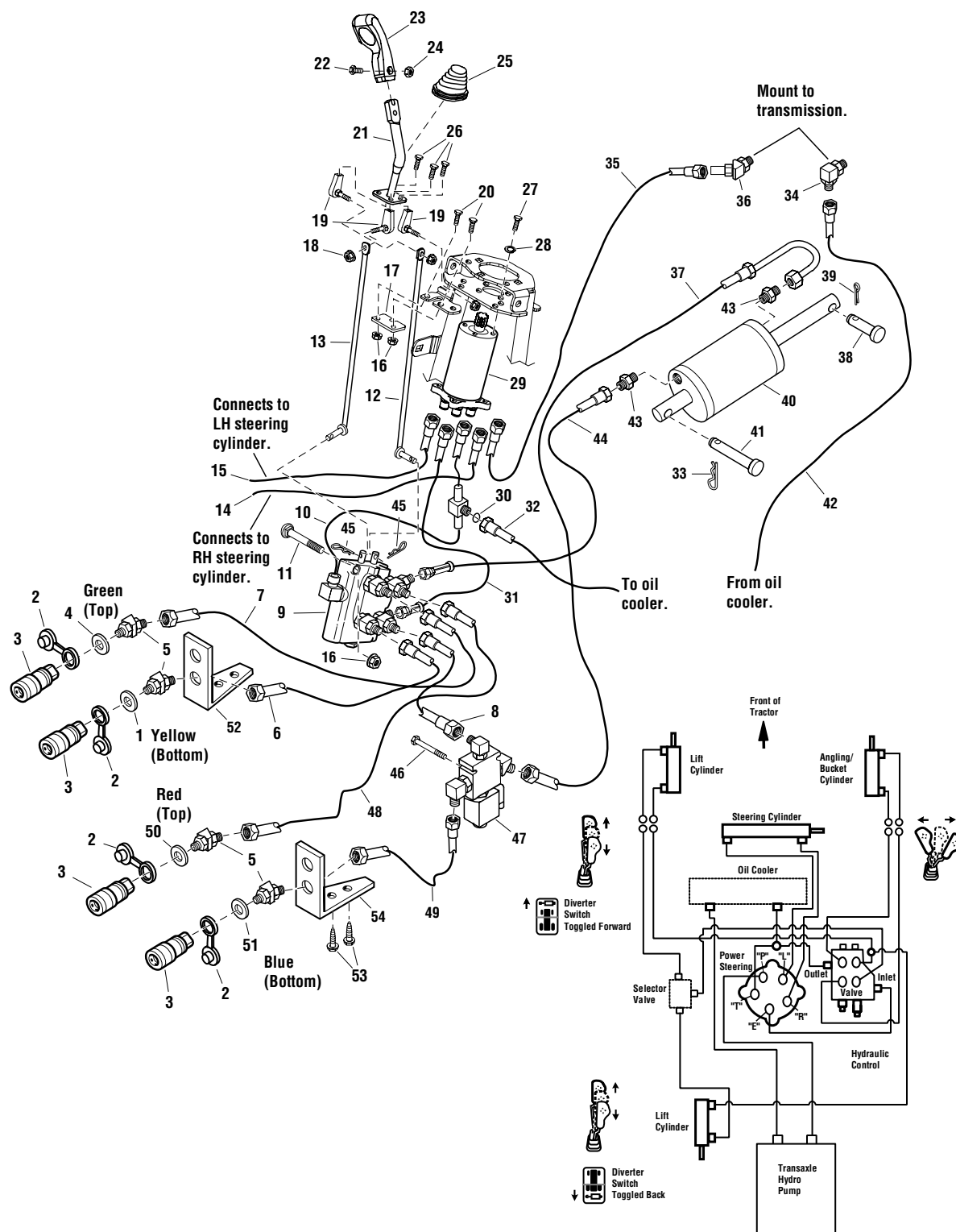
#### The above parts group applies to the following Mfg. Nos.:

1694413 - Legacy XL	1694445 - Legacy XL	1694502 - 2027	1694541 - 2027
1694416 - Legacy XL	1694446 - Legacy XL	1694503 - 2027	1694549 - Legacy XL
1694417 - Legacy XL	1694447 - 2927	1694505 - 2927	1694550 - 2927
1694418 - Legacy XL	1694448 - 2927	1694506 - Legacy XL	
1694420 - Legacy XL	1694451 - Legacy XL	1694539 - 2027	
1694428 - 2927	1694501 - 2027	1694540 - 2927	

# Hydraulic Group

986315

NOTE: Unless noted otherwise, use the standard hardware torque specification chart.



**The above parts group applies to the following Mfg. Nos.:**

- |                     |                     |                     |                     |
|---------------------|---------------------|---------------------|---------------------|
| 1694413 - Legacy XL | 1694445 - Legacy XL | 1694502 - 2027      | 1694541 - 2027      |
| 1694416 - Legacy XL | 1694446 - Legacy XL | 1694503 - 2027      | 1694549 - Legacy XL |
| 1694417 - Legacy XL | 1694447 - 2927      | 1694505 - 2927      | 1694550 - 2927      |
| 1694418 - Legacy XL | 1694448 - 2927      | 1694506 - Legacy XL |                     |
| 1694420 - Legacy XL | 1694451 - Legacy XL | 1694539 - 2027      |                     |
| 1694428 - 2927      | 1694501 - 2027      | 1694540 - 2927      |                     |

## Hydraulic Group

REF NO	PART NO.	QTY.	DESCRIPTION
45	1960221	2	CLIP, Hair Pin
46	1960571	2	SCREW, Hex, Washer Head Taptite, 1/4-20 x 1-3/4
47	1724857	1	VALVE ASSEMBLY, Selector
48	1725684	1	TUBE, Hydraulic
49	1725685	1	TUBE, Hydraulic
50	1726320	1	WASHER
51	1726318	1	WASHER
52	1725323	1	SUPPORT, Quick Disc
53	1664847	4	SCREW, Hex, Washer Head, Taptite, 5/16-18 x 3/4
54	1725325	1	SUPPORT, Quick Disc

## Footnotes

---

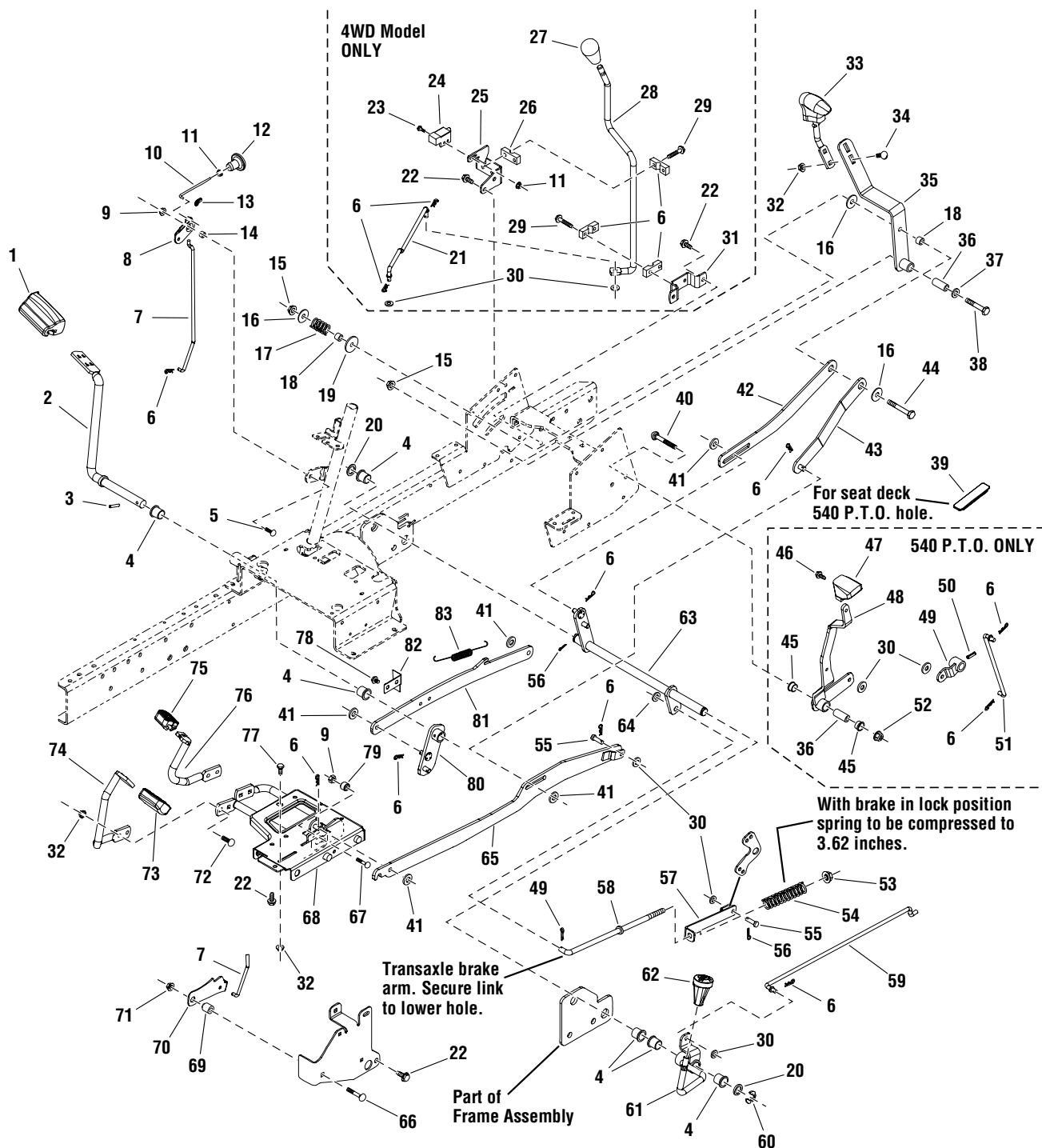
**The above parts group applies to the following Mfg. Nos.:**

1694413 - Legacy XL	1694445 - Legacy XL	1694502 - 2027	1694541 - 2027
1694416 - Legacy XL	1694446 - Legacy XL	1694503 - 2027	1694549 - Legacy XL
1694417 - Legacy XL	1694447 - 2927	1694505 - 2927	1694550 - 2927
1694418 - Legacy XL	1694448 - 2927	1694506 - Legacy XL	
1694420 - Legacy XL	1694451 - Legacy XL	1694539 - 2027	
1694428 - 2927	1694501 - 2027	1694540 - 2927	

# Controls Group

986329

NOTE: Unless noted otherwise,  
use the standard hardware torque  
specification chart.



**The above parts group applies to the following Mfg. Nos.:**

- |                     |                     |                     |                     |
|---------------------|---------------------|---------------------|---------------------|
| 1694413 - Legacy XL | 1694445 - Legacy XL | 1694502 - 2027      | 1694541 - 2027      |
| 1694416 - Legacy XL | 1694446 - Legacy XL | 1694503 - 2027      | 1694549 - Legacy XL |
| 1694417 - Legacy XL | 1694447 - 2927      | 1694505 - 2927      | 1694550 - 2927      |
| 1694418 - Legacy XL | 1694448 - 2927      | 1694506 - Legacy XL |                     |
| 1694420 - Legacy XL | 1694451 - Legacy XL | 1694539 - 2027      |                     |
| 1694428 - 2927      | 1694501 - 2027      | 1694540 - 2927      |                     |

## Controls Group

REF NO	PART NO.	QTY.	DESCRIPTION
1	1721577	1	PAD, Brake Pedal
2	1724676	1	ROD, Brake Pedal
3	960396	1	PIN, Spring
4	176440	6	BUSHING
5	1931317	1	CARRIAGE BOLT, 1/4-20 x 3/4 G5
6	1722460	7/9/1	PIN, Quick
7	1725276	1	ROD, 4 Bends, 13.63 LG
8	1717006	1	BRACKET, Parking Brake Pivot, BLACK ROCKY
9	1960685	2	NUT, Hex, KEPS, 1/4-20 Conical Washer
10	1717004	1	ROD, 10-24 x 31/50, 3.91 LG
11	1960591	1/3	NUT, Hex, KEPS, #10-24
12	1725277	1	KNOB, Interior Thread, Parking
13	1725550	1	CLIP, Rod End Linkage, L.H., For .188 Rod
14	1960234	1	SPACER, .320 LG
15	1960687	2	NUT, Hex, Flange, 3/8-16, ESNA
16	1922611	3	WASHER, 3/4
17	1677746	1	SPRING, Complete
18	1713791	2	SPACER, 7/16 LG Powdered Metal
19	1924356	1	WASHER, 3/8
20	1960114	2	WASHER, 3/4
21	1724850	1	ROD, 4WD Shift, 10.74 LG
22	1664847	2/6	SCREW, Hex, Washer Head, Taptite, 5/16-18 x 3/4
23	1933737	2	SCREW, Hex Washer Head, Slot #10-24 x 5/8
24	1717050	1	SWITCH, Push Button, Neutral/Start
25	1724866	1	BRACKET, 2 Speed Pivot
26	1674631	4	BEARING HALF, Outer Nylon
27	1713843	1	KNOB, Sphere Softer
28	1724902	1	ROD, Shift 2 Speed, 19-1/4 LG
29	1930600	4	SCREW, Hex, Washer Head, Taptite, 5/16-18 x 1-1/2
30	1919326	3/5/7	WASHER
31	1716994	1	BRACKET, Mounting, 4.63 LG
32	1960684	7	NUT, Hex, KEPS 5/16-18, Conical Washer
33	1725357	1	KNOB, With Cruise Control Rod Molded In
34	1931335	2	CARRIAGE BOLT, 5/16-18 x 1 G5
35	1724669	1	LEVER ASSEMBLY, Cruise
36	1669105	1/2	SPACER, 1-1/2 LG HARDEN
37	1924940	1	WASHER, 3/8
38	1922130	1	CAPSCREW, Hex Head, 3/8-16 x 2-1/4 G5
39	1725299	1	COVER, Black Rubber, .98 x 3.88
40	1960615	1	CARRIAGE BOLT, 3/8-16 x 2-1/2
41	1922755	5	WASHER, 3/4
42	1724686	1	ARM, Cruise Return
43	1724913	1	LINK & PIN ASSEMBLY, Cruise
44	1921973	1	CAPSCREW, Hex Head 3/8-16 x 2-3/4 G5

### Footnotes

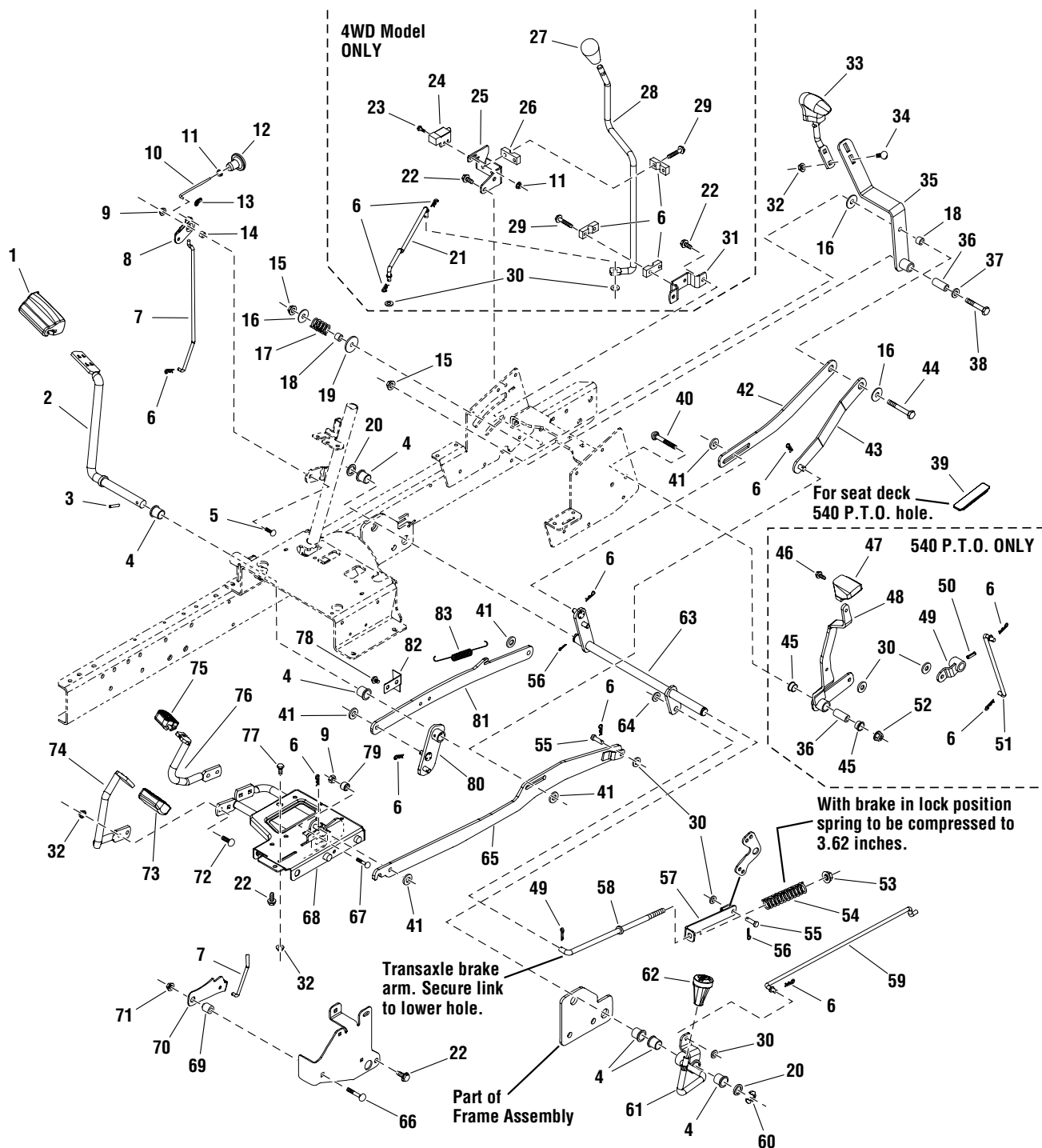
#### The above parts group applies to the following Mfg. Nos.:

1694413 - Legacy XL	1694445 - Legacy XL	1694502 - 2027	1694541 - 2027
1694416 - Legacy XL	1694446 - Legacy XL	1694503 - 2027	1694549 - Legacy XL
1694417 - Legacy XL	1694447 - 2927	1694505 - 2927	1694550 - 2927
1694418 - Legacy XL	1694448 - 2927	1694506 - Legacy XL	
1694420 - Legacy XL	1694451 - Legacy XL	1694539 - 2027	
1694428 - 2927	1694501 - 2027	1694540 - 2927	

# Controls Group

986329

NOTE: Unless noted otherwise, use the standard hardware torque specification chart.



**The above parts group applies to the following Mfg. Nos.:**

- |                     |                     |                     |                     |
|---------------------|---------------------|---------------------|---------------------|
| 1694413 - Legacy XL | 1694445 - Legacy XL | 1694502 - 2027      | 1694541 - 2027      |
| 1694416 - Legacy XL | 1694446 - Legacy XL | 1694503 - 2027      | 1694549 - Legacy XL |
| 1694417 - Legacy XL | 1694447 - 2927      | 1694505 - 2927      | 1694550 - 2927      |
| 1694418 - Legacy XL | 1694448 - 2927      | 1694506 - Legacy XL |                     |
| 1694420 - Legacy XL | 1694451 - Legacy XL | 1694539 - 2027      |                     |
| 1694428 - 2927      | 1694501 - 2027      | 1694540 - 2927      |                     |



## Controls Group

REF NO	PART NO.	QTY.	DESCRIPTION
45	1676148	2	BUSHING, 2/5 LG Powdered Metal
46	1960106	1	SCREW, Hex, Washer Head, PLASTITE 1/4 x 1
47	1726043	1	HANDLE, 540 PTO 3/8 x 7/8 Slot
48	1724225	1	HANDLE ASSEMBLY, Control
49	1724216	1	ARM & HUB ASSEMBLY, Control
50	1725010	1	PIN, Spring
51	1724229	1	ROD, Control, 9.23 LG
52	1960680	1	NUT, Hex, KEPS 3/8-16 Conical Washer
53	1960692	1	NUT, Hex, Toplock Flange 7/16-20
54	1725278	1	SPRING, Complete
55	1725011	2	PIN, Clevis
56	1918447	3	PIN, Cotter .094 X 3/4
57	1724783	1	LINK & BRACE ASSEMBLY, Brake
58	1724200	1	ROD
59	1724858	1	ROD, Diff Lock, 20.7 LG
60	1611710	2	RING, Klipring Extension, 3/4 Shaft
61	1724859	1	PEDAL ASSEMBLY, Diff Lock
62	1716289	1	KNOB, Hole
63	1724672	1	SHAFT ASSEMBLY, Brake
64	1925125	1	WASHER, 7/16
65	1724241	1	ARM ASSEMBLY, Control
66	1931337	1	CARRIAGE BOLT, 5/16-18 x 1-1/2 G5
67	1931320	1	CARRIAGE BOLT, 1/4-20 x 1-1/4 G5
68	1724224	1	CONTROL ASSEMBLY, Foot Pedals
69	1702552	1	SPACER
70	1725275	1	ARM, Brake Lock
71	1960686	1	NUT, Hex Flange, 5/16-18, ESNA
72	1931334	4	CARRIAGE BOLT, 5/16-18 x 7.8 G5
73	1721675	1	PAD, Foot Pedal, Forward
74	1724266	1	PEDAL, Foot, Forward
75	1721674	1	PAD, Foot Pedal, Reverse
76	1722071	1	PEDAL, Reverse
77	1921332	1	CAPSCREW, Hex Head, 5/16-18 x 3/4 G5
78	1924856	2	SCREW, Hex Washer Head, Taptite, 5/16-18 x 1/2
79	1707944	1	CAM, Roller
80	1724679	1	ARM ASSEMBLY, Brake
81	1724846	1	LINK, Brake
82	1724844	1	ACTUATOR, Switch 20 GA
83	1721995	1	SPRING, Extension

## Footnotes

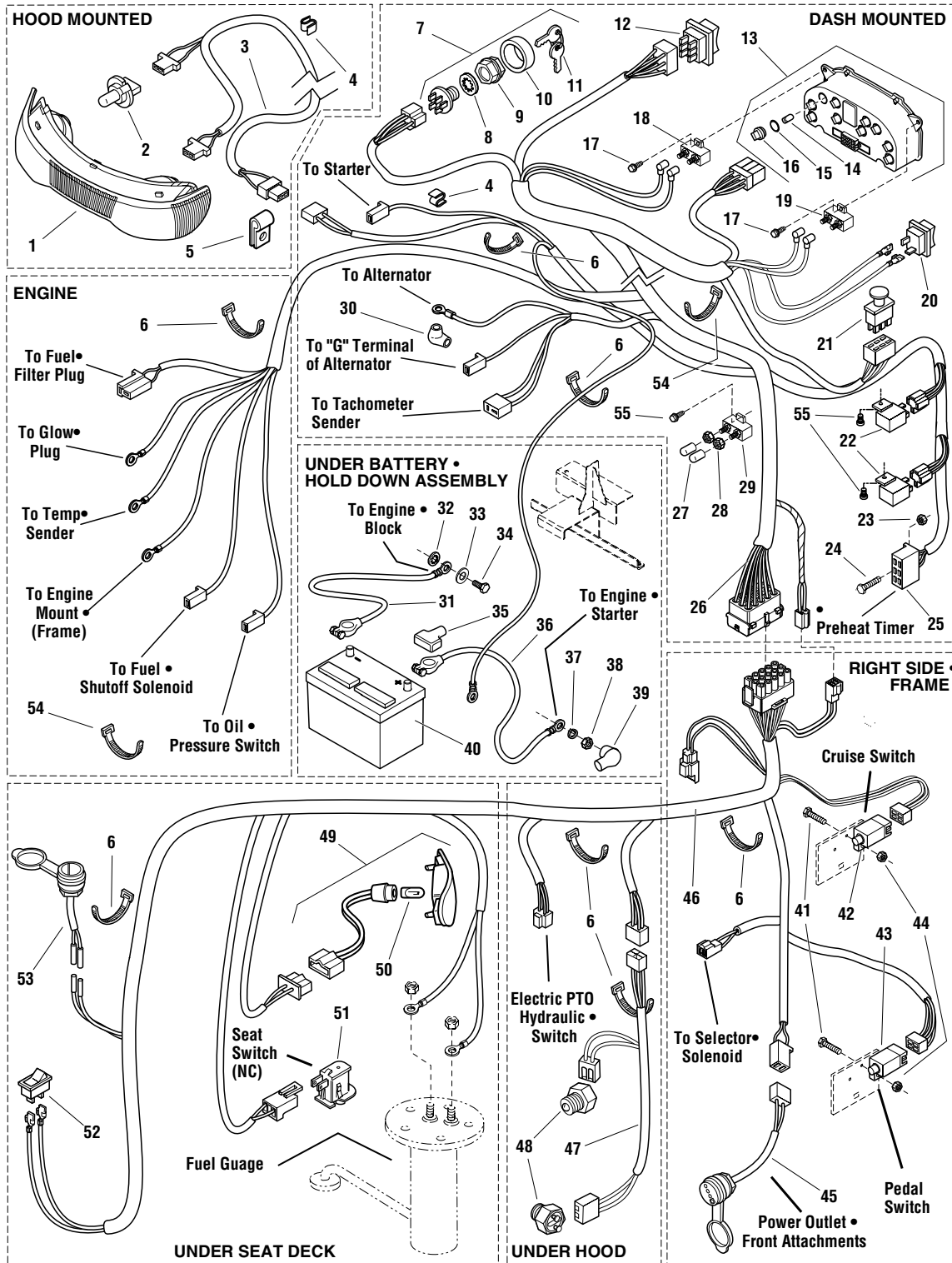
### The above parts group applies to the following Mfg. Nos.:

1694413 - Legacy XL	1694445 - Legacy XL	1694502 - 2027	1694541 - 2027
1694416 - Legacy XL	1694446 - Legacy XL	1694503 - 2027	1694549 - Legacy XL
1694417 - Legacy XL	1694447 - 2927	1694505 - 2927	1694550 - 2927
1694418 - Legacy XL	1694448 - 2927	1694506 - Legacy XL	
1694420 - Legacy XL	1694451 - Legacy XL	1694539 - 2027	
1694428 - 2927	1694501 - 2027	1694540 - 2927	

# Electrical Group - 27HP Briggs & Stratton Diesel

986323

NOTE: Unless noted otherwise, use the standard hardware torque specification chart.



The above parts group applies to the following Mfg. Nos.:

- |                     |                     |
|---------------------|---------------------|
| 1694413 - Legacy XL | 1694541 - 2027      |
| 1694418 - Legacy XL | 1694549 - Legacy XL |
| 1694505 - 2927      | 1694550 - 2927      |
| 1694506 - Legacy XL |                     |
| 1694539 - 2027      |                     |
| 1694540 - 2927      |                     |

## Electrical Group - 27HP Briggs & Stratton Diesel

REF NO	PART NO.	QTY.	DESCRIPTION
1	1715923	1	HEADLIGHT
2	1717649	2	BULB, Headlight, Halogen
3	1716198	1	HARNESS, Headlight
4	172434	1	CLIP, Wire
5	1708007	1	CLAMP, Wire 3/8 Diameter
6	925094	12	TIE, Self Locking 7 in. Long
7	1716061	1	SWITCH ASSEMBLY, Ignition 5/8-32, 6 Pin INDAK
8	1960547	1	LOCKWASHER, Internal Tooth, 5/8, Thin
9	1717549	1	NUT, Hex Flange 5/8-32 Ignition Switch
10	1717550	1	COVER, Ignition Switch, Black
11	1717163	1	KEYS, Set of 2
12	1716329	1	SWITCH, Electric Lift, 6 Terminal
13	1724967	1	PANEL, Instrument (Includes Ref. Nos. 14 & 15)
14	1717634	10	BULB, Instrument Panel
15	1729948	10	SEAL, Lamp Socket Plug
16	1722061	10	HOLDER, Bulb, Instrument Panel (Includes Ref. No. 15)
17	1960578	4	SCREW, Hex Washer Head, Thread Cutting, #12-24 x 5/8
18	1725534	1	BREAKER, Circuit 12VOLT 10AMP
19	1665238	1	BREAKER, Circuit 12VOLT 20AMP with Tab
20	1716951	1	SWITCH, Headlights, 2 Terminal
21	1722887	1	SWITCH, PTO Push/Pull, Yellow
22	1701343	2	RELAY, 12VOLT 5 Blade
23	1933896	1	NUT, Hex Lock 10-24 with Nylock Insert, NC3B
24	1960589	1	SCREW, Round Head Phillips #10-24 x 3/4
25	1701343	1	RELAY, Glow Plug
26	1724774	1	HARNESS, Main Diesel
27	1719680	2	COVER, Wire, Black, Vynil
28	1928919	2	NUT, Hex & Washer Assembly, KEPS
29	1719311	1	BREAKER, Circuit 30AMP 12VOLT
30	122023	1	COVER, Terminal Red
31	1725263	1	CABLE, Battery, # 4 x 10 in Long, Black
32	920426	1	LOCKWASHER, External Tooth 5/16
33	1918266	1	WASHER, 3/8
34	950017	1	CAPSCREW, Hex Head M08-1.25 x 16MM
35	1713534	1	INSULATOR, Battery Terminal, Red
36	1725262	1	CABLE, Battery, # 4 x 15 in Long, Red
37	1917356	1	LOCKWASHER, Spring 5/16
38	960433	1	NUT, Hex Flange M08-1.25
39	1724588	1	BOOT, Cable Terminal
40	1722843	1	BATTERY, 12VOLT 6CELL 500AMPS CCA
41	1933737	4	SCREW, Hew Washer Head Slot, #10-24 x 5/8
42	1717050	1	SWITCH, Push Button, Cruise Control
43	1701521	1	SWITCH, Push Button, Foot Pedal
44	1960591	4	NUT, Hex KEPS #10-24

### Footnotes

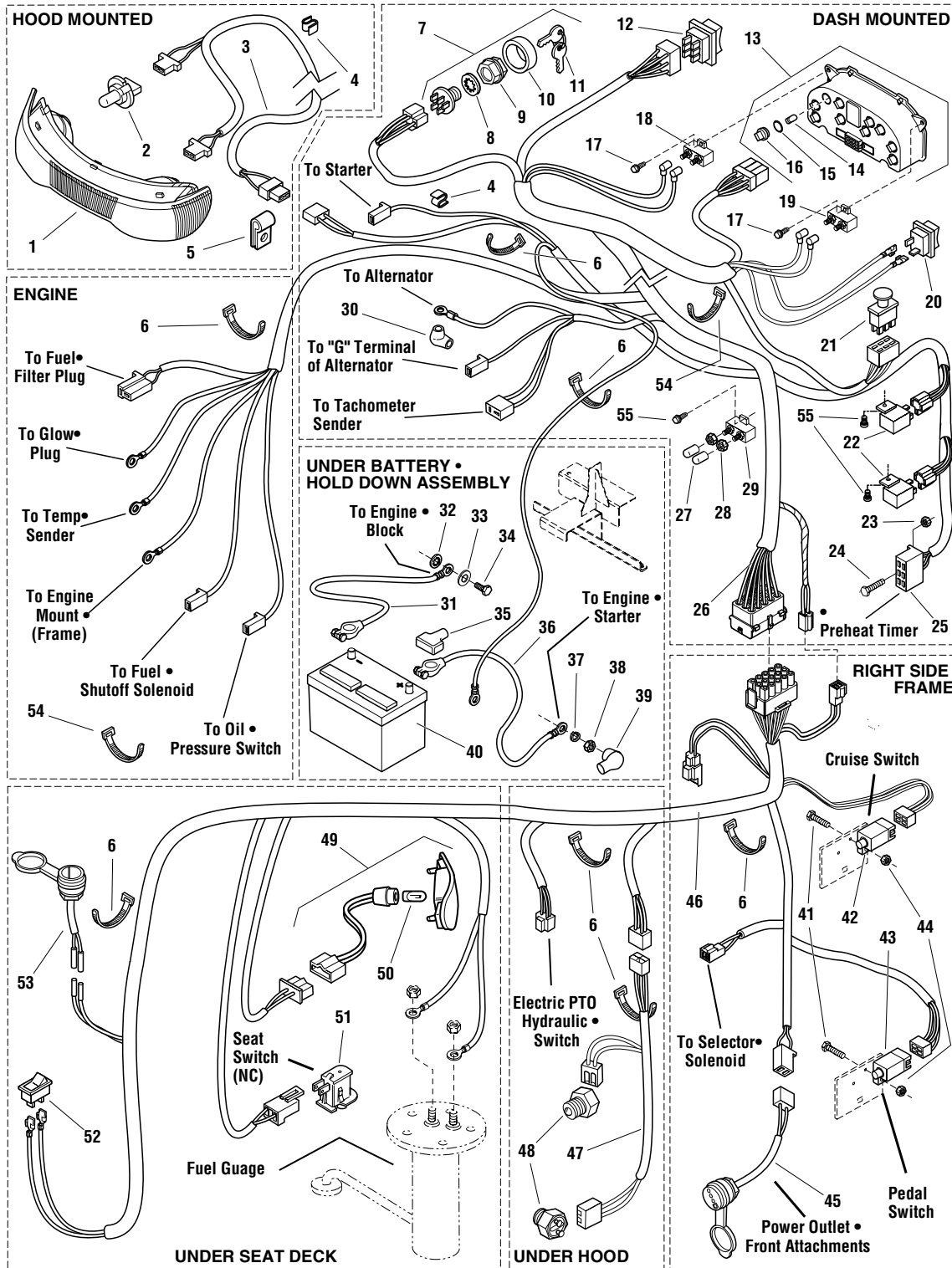
#### The above parts group applies to the following Mfg. Nos.:

1694413 - Legacy XL  
 1694418 - Legacy XL  
 1694505 - 2927  
 1694506 - Legacy XL  
 1694539 - 2027  
 1694540 - 2927  
 1694541 - 2027  
 1694549 - Legacy XL  
 1694550 - 2927

# Electrical Group - 27HP Briggs & Stratton Diesel

986323

NOTE: Unless noted otherwise, use the standard hardware torque specification chart.



The above parts group applies to the following Mfg. Nos.:

- |                     |                     |
|---------------------|---------------------|
| 1694413 - Legacy XL | 1694541 - 2027      |
| 1694418 - Legacy XL | 1694549 - Legacy XL |
| 1694505 - 2927      | 1694550 - 2927      |
| 1694506 - Legacy XL |                     |
| 1694539 - 2027      |                     |
| 1694540 - 2927      |                     |

## **Electrical Group - 27HP Briggs & Stratton Diesel**

---

<b>REF NO</b>	<b>PART NO.</b>	<b>QTY.</b>	<b>DESCRIPTION</b>
45	1716987	1	HARNESS ASSEMBLY, Power Outlet
46	1724777	1	HARNESS, Rear
47	1724963	1	HARNESS, Transmission, PTO Lights (540 PTO Only)
48	1654634	2	SWITCH, Interlock Ball Check 5/16 (540 PTO Only)
49	1715915	2	TAIL LIGHT ASSEMBLY
50	1717650	2	BULB, Tail Light
51	1704379	1	SWITCH, Push Button, Operator Present
52	1725212	1	SWITCH, Rocker, Solenoid Select
53	1725302	1	POWER OUTLET, 12VOLT with Dust Cap
54	1701011	3	TIE, Self Locking 15 in. Long
55	1704351	3	FASTENER, Panel

### **Footnotes**

---

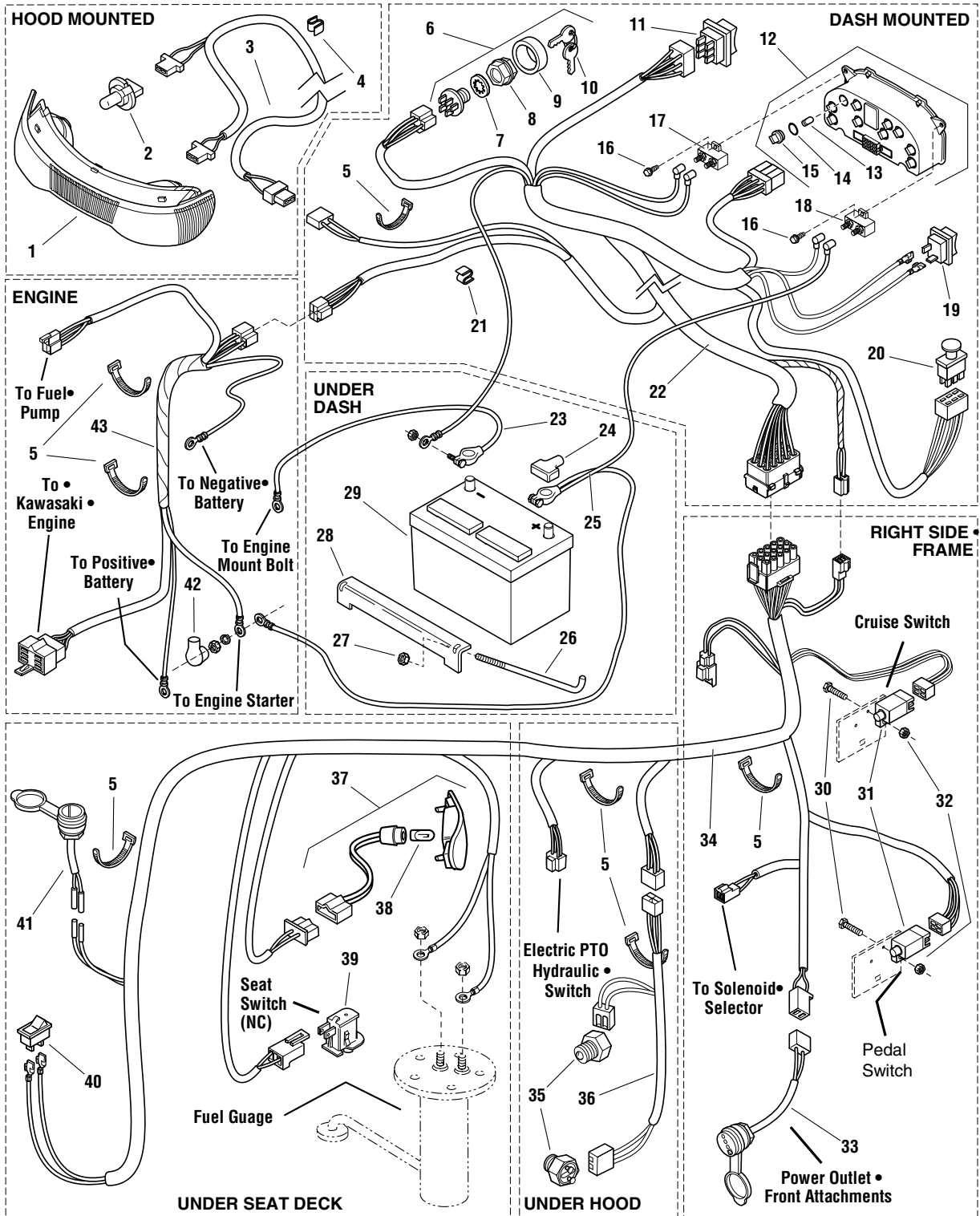
**The above parts group applies to the following Mfg. Nos.:**

1694413 - Legacy XL                      1694541 - 2027  
1694418 - Legacy XL                      1694549 - Legacy XL  
1694505 - 2927                              1694550 - 2927  
1694506 - Legacy XL  
1694539 - 2027  
1694540 - 2927

# Electrical Group - 27HP Kohler & Kawasaki

986325

NOTE: Unless noted otherwise, use the standard hardware torque specification chart.



The above parts group applies to the following Mfg. Nos.:

- |                     |                     |
|---------------------|---------------------|
| 1694416 - Legacy XL | 1694447 - 2927      |
| 1694417 - Legacy XL | 1694448 - 2927      |
| 1694420 - Legacy XL | 1694451 - Legacy XL |
| 1694428 - 2927      | 1694501 - 2027      |
| 1694445 - Legacy XL | 1694502 - 2027      |
| 1694446 - Legacy XL | 1694503 - 2027      |

## Electrical Group - 27HP Kohler & Kawasaki

REF NO	PART NO.	QTY.	DESCRIPTION
1	1715923	1	HEADLIGHT ASSEMBLY
2	1717649	2	BULB, Headlight Halogen
3	1716198	1	HARNESS, Wiring, Headlight
4	930222	1	CLIP, Wire
5	925094	7	TIE, Self Locking
6	1716061	1	SWITCH ASSEMBLY, Ignition
7	1960547	1	LOCKWASHER, Internal Tooth
8	1717549	1	NUT, Hex, Flange, 5/8-32, Ignition Switch Die Cast
9	1717550	1	COVER, Ignition Switch
10	1717163	1	KEYS, Set of 2
11	1716329	1	SWITCH, Electrical Lift
12	1724966	1	PANEL, Instrument (Includes Ref. Nos. 13, 14 & 15)
13	1717634	10	BULB, Instrument Panel
14	1729948	10	SEAL, Lamp Socket Plug
15	1722061	10	HOLDER, Bulb (Includes Ref. No. 14)
16	1960578	4	SCREW, Hex Washer Head, 12-24 x 5/8
17	1725534	1	BREAKER, Circuit 12Volt, 10Amps
18	1665238	1	BREAKER, Circuit 12Volt, 20Amps with Tab 9/32
19	1716951	1	SWITCH, Headlights
20	1722887	1	SWITCH, PTO Push/Pull Symbols
21	172434	1	CLIP, Wire
22	1724776	1	HARNESS, Wiring
23	1716333	1	CABLE, 1 Ring, 1 Battery Terminal
24	1713534	1	INSULATOR, Battery Terminal
25	1725324	1	CABLE, 1 Ring, 1 Battery Terminal
26	1725070	2	ROD
27	1960685	2	NUT, Hex KEPS, 1/4-20 Conical Washer
28	1718596	1	BRACKET, Battery Hold Down
29	1722843	1	BATTERY, 12 Volt, 6 Cell, 500 Amps
30	1933737	4	SCREW, Hex Washer Head Slot 10-24 x 5/8
31	1717050	2	SWITCH, Push Button, Neutral, Start
32	1960591	4	NUT, Hex KEPS, 10-24
33	1716987	1	HARNESS ASSEMBLY, Power Outlet, 8" Long
34	1724777	1	HARNESS, Rear
35	1654634	2	SWITCH, Interlock Ball Check 5/16 Long Thread
36	1724963	1	HARNESS, PTO Lights
37	1715915	1	TAIL LIGHT ASSEMBLY
38	1717650	2	BULB, Tail Light
39	1714770	1	SWITCH, Push Button Foot Pedal
40	1725212	1	SWITCH, Rocker Solenoid, Select
41	1725302	1	POWER OUTLET, 12 Volt With Dust Cap
42	1724588	1	BOOT, Cable Terminal
43	1725406	1	HARNESS, Jumper

### Footnotes

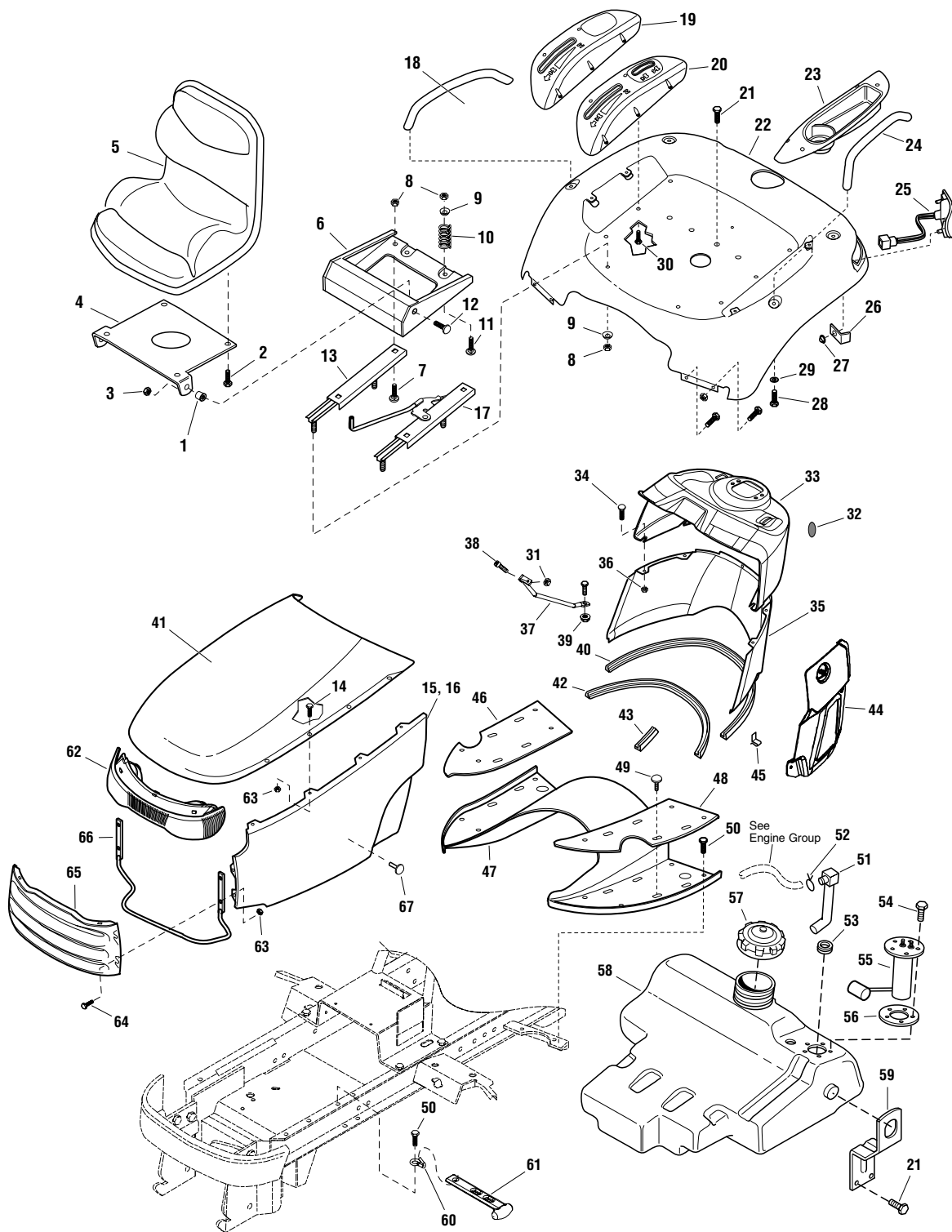
#### The above parts group applies to the following Mfg. Nos.:

1694416 - Legacy XL	1694447 - 2927
1694417 - Legacy XL	1694448 - 2927
1694420 - Legacy XL	1694451 - Legacy XL
1694428 - 2927	1694501 - 2027
1694445 - Legacy XL	1694502 - 2027
1694446 - Legacy XL	1694503 - 2027

# Body Group

986316

**NOTE:** Unless noted otherwise,  
use the standard hardware torque  
specification chart.



**The above parts group applies to the following Mfg. Nos.:**

- |                     |                     |                     |                     |
|---------------------|---------------------|---------------------|---------------------|
| 1694413 - Legacy XL | 1694445 - Legacy XL | 1694502 - 2027      | 1694541 - 2027      |
| 1694416 - Legacy XL | 1694446 - Legacy XL | 1694503 - 2027      | 1694549 - Legacy XL |
| 1694417 - Legacy XL | 1694447 - 2927      | 1694505 - 2927      | 1694550 - 2927      |
| 1694418 - Legacy XL | 1694448 - 2927      | 1694506 - Legacy XL |                     |
| 1694420 - Legacy XL | 1694451 - Legacy XL | 1694539 - 2027      |                     |
| 1694428 - 2927      | 1694501 - 2027      | 1694540 - 2927      |                     |



## Body Group

REF NO	PART NO.	QTY.	DESCRIPTION
1	1663752	2	SPACER
2	1960667	9	SCREW, Hex, Flange Whiz Lock, Dog Point, 5/16-18 x 1
3	1960687	2	NUT, Hex, Flange ESNA Lock, Black 3/8-16
4	1723707	1	PAN, Seat
5	1725300	1	SEAT, Black
6	1716977	1	SUPPORT, Seat Lower
7	1931333	4	CARRIAGE BOLT, Black, 5/16-18 x 3/4
8	1960686	6	NUT, Nut, Flange Lock, ESNA, 5/16-18
9	1709256	6	LOCKWASHER, Black
10	1717051	2	SPRING, Seat
11	1931335	2	CARRIAGE BOLT, Black, 5/16-18 x 1
12	1931350	2	CARRIAGE BOLT, Black, 3/8-16 x 1
13	1717009	1	SLIDE, Seat
14	1960295	8	CAPSCREW, Hex, Head, 1/4-20x 5/8
15	1725822	1	PANEL, Side RH, Legacy XL
16	1725821	1	PANEL, Side LH, Legacy XL
17	1717008	1	SLIDE, Seat, LH
18	1716336	1	HANDLE, Grab, RH, Black
19	1724583	1	POD, Legacy XL, 2WD
20	1725289	1	POD, Legacy XL, 4WD
21	1664847	6	CAPSCREW, Hex, Washer Head, Taptite, Black, 5/16-18 x 3/4
22	1724581	1	DECK, Seat, Legacy XL
23	1725290	1	POD, Legacy XL, LH
24	1716335	1	HANDLE, Grab, LH, Black
25	1715915	2	TAIL LIGHT ASSEMBLY
26	1718048	4	CLIP, "L"
27	1933988	4	NUT, Push, Black, 5/16
28	1925205	4	CAPSCREW, Hex Head, Black, 5/16-18 x 5/8
29	1960044	4	WASHER, Black, 5/16
30	1960578	10	CAPSCREW, Hex Washer Head, #12-24 x 5/8
31	1933896	1	NUT, Nylock, # 10-24
32	1718611	1	PLUG, Dashboard, Diesel
33	1724584	1	DASH, Upper, Black, Diesel
33	1724171	1	DASH, Upper, Black, Gas
34	1960252	4	CARRIAGEBOLT, Black, 1/4-20 x 5/8
35	1725032	1	DASH, Lower, Black, Diesel
35	1725031	1	DASH, Lower, Black, Gas
36	1960685	4	NUT, Hex, KEPS, Black, 1/4-20
37	1724869	1	ROD, Dash Support
38	1960393	1	SCREW, Phillips, Pan Head, Black, #10-24 x 1
39	1960684	9	NUT, Hex, Keps, Black, 5/16-18
40	1725652	1	EDGING, Rubber, Black, 31" Long
41	1725658	1	HOOD & SCREEN ASSEMBLY
42	1725654	1	EDGING, Rubber, Black, 23" Long

### Footnotes

\* Part number(s) not available at this time.

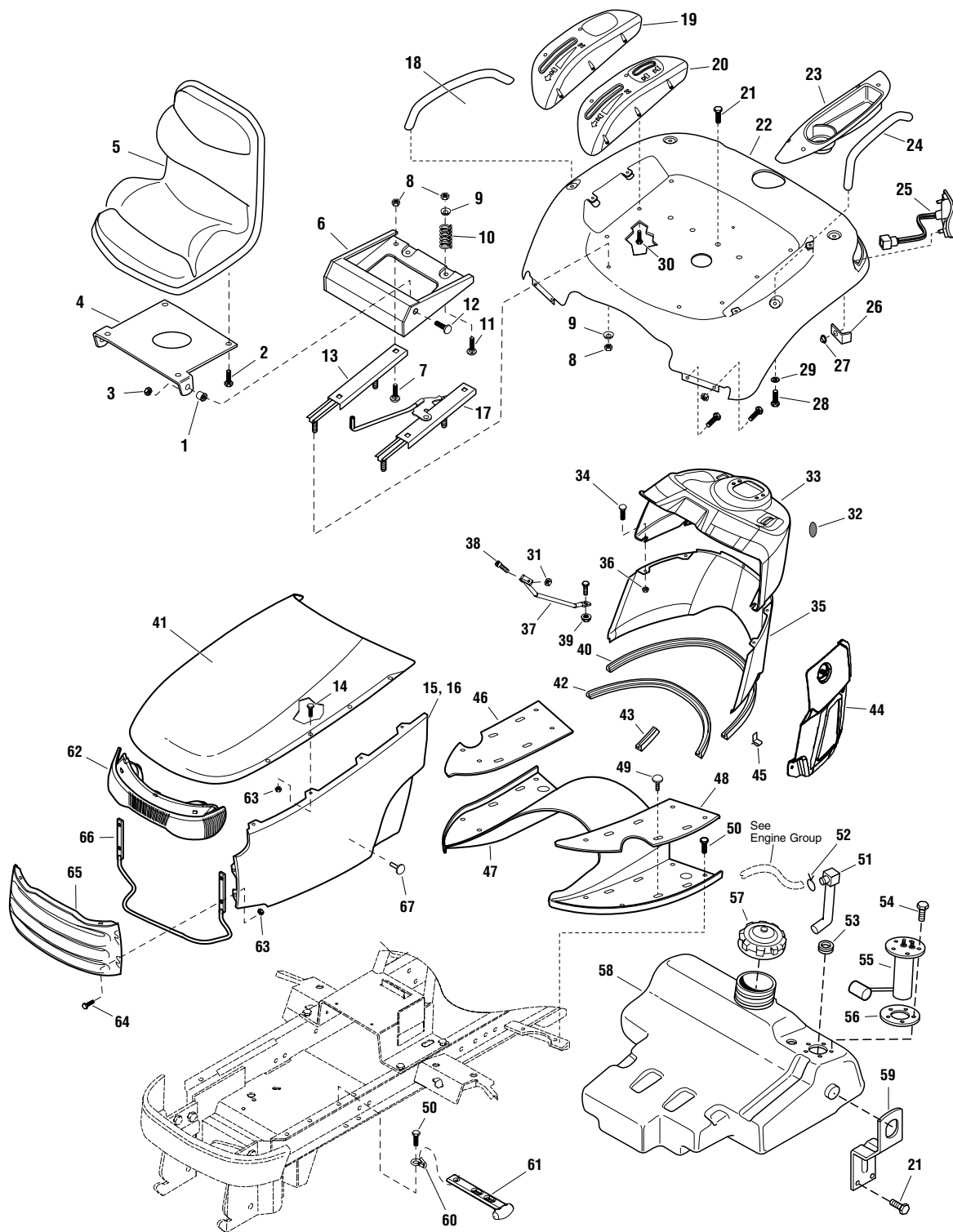
### The above parts group applies to the following Mfg. Nos.:

1694413 - Legacy XL	1694445 - Legacy XL	1694502 - 2027	1694541 - 2027
1694416 - Legacy XL	1694446 - Legacy XL	1694503 - 2027	1694549 - Legacy XL
1694417 - Legacy XL	1694447 - 2927	1694505 - 2927	1694550 - 2927
1694418 - Legacy XL	1694448 - 2927	1694506 - Legacy XL	
1694420 - Legacy XL	1694451 - Legacy XL	1694539 - 2027	
1694428 - 2927	1694501 - 2027	1694540 - 2927	

# Body Group

986316

**NOTE:** Unless noted otherwise,  
use the standard hardware torque  
specification chart.



**The above parts group applies to the following Mfg. Nos.:**

- |                     |                     |                     |                     |
|---------------------|---------------------|---------------------|---------------------|
| 1694413 - Legacy XL | 1694445 - Legacy XL | 1694502 - 2027      | 1694541 - 2027      |
| 1694416 - Legacy XL | 1694446 - Legacy XL | 1694503 - 2027      | 1694549 - Legacy XL |
| 1694417 - Legacy XL | 1694447 - 2927      | 1694505 - 2927      | 1694550 - 2927      |
| 1694418 - Legacy XL | 1694448 - 2927      | 1694506 - Legacy XL |                     |
| 1694420 - Legacy XL | 1694451 - Legacy XL | 1694539 - 2027      |                     |
| 1694428 - 2927      | 1694501 - 2027      | 1694540 - 2927      |                     |

## Body Group

REF NO	PART NO.	QTY.	DESCRIPTION
43	1725653	1	EDGING, Rubber, Black, 2-5/8" Long
44	1725028	1	COVER, Dash, Black, Diesel
45	1717523	1	CLIP, "U"
46	1724580	1	PAD, Footrest, RH
47	1724268	1	TUNNEL, Legacy XL
48	1724579	1	PAD, Footrest, LH
49	1704351	19	FASTENER, Panel
50	1925003	7	CAPSCREW, Hex, Washer Head, Taptite, Black, 1/4-20 x 1/2
51	1717076	2	ELBOW & TUBE ASSEMBLY
52	*	1	CLIP
53	1654930	2	BUSHING
54	960665	5	SCREW, Pan Head, Torx, SEMS, #10-32 x 1/2
55	1725301	1	SENDER, Fuel
56	1685303	1	GASKET
57	1718633	1	CAP, Fuel, Diesel
57	1715917	1	CAP, Fuel, Gas
58	1725269	1	TANK, Fuel, Diesel
58	1724564	1	TANK, Fuel, Gas
59	1716927	2	SUPPORT, Fuel Tank
60	1723168	2	HOOK
61	171600	2	STRAP, Hood, Black Rubber
62	1715923	1	HEADLIGHT ASSEMBLY
63	1930641	12	NUT, Hex, Flange Whiz Lock, Black, 1/4-20
64	1960611	4	CAPSCREW, Hex, Whiz Lock, Black, 1/4-20 x 1
65	1725631	1	GRILL, Legacy XL
66	1718479	1	ROD, Hood Hinge
67	1726044	4	SCREW, Binding

### Footnotes

\* Part number(s) not available at this time.

### The above parts group applies to the following Mfg. Nos.:

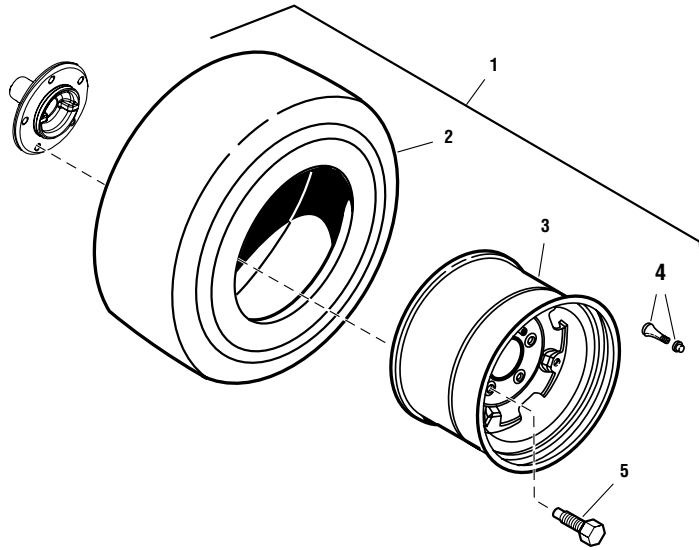
1694413 - Legacy XL	1694445 - Legacy XL	1694502 - 2027	1694541 - 2027
1694416 - Legacy XL	1694446 - Legacy XL	1694503 - 2027	1694549 - Legacy XL
1694417 - Legacy XL	1694447 - 2927	1694505 - 2927	1694550 - 2927
1694418 - Legacy XL	1694448 - 2927	1694506 - Legacy XL	
1694420 - Legacy XL	1694451 - Legacy XL	1694539 - 2027	
1694428 - 2927	1694501 - 2027	1694540 - 2927	

# Wheel & Tires Group

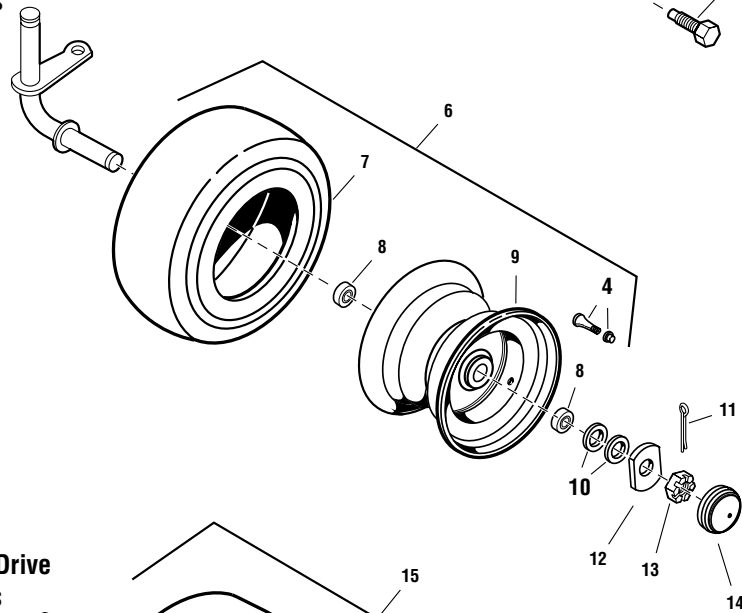
**NOTE:** Unless noted otherwise, use the standard hardware torque specification chart.

986335

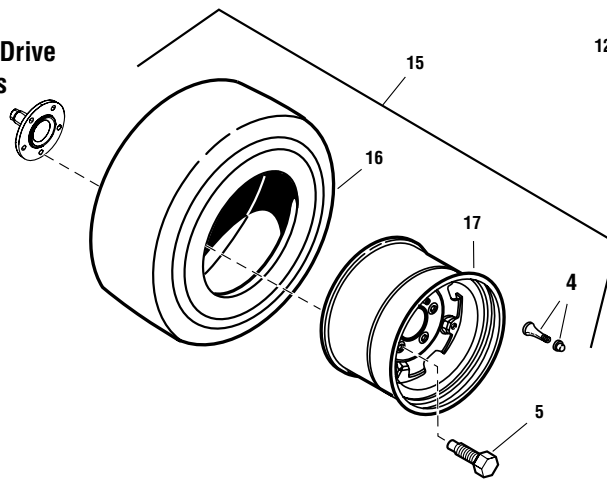
## Rear 2 and 4 Wheel Drive Wheels & Tires



## Front 2 Wheel Drive Wheels & Tires



## Front 4 Wheel Drive Wheels & Tires



**The above parts group applies to the following Mfg. Nos.:**

1694413 - Legacy XL	1694445 - Legacy XL	1694502 - 2027	1694541 - 2027
1694416 - Legacy XL	1694446 - Legacy XL	1694503 - 2027	1694549 - Legacy XL
1694417 - Legacy XL	1694447 - 2927	1694505 - 2927	1694550 - 2927
1694418 - Legacy XL	1694448 - 2927	1694506 - Legacy XL	
1694420 - Legacy XL	1694451 - Legacy XL	1694539 - 2027	
1694428 - 2927	1694501 - 2027	1694540 - 2927	

## Wheel & Tires Group

REF NO	PART NO.	QTY.	DESCRIPTION
1	1724845	2	WHEEL & TIRE ASSEMBLY, Rear, Turf Tires (Includes Reference Nos. 2, 3, & 4)
1	1726030	2	WHEEL & TIRE ASSEMBLY, Rear, HD Field Trac (Includes Reference Nos. 2, 3, & 4)
2	*	2	TIRE, Field Trac, 26 x 12-12
2	1725724	2	TIRE, Turf, 26 x 12-12
3	1725723	2	WHEEL ASSEMBLY
4	1725718	2	VALVE STEM & CAP
5	8261100	10	HUB BOLT (Quantity 20 total for 4 Wheel Drive Models)
6	1724848	2	WHEEL & TIRE ASSEMBLY, Front, 2 Wheel Drive Models, Turf Tires (Includes Reference Nos. 4, 7, 8, & 9)
7	1725720	2	TIRE, Turf, 18 x 8.5-8
8	1725722	4	BEARING
9	1725721	2	WHEEL ASSEMBLY, Front, 2 Wheel Drive
10	960202	4	WASHER
11	918454	2	PIN, Cotter
12	1722717	2	WASHER, Special
13	1960387	2	NUT, Hex, Slotted, 3/4-16, Black
14	1722676	2	CAP, Hub, Grey
15	1724849	2	WHEEL & TIRE ASSEMBLY, Front, 4 Wheel Drive, Turf Tires, (Includes Reference Nos. 4, 7, & 17)
15	1726032	2	WHEEL & TIRE ASSEMBLY, Front, 4 Wheel Drive, HD Field Trac, (Includes Reference Nos. 4, 7, & 16)
16	*	2	TIRE, Field Trac, 18 x 8.5-10
17	1725719	2	WHEEL ASSEMBLY, Front, 4 Wheel Drive

### Footnotes

\* Part number(s) not available at this time.

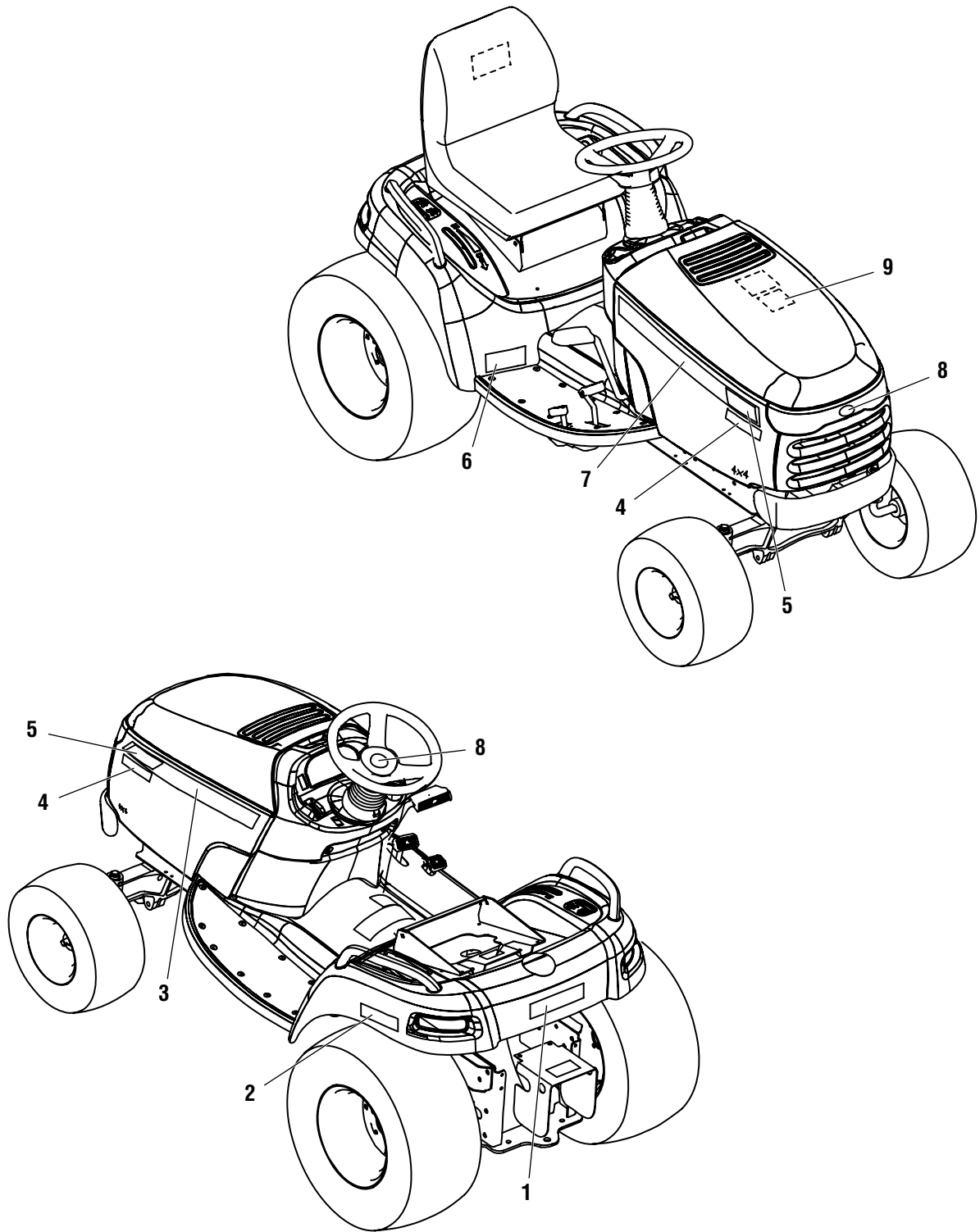
### The above parts group applies to the following Mfg. Nos.:

1694413 - Legacy XL	1694445 - Legacy XL	1694502 - 2027	1694541 - 2027
1694416 - Legacy XL	1694446 - Legacy XL	1694503 - 2027	1694549 - Legacy XL
1694417 - Legacy XL	1694447 - 2927	1694505 - 2927	1694550 - 2927
1694418 - Legacy XL	1694448 - 2927	1694506 - Legacy XL	
1694420 - Legacy XL	1694451 - Legacy XL	1694539 - 2027	
1694428 - 2927	1694501 - 2027	1694540 - 2927	

## Decals Group - Brand & Model

NOTE: Unless noted otherwise,  
use the standard hardware torque  
specification chart.

B986332



### The above parts group applies to the following Mfg. Nos.:

1694413 - Legacy XL	1694445 - Legacy XL	1694502 - 2027	1694541 - 2027
1694416 - Legacy XL	1694446 - Legacy XL	1694503 - 2027	1694549 - Legacy XL
1694417 - Legacy XL	1694447 - 2927	1694505 - 2927	1694550 - 2927
1694418 - Legacy XL	1694448 - 2927	1694506 - Legacy XL	
1694420 - Legacy XL	1694451 - Legacy XL	1694539 - 2027	
1694428 - 2927	1694501 - 2027	1694540 - 2927	

## Decals Group - Brand & Model

REF NO	PART NO.	QTY.	DESCRIPTION
1	1722983	1	DECAL, Simplicity
2	1717313	1	DECAL, Automatic Traction Control, Orange
2	1718025	1	DECAL, Automatic Traction Control, Red
3	1725566	1	DECAL, Hood Stripe, LH, Simplicity
3	1717723	1	DECAL, Hood Stripe, LH, (Massey Ferguson)
3	1723119	1	DECAL, Hood Stripe, LH, (AGCO)
4	1725805	2	DECAL, 27HP LC, Black, (Massey Ferguson)
4	1725806	2	DECAL, 27HP LC, White, (AGCO)
4	1725807	2	DECAL, 27HP V-Twin, Black, (Massey Ferguson)
4	1725808	2	DECAL, 27HP V-Twin, Black, (AGCO)
5	1725777	2	DECAL, 2927, (Massey Ferguson)
5	1725778	2	DECAL, 2027, (AGCO)
6	1725568	1	DECAL, Legacy XL, 27 HP
7	1725567	1	DECAL, Hood Stripe, RH, Simplicity
7	1717722	1	DECAL, Hood Stripe, RH (Massey Ferguson)
7	1723118	1	DECAL, Hood Stripe, RH (AGCO)
8	1717692	2	DECAL, Simplicity Icon
9	1720454	1	DECAL, Touch Up, Orange
9	1725072	1	DECAL, Touch Up, Red

## Footnotes

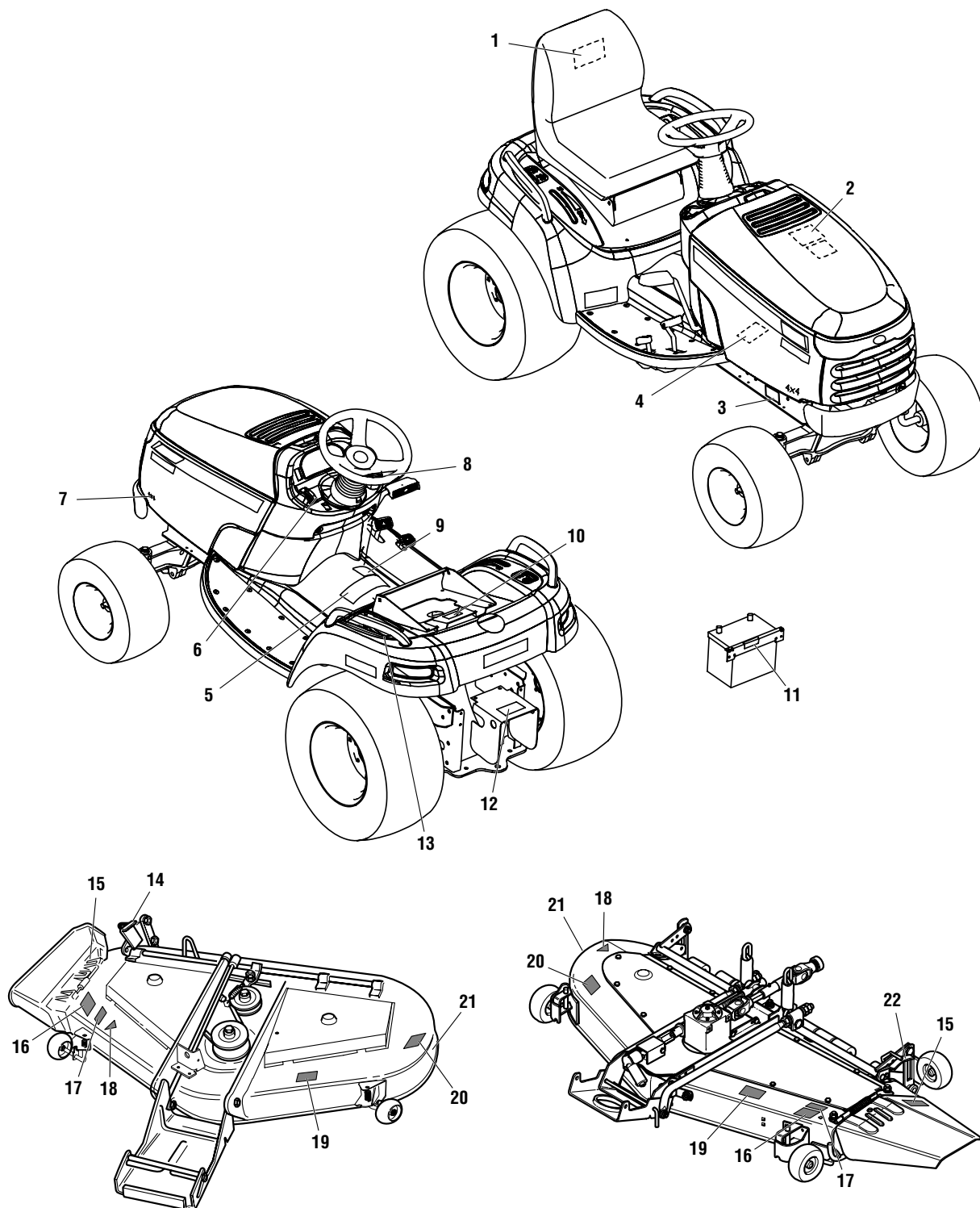
### The above parts group applies to the following Mfg. Nos.:

1694413 - Legacy XL	1694445 - Legacy XL	1694502 - 2027	1694541 - 2027
1694416 - Legacy XL	1694446 - Legacy XL	1694503 - 2027	1694549 - Legacy XL
1694417 - Legacy XL	1694447 - 2927	1694505 - 2927	1694550 - 2927
1694418 - Legacy XL	1694448 - 2927	1694506 - Legacy XL	
1694420 - Legacy XL	1694451 - Legacy XL	1694539 - 2027	
1694428 - 2927	1694501 - 2027	1694540 - 2927	

## Decals Group - Safety & Common

NOTE: Unless noted otherwise,  
use the standard hardware torque  
specification chart.

C986332



### The above parts group applies to the following Mfg. Nos.:

1694413 - Legacy XL	1694445 - Legacy XL	1694502 - 2027	1694541 - 2027
1694416 - Legacy XL	1694446 - Legacy XL	1694503 - 2027	1694549 - Legacy XL
1694417 - Legacy XL	1694447 - 2927	1694505 - 2927	1694550 - 2927
1694418 - Legacy XL	1694448 - 2927	1694506 - Legacy XL	
1694420 - Legacy XL	1694451 - Legacy XL	1694539 - 2027	
1694428 - 2927	1694501 - 2027	1694540 - 2927	



## Decals Group - Safety & Common

REF NO	PART NO.	QTY.	DESCRIPTION
1	1708927	1	DECAL, USA Logo
2	1725573	1	DECAL, Belts & Blades
3	*	1	DECAL, Serial Number
3	*	1	DECAL, Power Mass (Export)
4	1726045	1	DECAL, Rotating Fan Blades
4	1726086	1	DECAL, Rotating Fan Blades (Export)
5	1722814	1	DECAL, Operating Instructions
5	1722814	1	DECAL, Operating Instructions (Export)
6	1725571	1	DECAL, Throttle Speed
7	1726373	2	DECAL, 4 X 4, Simplicity
7	1726374	2	DECAL, 4 X 4, (Massey Ferguson & AGCO)
8	1722806	1	DECAL, Ignition Switch
9	1725603	1	DECAL, Hydraulic Lift
10	1725776	1	DECAL, Transmission Release Valve
11	1716539	1	DECAL, Warning Battery Ground
12	1725575	1	DECAL, Danger, Rotating Parts
12	1725618	1	DECAL, Danger, Rotating Parts (Export)
13	1725574	1	DECAL, PTO Selector Position (540 PTO Models Only)
14	1721197	1	DECAL, Height of Cut, 54" Deck
15	1664141	1	DECAL, Cutting Line
16	1704277	1	DECAL, Danger (Chute in Place)
17	1722791	1	DECAL, 54"
17	1722792	1	DECAL, 60"
17	1722793	1	DECAL, 48"
18	*	1	DECAL, OPEI Certified
19	1720911	1	DECAL, Belt Installation, 54"
19	1725707	1	DECAL, Belt Installation, 60"
19	1725710	1	DECAL, Belt Installation, 48"
20	1704276	1	DECAL, Danger, (Hands Under Deck)
21	1722771	1	DECAL, Free Floating Mower
22	1717583	1	DECAL, Height of Cut, 60" & 48" Mower Decks

### Footnotes

\* Not a Service Part.

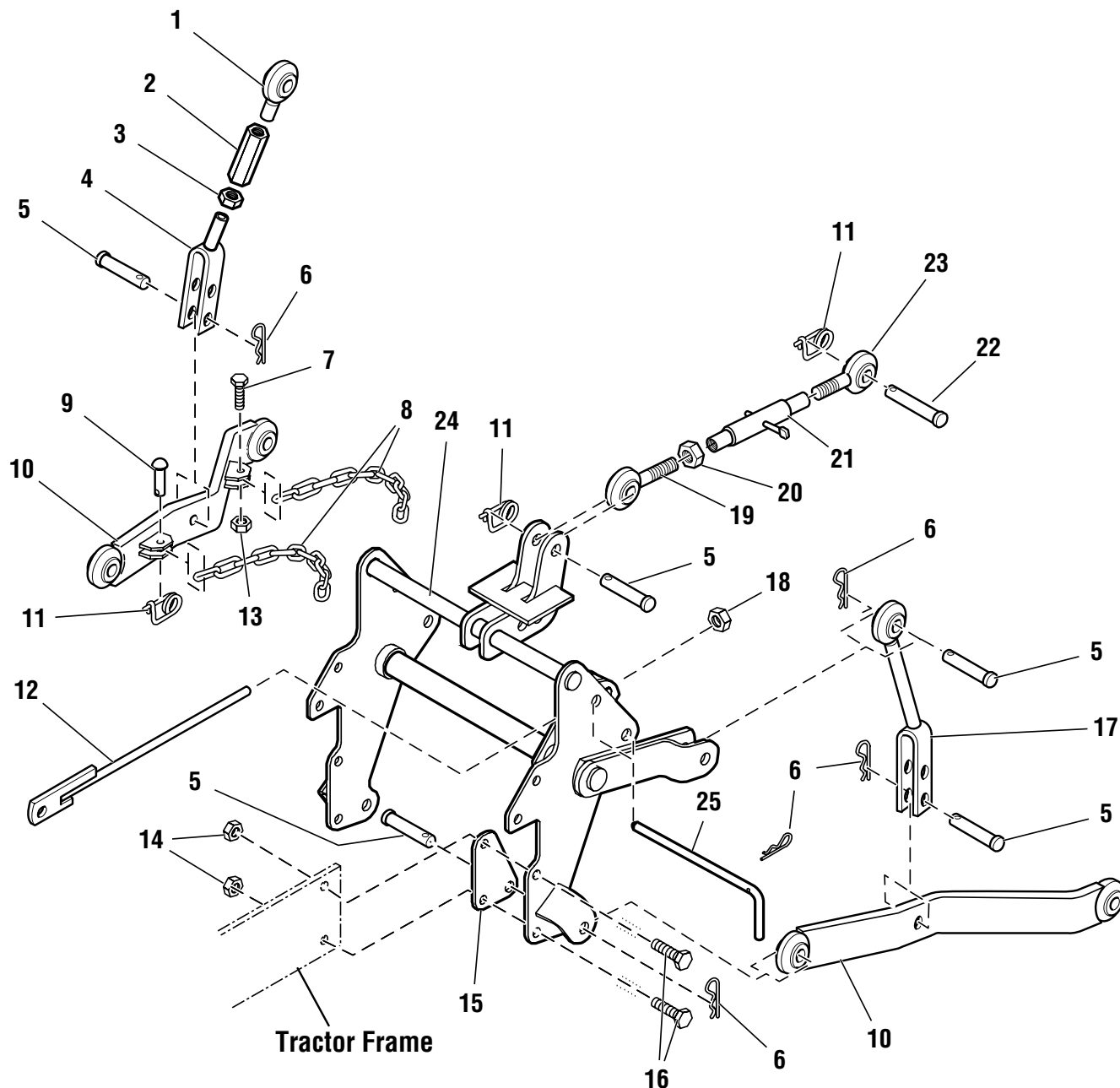
### The above parts group applies to the following Mfg. Nos.:

1694413 - Legacy XL	1694445 - Legacy XL	1694502 - 2027	1694541 - 2027
1694416 - Legacy XL	1694446 - Legacy XL	1694503 - 2027	1694549 - Legacy XL
1694417 - Legacy XL	1694447 - 2927	1694505 - 2927	1694550 - 2927
1694418 - Legacy XL	1694448 - 2927	1694506 - Legacy XL	
1694420 - Legacy XL	1694451 - Legacy XL	1694539 - 2027	
1694428 - 2927	1694501 - 2027	1694540 - 2927	

### 3-Point Hitch Group

986304

NOTE: Unless noted otherwise,  
use the standard hardware torque  
specification chart.



**The above parts group applies to the following Mfg. Nos.:**

1694413 - Legacy XL	1694446 - Legacy XL	1694503 - 2027
1694416 - Legacy XL	1694447 - 2927	1694505 - 2927
1694417 - Legacy XL	1694448 - 2927	1694506 - Legacy XL
1694420 - Legacy XL	1694451 - Legacy XL	1694539 - 2027
1694428 - 2927	1694501 - 2027	1694540 - 2927
1694445 - Legacy XL	1694502 - 2027	1694541 - 2027

### 3-Point Hitch Group

REF NO	PART NO.	QTY.	DESCRIPTION
1	1716422	1	BALL JOINT & STUD ASSEMBLY, RH, Upper
2	1716425	1	TURNBUCKLE, 5/8-18 x 2-1/2
3	1922014	1	NUT, Hex, Jam, 5/8-18
4	1724829	1	CLEVIS ASSEMBLY
5	1725049	7	PIN, Clevis, 5/8 x 2-1/2
6	1960033	8	CLIP, Hair Pin
7	1921969	2	CAPSCREW, Hex Head, 3/8-16 x 1-1/2
8	1700312	2	CHAIN, 16 Link
9	156306	2	PIN, Round Head, 3/4 x 1-1/2
10	1724769	2	LINK & BALL JOINT ASSEMBLY
11	176012	3	PIN, Spring
12	1724763	1	ROD ASSEMBLY, Lift
13	1919439	2	LOCKNUT, Hex, Nylock, 3/8-16
14	1960355	8	LOCKNUT, Hex, 1/2-13
15	1724826	2	SUPPORT, Inner, Pin
16	1920328	8	CAPSCREW, Hex Head, 1/2-13 x 1-1/2
17	1724809	1	CLEVIS ASSEMBLY, Fixed
18	1922134	1	LOCKNUT, Center Lock, 1/2-13
19	1700419	1	STUD & BALL JOINT ASSEMBLY, RH
20	1960297	1	NUT, Jam, 3/4-10
21	1700479	1	TUBE & PIN ASSEMBLY, Upper
22	1725244	1	PIN, Clevis, Rear
23	1725235	1	BALL JOINT & STUD ASSEMBLY
24	1724758	1	HITCH ASSEMBLY
25	1725281	1	ROD, Hitch

### Footnotes

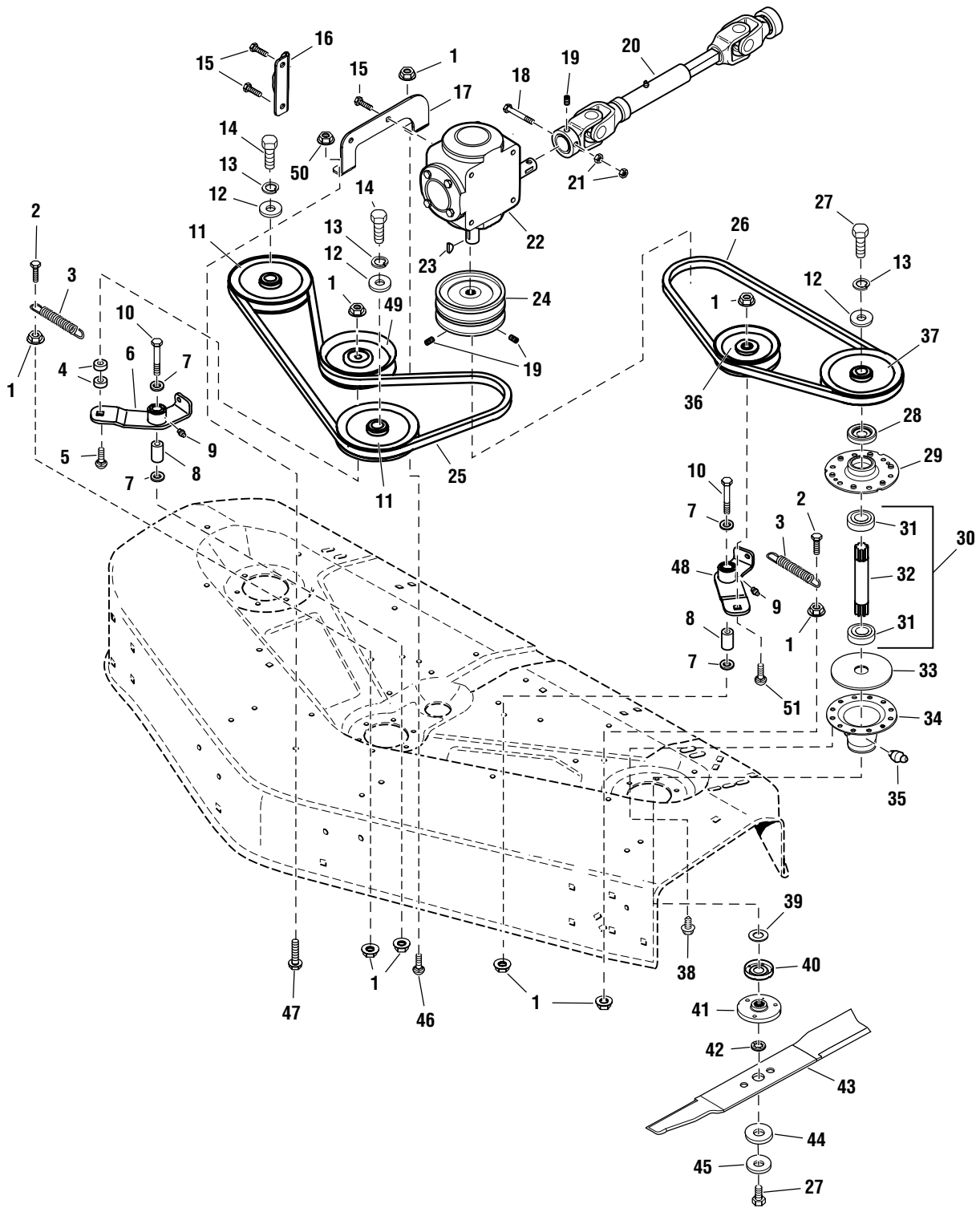
**The above parts group applies to the following Mfg. Nos.:**

1694413 - Legacy XL	1694446 - Legacy XL	1694503 - 2027
1694416 - Legacy XL	1694447 - 2927	1694505 - 2927
1694417 - Legacy XL	1694448 - 2927	1694506 - Legacy XL
1694420 - Legacy XL	1694451 - Legacy XL	1694539 - 2027
1694428 - 2927	1694501 - 2027	1694540 - 2927
1694445 - Legacy XL	1694502 - 2027	1694541 - 2027

# 48" Mower Deck - Arbor & Drive Group

986440

NOTE: Unless noted otherwise,  
use the standard hardware torque  
specification chart.



The above parts group applies to the following Mfg. Nos.:

1694432 - 48" Mower

1694477 - 48" Mower

## 48" Mower Deck - Arbor & Drive Group

REF NO	PART NO.	QTY.	DESCRIPTION
1	1960680	11	NUT, Hex KEPS, 3/8-16, Black
2	1921969	2	CAPSCREW, Hex Head, 3/8-16 x 1-1/2, Black
3	1674671	2	SPRING, Extension
4	1667811	2	SPACER
5	1931353	1	CARRIAGE BOLT, 3/8-16 x 1-3/4, Black
6	1660830	1	IDLER ARM ASSEMBLY (includes Bushings & Ref. No.9)
7	1924940	4	WASHER, 3/8, Black
8	1674669	2	SPACER
9	912808	2	GREASE FITTING
10	1923701	2	CAPSCREW, Hex Head, 3/8-16 x 2, Black
11	1725516	2	PULLEY & HUB ASSEMBLY
12	1933263	3	WASHER, 7/16
13	1918199	3	LOCKWASHER, 7/16
14	1927531	2	CAPSCREW, hex Head, 7/16-14 x 2, G8, Black
15	1960695	1	CAPSCREW, Hex Washer Head, 3/8-16 x 1-1/8, Black
16	1724513	1	SUPPORT, Hieght of Cut
17	1725519	1	SUPPORT, Gearbox
18	1921159	1	CAPSCREW, Hex Head, 1/4-20 x 2-1/4, Black
19	1928721	3	SET SCREW, Square Head, Cup Point, 5/16-18 x 1/2, G8
20	1725217	1	SHAFT ASSEMBLY
21	1923358	2	NUT, Hex Center Lock, 1/4-20, Black
22	1725298	1	GEARBOX, Drive
23	922138	1	KEY, Hi Pro
24	1725210	1	PULLEY & HUB ASSEMBLY
25	1725557	1	V-BELT, Upper
26	174911	1	V-BELT, Lower
27	923471	4	CAPSCREW, Hex Head, 7/16-14 x 1-1/4
28	1657969	3	SHIELD, Bearing
29	1655729	3	HOUSING, Arbor
30	1676278	3	ARBOR SHAFT & BEARINGS ASSEMBLY (Includes Ref. Nos. 31 & 32)
31	108202	2	BEARING
32	1676277	1	SHAFT, Arbor
33	1707335	3	GASKET, Foam
34	1703273	3	HOUSING, Arbor (Includes Ref. No. 35)
35	1704314	3	GREASE FITTING
36	1725372	1	PULLEY, Idler
37	1678663	1	PULLEY & HUB ASSEMBLY
38	1664847	16	CAPSCREW, Hex Washer Head, 5/16-18 x 3/4, Black
39	1700230	3	WASHER
40	1700229	3	SHIELD, Bearing
41	1655777	3	ADAPTER, Blade
42	1657528	3	RING, Retaining, External
43	1679916	3	BLADE, Mower, 16-23/32
44	1679711	3	WASHER, Spline

### Footnotes

The above parts group applies to the following Mfg. Nos.:

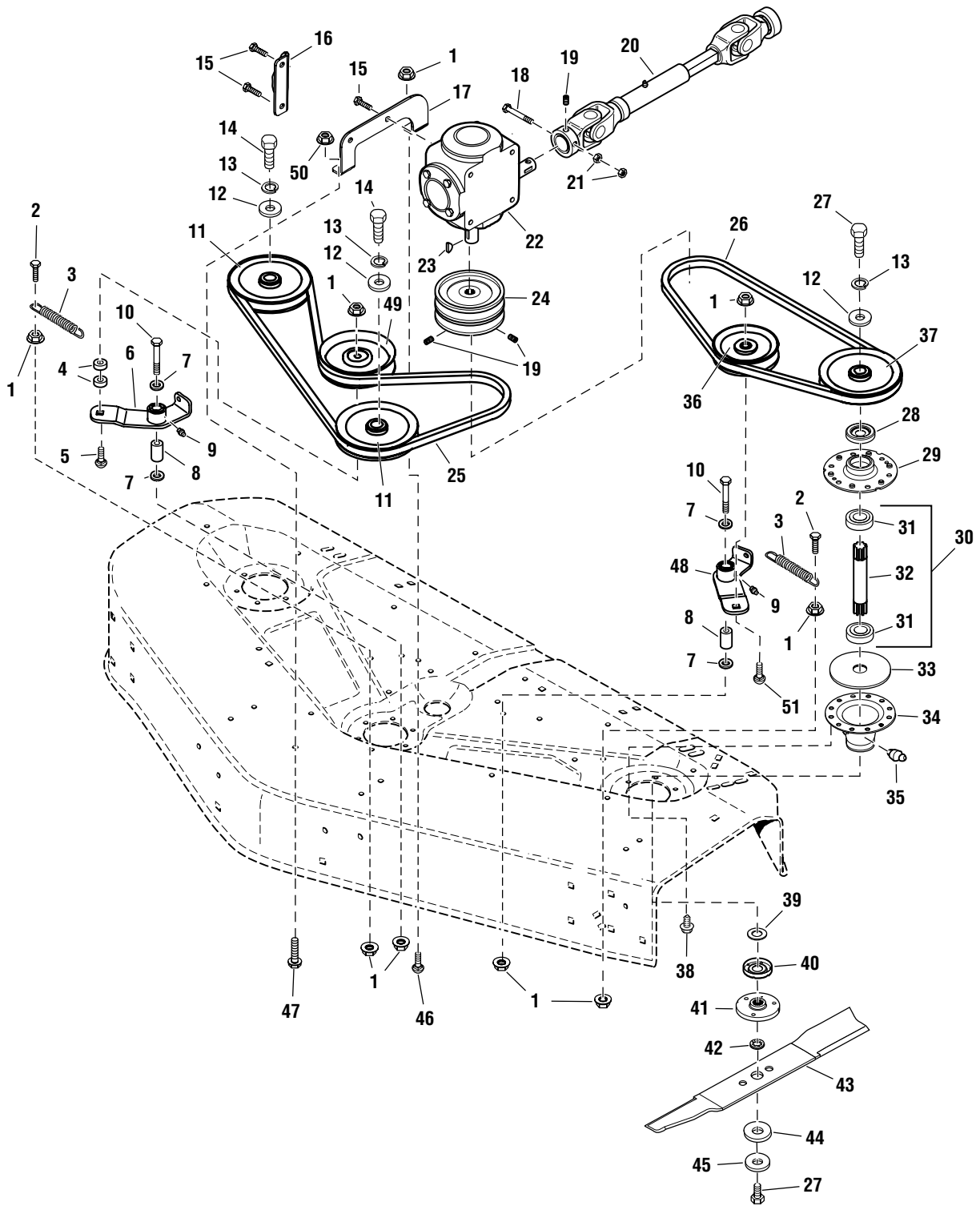
1694432 - 48" Mower

1694477 - 48" Mower

# 48" Mower Deck - Arbor & Drive Group

986440

NOTE: Unless noted otherwise,  
use the standard hardware torque  
specification chart.



The above parts group applies to the following Mfg. Nos.:

1694432 - 48" Mower

1694477 - 48" Mower

## **48" Mower Deck - Arbor & Drive Group**

---

<b>REF NO</b>	<b>PART NO.</b>	<b>QTY.</b>	<b>DESCRIPTION</b>
45	1656916	3	WASHER
46	1931350	1	CARRIAGE BOLT, 3/8-16 x 1, Black
47	1960373	2	CAPSCREW, Hex Washer Head, 5/16-18 x 1, Black
48	1660829	1	IDLER ARM ASSEMBLY (Includes Bushings & Ref. No. 9)
49	1725408	1	PULLEY, Idler
50	1960684	2	NUT, Hex, KEPS, 5/16-18
51	1960268	1	CARRIAGE BOLT, 3/8-16 x 1-1/4, Black

### **Footnotes**

---

**The above parts group applies to the following Mfg. Nos.:**

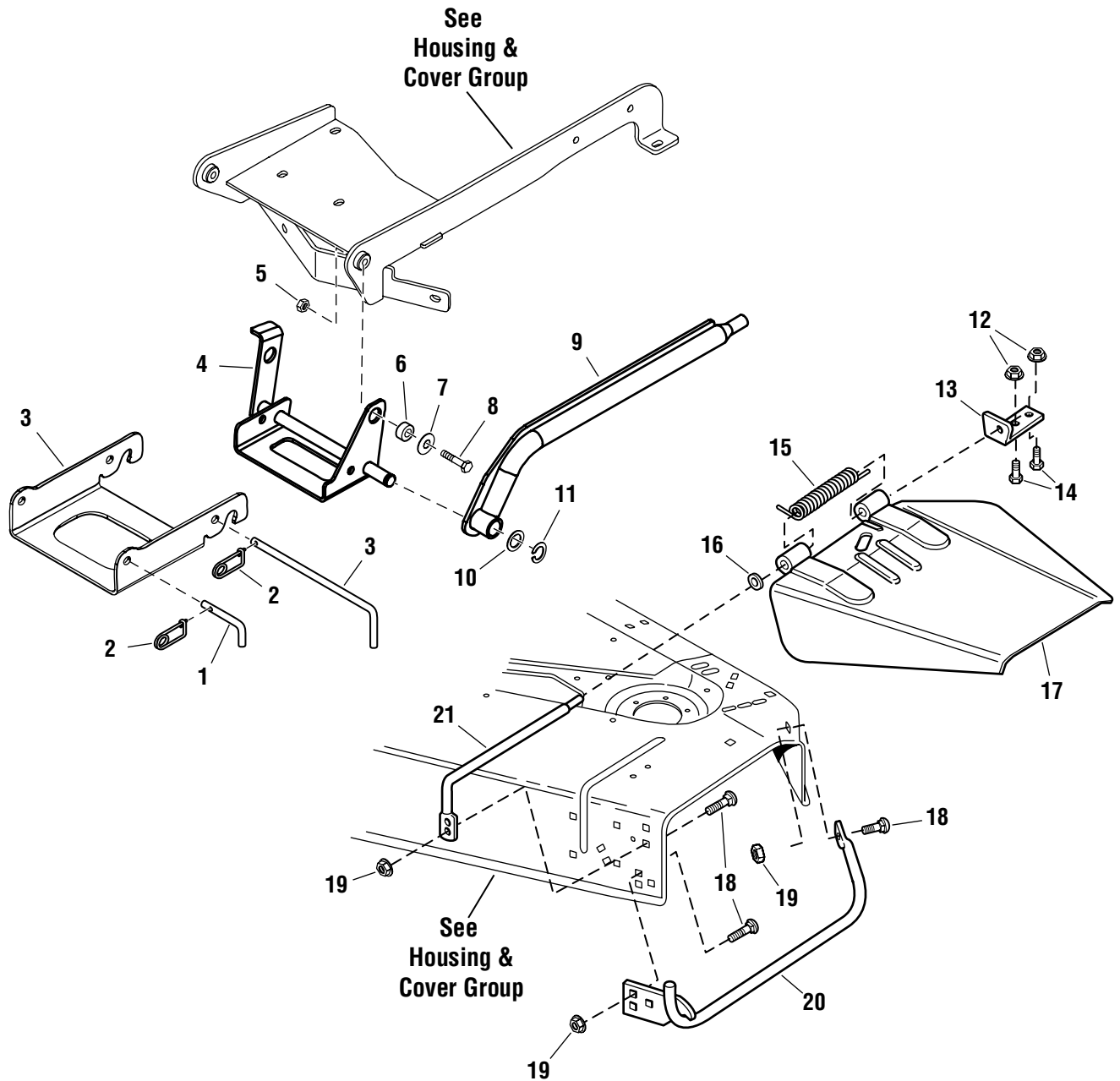
1694432 - 48" Mower

1694477 - 48" Mower

## 48" Mower Deck - Deflector & Hitch Group

986441

NOTE: Unless noted otherwise,  
use the standard hardware torque  
specification chart.



The above parts group applies to the following Mfg. Nos.:

1694432 - 48" Mower

1694477 - 48" Mower



## 48" Mower Deck - Deflector & Hitch Group

REF NO	PART NO.	QTY.	DESCRIPTION
1	1717075	2	PIN
2	176012	3	PIN, Retainer, Spring
3	1715872	1	ROD
3	1724528	1	HITCH
4	1724523	1	HITCH ASSEMBLY
5	960681	2	NUT, Hex Top Flange Lock, 3/8-16
6	1720309	2	SPACER
7	1924356	2	WASHER, 3/8
8	1921971	2	CAPSCREW, Hex Head, 3/8-16 x 1-3/4, Black
9	1725296	1	ARM ASSEMBLY
10	1919394	1	WASHER, 1, Black
11	1725092	1	RING, Retaining, External, 1, Black
12	1960687	6	NUT-HEX FLANGE 3/8-16 ESNA BLK
13	1676203	1	BRACKET
14	1921210	2	CAPSCREW, Hex Head, 3/8-16 x 1, Black
15	1676213	1	SPRING, Torsion
16	1925125	1	WASHER, 7/16, Black
17	1677157	1	DEFLECTOR & HING ASSEMBLY
18	1931350	4	CARRIAGE BOLT, 3/8-16 x 1, Black
20	1677261	1	STONE GUARD & BRACKET ASSEMBLY
21	1676208	1	ROD

### Footnotes

---

**The above parts group applies to the following Mfg. Nos.:**

1694432 - 48" Mower

1694477 - 48" Mower



## 48" Mower Deck - Height Adjustment & Roller Group

REF NO	PART NO.	QTY.	DESCRIPTION
1	925094	1	TIE, Self Locking
2	1716986	1	HARNESS ASSEMBLY
3	1715885	1	MOTOR, Electric
4	960664	3	CAPSCREW, Hex, SEMS Washer Head, Dog Point, 1/4-20 x 7/8
5	1960695	3	CAPSCREW, Hex Wsher Head, 3/8-16 x 1-1/8, Black
6	1725197	1	BRACE, Height of Cut
7	1715886	1	ADAPTER, Motor
8	1960685	1	NUT, Hex, KEPS, 1/4-20, Black
9	1715887	1	HUB
10	1960581	1	PIN, Spring
11	1716998	1	WASHER, Special
12	1725196	1	SUPPORT, Height of Cut
13	1715891	1	BEARING, Thrust
14	1724524	1	ROD & SPACER ASSEMBLY
15	1679166	1	SPACER
16	1715881	1	LEVER
17	1960689	1	NUT, Hex, Toplock Flange, 1/2-13, Black
18	1716424	1	COVER, Rod, Black
19	1704314	1	FITTING, Grease
20	1715892	1	TRUNNION
21	1918459	2	PIN, Cotter
22	960626	10	WASHER, 1/2 x 1-1/4
23	1719748	9	ROLLER
24	172622	2	BOLT, Shoulder, Hex, 3/8-16, Black
25	1924361	2	WASHER, 1/2 x 1-1/4
26	1677507	2	SLIDE
27	960681	4	NUT, Hex Toplock, 3/8-16
28	1704082	2	NUT, Adjuster, Eccentric
29	1719651	1	BAR & SHAFT ASSEMBLY, Roller
30	1960071	2	WASHER, 3/8
31	1715882	1	BAR ASSEMBLY, Roller, LH
32	1714812	2	SPACER, Long
33	1928721	1	SET SCREW, Square Head, 5/16-18 x 1/2, G8
34	1701873	1	SPACER, Short
35	1931353	2	CARRIAGE BOLT, 3/8-16 x 1-3/4
36	1960489	1	CARRIAGE BOLT, 1/2-13 x 2-1/2, Black
37	1960680	8	NUT, Hex, KEPS, 3/8-16, Black
38	1931350	12	CARRIAGE BOLT, 3/8-16 x 1
39	1725500	1	ROCKER SHAFT ASSEMBLY
40	1676088	2	SPACER
41	1676087	2	STRAP, "U"
42	1960615	2	CARRIAGE BOLT, 3/8-16 x 2-1/2, Black
43	1924856	1	CAPSCREW, Hex Head, Taptite, 5/16-18 x 1/2
44	1716481	1	ROD, Indicator

### Footnotes

\* Part number(s) not available at this time.

---

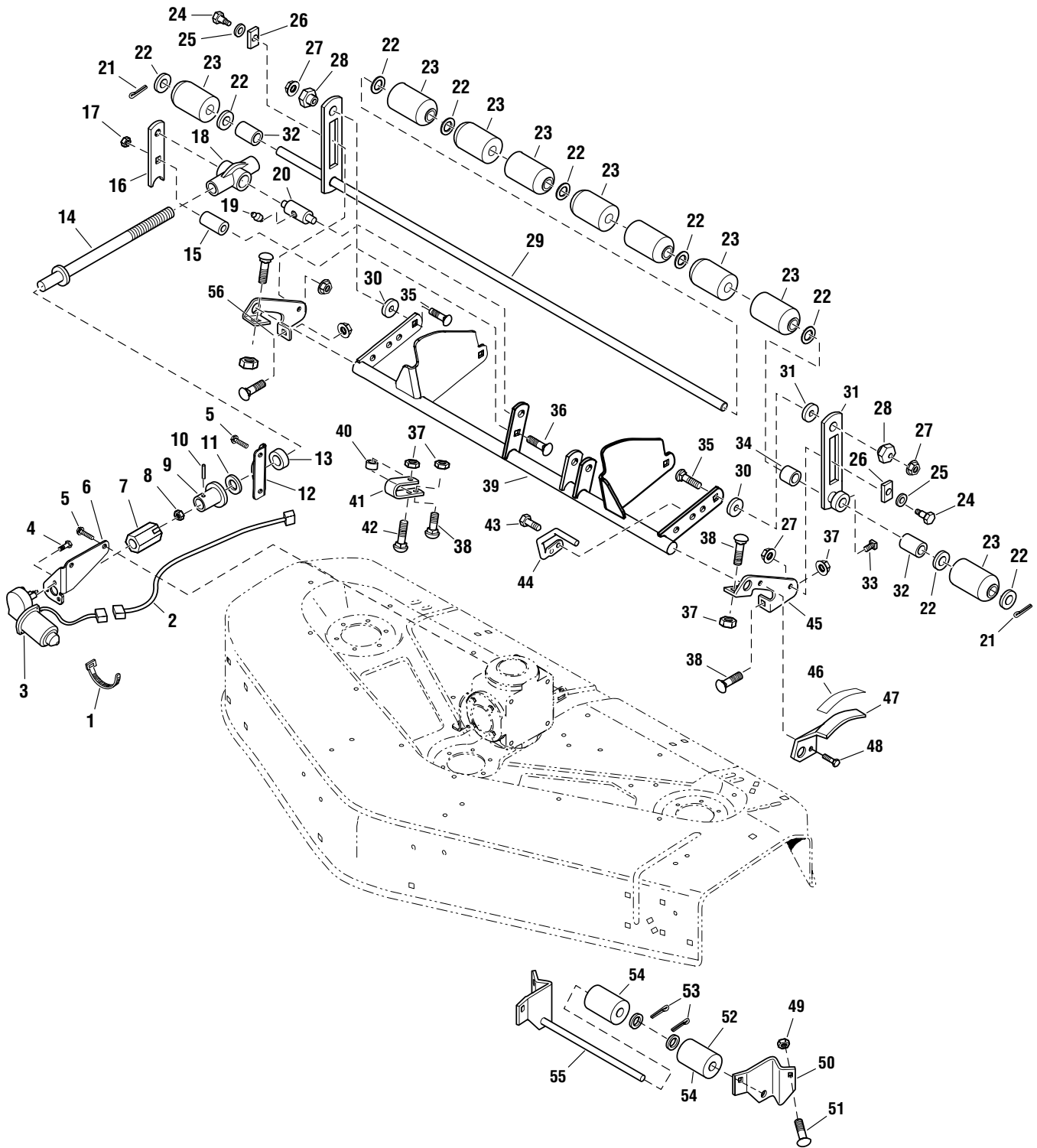
### The above parts group applies to the following Mfg. Nos.:

1694432 - 48" Mower  
1694477 - 48" Mower

# 48" Mower Deck - Height Adjustment & Roller Group

986439

NOTE: Unless noted otherwise,  
use the standard hardware torque  
specification chart.



The above parts group applies to the following Mfg. Nos.:

1694432 - 48" Mower

1694477 - 48" Mower

## **48" Mower Deck - Height Adjustment & Roller Group**

---

<b>REF NO</b>	<b>PART NO.</b>	<b>QTY.</b>	<b>DESCRIPTION</b>
45	1716983	1	BRACKET, Roller, LH
46	*	1	DECAL, Height of Cut
47	1716480	1	PLATE, Height Indicator
48	1929000	1	CAPSCREW, Hex Washer Head, Taptite, 1/4-20 x 3/8
49	1960684	4	NUT, Hex,KEPS, 5/16-18, Black
50	108224	1	BRACKET, Roller, LH
51	1931333	4	CARRIAGE BOLT, 5/16-18 x 3/4, Black
52	1722036	2	ROLLER
53	1918458	2	PIN, Cotter, Black
54	1960020	2	WASHER, 5/8, Black
55	108454	1	BRACKET & SHAFT ASSEMBLY
56	1716982	1	BRACKET, Roller, RH

### **Footnotes**

\* Part number(s) not available at this time.

---

### **The above parts group applies to the following Mfg. Nos.:**

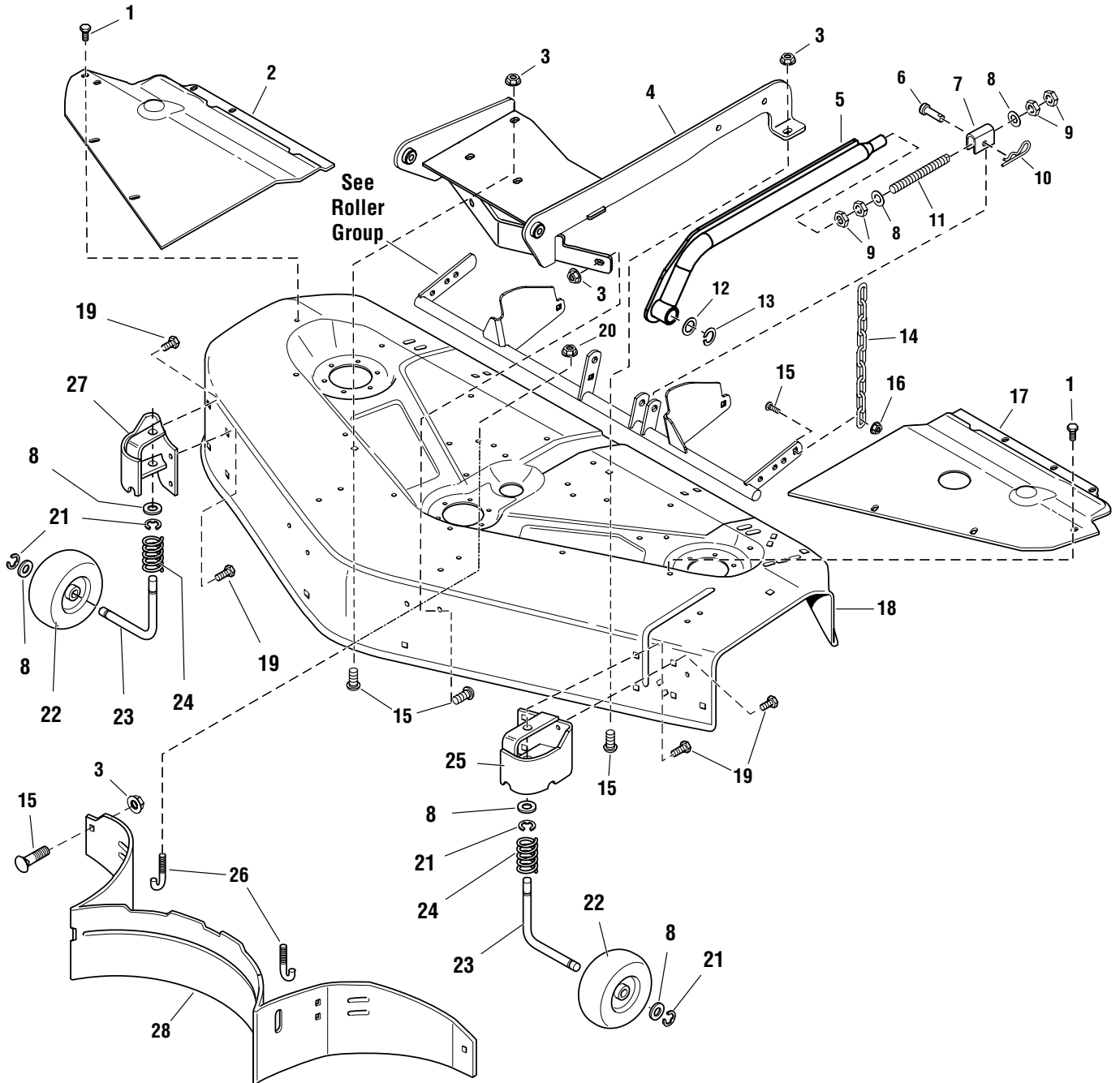
1694432 - 48" Mower

1694477 - 48" Mower

# 48" Mower Deck - Housing & Cover Group

986438

NOTE: Unless noted otherwise,  
use the standard hardware torque  
specification chart.



The above parts group applies to the following Mfg. Nos.:

1694432 - 48" Mower

1694477 - 48" Mower

## 48" Mower Deck - Housing & Cover Group

REF NO	PART NO.	QTY.	DESCRIPTION
1	1929000	8	CAPSCREW, Hex Head, Taptite, 1/4-20 x 3/8
2	1725522	1	COVER, Belt, RH
3	1960680	9	NUT, Hex, Washer KEPS, 3/8-16, Black
4	1725497	1	HITCH ASSEMBLY
5	1725296	1	ARM & TUBE ASSEMBLY
6	171690	1	PIN, Yoke, Drilled, Black
7	1725201	1	TRUNION
8	1924366	6	WASHER, 5/8, Black
9	1922014	4	NUT, Hex Jam, 5/8-18, Black
10	1960074	1	CLIP, Hair Pin
11	1722507	1	STUD, 5/8-18 x 8-9/16
12	1919394	1	WASHER, 1
13	1725092	1	RING, Retaining, 1
14	1725735	2	CHAIN, 9 Link
15	1931350	11	CARRIAGE BOLT, 3/8-16 1, Black
16	1960687	2	NUT, Hex, Flange Lock, ESNA, 3/8-16, Black
17	1725521	1	COVER, Belt, LH
18	1725515	1	HOUSING, 48~ Mower
19	1930601	8	CAPSCREW, Hex, Washer Head, Taptite, 5/16-18, 5/8, Black
20	1960684	2	NUT, Hex, Washer, 5/16-18, Black
21	1703805	4	KLIPRING, External, 1/2
22	1716353	2	WHEEL
23	1716345	2	SPINDLE
24	1716346	2	SPRING, Compression
25	1716347	1	BRACKET & YOKE ASSEMBLY
26	1679385	2	HOOK, "J"
27	1716942	1	BRACKET & YOKE ASSEMBLY
28	1674774	1	BAFFLE, 48~ Mower

### Footnotes

---

The above parts group applies to the following Mfg. Nos.:

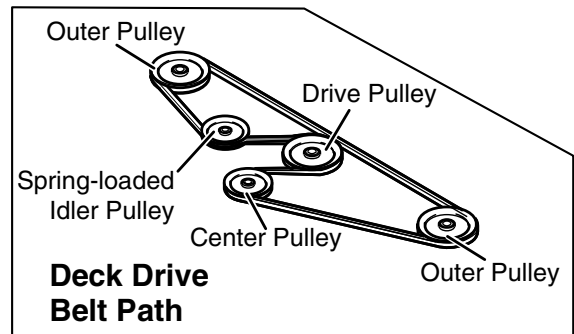
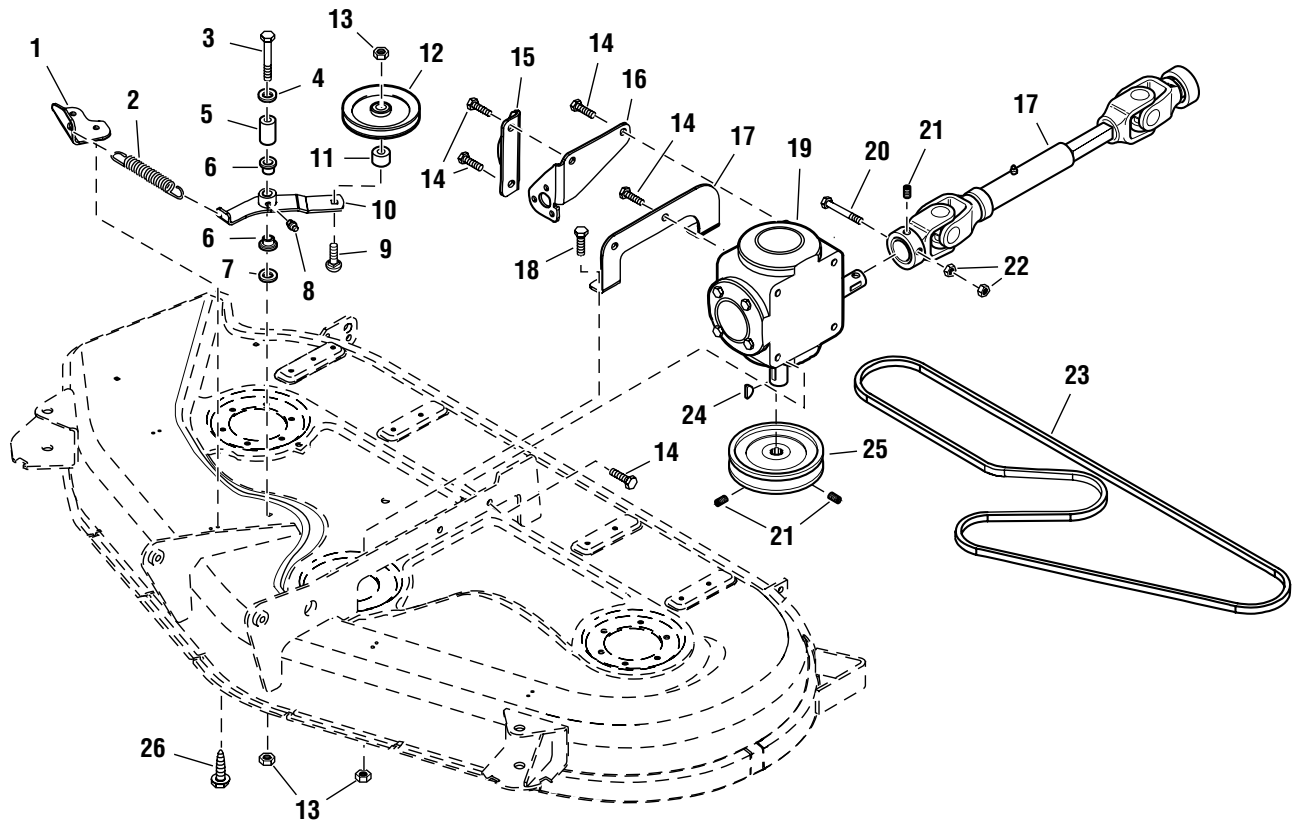
1694432 - 48" Mower

1694477 - 48" Mower

# 54" Mower Deck - Drive Group

986349

**NOTE:** Unless noted otherwise,  
use the standard hardware torque  
specification chart.



**The above parts group applies to the following Mfg. Nos.:**

- 1694397 - 54" Mower
- 1694478 - 54" Mower
- 1694507 - 54" Mower
- 1694509 - 54" Mower



## 54" Mower Deck - Drive Group

REF NO	PART NO.	QTY.	DESCRIPTION
1	1725190	1	BRACKET, Spring Mounting
2	1718016	1	SPRING, Extension
3	1923701	1	CAPSCREW, Hex Head, 3/8-16 x 2, Black
4	1924940	1	WASHER, 3/8
5	1674669	1	SPACER
6	1676148	2	BUSHING
7	1922611	1	WASHER, 3/8
8	912808	1	FITTING, Grease
9	1931352	1	CARRIAGE BOLT, 3/8-16 x 1-1/2
10	1660813	1	IDLER ARM ASSEMBLY, (Includes Ref. No. 6)
11	1667811	1	SPACER
12	1725372	1	PULLEY Idler
13	1960687	4	NUT, Hex, Flange Lock, ESNA, 3/8-16, Black
14	1960695	6	CAPSCREW, Hex Washer Head, 3/8-16 x 1-1/8, Black
15	1724513	1	SUPPORT, Height of Cut
16	1724514	1	BRACE, Height of Cut
17	1724537	1	SUPPORT, Gearbox
17	1725217	1	DRIVE SHAFT ASSEMBLY
18	1921965	2	CAPSCREW, Hex Head, 3/8-16 x 3/4, Black
19	1725298	1	GEARBOX ASSEMBLY
20	1921159	1	CAPSCREW, Hex Head, 1/4-20 x 2-1/4, Black
21	1928721	3	SCREW, Set, Square Head, Cup Point, 5/16-18 x 1/2, G8
22	1923358	2	NUT, Hex Center Lock, 1/4-20, Black
23	1725208	1	V-BELT
24	922138	1	KEY, Hi Pro, 1/4 x 7/8
25	1725492	1	PULLEY & HUB ASSEMBLY
26	1960568	2	CAPSCREW, Hex Head, 1/4-20 x 7/8, Black

### Footnotes

---

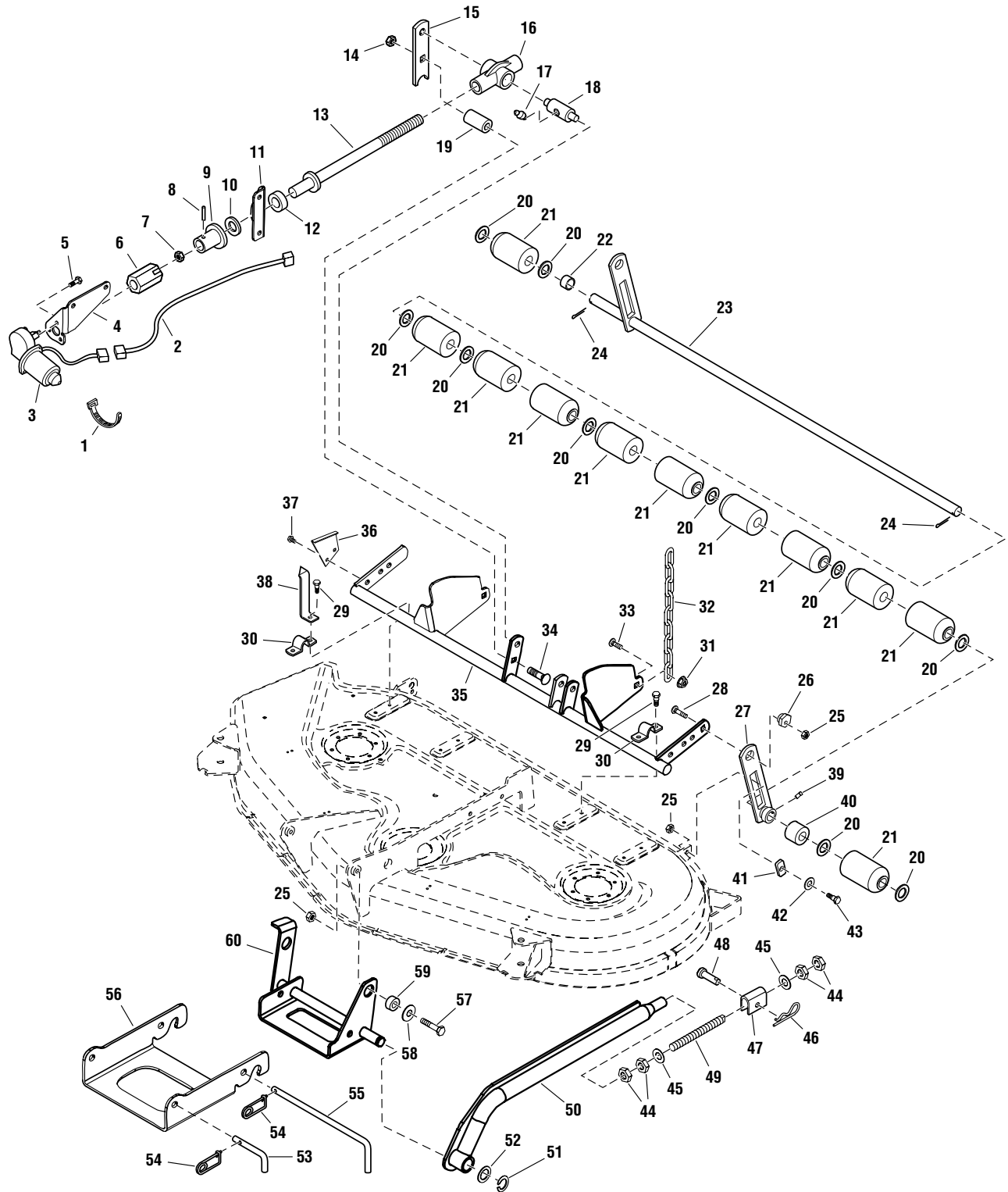
**The above parts group applies to the following Mfg. Nos.:**

1694397 - 54" Mower  
1694478 - 54" Mower  
1694507 - 54" Mower  
1694509 - 54" Mower

## 54" Mower Deck - Height Adjustment & Roller Group

986348

NOTE: Unless noted otherwise,  
use the standard hardware torque  
specification chart.



The above parts group applies to the following Mfg. Nos.:

- 1694397 - 54" Mower
- 1694478 - 54" Mower
- 1694507 - 54" Mower
- 1694509 - 54" Mower

## 54" Mower Deck - Height Adjustment & Roller Group

REF NO	PART NO.	QTY.	DESCRIPTION
1	925094	1	TIE, Self Locking, BLACK
2	1716986	1	HARNESS ASSEMBLY
3	1715885	1	MOTOR, Electric
4	1724514	1	BRACE, Height of Cut
5	960664	3	CAPSCREW, Hex Washer Head, Dog Point, 1/4-20 x7/8
6	1715886	1	ADAPTER, Motor
7	1960685	1	NUT, Hex, Washer, KEPS, 1/4-20
8	1960581	1	PIN, Sprign
9	1715887	1	HUB
10	1716998	1	WASHER, Special, Nylon
11	1724513	1	SUPPORT, Height of Cut
12	1715891	1	BEARING, Thrust
13	1724524	1	ROD & SPACER ASSEMBLY
14	1960689	1	NUT, Hex, Top Lock, 1/2-13
15	1715881	1	LEVER
16	1716424	1	COVER, Rod
17	1704314	1	FITTING, Lube
18	1715892	1	TRUNNION
19	1679166	1	SPACER
20	960626	10	WASHER, 1
21	1719748	9	ROLLER
22	1701873	1	SPACER
23	1720158	1	SHAFT & BAR ASSEMBLY
24	1918459	2	PIN, Cotter
25	960681	6	NUT, Hex Top Lock, 3/8-16
26	1704082	2	NUT, Hex Adjusting
27	1715882	1	BAR & HUB ASSEMBLY
28	1931353	2	CARRIAGE BOLT, 3/8-16 x 1-3/4
29	1664847	8	CAPSCREW, Hex Washer Head, 5/16-18 x 3/4
30	1720147	4	STRAP
31	1960687	2	NUT, Hex Flange Lock, ESNA, 3/8-16
32	1725735	2	CHAIN, 9 Link, 12-1/2" Long
33	1931350	2	CARRIAGE BOLT, 3/8-16 x 1
34	1960489	1	CARRIAGE BOLT, 1/2-13 x 2-1/2
35	1724526	1	SHAFT ASSEMBLY
36	1704116	1	BRACKET, Height of Cut
37	1924856	2	CAPSCREW, Hex Washer Head, Taptite, 5/16-18 x 1/2
38	1720643	1	INDICATOR, Height of Cut
39	1928721	1	SCREW, Set, Square Head, Cup Point, 5/16-18 x 1/2 G8
40	1714812	1	SPACER
41	1677507	2	SLIDE
42	1924361	2	WASHER, 1/2
43	172622	2	SHOULDER BOLT, 3/8-16 x 1-11/32
44	1922014	4	NUT, Hex, Jam, 5/8-18

### Footnotes

---

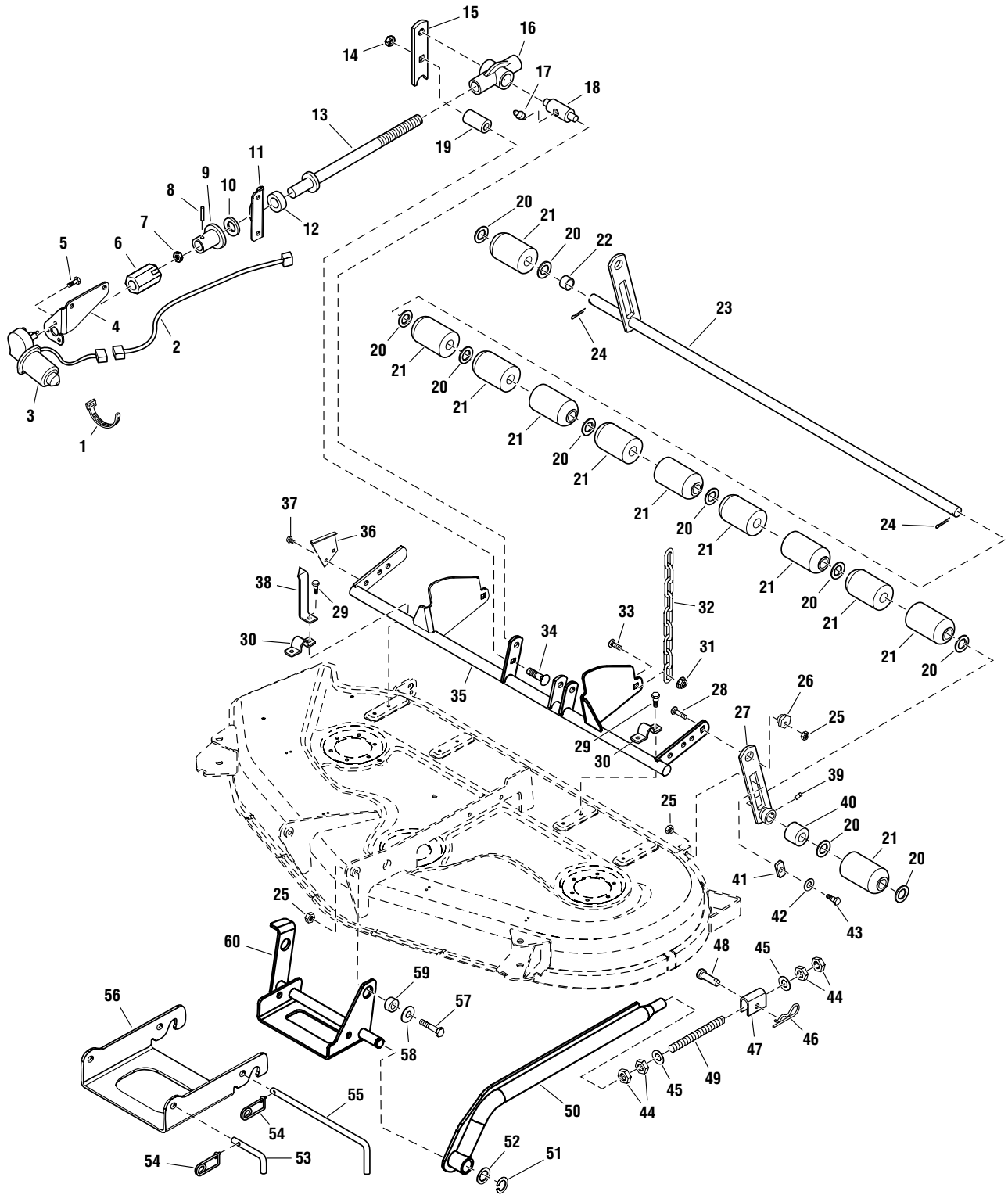
#### The above parts group applies to the following Mfg. Nos.:

1694397 - 54" Mower  
 1694478 - 54" Mower  
 1694507 - 54" Mower  
 1694509 - 54" Mower

# 54" Mower Deck - Height Adjustment & Roller Group

986348

NOTE: Unless noted otherwise,  
use the standard hardware torque  
specification chart.



The above parts group applies to the following Mfg. Nos.:

- 1694397 - 54" Mower
- 1694478 - 54" Mower
- 1694507 - 54" Mower
- 1694509 - 54" Mower

## 54" Mower Deck - Height Adjustment & Roller Group

REF NO	PART NO.	QTY.	DESCRIPTION
45	1924366	2	WASHER, 5/8
46	1960074	1	CLIP, Hair Pin
47	1725201	1	TRUNION
48	171690	1	PIN, Yoke, Drilled, 1/2 x 2
49	1722507	1	STUD, 5/8-18 x 8-9/16
50	1725296	1	ARM & TUBE ASSEMBLY
51	1725092	1	RING, Retaining, External, 1
52	1919394	1	WASHER,1
53	1717075	2	PIN
54	176012	3	PIN, Spring
55	1715872	1	ROD
56	1724528	1	HITCH
57	1921971	2	CAPSCREW, Hex Head, 3/8-16 x 1-3/4
58	1924356	2	WASHER, 3/8
59	1720309	2	SPACER
60	1724523	1	HITCH ASSEMBLY

### Footnotes

---

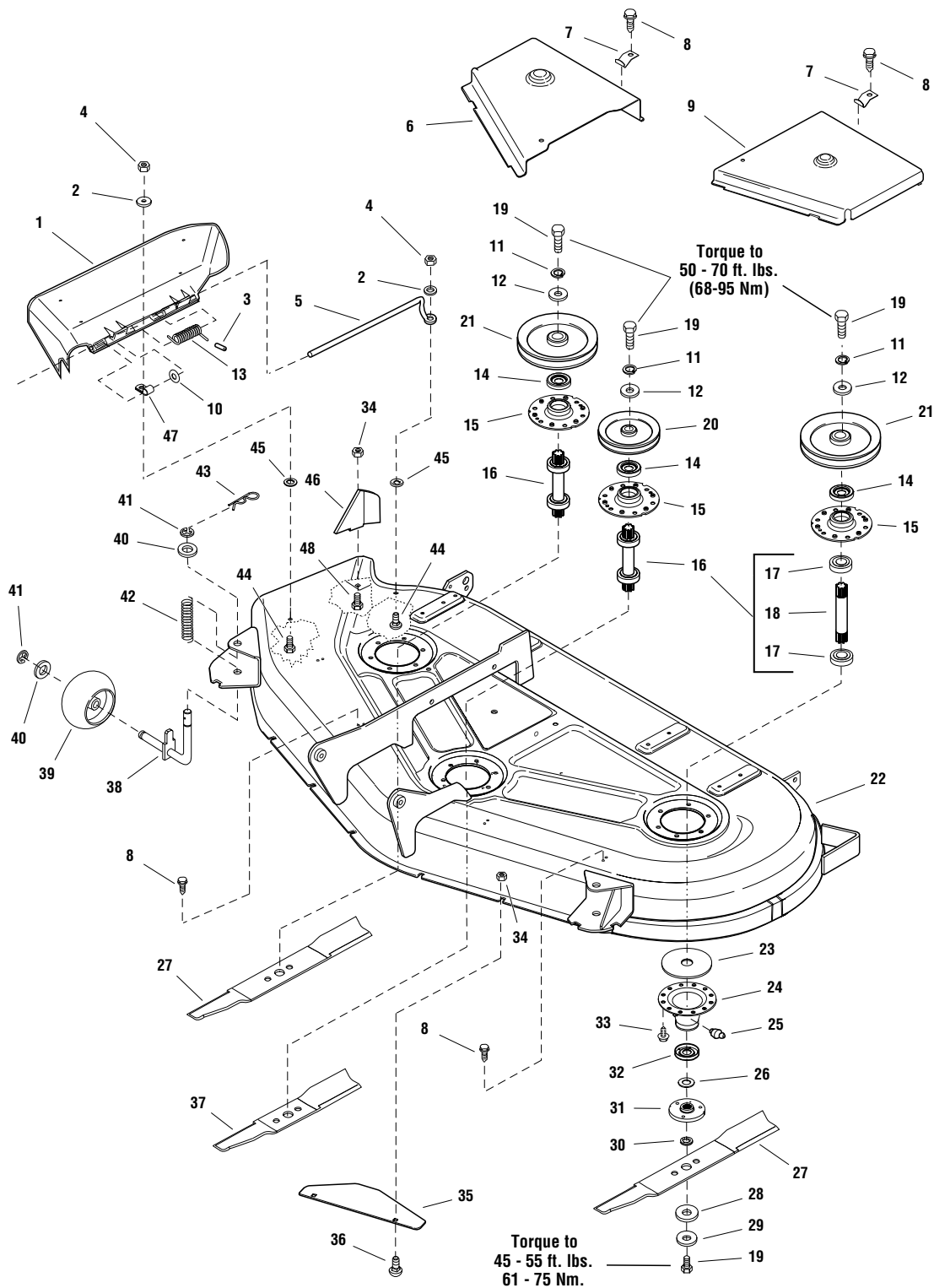
**The above parts group applies to the following Mfg. Nos.:**

1694397 - 54" Mower  
1694478 - 54" Mower  
1694507 - 54" Mower  
1694509 - 54" Mower

# 54" Mower Deck - Housing & Arbor Group

986347

**NOTE:** Unless noted otherwise,  
use the standard hardware torque  
specification chart.



**The above parts group applies to the following Mfg. Nos.:**

- 1694397 - 54" Mower
- 1694478 - 54" Mower
- 1694507 - 54" Mower
- 1694509 - 54" Mower

## 54" Mower Deck - Housing & Arbor Group

REF NO	PART NO.	QTY.	DESCRIPTION
1	1705449	1	DEFLECTOR, Plastic
2	1960353	2	WASHER, Plain, 1/4
3	1723323	2	CAP, Spring End
4	1920397	2	NUT, Hex, Lock ESNA, 1/4-20, Black
5	1706709	1	ROD, Deflector, Front
6	1720184	1	COVER, Arbor, RH (Orange)
7	1720623	4	CLIP, Spring
8	1929000	4	SCREW Hex Head, Taptite, 1/4-20 x 3/8
9	1720186	1	COVER, Arbor, LH
10	1919326	1	WASHER, Plain, 5/16
11	1918199	3	WASHER, Lock, 7/16
12	1933263	3	WASHER, 7/16
13	1723938	1	SPRING, Torsion
14	1657969	3	SHIELD
15	1655729	3	HOUSING, Arbor, Top
16	1676278	3	ARBOR SHAFT & BEARING ASSEMBLY (Includes Ref. Nos. 17 & 18)
17	108202	6	BEARING, Ball, 3/4 x 1-3/4 x 5/8
18	1676277	3	ARBOR SHAFT
19	923471	6	CAPSCREW, Hex Head, 7/16-14 x 1-1/4, G8
20	1679161	1	PULLEY, Assembly, Center
21	1720182	2	PULLEY, Assembly, Out Side
22	1724536	1	HOUSING ASSEMBLY, 54" Legacy XL
23	1707335	3	GASKET, Foam
24	1703273	3	ASSEMBLY, Housing, Bottom (Includes Ref. No. 25)
25	1704314	3	FITTING, Lube
26	1700230	3	WASHER, Shim
27	1725921	2	BLADE, Mower, 20-1/2
28	1679711	3	WASHER, Spline
29	1656916	3	WASHER, Spring
30	1657528	3	RING, Self Locking
31	1655777	3	ADAPTER, Blade
32	1700229	3	SHIELD, Grass
33	1664847	16	CAPSCREW, Hex Head, Taptite, 5/16-18x 3/4, Black
34	1960684	3	NUT, Hex, KEPS, 5/16-18, Black
35	1720962	1	BAFFLE, Front, Anti-Blowout
36	1931333	2	CARRIAGE BOLT, 5/16-18 x 3/4
37	1725922	1	BLADE, Mower, 16
38	1720497	2	SPINDLE & STOP ASSEMBLY
39	1716353	2	WHEEL, Gauge
40	1960020	4	WASHER, Plain, 5/8
41	1703805	4	RING, Clip
42	1716346	2	SPRING, Compression
43	1960033	2	CLIP, Hairpin
44	1960698	2	CARRIAGE BOLT, 1/4-20 x 1, Black

### Footnotes

---

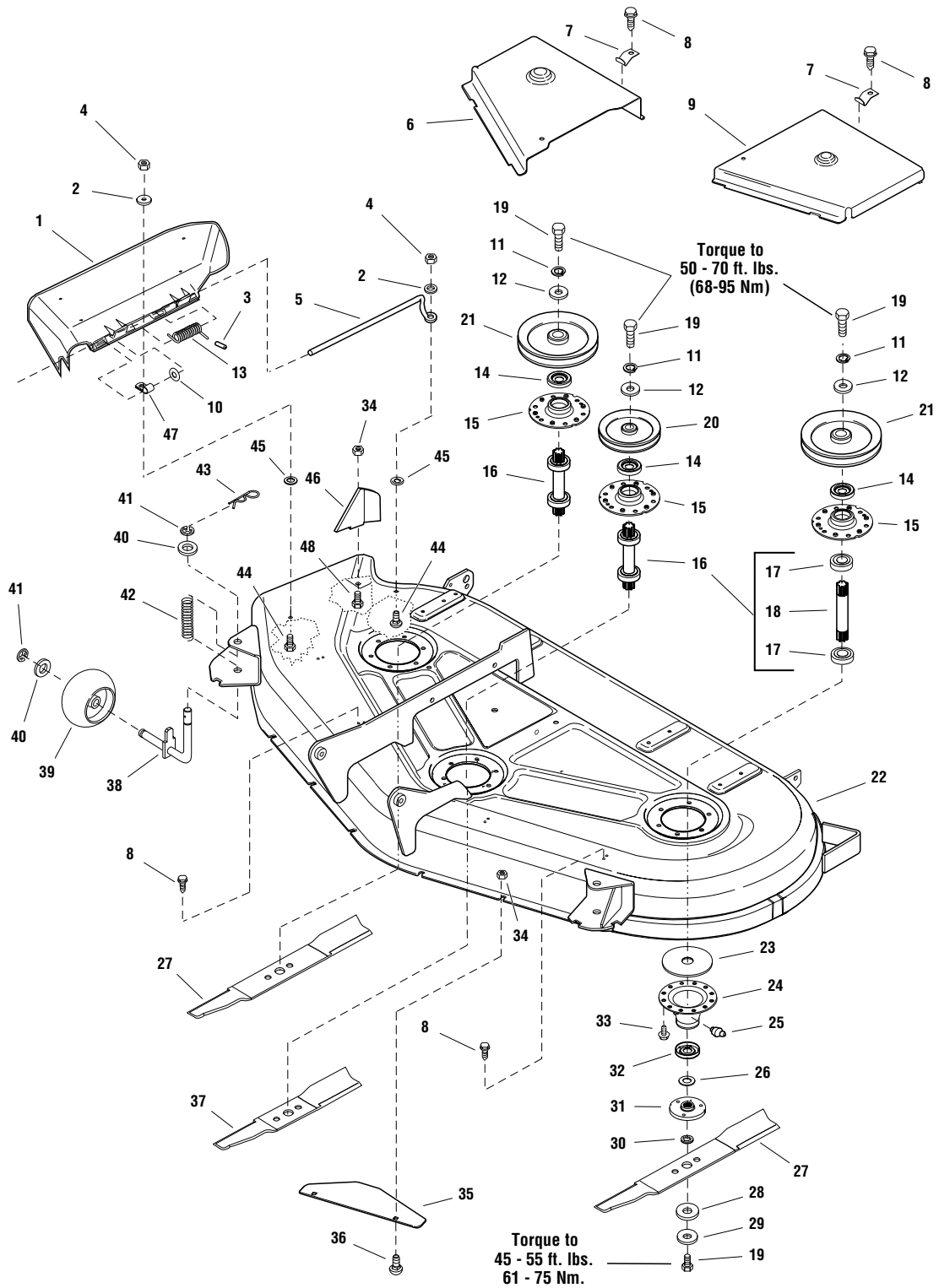
**The above parts group applies to the following Mfg. Nos.:**

1694397 - 54" Mower  
1694478 - 54" Mower  
1694507 - 54" Mower  
1694509 - 54" Mower

# 54" Mower Deck - Housing & Arbor Group

986347

**NOTE:** Unless noted otherwise, use the standard hardware torque specification chart.



**The above parts group applies to the following Mfg. Nos.:**

- 1694397 - 54" Mower
- 1694478 - 54" Mower
- 1694507 - 54" Mower
- 1694509 - 54" Mower



## **54" Mower Deck - Housing & Arbor Group**

---

<b>REF NO</b>	<b>PART NO.</b>	<b>QTY.</b>	<b>DESCRIPTION</b>
45	1960518	2	NUT, Push
46	1724976	1	BAFFLE, Discharge
47	1704873	1	CLAMP, Wire
48	1925205	1	CAPSCREW, Hex Head, 5/16-18 x 5/8, Black

### **Footnotes**

---

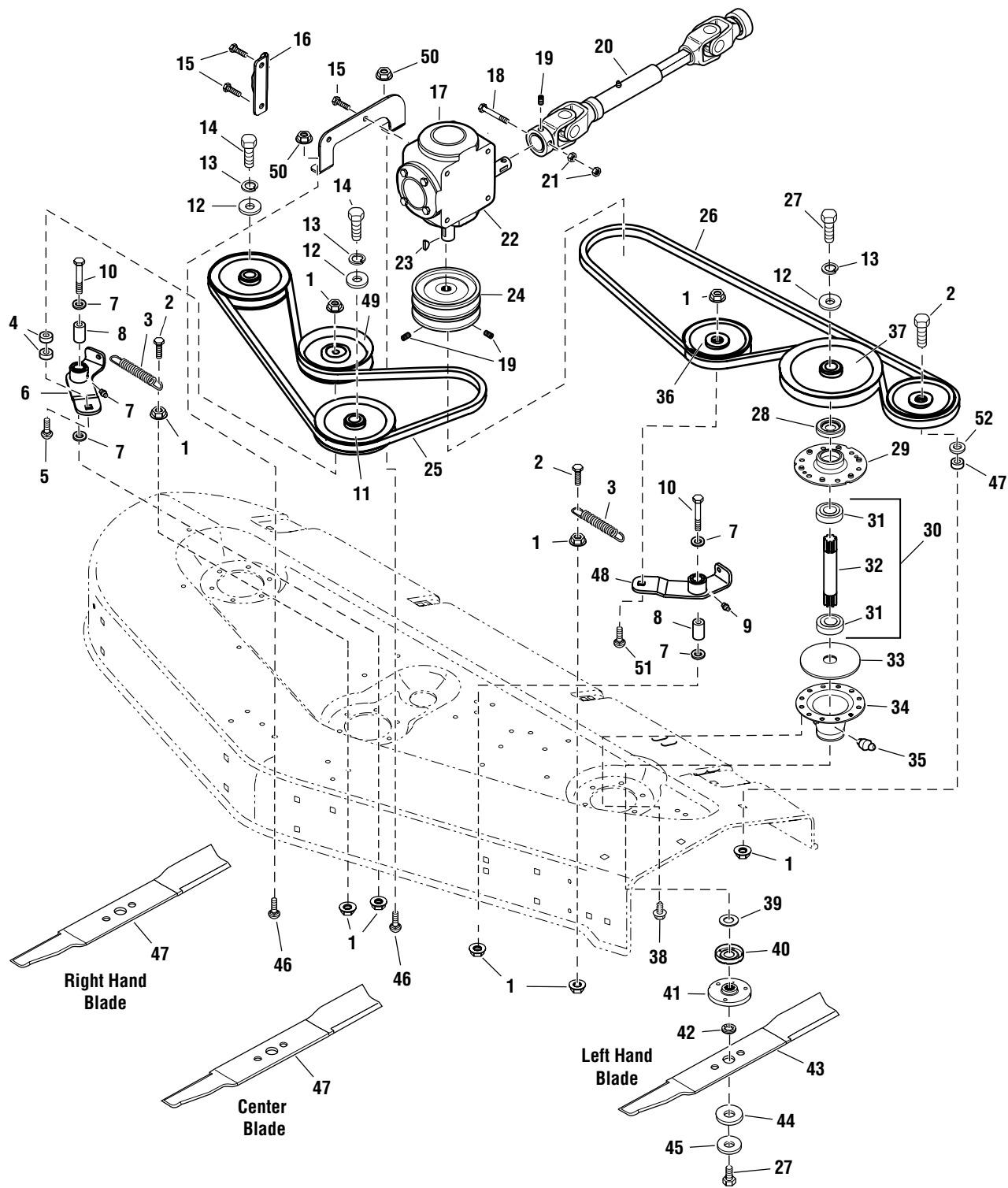
**The above parts group applies to the following Mfg. Nos.:**

1694397 - 54" Mower  
1694478 - 54" Mower  
1694507 - 54" Mower  
1694509 - 54" Mower

# 60" Mower Deck - Arbor & Drive Group

986346

NOTE: Unless noted otherwise,  
use the standard hardware torque  
specification chart.



The above parts group applies to the following Mfg. Nos.:

- 1694398 - 60" Mower
- 1694479 - 60" Mower

## 60" Mower Deck - Arbor & Drive Group

REF NO	PART NO.	QTY.	DESCRIPTION
1	1960680	12	NUT, Hex KEPS, 3/8-16, Black
2	1921969	3	CAPSCREW, Hex Head, 3/8-16 x 1-1/2, Black
3	1725385	2	SPRING, Extension
4	1667811	3	SPACER
5	1931353	1	CARRIAGE BOLT, 3/8-16 x 1-3/4, Black
6	1660830	1	IDLER ARM ASSEMBLY (includes Bushings & Ref. No.9)
7	1924940	4	WASHER, 3/8, Black
8	1674669	2	SPACER
9	912808	2	GREASE FITTING
10	1923701	2	CAPSCREW, Hex Head, 3/8-16 x 2, Black
11	1725198	2	PULLEY & HUB ASSEMBLY
12	1933263	3	WASHER, 7/16
13	1918199	3	LOCKWASHER, 7/16
14	1927531	2	CAPSCREW, hex Head, 7/16-14 x 2, G8, Black
15	1960695	1	CAPSCREW, Hex Washer Head, 3/8-16 x 1-1/8, Black
16	1724513	1	SUPPORT, Hieght of Cut
17	1725195	1	SUPPORT, Gearbox
18	1921159	1	CAPSCREW, Hex Head, 1/4-20 x 2-1/4, Black
19	1928721	3	SET SCREW, Square Head, Cup Point, 5/16-18 x 1/2, G8
20	1725217	1	SHAFT ASSEMBLY
21	1923358	2	NUT, Hex Center Lock, 1/4-20, Black
22	1725298	1	GEARBOX, Drive
23	922138	1	KEY, Hi Pro
24	1725210	1	PULLEY & HUB ASSEMBLY
25	1725154	1	V-BELT, Upper
26	1725155	1	V-BELT, Lower
27	923471	4	CAPSCREW, Hex Head, 7/16-14 x 1-1/4
28	1657969	3	SHIELD, Bearing
29	1655729	3	HOUSING, Arbor
30	1676278	3	ARBOR SHAFT & BEARINGS ASSEMBLY (Includes Ref. Nos. 31 & 32)
31	108202	2	BEARING
32	1676277	1	SHAFT, Arbor
33	1707335	3	GASKET, Foam
34	1703273	3	HOUSING, Arbor (Includes Ref. No. 35)
35	1704314	3	GREASE FITTING
36	1725372	1	PULLEY, Idler
37	1678665	1	PULLEY & HUB ASSEMBLY
38	1664847	16	CAPSCREW, Hex Washer Head, 5/16-18 x 3/4, Black
39	1700230	3	WASHER
40	1700229	3	SHIELD, Bearing
41	1655777	3	ADAPTER, Blade
42	1657528	3	RING, Retaining, External
43	1719599	1	BLADE, Mower, LH, 20-1/2
44	1679711	3	WASHER, Spline

### Footnotes

The above parts group applies to the following Mfg. Nos.:

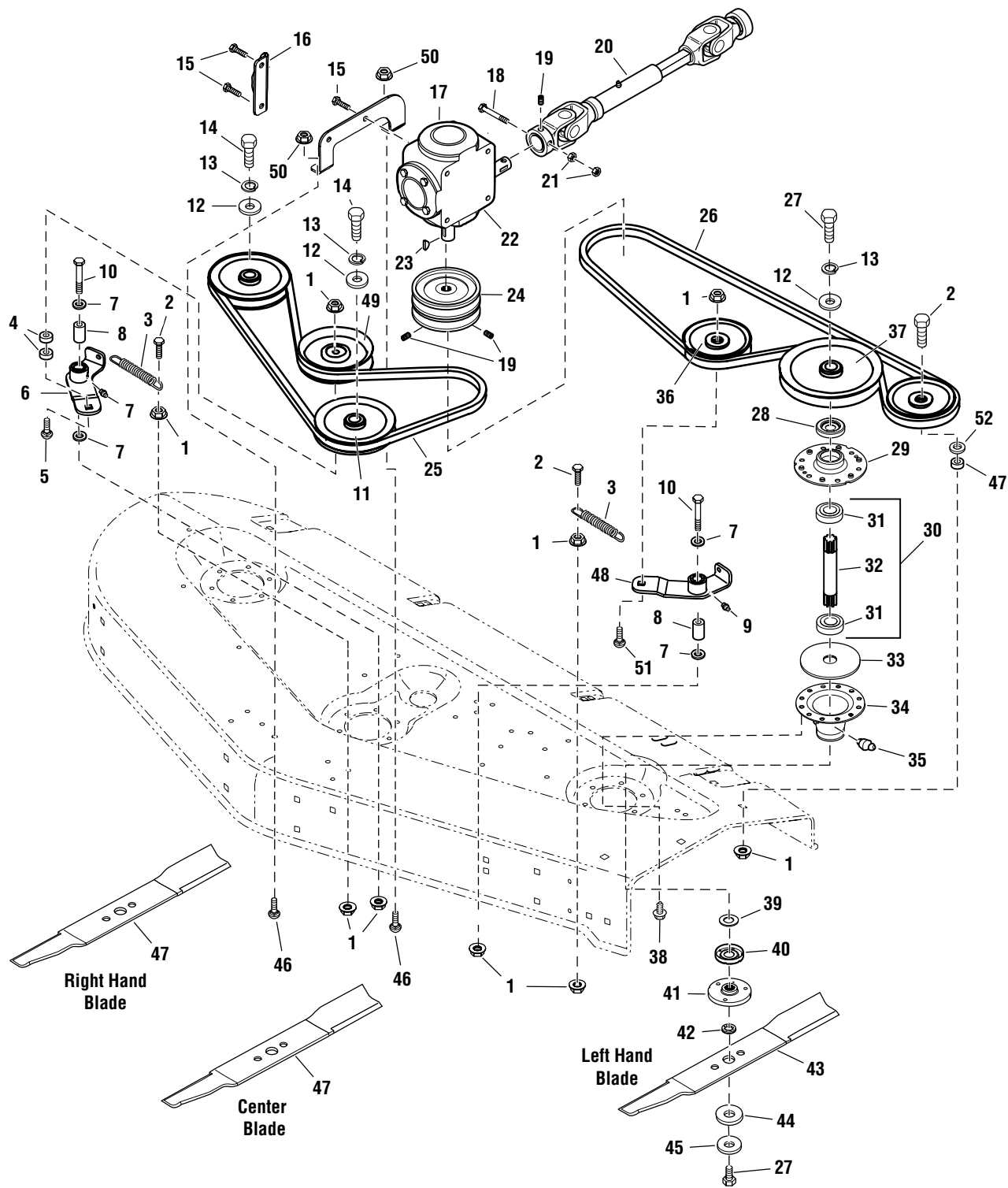
1694398 - 60" Mower

1694479 - 60" Mower

# 60" Mower Deck - Arbor & Drive Group

986346

NOTE: Unless noted otherwise,  
use the standard hardware torque  
specification chart.



The above parts group applies to the following Mfg. Nos.:

- 1694398 - 60" Mower
- 1694479 - 60" Mower

## **60" Mower Deck - Arbor & Drive Group**

---

<b>REF NO</b>	<b>PART NO.</b>	<b>QTY.</b>	<b>DESCRIPTION</b>
45	1656916	3	WASHER
46	1960702	2	CARRIAGE BOLT, 3/8-16 x 1, Black
47	1719598	2	BLADE, Mower, 20-1/2, RH & Center
48	1660829	1	IDLER ARM ASSEMBLY (Includes Bushings & Ref. No. 9)
49	1725408	1	PULLEY, Idler
50	1960687	2	NUT, Hex, KEPS, 5/16-18
51	1922755	1	WASHER, 3/8, Black
52	1690268	1	CARRIAGE BOLT, 3/8-16 x 1-1/4, Black

---

### **Footnotes**

---

**The above parts group applies to the following Mfg. Nos.:**

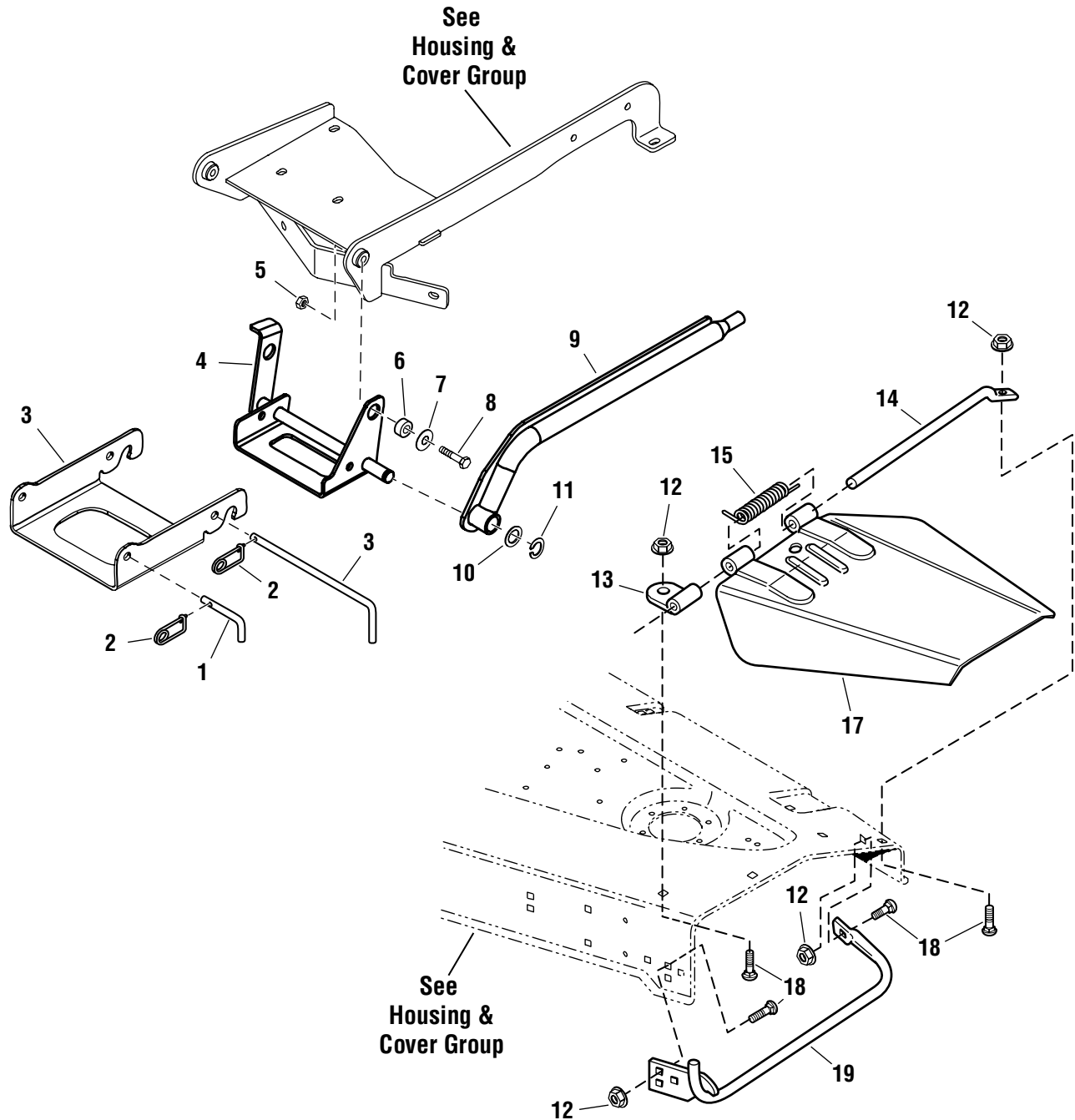
1694398 - 60" Mower

1694479 - 60" Mower

## 60" Mower Deck - Deflector & Hitch Group

986345

NOTE: Unless noted otherwise,  
use the standard hardware torque  
specification chart.



The above parts group applies to the following Mfg. Nos.:

1694398 - 60" Mower

1694479 - 60" Mower

## 60" Mower Deck - Deflector & Hitch Group

REF NO	PART NO.	QTY.	DESCRIPTION
1	1717075	2	PIN
2	176012	3	PIN, Retainer, Spring
3	1715872	1	ROD
3	1724528	1	HITCH
4	1724523	1	HITCH ASSEMBLY
5	960681	2	NUT, Hex Top Flange Lock, 3/8-16
6	1720309	2	SPACER
7	1924356	2	WASHER, 3/8
8	1921971	2	CAPSCREW, Hex Head, 3/8-16 x 1-3/4, Black
9	1725296	1	ARM ASSEMBLY
10	1919394	1	WASHER, 1, Black
11	1725092	1	RING, Retaining, External, 1, Black
12	1960687	6	NUT, Hex Flange Lock ESNA, 3/8-16, Black
13	1673655	1	BRACKET
14	1700343	1	ROD
15	1676213	1	SPRING, Torsion
17	1702451	1	DEFLECTOR & HINGE ASSEMBLY
18	1931350	4	CARRIAGE BOLT, 3/8-16 x 1, Black
19	1700186	1	STONE GUARD & BRACKET ASSEMBLY

### Footnotes

---

**The above parts group applies to the following Mfg. Nos.:**

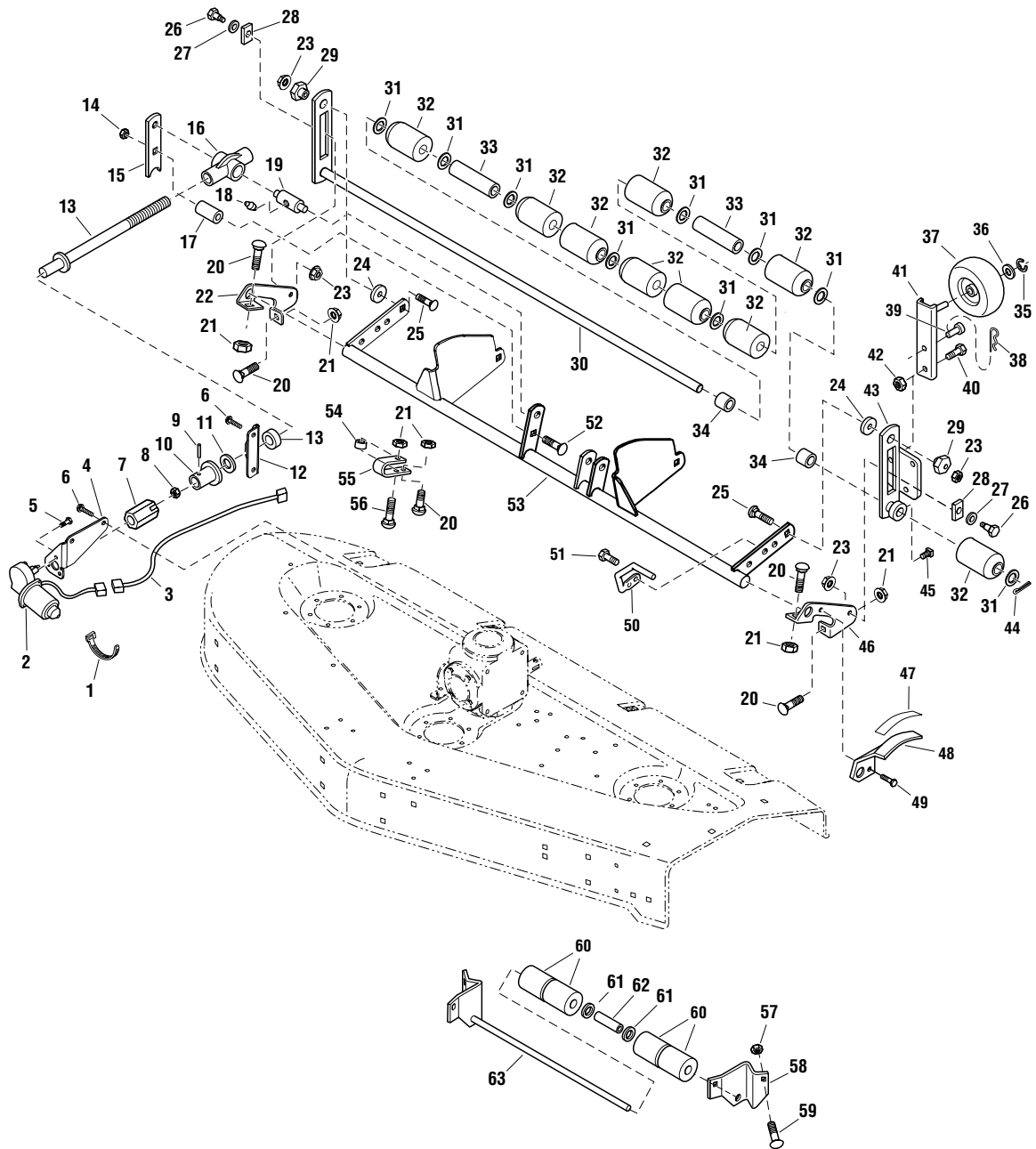
1694398 - 60" Mower

1694479 - 60" Mower

# 60" Mower Deck - Height Adjustment & Roller Group

986344

NOTE: Unless noted otherwise,  
use the standard hardware torque  
specification chart.



The above parts group applies to the following Mfg. Nos.:

1694398 - 60" Mower

1694479 - 60" Mower



## 60" Mower Deck - Height Adjustment & Roller Group

REF NO	PART NO.	QTY.	DESCRIPTION
1	925094	1	TIE, Self Locking
2	1715885	1	MOTOR, Electric
3	1716986	1	HARNES ASSEMBLY
4	1725197	1	BRACE, Height of Cut
5	960664	3	CAPSCREW, Hex, SEMS Washer Head, Dog Point, 1/4-20 x 7/8
6	1960695	4	CAPSCREW, Hex Wsher Head, 3/8-16 x 1-1/8, Black
7	1715886	1	ADAPTER, Motor
8	1960685	1	NUT, Hex, KEPS, 1/4-20, Black
9	1960581	1	PIN, Spring
10	1715887	1	HUB
11	1716998	1	WASHER, Special
12	1715891	1	BEARING, Thrust
13	1724524	1	ROD & SPACER ASSEMBLY
14	1960689	1	NUT, Hex, Toplock Flange, 1/2-13, Black
15	1715881	1	LEVER
16	1716424	1	COVER, Rod, Black
17	1679166	1	SPACER
18	1704314	1	FITTING, Grease
19	1715892	1	TRUNNION
20	1931350	6	CARRIAGE BOLT, 3/8-16 x 1
21	1960680	8	NUT, Hex, KEPS, 3/8-16 , Black
22	1716982	1	BRACKET, Roller, RH
23	960681	4	NUT, Hex Toplock, 3/8-16
24	1960071	2	WASHER, 3/8
25	1931353	2	CARRIAGE BOLT, 3/8-16 x 1-3/4
26	172622	2	BOLT, Shoulder, Hex, 3/8-16, Black
27	1924361	2	WASHER, 1/2
28	1677507	2	SLIDE
29	1704082	2	NUT, Adjuster, Eccentric
30	1719650	1	SHAFT & BAR ASSEMBLY
31	960626	9	WASHER, 1/2
32	1719748	9	ROLLER
33	1717011	2	SPACER
34	1701873	2	SPACER, Short
35	158399	1	RING-E RET EXT # 50 .500DIA SHAFT
36	1960027	1	WASHER, 1/2, Black
37	1714760	1	WHEEL
38	1960074	1	CLIP, Hair Pin
39	1708298	1	PIN, Round Head, Drilled, 3/8 x 1, Black
40	1921210	1	CAPSCREW, Hex Head, 3/8-16 x 1, Black
41	1716343	1	BAR & SHAFT ASSEMBLY
42	1960687	1	NUT, Hex Flange Lock, 3/8-16, Black
43	1716341	1	BAR ASSEMBLY
44	1918459	1	PIN, Cotter

### Footnotes

The above parts group applies to the following Mfg. Nos.:

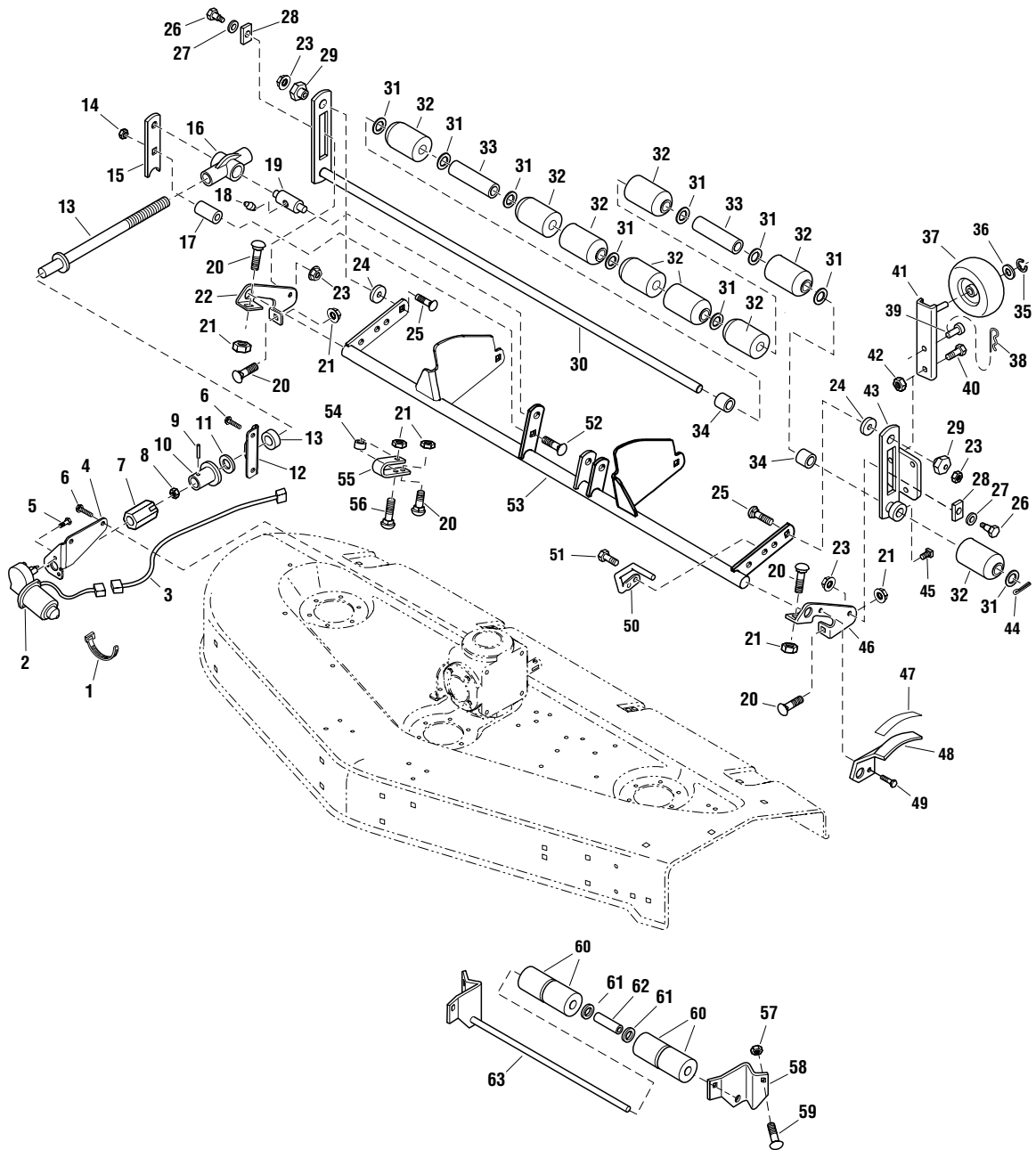
1694398 - 60" Mower

1694479 - 60" Mower

# 60" Mower Deck - Height Adjustment & Roller Group

986344

NOTE: Unless noted otherwise,  
use the standard hardware torque  
specification chart.



The above parts group applies to the following Mfg. Nos.:

1694398 - 60" Mower

1694479 - 60" Mower

## 60" Mower Deck - Height Adjustment & Roller Group

REF NO	PART NO.	QTY.	DESCRIPTION
45	1928721	1	SET SCREW, Square Head, 5/16-18 x 1/2, G8
46	1716983	1	BRACKET, Roller, LH
47	1717583	1	Height of Cut Decal
48	1716480	1	PLATE, Height Indicator
49	1929000	1	CAPSCREW, Hex Washer Head, Taptite, 1/4-20 x 3/8
50	1716481	1	ROD, Indicator
51	1924856	1	CAPSCREW, Hex Head, Taptite, 5/16-18 x 1/2
52	1960489	1	CARRIAGE BOLT, 1/2-13 x 2-1/2, Black
53	1724534	1	SHAFT ASSEMBLY
54	1676088	2	SPACER
55	1676087	2	STRAP, "U"
56	1960615	2	CARRIAGE BOLT, 3/8-16 x 2-1/2, Black
57	1960684	4	NUT, Hex, KEPS, 5/16-18, Black
58	173270	1	BRACKET & WASHER ASSEMBLY
59	1931333	4	CARRIAGE BOLT, 5/16-18 x 3/4, Black
60	1722036	4	ROLLER
61	1960020	2	WASHER, 5/8, Black
62	1676149	1	SPACER
63	1676404	1	SHAFT & BRACKET ASSEMBLY
64	1725196	1	SUPPORT, Height of Cut

### Footnotes

---

**The above parts group applies to the following Mfg. Nos.:**

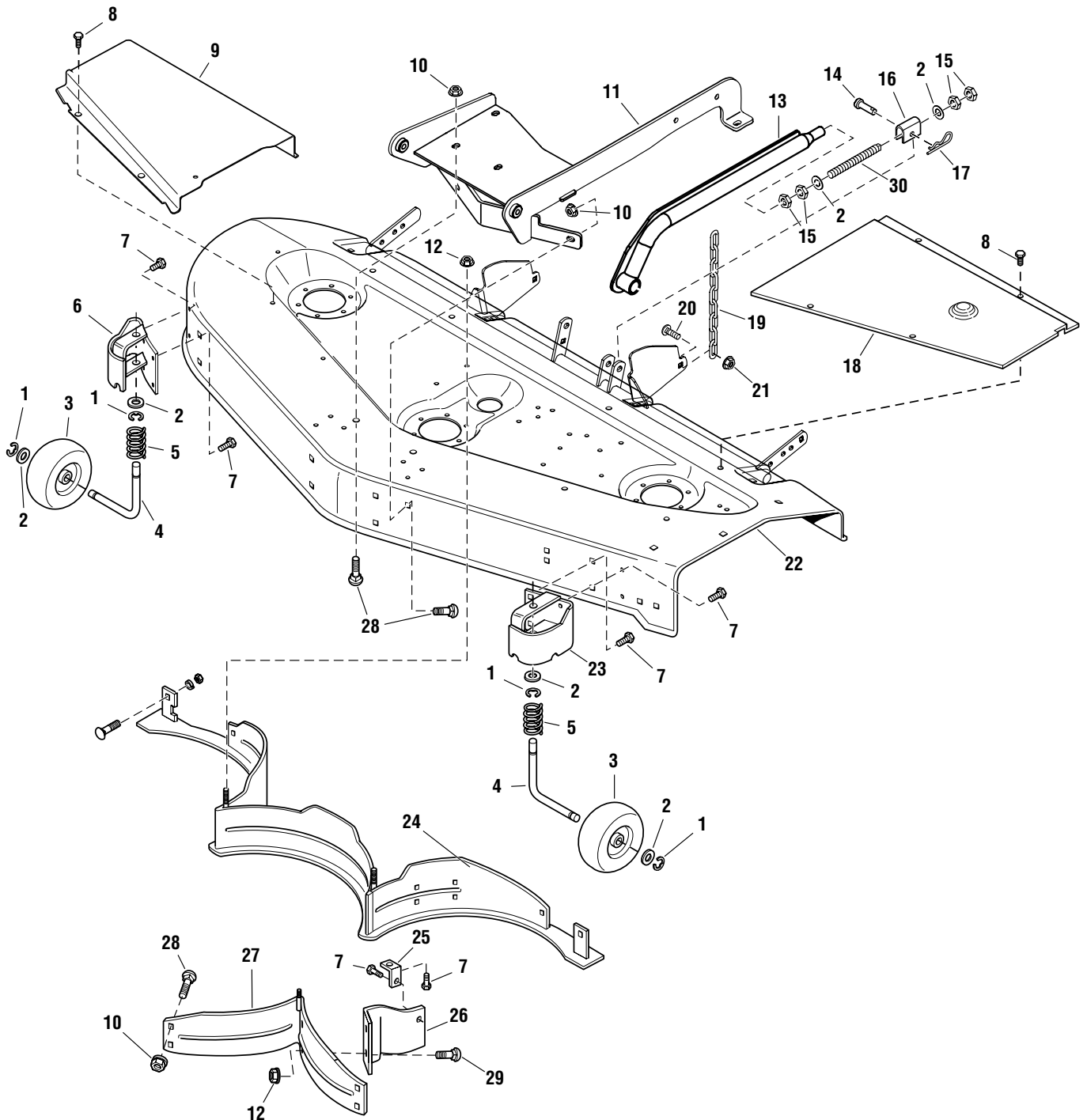
1694398 - 60" Mower

1694479 - 60" Mower

# 60" Mower Deck - Housing & Cover Group

986343

NOTE: Unless noted otherwise,  
use the standard hardware torque  
specification chart.



The above parts group applies to the following Mfg. Nos.:

1694398 - 60" Mower

1694479 - 60" Mower

## 60" Mower Deck - Housing & Cover Group

REF NO	PART NO.	QTY.	DESCRIPTION
1	1703805	4	RING, Kipring, External, 1/2
2	1924366	6	WASHER, 5/8, Black
3	1716353	2	WHEEL
4	1716345	2	SPINDLE
5	1716346	2	SPRING, Compression
6	1716350	1	BRACKET & YOKE ASSEMBLY
7	1930601	10	CAPSCREW, Hex, Washer Head, Taptite, 5/16-18 x 5/8, Black
8	1929000	8	CAPSCREW, Hex, Washer Head, Taptite, 1/4-20 x 3/8
9	1725224	1	COVER, RH
10	1960680	15	NUT, Hex, KEPS, 3/8-16, Black
11	1724522	1	HITCH ASSEMBLY
12	1960684	4	NUT, Hex, KEPS, 5/16-18, Black
13	1724920	1	ARM & TUBE ASSEMBLY
14	171690	1	PIN, Yoke, Drilled, 1/2 x 2, Black
15	1922014	4	NUT, Hex Jam, 5/8-18, Black
16	1725201	1	TRUNION
17	1960074	1	CLIP, Hair Pin, Black
18	1725386	1	COVER, LH
19	1725735	2	CHAIN, 9 Link
20	1931350	2	CARRIAGE BOLT, 3/8-16 x 1, Black
21	1960687	2	NUT, Hex, Flange Lock ESNA, 3/8-16, Black
22	1725338	1	HOUSING, 60"
23	1716347	1	BRACKET & YOKE ASSEMBLY
24	1702412	1	BAFFLE & COVERS ASSEMBLY
25	1668500	1	BRACKET
26	1719600	1	BAFFLE, Discharge
27	1702410	1	BAFFLE & ROD ASSEMBLY
28	1931350	10	CARRIAGE BOLT, 3/8-16 x 1, Black
29	1931333	2	CARRIAGE BOLT-RD, 5/16-18 x 3/4, Black
30	1722507	1	STUD, 5/8-18 x 8-9/16

### Footnotes

---

**The above parts group applies to the following Mfg. Nos.:**

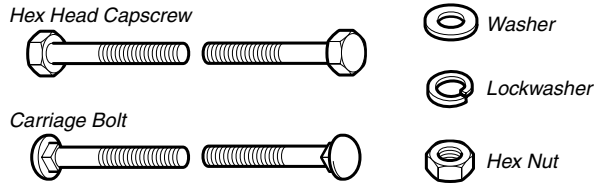
1694398 - 60" Mower

1694479 - 60" Mower



# Hardware Identification & Torque Specifications

## Common Hardware Types

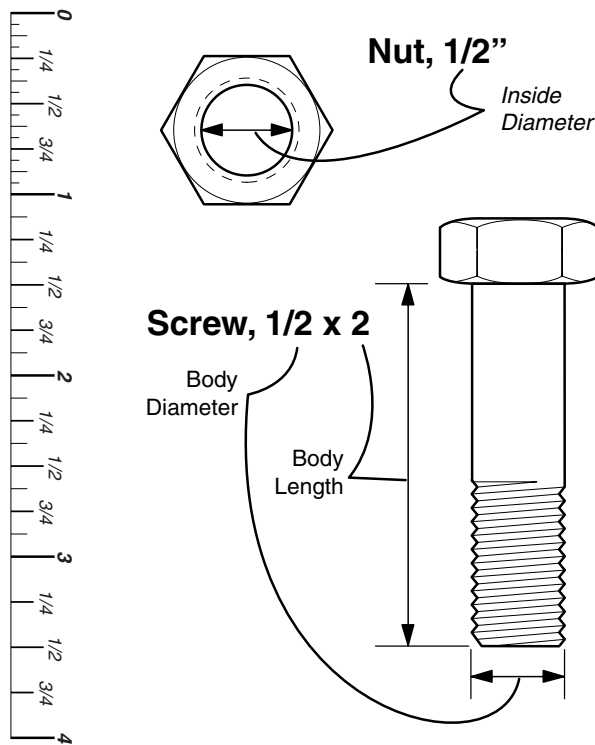


## Standard Hardware Sizing

When a washer or nut is identified as 1/2", this is the *Nominal size*, meaning the *inside diameter* is 1/2 inch; if a second number is present it represents the *threads per inch*

When bolt or capscrew is identified as 1/2 - 16 x 2", this means the *Nominal size*, or *body diameter* is 1/2 inch; the second number represents the *threads per inch* (16 in this example, and the final number is the *body length* of the bolt or screw (in this example 2 inches long).

**The guides and ruler furnished below are designed to help you select the appropriate hardware and tools.**



Torque Specification Chart						
FOR STANDARD MACHINE HARDWARE (Tolerance ± 20%)						
Hardware Grade	No Marks SAE Grade 2		SAE Grade 5		SAE Grade 8	
	in/lbs ft/lbs	Nm.	in/lbs ft/lbs	Nm.	in/lbs ft/lbs	Nm.
8-32	19	2.1	30	3.4	41	4.6
8-36	20	2.3	31	3.5	43	4.9
10-24	27	3.1	43	4.9	60	6.8
10-32	31	3.5	49	5.5	68	7.7
1/4-20	66	7.6	8	10.9	12	16.3
1/4-28	76	8.6	10	13.6	14	19.0
5/16-18	11	15.0	17	23.1	25	34.0
5/16-24	12	16.3	19	25.8	27	34.0
3/8-16	20	27.2	30	40.8	45	61.2
3/8-24	23	31.3	35	47.6	50	68.0
7/16-14	30	40.8	50	68.0	70	95.2
7/16-20	35	47.6	55	74.8	80	108.8
1/2-13	50	68.0	75	102.0	110	149.6
1/2-20	55	74.8	90	122.4	120	163.2
9/16-12	65	88.4	110	149.6	150	204.0
9/16-18	75	102.0	120	163.2	170	231.2
5/8-11	90	122.4	150	204.0	220	299.2
5/8-18	100	136	180	244.8	240	326.4
3/4-10	160	217.6	260	353.6	386	525.0
3/4-16	180	244.8	300	408.0	420	571.2
7/8-9	140	190.4	400	544.0	600	816.0
7/8-14	155	210.8	440	598.4	660	897.6
1-8	220	299.2	580	788.8	900	1,244.0
1-12	240	326.4	640	870.4	1,000	1,360.0

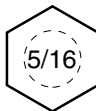
### NOTES

- These torque values are to be used for all hardware excluding: locknuts, self-tapping screws, thread forming screws, sheet metal screws and socket head setscrews.
- Recommended seating torque values for locknuts:
  - for prevailing torque locknuts - use 65% of grade 5 torques.
  - for flange whizlock nuts and screws - use 135% of grade 5 torques.
- Unless otherwise noted on assembly drawings, all torque values must meet this specification.

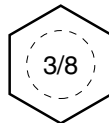
## Wrench & Fastener Size Guide



1/4" Bolt or Nut  
Wrench—7/16"



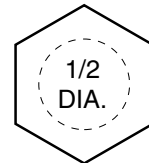
5/16" Bolt or Nut  
Wrench—1/2"



3/8" Bolt or Nut  
Wrench—9/16"



7/16" Bolt or Nut  
Wrench (Bolt)—5/8"  
Wrench (Nut)—11/16"



1/2" Bolt or Nut  
Wrench—3/4"

***Simplicity***

---

MANUFACTURING, INC.  
500 N. Spring Street / PO Box 997  
Port Washington, WI 53074-0997 USA

[www.simplicitymfg.com](http://www.simplicitymfg.com)

© Copyright 2005 Simplicity Manufacturing, Inc.  
All Rights Reserved. Printed In USA.

