



 Xpelair®



cooker hoods 2005



The kitchen is often the busiest room in the house. As well as being used for cooking, it is often a focal point for the whole family - and for guests.

With cooking odours and condensation continually accumulating in the kitchen, keeping the room fresh and pleasant is a constant problem.

Xpelair has over 60 years experience in ventilation. We offer a wide range of elegantly designed cooker hoods to suit every kitchen design and budget to keep rooms free of steam and odour.

Crafted from high quality materials such as stainless steel, Xpelair cooker hoods are a stylish addition to any kitchen. With push button controls and built in spot lights they are designed for practicality and ease of use.

Xpelair's cooker hoods will help you create the perfect environment in your kitchen.



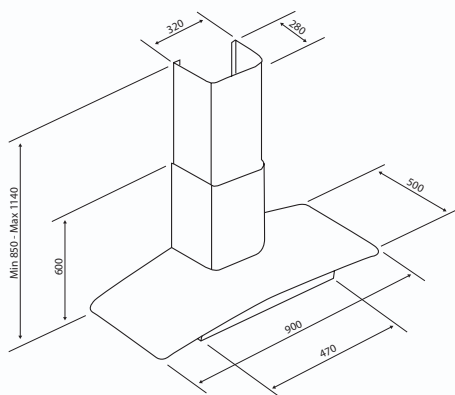


90 curved

Product code: 91202AW
 Description: 90 cm Curved Glass Hood
 Colour: Stainless Steel and Glass

Features / Specification

- 90cm Curved Glass Hood
- 3 speed levels
- Stainless steel finish
- Recirculation or extraction
- Maximum extraction rate 480 m³/h
- Electronic touch control & built in timer
- 200 W motor
- Twin 50w halogen spotlights
- Aluminium grease filter
- Optional carbon filter system

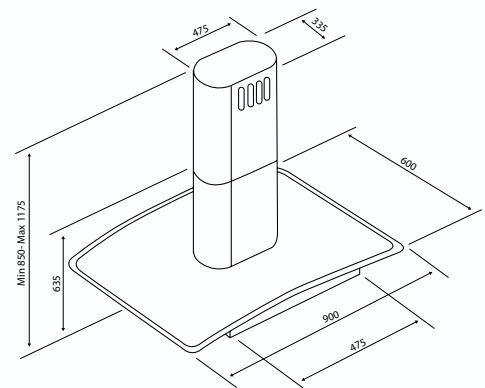


90 island

Product code: 91203AW
 Description: 90 cm Island Glass Hood
 Colour: Stainless Steel and Glass

Features / Specification

- 90cm Island Glass Hood
- 3 speed levels
- Stainless steel finish
- Recirculation or extraction
- Maximum extraction rate 851 m³/h
- Electronic touch control & built in timer
- 240 W motor
- Twin 50w halogen spotlights
- Aluminium grease filter
- Optional carbon filter system



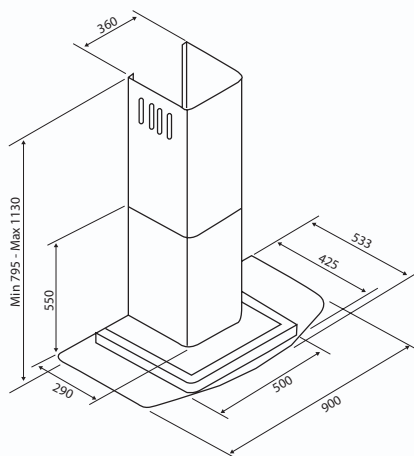


60 flat

Product code: 91200AW
 Description: 60 cm Flat Glass Hood
 Colour: Stainless Steel and Glass

Features / Specification

- 60cm Flat Glass Hood
- 3 speed levels
- Stainless steel finish
- Recirculation or extraction
- Maximum extraction rate 480 m³/h
- Electronic touch control & built in timer
- 200 W motor
- Twin 50w halogen spotlights
- Aluminium grease filter
- Optional carbon filter system

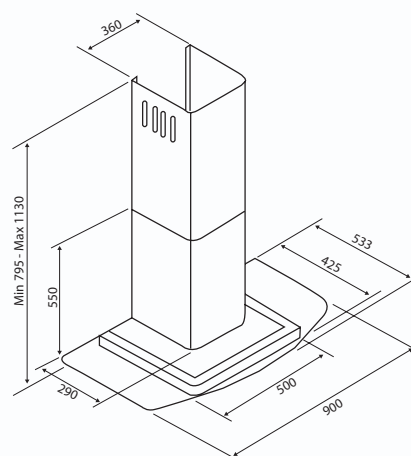


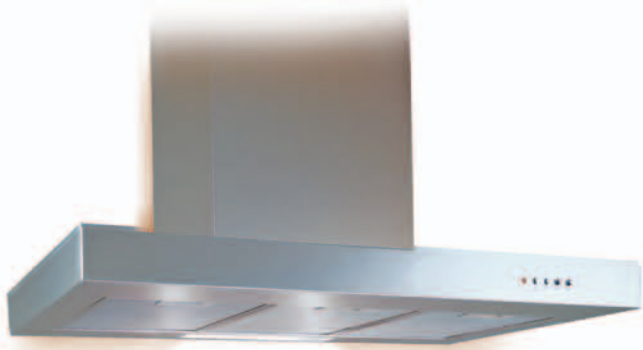
90 flat

Product code: 91201AW
 Description: 90 cm Flat Glass Hood
 Colour: Stainless Steel and Glass

Features / Specification

- 90cm Flat Glass Hood
- 3 speed levels
- Stainless steel finish
- Recirculation or extraction
- Maximum extraction rate 480 m³/h
- Electronic touch control & built in timer
- 200 W motor
- Twin 50w halogen spotlights
- Aluminium grease filter
- Optional carbon filter system



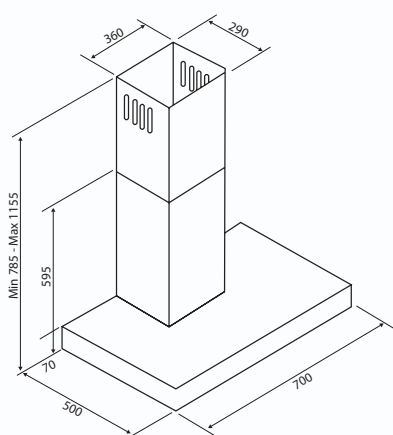


70 box

Product code: 91198AW
 Description: 70 cm Box Hood
 Colour: Stainless Steel

Features / Specification

- 70cm Box Hood
- 3 speed levels
- Stainless steel finish
- Recirculation or extraction
- Maximum extraction rate 480 m³/h
- Push button control panel
- 200 W motor
- Built in twin spotlights
- Twin aluminium grease filters
- Optional carbon filter system

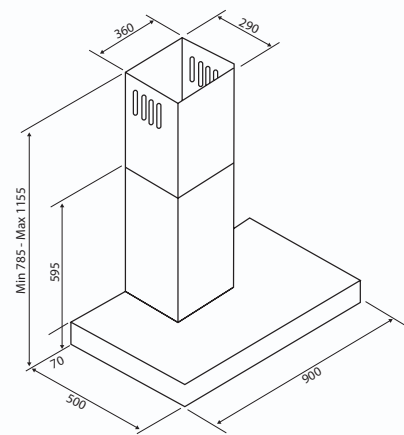


90 box

Product code: 91199AW
 Description: 90 cm Box Hood
 Colour: Stainless Steel

Features / Specification

- 90cm Box Hood
- 3 speed levels
- Stainless steel finish
- Recirculation or extraction
- Maximum extraction rate 480 m³/h
- Push button control panel
- 200 W motor
- Built in twin spotlights
- Triple aluminium grease filters
- Optional carbon filter system



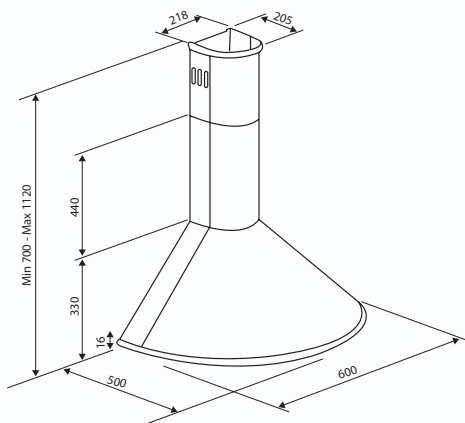


60 tonda

Product code: 91196AW
Description: 60 cm Tonda Hood
Colour: Stainless Steel

Features / Specification

- 60cm Tonda Hood
- 3 speed levels
- Stainless steel finish
- Recirculation or extraction
- Maximum extraction rate 480 m³/h
- Sliding control panel
- 200 W motor
- Built in twin spotlights
- Twin aluminium grease filters
- Optional carbon filter system

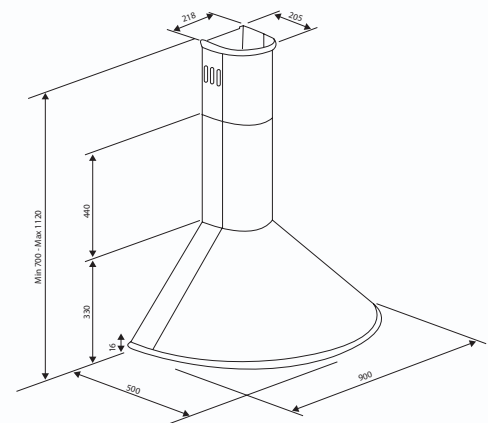


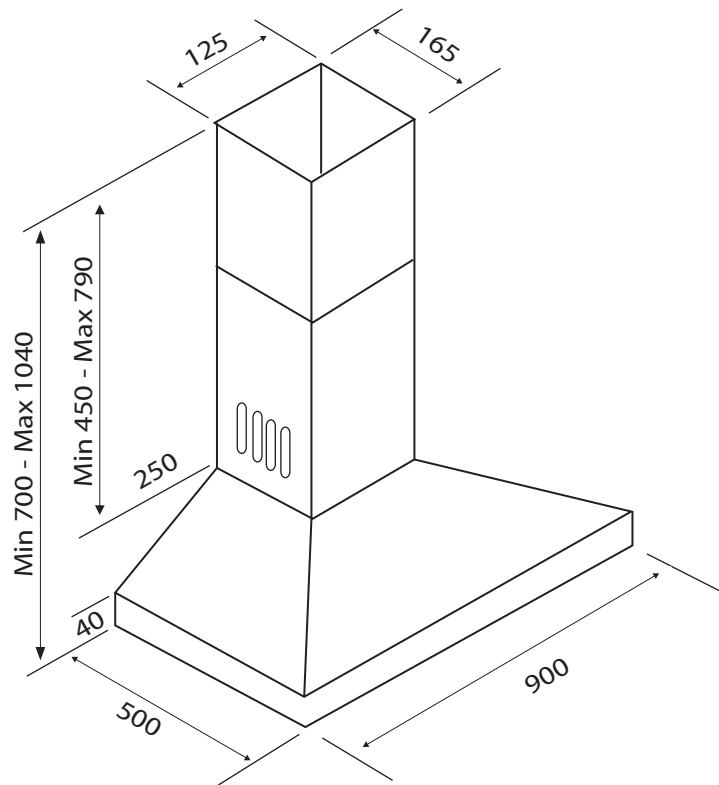
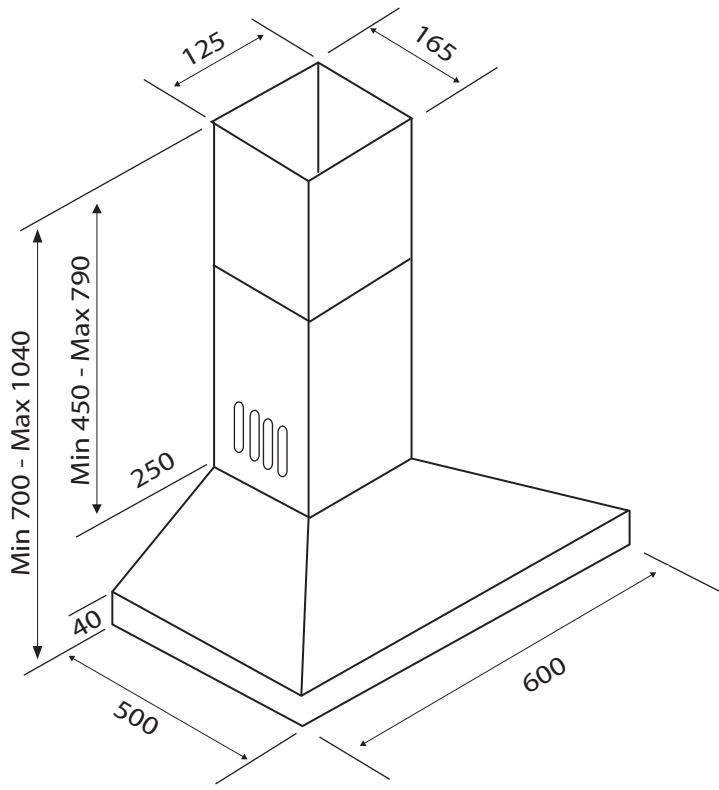
90 tonda

Product code: 91197AW
Description: 90 cm Tonda Hood
Colour: Stainless Steel

Features / Specification

- 90cm Tonda Hood
- 3 speed levels
- Stainless steel finish
- Recirculation or extraction
- Maximum extraction rate 480 m³/h
- Sliding control panel
- 200 W motor
- Built in twin spotlights
- Twin aluminium grease filters
- Optional carbon filter system





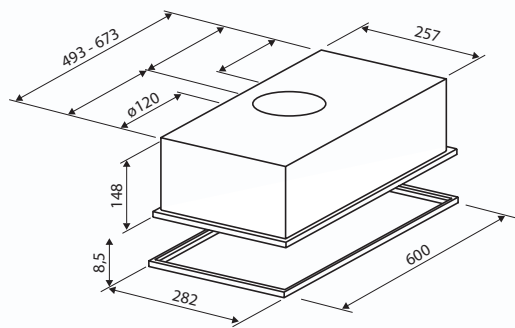


canopy

Product code: 91192AW
 Description: 60 cm Canopy Hood
 Colour: Stainless Steel

Features / Specification

- 60cm Canopy Hood
- 3 speed levels
- Available in silver finish
- Recirculation or extraction
- Maximum extraction rate 229 m³/h
- Sliding control panel
- 140 W motor
- Built in twin spotlights
- Carbon filter system
- Acrylic grease filter in metal grid casing

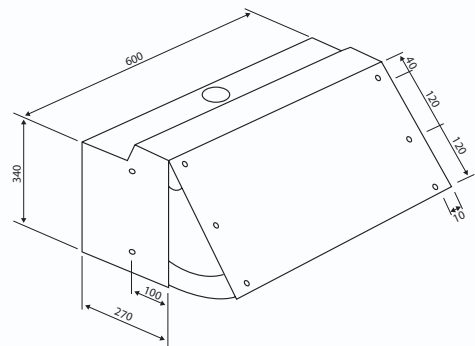


integrated

Product code: 91193AW
 Description: 60 cm Integrated Hood
 Colour: Silver

Features / Specification

- 60cm Integrated Hood
- 3 speed levels
- Available in silver finish
- Recirculation or extraction
- Maximum extraction rate 240 m³/h
- Sliding control panel
- 125 W motor
- Built in twin spotlights
- Metallic grease filter in aluminium grille
- Optional carbon filter system





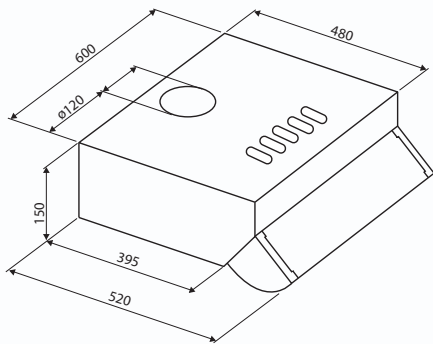
standard

Product code: 91189AW - White
91190AB - Brown

Description: 60 cm Standard Hood
Colour: White or Brown

Features / Specification

60cm Standard Hood
3 speed levels
Available in white or brown finish
Recirculation or extraction
Maximum extraction rate 200 m³/h
Sliding control panel
125 W motor
Built in spotlight
Additional carbon filter system
Acrylic grease filter in metal grid casing

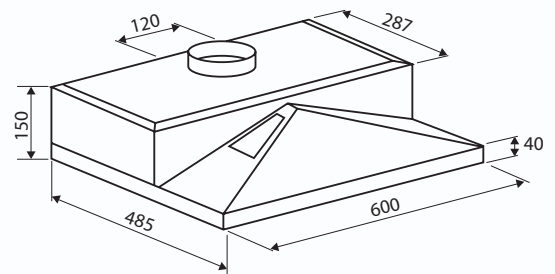


standard deluxe

Product code: 91191AW
Description: 60 cm Standard Deluxe Hood
Colour: Stainless Steel

Features / Specification

60cm Standard Deluxe Hood
3 speed levels
Stainless steel finish
Recirculation or extraction
Maximum extraction rate 200 m³/h
Sliding control panel
125 W motor
Built in twin spotlights
Twin aluminium grease filters
Additional carbon filter system





	Part No.	Colour	Size
60cm Splashback	91204AW	Stainless Steel	60 x 75
70cm Splashback	91205AW	Stainless Steel	70 x 75
90cm Spalshback	91206AW	Stainless Steel	90 x 75
100cm Splashback	91207AW	Stainless Steel	100 x 75
110cm Splashback	91208AW	Stainless Steel	110 x 75

sales hotline 08709 000420

sales fax 08709 000520

www.xpelair.co.uk



Applied Energy Products Ltd, Morley Way, Peterborough PE2 9JJ, England

Tel: 01733 456789, Fax: 01733 310606

Registered in England No. 306008. Registered Office; Morley Way, Peterborough PE2 9JJ, England.

in view of the APPLIED ENERGY PRODUCTS LIMITED policy of continuous product improvement, the right is reserved to change specification, colour range and prices of the models and items illustrated or described in this publication. You should therefore check current details with your XPELAIR sales representative. **X030 March 2004**