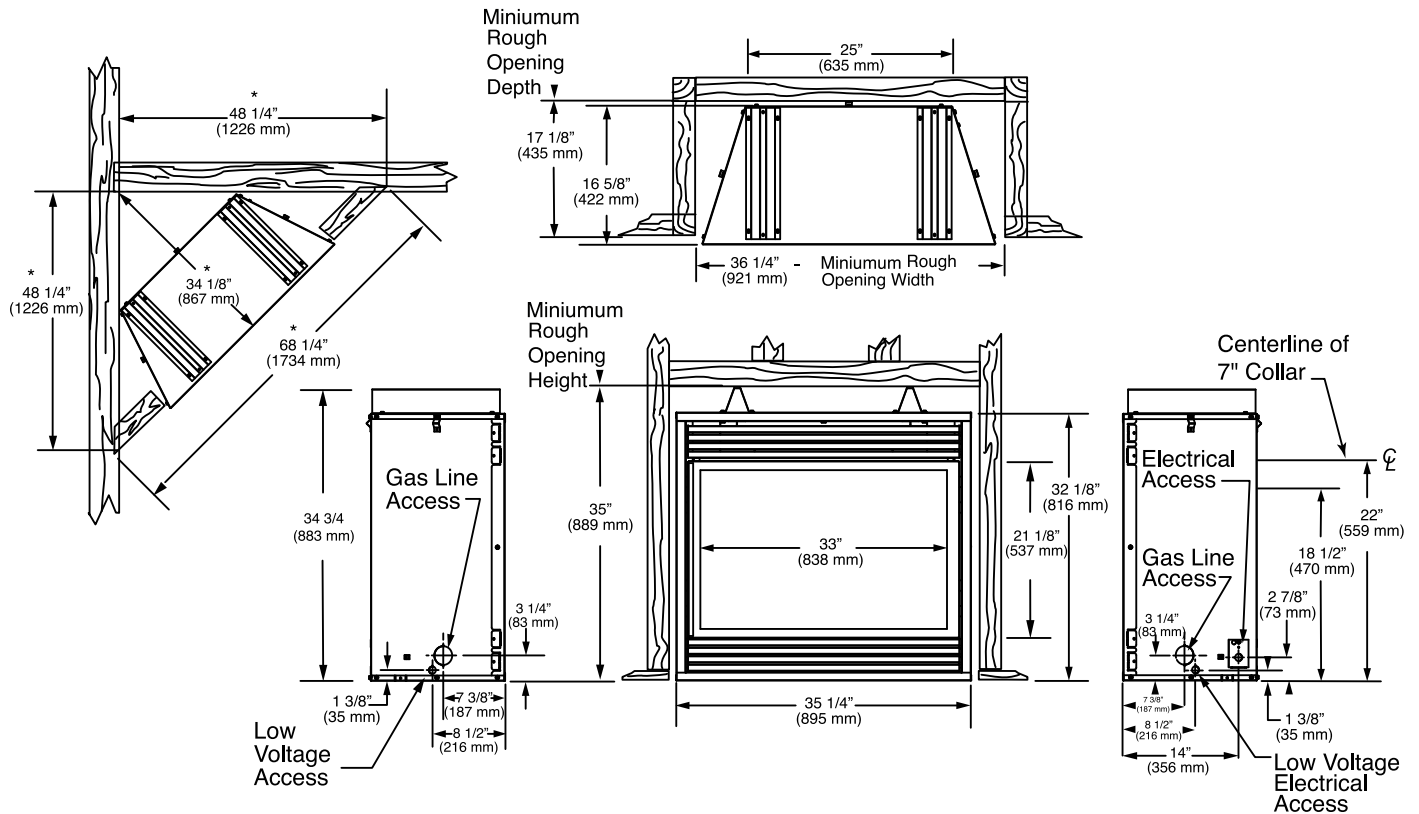


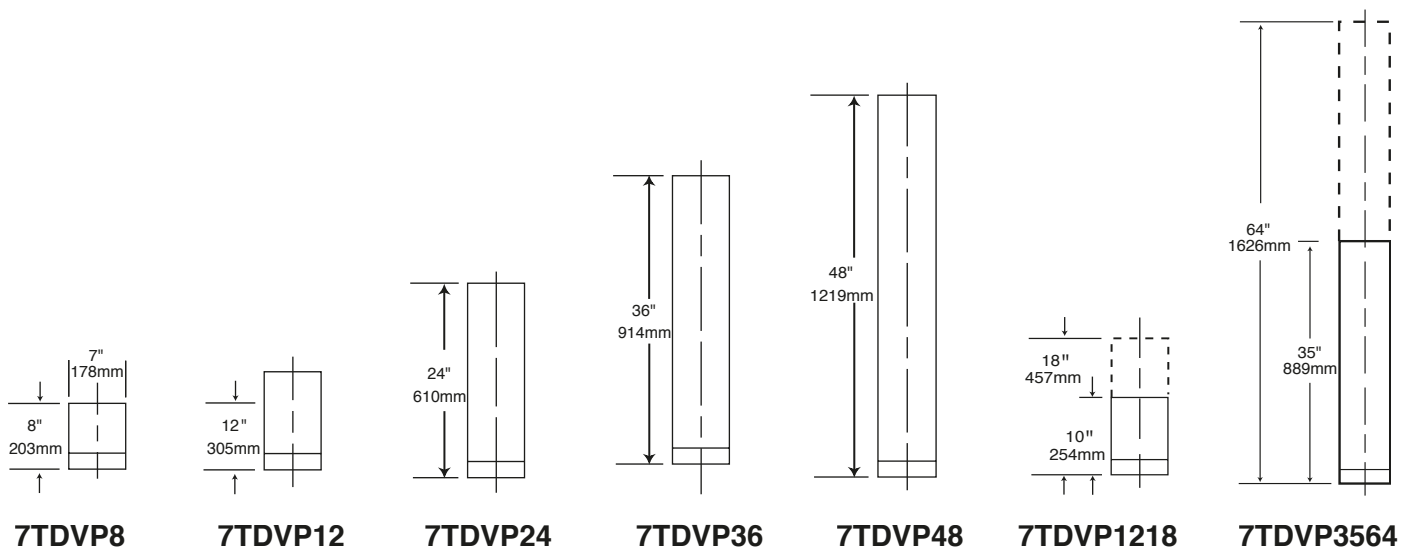
# FIREPLACE and VENTING SPECIFICATIONS

## TRIBUTE 36CDVXR REAR VENT GAS FIREPLACE



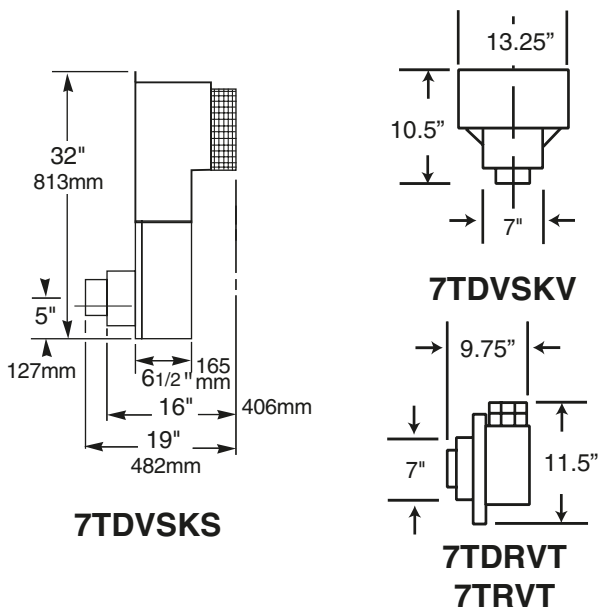
\* Must be adhered to if using 7TCD45KT Flex Vent Kit

## VENT SECTIONS and OFFSETTING ELBOWS

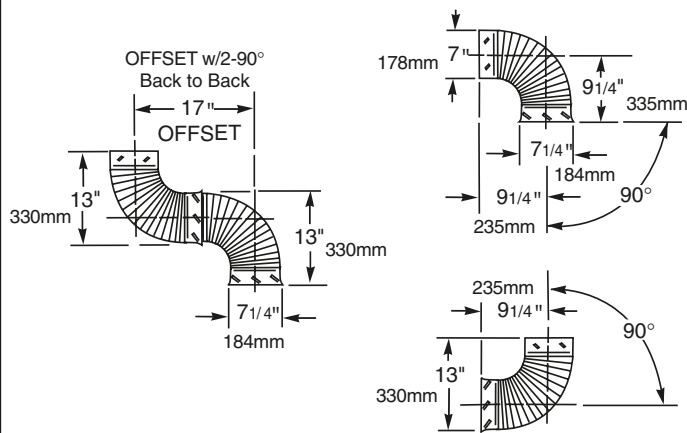


NOTE: THE INSTALLED LENGTH OF ANY VENTING SECTION IS 1 1/2" LESS THAN ITS TOTAL LENGTH, EXCEPT FOR THE LAST SECTION INSTALLED.

# CONTEMPORARY TERMINATIONS



# ELBOWS



**7TDVRT90** FP889

**7TDV45** FP890

# FIREPLACE FACTS

## Tribute 36CDVXR

### FEATURES:

- 36" Tribute Direct Vent Gas Appliance
- 14,700 to 21,000 BTU/hr. input
- 18" Gas Inlet Flex Line with Shut-Off Valve
- 2 Piece Log Set Fastened
- Embossed Refractory
- Attached 17' Low Voltage Wire Connected to Valve for Remote Operation Hook-Up
- Includes Electrical Receptacle

### Accessories:

- FK12 - Fan and Cord (160cfm)
- RC1/RC2 - Universal Remote Controls
- IMTFK - IMT Thermostat w/ Face Plate

### Dedicated Tribute DV Venting Components:

- 7TCRVT - Rear Vent Kit includes: Rigid Flue Assembly, Hot Touch Termination which telescopes between 7" and 13" and Firestop
- 7TCDV45KT - Flex Pipe Assembly extends 13" to 32", Firestop & Termination (for 45° corner installation)
- 7TCDV90 - 90 Degree Elbow (unitized)

### Bulk Flex Vent Kits\*

- 7FDVCK - Bulk Flex Connector Kit (Includes: 10 4" Clamps and 10 7" Clamps to secure the flex vent to the fireplace and termination)
- 7FDVSPK - Bulk Flex Spacer Kit (Includes: 10 Spring Spacers)
- VSK7 - Vertical Vent Kit

### BURNER SYSTEM:

- Capacity - Natural: 21,000 BTU/HR Max. 14,700 BTU/HR Min.
- Propane: 21,000 BTU/HR Max. 15,750 BTU/HR Min.
- Fuel - Natural or Propane Gas

### Clearance to Combustibles:

- Top of Unit to Ceiling **36" (914 mm)**
- Front of Unit of Combustibles **36" (914 mm)**

### Appliance

Top	0" (0 mm)
Bottom	0" (0 mm)
Side	0" (0 mm)
Back	0" (0 mm)

### Venting

Concentric sections of DV Vent	
Top, bottom & sides	1" (25 mm)

**NOTE: Hood must be permanently installed with three (3) sheet metal screws supplied in Fireplace. Gas Inlet and Manifold Pressures**

	Natural	LP (Propane)
Inlet Minimum	5.5" w.c.	11.0" w.c.
Inlet Maximum	14.0" w.c.	14.0" w.c.
Manifold Pressure	3.5" w.c.	10.0" w.c.

The Fireplace Facts Information Sheets are for quick reference only and are subject to change without notice. Actual fireplace instructions must abide by specifications provided with each product.

REV. 10/07



## FLUE SYSTEM

### 7" Coaxial Direct Vent System

#### SPECIFICATIONS:

- 7" O.D.
- 4" I.D.

#### MINIMUM CLEARANCE TO COMBUSTIBLE MATERIAL

- Rear Wall Vent Applications 2" top, 1" Sides & Bottom
- Vertical Side Wall Applications 1" to All Sides
- Vertical thru the Roof Applications 1" to All Sides

#### MINIMUM COMBUSTIBLE WALL/FLOOR OPENINGS

- 9 3/8" W x 9 3/8" H for Rear Wall Vent Applications
- 9 3/8" W x 9 3/8" H for Vertical Side Wall/Vertical Applications

#### MAXIMUM INSTALLATION LENGTHS

- Rear Wall Vent Applications
  - 20" to 32" outside wall, and of vent outlet thru wall to be 27 1/4" up from floor, use 7TCDV45KT
  - 7" to 13" straight out
  - Corner Installation: 7TCDV45KT must be used. Vent outlet and thru wall must be 29 1/2" from floor
- Vertical Side Wall Applications
  - 20' (6 m) Horizontal Vent Length with 7.5' (2.29 m) vertical rise
  - \*Refer to manual for alternative venting distance

#### VERTICAL THRU THE ROOF APPLICATIONS

- 8' (2.4 m) Minimum Vertical Rise
- 40' (12 m) Maximum Vertical Rise
- 2 sets of 45° Elbows can be used in Vertical rise with 8' maximum distance between elbows
- Two 90° elbows maximum for 10' (3 m)
- Horizontal can be installed in Vertical Applications

\*Maximum angular variation for Vertical Sidewall/Vertical Application in system is total of 270°

\*Refer to installation manual for all venting restrictions with elbow use

#### TERMINATION CLEARANCES MINIMUM

##### a) Horizontal

- 12" (305 mm) above Grade Level
- 18" (458 mm) to Ventilated Soffit
- 12" (305 mm) to Unventilated Soffit
- 12" (305 mm) under veranda, porch, deck or balcony

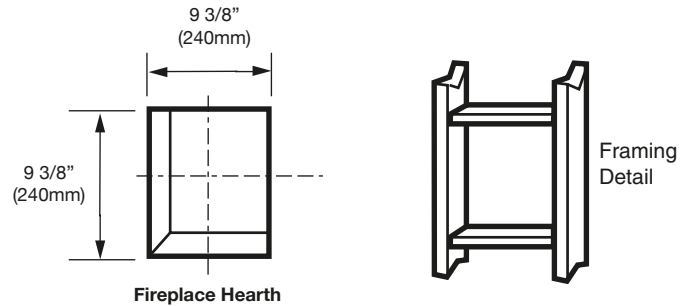
##### b) Vertical

- 24" (610 mm) Above a Roof Surface and any other obstruction within a horizontal distance of 18" (458 mm)

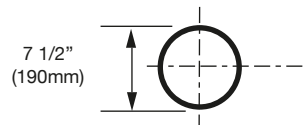
\*Refer to installation manual for more termination restrictions and clearance information

## VERTICAL SIDEWALL INSTALLATION

### Venting Opening for Combustible Wall



### Opening for Noncombustible Wall



V0584-100

## PRODUCT LISTING

36CDVXR Certified to - ANSI Z21.88-2005 / CSA 2.33-2005  
Vented Gas Fireplace Heaters

This appliance may be installed in an aftermarket permanently located, manufactured home or mobile home, where not prohibited by local codes. This appliance is only for use with the type of gas indicated on the rating plate. This appliance is not convertible for use with other gases, unless a certified kit is used. The CDVXR has been approved for mobile home installations.

