

brother®

USER'S GUIDE



DCP-8060
DCP-8065DN

If you need to call Customer Service

Please complete the following information for future reference:

Model Number: DCP-8060 and DCP-8065DN
(Circle your model number)

Serial Number: ¹ _____

Date of Purchase: _____

Place of Purchase: _____

¹ The serial number is on the back of the unit. Retain this User's Guide with your sales receipt as a permanent record of your purchase, in the event of theft, fire or warranty service.

Register your product on-line at

<http://www.brother.com/registration>

By registering your product with Brother, you will be recorded as the original owner of the product. Your registration with Brother:

- may serve as confirmation of the purchase date of your product should you lose your receipt;
- may support an insurance claim by you in the event of product loss covered by insurance; and,
- will help us notify you of enhancements to your product and special offers.

The most convenient and efficient way to register your new product is online at <http://www.brother.com/registration>

Brother numbers

IMPORTANT

For technical help, you must call the country where you bought the machine. Calls must be made *from within* that country.

Register your product

By registering your product with Brother International Corporation, you will be recorded as the original owner of the product. Your registration with Brother:

- may serve as confirmation of the purchase date of your product should you lose your receipt;
- may support an insurance claim by you in the event of product loss covered by insurance; and,
- will help us notify you of enhancements to your product and special offers.

Please complete and fax the Brother Warranty Registration And Test Sheet or, for your convenience and most efficient way to register your new product, register on-line at

<http://www.brother.com/registration>

FAQs (frequently asked questions)

The Brother Solutions Center is our one-stop resource for all your Fax Machine/Multi-Function Center needs. You can download the latest software and utilities and read FAQs and troubleshooting tips to learn how to get the most from your Brother product.

<http://solutions.brother.com>



Note

You can check here for Brother driver updates.

For Customer Service

In USA: 1-800-284-4329 (voice)
1-901-379-1215 (fax)
1-800-284-3238 (TTY service for the hearing-impaired)

In Canada: 1-877-BROTHER (voice)
(514) 685-4898 (fax)

Service Center Locator (USA only)

For the location of a Brother authorized service center, call 1-800-284-4357.

Service Center Locations (Canada only)

For the location of a Brother authorized service center, call 1-877-BROTHER.

Brother fax back system (USA only)

Brother has installed an easy-to-use fax back system, so you can get instant answers to common technical questions and product information for all Brother products. This system is available 24 hours a day, 7 days a week. You can use the system to receive faxed instructions and an Index of fax back subjects.

In USA only: 1-800-521-2846

Ordering accessories and supplies

For best quality results use only genuine Brother accessories, which are available at most Brother retailers. If you cannot find the accessory you need and you have a Visa, MasterCard, Discover, or American Express credit card, you can order accessories directly from Brother. (In the USA, you can visit us online for a complete selection of the Brother accessories and supplies that are available for purchase.)

In USA: 1-888-879-3232 (voice)
1-800-947-1445 (fax)

<http://www.brothermall.com>

In Canada: 1-877-BROTHER (voice)

Description	Item
Toner Cartridge	TN-550 (Standard, Prints approx. 3,500 pages) TN-580 (High yield, Prints approx. 7,000 pages)
Drum Unit	DR-520
IEEE-1284 Bi-directional Cable	F2A046-10
Paper Tray #2 (Option)	LT-5300
User's Guide	LP2049001 (English for USA and Canada) LP2049002 (French for Canada)
Quick Setup Guide	LP2053001 (English for USA and Canada) LP2053002 (French for Canada)

Notice - Disclaimer of Warranties (USA and Canada)

BROTHER'S LICENSOR(S), AND THEIR DIRECTORS, OFFICERS, EMPLOYEES OR AGENTS (COLLECTIVELY BROTHER'S LICENSOR) MAKE NO WARRANTIES, EXPRESS OR IMPLIED, INCLUDING WITHOUT LIMITATION THE IMPLIED WARRANTIES OF MERCHANTABILITY AND FITNESS FOR A PARTICULAR PURPOSE, REGARDING THE SOFTWARE. BROTHER'S LICENSOR(S) DOES NOT WARRANT, GUARANTEE OR MAKE ANY REPRESENTATIONS REGARDING THE USE OR THE RESULTS OF THE USE OF THE SOFTWARE IN TERMS OF ITS CORRECTNESS, ACCURACY, RELIABILITY, CURRENTNESS OR OTHERWISE. THE ENTIRE RISK AS TO THE RESULTS AND PERFORMANCE OF THE SOFTWARE IS ASSUMED BY YOU. THE EXCLUSION OF IMPLIED WARRANTIES IS NOT PERMITTED BY SOME STATES IN THE USA AND SOME PROVINCES IN CANADA. THE ABOVE EXCLUSION MAY NOT APPLY TO YOU.

IN NO EVENT WILL BROTHER'S LICENSOR(S) BE LIABLE TO YOU FOR ANY CONSEQUENTIAL, INCIDENTAL OR INDIRECT DAMAGES (INCLUDING DAMAGES FOR LOSS OF BUSINESS PROFITS, BUSINESS INTERRUPTION, LOSS OF BUSINESS INFORMATION, AND THE LIKE) ARISING OUT OF THE USE OR INABILITY TO USE THE SOFTWARE EVEN IF BROTHER'S LICENSOR HAS BEEN ADVISED OF THE POSSIBILITY OF SUCH DAMAGES. BECAUSE SOME STATES IN THE USA AND SOME PROVINCES IN CANADA DO NOT ALLOW THE EXCLUSION OR LIMITATION OF LIABILITY FOR CONSEQUENTIAL OR INCIDENTAL DAMAGES, THE ABOVE LIMITATIONS MAY NOT APPLY TO YOU. IN ANY EVENT BROTHER'S LICENSOR'S LIABILITY TO YOU FOR ACTUAL DAMAGES FROM ANY CAUSE WHATSOEVER, AND REGARDLESS OF THE FORM OF THE ACTION (WHETHER IN CONTRACT, TORT (INCLUDING NEGLIGENCE), PRODUCT LIABILITY OR OTHERWISE), WILL BE LIMITED TO \$50.

Compilation and Publication Notice

Under the supervision of Brother Industries Ltd., this manual has been compiled and published, covering the latest product descriptions and specifications.

The contents of this manual and the specifications of this product are subject to change without notice.

Brother reserves the right to make changes without notice in the specifications and materials contained herein and shall not be responsible for any damages (including consequential) caused by reliance on the materials presented, including but not limited to typographical and other errors relating to the publication.

Brother® Three-Year Limited Warranty and Exchange Service For DCP-8060 and DCP-8065DN (USA only)

Who is covered:

- This limited warranty ("warranty") is given only to the original end-use/retail purchaser (referred to in this warranty as "Original Purchaser") of the accompanying product, consumables and accessories (collectively referred to in this warranty as "this Product").
- If you purchased a product from someone other than an authorized Brother reseller in the United States or if the product was used (including but not limited to floor models or refurbished product), prior to your purchase you are not the Original Purchaser and the product that you purchased is not covered by this warranty.

What is covered:

- This Product includes a Machine and Consumable and Accessory Items. Consumable and Accessory Items include but are not limited to toner, drums, print heads and ink cartridges.
- Except as otherwise provided herein, Brother warrants that the Machine and the accompanying Consumable and Accessory Items will be free from defects in materials and workmanship, when used under normal conditions.
- This warranty applies only to products purchased and used in the United States. For products purchased in, but used outside, the United States, this warranty covers only warranty service within the United States (and does not include shipping outside the United States).

What is the length of the Warranty Period(s):

- Machines have a two-stage warranty: 2 years from the original purchase date and an additional warranty up to 3 years from the original purchase date.
- Accompanying Consumable and Accessories Items have a one-stage warranty: 90 days from the original purchase date or the rated life of the Consumable Item, whichever occurs first.

What is NOT covered:

This warranty does not cover:

- 1 Physical damage to this Product;
- 2 Damage caused by improper installation, improper or abnormal use, misuse, neglect or accident (including but not limited to transporting this Product without the proper preparation and/or packaging);
- 3 Damage caused by another device or software used with this Product (including but not limited to damage resulting from use of non Brother®-brand parts and Consumable and Accessory Items);
- 4 Consumable and Accessory Items that expired in accordance with a rated life; and,
- 5 Problems arising from other than defects in materials or workmanship.
- 6 Normal Periodic Maintenance Items, such as Paper Feeding Kit, Fuser and Laser Units.

This warranty is VOID if this Product has been altered or modified in any way (including but not limited to attempted warranty repair without authorization from Brother and/or alteration/removal of the serial number).

What to do if you think your Product is eligible for warranty service:

Report your issue to either our Customer Service Hotline at 1-800-284-4329 or a Brother Authorized Service Center **within the applicable warranty period**. Supply Brother or the Brother Authorized Service Center with a copy of your dated bill of sale showing that this Product was purchased within the U.S. For the name of local Brother Authorized Service Center(s), call 1-800-521-2846 or visit our web site at www.brother.com.

What Brother will ask you to do:

After contacting Brother or a Brother Authorized Service Center, you may be required to deliver (by hand if you prefer) or send the Product properly packaged, freight prepaid, to the Authorized Service Center together with a photocopy of your bill of sale. **You are responsible for the cost of shipping, packing product, and insurance (if you desire). You are also responsible for loss or damage to this Product in shipping.**

Brother® Three-Year Limited Warranty and Exchange Service For DCP-8060 and DCP-8065DN (USA only)

What Brother will do:

First 2 Years:

If the problem reported concerning your Machine and/or accompanying Consumable and Accessory Item(s) is covered by this warranty and if (i) you first reported the problem with your Machine to Brother or an Authorized Service Center within 2 years from the original purchase date or (ii) you first reported the problem with the accompanying Consumable and Accessory Items to Brother or an Authorized Service Center within the earlier of 90 days from the original purchase date or the rated life of the item, Brother or its Authorized Service Center will repair or replace the Machine and/or accompanying Consumable and Accessory Item(s) at no charge to you for parts or labor. The decision as to whether to repair or replace the Machine and/or accompanying Consumable and Accessory Item(s) is made by Brother in its sole discretion. Brother reserves the right to supply a refurbished or remanufactured replacement Machine and/or accompanying Consumable and Accessory Item(s) and use refurbished parts provided such replacement products conform to the manufacturer's specifications for new product/parts. The repaired or replacement Machine and/or accompanying Consumable and Accessory Item(s) will be returned to you freight prepaid or made available for you to pick up at a conveniently located Authorized Service Center.

2 Years to 3 Years:

If the problem reported concerning your Machine is covered by this warranty and if you first reported the problem after 2 years, but before 3 years from the original purchase date, Brother or its Authorized Service Center will repair the Machine at no charge to you for parts or labor. Brother reserves the right to use refurbished parts provided such refurbished parts conform to the manufacturer's specifications for new product/parts. The repaired Machine will be returned to you freight prepaid or made available for you to pick up at a conveniently located Authorized Service Center.

If the Machine and/or accompanying Consumable and Accessory Item(s) are not covered by this warranty (either stage), you will be charged for shipping the Machine and/or accompanying Consumable and Accessory Item(s) back to you.

The foregoing are your sole (i.e., only) and exclusive remedies under this warranty.

What happens when Brother elects to replace your Machine:

When a replacement Machine is authorized by Brother, and you have delivered the Machine to an Authorized Service Center, the Authorized Service Center will provide you with a replacement Machine after receiving one from Brother. If you are dealing directly with Brother, Brother will send to you a replacement Machine with the understanding that you will, after receipt of the replacement Machine, supply the required proof of purchase information, together with the Machine that Brother agreed to replace. You are then expected to pack the Machine that Brother agreed to replace in the package from the replacement Machine and return it to Brother using the shipping bill supplied by Brother in accordance with the instructions provided by Brother. Since you will be in possession of two machines, Brother will require that you provide a valid major credit card number. Brother will issue a hold against the credit card account number that you provide until Brother receives your original Product and determines that your original Product is entitled to warranty coverage. Your credit card will be charged up to the cost of a new Product only if: (i) you do not return your original Product to Brother within five (5) business days; (ii) the problems of your original Product are not covered by the warranty; (iii) the proper packaging instructions are not followed and has caused damage to the product; or (iv) the warranty period on your original Product has expired or has not been sufficiently validated with a copy of the proof of purchase (bill of sale). The replacement Machine you receive (even if refurbished or remanufactured) will be covered by the balance of the warranty period remaining on the original Product, plus an additional thirty (30) days. You will keep the replacement Machine that is sent to you and your original Machine shall become the property of Brother. **Retain your original Accessory Items and a copy of the return shipping bill, signed by the courier.**

Brother® Three-Year Limited Warranty and Exchange Service
For DCP-8060 and DCP-8065DN
(USA only)

Limitations:

Brother is not responsible for damage to or loss of any equipment, media, programs or data related to the use of this Product. Except for that repair or replacement as described above, Brother shall not be liable for any direct, indirect, incidental or consequential damages or specific relief. Because some states do not allow the exclusion or limitation of consequential or incidental damages, the above limitation may not apply to you.

THIS WARRANTY IS GIVEN IN LIEU OF ALL OTHER WARRANTIES, WRITTEN OR ORAL, WHETHER EXPRESSED BY AFFIRMATION, PROMISE, DESCRIPTION, DRAWING, MODEL OR SAMPLE. ANY AND ALL WARRANTIES OTHER THAN THIS ONE, WHETHER EXPRESS OR IMPLIED, INCLUDING IMPLIED WARRANTIES OF MERCHANTABILITY AND FITNESS FOR A PARTICULAR PURPOSE, ARE HEREBY DISCLAIMED.

- This Warranty is the only warranty that Brother is giving for this Product. It is the *final expression and the exclusive and only statement* of Brother's obligations to you. It replaces all other agreements and understandings that you may have with Brother or its representatives.
- This warranty gives you certain rights and you may also have other rights that may vary from state to state.
- This Warranty (and Brother's obligation to you) may not be changed in any way unless you and Brother sign the same piece of paper in which we (1) refer to this Product and your bill of sale date, (2) describe the change to this warranty and (3) agree to make that change.

Important: We recommend that you keep all original packing materials, in the event that you ship this Product.

BROTHER MULTIFUNCTION CENTER/FACSIMILE MACHINE LIMITED WARRANTY (Canada only)

Pursuant to this limited warranty of 1 year from the date of purchase for labour and parts, Brother International Corporation (Canada) Ltd. ("Brother"), or its Authorized Service Centers, will repair this MFC/Facsimile machine free of charge if defective in material or workmanship. This Limited Warranty does not include cleaning, consumables (including, without limitation, print cartridges, print head, toner and drum) or damage caused by accident, neglect, misuse or improper installation or operation, any damage caused from service, maintenance, modifications, or tampering by anyone other than a Brother Authorized Service Representative, or from the use of supplies or consumable items that are non-Brother products. Operation of the MFC/Facsimile machine in excess of the specifications or with the Serial Number or Rating Label removed shall be deemed abuse and all repairs thereafter shall be the sole liability of the end-user/purchaser. In order to obtain warranty service, the MFC/Facsimile machine must be delivered or shipped freight prepaid by the end user/purchaser to a "Brother" Authorized Service Center, together with your Proof of Purchase in the form of a Sales Receipt.

For laser products: Failure to remove the Toner Cartridge (and Toner Drum Unit on applicable models) during shipping will cause severe damage to the MFC/Facsimile and will VOID the Warranty. (Refer to your User's Guide for proper packaging.)

For ink-jet products: Do not remove the ink cartridges during shipping. Damage to your print head resulting from packing without the ink cartridges will VOID your warranty. (Refer to your User's Guide for proper packaging.)

BROTHER DISCLAIMS ALL OTHER WARRANTIES EXPRESSED OR IMPLIED INCLUDING, WITHOUT LIMITATION, ANY IMPLIED WARRANTIES OF MERCHANTABILITY OR FITNESS FOR A PARTICULAR PURPOSE, EXCEPT TO THE EXTENT THAT ANY WARRANTIES IMPLIED BY LAW CANNOT BE VALIDLY WAIVED.

No oral or written information, advice or representation provided by Brother, its Authorized Service Centers, Distributors, Dealers, Agents or employees, shall create another warranty or modify this warranty. This warranty states Brother's entire liability and your exclusive remedy against Brother for any failure of the MFC/Facsimile machine to operate properly.

Neither Brother nor anyone else involved in the development, production, or delivery of this MFC/Facsimile machine shall be liable for any indirect, incidental, special, consequential, exemplary, or punitive damages, including lost profits, arising from the use of or inability to use the product, even if advised by the end user/purchaser of the possibility of such damages. Since some Provinces do not allow the above limitation of liability, such limitation may not apply to you.

This Limited Warranty gives you specific legal rights and you may also have other rights which vary from Province to Province.

Warranty Service is available at Brother Authorized Service Centers throughout Canada. For Technical Support or for the name and location of your nearest Authorized Service Center call 1-877-BROTHER.

Internet support: support@brother.ca or browse

Brother's Web Site: www.brother.com

Brother International Corporation (Canada) Ltd.

1 Rue Hôtel de Ville

Dollard-Des-Ormeaux, QC H9B 3H6

At your side.
brother®

Table of Contents

Section I General

1 General information

Using the documentation	2
Symbols and conventions used in the documentation	2
Accessing the complete User's Guide	3
Viewing documentation	3
Accessing Brother Support (For Windows®)	5
Control panel overview	6
Status LED indications	8

2 Loading documents and paper

Loading documents	10
Using the ADF	10
Using the scanner glass	11
Acceptable paper and other media	11
Recommended media	11
Handling and using media	12
Loading paper and other media	14
Loading paper	14
Loading envelopes and other media	15
Printable Area	16

3 General setup

Paper settings	17
Paper Type	17
Paper Size	17
Tray use in Copy mode	18
Tray use in Print mode	18
Volume Settings	19
Beeper volume	19
Ecology features	19
Toner save	19
Sleep time	19
Turning off the scanner lamp	20
LCD Contrast	20
User Settings List	20

4 Security features

Security	21
Secure Function Lock	21

Section II Copy

5 Making copies

How to copy	26
Making a single copy	26
Making multiple copies	26
Stop copying	26
Copy options	26
Changing copy quality	27
Changing text copy resolution	27
Enlarging or reducing the image copied	28
Making N in 1 copies or a poster	29
Duplex (2-sided) copying (DCP-8065DN only)	31
Sorting copies using the ADF	33
Adjusting contrast	33
Tray Select	34
Out of Memory message	34

Section III Software

6 Software and Network features

Software and Network features	36
-------------------------------------	----

Section IV Appendixes

A Safety and Legal

Choosing a location	38
To use the machine safely	39
Important Information	42
Federal Communications Commission (FCC) Declaration of Conformity (USA only)	42
Industry Canada Compliance Statement (Canada only)	43
Disconnect device	43
LAN connection	43
International ENERGY STAR® Compliance Statement	43
Laser safety	44
FDA regulations	44
Important safety instructions	45
Trademarks	47

B Options

Options	48
Optional Paper Tray (LT-5300)	49
Memory Board	49
DIMM types	49
Installing extra memory	50

C Troubleshooting and routine maintenance

Troubleshooting	51
If you are having difficulty with your machine	51
Improving the print quality	55
Error messages	59
Document jams	62
Paper jams	63
Routine maintenance	68
Cleaning the outside of the machine	68
Cleaning the scanner glass	69
Cleaning the laser scanner window	70
Cleaning the corona wire	71
Cleaning the drum unit	72
Replacing the toner cartridge (TN-550/TN-580)	73
Replacing the toner cartridge	74
Replacing the drum unit (DR-520)	76
Replacing periodic maintenance parts	78
Packing and shipping the machine	79
Machine Information	80
Checking the serial number	80
Checking the page counters	80
Checking remaining life of parts	80

D Menu and Features

On-screen programming	81
Menu table	81
Memory storage	81
Menu keys	81
Menu Table	83
Entering Text	89

E Specifications

General	91
Print media	92
Copy	93
Scan	94
Print	95
Interfaces	95
Computer requirements	96
Consumable items	97
Ethernet wired network (DCP-8065DN only)	98

F Glossary

Glossary	99
----------------	----

G Index

Index	100
-------------	-----



General

General information	2
Loading documents and paper	10
General setup	17
Security features	21

Using the documentation

Thank you for buying a Brother machine! Reading the documentation will help you make the most of your machine.

Symbols and conventions used in the documentation

The following symbols and conventions are used throughout the documentation.

Bold	Bold style identifies keys on the machine control panel or computer screen.
<i>Italics</i>	Italicized style emphasizes an important point or refers you to a related topic.
<code>Courier New</code>	Courier New font identifies the messages shown on the LCD of the machine.



Warning icons tell you what to do to avoid the risk of injury.



Electrical Hazard icons alert you to a possible electrical shock.



Hot Surface icons warn you not to touch MFC parts that are hot.



Caution icons tell you about procedures you must follow to prevent damaging the machine.



Incorrect setup icons alert you to devices and operations that are not compatible with the machine.



Note icons give useful tips.

Accessing the complete User's Guide

The printed User's Guide does not contain all the information about your machine. The advanced features of the Printer, Network and Scanner are explained in the complete User's Guide that you can find on the CD-ROM.

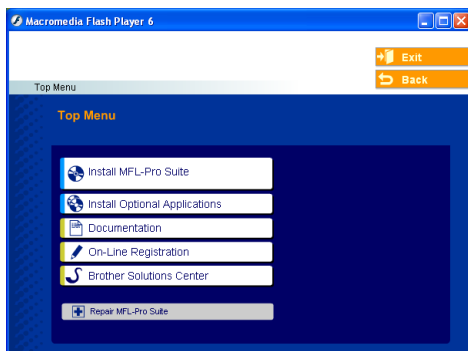
Viewing documentation

Viewing documentation (Windows®)

To view the documentation, from the **Start** menu, point to **Brother, MFL Pro Suite** from the program group, and then click **User's Guide**.

If you have not installed the software, you can find the documentation by following the instructions below:

- 1 Turn on your PC. Insert the Brother CD-ROM labeled Windows® into your CD-ROM drive.
- 2 If the language selection screen appears, click your language.
- 3 If the model name screen appears, click your model name. The CD-ROM main menu will appear.



If this window does not appear, use Windows® Explorer to find and run the setup.exe program from the root directory of the Brother CD-ROM.

- 4 Click **Documentation**.
- 5 Click the documentation you want to read:
 - *Setup Guide*: Setup and software installation instructions.
 - *User's Guide (3 manuals)*: User's Guide for stand-alone operations, Network User's Guide, and Software User's Guide.
 - *PaperPort User's Guide*: Document management software.

How to find Scanning instructions

There are several ways you can scan documents. You can find the instructions as follows:

Software User's Guide:

- Scanning a document using the TWAIN driver in Chapter 2
- Scanning a document using the WIA driver (For Windows® XP only) in Chapter 2
- Using ControlCenter2 in Chapter 3
- Network Scanning (For models with built-in network support) in Chapter 4

PaperPort® User's Guide

- Instructions for scanning directly from ScanSoft® PaperPort®

Viewing Documentation (Macintosh®)

- 1 Turn on your Macintosh®. Insert the Brother CD-ROM labeled Macintosh® into your CD-ROM drive. The following window will appear.



- 2 Double-click the **Documentation** icon.
- 3 If the language selection screen appears, double-click your language.
- 4 Double-click the documentation you want to read:
 - *Setup Guide*: Setup and Software installation instructions.
 - *User's Guides (3 manuals)*: User's Guide for stand-alone operations, Network User's Guide, and Software User's Guide.

How to find Scanning instructions

There are several ways you can scan documents. You can find the instructions as follows:

Software User's Guide:

- Scanning from a Macintosh® in Chapter 8 (For Mac OS® 9.1-9.2/Mac OS® X 10.2.4 or greater)
- Using ControlCenter2 in Chapter 9 (For Mac OS® X 10.2.4 or greater)
- Network Scanning in Chapter 10 (For Mac OS® X 10.2.4 or greater)

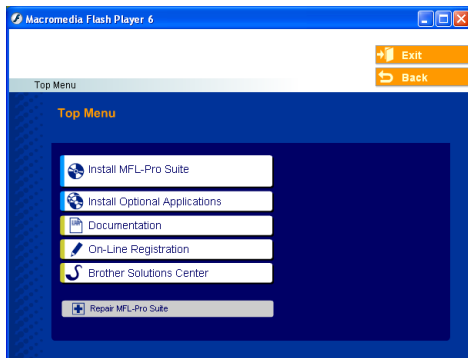
Presto!® PageManager® User's Guide

- Instructions for scanning directly from Presto!® PageManager®

Accessing Brother Support (For Windows®)

You can find all the contacts you will need, such as Web support (Brother Solutions Center), Customer Service and Brother Authorized Service Centers on page i and on the Brother CD-ROM.

- Click **Brother Support** on the main menu. The following screen will appear:



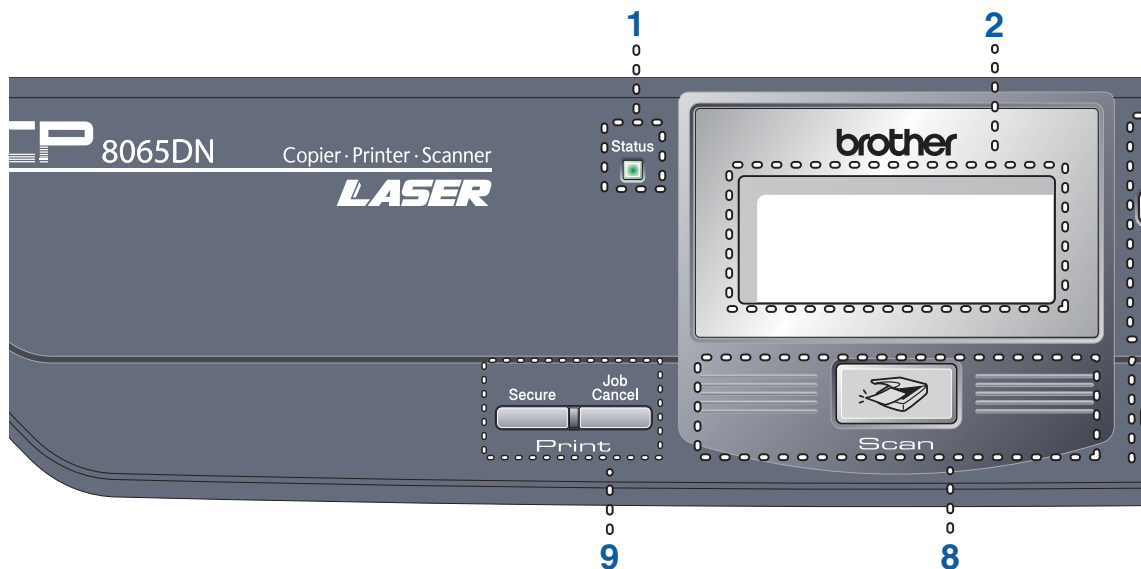
- To access our web site (www.brother.com) click **Brother Home Page**.
- To view all Brother Numbers, including Customer Service numbers for the USA and Canada, click **Support Information**.
- To access the USA Brother online shopping mall (www.brothermall.com) for additional product and service information, click **Brother Mall.com**.
- For the latest news and product support information (<http://solutions.brother.com/>), click **Brother Solutions Center**.

To return to the main page, click **Back**.

Or, if you have finished, click **Exit**.

Control panel overview

DCP-8060 and DCP-8065DN have similar control keys.



1 Status LED (light emitting diode)

The LED will flash and change color depending on the machine's status.

2 LCD (liquid crystal display)

Displays messages to help you use your machine.

3 Menu keys:

Menu

Accesses the main menu.

Clear/Back

Deletes entered data or lets you exit the menu.

OK

Selects a setting.

◀ or ▶

Scrolls backwards or forwards through menu selections.

▲ or ▼

Scrolls through the menus and options.

4 Dial pad

Used to enter text.

5 Stop/Exit

Stops an operation or exits from a menu.

6 Start

Starts copying or scanning.

7 Copy keys

Duplex (DCP-8065DN only)

You can choose Duplex to copy on both sides of the paper.

Contrast/Quality (DCP-8065DN only)

Lets you change the quality or contrast for the next copy.

Contrast (DCP-8060 only)

Lets you change the contrast for the next copy.

Quality (DCP-8060 only)

Lets you change the quality for the next copy.

Enlarge/Reduce

Reduces or enlarges copies.

Tray Select

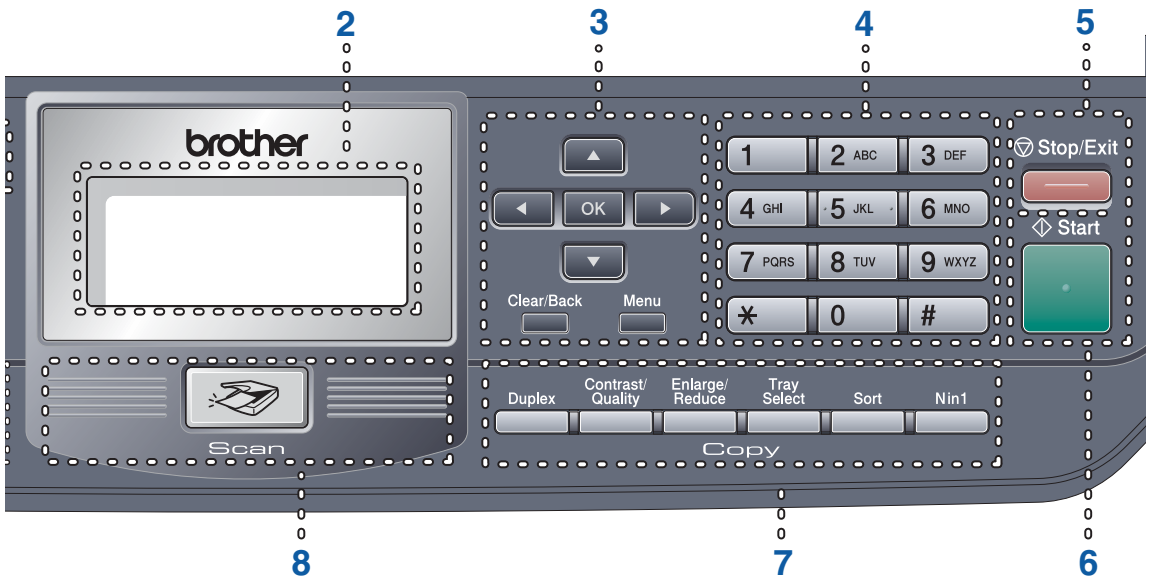
Lets you change which tray will be used for the next copy.

Sort

Sorts multiple copies using the ADF.

N in 1

You can choose N in 1 to copy 2 or 4 pages onto one page.

**8 Scan**

Puts the machine in Scan mode.
(For details about scanning, see *Software User's Guide on the CD-ROM*.)

9 Print keys**Secure**

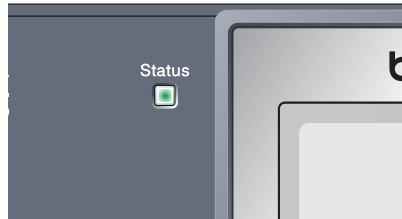
Prints data saved in memory when you enter your four-digit password.
(For details about using the Secure key, see the *Software User's Guide on the CD-ROM*.)

Job Cancel








Press this key to cancel a print job and clear the machine's memory.






Status LED indications



The **Status** LED (light emitting diode) will flash and change color depending on the machine's status.



The LED indications shown in the table below are used in the illustrations in this chapter.

LED				LED Status
				LED is off.
	 Green	 Yellow	 Red	LED is on.
	 Green	 Yellow	 Red	LED is blinking.

LED	Machine Status	Description
	Sleep Mode	The power switch is off or the machine is in Sleep mode.
 Green	Warming Up	The machine is warming up for printing.
 Green	Ready	The machine is ready to print.
 Yellow	Receiving Data	The machine is either receiving data from the computer, processing data in memory, or printing data.
 Yellow	Data Remaining in Memory	Print data remains in the machine memory.

 Red	Service error	Follow the steps below. 1. Turn off the power switch. 2. Wait a few seconds, and then turn it back on and try to print again. If you cannot clear the error and you see the same service call indication after turning the machine back on, please call Brother Customer Service. (See <i>Brother numbers</i> on page i.)
 Red	Cover open	The front cover or fuser cover is open. Close the cover.
	Toner Life End	Replace the toner cartridge with a new one.
	Paper error	Put paper in the tray or clear the paper jam. Check the LCD message.
	Scan lock	Check that the scanner lock lever is released.
	Others	Check the LCD message.
	Out of memory	Memory is full.

**Note**

When the power switch is off or the machine is in Sleep mode, the LED is off.

2

Loading documents and paper

Loading documents

All scan and copy operations can be performed from the ADF or the scanner glass.

Using the ADF

You can use the ADF (automatic document feeder) to scan or copy sheets of paper. The ADF feeds each sheet one at a time.

When loading the ADF, make sure that documents written with ink are completely dry.

Single-Sided Document

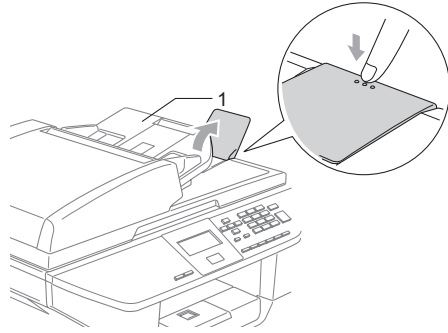
Documents must be from 5.8 to 8.5 inches (148.0 to 215.9 mm) wide and from 5.8 to 14 inches (148.0 to 355.6 mm) long, and of a standard weight (20 lb (80 g/m²)).

2-Sided Document (DCP-8065DN only)

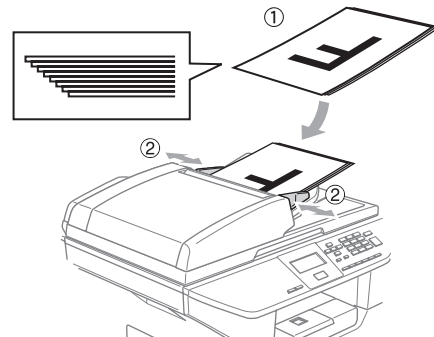
When you load a 2-sided document, the document must be from 5.8 to 8.5 inches (148.0 to 215.9 mm) wide and from 5.8 to 11.7 inches (148.0 to 297.0 mm) long.

For information on the capacity of the ADF see *Specifications* on page 91.

- 1 Unfold the ADF document output support flap (1).



- 2 Fan the pages well.
- 3 Place your documents face up, top edge first in the ADF until you feel them touch the feed roller.
- 4 Adjust the paper guides to fit the width of your documents.



! CAUTION

To avoid damaging your machine while using the ADF, do not pull on the document while it is feeding.

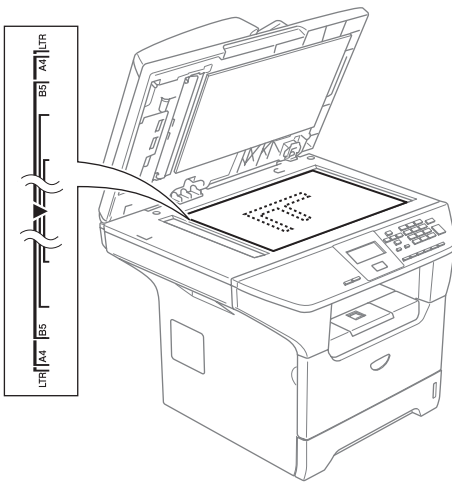
To scan non-standard documents see *Using the scanner glass* on page 11.

Using the scanner glass

You can use the scanner glass to scan or copy the pages of a book or single sheets of paper. Documents can be up to 8.5 inches wide and up to 14 inches long (215.9 mm wide to 355.6 mm long).

To use the scanner glass, the ADF must be empty.

- 1 Lift the document cover.



- 2 Using the document guidelines on the left, center the document face down on the scanner glass.
- 3 Close the document cover.



CAUTION

If the document is a book or is thick, do not slam the cover or press on it.

Acceptable paper and other media

Print quality may vary according to the type of paper you are using.

You can use the following types of media: plain paper, transparencies, labels or envelopes.

For best results, follow the steps below:

- Use paper made for plain paper copying.
- Use paper that is 20 to 24 lb (75 to 90 g/m²).
- Use labels or transparencies which are designed for use in laser printers.
- When using transparencies remove each sheet immediately to prevent smudging or paper jams.
- Avoid touching the printed surface of the paper immediately after printing.
- Use long grain paper with a neutral Ph value, and a moisture content of approx. 5%.

Recommended media

To get the best print quality, we suggest using the following paper.

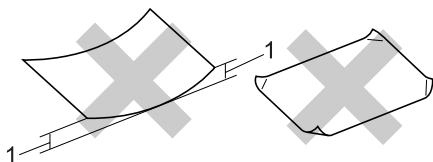
Paper Type	Item
Plain paper	Xerox 4200DP 20 lb
	Hammermill Laser Paper 24 lb
	(Xerox Premier 80g/m ²) (Xerox Business 80 g/m ²) (M-real DATACOPY 80 g/m ²)
Recycled paper	(Xerox Recycled Supreme)
Transparency	3M CG 3300
Labels	Avery laser label #5160 (Avery laser label L7163)

Handling and using media

- Store paper in its original packaging and keep it sealed. Keep the paper flat and away from moisture, direct sunlight and heat.
- Avoid touching either side of transparencies, as this can decrease the print quality.
- Only use transparencies recommended for laser printing.
- Only use sharply creased envelopes.

Improper Setup

Do not use any of the following paper, as they will cause paper feed problems:
damaged, coated, curled, wrinkled, highly textured, irregularly shaped, or paper that has previously been printed on by a printer.



1 0.08 in. (4 mm) or longer

Paper capacity of the paper tray

	Paper size	Paper types	No. of sheets
Paper Tray (Tray #1)	A4, Letter, Legal, Executive, A5, A6, B5, B6 and Folio ¹	Plain paper, Recycled paper and Bond paper	up to 250 [20 lb (80 g/m ²)]
		Transparency	up to 10
Multi-purpose tray (MP tray)	Width: 2.75 to 8.5 in. (69.9 to 215.9 mm) Length: 4.57 to 16.0 in. (116.0 to 406.4 mm)	Plain paper, Recycled paper, Bond paper, Envelope and Labels	up to 50 [20 lb (80 g/m ²)]
		Transparency	up to 10
Paper Tray (Tray #2)	A4, Letter, Legal, Executive, A5, B5, B6 and Folio ¹	Plain paper, Recycled paper and Bond paper	up to 250 [20 lb (80 g/m ²)]

¹ Folio size is 8 in. × 13 in.

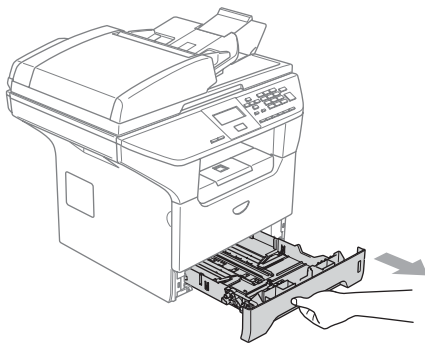
Loading paper and other media

When printing on plain paper 16 to 28 lb (60 to 105 g/m²) or laser transparencies use the paper tray.

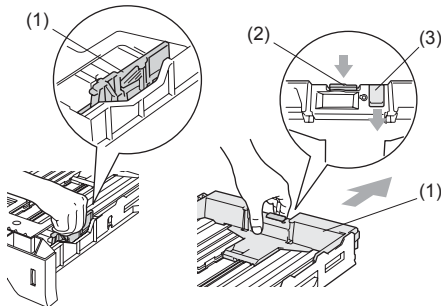
For printing on other types of media use the MP tray (Multi-purpose tray).

Loading paper

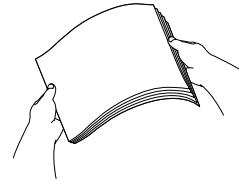
- 1 Unfold the output paper tray support flap.
- 2 Pull the paper tray completely out of the machine.



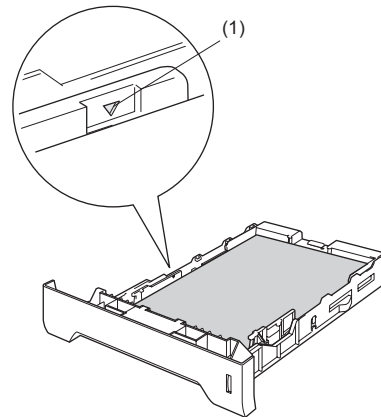
- 3 While pressing the blue paper-guide release lever (1), slide the paper guides to fit the paper size. Make sure that the guides are firmly in the slots. For legal size paper, press the lever (2) located at the back of the tray and pull out of the back of the open tray. Move the tray lock button (3) to the lock position.



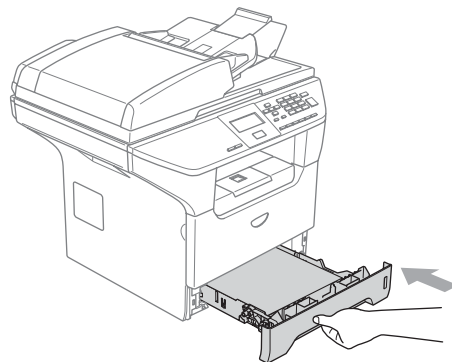
- 4 Fan the stack of paper well to avoid paper feeding problems.



- 5 Insert the paper into the paper tray with the top edge of the paper first and the print side down. Make sure that the paper is flat in the tray and below the maximum paper mark (1).



- 6 Push the paper tray firmly back into the machine.



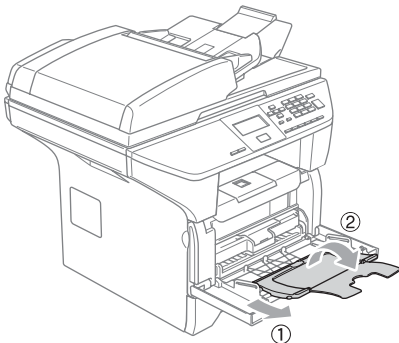
Loading envelopes and other media

Use the MP tray when printing envelopes, labels, and thick paper.

- 1 Open the MP tray and lower it gently.



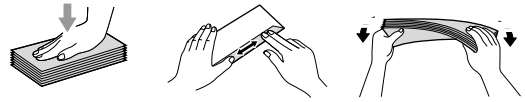
- 2 Pull out the MP tray support.



- 3 Insert the media into the MP tray with the top edge first and the printing side face up.

Loading Envelopes

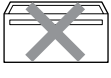
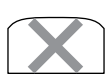
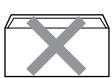

Before loading, press the corners and sides of the envelopes to make them as flat as possible.



! CAUTION

Do not use the following types of envelopes, as they will cause paper feed problems:

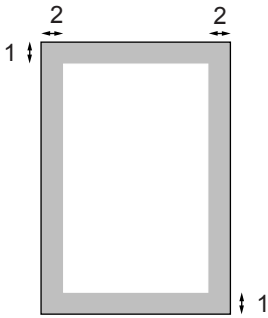
- That are of a baggy construction.
- That are embossed (have raised writing on them).
- That have clasps or staples.
- That are pre-printed on the inside.

Glue	Rounded flap	Double flap	Triangular flap
			

Printable Area

Printable Area for copies

The printable area of your machine begins at approximately 0.12 in. (3 mm) from the top and bottom and 0.09 in. (2.3 mm) from both sides of the paper.



- 1 0.12 in. (3 mm)
- 2 0.09 in. (2.3 mm)



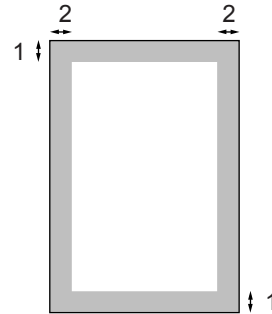
Note

This printable area shown above is for a single copy using Letter size paper. The printable area changes with the paper size.

Printable Area when printing from a computer

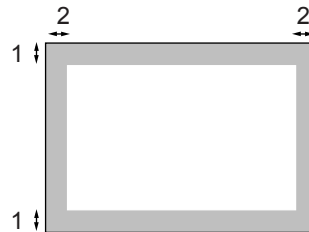
When using the default driver the printable area is smaller than the paper size, as shown below.

Portrait



- 1 0.16 in. (4.23 mm)
- 2 0.25 in. (6.35 mm)

Landscape



- 1 0.16 in. (4.23 mm)
- 2 0.2 in. (5.08 mm)



Note

The printable area shown above is for Letter size paper. The printable area changes with the paper size.

Paper settings

Paper Type

Set up the machine for the type of paper you are using. This will give you the best print quality.

- 1 Choose one of the options below:
 - To set the paper type for the MP Tray press **Menu, 1, 1, 1**.
 - To set the paper type for Tray#1 press **Menu, 1, 1, 2**.
 - To set the paper type for Tray#2 press **Menu, 1, 1, 3** if you installed the optional tray.

```

11.Paper Type
  1.MP Tray
  ▲ Plain
  ▼ Thick
  Select ▲▼ & OK
  
```

- 2 Press **▲** or **▼** to select Thin, Plain, Thick, Thicker, Transparency or Recycled Paper. Press **OK**.
- 3 Press **Stop/Exit**.



Note

- Transparency is not available for the optional Tray #2.
- You can choose Transparency only if A4, Letter, Legal or Folio size was chosen as the paper size.

Paper Size

You can use nine sizes of paper for printing copies: A4, Letter, Legal, Executive, A5, A6, B5, B6 and Folio (8"×13").

When you change the size of paper in the tray, you will also need to change the setting for paper size at the same time so your machine can fit the document on the page.

- 1 Choose one of the options below:
 - To set the paper size for the MP Tray press **Menu, 1, 2, 1**.
 - To set the paper size for Tray#1 press **Menu, 1, 2, 2**.
 - To set the paper size for Tray#2 press **Menu, 1, 2, 3** if you installed the optional tray.

```

12.Paper Size
  1.MP Tray
  ▲ Letter
  ▼ Legal
  Select ▲▼ & OK
  
```

- 2 Press **▲** or **▼** to select A4, Letter, Legal, Executive, A5, A6, B5, B6, Folio or Any. Press **OK**.
- 3 Press **Stop/Exit**.



Note

- Any (size) appears only when you select the MP tray (**Menu, 1, 2, 1**).
- If you select Any for the MP Tray Paper Size: You must choose MP Only for the Tray Use setting. You cannot use the Any Paper Size selection for the MP tray when making N in 1 copies. You must choose one of the other available Paper Size selections for the MP tray.
- A6 size is not available for the optional Tray #2.

Tray use in Copy mode

You can change the priority tray that the machine will use for printing copies.

When you select **Tray#1 Only**, **MP Only** or **Tray#2 Only**¹, the machine loads the paper only from that tray. If the selected tray is out of paper, **No Paper** will appear on the LCD. Insert the paper in the empty tray.

To change the tray setting follow the instructions below:

- 1 Press **Menu, 1, 5, 1**.

```
15.Tray Use
 1.Copy
▲  MP>T1
▼  T1>MP
Select ▲▼ & OK
```

- 2 Press **▲** or **▼** to select **Tray#1 Only**, **Tray#2 Only**¹, **MP Only**, **MP>T1>T2**¹ or **T1>T2**¹>**MP**. Press **OK**.

¹ **Tray#2 Only** or **T2** appears only if the optional tray is installed.

- 3 Press **Stop/Exit**.



Note

- When loading the documents from the ADF and **MP>T1>T2** or **T1>T2>MP** is selected, the machine looks for the tray with the most suitable paper and pulls paper from that tray. If no tray has suitable paper, the machine pulls paper from the higher priority tray.
- When using the scanner glass, your document is copied from the higher priority tray even if more suitable paper is in another paper tray.

Tray use in Print mode

You can change the default tray the machine will use for printing from your computer.

- 1 Press **Menu, 1, 5, 2**.

```
15.Tray Use
 2.Print
▲  MP>T1
▼  T1>MP
Select ▲▼ & OK
```

- 2 Press **▲** or **▼** to select **Tray#1 Only**, **Tray#2 Only**¹, **MP Only**, **MP>T1>T2**¹ or **T1>T2**¹>**MP**. Press **OK**.

¹ **Tray#2 Only** or **T2** appears only if the optional tray is installed.



Note

- The setting in the printer driver will take priority over the setting made on the control panel.
- If the control panel is set to **Tray#1 Only**, **Tray#2 Only**, **MP Only** or **MP>T1>T2** and you choose 'Auto Select' in the printer driver, the tray use will be **MP>T1>T2**. If the control panel is set to **T1>T2>MP** and you choose 'Auto Select' in the printer driver, the tray use will remain **T1>T2>MP**.

Volume Settings

Beeper volume

When the beeper is on, the machine will beep when you press a key and make a mistake. You can select a ring volume level from a range of settings, from *High* to *Off*.

- 1 Press **Menu**, **1**, **3**.

```

13.Beeper
▲ Low
  Med
▼ High
Select ▲▼ & OK
  
```

- 2 Press **▲** or **▼** to select *Off*, *Low*, *Med* or *High*. Press **OK**.
- 3 Press **Stop/Exit**.

Ecology features

Toner save

You can save toner using this feature. When you set toner save to *On*, print appears lighter. The default setting is *Off*.

- 1 Press **Menu**, **1**, **4**, **1**.

```

14.Ecology
  1.Toner Save
▲ On
▼ Off
Select ▲▼ & OK
  
```

- 2 Press **▲** or **▼** to choose *On* (or *Off*). Press **OK**.
- 3 Press **Stop/Exit**.



Note

We do not recommend Toner Save for printing Photo or Gray Scale images.

Sleep time

Setting the sleep time reduces power consumption by turning off the fuser while the machine is idle.

You can choose how long the machine must be idle (from 00 to 99 minutes) before it goes into sleep mode. When the machine receives computer data or makes a copy, the timer will be reset. The default setting is 05 minutes.

While the machine is in sleep mode the LCD will display *Sleep*. When printing or copying in sleep mode, there will be a short delay while the fuser warms up.

- 1 Press **Menu**, **1**, **4**, **2**.

```

14.Ecology
  2.Sleep Time

Sleep Time:05Min
Enter & OK Key
  
```

- 2 Enter the length of time the machine is idle before entering sleep mode (00 to 99). Press **OK**.
- 3 Press **Stop/Exit**.

To turn off sleep mode, press **Secure** and **Job Cancel** at the same time in ②. Press **▲** or **▼** to select *Off* (or *On*). Press **OK**.



Note

When you turn off sleep mode, the setting will take effect the next time the machine copies, prints or is turned off and on.

Turning off the scanner lamp

The scanner lamp stays on for 16 hours before automatically switching off to preserve the life of the lamp and reduce power consumption.

To turn the scanner lamp off manually press the ◀ and ▶ keys simultaneously. The scanner lamp will remain turned off until the next time you use the scanning feature.



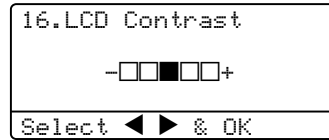
Note

Turning the lamp off regularly will reduce the lamp's life.

LCD Contrast

You can change the contrast to make the LCD look lighter or darker.

- 1 Press **Menu**, **1**, **6**.

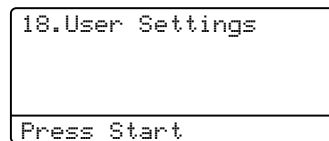


- 2 Press ▶ to make the LCD darker. O, press ◀ to make the LCD lighter. Press **OK**.
- 3 Press **Stop/Exit**.

User Settings List

You can print a list of the settings you programmed.

- 1 Press **Menu**, **1**, **8**.



- 2 Press **Start**.

Security

Secure Function Lock

Secure Function Lock lets you restrict Public access to certain operations (Copy, Scan and PCprint). This feature also prevents users from changing the Default settings of the machine by limiting access to the Menu settings.

Disabling at least one function is required to turn on Secure Function Lock for the Public user.

Access to restricted operations can be enabled by creating a restricted user. Restricted users must select the stored name and enter a password to use the machine.

Make a careful note of your password. If you forget it, please call Brother Customer Service.



Note

- You can set up to 25 individual users and one Public user.
- When you set up a Public user, you can restrict one or more of the machine's functions to all users who do not have a password.
- Only administrators can set limitations and make changes for each user.
- When PCprint is disabled, computer print jobs will be lost without notification.

Setting the password for the administrator

The password you set in these steps is for the administrator. This password is used to set up restricted users and to turn Secure Function Lock on or off. See *Setting up restricted users* on page 22 and *Turning Secure Function Lock on* on page 23.

- 1 Press **Menu**, **1**, **7**.

17.Function Lock
New Passwd:xxxx
Enter & OK Key

- 2 Enter a four-digit number for the password. Press **OK**.
- 3 Re-enter the password when the LCD shows *Verify:*. Press **OK**.
- 4 Press **Stop/Exit**.

Setting up the Public user

You can set up the Public user. Public users do not need to enter a password.



Note

You must disable at least one function.

- 1 Press **Menu, 1, 7**.

```
17.Function Lock
▲ Lock Off→On
  Set Password
▼ Setup User
Select ▲▼ & OK
```

- 2 Press ▲ or ▼ to select **Setup User**. Press **OK**.

- 3 Enter the administrator password. Press **OK**.

```
17.Function Lock
  Setup User
▲ Public
▼ User01
Select ▲▼ & OK
```

- 4 Press ▲ or ▼ to select **Public**. Press **OK**.
- 5 Press ▲ or ▼ to select **Enable** or **Disable** for **Copy**. Press **OK**. After you have set **Copy**, repeat this step for **Scan** and **PCprint**¹. Press **OK**.

¹ You can set **PCprint** for only the **Public** user.

- 6 Press **Stop/Exit**.

Setting up restricted users

You can set up users with restrictions and a password.

- 1 Press **Menu, 1, 7**.

```
17.Function Lock
▲ Lock Off→On
  Set Password
▼ Setup User
Select ▲▼ & OK
```

- 2 Press ▲ or ▼ to select **Setup User**. Press **OK**.

- 3 Enter the administrator password. Press **OK**.

```
17.Function Lock
  Setup User
▲ Public
▼ User01
Select ▲▼ & OK
```

- 4 Press ▲ or ▼ to select **User01**. Press **OK**.

- 5 Use the dial pad to enter the user name. (See *Entering Text* on page 89.) Press **OK**.

- 6 Enter a four-digit password for the user. Press **OK**.

- 7 Press ▲ or ▼ to select **Enable** or **Disable** for **Copy**. Press **OK**. After you have set **Copy**, repeat this step for **Scan**. Press **OK**.

- 8 Repeat 4 to 7 for entering each additional user and password.

- 9 Press **Stop/Exit**.

Turning Secure Function Lock on/off

If you enter the wrong password when following the instructions below, the LCD will show `Wrong Password`. Re-enter the correct password.

Turning Secure Function Lock on

- 1 Press **Menu, 1, 7**.

```
17.Function Lock
▲   Lock Off→On
    Set Password
▼   Setup User
-----
Select ▲▼ & OK
```

- 2 Press **▲** or **▼** to select `Lock Off→On`. Press **OK**.
- 3 Enter your four-digit administrator password. Press **OK**.

Turning Secure Function Lock off

- 1 Press **Menu, 1, 7**.

```
17.Function Lock
▲   Lock On→Off
    Set Password
▼   Setup User
-----
Select ▲▼ & OK
```

- 2 Press **▲** or **▼** to select `Lock On→Off`. Press **OK**.
- 3 Enter your four-digit administrator password. Press **OK**.

Switching Users

This setting allows a restricted user to log on the machine when Secure Function Lock is turned on.



Note

After a restricted user has finished using the machine, it will return to the Public setting in one minute.

- 1 Press **Menu, 1, 7**.

```
17.Function Lock
▲   Lock On→Off
▼   Change User
-----
Select ▲▼ & OK
```

- 2 Press **▲** or **▼** to select `Change User`. Press **OK**.
- 3 Press **▲** or **▼** select the registered name of the user to be logged on. Press **OK**.
- 4 Enter your four-digit password. Press **OK**.



Copy

Making copies

26

5

Making copies

How to copy

Making a single copy

- 1 Load your document.
- 2 Press **Start**.

Making multiple copies

- 1 Load your document.
- 2 Use the dial pad to enter the number of copies (up to 99).
- 3 Press **Start**.



Note

To sort your copies, press **Sort**. (See *Sorting copies using the ADF* on page 33.)

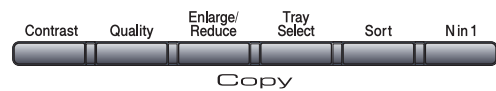
Stop copying

To stop copying, press **Stop/Exit**.

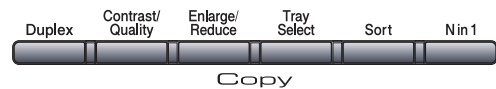
Copy options

When you want to quickly change the copy settings temporarily for the next copy, use the Copy keys. You can use different combinations.

(DCP-8060)



(DCP-8065DN)



The machine returns to its default settings one minute after copying.

Changing copy quality

You can select from a range of quality settings. The default setting is *Auto*.

■ Auto

Auto is the recommended mode for ordinary printouts. Suitable for documents that contain both text and photographs.

■ Text

Suitable for documents containing only text.

■ Photo

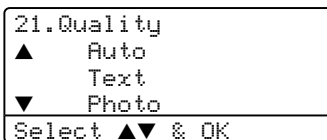
Suitable for copying photographs.

To *temporarily* change the quality setting, follow the steps below:

- 1 Load your document.
- 2 Use the dial pad to enter the number of copies (up to 99).
- 3 (DCP-8060)
Press **Quality**.
(DCP-8065DN)
Press **Contrast/Quality**.
Press ▲ or ▼ to choose *Quality*.
Press **OK**.
- 4 Press ◀ or ▶ to choose *Auto*, *Text* or *Photo*.
Press **OK**.
- 5 Press **Start**.

To change the *default* setting, follow the steps below:

- 1 Press **Menu, 2, 1**.

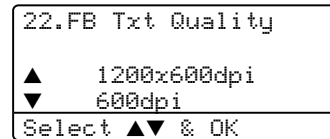


- 2 Press ▲ or ▼ to choose the copy quality. Press **OK**.
- 3 Press **Stop/Exit**.

Changing text copy resolution

You can change the text copy resolution to 1200x600dpi if you have selected *Text* from the **Quality** or **Contrast/Quality** options, and make a copy with 100% ratio using the scanner glass. To change the text copy resolution, follow the steps below:


- 1 Put your document on the scanner glass.
- 2 Press **Menu, 2, 2**.



- 3 Press ▲ or ▼ to choose the text copy resolution. Press **OK**.
- 4 Press **Stop/Exit**.

Enlarging or reducing the image copied

You can select the following enlargement or reduction ratios:

Press Enlarge/Reduce 	100%*
	104% EXE→LTR
	141% A5→A4
	200%
	Auto
	Custom (25-400%)
	50%
	70% A4→A5
	78% LGL→LTR
	83% LGL→A4
	85% LTR→EXE
	91% Full Page
	94% A4→LTR
	97% LTR→A4

Custom (25-400%) allows you to enter a ratio from 25% to 400%.

Auto sets the machine to calculate the reduction ratio that best fits the size of paper.

To enlarge or reduce the next copy follow the steps below:

- 1 Load your document.
- 2 Use the dial pad to enter the number of copies (up to 99).
- 3 Press **Enlarge/Reduce**.
- 4 Press **Enlarge/Reduce** or ►.

- 5 Choose one of the options below:
 - Press ▲ or ▼ to select the enlargement or reduction ratio you want. Press **OK**.
 - Press ▲ or ▼ to select *Custom* (25-400%). Press **OK**. Use the dial pad to enter an enlargement or reduction ratio from 25% to 400%. (For example, press **5 3** to enter 53%.) Press **OK**.

- 6 Press **Start**.



Note

- The Auto setting is available only when loading from the ADF.
- Page Layout Options 2 in 1(P), 2 in 1(L), 4 in 1(P), 4 in 1(L) or Poster are *not* available with Enlarge/Reduce. (P) means Portrait and (L) means Landscape.

Making N in 1 copies or a poster

You can reduce the number of pages for copies by using the N in 1 copy feature. This allows you to copy two or four pages onto one page, which lets you save paper.

You can also make a poster. When you use the poster feature your machine divides your document into sections, then enlarges the sections so you can assemble them into a poster. If you want to print a poster, use the scanner glass.

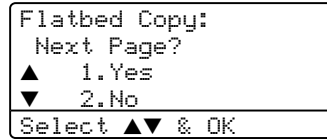
Important

- Please make sure the paper size is set to Letter, A4, Legal or Folio.
- (P) means Portrait and (L) means Landscape.
- You can not use the Enlarge/Reduce setting with the N in 1 and poster features.
- You can only make one poster copy at a time.

- 1 Load your document.
- 2 Use the dial pad to enter the number of copies (up to 99).
- 3 Press **N in 1**.
- 4 Press **▲** or **▼** to select 2 in 1 (P), 2 in 1 (L), 4 in 1 (P), 4 in 1 (L), Poster (3 x 3) or Off (1 in 1). Press **OK**.
- 5 Press **Start** to scan the page. If you are making a poster or placed the document in the ADF, the machine scans the pages and starts printing.

If you are using the scanner glass:

- 6 After the machine scans the page, press **1** to scan the next page.



- 7 Place the next page on the scanner glass. Press **OK**. Repeat 6 and 7 for each page of the layout.
- 8 After all the pages have been scanned, press **2** in 6 to finish.

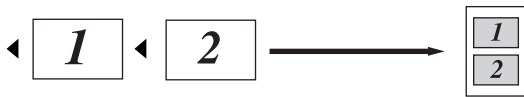
If you are copying from the ADF:

Insert your document face up in the direction shown below:

■ 2 in 1 (P)



■ 2 in 1 (L)



■ 4 in 1 (P)



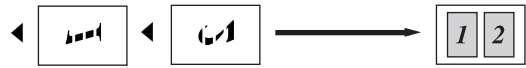
■ 4 in 1 (L)



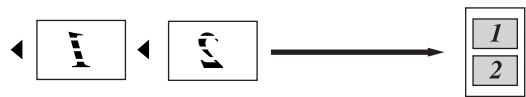
If you are copying from the scanner glass:

Insert your document face down in the direction shown below:

■ 2 in 1 (P)



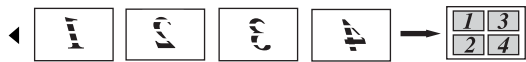
■ 2 in 1 (L)



■ 4 in 1 (P)

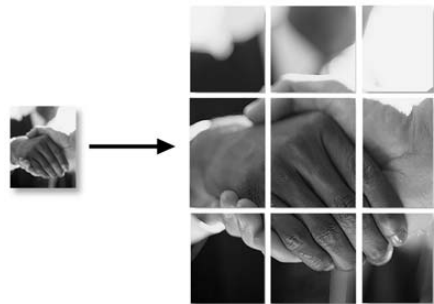


■ 4 in 1 (L)



■ **Poster (3x3)**

You can make a poster size copy of a photograph.



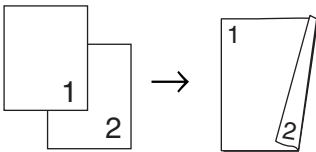
Duplex (2-sided) copying (DCP-8065DN only)

If you want to use the duplex copy feature, load your document in the ADF.

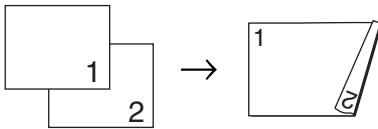
Duplex Copy

■ 1 sided → 2 sided

Portrait

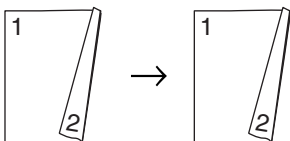


Landscape

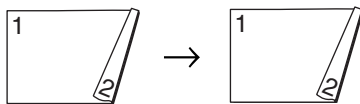


■ 2 sided → 2 sided

Portrait

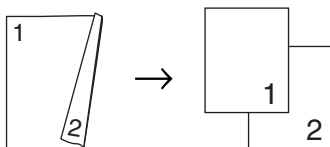


Landscape

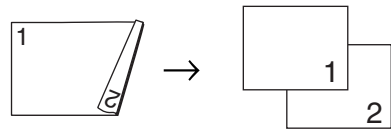


■ 2 sided → 1 sided

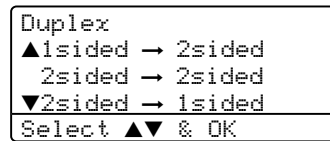
Portrait



Landscape



- 1 Load your document.
- 2 Use the dial pad to enter the number of copies (up to 99).
- 3 Press **Duplex** and **▲** or **▼** to select
1sided → 2sided,
2sided → 2sided or
2sided → 1sided.



Press **OK**.

- 4 Press **Start** to scan the document.

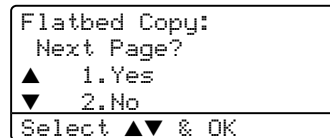


Note

Duplex copy using a 2-sided legal size document is not available from the ADF.

If you are using the scanner glass:

- 5 After the machine scans the page, press **1** to scan the next page.

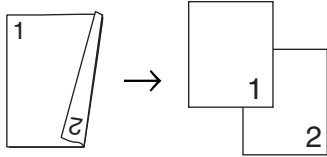


- 6 Place the next page on the scanner glass. Press **OK**. Repeat 5 and 6 for each page of the layout.
- 7 After all the pages have been scanned, press **2** in 5 to finish.

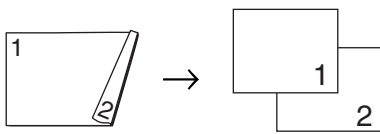
Advanced Duplex Copy

■ Advanced 2 sided → 1 sided

Portrait

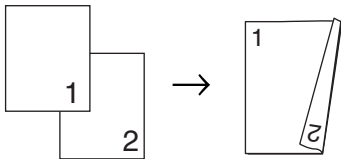


Landscape

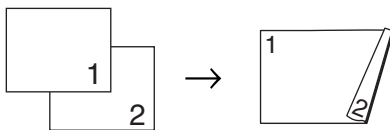


■ Advanced 1 sided → 2 sided

Portrait



Landscape



- 1 Load your document.
- 2 Use the dial pad to enter the number of copies (up to 99).

- 3 Press **Duplex** and **▲** or **▼** to select Advanced.

```
Duplex
▲1sided → 2sided
 2sided → 2sided
▼2sided → 1sided
Select ▲▼ & OK
```

Press **OK**.

- 4 Press **▲** or **▼** to select 2sided → 1sided or 1sided → 2sided. Press **OK**.

```
Duplex Advanced
▲2sided → 1sided
▼1sided → 2sided
Select ▲▼ & OK
```

- 5 Press **Start** to scan the document.



Note

Duplex copy using a 2-sided legal size document is not available from the ADF.

If you are using the scanner glass:

- 6 After the machine scans the page, press **1** to scan the next page.

```
Flatbed Copy:
Next Page?
▲ 1.Yes
▼ 2.No
Select ▲▼ & OK
```

- 7 Place the next page on the scanner glass. Press **OK**. Repeat 6 and 7 for each page of the layout.
- 8 After all the pages have been scanned, press **2** in 6 to finish.

Sorting copies using the ADF

You can sort multiple copies. Pages will be stacked in the order 1 2 3, 1 2 3, 1 2 3, and so on.

- 1 Load your document.
- 2 Use the dial pad to enter the number of copies (up to 99).
- 3 Press **Sort**.
- 4 Press **Start**.

Adjusting contrast

Contrast

Adjust the contrast to help an image look sharper and more vivid.

To *temporarily* change the contrast setting, follow the steps below:

- 1 Load your document.
- 2 Use the dial pad to enter the number of copies (up to 99).
- 3 (DCP-8060)
Press **Contrast**.

(DCP-8065DN)

Press **Contrast/Quality**.

Press **▲** or **▼** to choose **Contrast**.

Press **OK**.

```

Contrast:-□□■□□+ ▶
Quality :Auto
Enlg/Red:100%
Tray    :MP>T1
Select ◀ ▶ & OK
  
```

- 4 Press **◀** or **▶** to increase or decrease the contrast.
- 5 Press **Start**.

To change the *default* setting follow the steps below:

- 1 Press **Menu**, **2**, **3**.

```

23.Contrast
      -□□■□□+
Select ◀ ▶ & OK
  
```

- 2 Press **◀** or **▶** to change the contrast.
Press **OK**.
- 3 Press **Stop/Exit**.

Tray Select

You can change the tray use only for the next copy.

- 1 Load your document.
- 2 Use the dial pad to enter the number of copies (up to 99).
- 3 Press **Tray Select**.

```

Contrast: -□□■□□+
Quality :Auto
Enlg/Red:100%
Tray    :MP>T1 ▶
Select ◀ ▶ & OK
  
```

- 4 Press ◀ or ▶ to select the tray usage.
Press **OK**.
- 5 Press **Start**.

Press Tray Select	MP>T1 or M>T1>T2
	T1>MP or T1>T2>M
	#1 (XXX) *
	#2 (XXX) *
	MP (XXX) *

* XXX is the paper size you set in **Menu, 1, 2**.



Note

- T2 and Tray #2 appear only if the optional paper tray is installed.
- To change the Tray select setting, see *Tray use in Copy mode* on page 18.

Out of Memory message

If the memory becomes full while you are making copies, the LCD message will guide you through the next step.

If you get an **Out of Memory** message while scanning a subsequent page, you will have the option to press **Start** to copy the pages scanned so far, or to press **Stop/Exit** to cancel the operation.

If you run out of memory, you can add it. See *Memory Board* on page 49.



Software

Software and Network features

36

The User's Guide on the CD-ROM includes the Software User's Guide and Network User's Guide for features available when connected to a computer (for example, Printing and Scanning).

■ Printing

(For Windows[®], see *Chapter 1 in the Software User's Guide on the CD-ROM.*)

(For Macintosh[®], see *Chapter 7 in the Software User's Guide on the CD-ROM.*)

■ Scanning

(For Windows[®], see *Chapter 2 in the Software User's Guide on the CD-ROM.*)

(For Macintosh[®], see *Chapter 8 in the Software User's Guide on the CD-ROM.*)

■ ControlCenter2

(For Windows[®], see *Chapter 3 in the Software User's Guide on the CD-ROM.*)

(For Macintosh[®], see *Chapter 9 in the Software User's Guide on the CD-ROM.*)

■ Network Printing (DCP-8065DN only)

(See *the Network User's Guide on the CD-ROM.*)

■ Network Scanning (DCP-8065DN only)

(For Windows[®], see *Chapter 4 in the Software User's Guide on the CD-ROM.*)

(For Macintosh[®], see *Chapter 10 in the Software User's Guide on the CD-ROM.*)



Note

See *Accessing the complete User's Guide* on page 3



Appendixes

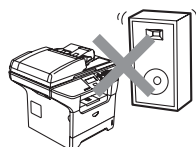
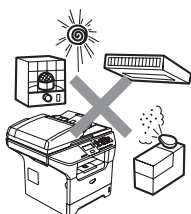
Safety and Legal	38
Options	48
Troubleshooting and routine maintenance	51
Menu and Features	81
Specifications	91
Glossary	99

A

Safety and Legal

Choosing a location

Place your machine on a flat, stable surface that is free of vibration and shocks. Put the machine near a standard, grounded AC power outlet. Choose a location where the temperature remains between 50°F and 90.5°F (10°C and 32.5°C) and the humidity is between 20% to 80% (without condensation).



! CAUTION

Avoid placing your machine in a high-traffic area.

Do not place the machine near heaters, air conditioners, refrigerators, water, chemicals or devices that contain magnets or generate magnetic fields.

Do not expose the machine to direct sunlight, excessive heat, open flames, salty or corrosive gasses, moisture, or dust.

Do not connect your machine to an AC power outlet controlled by wall switches or automatic timers.

Disruption of power can wipe out information in the machine's memory.

Do not connect your machine to an AC power outlet on the same circuit as large appliances or other equipment that might disrupt the power supply.

Avoid interference sources, such as speakers or the base units of cordless phones.

Do not put objects on top of the machine.

DO NOT use flammable substances near the machine.
Doing this might cause a fire or electrical shock.

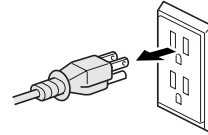
To use the machine safely

Please keep these instructions for later reference and read them before attempting any maintenance.

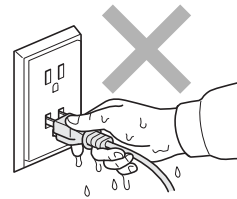
WARNING



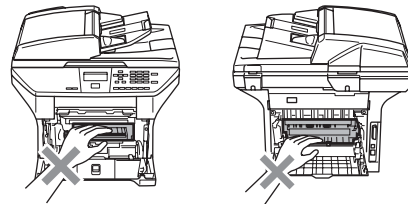
There are high voltage electrodes inside the machine. Before you clean the inside of the machine, make sure you have unplugged the power cord from the AC power outlet.



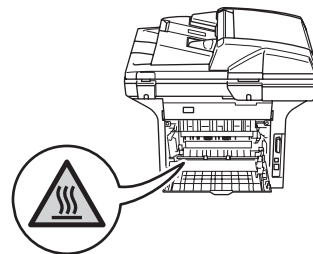
Do not handle the plug with wet hands. Doing this might cause an electrical shock.



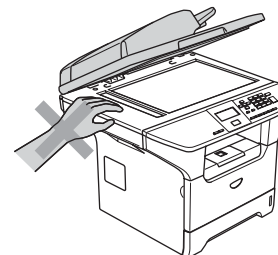
After you have just used the machine, some internal parts of the machine will be extremely hot. When you open the front or back cover of the machine, DO NOT touch the shaded parts shown in the illustration.



The fuser unit is marked with a caution label. Please do not remove or damage the label.

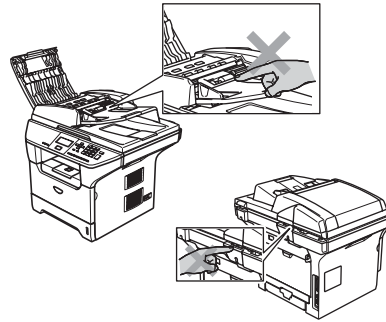


To prevent injuries, be careful not to put your hands on the edge of the machine under the document cover.



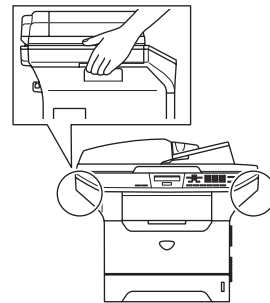


To prevent injuries, be careful not to put your fingers in the area shown in the illustrations.




DO NOT use a vacuum cleaner to clean up scattered toner. Doing this might cause the toner dust to ignite inside the vacuum cleaner, potentially starting a fire. Please carefully clean the toner dust with a dry, lint-free cloth and dispose of it according to local regulations.

When you move the machine, grasp the side hand holds that are under the scanner. DO NOT carry the machine by holding it at the bottom.



This product must be installed near an AC power outlet that is easily accessible. In case of an emergency, you must disconnect the power cord from the AC power outlet to shut off the power completely.

To reduce the risk of shock or fire, use only a No. 26 AWG or larger telecommunication line cord.

 **CAUTION**

Lightning and power surges can damage this product! We recommend that you use a quality surge protection device on the AC power line or unplug the cord during a lightning storm.

 **WARNING**

IMPORTANT SAFETY INSTRUCTIONS

When using your equipment, basic safety precautions should always be followed to reduce the risk of fire, electric shock and injury to people, including the following:

- 1 Do not use this product near water, for example, near a bath tub, wash bowl, kitchen sink, washing machine, or in a wet basement or near a swimming pool.
- 2 Avoid using this product during an electrical storm. There may be a remote risk of electric shock from lightning.
- 3 Do not use this product to report a gas leak in the vicinity of the leak.
- 4 Use only the power cord provided with the machine.

SAVE THESE INSTRUCTIONS

Important Information

Federal Communications Commission (FCC) Declaration of Conformity (USA only)

Responsible Party: Brother International Corporation
100 Somerset Corporate Boulevard
Bridgewater, NJ 08807–0911 USA
TEL: (908) 704–1700

declares, that the products

Product Name: DCP-8060, DCP-8065DN

comply with Part 15 of the FCC Rules. Operation is subject to the following two conditions: (1) This device may not cause harmful interference, and (2) this device must accept any interference received, including interference that may cause undesired operation.

This equipment has been tested and found to comply with the limits for a Class B digital device, pursuant to Part 15 of the FCC Rules. These limits are designed to provide reasonable protection against harmful interference in a residential installation. This equipment generates, uses, and can radiate radio frequency energy and, if not installed and used in accordance with the instructions, may cause harmful interference to radio communications. However, there is no guarantee that interference will not occur in a particular installation. If this equipment does cause harmful interference to radio or television reception, which can be determined by turning the equipment off and on, the user is encouraged to try to correct the interference by one or more of the following measures:

- Reorient or relocate the receiving antenna.
- Increase the separation between the equipment and receiver.
- Connect the equipment into an outlet on a circuit different from that to which the receiver is connected.
- Call the dealer or an experienced radio/TV technician for help.

Important

Changes or modifications not expressly approved by Brother Industries, Ltd. could void the user's authority to operate the equipment.

Important — about the interface cable

A shielded interface cable should be used to ensure compliance with the limits for a Class B digital device.

Industry Canada Compliance Statement (Canada only)

This Class B digital apparatus complies with Canadian ICES-003.

Cet appareil numérique de la classe B est conforme à la norme NMB-003 du Canada.

Disconnect device

This product must be installed near an electrical jack that is easily accessible. In case of emergencies, you must disconnect the power cord from the electrical jack to shut off power completely.

LAN connection

CAUTION

Do not connect this product to a LAN connection that is subject to over-voltages.

International ENERGY STAR® Compliance Statement

The purpose of the International ENERGY STAR® Program is to promote the development and popularization of energy-efficient office equipment.

As an ENERGY STAR® Partner, Brother Industries, Ltd. has determined that this product meets the ENERGY STAR® guidelines for energy efficiency.



Laser safety

This equipment is certified as a Class 1 laser product under the U.S. Department of Health and Human Services (DHHS) Radiation Performance Standard according to the Radiation Control for Health and Safety Act of 1968. This means that the equipment does not produce hazardous laser radiation.

Since radiation emitted inside the equipment is completely confined within protective housings and external covers, the laser beam cannot escape from the machine during any phase of user operation.

FDA regulations

U.S. Food and Drug Administration (FDA) has implemented regulations for laser products manufactured on and after August 2, 1976. Compliance is mandatory for products marketed in the United States. The following label on the back of the machine indicates compliance with the FDA regulations and must be attached to laser products marketed in the United States.

Manufactured:

BROTHER CORP. (ASIA) LTD.

BROTHER BUJI NAN LING FACTORY

Gold Garden Industry, Nan Ling Village, Buji, Rong Gang, Shenzhen, China.

This product complies with FDA performance standards for laser products except for deviations pursuant to Laser Notice No. 50, dated July 26, 2001.



WARNING

Use of controls, adjustments or performance of procedures other than those specified in this manual may result in hazardous invisible radiation exposure.

Internal laser radiation

Max. Radiation Power 5 mW

Wave Length 770 – 810 nm

Laser Class Class 3B

Important safety instructions

- 1 Read all of these instructions.
- 2 Save them for later reference.
- 3 Follow all warnings and instructions marked on the product.
- 4 Unplug this product from the wall outlet before cleaning inside of the machine. Do not use liquid or aerosol cleaners. Use a damp cloth for cleaning.
- 5 Do not place this product on an unstable cart, stand, or table. The product may fall, causing serious damage to the product.
- 6 Slots and openings in the cabinet at the back or bottom are provided for ventilation. To ensure reliable operation of the product and to protect it from overheating, these openings must not be blocked or covered. The openings should never be blocked by placing the product on a bed, sofa, rug, or other similar surface. This product should never be placed near or over a radiator or heater. This product should never be placed in a built-in installation unless proper ventilation is provided.
- 7 This product should be connected to an AC power source within the range indicated on the rating label. Do NOT connect it to a DC power source. If you are not sure, contact a qualified electrician.
- 8 This product is equipped with a 3-wire grounded plug. This plug will only fit into a grounded power outlet. This is a safety feature. If you are unable to insert the plug into the outlet, call your electrician to replace your obsolete outlet. Do not defeat the purpose of the grounded plug.
- 9 Use only the power cord supplied with this machine.
- 10 Do not allow anything to rest on the power cord. Do not place this product where people can walk on the cord.
- 11 If an extension cord is used with this product, make sure that the total ampere ratings on the products plugged into the extension cord do not exceed the extension cord ampere rating. Also, make sure that the total of all products plugged into the AC power outlet does not exceed 15 amperes (US only).
- 12 Do not place anything in front of the machine that will block printed pages.
- 13 Wait until pages have exited the machine before picking them up.
- 14 Never push objects of any kind into this product through cabinet slots, since they may touch dangerous voltage points or short out parts resulting in the risk of fire or electric shock. Never spill liquid of any kind on the product. Do not attempt to service this product yourself because opening or removing covers may expose you to dangerous voltage points and other risks and may void your warranty. Refer all servicing to a Brother Authorized Service Center. For the location of your nearest Brother Authorized Service Center, please call
In USA: 1-800-284-4357
In Canada: 1-877-BROTHER.
(See *Brother numbers* on page i.)

15 Unplug this product from the AC power outlet and refer all servicing to Brother Authorized Service Personnel under the following conditions:

- When the power cord is damaged or frayed.
- If liquid has been spilled into the product.
- If the product has been exposed to rain or water.
- If the product does not operate normally when the operating instructions are followed. Adjust only those controls that are covered by the operating instructions. Improper adjustment of other controls may result in damage and will often require extensive work by a qualified technician to restore the product to normal operation.
- If the product has been dropped or the cabinet has been damaged.
- If the product exhibits a distinct change in performance, indicating a need for service.

16 To protect your product against power surges, we recommend the use of a power protection device (Surge Protector).

17 To reduce the risk of fire, electric shock and injury to people, note the following:

- Do not use this product near appliances that use water, a swimming pool or in a wet basement.
- Do not use the machine during an electrical storm (there is the remote possibility of an electrical shock).

Trademarks

The Brother logo is a registered trademark of Brother Industries, Ltd.

Brother is a registered trademark of Brother Industries, Ltd.

Multi-Function Link is a registered trademark of Brother International Corporation.

Windows and Microsoft are registered trademarks of Microsoft in the U.S. and other countries.

Macintosh and TrueType are registered trademarks of Apple Computer, Inc.

PaperPort is a registered trademark of ScanSoft, Inc.

Presto! PageManager is a registered trademark of NewSoft Technology Corporation.

BROADCOM, SecureEasySetup and the SecureEasySetup logo are trademarks or registered trademarks of Broadcom Corporation in the United States and/or other countries.

Java and all Java-based trademarks and logos are trademarks or registered trademarks of Sun Microsystems, Inc. in the United States and other countries.

Each company whose software title is mentioned in this manual has a Software License Agreement specific to its proprietary programs.

All other brand and product names mentioned in this User's Guide, the Software User's Guide, and the Network User's Guide are registered trademarks of their respective companies.

B

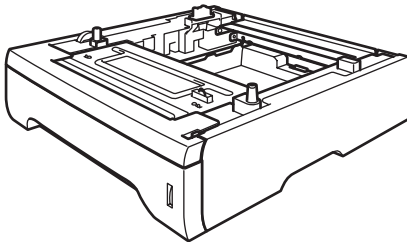
Options

Options

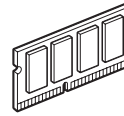
This machine has the following optional accessories. You can increase the capabilities of the machine with these items.

Lower tray unit

LT-5300



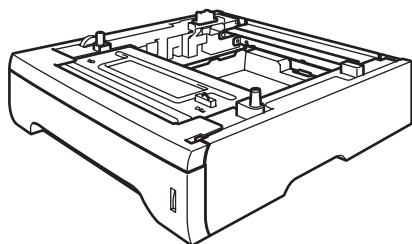
DIMM memory



Optional Paper Tray (LT-5300)

An optional lower tray can be installed, and it can hold up to 250 sheets of 20 lb (80 g/m²) paper.

When an optional tray is installed, the machine can hold up to 550 sheets of plain paper.



For setup, see the User's Guide that we have supplied with the lower tray unit.

Memory Board

This machine has 32 MB of standard memory and one slot for optional memory expansion. You can expand the memory up to 544 MB by installing dual in-line memory modules (DIMMs). When you add the optional memory, it increases the performance for both copier and printer operations.

DIMM types

You can install the following DIMM:

- 128 MB Buffalo Technology VN133-D128 / VN133-X128
- 256 MB Buffalo Technology VN133-D256
- 512 MB Buffalo Technology VN133-D512
- 64 MB TechWorks 12165-0004
- 128 MB TechWorks 12462-0001
- 256 MB TechWorks 12485-0001
- 512 MB TechWorks 12475-0001



Note

- For more information, visit the Buffalo Technology site at <http://www.buffalotech.com>.
- For more information, visit the Techworks web site at <http://www.techworks.com>.

In general, the DIMM must have the following specifications:

Type: 144 pin and 64 bit output

CAS latency: 2

Clock frequency: 100 MHz or more

Capacity: 64, 128, 256 or 512 MB

Height: 1.25 in. (31.75 mm)

Dram Type: SDRAM 2 Bank

SDRAM can be used.



Note

- There might be some DIMMs that will not work with the machine.
- For more information, call Brother Customer Service.

Installing extra memory

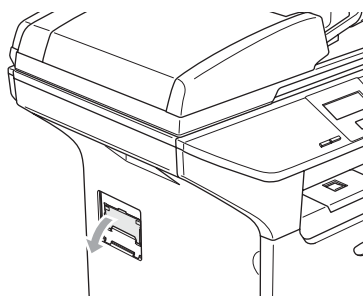
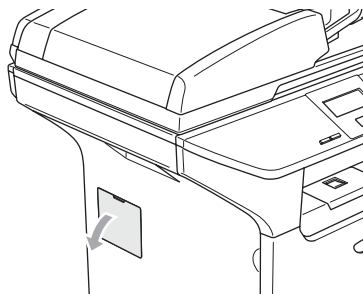
- 1 Turn off the machine's power switch.
- 2 Disconnect the interface cable from the machine, and then unplug the power cord from the AC power outlet.



Note

Be sure to turn off the machine's power switch before you install or remove the DIMM.

- 3 Remove the DIMM cover and interface access cover.



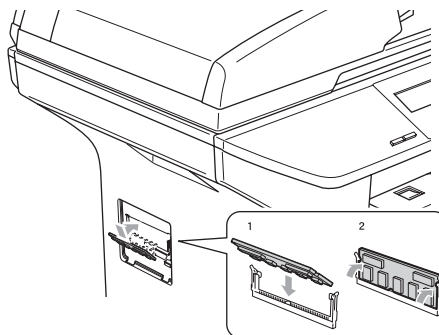
- 4 Unpack the DIMM and hold it by its edges.



CAUTION

To prevent damage to the machine from static electricity, DO NOT touch the memory chips or the board surface.

- 5 Hold the DIMM by the edges and align the notches in the DIMM with the protrusions in the slot. Insert the DIMM diagonally (1), then tilt it toward the interface board until it clicks into place (2).



- 6 Put the interface access cover and the DIMM cover back on.
- 7 Plug the machine's power cord back into the AC power outlet first, and then connect the interface cable.
- 8 Turn on the machine's power switch.

C

Troubleshooting and routine maintenance

Troubleshooting

IMPORTANT

For technical help, you must call the country where you bought the machine. Calls must be made **from within** that country.

If you are having difficulty with your machine

If you think there is a problem with the way your faxes look, make a copy first. If the copy looks good, the problem is probably not your machine. Check the chart below and follow the troubleshooting tips. You can solve most problems by yourself.

If you need additional help, the Brother Solutions Center offers the latest FAQs and troubleshooting tips.

Visit us at <http://solutions.brother.com>.

Copy Quality Difficulties

Difficulties	Suggestions
Vertical streaks appear in copies.	Either the scanner or the primary corona wire for printing is dirty. Clean them both. (See <i>Cleaning the scanner glass</i> on page 69 and <i>Cleaning the corona wire</i> on page 71.)

Printing Difficulties

Difficulties	Suggestions
Poor print quality	See <i>Improving the print quality</i> on page 55.
Vertical black lines on copies or printouts	Your machine's primary corona wire for printing may be dirty. Clean your primary corona wire. (See <i>Cleaning the corona wire</i> on page 71.) If the problem continues, call Brother Customer Service at 1-800-284-4329 (in USA) or 1-877-BROTHER (in Canada).
No printout.	<ul style="list-style-type: none"> ■ Check that the machine is plugged in and the power switch is turned on. ■ Check that the toner cartridge and drum unit are installed properly. (See <i>Replacing the drum unit (DR-520)</i> on page 76.) ■ Check the interface cable connection on both the machine and your computer. (See <i>the Quick Setup Guide</i>.) ■ Check that the correct printer driver has been installed and chosen. ■ Check to see if the LCD is showing an error message. (See <i>Error messages</i> on page 59.) ■ The machine is online. On your PC, click Start, then Settings, and then Printers and Faxes. Right-click 'Brother DCP-XXXX (where XXXX is your model name)'. Make sure that 'Use Printer Offline' is unchecked.

Printing Difficulties (Continued)

Difficulties	Suggestions
The machine prints unexpectedly or it prints garbage.	<ul style="list-style-type: none"> ■ Turn off the machine's power switch and then turn it on again. If the error message continues leave the machine for several minutes and then try it again. ■ Check the settings in your application to make sure it is set up to work with your machine. ■ If you are using the parallel port connection, check that the port is BRMFC and not LPT1.
The machine prints the first couple of pages correctly, then some pages have text missing.	<ul style="list-style-type: none"> ■ Check the settings in your application to make sure that it is set up to work with your machine. ■ Your computer is not recognizing the machine's input buffer's full signal. Make sure that you connected the interface cable correctly. (See <i>the Quick Setup Guide</i>.)
The machine cannot print full pages of a document. Out of Memory message appears.	<ul style="list-style-type: none"> ■ Reduce the printing resolution. (See <i>Advanced tab in the Software User's Guide on the CD-ROM</i>.) ■ Reduce the complexity of your document and try again. Reduce the graphic quality or the number of font sizes within your application. ■ Add more memory. See <i>Installing extra memory</i> on page 50.
The headers or footers appear when the document displays on the screen but they do not show up when it is printed.	There is an unprintable area on the top and bottom of the page. Adjust the top and bottom margins in your document to allow for this.
The machine does not print on both sides of the paper even though the printer driver setting is Duplex. (DCP-8065DN only)	Check the paper size setting in the printer driver. You need to select either A4, Letter, Legal or Folio.
The machine is not printing or has stopped printing and the machine's status LED is yellow.	Press Job Cancel . As the machine cancels the job and clears it from the memory it may produce an incomplete printout. Try to print again.

Scanning Difficulties

Difficulties	Suggestions
TWAIN errors appear while scanning.	Make sure that the Brother TWAIN driver is chosen as the primary source. In PaperPort®, click File, Scan and choose the Brother TWAIN driver .

Software Difficulties

Difficulties	Suggestions
Cannot install software or print.	Run the Repair MFL-Pro Suite program on the CD-ROM. This program will repair and reinstall the software.
Cannot perform '2 in 1' or '4 in 1' printing.	Check that the paper size setting in the application and in the printer driver are the same.
The machine does not print from Adobe Illustrator.	Try to reduce the print resolution. (See <i>Advanced tab in the Software User's Guide on the CD-ROM</i> .)
When using ATM fonts, some characters are missing or wrong characters are printed in their place.	If you are using Windows® 98/98SE/Me, click Start, Settings , and then Printers . Right-click Brother DCP-XXXX (where XXXX is your model name) and click Properties . Click Spool Setting on the Details tab. Choose RAW from Spool Data Format .

Software Difficulties (Continued)

Difficulties	Suggestions
'Unable to write to LPT1', 'LPT1 already in use' or 'MFC is Busy' error message appears.	Make sure that the machine is on (plugged into the AC power outlet and the power switch turned on) and that it is connected directly to the computer using the IEEE-1284 bi-directional parallel cable. The cable must not go through another peripheral device (such as a Zip Drive, External CD-ROM Drive, or Switch box).
	Make sure that the LCD does not show an error message.
	Make sure no other device drivers, which also communicate through the parallel port, are running automatically when you turn on the computer (such as, drivers for Zip Drives, External CD-ROM Drive, etc.) Suggested areas to check: (Load=, Run=command lines in the win.ini file or the Setup Group)
	Check with your computer manufacturer to confirm that the computer's parallel port settings in the BIOS are set to support a bi-directional machine; i.e. (Parallel Port Mode – ECP)

Paper Handling Difficulties

Difficulties	Suggestions
The machine does not load paper. The LCD shows No Paper or a Paper Jam message.	<ul style="list-style-type: none"> ■ If there is no paper, load a new stack of paper into the paper tray. ■ If there is paper in the paper tray, make sure it is straight. If the paper is curled, you should straighten it. Sometimes it is helpful to remove the paper, turn the stack over and put it back into the paper tray. ■ Reduce the amount of paper in the paper tray, and then try again. ■ Check that the MP tray mode is not chosen in the printer driver. ■ If the LCD shows Paper Jam message and you still have a problem, see <i>Paper jams</i> on page 63.
The machine does not feed paper from the MP tray.	<ul style="list-style-type: none"> ■ Fan the paper well and put it back in the tray firmly. ■ Make sure that MP tray mode is chosen in the printer driver.
Need to know how to load envelopes.	You can load envelopes from the MP tray. Your application must be set up to print the envelope size you are using. This is usually done in the Page Setup or Document Setup menu of your application. See your application's manual for more information.
Need to know which paper is good to use.	You can use plain paper, recycled paper, envelopes, transparencies and labels that are made for laser machines. (For details, see <i>Acceptable paper and other media</i> on page 11.)
There is a paper jam.	See <i>Paper jams</i> on page 63.

Print Quality Difficulties

Difficulties	Suggestions
Printed pages are curled.	<ul style="list-style-type: none"> ■ Low quality thin or thick paper or not printing on the recommended side of paper could cause this problem. Try turning over the stack of paper in the paper tray. ■ Make sure that you choose the Paper Type that suits the media type you are using. (See <i>Acceptable paper and other media</i> on page 11.)
Printed pages are smeared.	The Paper Type setting may be incorrect for the type of print media you are using, or the print media may be too thick or have a rough surface. (See <i>Acceptable paper and other media</i> on page 11 and <i>Basic tab in the Software User's Guide on the CD-ROM</i> .)



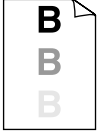

Print Quality Difficulties (Continued)



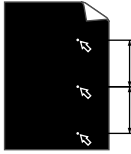
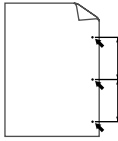

Difficulties	Suggestions
Printouts are too light.	<ul style="list-style-type: none"> ■ If this problem occurs when making copies turn Toner Save mode to off in the machine menu setting. (See <i>Toner save</i> on page 19.) ■ Set Toner Save mode to off in the Advanced tab in the printer driver. (See <i>Advanced tab in the Software User's Guide on the CD-ROM.</i>)






Network Difficulties (DCP-8065DN only)


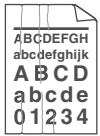
Difficulties	Suggestions
Cannot print over a wired Network.	<ul style="list-style-type: none"> ■ Make sure your machine is powered on and is on-line and in Ready mode. Print the Network Configuration list to see your current Network settings. Reconnect the LAN cable to the hub to verify that the cable and network connections are good. If possible, try connecting the machine to a different port on your hub using a different cable. If the connections are good, the upper LED of the back panel of the machine will be green. ■ If you are using a wireless connection or are having Network problems see the Network User's Guide on the CD-ROM for more information.
The network scanning feature does not work.	<p>(For Windows® only) The firewall setting on your PC may be rejecting the necessary network connection. Follow the steps below to configure the firewall. If you are using any other than the firewalls mentioned below, see the instructions for that software or contact the software manufacturer.</p> <p><Windows® XP SP2></p> <ol style="list-style-type: none"> 1. Click the Start button, 'Settings', 'Control Panel' and then 'Windows Firewall'. Make sure that Windows Firewall on the 'Basic' tab is set to on. 2. Click the 'Exceptions' tab and 'Add port' button. 3. Enter any name, port number (54295 for network scanning), select 'UPD' and click 'OK'. 4. Make sure that the new setting is added and is checked, and then click 'OK'. <p>For Windows® XP SP1, please visit the Brother Solutions Center.</p>
Your computer cannot find your machine.	<p><For Windows® users></p> <p>The firewall setting on your PC may be rejecting the necessary network connection. For details, see the instruction above.</p> <p><For Macintosh® users></p> <p>Re-select your machine in the DeviceSelector application located in Macintosh HD/Library/Printers/Brother/Utilities or from the Model pop-up menu of ControlCenter2.</p>

Improving the print quality

Examples of poor print quality	Recommendation
 <p>Faint</p>	<ul style="list-style-type: none"> ■ Check the machine's environment. Conditions such as humidity, high temperatures, and so on, may cause this print fault. (See <i>Choosing a location</i> on page 38.) ■ If the whole page is too light, Toner Save mode may be on. Turn off Toner Save mode in the machine's menu settings or in the printer Properties of the driver. (See <i>Toner save</i> on page 19 or <i>Advanced tab in the Software User's Guide on the CD-ROM.</i>) <p>If this problem occurs when making copies, turn off Toner Save mode in the machine's menu setting. (See <i>Toner save</i> on page 19.)</p> <ul style="list-style-type: none"> ■ Clean the scanner window and the primary corona wire of the drum unit. (See <i>Cleaning the laser scanner window</i> on page 70 and <i>Cleaning the corona wire</i> on page 71.) If the print quality has not improved, put in a new drum unit. (See <i>Replacing the drum unit (DR-520)</i> on page 76.) ■ Put in a new toner cartridge. (See <i>Replacing the toner cartridge (TN-550/TN-580)</i> on page 73.)
 <p>Gray background</p>	<ul style="list-style-type: none"> ■ Make sure that you use paper that meets our specifications. (See <i>Acceptable paper and other media</i> on page 11.) ■ Check the machine's environment. Conditions such as high temperatures and high humidity can increase the amount of background shading. (See <i>Choosing a location</i> on page 38.) <p>Install a new toner cartridge. (See <i>Replacing the toner cartridge (TN-550/TN-580)</i> on page 73.)</p> <ul style="list-style-type: none"> ■ Clean the primary corona wire and the drum unit. (See <i>Cleaning the corona wire</i> on page 71 and <i>Cleaning the drum unit</i> on page 72.) If the print quality has not improved, put in a new drum unit. (See <i>Replacing the drum unit (DR-520)</i> on page 76.)
 <p>Ghost</p>	<ul style="list-style-type: none"> ■ Make sure that you use paper that meets our specifications. Rough-surfaced paper or thick paper may cause this problem. ■ Make sure that you choose the proper media type in the printer driver or in the machine's Paper Type menu setting. (See <i>Acceptable paper and other media</i> on page 11 and <i>Basic tab in the Software User's Guide on the CD-ROM.</i>) <ul style="list-style-type: none"> ■ Put in a new drum unit. (See <i>Replacing the drum unit (DR-520)</i> on page 76.)
 <p>Toner specks</p>	<ul style="list-style-type: none"> ■ Make sure that you use paper that meets our specifications. Rough-surfaced paper may cause the problem. (See <i>Acceptable paper and other media</i> on page 11.) ■ Clean the primary corona wire and the drum unit. (See <i>Cleaning the corona wire</i> on page 71 and <i>Cleaning the drum unit</i> on page 72.) If the print quality has not improved, put in a new drum unit. (See <i>Replacing the drum unit (DR-520)</i> on page 76.)

Examples of poor print quality	Recommendation
 <p data-bbox="208 481 349 508">Hollow print</p>	<ul style="list-style-type: none"> ■ Make sure that you use paper that meets our specifications. (See <i>Acceptable paper and other media</i> on page 11.) ■ Choose Thick paper mode in the printer driver or in the machine's Paper Type menu setting, or use thinner paper than you are currently using. (See <i>Paper Type</i> on page 17 and <i>Basic tab in the Software User's Guide on the CD-ROM.</i>) ■ Check the machine's environment. Conditions such as high humidity can cause hollow print. (See <i>Choosing a location</i> on page 38.) ■ Clean the primary corona wire on the drum unit. (See <i>Cleaning the corona wire</i> on page 71.) If the print quality has not improved, put in a new drum unit. (See <i>Replacing the drum unit (DR-520)</i> on page 76.)
 <p data-bbox="227 834 330 861">All black</p>	<ul style="list-style-type: none"> ■ Clean the primary corona wire on the drum unit. (See <i>Cleaning the corona wire</i> on page 71.) If the print quality has not improved, put in a new drum unit. (See <i>Replacing the drum unit (DR-520)</i> on page 76.) ■ The drum unit may be damaged. Put in a new drum unit. (See <i>Replacing the drum unit (DR-520)</i> on page 76.)
 <p data-bbox="131 1085 426 1170">White Spots on black text and graphics at 3.7 in. (94 mm) intervals</p>  <p data-bbox="113 1381 444 1435">Black Spots at 3.7 in. (94 mm) intervals</p>	<p>Dust, paper powder, glue, and so on may stick to the surface of the photosensitive drum (OPC) and cause black or white spots to appear on printed documents.</p> <p>Make a few copies of a blank, white sheet of paper.</p> <p>If you still see the spots on printed documents after making multiple copies, clean the drum unit (see <i>Cleaning the drum unit</i> on page 72).</p> <p>If the print quality still has not improved you need to install a new drum. (See <i>Replacing the drum unit (DR-520)</i> on page 76.)</p>
 <p data-bbox="113 1644 440 1700">Black toner marks across the page</p>	<ul style="list-style-type: none"> ■ Make sure that you use paper that meets our specifications. (See <i>Acceptable paper and other media</i> on page 11.) ■ If you use label sheets for laser printers, the glue from the sheets may sometimes stick to the OPC drum surface. Clean the drum unit. (See <i>Cleaning the drum unit</i> on page 72.) ■ Do not use paper that has clips or staples because they will scratch the surface of the drum. ■ If the unpacked drum unit is in direct sunlight or room light, the unit may be damaged. ■ The drum unit may be damaged. Put in a new drum unit. (See <i>Replacing the drum unit (DR-520)</i> on page 76.)

Examples of poor print quality	Recommendation
 <p>White lines across the page</p>	<ul style="list-style-type: none"> ■ Make sure that you use paper that meets our specifications. A rough surfaced paper or thick print media can cause the problem. (See <i>Acceptable paper and other media</i> on page 11.) ■ Make sure that you choose the proper media type in the printer driver or in the machine's Paper Type menu setting. (See <i>Acceptable paper and other media</i> on page 11 and <i>Basic tab in the Software User's Guide on the CD-ROM.</i>) ■ The problem may disappear by itself. Print multiple pages to clear this problem, especially if the machine has not been used for a long time. ■ Clean the scanner window with a soft cloth. (See <i>Cleaning the laser scanner window</i> on page 70.) ■ The drum unit may be damaged. Put in a new drum unit. (See <i>Replacing the drum unit (DR-520)</i> on page 76.)
 <p>Lines across the page</p>	<ul style="list-style-type: none"> ■ Clean the inside of the machine and the primary corona wire in the drum unit. (See <i>Cleaning the corona wire</i> on page 71.) ■ Clean the scanner window with a soft cloth. (See <i>Cleaning the laser scanner window</i> on page 70.) ■ The drum unit may be damaged. Put in a new drum unit. (See <i>Replacing the drum unit (DR-520)</i> on page 76.)
 <p>Black lines down the page</p> <p>Printed pages have toner stains or stripes down the page.</p>	<ul style="list-style-type: none"> ■ Clean the primary corona wire of the drum unit. (See <i>Cleaning the corona wire</i> on page 71.) ■ Make sure the primary corona wire's blue tab is at the home position (▲). ■ The drum unit may be damaged. Put in a new drum unit. (See <i>Replacing the drum unit (DR-520)</i> on page 76.) ■ The toner cartridge may be damaged. Put in a new toner cartridge. (See <i>Replacing the toner cartridge (TN-550/TN-580)</i> on page 73.) ■ The fuser unit may be smudged. Call Brother Customer Service at 1-800-284-4329 (in USA) or 1-877-BROTHER (in Canada).
 <p>White lines down the page</p>	<ul style="list-style-type: none"> ■ Clean the laser scanner window with a soft cloth. (See <i>Cleaning the laser scanner window</i> on page 70.) ■ The toner cartridge may be damaged. Put in a new toner cartridge. (See <i>Replacing the toner cartridge (TN-550/TN-580)</i> on page 73.)
 <p>Page skewed</p>	<ul style="list-style-type: none"> ■ Make sure the paper or other print media is loaded properly in the paper tray and that the guides are not too tight or too loose against the paper stack. ■ Set the paper guides correctly. ■ If you are using the MP tray, see <i>Loading envelopes and other media</i> on page 15. ■ The paper tray may be too full. ■ Check the paper type and quality. (See <i>Acceptable paper and other media</i> on page 11.)

Examples of poor print quality	Recommendation
 <p data-bbox="193 484 367 510">Curled or wave</p>	<ul data-bbox="477 291 1222 434" style="list-style-type: none"> ■ Check the paper type and quality. High temperatures and high humidity will cause paper to curl. ■ If you do not use the machine often, the paper may have been in the paper tray too long. Turn over the stack of paper in the paper tray. Also, fan the paper stack and then rotate the paper 180° in the paper tray.
 <p data-bbox="166 716 395 741">Wrinkles or creases</p>	<ul data-bbox="477 523 1222 685" style="list-style-type: none"> ■ Make sure that paper is loaded properly. ■ Check the paper type and quality. (See <i>Acceptable paper and other media</i> on page 11.) ■ Turn over the stack of paper in the tray or rotate the paper 180° in the input tray.

Error messages

As with any sophisticated office product, errors may occur. If this happens, your machine will identify the error and display an error message. The most common error messages are shown below.

Error Message	Cause	Action
Check Paper Size	Paper is not the correct size.	Load the correct size of paper and then set the Paper Size (Menu, 1, 2). (See <i>Paper Size</i> on page 17.) Then, set the Tray Use for copying and printing (Menu, 1, 5, 1 or Menu, 1, 5, 2). (See <i>Tray use in Copy mode</i> on page 18 and <i>Tray use in Print mode</i> on page 18.)
Cooling Down Wait for a while	The temperature of the drum unit or toner cartridge is too hot. The machine will pause its current print job and go into cooling down mode. During the cooling down mode, you will hear the cooling fan running while the LCD shows <i>Cooling Down</i> , and <i>Wait for a while</i> .	<p>Make sure that you can hear the fan in the machine spinning and that the exhaust outlet isn't blocked by something.</p> <p>If the fan is spinning, remove any obstacles that surround the exhaust outlet, and then leave the machine turned on but do not use it for several minutes.</p> <p>If the fan is not spinning follow the suggestions below.</p> <p>Turn off the machine's power switch and then turn it on again. If the error message continues leave the machine for several minutes and then try it again.</p>
Cover is Open	The front cover is not closed completely.	Close the front cover of the machine.
	The fuser cover is not closed completely.	Open the back cover, and then open the fuser cover. Remove jammed paper if there is any, and then close the fuser cover and the back cover.
	The document cover is not closed completely.	Remove the document from the scanner glass, and then close the document cover.
Doc. Cover Open	The document cover is not closed completely.	Remove the document from the ADF, remove the document on the scanner glass, and then close the document cover.
Document Jam	The document was not inserted or fed properly, or the document scanned from the ADF was too long.	See <i>Document jams</i> on page 62 or <i>Using the ADF</i> on page 10.

Error Message	Cause	Action
Drum Near End	The drum unit is near the end of its life.	Use the drum unit until you have a print quality problem; then replace the drum unit with a new one. See <i>Replacing the drum unit (DR-520)</i> on page 76
	The drum counter was not reset when a new drum was installed.	1. Open the front cover, and then press Clear/Back . 2. Press 1 to reset.
Duplex Disabled (DCP-8065DN only)	The duplex tray is not installed properly.	Remove the duplex tray and install it again.
Dust on Drum	The primary corona wire on the drum unit needs to be cleaned.	Clean the primary corona wire on the drum unit. (See <i>Cleaning the corona wire</i> on page 71.)
Fuser Error	The temperature of fuser unit does not rise at a specified temperature within specified time.	Turn the power switch off, wait a few seconds, and then turn it on again. Leave the machine for 15 minutes with the power on.
	The fuser unit is too hot.	
No Paper	The machine is out of paper or paper is not properly loaded in the paper tray.	Do one of the following: <ul style="list-style-type: none"> ■ Refill the paper in the paper tray or MP tray. ■ Remove the paper and load it again.
No Tray	The paper tray is not completely closed.	Close the paper tray properly.
Out of Memory	The machine's memory is full.	<p>Copy operation in progress</p> <p>Do one of the following:</p> <ul style="list-style-type: none"> ■ Press Start to copy the scanned pages. ■ Press Stop/Exit and wait until the other operations in progress finish, and then try again. <p>Printing operation in process</p> <p>Do one of the following:</p> <ul style="list-style-type: none"> ■ Reduce print resolution. (See <i>Advanced tab in the Software User's Guide on the CD-ROM</i>.) ■ Clear the data from the memory by pressing Job cancel.
Paper Jam Back	The paper is jammed in the back of the machine.	(See <i>Paper jams</i> on page 63.)
Paper Jam Duplex	The paper is jammed in the duplex tray.	(See <i>Paper jams</i> on page 63.)
Paper Jam Inside	The paper is jammed inside the machine.	(See <i>Paper jams</i> on page 63.)
Paper Jam MPTray	The paper is jammed in the MP tray of the machine.	(See <i>Paper jams</i> on page 63.)

Error Message	Cause	Action
Paper Jam Tray1 Paper Jam Tray2	The paper is jammed in the paper tray of the machine.	(See <i>Paper jams</i> on page 63.)
Replace Fuser	It is time to replace the fuser unit.	Call Brother Customer Service to replace the fuser unit.
Replace Laser	It is time to replace the laser unit.	Call Brother Customer Service to replace the laser unit.
Replace PF Kit1	It is time to replace the paper feeding kit for Tray 1.	Call Brother Customer Service to replace the PF Kit 1.
Replace PF Kit2	It is time to replace the paper feeding kit for Tray 2.	Call Brother Customer Service to replace the PF Kit 2.
Replace PF KitMP	It is time to replace the paper feeding kit for the MP tray.	Call Brother Customer Service to replace the PF Kit MP.
Scanner Locked	The scanner lock is locked.	Open the document cover, then release the scanner lock lever, and press Stop/Exit .
Toner Error	The toner cartridge and drum unit assembly is not installed properly.	Reinstall the toner cartridge.
Toner Life End	The toner cartridge and drum unit assembly is not installed properly, or the toner cartridge is used up and printing is not possible.	Do one of the following: <ul style="list-style-type: none"> ■ Re-install the toner cartridge and drum unit assembly. ■ Replace the toner cartridge with a new one. (See <i>Replacing the toner cartridge (TN-550/TN-580)</i> on page 73.)
Toner Low	If the LCD shows <i>Toner Low</i> , you can still print; however, the machine is telling you that the toner cartridge is near the end of its life and the toner will soon run out.	Order a new toner cartridge now.
Too Many Trays	More than one optional tray is installed.	The maximum number of optional trays is one. Remove any additional trays.
Unable to Init. (Initialize) Unable to Print	The machine has a mechanical problem.	Turn off the machine's power switch and then turn it on again. If the error message continues leave the machine for several minutes before you try to print, copy or scan again.
Unable to Scan	The machine has a mechanical problem.	Turn off the machine's power switch and then turn it on again. If the error message continues leave the machine for several minutes and then try it again.
	Document is too long for duplex scanning.	Press Stop/Exit . Use a suitable size of paper for duplex scanning. See <i>Scan</i> on page 94.

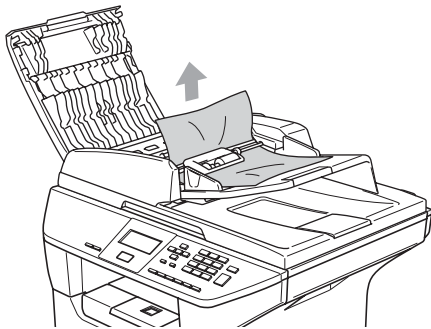
Document jams

If the document is jammed, follow the steps below.

Document is jammed in the top of the ADF unit

The document may get jammed if it is not inserted or fed properly, or if it is too long. Follow the steps below to clear a document jam.

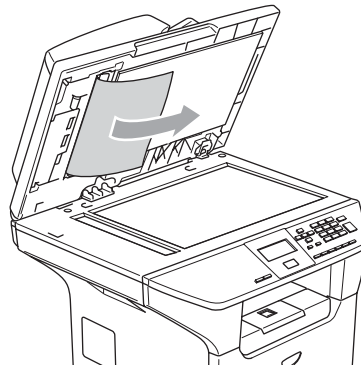
- 1 Take out any paper from the ADF that is not jammed.
- 2 Open the ADF cover.
- 3 Pull the jammed document out to the left.



- 4 Close the ADF cover.
- 5 Press **Stop/Exit**.

Document is jammed under the document cover

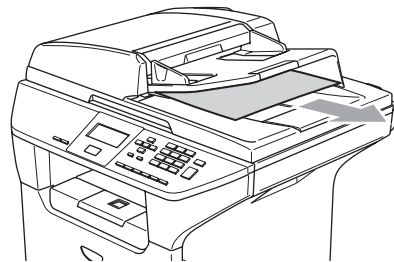
- 1 Take out any paper from the ADF that is not jammed.
- 2 Lift the document cover.
- 3 Pull the jammed document out to the right.



- 4 Close the document cover.
- 5 Press **Stop/Exit**.

Document is jammed at the output tray

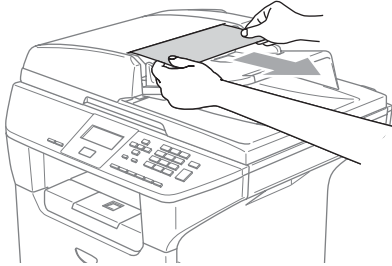
- 1 Take out any paper from the ADF that is not jammed.
- 2 Pull the jammed document out to the right.



- 3 Press **Stop/Exit**.

Document is jammed in the duplex slot (DCP-8065DN only)

- 1 Take out any paper from the ADF that is not jammed.
- 2 Pull the jammed document out to the right.



- 3 Press **Stop/Exit**.

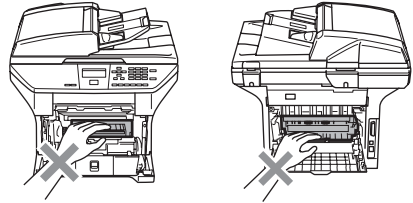
Paper jams

To clear paper jams, please follow the steps in this section.



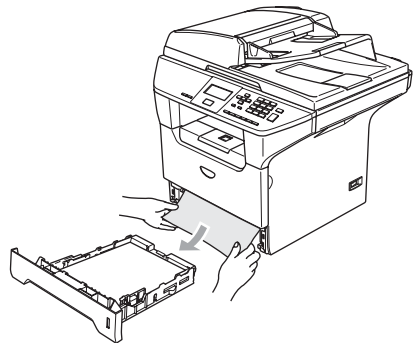
HOT SURFACE

After you have just used the machine, some internal parts of the machine will be extremely hot. When you open the front or back cover of the machine, **DO NOT** touch the shaded parts shown in the illustration.

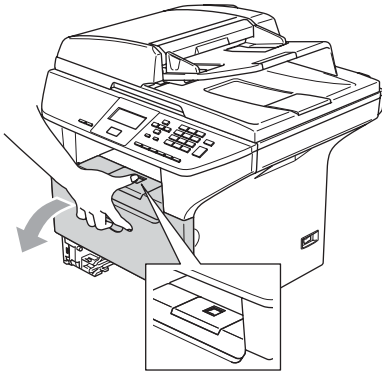


Paper is jammed inside the machine

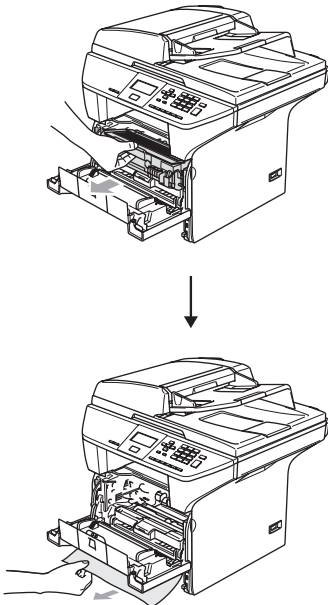
- 1 Pull the paper tray completely out of the machine.
- 2 Use both hands to slowly pull out the jammed paper.



- 3 Press the cover release lever to open the front cover.

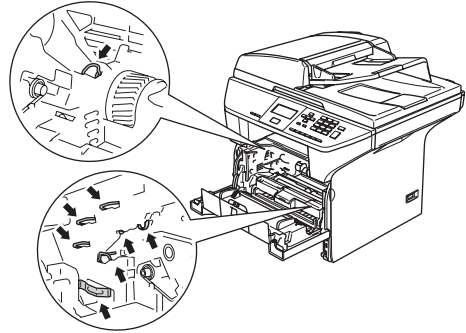


- 4 Slowly take out the drum unit and toner cartridge assembly. The jammed paper may be pulled out with the toner cartridge and drum unit assembly, or this may release the paper so you can pull it out of the paper tray opening.

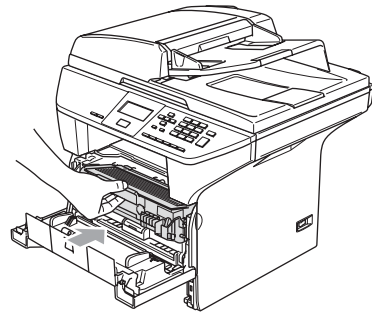


! CAUTION

To prevent damage to the machine from static electricity, DO NOT touch the electrodes shown in the illustration.



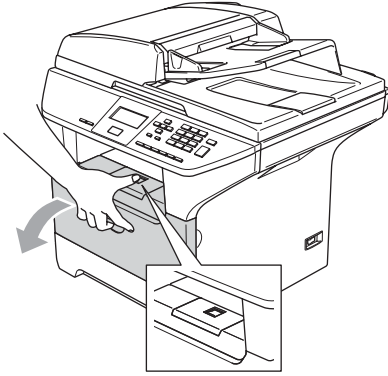
- 5 Put the drum unit and toner cartridge assembly back in the machine.



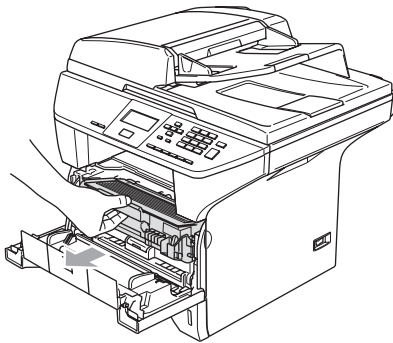
- 6 Close the front cover.
7 Put the paper tray firmly back in the machine.

Paper is jammed at the back of the machine

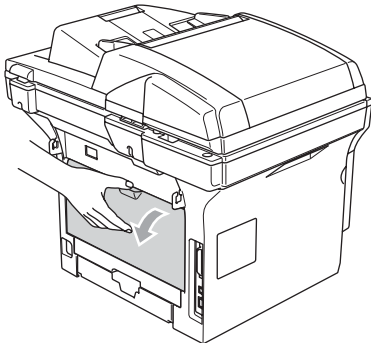
- 1 Press the cover release lever to open the front cover.



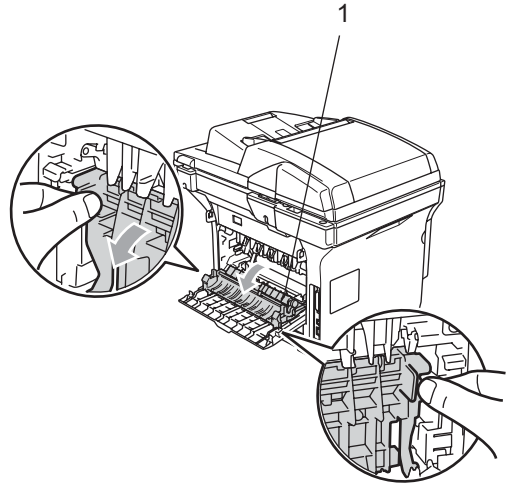
- 2 Take out the drum unit and toner cartridge assembly.



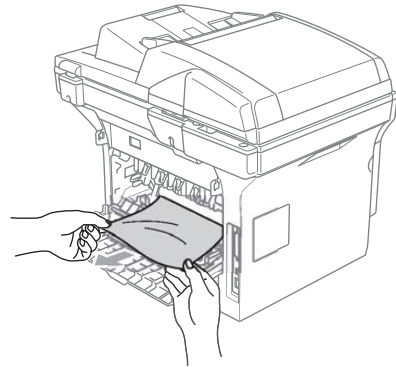
- 3 Open the back cover.



- 4 Pull the tabs at the left and right hand sides toward you to open the fuser cover (1).

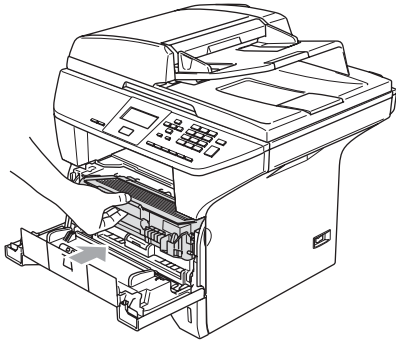


- 5 Using both hands, gently pull the jammed paper out of the fuser unit.



- 6 Close the back cover.

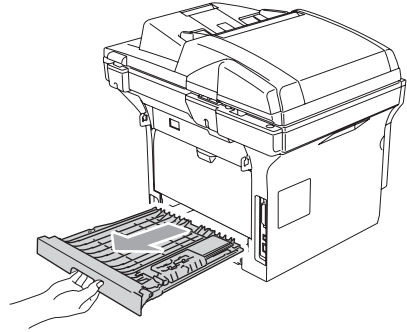
- 7 Put the drum unit and toner cartridge assembly back in the machine.



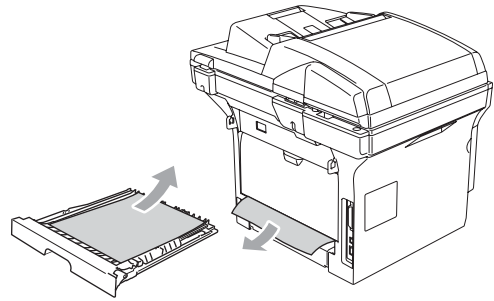
- 8 Close the front cover.

Paper is jammed in the duplex tray (DCP-8065DN only)

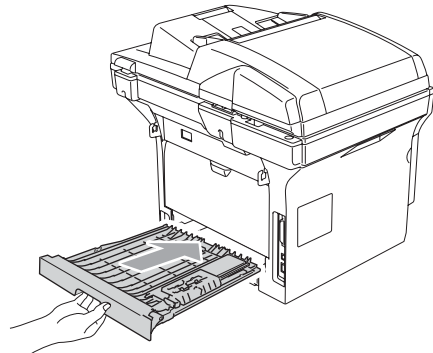
- 1 Pull the duplex tray completely out of the machine.



- 2 Pull the jammed paper out of the machine or the duplex tray.

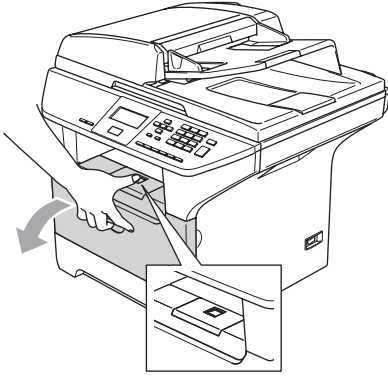


- 3 Put the duplex tray back in the machine.

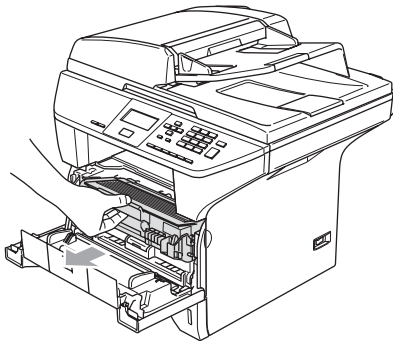


Paper is jammed inside the drum unit and toner cartridge assembly

- 1 Press the cover release lever to open the front cover.

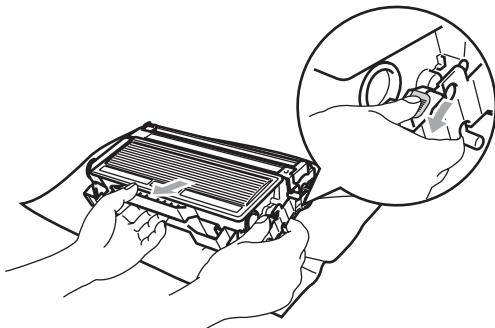


- 2 Take out the drum unit and toner cartridge assembly.

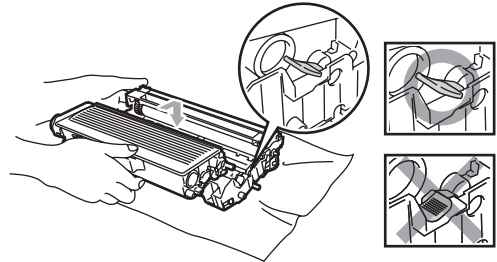


- 3 Hold down the lock lever on the right and take the toner cartridge out of the drum unit.

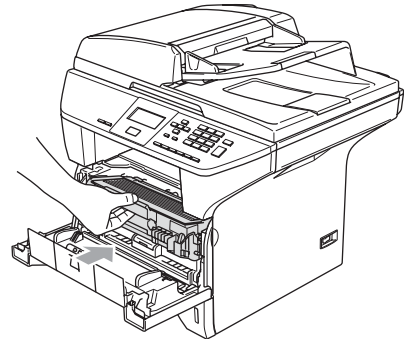
Take out the jammed paper if there is any inside the drum unit.



- 4 Put the toner cartridge back into the drum unit until you hear it lock into place. If you put it in properly, the lock lever will lift automatically.



- 5 Put the drum unit and toner cartridge assembly back in the machine.



- 6 Close the front cover.

Routine maintenance

! CAUTION

The drum unit contains toner, so handle it carefully. If toner scatters on your hands or clothes, wipe or wash it off with cold water at once.

Cleaning the outside of the machine

! CAUTION

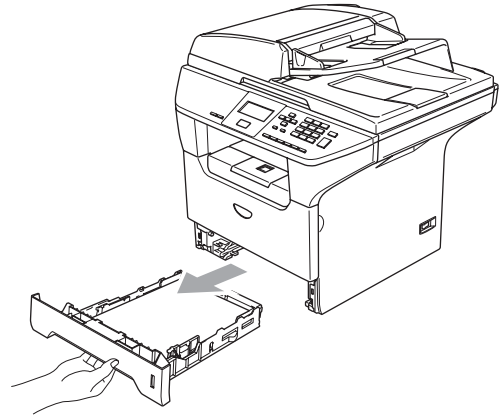
Use neutral detergents. Cleaning with volatile liquids such as thinner or benzine will damage the outside surface of the machine.

DO NOT use cleaning materials that contain ammonia.

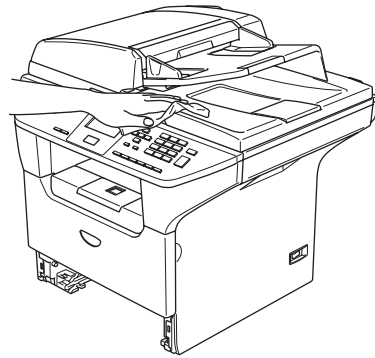
DO NOT use isopropyl alcohol to remove dirt from the control panel. It may crack the panel.

Clean the outside of the machine as follows:

- 1 Pull the paper tray completely out of the machine.

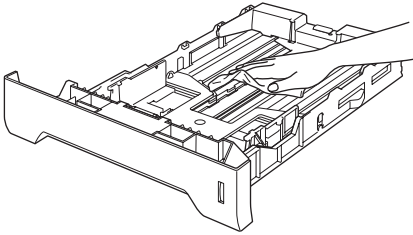


- 2 Wipe the outside of the machine with a soft cloth to remove dust.



- 3 Remove anything that is stuck inside the paper tray.

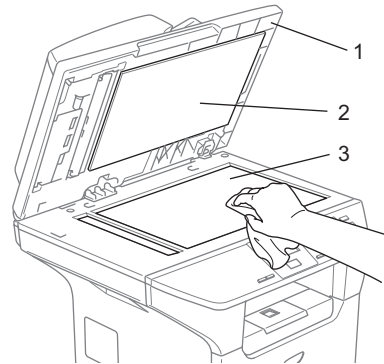
- 4 Wipe the inside of the paper tray with a soft cloth to remove dust.



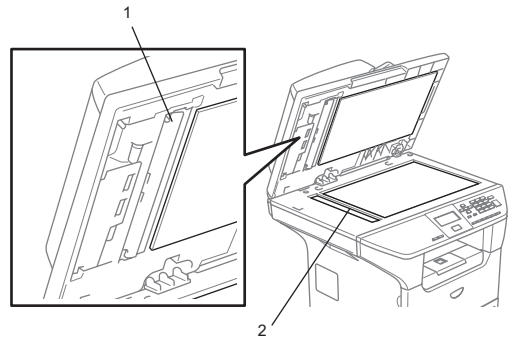
- 5 Re-load the paper and put the paper tray firmly back in the machine.

Cleaning the scanner glass

- 1 Turn off the machine's power switch.
- 2 Lift the document cover (1). Clean the white plastic surface (2) and scanner glass (3) underneath it with isopropyl alcohol on a soft lint-free cloth.



- 3 In the ADF unit, clean the white plastic bar (1) and the scanner glass strip (2) under it with isopropyl alcohol on a lint-free cloth.



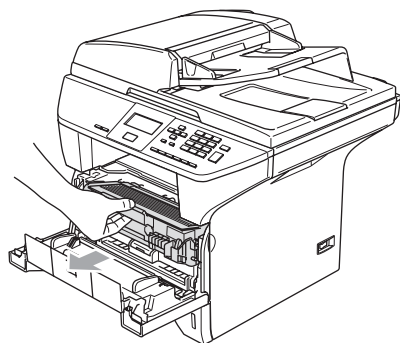
Cleaning the laser scanner window

! CAUTION

DO NOT use isopropyl alcohol to clean the laser scanner window.

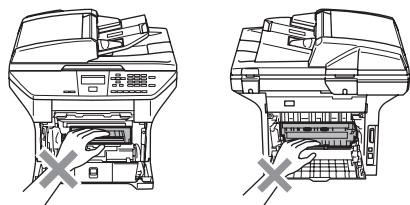
DO NOT touch the laser scanner window with your fingers.

- 1 Turn off the machine's power switch. Unplug the power cord from the AC power outlet.
- 2 Open the front cover and take out the drum unit and toner cartridge assembly.



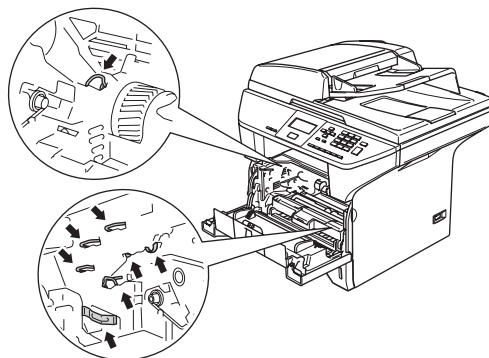
! HOT SURFACE

After you have just used the machine, some internal parts of the machine will be extremely hot. When you open the front cover of the machine, DO NOT touch the shaded parts shown in the illustration.

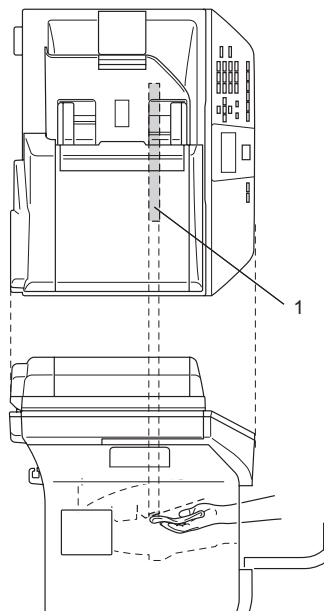


! CAUTION

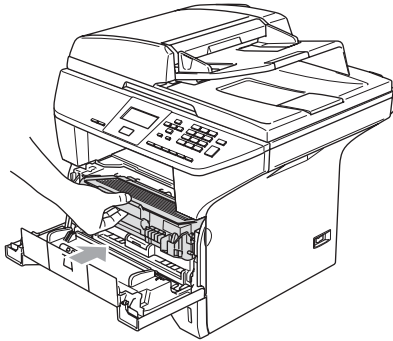
To prevent damage to the machine from static electricity, DO NOT touch the electrodes shown in the illustration.



- 3 Gently clean the laser scanner window (1) by wiping it with a clean soft, dry lint-free cloth. Do not use isopropyl alcohol.



- 4 Put the drum unit and toner cartridge assembly back into the machine.

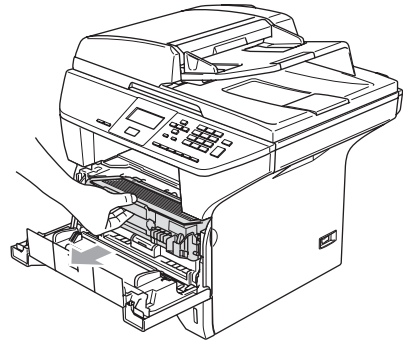


- 5 Close the front cover.
- 6 Plug the machine's power cord back into the AC power outlet. Turn on the machine's power switch.

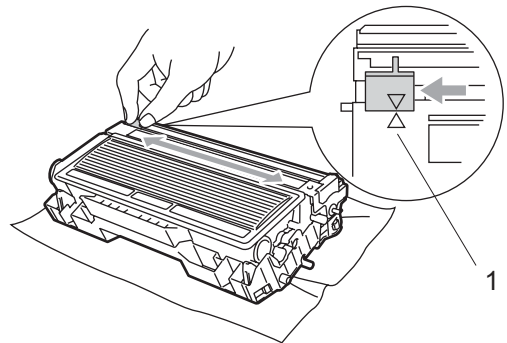
Cleaning the corona wire

We recommend that you put the drum unit and toner cartridge assembly on a piece of disposable paper or cloth in case you accidentally spill or scatter toner.

- 1 Open the front cover and take out the drum unit and toner cartridge assembly.



- 2 Clean the primary corona wire inside the drum unit by gently sliding the blue tab from right to left and left to right several times.



- 3 Return the blue tab and snap it into the home position (▼).

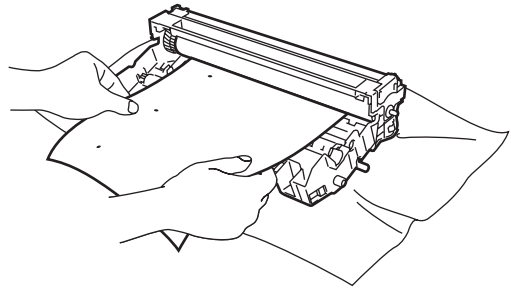
! CAUTION

If you do not return the blue tab to the home position (▼) your printed pages may have vertical black stripes on them.

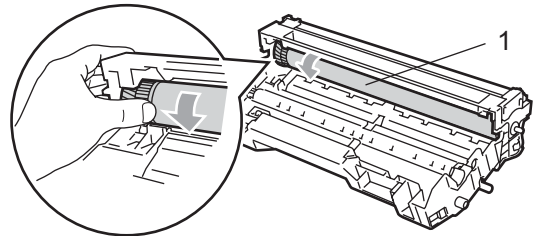
- 4 Put the drum unit and toner cartridge assembly back in the machine.
- 5 Close the front cover.

Cleaning the drum unit

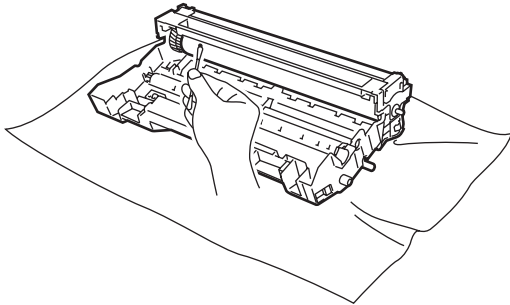
- 1 Take out the drum unit and toner cartridge assembly, and then take out the toner cartridge from the drum unit.
- 2 Put the print sample in front of the drum unit, and find the exact position of the poor print.



- 3 Turn the white gear on the drum as you check the surface of the OPC drum (1).



- 4 When you find the substance on the drum surface that matches the print sample, gently dab the surface of the OPC drum with a cotton swab that is lightly dampened with isopropyl alcohol.



! CAUTION

The OPC drum is photosensitive so do not touch it with your fingers.

Do not use a scrubbing or wiping motion because this might damage the drum.

DO NOT clean the surface of the OPC drum with a sharp object, such as a ball-point pen, because this might cause permanent damage to the drum unit.

Replacing the toner cartridge (TN-550/TN-580)

The TN-580 toner cartridge can print approximately 7,000 pages using a high yield toner cartridge. When the toner cartridge is running low, the LCD shows `Toner Low`. The machine is supplied with a standard TN-550 toner cartridge that must be replaced after approximately 3,500 pages. Actual page count will vary depending on your average type of document (i.e., standard letter, detailed graphics).

 **Note**

It is a good idea to keep a new toner cartridge ready for use when you see the `Toner Low` warning.

Discard the used toner cartridge according to local regulations, keeping it separate from domestic waste. Be sure to seal up the toner cartridge tightly so that toner powder does not spill out of the cartridge. If you have questions, call your local waste disposal office.

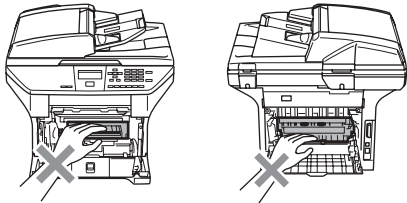
We recommend that you clean the machine and corona wire of the drum unit when you replace the toner cartridge. (See *Cleaning the laser scanner window* on page 70 and *Cleaning the corona wire* on page 71.)

Replacing the toner cartridge

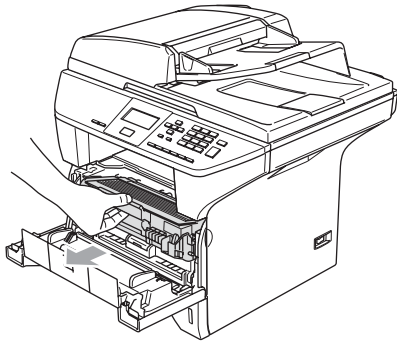


HOT SURFACE

After you have just used the machine, some internal parts of the machine will be extremely hot. When you open the front or back cover of the machine, DO NOT touch the shaded parts shown in the illustration.

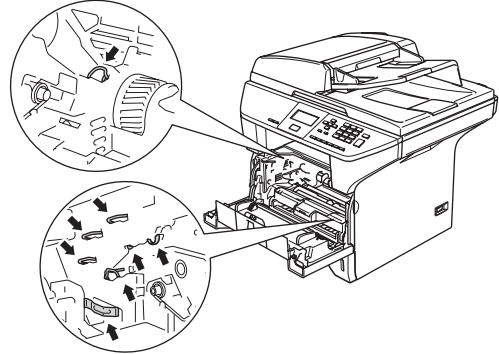


- 1 Open the front cover and take out the drum unit and toner cartridge assembly.

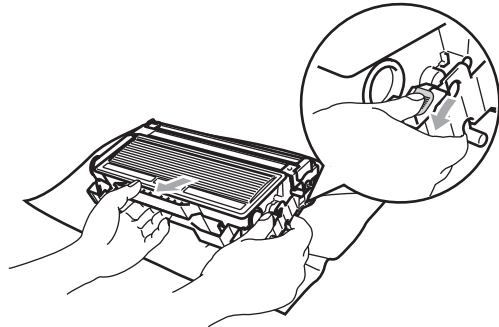


CAUTION

To prevent damage to the machine from static electricity, DO NOT touch the electrodes shown in the illustration.



- 2 Hold down the lock lever on the right and take the toner cartridge out of the drum unit.



WARNING

DO NOT put a toner cartridge into a fire. It could explode, resulting in injuries.

! CAUTION

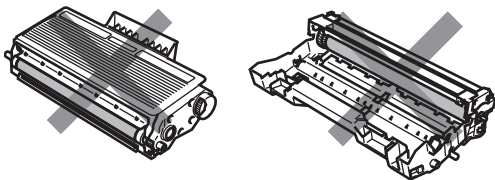
Put the drum unit on a drop cloth or large piece of disposable paper to avoid spilling and scattering the toner.

Handle the toner cartridge carefully. If toner scatters on your hands or clothes, wipe or wash it off with cold water at once.

! CAUTION

Brother strongly recommends that you do not refill the toner cartridge provided with your machine. We also strongly recommend that you continue to use only Genuine Brother Brand replacement toner cartridges (**TN-550/TN-580**). Use or attempted use of potentially incompatible toner and/or cartridges in the Brother machine may cause damage to the machine and/or may result in unsatisfactory print quality. Our warranty coverage does not apply to any problem that is caused by the use of unauthorized third party toner and/or cartridges. To protect your investment and obtain premium performance from the Brother machine, we strongly recommend the use of Genuine Brother Supplies.

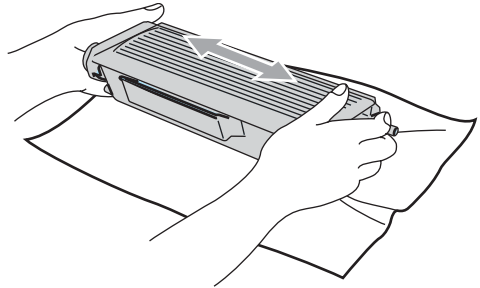
Wait to unpack the toner cartridge until immediately before you put it in the machine. If a toner cartridge is left unpacked for a long time, the toner life will be shortened.



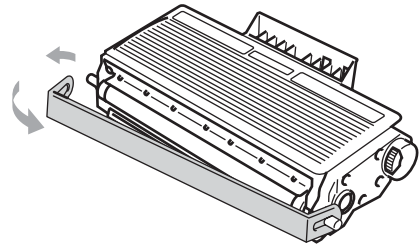
DO NOT touch the shaded parts shown in the illustrations to prevent any degradation to the print quality.

3. Unpack the new toner cartridge. Put the used toner cartridge into the aluminum bag and discard it according to local regulations.

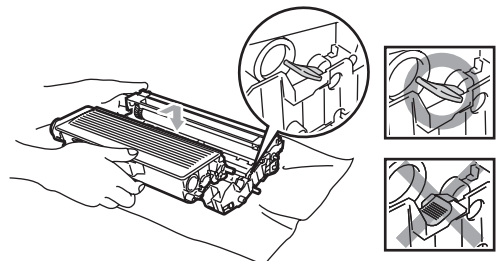
4. Gently rock the toner cartridge from side to side five or six times to spread the toner evenly inside the cartridge.



5. Pull off the protective cover.



6. Put the new toner cartridge firmly into the drum unit until you hear it lock into place. If you put it in properly, the lock lever will lift automatically.



- 7 Clean the primary corona wire inside the drum unit by gently sliding the blue tab from left to right and right to left several times. Be sure to return the blue tab to the home position (▼).
- 8 Put the drum unit and toner cartridge assembly back in the machine.
- 9 Close the front cover.

Replacing the drum unit (DR-520)

The machine uses a drum unit to create print images on paper. If the LCD shows `Drum Near End`, the drum unit is near the end of its life and it is time to buy a new one.

Even if the LCD shows `Drum Near End`, you may be able to continue printing without having to replace the drum unit for a while. However, if there is a noticeable deterioration in the output print quality (even before `Drum Near End` appears), then the drum unit should be replaced. You should clean the machine when you replace the drum unit. (See *Cleaning the laser scanner window* on page 70.)

CAUTION

While removing the drum unit, handle it carefully because it may contain toner. If toner scatters on your hands or clothes, wipe or wash it off with cold water at once.

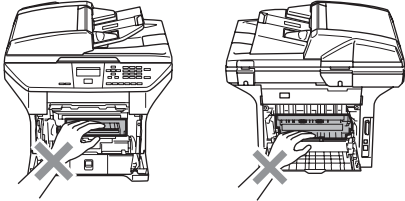
Note

The drum unit is a consumable item, and it is necessary to replace it periodically. There are many factors that determine the actual drum life, such as temperature, humidity, type of paper and how much toner you use for the number of pages per print job. The estimated drum life is approximately 25,000 pages. The actual number of pages your drum will print may be significantly less than these estimates. Because we have no control over the many factors that determine the actual drum life, we cannot guarantee a minimum number of pages that will be printed by your drum.

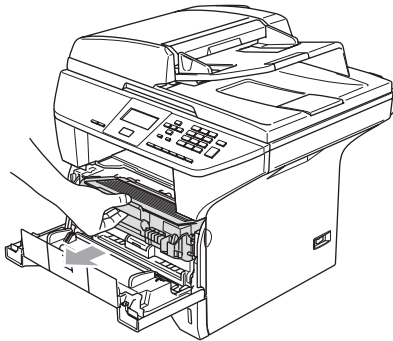


HOT SURFACE

After you have just used the machine, some internal parts of the machine will be extremely hot. When you open the front or back cover of the machine, DO NOT touch the shaded parts shown in the illustration.

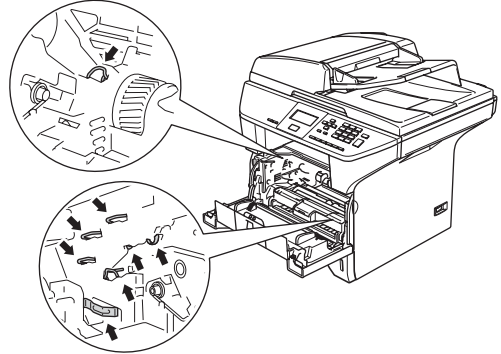


- 1 Open the front cover and take out the drum unit and toner cartridge assembly.

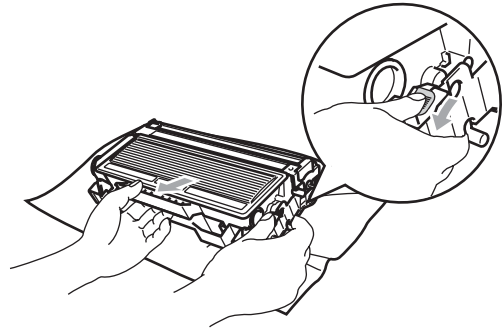


CAUTION

To prevent damage to the printer from static electricity, DO NOT touch the electrodes shown in the illustration.



- 2 Hold down the lock lever on the right and take the toner cartridge out of the drum unit.



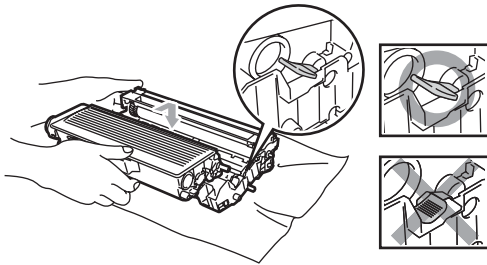
Note

Discard the used drum unit according to local regulations, keeping it separate from domestic waste. Be sure to seal up the drum unit tightly so that toner powder does not spill out of the unit. If you have questions, call your local waste disposal office.

! CAUTION

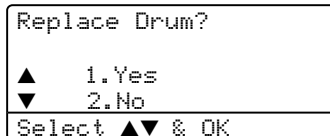
Wait to unpack a new drum unit until immediately before installing it. Put the old drum unit into the plastic bag.

- 3 Unpack the new drum unit.
- 4 Put the toner cartridge firmly into the new drum unit until you hear it lock into place. If you put it in properly, the lock lever will lift automatically.



- 5 Put the drum unit and toner cartridge assembly back in the machine. Do not close the front cover.

- 6 Press **Clear/Back**.



To confirm you are installing a new drum, press **1**.

- 7 When the LCD shows *Accepted*, close the front cover.

! CAUTION

If toner scatters on your hands or clothes, wipe or wash it off with cold water at once.

Replacing periodic maintenance parts

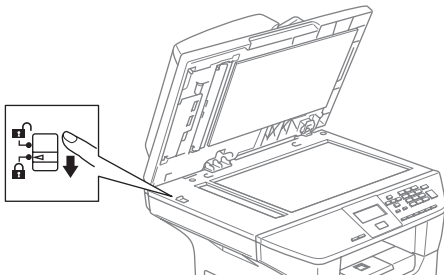
The periodic maintenance parts will need to be replaced regularly to maintain the print quality. The parts listed below will have to be replaced after printing approximately 100,000 pages. Please call Brother Customer Service when the following messages appear on the LCD.

LCD message	Description
Replace PF KitMP	Replace paper feeding kit for MP tray.
Replace PF Kit1	Replace paper feeding kit for Tray 1.
Replace PF Kit2	Replace paper feeding kit for Tray 2.
Replace Fuser	Replace fuser unit.
Replace Laser	Replace laser unit.

Packing and shipping the machine

When you transport the machine, use the packing materials that came with your machine. If you do not pack the machine properly, you could void your warranty. The machine should be adequately insured with the carrier.

- 1 Turn off the machine's power switch.
- 2 Unplug all the cables and AC power cord from the machine.
- 3 Push the Scanner Lock Lever down to lock the scanner. This lever is located on the left of the scanner glass.

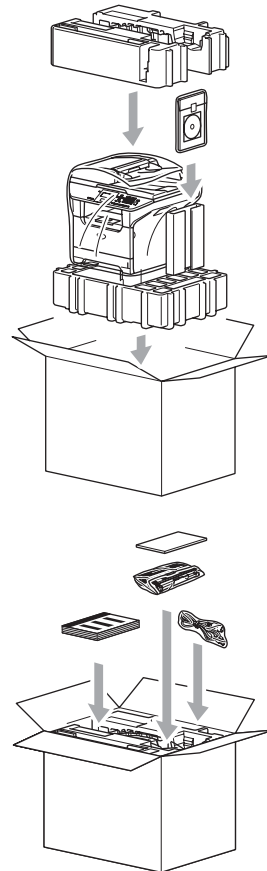


! CAUTION

Damage caused to your machine by failure to lock the scanner before packing and shipping may void your warranty.

- 4 Open the front cover.
- 5 Take out the drum unit and toner cartridge assembly. Leave the toner cartridge installed in the drum unit.
- 6 Put the drum unit and toner cartridge assembly into the plastic bag and seal the bag.
- 7 Close the front cover.

- 8 Wrap the machine in the plastic bag and put it in the original carton with the original packing material.
- 9 Pack the drum unit and toner cartridge assembly, AC power cord and printed materials in the original carton as shown below.



Note

If you are returning your machine to Brother as part of the Exchange Service, pack only the machine. Keep all separate parts and printed materials to use with your 'Exchange' machine.

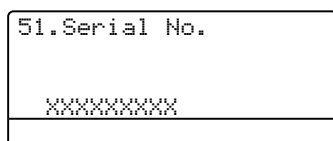
- 10 Close the carton and tape it shut.

Machine Information

Checking the serial number

You can see the machine's serial number on the LCD.

- 1 (DCP-8060) Press **Menu**, **4**, **1**.
(DCP-8065DN) Press **Menu**, **5**, **1**.

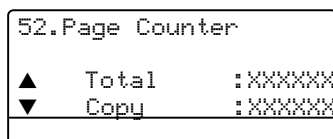


- 2 Press **Stop/Exit**.

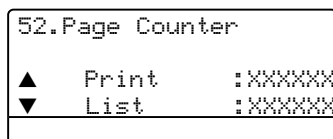
Checking the page counters

You can see the machine's page counters for copies, printed pages, reports and lists or a summary total.

- 1 (DCP-8060) Press **Menu**, **4**, **2**.
(DCP-8065DN) Press **Menu**, **5**, **2**.
The LCD shows number of pages for **Total** and **Copy**.



- 2 Press **▲** or **▼** to see **Print** or **List**.



- 3 Press **Stop/Exit**.

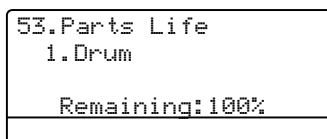
Checking remaining life of parts

You can view the remaining life of maintenance parts on the LCD.

- 1 (DCP-8060) Press **Menu**, **4**, **3**.
(DCP-8065DN) Press **Menu**, **5**, **3**.



- 2 Press **▲** or **▼** to select **1.Drum**, **2.Fuser**, **3.Laser**, **4.PF Kit MP**, **5.PF Kit 1** or **6.PF Kit 2**.
Press **OK**.



Note

The life check of a part will be accurate only if you have reset that part's life counter when you installed a new part. It will not be accurate if you have reset that part's life counter during the life of a used part.

D

Menu and Features

On-screen programming

Your machine has been designed to be easy to use. The LCD provides on-screen programming using the menu keys.

We have created step by step on-screen instructions to help you program your machine. Simply follow the steps as they guide you through the menu selections and programming options.

Menu table

You can program your machine without the User's Guide by using the Menu table on page 83. These pages list the menu selections and options.

Press **Menu** followed by the menu numbers to program your machine.

For example, to set *Beeper* volume to *Low*.

- 1 Press **Menu**, **1**, **3**.
- 2 Press ▲ or ▼ to choose *Low*.
- 3 Press **OK**.

Memory storage

Your menu settings are stored permanently, and in the event of a power failure will *not* be lost. Temporary settings (for example, Contrast) *will* be lost.

Menu keys

	Access the menu.
	Go to the next menu level. Accept an option.
	Exit the menu by pressing repeatedly. Go back to the previous menu level.
	Scroll through the current menu level.
	Go back to the previous menu level or forward to the next menu level.
	Exit the menu.

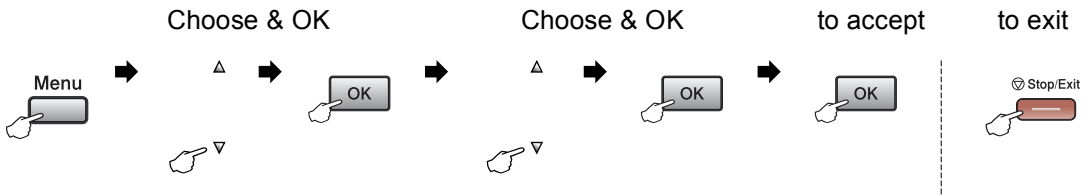
To access the menu mode:

- 1 Press **Menu**.
- 2 Choose an option.
 - Press **1** for General Setup menu.
 - Press **2** for Copy menu.
 - Press **3** for Printer menu.(DCP-8060)
 - Press **4** for Machine Info menu.(DCP-8065DN)
 - Press **4** for LAN menu.
 - Press **5** for Machine Info menu.

You can scroll more quickly through each menu level by pressing **▲** or **▼** for the direction you want.
- 3 Press **OK** when the option you want is highlighted on the LCD.
The LCD will then show the next menu level.
- 4 Press **▲** or **▼** to scroll to your next menu selection.
- 5 Press **OK**.
When you have finished setting an option, the LCD shows *Accepted*.

Menu Table

The factory settings are shown in Bold with an asterisk.



Main Menu	Submenu	Menu Selections	Options	Descriptions	Page
1.General Setup	1.Paper Type	1.MP Tray	Thin Plain* Thick Thicker Transparency Recycled Paper	Sets the type of paper in the MP tray.	17
		2.Tray#1	Thin Plain* Thick Thicker Transparency Recycled Paper	Sets the type of paper in the paper tray.	17
		3.Tray#2 (This menu only appears if you have the optional tray #2)	Thin Plain* Thick Thicker Recycled Paper	Sets the type of paper in the optional paper tray #2.	17

Main Menu	Submenu	Menu Selections	Options	Descriptions	Page
1. General Setup (Continued)	2. Paper Size	1. MP Tray	A4 Letter* Legal Executive A5 A6 B5 B6 Folio Any	Sets the size of the paper in the MP tray.	17
		2. Tray#1	A4 Letter* Legal Executive A5 A6 B5 B6 Folio	Sets the size of the paper in the paper tray.	17
		3. Tray#2 (This menu only appears if you have the optional tray #2)	A4 Letter* Legal Executive A5 B5 B6 Folio	Sets the size of the paper in the optional paper tray #2.	17
	3. Beeper	—	Off Low Med* High	Adjusts the volume level of the beeper.	19
	4. Ecology	1. Toner Save	On Off*	Increases the page yield of the toner cartridge.	19
		2. Sleep Time	(0-99) 05 Min*	Conserves power.	19

Main Menu	Submenu	Menu Selections	Options	Descriptions	Page
1. General Setup (Continued)	5. Tray Use	1. Copy	Tray#1 Only Tray#2 Only MP Only MP>T1>T2* T1>T2>MP (Tray#2 or T2 appears only if you installed the optional paper tray.)	Selects the tray that will be used for Copy mode.	18
		2. Print	Tray#1 Only Tray#2 Only MP Only MP>T1>T2* T1>T2>MP (Tray#2 or T2 appears only if you installed the optional paper tray.)	Selects the tray that will be used for PCprint.	18
	6. LCD Contrast	—	-□□□□■+ -□□□■□+ -□□■□□+* -□■□□□+ -■□□□□+	Adjusts the contrast of the LCD.	20
	7. Function Lock	—	—	Can restrict selected machine operation for up to 25 individual users and all other non-authorized Public users.	21
	8. User Settings	—	—	You can print a list of your settings.	20
	0. Local Language (Canada only)	—	English* Français	Allows you to change the LCD language for your country.	See Quick Setup Guide.

Main Menu	Submenu	Menu Selections	Options	Descriptions	Page
2.Copy	1.Quality	—	Auto* Photo Text	You can choose the Copy resolution for your type of document.	27
	2.FB Txt Quality	—	1200x600dpi 600dpi*	You can change to the higher Copy resolution when you make a text copy with 100% ratio using the scanner glass.	27
	3.Contrast	—	-□□□□■+ -□□□■□+ -□□■□□+* -□■□□□+ -■□□□□+	Adjusts the contrast for copies.	33
3.Printer	1.Emulation	—	Auto (EPSON)* Auto (IBM) HP LaserJet BR-Script 3 Epson FX-850 IBM Proprinter	Chooses the emulation mode.	See Software User's Guide on the CD-ROM.
	2.Print Options	1.Internal Font	—	Prints a list of the machine's internal fonts.	
		2.Configuration	—	Prints a list of the machine's printer settings.	
	3.Reset Printer	—	1.Reset 2.Exit	Returns the PCL setting to the default settings.	

Main Menu	Submenu	Menu Selections	Options	Descriptions	Page
4. LAN (DCP-8065DN)	1. TCP/IP	1. BOOT Method	Auto* Static RARP BOOTP DHCP	Chooses the BOOT method that best suits your needs.	See Network User's Guide on the CD-ROM.
		2. IP Address	[000-255]. [000-255]. [000-255]. [000-255]	Enter the IP address.	
		3. Subnet Mask	[000-255]. [000-255]. [000-255]. [000-255]	Enter the Subnet mask.	
		4. Gateway	[000-255]. [000-255]. [000-255]. [000-255]	Enter the Gateway address.	
		5. Node Name	BRN_XXXXXX	Enter the Node name.	
		6. WINS Config	Auto* Static	Chooses the WINS configuration mode.	
		7. WINS Server	(Primary) 000.000.000.000 (Secondary) 000.000.000.000	Specifies the IP address of the primary or secondary WINS server.	
		8. DNS Server	(Primary) 000.000.000.000 (Secondary) 000.000.000.000	Specifies the IP address of the primary or secondary DNS server.	
		9. APIPA	On* Off	Automatically allocates the IP address from the link-local address range.	
		0. IPv6	On Off*		
	2. Ethernet	—	Auto* 100B-FD 100B-HD 10B-FD 10B-HD	Chooses the Ethernet link mode.	

Main Menu	Submenu	Menu Selections	Options	Descriptions	Page
4.LAN (DCP-8065DN) (Continued)	3.Scan to FTP	1.Color	PDF* JPEG	Chooses the file format to send the scanned data.	See Network User's Guide on the CD-ROM.
		2.B/W	PDF* TIFF		
	0.Factory Reset	1.Reset	1.Yes 2.No	Restores all network settings to factory default.	
		2.Exit	—		
4.Machine Info. (DCP-8060) 5.Machine Info. (DCP-8065DN)	1.Serial No.	—	—	You can check the serial number of your machine.	80
	2.Page Counter	—	Total Copy Print List	You can check the number of total pages the machine has printed during its life.	80
	3.Parts Life	1.Drum 2.Fuser 3.Laser 4.PF Kit MP 5.PF Kit 1 6.PF Kit 2	—	You can check the percentage of a machine part's life that remains available. PF Kit 2 appears only when the optional LT-5300 tray is installed.	80

Entering Text

When setting certain menu selections, you will need to type text characters. The dial pad keys have letters printed on them. The keys: 0, # and * do *not* have printed letters because they are used for special characters.

Press the appropriate dial pad key the required number of times to access the characters below:

(For setting a Node Name) (DCP-8065DN only)

Press Key	one time	two times	three times	four times	five times	six times	seven times	eight times
2	a	b	c	A	B	C	2	a
3	d	e	f	D	E	F	3	d
4	g	h	i	G	H	I	4	g
5	j	k	l	J	K	L	5	j
6	m	n	o	M	N	O	6	m
7	p	q	r	s	P	Q	R	S
8	t	u	v	T	U	V	8	t
9	w	x	y	z	W	X	Y	Z

(For setting other menu selections)

Press Key	one time	two times	three times	four times
2	A	B	C	2
3	D	E	F	3
4	G	H	I	4
5	J	K	L	5
6	M	N	O	6
7	P	Q	R	S
8	T	U	V	8
9	W	X	Y	Z

Inserting spaces

To enter a space in a name, press ► twice between characters.

Making corrections

If you entered a letter incorrectly and want to change it, press ◀ to move the cursor under the incorrect character, and then press **Clear/Back**.

Repeating letters

To enter a character on the same key as the previous character, press ► to move the cursor right before pressing the key again.

Special characters and symbols

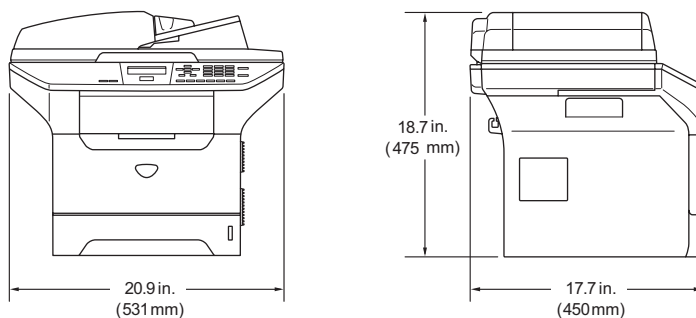
Press *****, **#** or **0**, then press **◀** or **▶** to move the cursor under the symbol or character you want.
Press **OK** to select it.

Press *	for	(space) ! " # \$ % & ' () * + , - . / €
Press #	for	: ; < = > ? @ [] ^ _
Press 0	for	Á À Ã Ä Ç È É Ê Ë Ì Í Î Ï Ó Ô Õ Ö × Ù Ú Û Ü

General

Memory Capacity	32 MB
ADF (automatic document feeder)	Up to 50 pages (Staggered) Duplex, up to Letter/A4 (DCP-8065DN only) Recommended Environment: Temperature: 68°F to 86°F (20 to 30°C) Humidity: 50% - 70% Paper: Xerox 4200 or Xerox 4024 (20 lb/Letter)
Paper Tray	250 Sheets [20 lb (80 g/m ²)]
Printer Type	Laser
Print Method	Electrophotography by semiconductor laser beam scanning
LCD (liquid crystal display)	22 characters × 5 lines
Power Source	100 - 120V AC 50/60Hz
Power Consumption	Copying: Average 660 W Sleep: Average 15 W Standby: Average 85 W

Dimensions



Weight	Without Drum/Toner Unit: (DCP-8060) 35.5 lb (16.1 kg) (DCP-8065DN) 36.0 lb (16.3 kg)
Noise level	Sound power Operating (Copying): LWAd = 7.0 Bell Standby: LWAd = 4.6 Bell Sound pressure Operating (Copying): LpAm = 55 dBA Standby: LpAm = 30 dBA
Temperature	Operating: 50°F to 90.5°F (10 to 32.5°C) Storage: 32°F to 104°F (0 to 40°C)
Humidity	Operating: 20 to 80% (without condensation) Storage: 10 to 90% (without condensation)

Print media

Paper Input

Paper Tray

- Paper type:
Plain paper, Bond Paper, Recycled paper or Transparencies
- Paper size:
Letter, Legal, A4, Executive, A5, A6, B5, B6 and Folio
- Paper Weight:
16 to 28 lb (60 to 105 g/m²)
- Maximum paper tray capacity: Up to 250 sheets of
20 lb (80 g/m²) plain paper or up to 10 transparencies

Multi-purpose tray (MP tray)

- Paper type:
Plain paper, Recycled paper, Transparencies, Envelopes,
Bond paper or Labels
- Paper size:
Width: 2.75 to 8.5 in. (69.9 to 215.9 mm)
Length: 4.57 to 16 in. (116.0 to 406.4 mm)
- Paper Weight:
16 to 43 lb (60 to 161 g/m²)
- Maximum paper tray capacity: Up to 50 sheets of
20 lb (80 g/m²) plain paper

Paper Output

Up to 150 sheets (Face down print delivery to the output paper tray)

Copy

Color/Monochrome	Monochrome
Duplex Copying	Yes (DCP-8065DN only)
Single-Sided Document Size	ADF Width: 5.8 to 8.5 in. (148.0 to 215.9 mm) ADF Height: 5.8 to 14 in. (148.0 to 355.6 mm) Scanner Glass Width: Max. 8.5 in. (215.9 mm) Scanner Glass Height: Max. 14 in. (355.6 mm) Copy Width: Max. 8.32 in (211.3 mm.)
2-Sided (Duplex) Document Size (DCP-8065DN only)	ADF Width: 5.8 to 8.5 in. (148.0 to 215.9 mm) ADF Height: 5.8 to 11.7 in. (148.0 to 297.0 mm)
Multiple Copies	Stacks or Sorts up to 99 pages
Reduce/Enlarge	25% to 400% (in increments of 1%)
Resolution	Up to 1200 × 600 dpi ¹
First Copy Out Time	Approx. 10.5 seconds

¹ When making a copy from the scanner glass in text quality mode at the 100% ratio.

Scan

Color/Monochrome	Yes
Duplex Scanning	Yes (DCP-8065DN only)
TWAIN Compliant	Yes (Windows® 98/98SE/Me/2000 Professional/XP/Windows NT® Workstation Version 4.0) Mac OS® 9.1 - 9.2/Mac OS® X 10.2.4 or greater
WIA Compliant	Yes (Windows® XP)
Color Depth	24 bit color
Resolution	Up to 19200 × 19200 dpi (interpolated) ¹ Up to 600 × 2400 dpi (optical) ²
Single-Sided Document Size	ADF Width: 5.8 to 8.5 in. (148.0 to 215.9 mm) ADF Height: 5.8 to 14 in. (148.0 to 355.6 mm) Scanner Glass Width: Max. 8.5 in. (215.9 mm) Scanner Glass Height: Max. 14 in. (355.6 mm)
2-Sided (Duplex) Document Size (DCP-8065DN only)	ADF Width: 5.8 to 8.5 in. (148.0 to 215.9 mm) ADF Height: 5.8 to 11.7 in. (148.0 to 297.0 mm)
Scanning Width	Max. 8.35 in. (212 mm)
Gray Scale	256 levels

¹ Maximum 1200 × 1200 dpi scanning with the WIA driver in Windows® XP (resolution up to 19200 × 19200 dpi can be chosen by using the Brother scanner utility)

² When using the scanner glass

Print

Emulation	PCL6 BR-Script (PostScript) Level 3 IBM® Proprinter XL Epson® FX-850™
Printer Driver	Brother GDI (Graphic Device Interface) printer driver support for Windows® 98/98SE/Me/2000 Professional/XP/Windows NT® Workstation Version 4.0 Brother Laser Driver for Mac OS® 9.1 - 9.2/Mac OS® X 10.2.4 or greater
Resolution	1200 dpi ¹ , HQ1200 (2400 × 600 dpi), 600 dpi, 300 dpi
Print Speed	Up to 30 pages/minute (Letter size) ²
Duplex Printing	Up to 13 sides/minute (6.5 pages) (DCP-8065DN only)
First Print	Less than 8.5 seconds

¹ If you use the high quality 1200 dpi setting (1200 × 1200 dpi) the print speed will be slower.

² From standard paper tray and optional paper tray.

Interfaces

Parallel	A bi-directional shielded parallel cable that is IEEE 1284 compliant and no longer than 6 feet (2.0 m).
USB	A USB 2.0 interface cable that is no longer than 6 feet (2.0 m). ¹
LAN cable	Ethernet UTP cable category 5 or greater.

¹ Your machine has a Hi-Speed USB 2.0 interface. The machine can also be connected to a computer that has a USB 1.1 interface.

Computer requirements

Minimum System Requirements and Supported PC Software Functions								
Computer Platform & Operating System Version		Supported PC Software Functions	PC Interface	Processor Minimum Speed	Minimum RAM	Recommended RAM	Available Hard Disk Space	
							For Drivers	For Applications
Windows® Operating System	98, 98SE	Printing, Scanning ³	Parallel, USB, Ethernet ⁴	Intel® Pentium® II or equivalent	32 MB	128 MB	90 MB	130 MB
	Me		Parallel, USB, Ethernet ⁴					
	NT® Workstation 4.0		Parallel, Ethernet ⁴					
	2000 Professional		Parallel, USB, Ethernet ⁴		64 MB	256 MB		
	XP Home ¹ XP Professional ¹		Parallel, USB, Ethernet ⁴		128 MB	256 MB	150 MB	220 MB
	XP Professional x64 bit Edition ¹		Parallel, USB, Ethernet ⁴		256 MB	512 MB	150 MB	220 MB
Apple® Macintosh® Operating System	OS 9.1 - 9.2	Printing, Scanning ²	USB ⁵ , Ethernet ⁴	All base models meet minimum requirements		64 MB	80 MB	200 MB
	OS X 10.2.4 or greater	Printing, Scanning ²	USB ⁵ , Ethernet ⁴		128 MB	160 MB		

¹ For WIA, 1200x1200 resolution. Brother Scanner Utility enables to enhance up to 19200 x 19200 dpi

² Dedicated "Scan to" key functions only in the Mac OS® X 10.2.4 or greater.

³ Network Scanning not supported in Windows NT® Workstation 4.0 and Mac OS® 9.1-9.2 [Scan to FTP is supported (DCP-8065DN only)]

⁴ DCP-8065DN only

⁵ Third party USB devices not supported.

Consumable items

Toner Cartridge Life	TN-550: Standard Toner Cartridge: Approx. 3,500 pages ¹
	TN-580: High-Yield Toner Cartridge: Approx. 7,000 pages ¹
Drum Unit Life Expectancy	DR-520: Approx. 25,000 pages

¹ When printing Letter or A4 size paper at 5% print coverage

Ethernet wired network (DCP-8065DN only)

Model name	NC-6400h
LAN	You can connect your machine to a network for Network Printing and Network Scanning.
Support for	Windows® 98/98SE/Me/2000/XP/Windows NT® Workstation Version 4.0 Mac OS® 9.1 - 9.2/Mac OS® X 10.2.4 or greater ¹
Protocols	IPv4 TCP/IP ARP, RARP, BOOTP, DHCP, APIPA (Auto IP), ICMP, WINS/NetBIOS, DNS, mDNS, LPR/LPD, Port/Port9100, NetBIOS Print, IPP, FTP Server, Telnet, SNMP, HTTP, TFTP, SMTP Client IPv6 TCP/IP ICMPv6, NDP, DNS, mDNS, LPR/LPD, Port/Port9100, IPP, FTP Server, Telnet, SNMP, HTTP, TFTP, SMTP Client
Network type	Ethernet 10/100 BASE-TX Auto Negotiation (Wired LAN)
Management utilities	BRAdmin Professional for Windows® 98/98SE/Me/2000/XP/Windows NT® Workstation Version 4.0 BRAdmin Light for Mac OS® X 10.2.4 or greater Web BRAdmin for Windows® 2000 Professional/Server/Advanced Server, XP Professional (IIS) ² Client computers with a web browser supporting Java™ ²

¹ Mac OS® 9.1 - 9.2 (Brother Laser Driver over TCP/IP)
Mac OS® X 10.2.4 or greater (mDNS)
Dedicated 'Scan' key and direct Network Scanning supported in Mac OS® X 10.2.4 or greater.

² Web BRAdmin is available as a download from <http://solutions.brother.com>

F

Glossary

ADF (automatic document feeder)

The document can be placed in the ADF and scanned one page at a time automatically.

Beeper Volume

Volume setting for the beep when you press a key or make an error.

Cancel Job

Cancels a print job and clears the printer memory.

Contrast

Setting to compensate for dark or light documents, by making copies of dark documents lighter and light documents darker.

Gray scale

The shades of gray available for copying photographs.

LCD (liquid crystal display)

The display screen on the machine that shows interactive messages during On-Screen Programming.

Menu mode

Programming mode for changing your machine's settings.

OCR (optical character recognition)

The bundled ScanSoft® Paper Port® or Presto!® PageManager® software application converts an image of text to text you can edit.

Resolution

The number of vertical and horizontal lines per inch.

Scanning

The process of sending an electronic image of a paper document into your computer.

Temporary settings

You can select certain options for each copy without changing the default settings.

User Settings List

A printed report that shows the current settings of the machine.

G

Index

A

Accessories and supplies	ii
ADF (automatic document feeder)	
using	10
ADF cover	62
Administrator password	21
Apple® Macintosh®	
See Software User's Guide on the CD-ROM.	

B

Brother	
accessories and supplies	ii
Brother numbers	i
Customer Service	i
FAQs (frequently asked questions)	i
fax back system	ii
product support	i
Warranties	iii, iv, vii

C

Cleaning	
corona wire	71
drum unit	72
laser scanner window	70
scanner glass	69
Control panel overview	2
ControlCenter2	
See Software User's Guide on the CD-ROM.	
Copy	
Contrast key	33
duplex	31
Enlarge/Reduce key	28
keys	26
multiple	26
N in 1 key (page layout)	28
poster	28
Quality key	27
single	26
Sort (ADF only)	33
temporary settings	26
Tray Select key	34
using ADF	26

D

Drum unit	
checking (remaining life)	80
cleaning	71, 72
replacing	76
Duplex key (2-sided copying)	31, 32

E

Enlarge/Reduce key	28
Envelopes	13, 15
Error messages on LCD	59
No Paper Fed	60
Out of Memory	60
Unable to Init.	61
Unable to Print	61
Unable to Scan	61

F

Folio	13, 17
-------------	--------

G

Gray scale	94
------------------	----

H

HELP	
LCD messages	81
using menu keys	81
Menu Table	81

J

Jams	
document	62
paper	62
Job Cancel key	7

L

Labels	13, 15
LCD (liquid crystal display)	81
contrast	20

M

Machine information	
page counters	80
remaining life of parts	80
serial number	80
Macintosh®	
See Software User's Guide on the CD-ROM.	
Maintenance, routine	68
replacing	
drum unit	76
toner cartridge	73, 74
Memory	
adding DIMM (option)	49
installing	50
Memory Storage	81
Menu Table	81
using menu keys	81

N

Network	
Printing	
See Network User's Guide on the CD-ROM.	
Scanning	
See Software User's Guide on the CD-ROM.	

O

Out of Memory message	34
-----------------------------	----

P

Packing and shipping the machine	79
Page layout (N in 1 key)	28
Paper	11, 92
how to load	14
size of document	10
type	17
PaperPort®	
See Software User's Guide and Network User's Guide on the CD-ROM.	
Poster	28
Power failure	81

Print	
drivers	95
Job Cancel key	7
paper jams	63
quality	55
resolution	95
Secure key	7
specifications	95
Printing	
See Software User's Guide on the CD-ROM.	
Programming your machine	81

Q

Quality key (copying)	26
-----------------------------	----

R

Reducing copies	28
Resolution	
copy	93
print	95
scan	94
Restricted users	22

S

Safety Instructions	45
Scanner glass, using	11
Scanning	
See Software User's Guide on the CD-ROM.	
Secure Function Lock	21
Secure key	7
Security	
Secure Function Lock	21
Public user	22
restricted users	22
Shipping the machine	79
Sleep Time	19
Sort key	33
Status LED	8

T

Text, entering	89
Toner cartridge	
replacing	73, 74
Transparencies	13, 14
Tray Select key	34
Tray use, setting	
copy	18
print	18
Troubleshooting	51
document jam	62
error messages on LCD	59
if you are having difficulty	
copy quality	51
Network	54
paper handling	53
print quality	53
printing	51
scanning	52
software	52
paper jam	63

V

Volume, setting	
beeper	19

W

Warranties	iii
Canada	vii
Notice-Disclaimer	iii
USA	iv
Windows®	
See Software User's Guide on the CD-ROM.	
World Wide Web	i

EQUIPMENT ATTACHMENT LIMITATIONS

(Canada only)

NOTICE

This Product meets the applicable industry Canada technical specifications.

Brother International Corporation
100 Somerset Corporate Boulevard
P.O. Box 6911
Bridgewater, NJ 08807-0911 USA

Brother International Corporation (Canada) Ltd.
1 rue Hôtel de Ville,
Dollard-des-Ormeaux, QC, Canada H9B 3H6

brother[®]

**Visit us on the World Wide Web
<http://www.brother.com>**

These machines are made for use in the USA and Canada only. We cannot recommend using them overseas because the power requirements of your Digital Copier / Printer may not be compatible with the power available in foreign countries. **Using USA or Canada models overseas is at your own risk and may void your warranty.**

USA/CAN