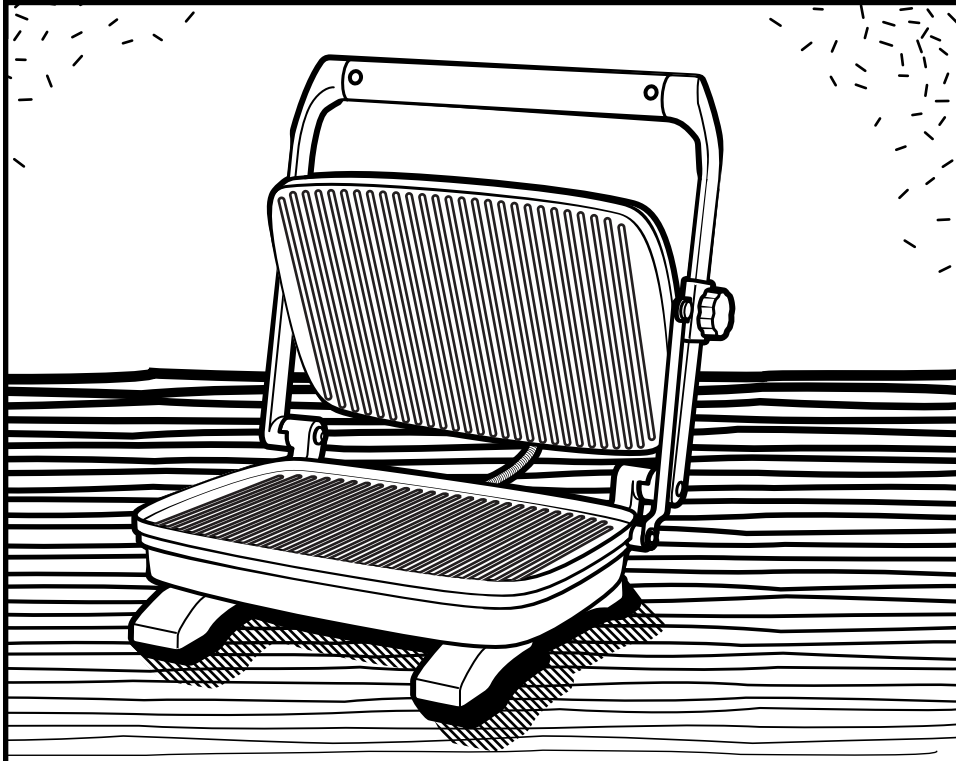


Hamilton Beach®

Panini Press



Important Safeguards	2
Know Your Panini Press.	3
Operating Instructions	4
Cleaning	5
Recipes	6
Customer Service	12

In USA: 1-800-851-8900
In Canada: 1-800-267-2826

IMPORTANT SAFEGUARDS

When using electrical appliances, basic safety precautions should always be followed including the following:

1. Read all instructions.
2. Do not touch hot surfaces. Use handles or knobs.
3. To protect against risk of electrical shock, do not immerse appliance, cord or plug in water or other liquid.
4. Close supervision is necessary when any appliance is used by or near children.
5. Unplug from outlet when not in use and before cleaning. Allow to cool before putting on or taking off parts, and before cleaning the appliance.
6. Do not operate any appliance with a damaged cord or plug, or after the appliance malfunctions or is dropped or damaged in any manner. Call our toll-free customer service number for information on examination, repair, or adjustment.
7. Do not use outdoors.
8. The use of accessory attachments not recommended by Hamilton Beach/Proctor-Silex, Inc. may cause injuries or damage to the unit.
9. Do not let cord hang over edge of table or counter, or touch hot surfaces, including stove.
10. Do not place on or near a hot gas or electric burner, or in a heated oven.
11. Extreme caution must be used when moving an appliance containing hot oil or other hot liquids.
12. Do not use appliance for other than intended purpose.

SAVE THESE INSTRUCTIONS!

Consumer Safety Information

This appliance is intended for household use only.

This appliance is equipped with a grounded-type 3-wire cord (3-prong plug). This type of plug will only fit into an electrical outlet made for a 3-prong plug. This is a safety feature intended to help reduce the risk of electrical shock. If the plug should fail to fit contact a qualified electrician to replace the obsolete outlet. Do not attempt to defeat the safety purpose of the grounding pin by modifying the plug in any way.

To reduce risk of electrical shock, do not immerse the unit in water.

To avoid an electrical circuit overload do not use another high wattage appliance on the same circuit with the panini press.

The length of the cord used on this appliance was selected to reduce the hazards of becoming tangled in, or tripping over a longer cord. If a longer cord is necessary an approved grounded extension cord may be used. The electrical rating of the extension cord must be equal to or greater than the rating of the unit. Care must be taken to arrange the extension cord so that it will not drape over the countertop or tabletop where it can be pulled on by children or accidentally tripped over.

An extension cord should be connected to the appliance first, before it is plugged into the outlet.

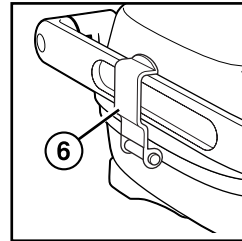
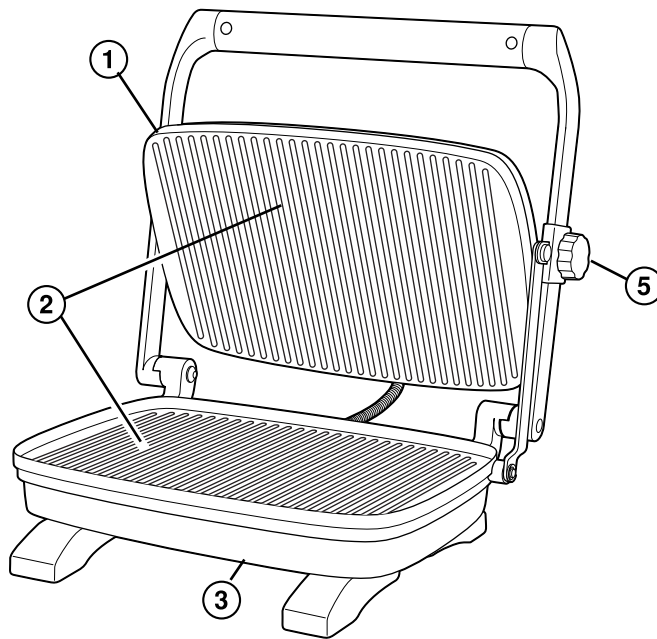
Always use a hot mitt to protect hand when opening the panini press.

CAUTION: Escaping steam may cause burns.

Know Your Panini Press

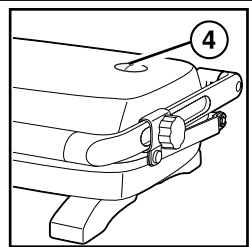
Parts and Features

- | | |
|-------------------------------------|-------------------------|
| 1. Cover | 5. Cover Lock |
| 2. Nonstick Cooking Surfaces | 6. Storage Latch |
| 3. Base | |
| 4. Indicator Lights | |



Indicator Lights:

Your panini press features two indicator lights. Red indicates that power is on. Green indicates that the unit is pre-heated and ready to use.



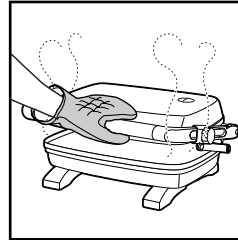
Operating Instructions

BEFORE FIRST USE: Please wash the cooking surfaces of the panini press as instructed under "Cleaning."

1. Plug into 120 volt AC outlet.
2. Preheat sandwich press for 6 minutes. The red light comes on and remains lit as long as the panini press is plugged into an outlet. Once the unit has reached the proper temperature, the green light will come on. Keep cover closed.
3. When preheated, raise cover. Place food to be cooked onto cooking surface and lower cover to desired height. Lock the cover at the desired height by turning the locking knob, if desired.

IMPORTANT: Exterior surfaces become hot during cooking!

4. Unlock the cover, then use a hot mitt



and carefully lift cover and check food to see if cooked to desired doneness. Do not cut food on non-stick cooking

surface. If additional cooking time is needed, lower cover.

5. When food is cooked to desired doneness, remove the food and unplug the sandwich press. Let cool before cleaning.

Panini Press Tips

- **ALWAYS PREHEAT THE PANINI PRESS 6 MINUTES BEFORE USING.**
- Read the Use & Care Guide before using the sandwich press.
- Use vegetable cooking spray for convenient, stick-free cooking. Or if you prefer, brush cooking surfaces with vegetable oil before preheating.
- Use plastic utensils on the nonstick cooking surfaces. Do not use metal utensils as they will damage the non-stick surface.
- Thicker sandwiches may shift when being pressed. Use a plastic spatula to reposition. Place sandwich in center of press.
- Use caution when pushing down on the handle, as unit may tip forward and could burn your hand.
- When a recipe calls for fruit, lock the cover in place above the fruit so that it heats but does not contact the fruit.
- There is no need to press down on the handle. The weight of the cover will grill the top of the sandwich.
- Cleanup is easy! Let sandwich press cool down. Wipe cooking surfaces with damp paper towel or dish cloth.

Cleaning

1. Unplug panini press from electrical outlet and allow to cool.
2. Wipe cooking surfaces with a paper towel to remove drippings.
3. Use plastic spatula to scrape away cooked-on food or grease.
4. Use a damp sponge with a small amount of dishwashing detergent to scrub cooking surfaces. See
5. Do not use steel wool or any type of abrasive cleaner to clean the panini press, as it will damage the nonstick cooking surface and void the warranty.
6. Use a clean, damp cloth to wipe clean the outside of panini press.
7. The unit can be stored with the lid

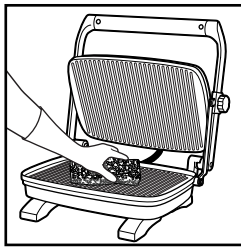
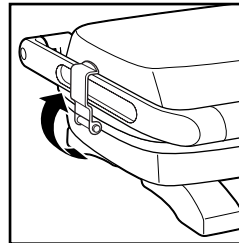


illustration. Rinse out sponge and wipe surfaces clean. Use a clean, damp cloth to wipe surfaces again.



latch locked, sitting upright on the hinge side.

DO NOT IMMERSE THE UNIT IN WATER. DO NOT CLEAN THE UNIT IN THE DISHWASHER.

Recipes

NOTE: The panini press is not intended for cooking raw meats.

What is panini? Panini sandwiches are an Italian classic. These grilled stuffed sandwiches offer unlimited possibilities, both as a lunch time treat and anytime.

Popular Bread Types

Bread sizes and shapes vary by bakery and region. It may be necessary to adapt sandwich press recipes to fit the number of bread slices that can be cooked at one time.

Baguette

A crisp-crustured French bread formed in a long, narrow loaf, typically about 3 inches wide and 15 inches long.

French Bread

A light, crusty, yeast bread made with water. French bread is available in many different shapes.

Italian Bread

A bread that is similar to French bread, but the loaves are typically shorter and plumper.

Sourdough Bread

A bread with a slightly sour, tangy flavor from the leavening that has a special yeast starter.

Turkey Club

8 ½" thick slices Italian bread
¼ lb. deli turkey slices,
divided into 4 servings
½ cup BBQ sauce
8 slices tomato

8 bacon strips, cooked
4 slices cheddar cheese
½ cup sautéed onions (optional)
Olive oil

Preheat panini press. Spread olive oil on one side of each slice of bread.

Place 4 slices of bread, oil side down, on the panini press. Place turkey, 2 slices of tomatoes, 2 strips of bacon, one piece of cheddar cheese, 2 tablespoon sautéed onions, and BBQ sauce on each slice of bread. Cover with remaining 4 slices of bread, olive oil side up. Close panini press. Cook 3 to 5 minutes or until desired brownness.

Makes 4 sandwiches.

Red Peppers and Goat Cheese

8 ½" thick slices French bread	1 tablespoon parsley
4 oz. goat cheese	1 tablespoon basil
3 scallions, finely chopped	1 teaspoon garlic, rinsed
1 cup roasted red peppers, divided into 4 servings	Olive oil

Prepare goat cheese spread by mixing goat cheese, scallions, parsley, basil, and garlic. Preheat panini press. Spread olive oil on one side of each slice of bread. Place 4 slices of bread, oil side down, on the panini press. Spread prepared goat cheese and roasted red peppers on each bread slice. Cover with remaining 4 slices of bread, olive oil side up. Close panini press. Cook 3 to 5 minutes or until desired brownness.

Makes 4 sandwiches.

Reuben

8 ½" thick slices sourdough bread	4 slices Swiss cheese
½ lb. prepared corned beef, divided into four servings	Olive oil
½ cup sauerkraut	

Preheat panini press. Spread olive oil on one side of each slice of bread. Place 4 slices of bread, oil side down, on the panini press. Place corned beef, 2 tablespoons sauerkraut, and 1 slice of Swiss cheese on each slice of bread. Cover with remaining 4 slices of bread, olive oil side up. Close panini press. Cook 3 to 5 minutes or until desired brownness.

Makes 4 sandwiches.

Reuben Twist

8 ½" thick slices sourdough bread	4 slices Swiss cheese
½ lb. deli turkey slices, divided into four servings	Olive oil
½ cup coleslaw	

Preheat panini press. Spread olive oil on one side of each slice of bread. Place 4 slices of bread, oil side down, on the panini press. Place turkey, 2 tablespoons coleslaw, and 1 slice of Swiss cheese on each slice of bread. Cover with remaining 4 slices of bread, olive oil side up. Close panini press. Cook 3 to 5 minutes or until desired brownness.

Makes 4 sandwiches.

Chicken Pesto

8 ½" thick slices Italian bread	1 cup spinach
½ lb. chicken breast strips, cooked divided into four servings	8 slices tomato
4 tablespoons pesto sauce	4 slices provolone cheese
	Olive oil

Preheat panini press. Spread olive oil on one side of each slice of bread. Place 4 slices of bread, oil side down, on the panini press. Place chicken, 1 tablespoon pesto sauce, ¼ cup spinach, 2 slices tomato, and 1 slice provolone cheese on each slice of bread. Cover with remaining 4 slices of bread, olive oil side up. Close panini press. Cook 3 to 5 minutes or until desired brownness.

Makes 4 sandwiches.

Italian Beef

8 ½" thick slices Italian bread	4 slices cheddar cheese
½ lb. deli roast beef, divided into four servings	8 red pepper rings
½ cup sautéed onions	½ cup Italian salad dressing
½ cup sliced mushrooms	Olive oil

Preheat panini press. Spread olive oil on one side of each slice of bread. Place 4 slices of bread, oil side down, on the panini press. Place roast beef, 2 tablespoons sautéed onions, 2 tablespoons sliced mushrooms, 1 slice cheese, 2 red pepper rings, and 2 tablespoons Italian salad dressing on each slice of bread. Cover with remaining 4 slices of bread, olive oil side up. Close panini press. Cook 3 to 5 minutes or until desired brownness.

Makes 4 sandwiches.

Italian Hero

8 ½" thick slices Italian bread	4 slices provolone cheese
¼ lb. deli ham, divided into four servings	8 green pepper rings
¼ lb. deli salami, divided into four servings	8 slices tomato
¼ lb. deli turkey, divided into four servings	Olive oil

Preheat panini press. Spread olive oil on one side of each slice of bread. Place 4 slices of bread, oil side down, on the panini press. Place ham, salami, turkey, 1 slice provolone cheese, 2 green pepper rings, and 2 slices tomato on each slice of bread. Cover with remaining 4 slices of bread, olive oil side up. Close panini press. Cook 3 to 5 minutes or until desired brownness.

Makes 4 sandwiches.

Prosciutto and Mozzarella

8 ½" thick slices Italian bread	4 slices mozzarella cheese
¼ lb. prosciutto, divided into four servings	Olive oil
4 moist sun-dried tomatoes, chopped, divided into four servings	

Preheat panini press. Spread olive oil on one side of each slice of bread. Place 4 slices of bread, oil side down, on the panini press. Place prosciutto, 1 slice mozzarella cheese, and sun-dried tomato on each slice of bread. Cover with remaining 4 slices of bread, olive oil side up. Close panini press. Cook 3 to 5 minutes or until desired brownness.

Makes 4 sandwiches.

Chicken and Feta

8 ½" thick slices French bread	8 tablespoons feta cheese
½ lb. cooked chicken strips, divided into four servings	Olive oil
2 cups Romaine lettuce, chopped	

Preheat panini press. Spread olive oil on one side of each slice of bread. Place 4 slices of bread, oil side down, on the panini press. Place chicken, ½ cup Romaine lettuce, and 2 tablespoons feta cheese on each slice of bread. Cover with remaining 4 slices of bread, olive oil side up. Close panini press. Cook 3 to 5 minutes or until desired brownness.

Makes 4 sandwiches.

Fontina

8 ½" thick slices French bread	½ cup roasted red peppers, sliced
4 slices fontina, cut to fit bread	Olive oil
½ cup mushrooms, sliced	

Preheat panini press. Spread olive oil on one side of each slice of bread. Place 4 slices of bread, oil side down, on the panini press. Place 1 slice fontina, 2 tablespoons mushrooms, and 2 tablespoons roasted red peppers on each slice of bread. Cover with remaining 4 slices of bread, olive oil side up. Close panini press. Cook 3 to 5 minutes or until desired brownness.

Makes 4 sandwiches.

Chicken Quesadilla

4 flour tortillas
 2 cups chicken, cooked and chopped,
 divided into four servings
 ½ cup cheddar cheese, shredded

Preheat panini press. Fold tortilla in half. Place on panini press. Insert chicken and 2 tablespoons cheese in tortilla. Close panini press. Cook 2 to 3 minutes or until cheese melts. Remove from press and cut into 3 triangles. Repeat with remaining ingredients.

Makes 4 quesadillas.

Quick Pizza

1 can refrigerator pizza crust	24 slices pepperoni (optional)
1 cup pizza sauce	8 green pepper rings (optional)
1 cup mozzarella cheese, shredded	4 fresh mushrooms, sliced (optional)

Preheat panini press. Open refrigerator pizza crust and cut into four oblong pieces. Place 1 piece of pizza crust onto panini press. Close panini press. Cook 1 to 2 minutes. Open press and top crust with pizza sauce, mozzarella cheese, and optional toppings. Lower top of panini press and lock hinge to rest above pizza. Cook for 2 to 3 minutes, or until cheese melts. Repeat with remaining ingredients.

Makes 4 servings.

Easy Fruit Turnovers

1 can refrigerator crescent rolls
 1 can fruit pie filling
 ½ cup sugar
 1 teaspoon cinnamon

Preheat panini press. Open refrigerator crescent rolls and cut into four oblong pieces. Place 1 piece of dough onto panini press. Close panini press. Cook 1 to 2 minutes. Open press and top with fruit pie filling. Lower top of panini press and lock cover to rest above turnover. Cook for 2 to 3 minutes to warm fruit. Repeat with additional dough and pie filling. Combine sugar and cinnamon, and sprinkle over turnovers. Cut turnovers in half.

Makes 8 servings.

Pound Cake and Fruit

- 4 ½" thick slices pound cake
- 4 tablespoons hazelnut spread
or prepared frosting
- 1 cup sliced fresh fruit, divided into
four servings

Preheat panini press. Place four slices of pound cake on panini press. Add 1 tablespoon hazelnut spread or frosting and fresh fruit. Lower top of panini press and lock cover to rest above fruit. Cook 1 to 2 minutes to warm fruit and cake.

Makes 4 servings.

Bananas and Peanut Butter

- 4 ¾" thick slices banana bread
- 4 tablespoons peanut butter
- 1 banana, sliced, divided into
four servings

Preheat panini press. Place four slices of banana bread on panini press. Add 2 tablespoons peanut butter and banana slices. Lower top of panini press and lock cover to rest above fruit. Cook 1 to 2 minutes to warm fruit and banana bread.

Makes 4 servings.

Customer Service

If you have a question about your panini press, call our toll-free customer service number. Before calling, please note the model, type, and series numbers and fill in that information below. These numbers can be found on the bottom of your panini press. This information will help us answer your question much more quickly.

MODEL: _____ **TYPE:** _____ **SERIES:** _____

LIMITED WARRANTY

This product is warranted to be free from defects in material and workmanship for a period of two (2) years for Hamilton Beach Portfolio products or one (1) year for Hamilton Beach products from the date of original purchase, except as noted below. During this period, we will repair or replace this product, at our option, at no cost. THE FOREGOING WARRANTY IS IN LIEU OF ANY OTHER WARRANTY, WHETHER EXPRESS OR IMPLIED, WRITTEN OR ORAL INCLUDING ANY WARRANTY OF MERCHANTABILITY OR FITNESS FOR A PARTICULAR PURPOSE. ANY LIABILITY IS EXPRESSLY LIMITED TO AN AMOUNT EQUAL TO THE PURCHASE PRICE PAID, AND ALL CLAIMS FOR SPECIAL, INCIDENTAL AND CONSEQUENTIAL DAMAGES ARE HEREBY EXCLUDED. There is no warranty with respect to the following, which may be supplied with this product: glass parts, glass containers, cutter/strainer, blades, and/or agitators. This warranty extends only to the original consumer purchaser and does not cover a defect resulting from abuse, misuse, neglect, use for commercial purposes, or any use not in conformity with the printed directions. This warranty gives you specific legal rights, and you may also have other legal rights which vary from state to state, or province to province. Some states or provinces do not allow limitations on implied warranties or special, incidental or consequential damages, so the foregoing limitations may not apply to you.

If you have a claim under this warranty, DO NOT RETURN THE APPLIANCE TO THE STORE! Please call our CUSTOMER SERVICE NUMBER. (For faster service please have model, series, and type numbers ready for operator to assist you.)

CUSTOMER SERVICE NUMBERS

In the U.S. 1-800-851-8900

In Canada 1-800-267-2826

Web site address: www.hamiltonbeach.com

KEEP THESE NUMBERS FOR FUTURE REFERENCE!

HAMILTON BEACH ♦ PROCTOR-SILEX, INC.

PROCTOR-SILEX CANADA, INC.

263 Yadkin Road Southern Pines, North Carolina 28387

Picton, Ontario K0K 2T0

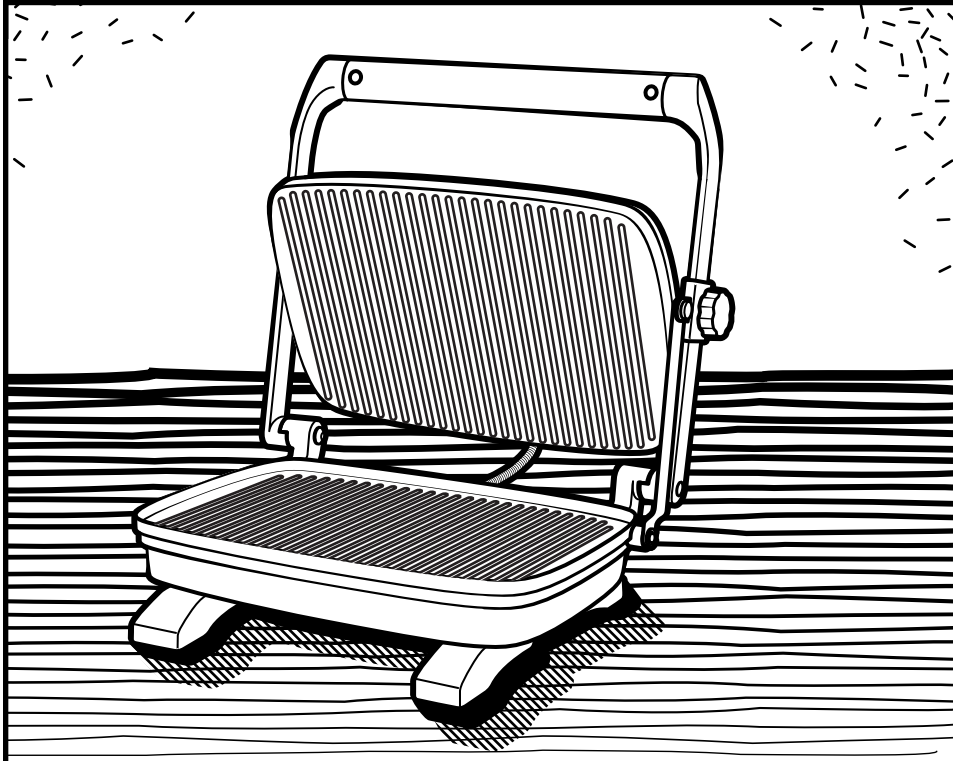
840111000

Web site address: www.hamiltonbeach.com

3/03

Hamilton Beach®

Presse-panini



Précautions importantes	2
Familiarisez-vous avec votre presse-panini	3
Instructions d'utilisation	4
Nettoyage	5
Recettes	6
Service à la clientèle	12

Aux É.-U. : 1-800-851-8900
Au Canada : 1-800-267-2826

PRÉCAUTIONS IMPORTANTES

Lors de l'utilisation d'appareils électroménagers, des précautions de sécurité fondamentales doivent toujours être observées, y compris ce qui suit :

1. Lire toutes les instructions.
2. Ne pas toucher aux surfaces chaudes.
Utiliser les poignées ou les boutons.
3. Afin de vous prémunir contre le risque de choc électrique, ne pas immerger l'appareil, le cordon ou la fiche dans l'eau ou tout autre liquide.
4. Il est nécessaire de surveiller attentivement les enfants lorsque ceux-ci utilisent l'appareil ou se trouvent à proximité de celui-ci.
5. Débrancher le presse-panini de la prise de courant lorsque vous ne l'utilisez pas et avant le nettoyage. Laisser l'appareil refroidir avant d'enlever ou de remettre des pièces en place et avant de le nettoyer.
6. Ne pas faire fonctionner un appareil avec un cordon ou une fiche endommagé(e), ou lorsque l'appareil ne fonctionne pas bien, est tombé ou a été endommagé d'une manière quelconque. Composer notre numéro sans frais de service à la clientèle pour des renseignements concernant l'examen, la réparation ou le réglage.
7. Ne pas utiliser à l'extérieur.
8. L'utilisation de tout accessoire non recommandé par Hamilton Beach/Proctor-Silex, Inc., peut causer des blessures ou endommager l'appareil.
9. Ne pas laisser le cordon pendre au bord d'une table ou d'un comptoir ou entrer en contact avec une surface chaude, y compris la cuisinière.
10. Ne pas placer l'appareil sur un brûleur à gaz ou électrique chaud ou dans un four chauffé, ni à proximité de ceux-ci.
11. Une extrême prudence s'impose lors du déplacement d'un appareil contenant de l'huile chaude ou tout autre liquide chaud.
12. N'utiliser cet appareil qu'aux fins auxquelles il a été conçu.

CONSERVER CES INSTRUCTIONS !

Renseignements de sécurité aux consommateurs

Cet appareil est conçu uniquement pour l'usage domestique.

Cet appareil est muni d'un cordon comportant 3 fils et d'une fiche polarisée (à 3 broches). Ce type de fiche s'adapte uniquement sur une prise électrique pour fiche à 3 broches. Il s'agit d'une caractéristique de sécurité visant à réduire le risque de choc électrique. Si la fiche ne peut pas être insérée dans la prise, contacter un électricien qualifié pour qu'il remplace la prise défectueuse. Ne pas essayer de contourner l'objectif de sécurité de la fiche polarisée en la modifiant de quelque manière que ce soit.

Afin de réduire le risque de choc électrique, ne pas plonger l'appareil dans l'eau.

Pour éviter une surcharge du circuit électrique, ne pas utiliser un autre appareil à haute tension sur le même circuit que le presse-panini.

La longueur du cordon utilisé avec cet appareil a été sélectionnée pour réduire les risques d'emmêlement et de trébuchement sur un cordon plus long. Si l'on a besoin d'un cordon plus long, on peut utiliser une rallonge approuvée. Le calibre de la rallonge doit être égal ou supérieur au calibre de l'appareil. La rallonge doit être installée avec précaution pour éviter qu'elle ne tombe sur le comptoir ou la table car des enfants peuvent tirer dessus ou trébucher accidentellement.

La rallonge doit être connectée à l'appareil en premier avant de la brancher dans la prise.

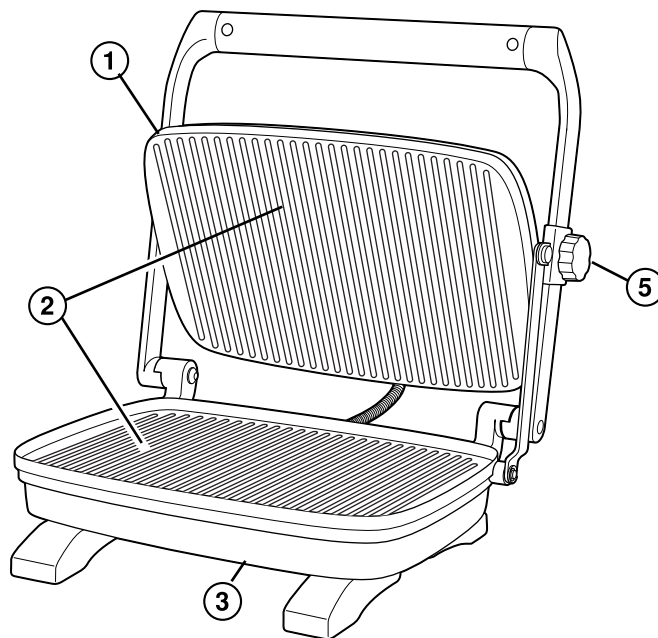
Toujours utiliser des mitaines de four pour se protéger les mains avant d'ouvrir le presse-panini.

MISE EN GARDE : La vapeur qui s'échappe de l'appareil peut causer des brûlures.

Familiarisez-vous avec votre presse-panini

Pièces et caractéristiques

- | | |
|--------------------------------------|------------------------|
| 1. Couvercle | 5. Verrou de couvercle |
| 2. Surfaces de cuisson antiadhésives | 6. Loquet de rangement |
| 3. Base | |
| 4. Témoins lumineux | |

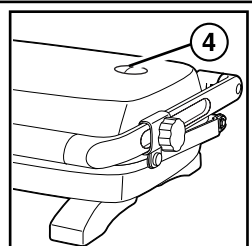


Témoins lumineux :

Votre presse-panini est muni de deux témoins lumineux.

Le rouge indique que l'appareil est en marche.

Le vert indique que l'appareil est préchauffé et qu'il est prêt à être utilisé.



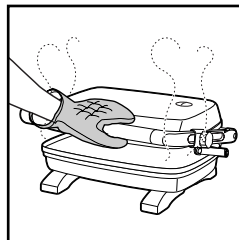
Instructions de fonctionnement

AVANT LA PREMIÈRE UTILISATION : Veuillez laver les surfaces de cuisson de l'appareil selon les instructions à la section « Nettoyage ».

1. Brancher l'appareil dans une prise de 120 V CA.
2. Préchauffer le presse-panini pendant 6 minutes. Le témoin rouge s'allume et reste allumé tant que le presse-panini est branché dans une prise. Le témoin vert s'allume dès que l'appareil atteint la température convenable. Garder le couvercle fermé.
3. Soulever le couvercle lorsque l'appareil est préchauffé. Placer les aliments à cuire sur la surface de cuisson et baisser le couvercle à la hauteur désirée. Verrouiller le couvercle à la hauteur désirée en tournant le bouton de verrouillage, si désiré.

IMPORTANT : Les surfaces externes chauffent durant la cuisson!

4. Ouvrir le couvercle, puis, à l'aide de



mitaines de four, soulever soigneusement le couvercle et vérifier si les aliments sont cuits tel que désiré. Ne pas découper les

aliments sur la surface de cuisson antiadhésive. Si une cuisson prolongée est nécessaire, baisser le couvercle.

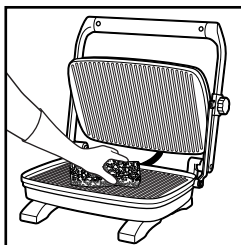
5. Lorsque les aliments sont cuits tel que désiré, les retirer et débrancher le presse-panini. Laisser l'appareil refroidir avant de le nettoyer.

Conseils pour le presse-panini

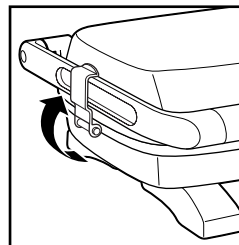
- **TOUJOURS PRÉCHAUFFER LE PRESSE-PANINI PENDANT 6 MINUTES AVANT DE L'UTILISER.**
- Lire le Guide d'utilisation et d'entretien avant d'utiliser le presse-panini.
- Utiliser de l'enduit en aérosol à base d'huile végétale pour que les aliments cuisent facilement sans coller. Ou bien, badigeonner les surfaces de cuisson avec de l'huile végétale avant le préchauffage.
- Utiliser des ustensiles en plastique sur les surfaces de cuisson antiadhésives. Ne pas utiliser des ustensiles métalliques qui pourraient endommager la surface antiadhésive.
- Les sandwichs plus épais pourraient se déplacer lorsqu'ils sont placés dans le presse-panini. Utiliser une spatule en plastique pour les remettre en position. Placer le sandwich au centre de l'appareil.
- Appuyer sur la poignée avec précaution car l'appareil pourrait s'incliner vers l'avant et vous pourriez vous brûler la main.
- Lorsqu'une recette comporte un fruit, verrouiller le couvercle en place juste au-dessus du fruit pour qu'il réchauffe celui-ci sans le toucher.
- Il n'est pas nécessaire d'appuyer sur la poignée. Le poids du couvercle suffit pour faire griller le dessus du sandwich.
- Le nettoyage est facile! Laisser refroidir le presse-panini. Essuyer les surfaces de cuisson avec un essuie-tout ou un linge à vaisselle humide.

Nettoyage

1. Débrancher le presse-panini de la prise de courant électrique et laisser refroidir.
2. Essuyer les surfaces de cuisson avec un essuie-tout pour enlever les gouttes.
3. Utiliser une spatule en plastique pour gratter les graisses et traces d'aliments cuits.
4. Frotter les surfaces de cuisson avec
5. Ne pas utiliser de laine d'acier et de nettoyant abrasif pour nettoyer le presse-panini car ceux-ci pourraient endommager la surface antiadhésive et annuler la garantie.
6. Utiliser un chiffon propre et humide pour bien essuyer l'extérieur du presse-panini.
7. L'appareil peut être rangé avec



une éponge humide et un peu de détergent à vaisselle liquide. Voir l'illustration. Rincer l'éponge et bien essuyer les surfaces. Essuyer les surfaces à nouveau avec un linge propre et humide.



le loquet du couvercle verrouillé, en position verticale du côté de la charnière.

NE PAS PLONGER L'APPAREIL DANS L'EAU. NE PAS LAVER L'APPAREIL AU LAVE-VAISSELLE.

Recettes

REMARQUE : Le presse-panini n'est pas conçu pour la cuisson de viandes crues.

Qu'est-ce qu'un panini ? Les sandwiches panini sont un classique de la cuisine italienne. Ces sandwiches garnis et grillés offrent des possibilités illimitées, au déjeuner et à tout autre moment.

Genres de pains populaires

Les grandeurs et les formes de pains varient selon les boulangeries et les régions. Il peut être nécessaire d'ajuster les recettes du presse-sandwich en fonction du nombre de tranches de pain qui peuvent être grillées à la fois.

Baguette

Pain français à croûte de forme allongée et étroite mesurant en général 3 po de large et 15 po de long.

Pain français

Pain léger et croustillant à base de levure et d'eau. Le pain français se présente sous différentes formes.

Pain italien

Pain qui ressemble au pain français mais dont la miche est en général de forme plus courte et plus grosse.

Pain au levain

Un pain ayant un goût légèrement acide et savoureux qui provient d'un levain spécial.

Sandwich Club à la dinde

8 tranches de pain italien de ½ po d'épaisseur
¼ lb de dinde en tranches, divisée en 4 portions
½ tasse de sauce barbecue
8 tranches de tomate

8 tranches de bacon cuit
4 tranches de fromage cheddar
½ tasse d'oignons sautés (facultatif)
Huile d'olive

Préchauffer le presse-panini. Badigeonner d'huile d'olive un seul côté de chaque tranche de pain. Poser 4 tranches de pain sur le presse-panini, côté huilé vers le bas. Placer les tranches de dinde, 2 tranches de tomate, 2 tranches de bacon, une tranche de fromage cheddar, 2 c. à table d'oignons sautés, et de la sauce barbecue sur chaque tranche de pain. Couvrir avec les 4 tranches de pain restantes, côté huilé vers le haut. Fermer le presse-panini. Faire cuire pendant 3 à 5 minutes ou jusqu'au degré désiré de cuisson.

Donne 4 sandwiches.

Poivrons rouges et fromage de chèvre

8 tranches de pain français de ½ po d'épaisseur	1 c. à table de persil
4 oz de fromage de chèvre	1 c. à table de basilic
3 oignons verts finement hachés	1 c. à thé d'ail émincé rincé
1 tasse de poivrons rouges grillés, divisés en 4 portions	Huile d'olive

Pour apprêter la préparation au fromage de chèvre, mélanger le fromage, les oignons verts, le persil, le basilic et l'ail. Préchauffer le presse-panini. Badigeonner d'huile d'olive un seul côté chaque tranche de pain. Poser 4 tranches de pain sur le presse panini, côté huilé vers le bas. Étaler la préparation au fromage de chèvre et poser les poivrons rouges sur chaque tranche de pain. Couvrir avec les 4 autres tranches de pain, côté huilé vers le haut. Fermer le presse-panini. Faire cuire pendant 3 à 5 minutes ou jusqu'au degré désiré de cuisson.

Donne 4 sandwiches.

Sandwich Reuben

8 tranches de pain au levain de ½ po d'épaisseur	4 tranches de fromage suisse
½ lb de boeuf salé en tranches, divisé en 4 portions	Huile d'olive
½ tasse de choucroute	

Préchauffer le presse-panini. Badigeonner d'huile d'olive un seul côté de chaque tranche de pain. Placer 4 tranches de pain sur le presse-panini, côté huilé vers le bas. Poser le bœuf salé, 2 c. à table de choucroute et 1 tranche de fromage suisse sur chaque tranche de pain. Couvrir avec les 4 autres tranches de pain, côté huilé vers le haut. Fermer le presse-panini. Faire cuire pendant 3 à 5 minutes ou jusqu'au degré désiré de cuisson.

Donne 4 sandwiches.

Reuben Twist

8 tranches de pain au levain de ½ po d'épaisseur	4 tranches de fromage suisse
½ lb de dinde en tranches, divisée en 4 portions	Huile d'olive
½ tasse de salade de chou	

Préchauffer le presse-panini. Badigeonner d'huile d'olive un seul côté de chaque tranche de pain. Placer 4 tranches de pain sur le presse-panini, côté huilé vers le bas. Poser les tranches de dinde, 2 c. à table de salade de chou, et 1 tranche de fromage suisse sur chaque tranche de pain. Couvrir avec les 4 autres tranches de pain, côté huilé vers le haut. Fermer le presse-panini. Faire cuire pendant 3 à 5 minutes, ou jusqu'au degré désiré de cuisson.

Donne 4 sandwiches.

Poulet au pesto

8 tranches de pain italien de ½ po d'épaisseur	1 tasse d'épinards
½ lb de filets de poitrine de poulet cuits, divisés en 4 portions	8 tranches de tomate
4 c. à table de pesto	4 tranches de fromage provolone
	Huile d'olive

Préchauffer le presse-panini. Badigeonner d'huile d'olive un seul côté de chaque tranche de pain. Placer 4 tranches de pain sur le presse-panini, côté huilé vers le bas. Poser les morceaux de poulet, 1 c. à table de pesto, ¼ de tasse d'épinards, 2 tranches de tomate et 1 tranche de provolone sur chaque tranche de pain. Couvrir avec les 4 autres tranches de pain, côté huilé vers le haut. Fermer le presse-panini. Faire cuire pendant 3 à 5 minutes, ou jusqu'au degré désiré de cuisson.

Donne 4 sandwiches.

Bœuf à l'italienne

8 tranches de pain italien de ½ po d'épaisseur	4 tranches de fromage cheddar
½ lb de rôti de boeuf en tranches, divisé en 4 portions	8 rondelles de poivron rouge
½ tasse d'oignons sautés	½ tasse de vinaigrette à l'italienne
½ tasse de champignons tranchés	Huile d'olive

Préchauffer le presse-panini. Badigeonner d'huile d'olive un seul côté de chaque tranche de pain. Placer 4 tranches de pain sur le presse-panini, côté huilé vers le bas. Poser les tranches de rôti de boeuf, 2 c. à table d'oignons sautés, 2 c. à table de champignons tranchés, 1 tranche de fromage, 2 rondelles de poivron rouge et 2 c. à table de vinaigrette à l'italienne sur chaque tranche de pain. Couvrir avec les 4 autres tranches de pain, côté huilé vers le haut. Fermer le presse-panini. Cuire pendant 3 à 5 minutes, ou jusqu'au degré désiré de cuisson.

Donne 4 sandwiches.

Sous-marin à l'italienne

8 tranches de pain italien de ½ po d'épaisseur	4 tranches de fromage provolone
¼ de lb de jambon en tranches, divisé en 4 portions	8 rondelles de poivron vert
¼ de lb de saucisson, divisé en 4 portions	8 tranches de tomate
¼ de lb de dinde en tranches, divisée en 4 portions	Huile d'olive

Préchauffer le presse-panini. Badigeonner d'huile d'olive un seul côté de chaque tranche de pain. Placer 4 tranches de pain sur le presse-panini, côté huilé vers le bas. Poser les tranches de jambon, saucisson, dinde, 1 tranche de fromage provolone, 2 rondelles de poivron vert et 2 tranches de tomate sur chaque tranche de pain. Couvrir avec les 4 autres tranches de pain, côté huilé vers le haut. Fermer le presse-panini. Faire cuire pendant 3 à 5 minutes, ou jusqu'au degré désiré de cuisson.

Donne 4 sandwiches.

Jambon de Parme et mozzarella

8 tranches de pain italien de ½ po d'épaisseur	4 tranches de fromage mozzarella
¼ de lb de jambon de Parme, divisé en 4 portions	Huile d'olive
4 tomates séchées humides et hachées, divisées en 4 portions	

Préchauffer le presse-panini. Badigeonner d'huile d'olive un seul côté de chaque tranche de pain. Placer 4 tranches de pain sur le presse-panini, côté huilé vers le bas. Poser le jambon, 1 tranche de fromage mozzarella et 1 tomate séchée sur chaque tranche de pain. Couvrir avec les 4 autres tranches de pain, côté huilé vers le haut. Fermer le presse-panini. Faire cuire pendant 3 à 5 minutes, ou jusqu'au degré désiré de cuisson.

Donne 4 sandwiches.

Poulet et fromage féta

8 tranches de pain français de ½ po d'épaisseur	8 c. à table de fromage féta
½ lb de filets de poulet cuits, divisés en 4 portions	Huile d'olive
2 tasses de laitue romaine, hachée	

Préchauffer le presse-panini. Badigeonner d'huile d'olive un seul côté de chaque tranche de pain. Placer 4 tranches de pain sur le presse-panini, côté huilé vers le bas. Poser les morceaux de poulet, ½ tasse de romaine et 2 c. à table de fromage féta sur chaque tranche de pain. Couvrir avec les 4 autres tranches de pain, côté huilé vers le haut. Fermer le presse-panini. Faire cuire pendant 3 à 5 minutes, ou jusqu'au degré désiré de cuisson.

Donne 4 sandwiches.

Fromage Fontina

8 tranches de pain français de ½ po d'épaisseur	½ tasse de poivrons rouges grillés, tranchés
4 tranches de fontina, de la même grandeur que le pain	Huile d'olive
½ tasse de champignons, tranchés	

Préchauffer le presse-panini. Badigeonner d'huile d'olive un seul côté de chaque tranche de pain. Placer 4 tranches de pain sur le presse-panini, côté huilé vers le bas. Poser 1 tranche de fontina, 2 c. à table de champignons et 2 c. à table de poivrons rouges grillés sur chaque tranche de pain. Couvrir avec les 4 autres tranches de pain, côté huilé vers le haut. Fermer le presse-panini. Faire cuire pendant 3 à 5 minutes, ou jusqu'au degré désiré de cuisson.

Donne 4 sandwiches.

Quesadilla au poulet

4 tortillas à base de farine
 2 tasses de poulet, cuit et haché, divisé en 4 portions
 ½ tasse de fromage cheddar, râpé

Préchauffer le presse-panini. Plier une tortilla en deux. Placer celle-ci sur le presse-panini. Insérer le poulet et 2 c. à table de fromage dans la tortilla. Fermer le presse-panini. Faire cuire pendant 2 à 3 minutes ou jusqu'à ce que le fromage ait fondu. Retirer la tortilla du presse-panini et la découper en 3 triangles. Répéter la procédure avec les ingrédients qui restent.

Donne 4 quesadillas.

Pizza éclair

1 pâte à pizza réfrigérée en boîte	24 tranches de pepperoni (facultatif)
1 tasse de sauce pour pizza	8 rondelles de poivron vert (facultatif)
1 tasse de fromage mozzarella, râpé	4 champignons frais, tranchés (facultatif)

Préchauffer le presse-panini. Ouvrir la boîte de croûte à pizza et couper la pâte en 4 morceaux rectangulaires. Placer 1 morceau de pâte à pizza sur le presse-panini. Fermer le presse-panini. Faire cuire pendant 1 à 2 minutes. Ouvrir le presse-panini et étaler sur la pâte la sauce pour pizza, le fromage mozzarella, et les garnitures selon le goût. Baisser le couvercle du presse-panini et verrouiller le loquet pour laisser le couvercle reposer juste au-dessus de la pizza. Faire cuire pendant 2 à 3 minutes, ou jusqu'à ce que le fromage ait fondu. Répéter la procédure avec les ingrédients qui restent.

Donne 4 portions.

Chaussons aux fruits faciles

1 boîte de pâte à croissants réfrigérée
 1 boîte de garniture pour tarte, à base de fruits
 ½ tasse de sucre
 1 c. à thé de cannelle

Préchauffer le presse-panini. Ouvrir la boîte de pâte à croissants réfrigérée et couper celle-ci en 4 morceaux rectangulaires. Placer 1 morceau de pâte sur le presse-panini. Fermer le presse-panini. Faire cuire pendant 1 à 2 minutes. Ouvrir le presse-panini et étaler la garniture pour tarte. Baisser le couvercle du presse-panini et verrouiller le loquet pour laisser le couvercle reposer juste au-dessus du chausson. Cuire pendant 2 à 3 minutes pour réchauffer les fruits. Répéter la procédure avec la pâte et la garniture qui restent. Saupoudrer les chaussons d'un mélange de sucre et cannelle. Couper les chaussons en deux.

Donne 8 portions.

Quatre-quarts aux fruits

4 tranches de quatre-quarts de ½ po d'épaisseur
4 c. à table de tartinade chocolatée aux noisettes,
ou de glaçage préparé
1 tasse de fruits frais tranchés, divisés en 4 portions

Préchauffer le presse-panini. Placer 4 tranches de quatre-quarts sur le presse-panini. Ajouter 1 c. à table de tartinade aux noisettes ou de glaçage et des fruits frais. Baisser le couvercle du presse-panini et verrouiller le loquet pour laisser le couvercle reposer juste au-dessus des fruits. Faire cuire pendant 1 à 2 minutes pour réchauffer les fruits et le quatre-quarts.

Donne 4 portions.

Bananes et beurre d'arachide

4 tranches de pain à la banane de ¾ po d'épaisseur
4 c. à table de beurre d'arachide
1 banane, tranchée, divisée en 4 portions

Préchauffer le presse-panini. Placer 4 tranches de pain à la banane sur le presse-panini. Ajouter 2 c. à table de beurre d'arachide et des tranches de banane. Baisser le couvercle du presse-panini et verrouiller le loquet pour laisser le couvercle reposer juste au-dessus des fruits. Faire cuire pendant 1 à 2 minutes pour réchauffer les fruits et le pain à la banane.

Donne 4 portions.

Service à la clientèle

Si vous avez une question concernant votre presse-panini, contacter notre service à la clientèle (numéro d'appel sans frais indiqué). Avant d'appeler, veuillez prendre note des numéros de modèle, de type et de série et inscrire ces informations ci-dessous. Ces numéros se trouvent sur le fond du presse-panini. Ces informations nous aideront à répondre plus rapidement à vos questions.

MODÈLE : _____ **TYPE :** _____ **SÉRIE :** _____

GARANTIE LIMITÉE

Ce produit bénéficie d'une garantie contre les vices de matériau ou de fabrication pendant une période de deux (2) ans pour les produits Portfolio de Hamilton Beach, ou d'un (1) an pour les produits Hamilton Beach, à partir de la date de l'achat original, excepté pour ce qui est noté ci-dessous. Au cours de cette période, nous réparerons ou remplacerons ce produit sans frais, à notre discrétion. LA GARANTIE CI-DESSUS REMPLACE TOUTE AUTRE GARANTIE EXPRESSE OU IMPLICITE, ÉCRITE OU ORALE, Y COMPRIS TOUTE GARANTIE DE QUALITÉ MARCHANDE OU DE CONFORMITÉ À UNE FIN PARTICULIÈRE. TOUTE RESPONSABILITÉ EST EXPRESSÉMENT LIMITÉE À UN MONTANT ÉGAL AU PRIX D'ACHAT PAYÉ ET TOUTES LES RÉCLAMATIONS POUR DOMMAGES SPÉCIAUX ET INDIRECTS SONT PAR LES PRÉSENTES EXCLUES. La garantie ne s'applique pas aux accessoires suivants qui pourraient être vendus avec ce produit : pièces en verre, récipients en verre, couteau/tamis, lames et/ou agitateurs. Cette garantie ne s'applique qu'à l'acheteur d'origine et ne couvre pas un vice causé par l'abus, le mésusage, la négligence, l'usage à des fins commerciales ou tout autre usage non prescrit dans le mode d'emploi. Cette garantie vous confère des droits juridiques spécifiques et vous pouvez aussi jouir d'autres droits juridiques qui peuvent varier d'un État à un autre ou d'une province à une autre. Certains États ou certaines provinces ne permettent pas les limitations sur les garanties implicites ou les dommages spéciaux ou indirects de telle sorte que les limitations ci-dessus ne s'appliquent peut-être pas dans votre cas.

Si vous désirez procéder à une réclamation en vertu de cette garantie, NE RETOURNEZ PAS L'APPAREIL AU MAGASIN! Veuillez téléphoner au NUMÉRO DU SERVICE À LA CLIENTÈLE. (Pour un service plus rapide, ayez à portée de la main les numéros de série et de modèle et de type de votre appareil lorsque vous communiquez avec un représentant.)

NUMÉROS DU SERVICE À LA CLIENTÈLE

Aux États-Unis 1-800-851-8900

Au Canada 1-800-267-2826

Adresse du site Internet : www.hamiltonbeach.com

CONSERVEZ CES NUMÉROS POUR CONSULTATION ULTÉRIEURE!

HAMILTON BEACH ♦ PROCTOR-SILEX, INC.

263 Yadkin Road Southern Pines, North Carolina 28387

840111000

Adresse du site Internet : www.hamiltonbeach.com

PROCTOR-SILEX CANADA, INC.

Picton, Ontario K0K 2T0

3/03