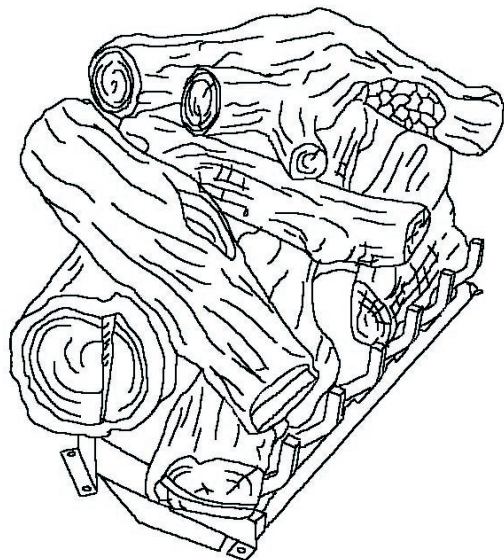




INSTALLATION INSTRUCTIONS AND OWNER'S MANUAL

The White Mountain Log Collection



Installer: Leave this manual with the appliance.

Consumer: Retain this manual for future reference.

WARNING: If the information in these instructions are not followed exactly, a fire or explosion may result causing property damage, personal injury or loss of life.

- Do not store or use gasoline or other flammable vapors and liquids in the vicinity of this or any other appliance.
- **WHAT TO DO IF YOU SMELL GAS**
 - Do not try to light any appliance.
 - Do not touch any electrical switch; do not use any phone in your building.
 - Immediately call your gas supplier from a neighbor's phone. Follow the gas supplier's instructions.
 - If you cannot reach your gas supplier, call the fire department.
- Installation and service must be performed by a qualified installer, service agency or the gas supplier.

**LOG SET FOR UNVENTED
GAS LOG HEATER
OR
VENTED DECORATIVE APPLIANCE
MODELS**

LS-18RS-1/LS-18RSS-1

LS-24RS-1/LS-24RSS-1

LS-30RS-1/LS-30RSS-1

Sassafras/Sassafras Super Size



**NATIONAL
FIREPLACE
INSTITUTE**



CERTIFIED
www.nficertified.org

We suggest that our gas hearth products be installed and serviced by professionals who are certified in the U.S. by the National Fireplace Institute® (NFI) as NFI Gas Specialists.

Log sets comply with ANSI Z21.11.2 Unvented Heaters and also comply with ANSI Z21.60 Decorative Vented Appliances for Solid Fuel Burning Fireplaces. State or local codes may only allow operation of log sets in a vented configuration. Check your state or local codes.

WARNING: If not installed, operated and maintained in accordance with the manufacturer's instructions, this product could expose you to substances in fuel or from fuel combustion which can cause death or serious illness.

TABLE OF CONTENTS

Section	Page
Important Installation Guidelines	3
General Information	3
Sassafras Super Size Log Placement	4
Ember Placement LS-18RSS-1 Photos.....	5
Ember Placement LS-24RSS-1 Photos.....	6
Ember Placement LS-30RSS-1 Photos.....	7
Sassafras Log Placement	8
Ember Placement LS-18RS Photos	9
Ember Placement LS-24RS Photos	10
Ember Placement LS-30RS Photos	11
Parts Lists and Parts Views.....	12
How to Order Repair Parts	12

IMPORTANT INSTALLATION GUIDELINES

Proper Log Placement

Log placement is critical to proper burner performance. Logs must be correctly positioned onto the burner. The photos in this manual show the proper pinned position for logs on this set. Owners need to be shown proper log placement and instructed not to move the logs.

Logs must fit firmly onto the burner when positioned as shown in the photos. Malformed logs or logs with sloppy pin holes must be replaced.

Proper Placement of Rock Wool and Decorative Lava Rock

Rock wool can be added to burners for a glowing ember effect. It must be positioned only on the front portion of the burner. The photos in this manual show the proper placement of rock wool.

Decorative lava rock or small wood pieces should never be placed on the burner. These items are only for placement on the floor of the fireplace or firebox.

Proper Primary Airflow into Burner

For proper burner operation and flame appearance, the flow of primary air into the venturi tube, located on the rear of the burner, must not be reduced. This flow of air is reduced if dirt, lint or other obstructions build-up around or inside the venturi. Any obstruction in the venturi tube area must be removed. The flow of air into the venturi is also reduced if the gas orifice isn't centered in the venturi inlet and/or is not aligned with the venturi. Any misalignment of the burner orifice may be corrected by bending the shutter cap holding the orifice to the inlet of the venturi tube.

Ceiling Fans, Portable Fans or Logs Installed Near Cold Air Returns

Ceiling fans or oscillating floor type fans need to be monitored during the operation of vent-free logs. If the air blows directly into the flame causing it to impinge on the log set, or firebox, it should be turned off or redirected. Ceiling fans could be reversed to possibly eliminate flame impingement, and the floor fan could be redirected. Upon installation, be aware of any cold air returns or vents in the proximity of the log set. Any draft created around

a vent-free log set can cause the flame to impinge on the log and create a sooting situation.

WARNING: Do not allow fans to blow directly into the fireplace. Avoid any drafts that alter burner flame patterns.

WARNING: Do not use a blower insert, heat exchanger insert or other accessory not approved for use with this heater.

Candles

Avoid the use of scented or decorative candles while the log set is in operation. Candles produce a residue in the air that creates a soot like substance. Burning candles while the log set is operating magnifies the problem. It should be noted that candles, in general, produce soot. The amount of time burned and the quantity of candles burned will determine the amount of soot produced and deposited.

Make Owners Aware of Proper Log Set Operation

Properly installed and properly maintained log sets do not deposit soot on the logs. If users see soot appear on a log, call for service. Do not continue to operate the log set.

Sunken Fireplace

If installing this unit into a sunken fireplace, you must raise the floor to insure adequate airflow and guard against sooting. Raise fireplace floor using a non-combustible material, which is secure.

Glass Doors

Make sure that glass doors are open during all operations of the logset. The opening of the glass door frame should be the dimension used for the minimum front opening of the firebox.

Wood Burning Fireplaces

The interior of the firebox and the chimney should be cleaned and free of all creosote before installing a gas burning log set. Creosote will soften when heated and can drop on the logset causing odors and possibly sooting.

WARNING: Before installing in a solid-fuel burning fireplace, the chimney flue and firebox must be cleaned of soot, creosote, ashes and loose paint by a qualified chimney cleaner.

GENERAL INFORMATION

Qualified Installing Agency

Installation and replacement of gas piping, gas utilization equipment or accessories and repair and servicing of equipment shall be performed only by a qualified agency. The term "qualified agency" means any individual, firm, corporation, or company that either in person or through a representative is engaged in and is responsible for (a) the installation, testing, or replacement of gas piping or (b) the connection, installation, testing, repair, or servicing of equipment; that is experienced in such work; that is familiar with all precautions required, and that has complied with all the requirements of the authority having jurisdiction.

The installation must conform with local codes or, in the absence of local codes, with the *National Fuel Gas Code, ANSI Z223.1/NFPA54*.*

*Available from the American National Standards Institute, Inc. 11 West 42nd St., New York, N.Y. 10018.

State of Massachusetts: The installation must be made by a licensed plumber or gas fitter in the Commonwealth of Massachusetts.

Sellers of unvented propane or natural gas-fired supplemental room heaters shall provide to each purchaser a copy of 527 CMR 30 upon sale of the unit.

In the State of Massachusetts, unvented propane and natural gas-fired space heaters shall be prohibited in bedrooms and bathrooms.

SASSAFRAS SUPER SIZE LOG PLACEMENT

Before you begin: Do not, handle these logs with your bare hands! Always wear gloves to prevent skin irritation. After handling logs, wash your hands gently with soap and water.

All Logs

The positioning of the logs is critical to the safe and clean operation of this heater. Sooting and other problems may result if the logs are not properly and firmly positioned in the appliance.

Refer to Figure 1 for the following warning.

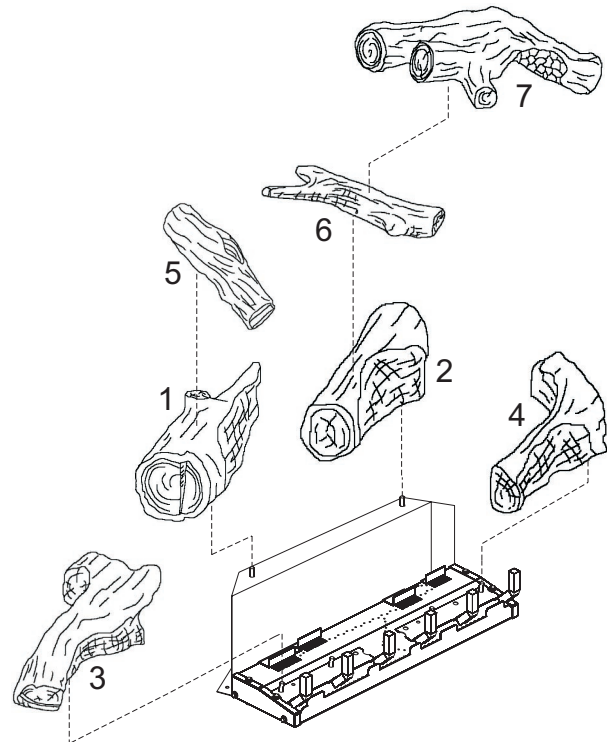
Warning: Failure to position the parts in accordance with this diagram or failure to use only parts specifically approved with this appliance may result in property damage or personal injury.

PROPER INSTALLATION SEQUENCE:

LS-(18, 24, 30)RSS

(Figure 1)

1. Place left, rear (#1) log onto left, rear pin on rear log support.
2. Place right, rear (#2) log onto right, rear pin on rear log support.
3. Place left, front (#3) log onto two (2) left, front pins on burner pan.
4. Place right, front (#4) log onto two (2) right, front pins on burner pan.
5. Insert boss on left, top (#5) log into recess on left side of left, rear (#1) log and onto left side of left, front (#3) log.
6. Insert boss on center, top (#6) log into recess on right side of left, front (#3) log.
7. Insert round boss and square recess on (#7) right, top log into recess and boss on center, top (#6) log.
8. Compare the completed log installation with the appropriate photo from pages 5 through 7. Review previous steps to make any necessary adjustments.
9. Log placement is completed.



**Log Placement
LS-(18, 24, 30)RSS Logs**

Figure 1

Attention: Do not use Figure 1 to order replacement logs. Refer to Page 12 Parts List and Parts View to order logs for your appropriate model number.

Apply loose material (glowing embers) per appropriate Installation Instructions and Owner's Manual. Replacement of loose material (glowing embers) must be purchased from Empire Comfort Systems, Inc. Application of excess loose material (glowing embers) may adversely affect performance of the heater.

WARNING: All previously applied loose material must be removed prior to reapplication.

Replacement Loose Material (glowing embers) Part Number

LS-18RSS	15999
LS-24RSS	15970
LS-30RSS	15970
Platinum Bright Embers	PE20-1

Note: A single layer of embers is to be used when applying Platinum Bright Embers (alone or in combination with production embers) to the burner.

The following WARNING applies when log set is installed onto an unvented gas burner assembly.

WARNING: This appliance is equipped for (natural or propane) gas. Field conversion is not permitted.

EMBER PLACEMENT LS-18RSS-1 PHOTOS

Photo 1



Do not cover any large rear ports with loose material (glowing embers)

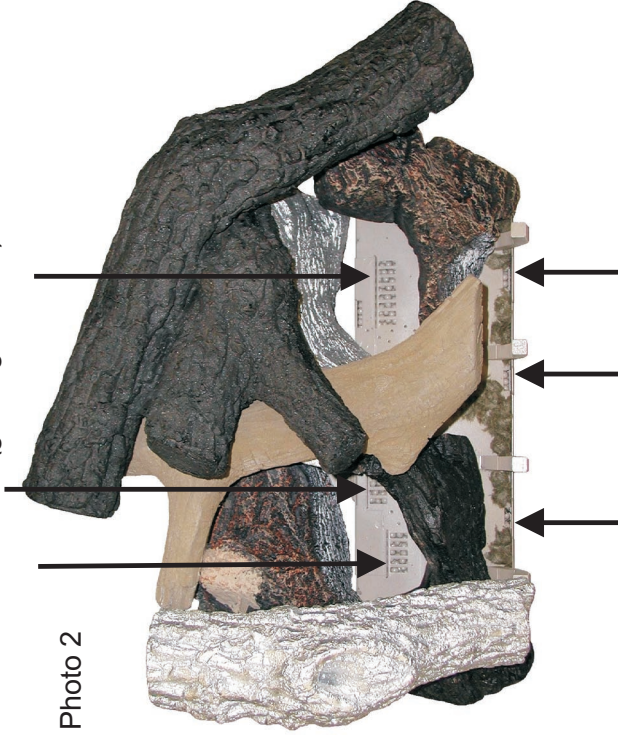


Photo 2

Do not cover any large front ports with loose material (glowing embers).

Photo 4



Some logs have been removed for clarity

Photo 3



Some logs have been removed for clarity

EMBER PLACEMENT LS-24RSS-1 PHOTOS

Some logs have been removed for clarity

Do not cover any large rear ports with loose material (glowing embers).



Photo 2

Do not cover any large front ports with loose material (glowing embers)



Photo 4

Some logs have been removed for clarity

Photo 1



Photo 3

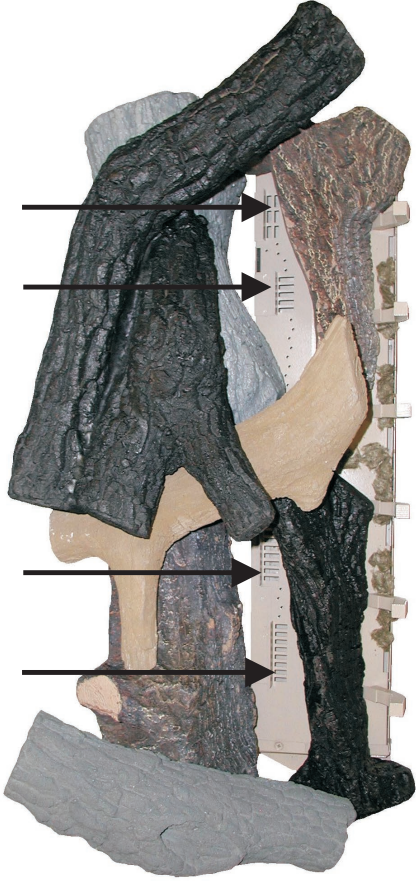


Some logs have been removed for clarity

EMBER PLACEMENT LS-30RSS-1 PHOTOS

Some logs have been removed for clarity
Do not cover any large rear ports with
loose material (glowing embers)

Photo 2



Some logs have been removed for clarity

Photo 4



Some logs have been removed for clarity

Photo 1



Photo 3



SASSAFRAS LOG PLACEMENT

Before you begin: Do not, handle these logs with your bare hands! Always wear gloves to prevent skin irritation. After handling logs, wash your hands gently with soap and water.

All Logs

The positioning of the logs is critical to the safe and clean operation of this heater. Sooting and other problems may result if the logs are not properly and firmly positioned in the appliance.

Refer to Figure 1 for the following warning.

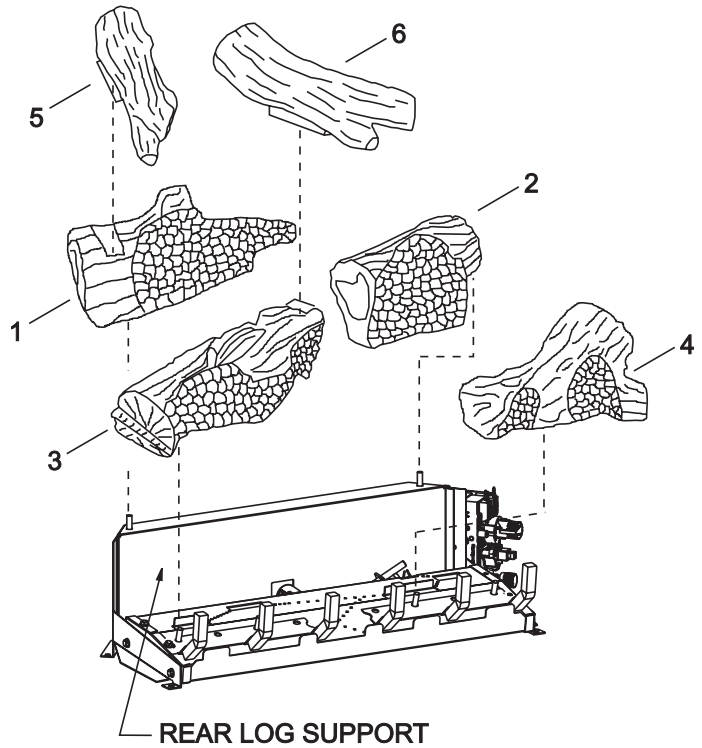
Warning: Failure to position the parts in accordance with this diagram or failure to use only parts specifically approved with this appliance may result in property damage or personal injury.

PROPER INSTALLATION SEQUENCE:

LS-(18, 24, 30)RS

(Figure 1)

1. Place left, rear (#1) log onto left, rear pin on rear log support.
2. Place right, rear (#2) log onto right, rear pin on rear log support.
3. Place left, front (#3) log onto two (2) left, front pins on burner pan.
4. Place right, front (#4) log onto two (2) right, front pins on burner pan.
5. Insert boss on left, top (#5) log into recess on left side of left, rear (#1) log and onto left side of left, front (#3) log.
6. Insert boss on right, top (#6) log into recess on right side of left, front (#3) log.
7. Compare the completed log installation with the appropriate photo from pages 9 through 11. Review previous steps to make any necessary adjustments.
8. Log placement is completed.



**Log Placement
LS-(18, 24, 30)RS Logs**

Figure 1

The following WARNING applies when log set is installed onto an unvented gas burner assembly.

WARNING: This appliance is equipped for (natural or propane) gas. Field conversion is not permitted.

Attention: Do not use Figure 1 to order replacement logs. Refer to Page 12 Parts List and Parts View to order logs for your appropriate model number.

Apply loose material (glowing embers) per appropriate Installation Instructions and Owner's Manual. Replacement of loose material (glowing embers) must be purchased from Empire Comfort Systems, Inc. Application of excess loose material (glowing embers) may adversely affect performance of the heater. WARNING: All previously applied loose material must be removed prior to reapplication.

Replacement Loose Material (glowing embers) Part Number

LS-18RS	15999
LS-24RS	15970
LS-30RS	15970
Platinum Bright Embers	PE-20-1

Note: A single layer of embers is to be used when applying Platinum Bright Embers (alone or in combination with production embers) to the burner.

EMBER PLACEMENT LS-18RS-1 PHOTOS

Do not cover any large rear ports with loose material (glowing embers).

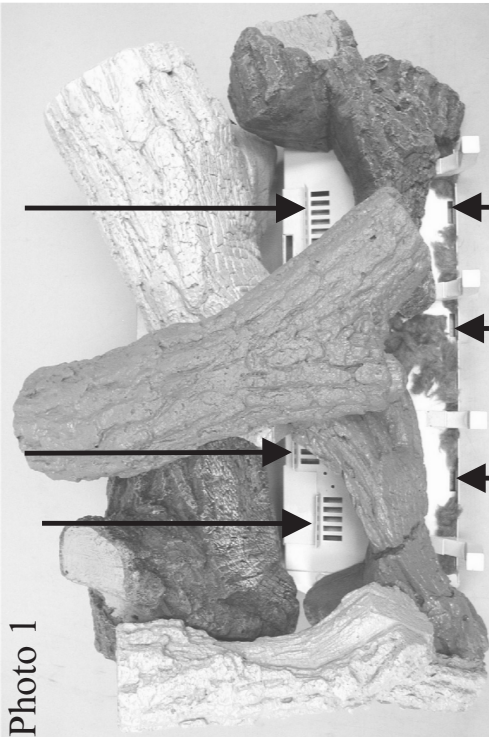


Photo 1

Do not cover any large front ports with loose material (glowing embers).

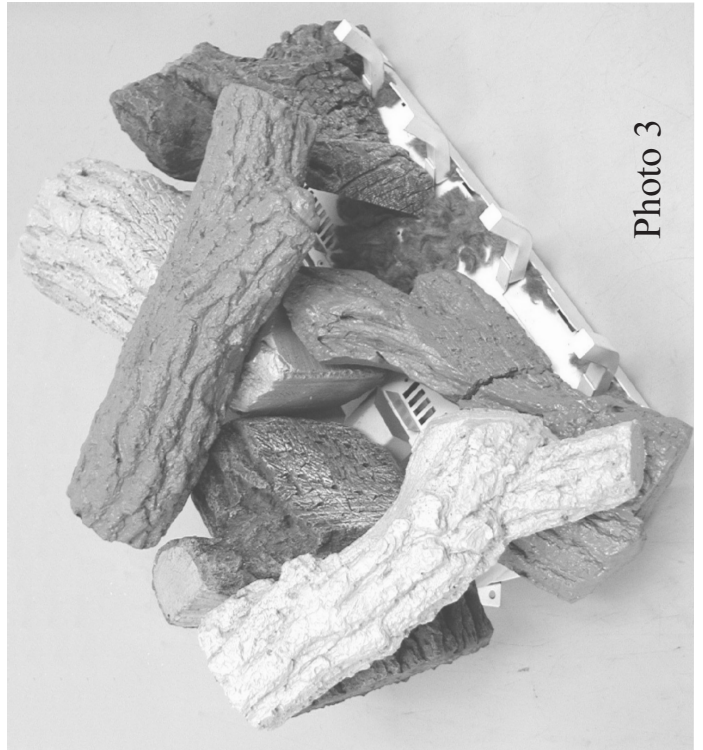


Photo 3

Photo 2

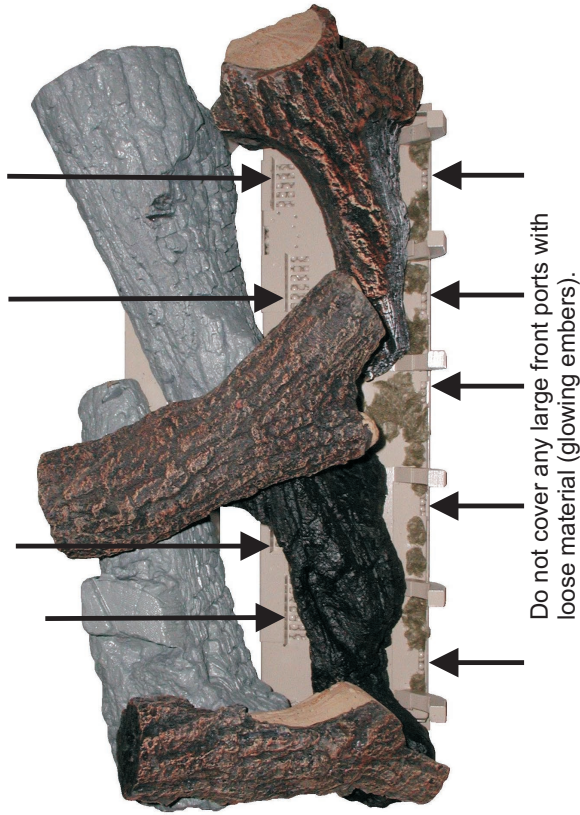


Photo 4

EMBER PLACEMENT LS-24RS-1 PHOTOS

Photo 2

Do not cover any large rear ports with loose material (glowing embers)



Do not cover any large front ports with loose material (glowing embers).

Photo 1



Photo 3



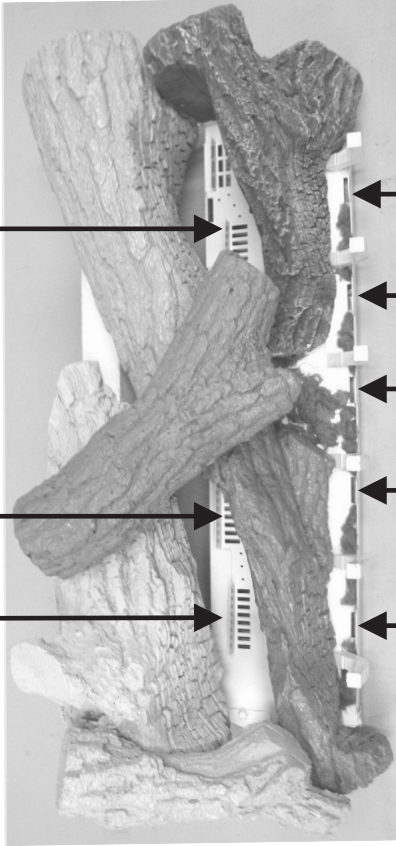
Photo 4



EMBER PLACEMENT LS-30RS-1 PHOTOS

Do not cover any large rear ports with loose material (glowing embers).

Photo 2



Do not cover any large front ports with loose material (glowing embers).



Photo 4

Photo 1

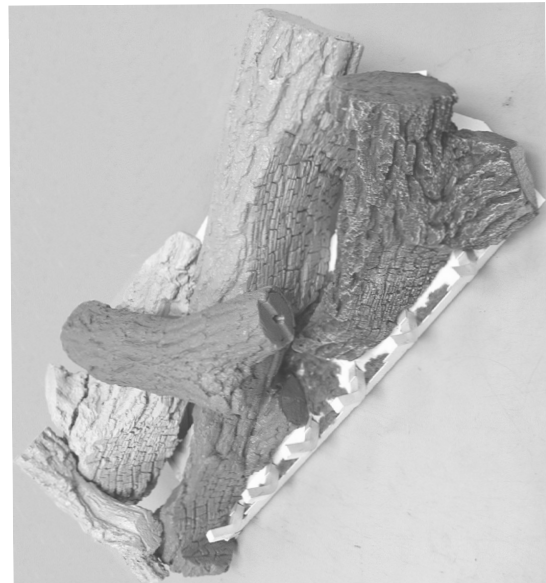
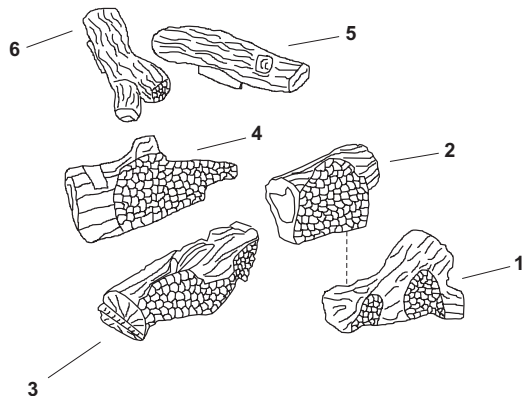


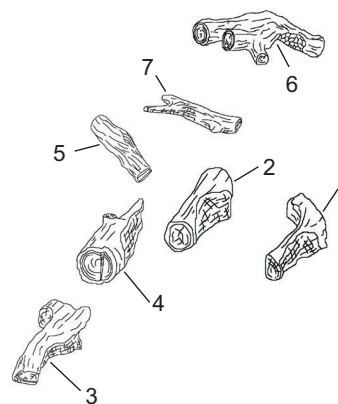
Photo 3

PARTS LIST & PARTS VIEW

Attention: When ordering parts, it is very important that **part number** and **description** of part coincide.



Index No.	Part Number	Description
REFRACTORY SASSAFRAS LOG SETS		
1	R-6369	RIGHT FRONT LOG (18)
1	R-6376	RIGHT FRONT LOG (24)
1	R-6381	RIGHT FRONT LOG (30)
2	R-6371	RIGHT REAR LOG (18)
2	R-6378	RIGHT REAR LOG (24)
2	R-6383	RIGHT REAR LOG (30)
3	R-6368	LEFT FRONT LOG (18)
3	R-6375	LEFT FRONT LOG (24)
3	R-6380	LEFT FRONT LOG (30)
4	R-6370	LEFT REAR LOG (18)
4	R-6377	LEFT REAR LOG (24)
4	R-6382	LEFT REAR LOG (30)
5	R-6373	RIGHT TOP LOG - (18, 24 AND 30)
6	R-6372	LEFT TOP LOG - (18, 24 AND 30)



Index No.	Part Number	Description
REFRACTORY SASSAFRAS SUPER SIZE LOG SETS		
1	R-6369	RIGHT FRONT LOG (18)
1	R-6376	RIGHT FRONT LOG (24)
1	R-6381	RIGHT FRONT LOG (30)
2	R-6371	RIGHT REAR LOG (18)
2	R-6378	RIGHT REAR LOG (24)
2	R-6383	RIGHT REAR LOG (30)
3	R-6368	LEFT FRONT LOG (18)
3	R-6375	LEFT FRONT LOG (24)
3	R-6380	LEFT FRONT LOG (30)
4	R-6370	LEFT REAR LOG (18)
4	R-6377	LEFT REAR LOG (24)
4	R-6382	LEFT REAR LOG (30)
5	R-8289	LEFT TOP LOG - (18, 24 AND 30)
6	R-8290	RIGHT TOP LOG (18)
6	R-8294	RIGHT TOP LOG (24)
6	R-8297	RIGHT TOP LOG (30)
7	R-8291	CENTER TOP LOG - (18, 24 AND 30)

USE ONLY MANUFACTURER'S REPLACEMENT PARTS. USE OF ANY OTHER PARTS COULD CAUSE INJURY OR DEATH.

HOW TO ORDER REPAIR PARTS

Parts can be ordered only through your **service person** or dealer. For best results, the **service person or dealer** should order parts through the distributor. Parts can be shipped directly to the **service person/dealer**.

All parts listed in the Parts List have a Part Number. When ordering parts, first obtain the Model Number from the name plate on your equipment. Then determine the Part Number (not the Index Number) and the Description of each part from the following appropriate illustration and list. Be sure to give all this information . . .

Appliance Model Number _____ Part Description _____
 Appliance Serial Number _____ Part Number _____
 Type of Gas (Propane or Natural) _____

Do not order bolts, screws, washers or nuts. They are standard hardware items and can be purchased at any local hardware store.

Shipments contingent upon strikes, fires and all causes beyond our control.



Empire Comfort Systems, Inc.
 918 Freeburg Ave. Belleville, IL 62220
 PH: 618-233-7420 or 800-851-3153
 FAX: 618-233-7097 or 800-443-8648
 info@empirecomfort.com