



# Spacemaker Washers

**Safety Information** ..... 3, 4

**Operating Instructions**

Control Panels ..... 5

Control Settings ..... 5

Fabric Care Labels ..... 10

Features ..... 6, 7

Loading and Using  
the Washer ..... 8, 9

**Installation Instructions** ..... 11-16

Drain Requirements ..... 14

Electrical Requirements ..... 14

Installing the Washer ..... 16

Location of Your Washer ..... 12

Preparing to Install  
Your Washer ..... 11

Replacement Parts ..... 16

Rough In Dimensions ..... 15

Unpacking Your Washer ..... 13

Water Supply Requirements ..... 14

**Troubleshooting Tips** ..... 17-19

**Customer Service**

Service Telephone  
Numbers ..... 24

Warranty for U.S. Customers ..... 22

Warranty for Canadian Customers . . 23

**Owner's Manual & Installation Instructions**

WCXH208  
WSXH208  
WPXH214



# GE & You, A Service Partnership.



## IMPORTANT!

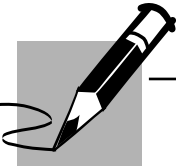
**Staple sales slip or cancelled check here.**

Proof of the original purchase date is needed to obtain service under the warranty.

Fill out the Consumer Product Registration Card.

**Two easy ways to register your appliance!**

- Through the internet at [www.geappliances.com](http://www.geappliances.com)
- Complete and mail the enclosed Product Registration Card



## FOR YOUR RECORDS

**Write the model and serial numbers here:**

# \_\_\_\_\_

# \_\_\_\_\_

You can find them at the top inside of the door opening.



## READ THIS MANUAL

Inside you will find many helpful hints on how to use and maintain your washer properly. Just a little preventive care on your part can save you a great deal of time and money over the life of your washer.



## IF YOU NEED SERVICE

You'll find many answers to common problems in the *Before You Call For Service* section. If you review our chart of *Troubleshooting Tips* first, you may not need to call for service at all.

If you do need service, you can relax knowing help is only a phone call away. A list of toll-free customer service numbers is included in the back section.

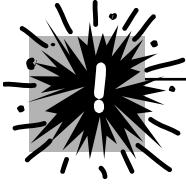
**OR**

Visit our Website at: [www.GEAppliances.com](http://www.GEAppliances.com)

# IMPORTANT SAFETY INFORMATION. READ ALL INSTRUCTIONS BEFORE USING.

**⚠ WARNING!** For your safety, the information in this manual must be followed to minimize the risk of fire or explosion, electric shock, or to prevent property damage, personal injury, or loss of life.

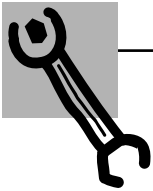
The instructions in this manual and all other literature included with this washer are not meant to cover every possible condition and situation that may occur. Good, safe practices and caution **MUST** be applied when installing, operating, and maintaining any appliance.



## WATER HEATER SAFETY

Under certain conditions hydrogen gas may be produced in a water heater that has not been used for two weeks or more. Hydrogen gas can be explosive under these circumstances.

If the hot water has not been used for two weeks or more, prevent the possibility of damage or injury by turning on all hot water faucets and allowing them to run for several minutes. Do this before using any electrical appliance which is connected to the hot water system. This simple procedure will allow any built-up hydrogen gas to escape. Since the gas is flammable, do not smoke or use an open flame or appliance during this process.



## PROPER INSTALLATION

This washer must be properly installed and located in accordance with the Installation Instructions before it is used.

- Install or store where it will not be exposed to temperatures below freezing or exposed to the weather.
- Properly ground washer to conform with all governing codes and ordinances. Follow details in Installation Instructions.



## YOUR LAUNDRY AREA

- Keep the area underneath and around your appliances free of combustible materials such as lint, paper, rags, chemicals, etc.
- Do not leave the washer door open. An open door could entice children to hang on the door or crawl inside the washer.
- Close supervision is necessary if this appliance is used by or near children. Do not allow children to play on, with, or inside this or any other appliance.

# IMPORTANT SAFETY INFORMATION. READ ALL INSTRUCTIONS BEFORE USING.



## WHEN USING THE WASHER

Use this appliance only for its intended purpose as described in this Owner's Manual.

- Never reach into washer while it is moving. Wait until the machine has completely stopped before opening the door.
- Do not mix chlorine bleach with ammonia or acids such as vinegar and/or rust remover. Mixing different chemicals can produce a toxic gas which may cause death.
- Do not wash or dry articles that have been cleaned in, washed in, soaked in, or spotted with combustible or explosive substances (such as wax, oil, paint, gasoline, degreasers, dry-cleaning solvents, kerosene, etc.) which may ignite or explode. Do not add these substances to the wash water. Do not use or place these substances around your washer or dryer during operation.
- The laundry process can reduce the flame retardancy of fabrics. To avoid such a result, carefully follow the garment manufacturer's wash and care instructions.
- To minimize the possibility of electric shock, unplug this appliance from the power supply or disconnect the washer at the household distribution panel by removing the fuse or switching off the circuit breaker before attempting any maintenance or cleaning.  
**NOTE:** Turning the Cycle Selector knob to an off position does **NOT** disconnect the appliance from the power supply.
- Never attempt to operate this appliance if it is damaged, malfunctioning, partially disassembled, or has missing or broken parts, including a damaged cord or plug.
- Do not slam the washer door closed or try to force the door open when locked (Door Lock light ON). This could result in damage to the washer.
- The washer is equipped with an electrical overload protector. The motor will stop if it becomes overheated. The washer will automatically restart after a cool down period of up to 30 minutes, if the washer has not been manually turned off during this time.



## WHEN NOT IN USE

- Turn off water faucets to relieve pressure on hoses and valves and to minimize leakage if a break or rupture should occur. Check the condition of the fill hoses; they should be replaced after 5 years.
- Before discarding a washer, or removing it from service, remove the washer door to prevent children from hiding inside.
- Do not attempt to repair or replace any part of this appliance unless specifically recommended in this Owner's Manual, or in published user-repair instructions that you understand and have the skills to carry out.
- Do not tamper with controls.

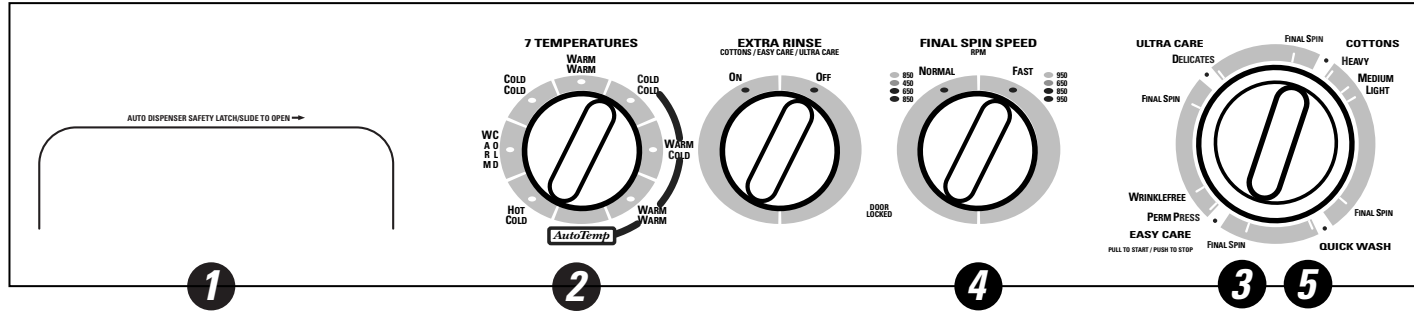


READ AND FOLLOW THIS SAFETY INFORMATION CAREFULLY.  
**SAVE THESE INSTRUCTIONS**

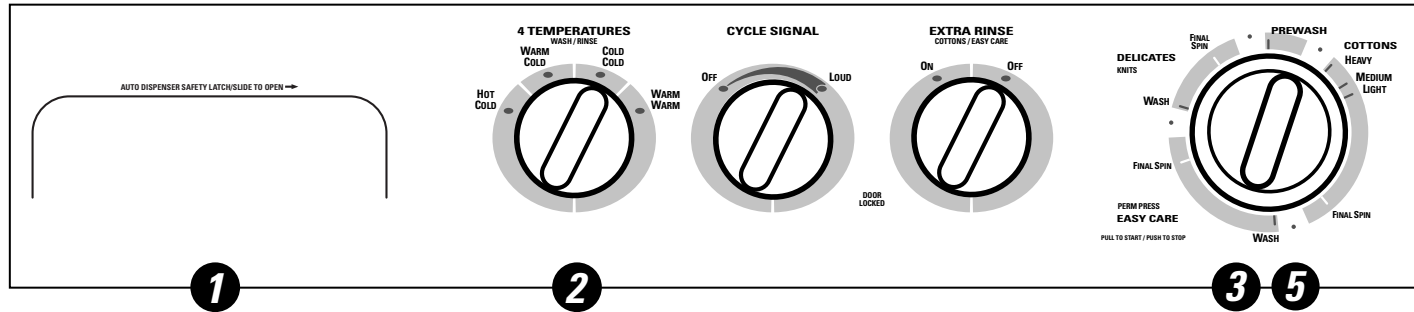
# About the washer control panel.

You can locate your model number at the top inside of the door opening.

## Model WPXH214



## Models WCXH208 and WSXH208



Features and appearance may vary.

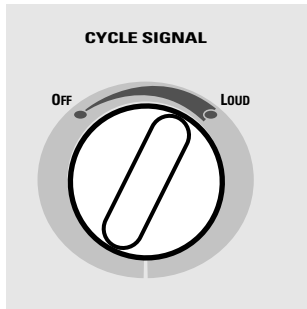


## Control Settings

- 1 Automatic Dispenser and Safety Latch**  
 Safety latch slides to the right to open drawer. (Latch locks to the left on its own.) Add detergent, liquid bleach and fabric softener to this drawer.
- 2 Temperature**  
 Select the water temperature for the wash and rinse cycles. Always follow garment manufacturer's care label or instructions when laundering.
- 3 Wash Cycle**  
 The wash cycle controls the length of the washing process. The chart below will help you match the wash cycle setting with your loads.
 

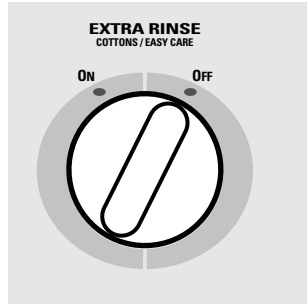
<b>PREWASH</b>	For heavily soiled and protein-stained items. Follow PreWash with a complete wash cycle.
<b>COTTONS</b>	For heavy to lightly soiled cottons, household linens, work and play clothes.
<b>EASY CARE</b>	For wrinkle-free and permanent press items, and knits.
<b>DELICATES/ ULTRACARE</b>	For lightly-soiled lingerie and special-care fabrics.
<b>QUICK WASH</b>	For lightly soiled items you need in a hurry.
- 4 Final Spin Speed (on some models)**  
 The Fast spin speed is for durable items.  
  
 The Normal spin speed is for delicate items like sweaters and lingerie.  
 When using Normal spin speed, clothes will be less dry than when using Fast spin speed.
- 5** Set the desired wash cycle by pushing in cycle knob and turning clockwise.  
 Start the washer by closing the door and pulling out the cycle knob.  
 To stop the washer, push in the cycle knob and pull out to restart.
  - The washer will not operate with the door open.
  - The door will automatically lock during the entire wash cycle.

## About the washer features. *NOTE: Not all features are available on all washer models.*



### **Cycle Signal (on some models)**

When the Cycle Signal is ON it will sound at the end of the cycle. The signal can be set at **OFF** (no sound), **LOUD** or anywhere in between.



### **Extra Rinse (available on some cycles)**

Use an extra rinse when additional rinsing is desired to remove excess dirt and detergent from soiled loads.



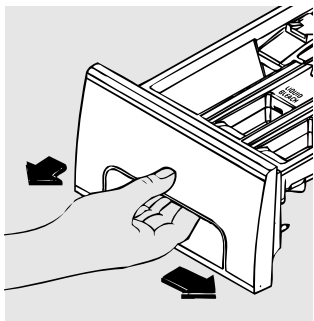
### **Door Locked Indicator Light**

The indicator light is ON and the door is locked when the cycle knob is pulled out. The light turns OFF at the end of the cycle.

### **AutoTemp (on some models)**

AUTO TEMP senses the incoming water temperature and adjusts the fill water to obtain the correct wash temperature. This feature is activated only when selecting a **COLD** or **WARM** wash temperature.

For example, if a **COLD** wash is selected, some warm water may be added to reach a temperature needed to better dissolve detergents. Often, detergents are not completely dissolved in very cold water, especially in cooler climates.



### The Dispenser Drawer

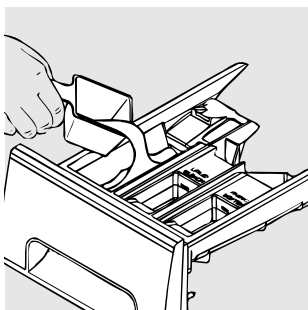
Slowly open the dispenser drawer by first sliding the safety latch to the right, then pulling the drawer out until it stops.

After adding laundry products, slowly close the dispenser drawer. Closing the drawer too quickly could result in early dispensing of the bleach and fabric softener.

You may see water in the bleach and fabric softener compartments. This is a result of the siphoning action and is part of the normal operation of the washer.



If the dispenser drawer is pulled out more than 1 1/2" when the washer is in operation, the washer will shut off. The DOOR LOCK indicator light will turn off and the door will be unlocked. Slowly close the drawer, and the washer will automatically resume operation.

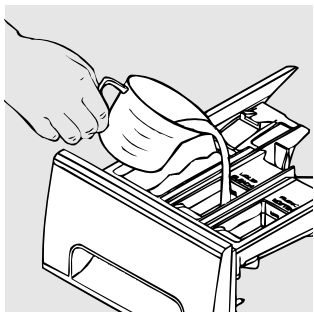


### The Detergent Compartment


- Add measured detergent to the detergent compartment of the dispenser drawer.
- Detergent is flushed from the dispenser at the beginning of the cycle. Either powdered or liquid detergent can be used.

**NOTE:** Liquid detergent will drain into the washer drum as it is added.

- Low sudsing detergent is recommended for this washer. Use the manufacturer's recommended amount.
- Detergent usage may need to be adjusted for water temperature, water hardness, size and soil level of the load. Avoid using too much detergent in your washer as it can lead to oversudsing and detergent residue being left on the clothes.

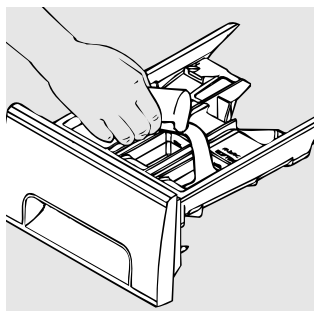


### The Liquid Bleach Compartment

If desired, measure out the recommended amount of liquid chlorine bleach, not to exceed 1/3 cup (80 ml) and pour into the center compartment labeled "LIQUID BLEACH" marked with this symbol .

Do not exceed the maximum fill line. Overfilling can cause early dispensing of the bleach which could result in damaged clothes.

**NOTE:** Do not use powdered bleach in the dispenser.



### The Fabric Softener Compartment

If desired, pour the recommended amount of liquid fabric softener into the compartment labeled "FABRIC SOFTENER" and marked with this symbol .

Dilute with water to the maximum fill line.

Do not exceed the maximum fill line. Overfilling can cause early dispensing of the fabric softener which could stain clothes.

**NOTE:** Do not pour fabric softener directly on the wash load.



## Loading and using the washer. *Always follow fabric manufacturer's care label when laundering.*



### Sorting Wash Loads

Sort laundry into loads that can be washed together.

<b>Colors</b>	<b>Soil</b>	<b>Fabric</b>	<b>Lint</b>
Whites	Heavy	Delicates	Lint Producers
Lights	Normal	Easy Care	Lint Collectors
Darks	Light	Sturdy Cottons	

- Combine large and small items in a load. Load large items first. Large items should not be more than half the total wash load.
- Do not wash single items. This may cause an out-of-balance load. Add one or two similar items.



### Loading the Washer

Wash drum may be fully loaded with loosely added items. **Do not wash fabrics containing flammable materials (waxes, cleaning fluids, etc.).**

To add items after washer has started, push in cycle knob and wait until there is no longer any water on the door window. Do not force open the locked door; open gently. Add items, close the door and pull cycle knob out to restart.



### Care and Cleaning

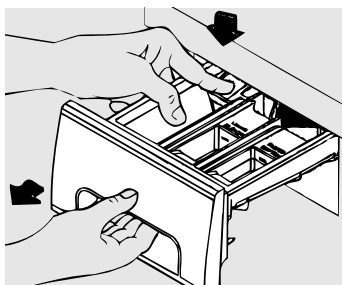
**Exterior:** Immediately wipe off any spills. Wipe with damp cloth. Try not to hit surface with sharp objects.

**Interior:** Dry around the washer door opening, flexible gasket and door glass. These areas should always be clean to ensure a water tight seal.

**Moving and Storage:** Ask the service technician to remove water from drain pump and hoses. Do not store the washer where it will be exposed to the weather. When moving the washer, the tub should be kept stationary by using the brackets and bolts removed during installation. See Installation Instructions in this book. If these parts are not available, they can be ordered in the United States by visiting our Website at [www.GEAppliances.com](http://www.GEAppliances.com) or by calling 800-GE-CARES. In Canada, write to Manager, Consumer Relations, Camco Inc., 1 Factory Lane, Suite 310, Moncton, N.B. E1C 9M3.

**Long Vacations:** Be sure water supply is shut off at faucets. Drain all water from hoses if weather will be below freezing.

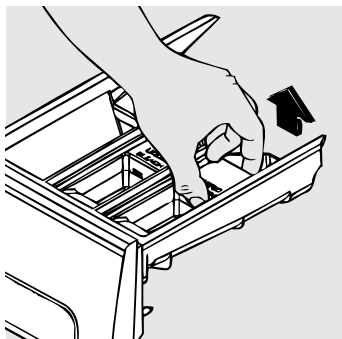




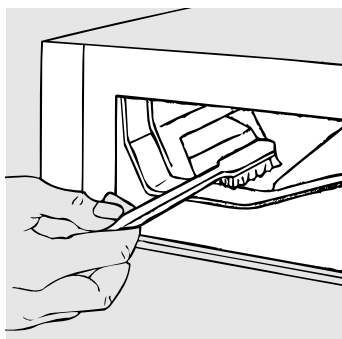
Lock tab is visible only after drawer has been pulled out

**Dispenser Drawer Area:** Detergent and fabric softener may build up in the dispenser drawer. Residue should be removed once or twice a month.

- Remove the drawer by first sliding the safety latch to the right, then pulling the drawer out until it stops. Reach back into the left rear corner of the drawer cavity and press down firmly on the lock tab, pulling out the drawer.



- Remove the inserts from the bleach and fabric softener compartments. Rinse the inserts and the drawer with hot water to remove traces of accumulated laundry products.



- To clean the drawer opening, use a small brush to clean the recess. Remove all residue from the upper and lower parts of the recess.
- Return the bleach and fabric softener inserts to the proper compartments. Replace the dispenser drawer and run the PREWASH or QUICK WASH cycle without any wash load in the drum.

# About the washer features.



## Fabric Care Labels

Below are fabric care label “symbols” that affect the clothing you will be laundering.

### WASH LABELS

<i>Machine wash cycle</i>						
	Normal	Permanent Press/ wrinkle resistant	Gentle/ delicate	Hand wash	Do not wash	Do not wring
<i>Water temperature</i>						
	Hot (50°C/120°F)			Warm (40°C/105°F)		Cold/cool (30°C/85°F)

### DRY LABELS

<i>Tumble dry</i>						
	Dry	Normal	Permanent Press/ wrinkle resistant	Gentle/ delicate	Do not tumble dry	Do not dry (used with do not wash)
<i>Heat setting</i>						
	High	Medium	Low	No heat/air		
<i>Special instructions</i>						
	Line dry/ hang to dry	Drip dry	Dry flat	In the shade		

### BLEACH LABELS

<i>Bleach symbols</i>			
	Any bleach (when needed)	Only non-chlorine bleach (when needed)	Do not bleach

# Installation Instructions

# Spacemaker Washer

Models *WCXH208*  
*WSXH208*  
*WPXH214*

*If you have any questions, call 1-800-GECARES or visit our Website at: [www.GEAppliances.com](http://www.GEAppliances.com)*

## BEFORE YOU BEGIN

Read these instructions completely and carefully.

- **IMPORTANT** – Save these instructions for local inspector's use.
- **IMPORTANT** – Observe all governing codes and ordinances.
- **Note to Installer** – Be sure to leave these instructions with the Consumer.
- **Note to Consumer** – Keep these instructions for future reference.
- **Skill level** – Installation of this appliance requires basic mechanical and electrical skills.
- **Completion time** – 1-3 hours
- Proper installation is the responsibility of the installer.
- Product failure due to improper installation is not covered under the Warranty.

## FOR YOUR SAFETY:

### WARNING

- This appliance must be properly grounded and installed as described in these *Installation Instructions*.
- Do not install or store appliance in an area where it will be exposed to water/weather. See *Location of Your Washer* section.
- **NOTE: This appliance must be properly grounded, and electrical service to the washer must conform with local codes and ordinances and the latest edition of the National Electrical Code, ANSI/NFPA 70 or in Canada, CSA C22.1 Canadian Electrical Code Part 1.**

# Installation Instructions

## LOCATION OF YOUR WASHER

### Do Not Install the Washer:

1. In an area exposed to dripping water or outside weather conditions. The ambient temperature should never be below 60°F (15.6°C) for proper washer operation.
2. In an area where it will come in contact with curtains or drapes.
3. On carpet. The floor **MUST** be a hard surface with a maximum slope of 1/2" per foot (1.27 cm per 30 cm). To make sure the washer does not vibrate or move, you may have to reinforce the floor.

### IMPORTANT:

#### Minimum Installation Clearances

- When installed in alcove: Sides, Rear, Top = 0" (0 cm)
- When installed in closet: Sides, Rear, Top = 0" (0 cm), Front = 1" (2.54 cm)
- Closet door ventilation openings required: 2 louvers each 60 square in. (387 cm<sup>2</sup>), located 3" (7.6 cm) from top and bottom of door

#### Undercounter Installation

If an undercounter\* installation is desired, you **MUST** install a top sheet kit, 14-A037. This kit is available from an authorized parts distributor.

\*Custom-sized countertop is required.

#### Mobile Home Installation

Installation must conform to Standard for Mobile Homes, ANSI A119.1 and National Mobile Home Construction and Safety Standards Act of 1974 (PL93-383).

## TOOLS REQUIRED FOR WASHER INSTALLATION

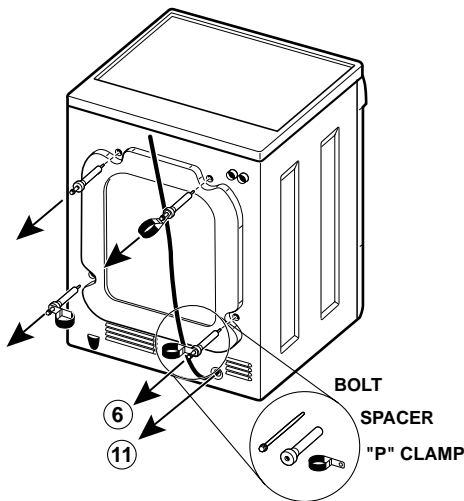
- 1/4" nut driver
- 3/8" socket with ratchet
- 3/8" open-end wrench
- 7/16" socket with ratchet
- 9/16" open-end wrench
- Channel-lock adjustable pliers
- Carpenter's level

# Installation Instructions

## UNPACKING THE WASHER

**▲ WARNING:** Destroy the carton and plastic bags after the washer is unpacked. Children might use them for play. Cartons covered with rugs, bedspreads, or plastic sheets can become airtight chambers causing suffocation. Place all materials in a garbage container or make materials inaccessible to children.

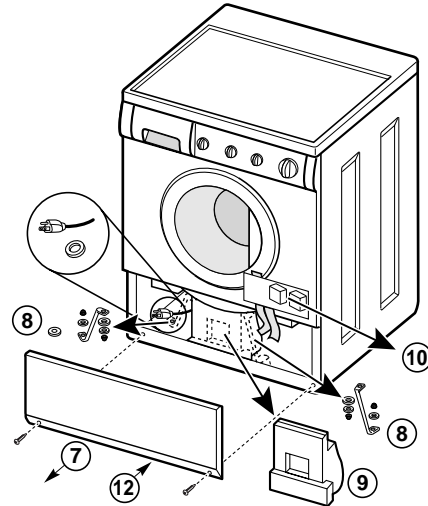
1. Cut the shipping carton along the dotted line at the base of the unit.
2. While it is in the carton, carefully lay the washer on its back side.
3. Remove the styrofoam base.
4. Carefully return the washer to an upright position and remove the carton.
5. Carefully move the washer to within 4 feet (122 cm) of the final location.
6. Remove the following from the back side of the washer:
  - 4 bolts,
  - 4 yellow plastic spacers,
  - 3 metal "P" clamps.



7. Remove the service panel from the front of the washer.
8. Remove the 4 nuts and 6 large washers that attach the 2 yellow shipping braces to the drum and the base. Lift up on the drum and remove the braces (a yellow ribbon surrounds the items to be removed). These braces must be removed to allow the power supply cord to be released from the shipping ring.

**NOTE:** Failure to remove the shipping braces can cause the washer to become severely unbalanced.

9. Remove the large styrofoam block located under the drum. Lift up on the drum, tilt the base of the foam block inwards toward the rear of the washer until free, then pull the block out.
10. Remove and discard the yellow ribbon and label from the front of the washer.



11. From the rear of the washer, carefully pull out the power supply cord through the hole in the backsheet.
12. Replace the service panel and screws.

**Save all bolts, washers, spacers, brackets, clamps, and blocks for future use.**

**NOTE:** If you must transport the washer at a later date, you must reinstall the shipping support hardware to prevent shipping damage. Keep the hardware in the plastic bag provided.

# Installation Instructions

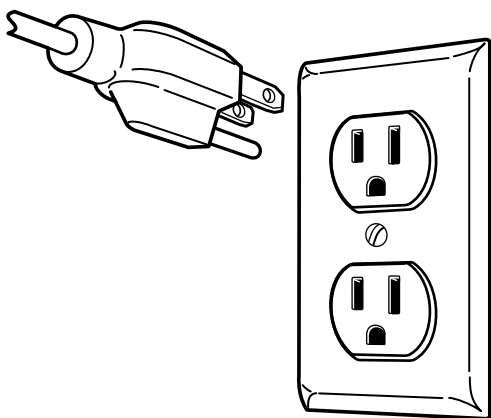
## ELECTRICAL REQUIREMENTS

Read these instructions completely and carefully.

**CIRCUIT**—Individual, properly polarized and grounded 15 amp. branch circuit fused with 15 amp. time delay fuse or circuit breaker.

**POWER SUPPLY**—2-wire, with ground, 120 volt, single phase, 60 Hz, Alternating Current.

**OUTLET RECEPTACLE**—Properly grounded 3-prong receptacle to be located so the power supply cord is accessible when the washer is in an installed position.



## GROUNDING REQUIREMENTS

**⚠ WARNING:** Improper connection of the equipment grounding conductor can result in a risk of electrical shock. Check with a licensed electrician if you are in doubt as to whether the appliance is properly grounded.

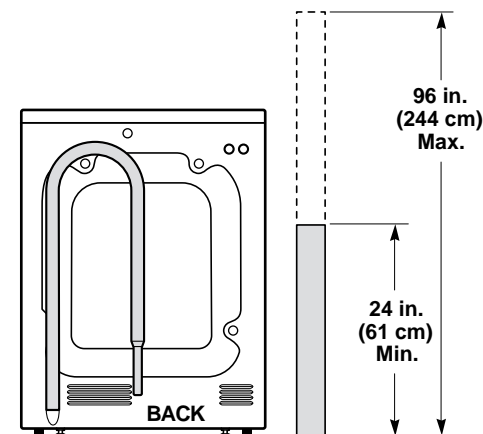
1. The washer **MUST** be grounded. In the event of malfunction or breakdown, grounding will reduce the risk of electrical shock by providing a path of least resistance for electrical current.
2. Since your washer is equipped with a power supply cord having an equipment-grounding conductor and a grounding plug, the plug **MUST** be plugged into an appropriate, copper-wired receptacle that is properly installed and grounded in accordance with all local codes and ordinances or in the absence of local codes, with the National Electrical Codes, ANSI/NFPA 70 (latest edition). If in doubt, call a licensed electrician. **DO NOT** cut off or alter the grounding prong on the power supply cord. In situations where a two-slot receptacle is present, it is the owner's responsibility to have a licensed electrician replace it with a **properly grounded** three-prong grounding-type receptacle.

## WATER SUPPLY REQUIREMENTS

Hot and cold water faucets **MUST** be installed within 42 inches (107 cm) of your washer's water inlet. The faucets **MUST** be 3/4" (1.9 cm) garden hose-type so inlet hoses can be connected. Water pressure **MUST** be between 10 and 120 pounds per square inch (maximum unbalanced pressure, hot vs. cold, 10 psi.) Your water department can advise you of your water pressure. The hot water temperature should be set to deliver water at 120° to 140°F (48°–60°C).

## DRAIN REQUIREMENTS

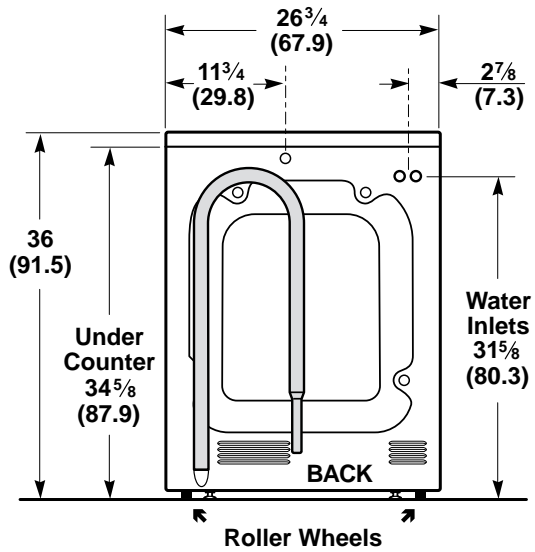
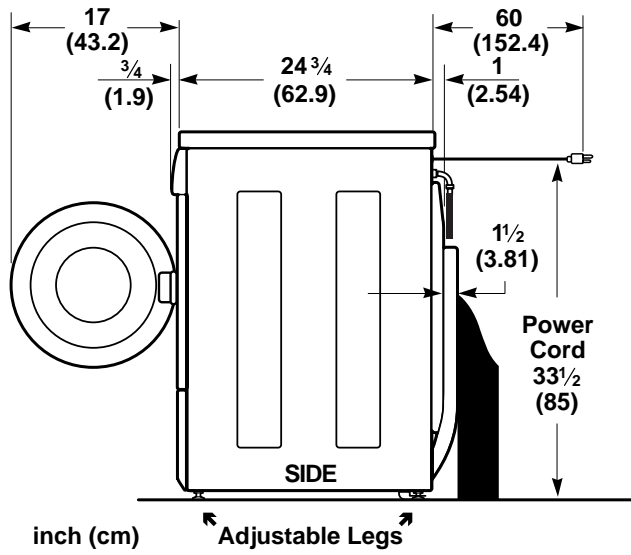
1. Drain capable of eliminating 17 gals (64.3 L) per minute.
2. A standpipe diameter of 1 1/4" (3.18 cm) minimum.
3. The standpipe height above the floor should be:  
Minimum height: 24" (61 cm)  
Maximum height: 96" (244 cm)



**NOTE:** The drain hose attached to the washer can reach a 58" (147 cm) high standpipe. For a higher standpipe, contact an authorized parts distributor. If the drain is less than 24" (61 cm), install a siphon break kit, available at your local hardware store.

# Installation Instructions

## ROUGH-IN DIMENSIONS

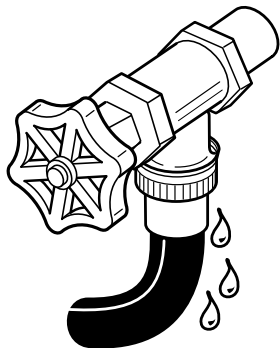




# Installation Instructions

## INSTALLING THE WASHER

1. Run some water from the hot and cold faucets to flush the water lines and remove particles that might clog up the water valve screens.
2. Remove the inlet hoses and rubber washers from the plastic bag and install the rubber washers in each end of the inlet hoses.



3. (90° elbow end)  
Carefully connect the inlet hose marked HOT to the outside "H" outlet of the water valve. Tighten by hand, then tighten another 2/3 turn with pliers. Carefully connect the other inlet hose to the inside "C" outlet of the water valve. Tighten by hand, then tighten another 2/3 turn with pliers. **Do not crossthread or over-tighten these connections.**

4. Connect the inlet hose ends to the HOT and COLD water faucets tightly by hand, then tighten another 2/3 turn with pliers. Turn the water on and check for leaks.

5. Carefully move the washer to its final location. Rollers on the rear of the washer allow for easy movement in undercounter installations. Gently lift up on the front of the washer and slide back.

**NOTE:** Lifting up more than 1/8" will engage the rear legs. Do not use the dispenser drawer or door to lift the washer.

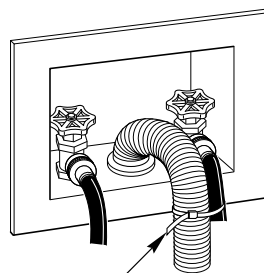
6. With the washer in its final position, place a level on top of the washer (if the washer is installed under a counter, the washer should not be able to rock). Adjust the front leveling legs up or down to ensure the washer is resting solid. Turn the lock nuts on each leg up towards the base of the washer and snug with a wrench.

**NOTE:** Keep the leg extension at a minimum to prevent excessive vibration. The farther out the legs are extended, the more the washer will vibrate.

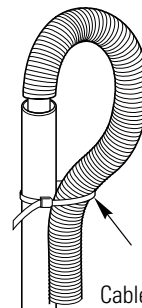
The washer is designed to operate resting on its rear rollers. If the floor is not level or is damaged, you may have to extend the rear leveling legs. For undercounter installations, you can adjust the rear legs by removing the front service panel.

7. Form a U shape on the end of the drain hose with the hose pointed toward the drain. Place the hose in a laundry tub or standpipe and secure it with the cable tie provided in the enclosure package.

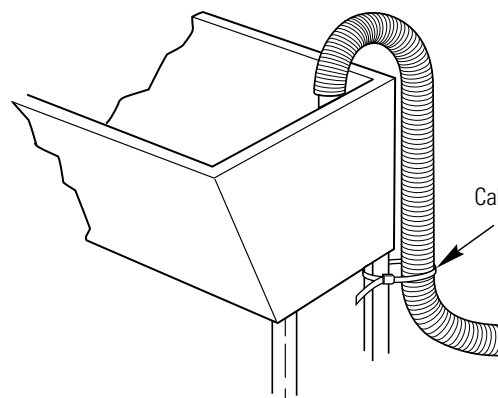
**NOTE:** If the drain hose is placed in a standpipe without forming a U shape, a siphoning action could occur. There must be an air gap around the drain hose. A snug hose fit can also cause a siphoning action.



Cable Tie



Cable Tie



Cable Tie

8. Plug the power cord into a grounded outlet.

**NOTE:** Check to be sure the power is off at a circuit breaker/fuse box before plugging the power cord into an outlet.

9. Turn on the power at a circuit breaker/fuse box.
10. Read the rest of this Owner's Manual. It contains valuable and helpful information that will save you time and money.
11. Run the washer through a complete cycle. Check for water leaks and proper operation.
12. If your washer does not operate, please review the *Before You Call For Service* section before calling for service.
13. Place these instructions in a location near the washer for future reference.

## REPLACEMENT PARTS

If replacement parts are needed for your washer, they can be ordered in the United States by visiting our Website at [www.GEAppliances.com](http://www.GEAppliances.com) or by calling 800-GE-CARES. In Canada, write to Manager, Consumer Relations, Camco Inc., 1 Factory Lane, Suite 310, Moncton, N.B. E1C 9M3.

## Before you call for service...



### Troubleshooting Tips

Save time and money! Review the charts on the following pages first and you may not need to call for service.

<b>WATER</b>	<b>Possible Causes</b>	<b>What To Do</b>
<b>Water leaks</b>	<b>Fill hoses or drain hose is improperly connected</b>	<ul style="list-style-type: none"> <li>• Make sure hose connections are tight at washer and faucets and make sure end of drain hose is correctly inserted in and secured to drain facility.</li> </ul>
	<b>Household drain may be clogged</b>	<ul style="list-style-type: none"> <li>• Check household plumbing. You may need to call a plumber.</li> </ul>
	<b>Constant water pressure to the fill hoses at the water source</b>	<ul style="list-style-type: none"> <li>• Tighten hoses at the faucets and turn the water off after each use.</li> <li>• Check condition of the fill hoses; they may need replacement after 5 years.</li> </ul>
	<b>Oversudsing</b>	<ul style="list-style-type: none"> <li>• Use less detergent or low sudsing detergent.</li> </ul>
<b>Too many suds</b>	<b>Type of detergent</b>	<ul style="list-style-type: none"> <li>• Switch to a low sudsing detergent and follow instructions on package.</li> </ul>
	<b>Very soft water</b>	<ul style="list-style-type: none"> <li>• Try less detergent.</li> </ul>
<b>Water won't drain</b>	<b>Drain hose is kinked or improperly connected</b>	<ul style="list-style-type: none"> <li>• Straighten drain hose and make sure washer is not sitting on it.</li> <li>• Top of drain outlet should be less than 8 ft. (2.5 m) above floor.</li> </ul>
	<b>Household drain may be clogged</b>	<ul style="list-style-type: none"> <li>• Check household plumbing. You may need to call a plumber.</li> </ul>
<b>Water temperature is incorrect</b>	<b>Control is not set properly</b>	<ul style="list-style-type: none"> <li>• Check water temperature control and adjust.</li> </ul>
	<b>Water supply is improperly connected</b>	<ul style="list-style-type: none"> <li>• Make sure hoses are connected to correct faucets.</li> </ul>
	<b>Water valve screens are stopped up</b>	<ul style="list-style-type: none"> <li>• Turn off the water source and remove the water connection hoses from the upper back of the washer. Use a brush or toothpick to clean the screens in the machine. Reconnect the hoses and turn the water back on.</li> </ul>
	<b>House water heater is not set properly</b>	<ul style="list-style-type: none"> <li>• Make sure house water heater is delivering water at 120°F.–140°F. (48°C.–60°C.).</li> </ul>
<b>Water does not enter washer or enters slowly</b>	<b>Water supply is turned off</b>	<ul style="list-style-type: none"> <li>• Turn on both hot and cold faucets fully.</li> </ul>

## Before you call for service...

<b>OPERATION</b>	<b>Possible Causes</b>	<b>What To Do</b>
<b>Washer pauses in cycle</b>	The washer normally pauses between washing steps	
<b>Washer won't operate</b>	<b>Washer is unplugged</b>	• Make sure cord is plugged securely into a working outlet.
	<b>Water supply is turned off</b>	• Turn both hot and cold faucets fully on.
	<b>Circuit breaker/fuse is tripped/blown</b>	• Check house circuit breakers/fuses. Replace fuses or reset breaker. Washer should have separate outlet.
	<b>Controls are not set properly</b>	• Check controls and make sure Cycle knob is pulled out.
	<b>Door is open</b>	• Close door and pull Cycle knob out.
	<b>Dispenser drawer is open</b>	• Close drawer.
	<b>Motor is overheated</b>	• Washer motor will stop if it becomes overheated. It will automatically restart after a cool down period of up to 30 minutes (if washer has not been manually turned off).
<b>Washer won't spin</b>	<b>Washer door open</b>	• Make sure door is closed.
	<b>Dispenser drawer open</b>	• Close drawer.
	<b>Load is too small</b>	• Add one or two similar items to help balance the load.

<b>NOISE</b>	<b>Possible Causes</b>	<b>What To Do</b>
<b>Washer is noisy</b>	<b>Washer is uneven</b>	• Make sure washer is level and rests firmly on the floor.
	<b>Washer load is unbalanced</b>	• Push the Cycle knob in to stop the washer, open the door and redistribute the load evenly. Close the door and restart.
	<b>High pitch jet engine sound</b>	• This is normal during the spin cycle.
	<b>Squealing sound or hot rubber odor</b>	• Washer is overloaded. Stop washer and reduce load.
	<b>Shipping bolts and foam block have not been removed</b>	• See Installation Instructions for directions to remove shipping bolts and foam block.
	<b>Rattling and clanking caused by foreign objects in tub or pump or metal fasteners hitting tub</b>	• Check drum for foreign objects. Turn items with metal fasteners inside out. Call authorized servicer to inspect pump.

<b>PERFORMANCE</b>	<b>Possible Causes</b>	<b>What To Do</b>
<b>Lint or residue on clothes</b>	<b>Incorrect sorting</b>	• Separate lint producers from lint collectors.
	<b>Washing too long</b>	• Excess wash time may create lint.
	<b>Detergent not dissolving</b>	• Try a liquid detergent.
		• Use warmer water temperature.
	<b>Overloading</b>	• Wash drum may be fully loaded with loosely added items.
<b>Incorrect use of fabric softener</b>	• Check fabric softener package for instructions and follow directions for using dispenser.	

<b>(cont.) PERFORMANCE</b>	<b>Possible Causes</b>	<b>What To Do</b>
<b><i>Clothes too wet</i></b>	<b>Load is too small</b>	<ul style="list-style-type: none"> <li>• Add one to two similar items.</li> </ul>
	<b>Load is out of balance</b>	<ul style="list-style-type: none"> <li>• Redistribute load.</li> </ul>
<b><i>Pilling</i></b>	<b>Result of normal wear on poly-cotton blends and fuzzy fabrics</b>	<ul style="list-style-type: none"> <li>• While this is not caused by the washer, you can slow the pilling process by washing garments inside out.</li> </ul>
<b><i>Grayed or yellowed clothes</i></b>	<b>Not enough detergent</b>	<ul style="list-style-type: none"> <li>• Use correct amount of detergent.</li> </ul>
	<b>Hard water</b>	<ul style="list-style-type: none"> <li>• Use hottest water safe for fabric.</li> <li>• Use a water conditioner like Calgon brand or install a water softener.</li> </ul>
	<b>Water is not hot enough</b>	<ul style="list-style-type: none"> <li>• Make sure water heater is delivering water at 120°F.-140°F. (48°C.-60°C.).</li> </ul>
	<b>Detergent is not dissolving</b>	<ul style="list-style-type: none"> <li>• Try a liquid detergent.</li> </ul>
	<b>Dye transfer</b>	<ul style="list-style-type: none"> <li>• Sort clothes by color. If fabric label states <i>wash separately</i>, unstable dyes may be indicated.</li> </ul>
<b><i>Colored spots</i></b>	<b>Incorrect use of fabric softener</b>	<ul style="list-style-type: none"> <li>• Check fabric softener package for instructions and follow directions for using dispenser.</li> </ul>
	<b>Dye transfer</b>	<ul style="list-style-type: none"> <li>• Sort whites or lightly colored items from dark colors.</li> <li>• Promptly remove wash load from washer.</li> </ul>
<b><i>Wrinkling</i></b>	<b>Improper sorting</b>	<ul style="list-style-type: none"> <li>• Avoid mixing heavy items (like work clothes) with light items (like blouses).</li> </ul>
	<b>Overloading</b>	<ul style="list-style-type: none"> <li>• Load your washer so clothes have enough room to move freely.</li> </ul>
	<b>Incorrect wash cycle</b>	<ul style="list-style-type: none"> <li>• Match Cycle selection to the type of fabric you are washing (especially for easy care loads).</li> </ul>
	<b>Repeated washing in water that is too hot</b>	<ul style="list-style-type: none"> <li>• Wash in warm or cold water.</li> </ul>
<b><i>Snags, holes, tears, rips or excessive wear</i></b>	<b>Pins, snaps, hooks, sharp buttons, belt buckles, zippers, and sharp objects left in pockets</b>	<ul style="list-style-type: none"> <li>• Fasten snaps, hooks, buttons, and zippers.</li> <li>• Remove loose items like pins, objects in pockets and sharp buttons.</li> <li>• Turn knits (which snag easily) inside out.</li> </ul>
	<b>Undiluted chlorine bleach</b>	<ul style="list-style-type: none"> <li>• Never add undiluted bleach to wash or allow clothes to come in contact with undiluted bleach. Follow directions for use of bleach dispenser.</li> </ul>
	<b>Chemicals like hair bleach or dye, permanent wave solution</b>	<ul style="list-style-type: none"> <li>• Rinse items that may have chemicals on them before washing.</li> </ul>

<b>Customer Service</b>	<b>Troubleshooting Tips</b>	<b>Installation Instructions</b>	<b>Operating Instructions</b>	<b>Safety Instructions</b>
-------------------------	-----------------------------	----------------------------------	-------------------------------	----------------------------

**Notes.**

---

**Notes.**

---

<b><i>Safety Instructions</i></b>	<b><i>Operating Instructions</i></b>	<b><i>Installation Instructions</i></b>	<b><i>Troubleshooting Tips</i></b>	<b><i>Customer Service</i></b>
-----------------------------------	--------------------------------------	---	------------------------------------	--------------------------------

## GE Washer Warranty. (For customers in the United States)



All warranty service provided by our Factory Service Centers or an authorized Customer Care® technician. For service, call 1-800-GE-CARES.

<b>For The Period Of:</b>	<b>We Will Replace:</b>
<b>One Year</b> From the date of the original purchase	<b>Any part</b> of the washer which fails due to a defect in materials or workmanship. During this <b>full one-year warranty</b> , GE will also provide, <b>free of charge</b> , all labor and in-home service to replace the defective part.
<b>Two Years (WPXH214)</b> From the date of the original purchase	<b>Any part</b> of the washer which fails due to a defect in materials or workmanship. During this <b>additional one-year limited warranty</b> , you will be responsible for any labor or in-home service costs.
<b>Five Years (WPXH214)</b> From the date of the original purchase	<b>The suspension rod and spring assembly</b> , if any of these parts should fail due to a defect in materials or workmanship. GE will also replace the <b>washer lid or cover</b> , if they should rust under operating conditions. During this <b>additional four-year limited warranty</b> , you will be responsible for any labor or in-home service costs.
<b>Five Years (WCXH208 and WSXH208)</b> From the date of the original purchase	<b>Replacement parts for the suspension, outer tub, motor, driven pulley or motor controller</b> which prove to be defective in materials or workmanship. During this <b>additional four-year limited warranty</b> , you will be responsible for any labor or in-home service costs.
<b>Ten Years (WPXH214)</b> From the date of the original purchase	<b>The transmission and washer tub</b> , if any of these parts should fail due to a defect in materials or workmanship. During this <b>additional nine-year limited warranty</b> , you will be responsible for any labor or in-home service costs.
<b>Twenty Years (WCXH208 and WSXH208)</b> From the date of the original purchase	<b>The inner wash basket</b> , that breaks due to defective materials or workmanship. During this <b>additional nineteen-year limited warranty</b> , you will be responsible for any labor or in-home service costs.
<b>Lifetime (WPXH214)</b> From the date of the original purchase	<b>The washer basket</b> , if it should fail due to a defect in materials or workmanship. During this <b>lifetime limited warranty</b> , you will be responsible for any labor or in-home service costs.

### What Is Not Covered (in the United States):

- Service trips to your home to teach you how to use the product.
- Improper installation.
- Failure of the product if it is abused, misused, or used for other than the intended purpose or used commercially.
- Replacement of house fuses or resetting of circuit breakers.
- Damage to the product caused by accident, fire, floods or acts of God.
- Incidental or consequential damage caused by possible defects with this appliance.

This warranty is extended to the original purchaser and any succeeding owner for products purchased for home use within the USA. In Alaska, the warranty excludes the cost of shipping or service calls to your home.

Some states do not allow the exclusion or limitation of incidental or consequential damages. This warranty gives you specific legal rights, and you may also have other rights which vary from state to state. To know what your legal rights are, consult your local or state consumer affairs office or your state's Attorney General.

**Warrantor: General Electric Company. Louisville, KY 40225**



# GE Washer Warranty. (For customers in Canada)



All warranty service provided by our Factory Service Centers or an authorized technician.  
For service, call 1-800-361-3400.

<b>For The Period Of:</b>	<b>We Will Replace:</b>
<b>One Year</b> From the date of the original purchase	<b>Any part</b> of the washer which fails due to a defect in materials or workmanship. During this <b>full one-year warranty</b> , GE will also provide, <b>free of charge</b> , all labor and in-home service to replace the defective part.
<b>Two Years (WPXH214)</b> From the date of the original purchase	<b>Any part</b> of the washer which fails due to a defect in materials or workmanship. During this <b>additional one-year limited warranty</b> , you will be responsible for any labor or in-home service costs.
<b>Five Years (WPXH214)</b> From the date of the original purchase	<b>The suspension rod and spring assembly</b> , if any of these parts should fail due to a defect in materials or workmanship. GE will also replace the <b>washer lid or cover</b> , if they should rust under operating conditions. During this <b>additional four-year limited warranty</b> , you will be responsible for any labor or in-home service costs.
<b>Five Years (WCXH208 and WSXH208)</b> From the date of the original purchase	<b>Replacement parts for the suspension, outer tub, motor, driven pulley or motor controller</b> which prove to be defective in materials or workmanship. During this <b>additional four-year limited warranty</b> , you will be responsible for any labor or in-home service costs.
<b>Ten Years (WPXH214)</b> From the date of the original purchase	<b>The transmission and washer tub</b> , if any of these parts should fail due to a defect in materials or workmanship. During this <b>additional nine-year limited warranty</b> , you will be responsible for any labor or in-home service costs.
<b>Twenty Years (WCXH208 and WSXH208)</b> From the date of the original purchase	<b>The inner wash basket</b> , that breaks due to defective materials or workmanship. During this <b>additional nineteen-year limited warranty</b> , you will be responsible for any labor or in-home service costs.
<b>Lifetime (WPXH214)</b> From the date of the original purchase	<b>The washer basket</b> , if it should fail due to a defect in materials or workmanship. During this <b>lifetime limited warranty</b> , you will be responsible for any labor or in-home service costs.

## What Is Not Covered (in Canada):

- Service trips to your home to teach you how to use the product.
- Improper installation.
- Failure of the product if it is abused, misused, or used for other than the intended purpose or used commercially.
- Replacement of house fuses or resetting of circuit breakers.
- Damage to the product caused by accident, fire, floods or acts of God.
- Incidental or consequential damage caused by possible defects with this appliance.

WARRANTOR IS NOT RESPONSIBLE FOR CONSEQUENTIAL DAMAGES.

Warrantor: CAMCO INC.

## Service Telephone Numbers.



### GE Answer Center® In the U.S.: 800-626-2000

The GE Answer Center® is open 24 hours a day, 7 days a week.

**In Canada**, call 1-800-361-3400.

**OR**

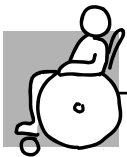
Visit our Website at: [www.GEAppliances.com](http://www.GEAppliances.com)



### In-Home Repair Service In the U.S.: 800-432-2737

Expert GE repair service is only a phone call away.

**In Canada**, call 1-800-361-3400.



### Special Needs Service In the U.S.: 800-626-2000

GE offers, free of charge, a brochure to assist in planning a barrier-free kitchen for persons with limited mobility. **In the U.S., call 800-TDD-GEAC (800-833-4322).**

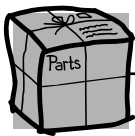
**In Canada**, contact: Manager, Consumer Relations, Camco Inc., 1 Factory Lane, Suite 310, Moncton, N.B., E1C 9M3.



### Service Contracts In the U.S.: 800-626-2224

Purchase a GE service contract while your warranty is still in effect and you'll receive a substantial discount. GE Consumer Service will still be there after your warranty expires.

**In Canada**, call 1-800-461-3636.



### Parts and Accessories In the U.S.: 800-626-2002

Individuals qualified to service their own appliances can have parts or accessories sent directly to their homes (VISA, MasterCard and Discover cards are accepted).

**Instructions contained in this manual cover procedures to be performed by any user. Other servicing generally should be referred to qualified service personnel. Caution must be exercised, since improper servicing may cause unsafe operation.**

**In Canada, please consult your yellow pages for your local Camco number.**



### Service Satisfaction

If you are not satisfied with the service you receive from GE:

**First**, contact the people who serviced your appliance.

**Next**, if you are still not pleased, **in the U.S.**, write all the details—including your phone number—to: Manager, Customer Relations, GE Appliances, Appliance Park, Louisville, KY 40225; or, **in Canada**, to Manager, Consumer Relations, Camco Inc., 1 Factory Lane, Suite 310, Moncton, N.B., E1C 9M3.



# Spacemaker LAVEUSES

*Mesures de sécurité* ..... 3, 4

*Directives de fonctionnement*

Caractéristiques ..... 6, 7

Chargement et utilisation  
de la laveuse ..... 8, 9

Entretien des tissus ..... 10

Réglage des commandes ..... 5

Tableau de commande ..... 5

*Directives d'installation* ..... 11-16

Arrivée d'eau ..... 14

Circuit de vidange ..... 14

Déballage de la laveuse ..... 13

Dimensions ..... 15

Emplacement ..... 12

Installation de la laveuse ..... 16

Installation électrique ..... 14

Pièces de réchange ..... 16

Préparation de la laveuse  
pour installation ..... 11

*Conseils de dépannage* ..... 17-19

*Service à la clientèle*

Garantie pour les clients  
au Canada ..... 23

Garantie pour les clients  
aux É.-U. .... 22

Numéros de service ..... 24

**Manuel de l'utilisateur &  
Directives d'installation**

WCXH208

WSXH208

WPXH214



## Un partenariat de service.



### IMPORTANT!

**Agrafez ici votre facture ou une copie de votre chèque.**

Pour bénéficier de réparations sous garantie, il faut fournir une preuve de la date d'achat d'origine.



### À CONSERVER SOIGNEUSEMENT

**Transcrivez les numéros de modèle et de série ici.**

N°

N°

Vous les trouverez à la partie supérieure de l'ouverture de la porte.



### LISEZ VOTRE MANUEL

Vous y trouverez de nombreux conseils pour l'utilisation et l'entretien de votre laveuse. Ces quelques mesures préventives vous permettront d'économiser du temps et de l'argent, et, ainsi, de prolonger la vie de votre laveuse.



### SI VOUS AVEZ BESOIN DE SERVICE

Vous trouverez des solutions aux problèmes courants que vous pourriez rencontrer dans la section *Avant d'appeler un réparateur*. Et, en consultant d'abord nos *Conseils de dépannage*, vous pourrez peut-être éviter de faire appel à un réparateur.

Si vous avez besoin de service, vous savez que vous n'avez qu'à nous téléphoner. Vous trouverez à la fin du présent manuel les numéros sans frais du service à la clientèle.

**OU**

Visitez notre site Web à : [www.GEAppliances.com](http://www.GEAppliances.com)

# MESURES DE SÉCURITÉ IMPORTANTES. LISEZ D'ABORD TOUTES LES DIRECTIVES.

**⚠ AVERTISSEMENT** Pour votre sécurité, suivez les directives fournies dans le présent manuel afin de minimiser les risques d'incendie, d'explosion et de chocs électriques et prévenir des dégâts matériels et des blessures graves ou mortelles.

Les instructions dans ce manuel et toute autre documentation incluse avec cette laveuse n'ont pas pour but de couvrir toutes les conditions et situations possibles. Il faut prendre des précautions et suivre des méthodes sûres lors de l'installation, de l'utilisation et de l'entretien de tout électroménager.



## SÉCURITÉ DU CHAUFFE-EAU

Dans certaines circonstances, de l'hydrogène peut se former dans le chauffe-eau s'il n'a pas été utilisé pendant deux semaines ou plus. L'hydrogène peut être explosif dans ces conditions.

Si l'eau chaude n'a pas été utilisée depuis deux semaines ou plus, réduisez les risques de dommages ou de blessures en ouvrant tous les robinets d'eau chaude et en laissant couler l'eau pendant plusieurs minutes avant d'utiliser un appareil électrique raccordé au système d'eau chaude. L'hydrogène sera ainsi libéré dans l'atmosphère. Comme c'est un gaz inflammable, ne fumez pas ou n'utilisez pas une flamme nue ou un appareil ménager au cours de ce processus.



## UNE INSTALLATION ADÉQUATE

Avant d'utiliser votre laveuse, assurez-vous qu'elle a été adéquatement installée, conformément aux Directives d'installation.

- Installez ou entreposez la laveuse à l'abri des températures inférieures au point de congélation et des intempéries.
- Mettez la laveuse à la terre conformément à tous les codes et règlements en vigueur. Consultez les Directives d'installation.



## AUTOUR DE VOTRE LAVEUSE

- Évitez toute accumulation de matériaux combustibles (charpie, papiers, chiffons, produits chimiques, etc.) à proximité de vos électroménagers.
- Ne laissez pas le couvercle de la laveuse ouvert. Il pourrait attirer les enfants qui pourraient s'y suspendre ou grimper à l'intérieur de la laveuse.
- Il faut exercer une étroite surveillance lorsque l'appareil fonctionne en présence d'enfants. Ne les laissez pas jouer sur, avec ou à l'intérieur de cet appareil ni d'aucun autre électroménager.

# MESURES DE SÉCURITÉ IMPORTANTES. LISEZ D'ABORD TOUTES LES DIRECTIVES.



## LORSQUE VOUS UTILISEZ LA LAVEUSE

N'utilisez cet appareil que pour l'usage auquel il est destiné, comme expliqué dans le présent manuel.

- Ne mettez jamais la main dans la laveuse pendant qu'elle fonctionne. Attendez que l'appareil se soit complètement arrêté avant d'ouvrir le couvercle.
- Ne mélangez pas de javellisant avec de l'ammoniaque ou des acides (vinaigres ou décapant pour la rouille). Ce mélange peut produire un gaz toxique et mortel.
- Ne lavez pas et ne séchez pas des articles qui ont été lavés ou trempés dans des produits combustibles ou explosifs (cire, huile, peinture, essence, dégraissants, solvants de nettoyage à sec, kérosène, etc.). Ne versez pas ces substances dans l'eau de lavage. N'utilisez pas ces substances à proximité de votre laveuse ou sècheuse pendant qu'elle fonctionne.
- La lessive peut atténuer les propriétés ignifugeantes des tissus. Pour éviter cette situation, suivez les directives données par le fabricant du vêtement.
- Pour réduire les risques de chocs électriques, débranchez toujours l'appareil ou débranchez la laveuse au panneau de distribution en enlevant le fusible ou en déclenchant le disjoncteur avant de la réparer ou de la nettoyer. **REMARQUE** : Le fait de régler le sélecteur de programme sur une position d'arrêt ne coupe **PAS** l'alimentation électrique de l'appareil.
- N'essayez jamais de faire fonctionner l'appareil s'il est endommagé, défectueux, partiellement démonté, si des pièces sont manquantes ou défectueuses ou si le cordon d'alimentation ou la fiche est endommagé.
- Ne claquez pas le couvercle ou n'essayez pas de l'ouvrir lorsqu'il est verrouillé (voyant Door Lock allumé) car vous pourriez endommager la laveuse.
- La laveuse est pourvue d'une protection contre les surcharges. Le moteur arrêtera s'il surchauffe. La laveuse se remettra automatiquement en marche après une période de refroidissement pouvant aller jusqu'à 30 minutes si le contact n'a pas été coupé manuellement entre-temps.



## LORSQUE LA LAVEUSE N'EST PAS UTILISÉE

- Fermez les robinets afin de réduire la pression et les fuites si jamais un boyau ou l'électrovanne se brise ou se rompt. Vérifiez l'état des boyaux de remplissage qui doivent être remplacés tous les 5 ans.
- Avant de jeter ou d'entreposer une laveuse, enlevez le couvercle de l'appareil afin d'empêcher les enfants de se cacher à l'intérieur.
- Ne réparez et ne remplacez aucune pièce de cet appareil, à moins que cela soit spécifiquement recommandé dans le présent manuel ou dans des directives de réparation que vous comprenez et que vous êtes en mesure de suivre.
- Ne trafiquez pas les commandes de l'appareil.

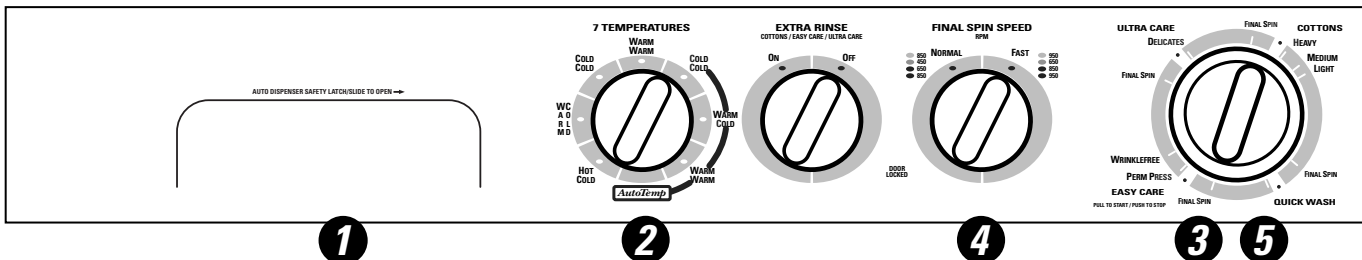


**VEUILLEZ LIRE ET SUIVRE ATTENTIVEMENT CES MESURES DE SÉCURITÉ.  
CONSERVEZ CES DIRECTIVES**

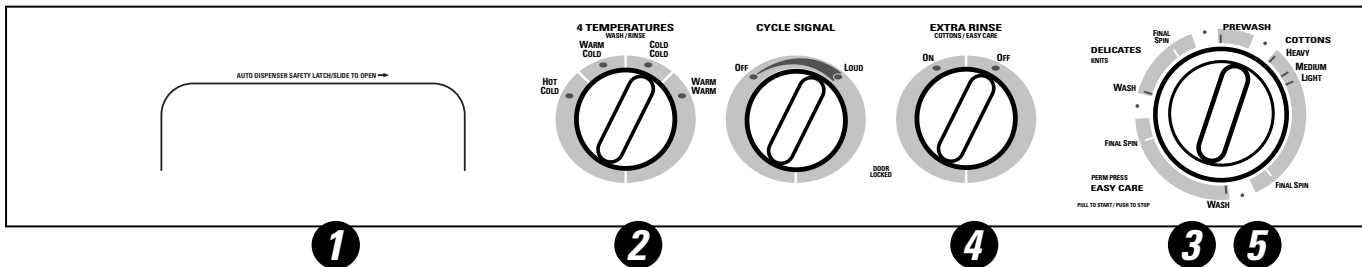
# Les commandes de votre laveuse.

Vous pouvez repérer le numéro de votre modèle à l'arrière du tableau de commande.

## Modèle WPXH214



## Modèles WCXH208 et WSXH208



Les caractéristiques et l'aspect peuvent varier.



## Réglage des commandes.

### 1 Distributeur automatique et loquet de sécurité

Le loquet de sécurité glisse vers la droite pour ouvrir le tiroir. (Le loquet se verrouille de lui-même.) Ajoutez le détergent, le javellisant liquide et l'assouplissant dans ce tiroir.

### 2 Température

Sélectionnez une température d'eau pour les programmes de lavage et de rinçage. Lors de la lessive, observez toujours les directives données sur l'étiquette d'entretien du vêtement.

### 3 Programme de lavage

Le programme de lavage détermine la durée du lavage. Le tableau ci-dessous vous aidera à choisir le programme de lavage qui convient à votre brassée.

**PREWASH (pré-lavage)** Pour les articles très sales et comportant des taches de protéines. Faites suivre ce programme par un programme de lavage complet.

**COTTONS (cotons)** Pour les cotons, le linge de maison et les vêtements de travail ou de jeu légèrement ou très sales.

**EASY CARE (entretien facile)** Pour les articles sans repassage et sans froissage ainsi que les tricotés.

**DELICATES/ULTRACARE (délicats/entretien poussé)** Pour la lingerie et tissus légèrement souillés nécessitant un soin particulier.

**QUICK WASH (lavage rapides)** Pour les articles légèrement souillés dont vous avez rapidement besoin.

### 4 Vitesse d'essorage final (sur certains modèles)

La vitesse d'essorage rapide est réservée aux articles durables.

La vitesse d'essorage normal est utilisée pour les articles délicats comme les pull-overs et la lingerie. Sur le mode de vitesse d'essorage normal, les vêtements ne seront pas aussi secs que si la vitesse d'essorage rapide avait été utilisée.

### 5

Réglez le programme de lavage désiré en poussant le bouton sélecteur de programme et en le tournant dans le sens des aiguilles d'une montre.

Pour mettre la laveuse en marche, fermez le couvercle et tirez le bouton sélecteur de programme.

Pour arrêter la laveuse, poussez le bouton sélecteur de programme; tirez le bouton pour la remettre en marche.

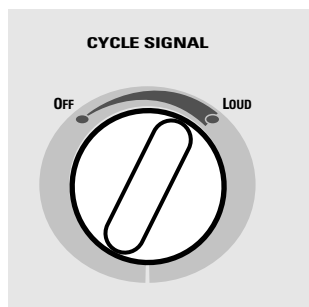
■ La laveuse ne fonctionnera pas si le couvercle est ouvert.

■ Le couvercle se verrouillera automatiquement durant le programme de lavage au complet.



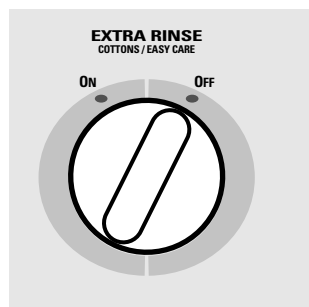
## Les caractéristiques de la laveuse.

REMARQUE : Toutes les caractéristiques ne sont pas disponibles sur tous les modèles.



### **Cycle Signal (Indicateur de fin de programme) (sur certains modèles)**

Lorsque le signal de fin de cycle est ON (activé), ce signal se déclenche à la fin du cycle. Il peut être réglé sur **OFF** (aucun son), **LOUD** (fort) ou sur n'importe quelle position intermédiaire entre **OFF** et **LOUD**.



### **Extra Rinse (Rinçage supplémentaire) (disponible pour certains cycles)**

Faites un rinçage supplémentaire si nécessaire pour éliminer un excès de saleté et de détergent présents sur des brassées souillées.



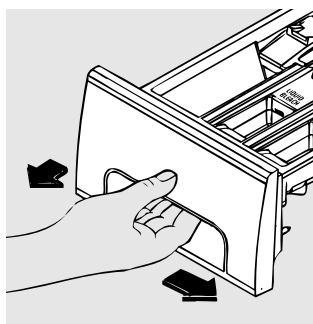
### **Door Locked Indicator Light (voyant indicateur de verrouillage)**

Le voyant est allumé et la porte est fermée lorsque le bouton sélecteur de programme est tiré. L'indicateur s'éteint à la fin du programme.

### **Fonction AutoTemp (contrôle automatique de température) (sur certains modèles)**

La fonction AUTO TEMP (contrôle automatique de température) détecte la température de l'eau admise et règle le remplissage afin d'obtenir la température correcte. Cette fonction n'est activée que si la sélection de la température choisie est **COLD (froide)** ou **WARM (chaude)**.

Par exemple, si l'on a choisi un lavage sur **COLD (froide)**, il est possible que de l'eau chaude soit ajoutée pour obtenir la température nécessaire à une meilleure dissolubilité des détergents. Souvent, cette dissolubilité n'est pas complète dans de l'eau très froide, plus particulièrement dans des climats plus froids.



### Le tiroir-distributeur

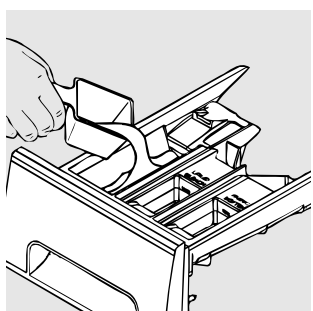
Après avoir glissé le loquet de sécurité vers la droite, tirez lentement le tiroir-distributeur jusqu'à ce qu'il s'arrête.

Après avoir ajouté les produits de lessive, refermez lentement le tiroir-distributeur. Si vous le refermez trop rapidement, le javellisant et l'assouplissant pourraient être libérés trop tôt.

Il se peut que les compartiments de javellisant et d'assouplissant contiennent de l'eau en raison de l'action du siphon. Cela fait partie du fonctionnement normal de la laveuse.



Si le tiroir-distributeur est tiré de plus de 1 1/2 po pendant que la laveuse fonctionne, la laveuse s'arrêtera. Le voyant indicateur de verrouillage s'éteindra et le couvercle se déverrouillera. Fermez lentement le tiroir et la laveuse se remettra en marche automatiquement.

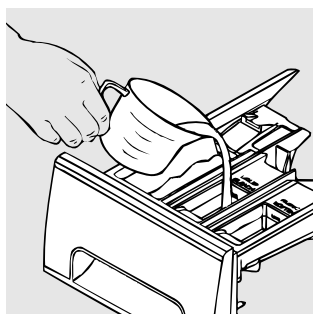


### Le compartiment de détersif


- Ajoutez la quantité de détersif dans le compartiment de détersif du tiroir-distributeur.
- Le détersif est libéré au début du programme. Vous pouvez utiliser du détersif en poudre ou liquide.

**REMARQUE :** Le détersif liquide s'écoulera dans le panier de lavage au moment où vous le verserez.

- On recommande l'utilisation d'un détersif produisant peu de mousse avec cette laveuse. Utilisez la quantité recommandée par le fabricant.
- La quantité de détersif peut être modifiée en fonction de la température de l'eau, de la dureté de l'eau, de la dimension et de la saleté de la charge. N'utilisez pas trop de détersif dans votre laveuse. Cela peut resulter en excès de moussage et résidue de détersif sur les vêtements.

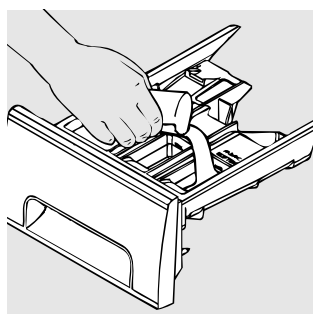


### Le compartiment de javellisant liquide


Si vous désirez utiliser du javellisant, mesurez la quantité recommandée, n'excédant pas 1/3 de tasse (80 ml) et versez-la dans le compartiment identifié « LIQUID BLEACH » et portant le symbole .

Ne dépassez pas la ligne de remplissage maximum car le javellisant pourrait être libéré trop tôt et endommager les vêtements.

**REMARQUE :** N'utilisez pas de javellisant en poudre dans le distributeur.



### Le compartiment d'assouplissant

Si vous désirez utiliser un assouplissant liquide, versez la quantité recommandée dans le compartiment identifié « FABRIC SOFTENER » et portant le symbole .

Diluez la quantité d'assouplissant contenue dans le compartiment avec de l'eau pour atteindre la ligne de remplissage maximum.

Ne dépassez pas la ligne de remplissage maximum car l'assouplissant pourrait être libéré trop tôt et tacher les vêtements.

**REMARQUE :** Ne versez pas d'assouplissant directement sur les vêtements.

## Chargement et utilisation de la laveuse.

Lors de la lessive, observez toujours les directives données sur l'étiquette d'entretien du vêtement.



### Tri du linge

Triez les vêtements en fonction des articles qui peuvent être lavés ensemble.

<b>Couleurs</b>	<b>Saleté</b>	<b>Tissu</b>	<b>Charpie</b>
Blancs	Très sale	Délicat	Tissus qui produisent de la charpie
Couleurs pâles	Moyennement sale	Entretien facile	Tissus qui recueillent la charpie
Couleurs foncées	Peu sale	Cotons et toiles	

- *Combinez de grands et de petits articles dans une même brassée. Chargez les plus gros articles en premier. Ils ne devraient pas constituer plus de la moitié de la brassée totale.*
- *Ne lavez pas un seul article à la fois car il pourrait y avoir déséquilibre de brassée. Ajoutez un ou deux articles similaires.*



### Chargement de la laveuse

Le panier de lavage peut être rempli d'articles lâches. **Ne lavez pas d'articles trempés dans des produits combustibles (cire, produits de nettoyage, etc.).**

Pour ajouter des articles lorsque la laveuse est en marche, poussez le bouton sélecteur de programme et attendez qu'il n'y ait plus d'eau sur le hublot du couvercle. Ne tentez pas d'ouvrir le couvercle lorsqu'il est verrouillé; ouvrez-le doucement. Ajoutez les articles, fermez le couvercle et poussez le bouton sélecteur de programme pour remettre la laveuse en marche.



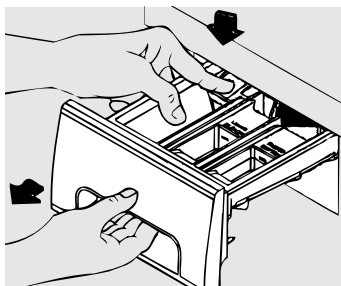
### Entretien et nettoyage de votre laveuse

**Extérieur :** Essuyez immédiatement tout produit renversé avec un linge humide. Évitez de frapper la surface avec des objets tranchants.

**Intérieur :** Essuyez les rebords du couvercle, les joints souples et le hublot du couvercle. Ces endroits devraient toujours être propres pour en assurer l'étanchéité.

**Entreposage et déménagement :** Demandez à un réparateur de vidanger l'eau de la pompe et des boyaux. Entrepochez la laveuse à l'abri des intempéries. Lorsque vous déménagez la laveuse, le panier doit être gardé stationnaire en utilisant des anneaux et des boulons enlevés pendant l'installation. Lisez les directives d'installation dans ce manuel. Si les pièces nécessaires ne sont pas disponibles, vous pouvez les commander aux États-Unis en visitant notre site Web [www.GEAppliances.com](http://www.GEAppliances.com) ou appelez au 800-GE-CARES. Au Canada, écrivez au : Directeur, Relations avec les consommateurs, Camco Inc., 1 Factory Lane, Bureau 310, Moncton, NB E1C 9M3.

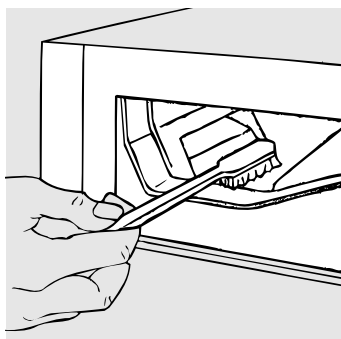
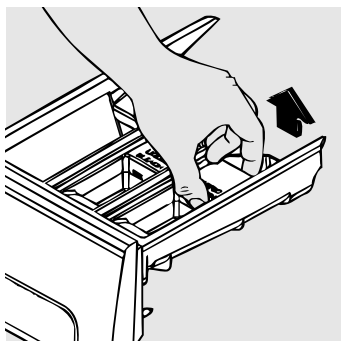
**Vacances prolongées :** Coupez l'alimentation en eau aux robinets. Vidangez l'eau des boyaux si la température risque de descendre sous le point de congélation.



La tige d'arrêt est visible seulement lorsque le tiroir a été tiré vers l'avant

**Le tiroir-distributeur :** Du détergent et de l'assouplissant peuvent s'accumuler dans le tiroir-distributeur. Vous devriez enlever les résidus une ou deux fois par mois.

- Après avoir glissé le loquet de sécurité vers la droite, tirez lentement le tiroir-distributeur jusqu'à ce qu'il s'arrête. Appuyez fermement sur la tige d'arrêt située dans le coin gauche arrière du tiroir en tirant le tiroir.
- Retirez les insertions des compartiments de javellisant et d'assouplissant. Nettoyez les insertions et le tiroir à l'eau chaude pour enlever toute trace de produits de lessive.
- Pour nettoyer l'ouverture du tiroir, utilisez une petite brosse pour nettoyer le logement. Enlever tout résidu dans le haut et le bas du logement.
- Remettez en place les insertions des compartiments de javellisant et d'assouplissant. Remettez le tiroir-distributeur en place et, alors que le panier de lavage est vide, actionnez le programme PREWASH (prélavage) ou QUICK WASH (lavage rapide).



## Chargement et utilisation de la laveuse.



### Étiquettes d'entretien des tissus

Les symboles ci-dessous se trouvent sur les étiquettes d'entretien et ont un effet sur le lavage de vos vêtements.

#### ÉTIQUETTES POUR LE LAVAGE

Programme de lavage						
	Normal	Tissus sans repassage/ résistants aux plis	Doux/ délicat	Lavage à la main	Ne pas laver	Ne pas essorer
Température de l'eau						
	Chaude (50°C/120°F)	Tiède (40°C/105°F)	Froide/fraîche (30°C/85°F)			

#### ÉTIQUETTES POUR LE SÉCHAGE

Séchage par culbutage						
	Sécher	Normal	Tissus sans repassage/ résistants aux plis	Doux/ délicat	Ne pas sécher par culbutage	Ne pas sécher (en combinaison avec ne pas laver)
Réglage de la chaleur						
	Haute	Moyenne	Basse	Sans chaleur/air		
Directives spéciales						
	Séchage sur corde/ pendre pour sécher	Laisser égoutter	Séchage à plat	Séchage à l'ombre		

#### ÉTIQUETTES POUR JAVELLISANT

Symboles d'eau de Javel			
	Toutes les eaux de Javel (si nécessaire)	Eaux de Javel sans chlore (si nécessaire)	Ne pas utiliser d'eau de Javel

# Directives d'installation

# Laveuse Spacemaker

Models **WCXH208**  
**WSXH208**  
**WPXH214**

**Si vous avez des questions, appelez le 1-800-GEARES ou visitez notre site Web à : [www.GEAppliances.com](http://www.GEAppliances.com)**

## AVANT DE COMMENCER :

Lire attentivement la totalité de ces instructions.

- **IMPORTANT** – Sauvegardez ces instructions pour utilisation future par l'inspecteur.
- **IMPORTANT** – Respectez tous les codes et règlements applicables.
- **Note à l'installateur** – Assurez-vous de laisser ces instructions au Consommateur.
- **Note au consommateur** – Gardez ces instructions pour future référence.
- **Niveau de compétence** – L'installation de cet appareil nécessite des connaissances mécaniques et électriques de base.
- **Temps de travail prévu** – 1 à 3 heures
- L'installateur est responsable d'effectuer une installation correcte.
- Tout problème causé par une installation incorrecte n'est pas couvert par la garantie.

## POUR VOTRE SÉCURITÉ :

### ⚠ AVERTISSEMENT

- Cet appareil doit être convenablement mis à la terre et installé de la façon décrite aux *Directives d'installation*.
- N'installez pas ou n'entreposez pas cet appareil dans un endroit où il sera exposé à l'eau/la température extérieure. Veuillez vous référer à la section *Emplacement de votre laveuse*.
- **REMARQUE** : Il faut que cet appareil soit convenablement relié à la terre et que l'installation électrique soit conforme aux prescriptions des codes et règlements locaux et de la dernière édition du Code national des installations électriques ANSI/NFPA 70, ou au Canada, de la norme ACNOR C22.1 1<sup>re</sup> partie—Code canadien de l'électricité.

# Directives d'installation

## Emplacement

### Ne pas installer la laveuse :

1. Là où elle serait exposée aux intempéries ou à un écoulement d'eau. Pour la production d'un bon lavage, la température ambiante ne devrait jamais être inférieure à 60°F (15,6°C).
2. Dans un endroit où la laveuse pourrait se trouver en contact avec des rideaux ou tentures.
3. Sur du tapis. Il **FAUT** un plancher dur de pente inférieure à 1/2 po par pied (1,27 cm par 30,5 cm). Il peut être nécessaire de renforcer le plancher pour que la laveuse ne vibre pas et n'ait pas tendance à se déplacer.

### IMPORTANT :

#### Valeurs minimales des dégagements de séparation

- Installation dans une alcôve : côtés, arrière et sommet = 0 po (0 cm)
- Installation dans un placard : côtés, arrière et sommet = 0 po (0 cm), Avant = 1 po (2,54 cm)
- Ouvertures de ventilation nécessaires dans la porte du placard : 2 ouvertures à jalousie de 60 po<sup>2</sup> (387 cm<sup>2</sup>), à 3 po (7,6 cm) du sommet et du bas de la porte.

#### Installation sous un plan de travail

Lors de l'installation de la laveuse sous un plan de travail,\* on **DOIT** installer l'ensemble 14-A037 (disponible chez les distributeurs de pièces agréés).

\*Plan de travail de taille spéciale nécessaire.

#### Installation dans une maison mobile

L'installation doit satisfaire les prescriptions de la norme ANSI A119.1 (maisons mobiles) et de la loi de 1974 (PL93-383)–Normes de sécurité et de fabrication des maisons mobiles (É.-U).

## Outillage nécessaire pour l'installation de la laveuse

- Tourne-écrou 1/4 po
- Clé à cliquet et douille 3/8 po
- Clé plate 3/8 po
- Clé à cliquet et douille 7/16 po
- Clé plate 9/16 po
- Pincés Channel-lock réglables
- Niveau

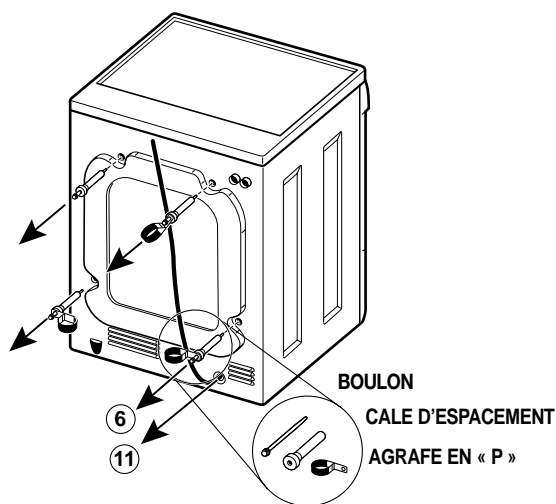


# Directives d'installation

## Déballage de la laveuse

**AVERTISSEMENT :** Après le déballage, détruire la caisse de carton et les sacs de plastique. Des enfants pourraient jouer avec. Une caisse de carton recouverte de tapis, couvre-lits ou feuilles de plastique peut former une cavité étanche à l'air où un enfant pourrait suffoquer. Jeter tous les matériaux à la poubelle et veiller à les rendre inaccessibles aux enfants.

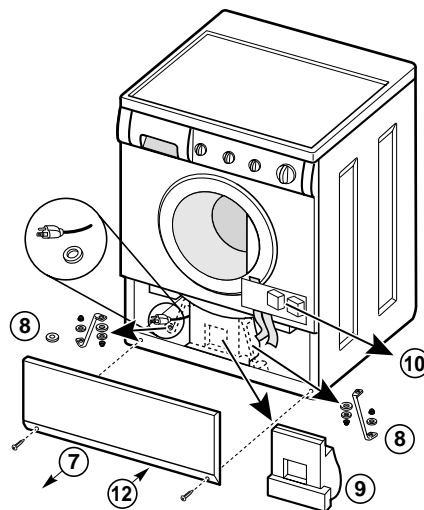
1. Découper la boîte d'emballage selon la ligne pointillée à la base.
2. Placer prudemment la laveuse encore emballée sur sa face arrière.
3. Enlever la base de polystyrène.
4. Redresser la laveuse, et enlever la boîte d'emballage.
5. Déplacer prudemment la laveuse jusqu'à moins de 4 pi (122 cm) de son emplacement final.
6. Enlever les articles suivants à l'arrière de la laveuse :
  - 4 boulons,
  - 4 cales d'espacement de plastique jaune,
  - 3 agrafes métalliques en « P ».



7. Enlever le panneau de l'ouverture de service à l'avant de la laveuse.
8. Enlever les 4 écrous et 6 grandes rondelles fixant les deux entretoises jaunes sur le tambour et la base. Soulever le tambour et enlever les entretoises (les articles à enlever sont identifiés par un ruban jaune). On doit enlever ces entretoises pour pouvoir libérer le cordon d'alimentation de la bague d'immobilisation.

**REMARQUE :** Si les entretoises ne sont pas enlevées, la laveuse peut être très déséquilibrée.

9. Enlever le gros bloc de polystyrène sous le tambour. Soulever le tambour, incliner la base du bloc de polystyrène vers l'intérieur/vers l'arrière de la laveuse pour le dégager, puis retirer le bloc.
10. Enlever/jeter le ruban jaune et l'étiquette, à l'avant de la laveuse.



11. À l'arrière de la laveuse, extraire prudemment le cordon d'alimentation à travers le trou de la tôle arrière.
12. Réinstaller le panneau de l'ouverture de service et les vis.

**Gardez les boulons, les rondelles, les cales d'espacement, les anneaux, les agrafes et les blocks pour plus tard.**

**REMARQUE :** S'il est plus tard nécessaire de déménager la laveuse, il faudra réinstaller les articles de support placés avant l'expédition, pour que la laveuse ne subisse pas de dommages. Conserver tous ces articles dans le sachet de plastique fourni.

# Directives d'installation

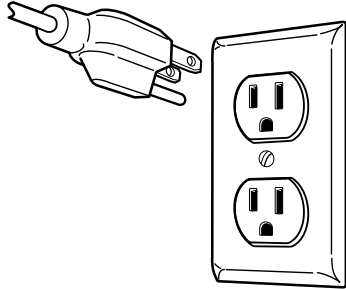
## Renseignements sur les raccords électriques

**Lire attentivement la totalité de ces instructions.**

**CIRCUIT**—Circuit indépendant de 15 A avec prise de courant reliée à la terre et convenablement polarisée; protection par disjoncteur ou fusible temporisé de 15 A.

**SOURCE D'ALIMENTATION**—120 volts, 60 Hz, monophasé; câble à 2 conducteurs d'alimentation et conducteur de liaison à la terre.

**PRISE DE COURANT**—Prise de courant à 3 alvéoles convenablement reliée à la terre, accessible pour le branchement depuis l'emplacement d'installation de la laveuse.



## Raccordement à la terre

**AVERTISSEMENT :** Si le conducteur de liaison à la terre de la laveuse n'est pas convenablement connecté, il y aura un risque de choc électrique. En cas de doute quant à la qualité de la liaison à la terre de la laveuse, consulter un électricien qualifié.

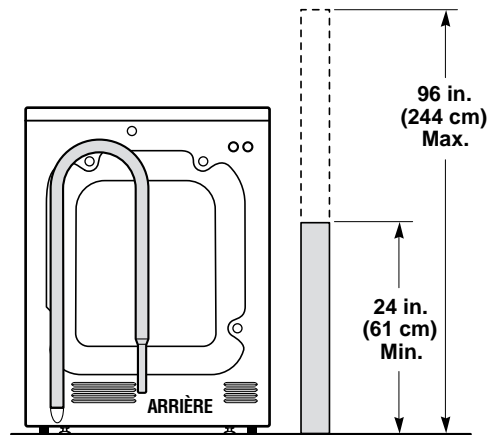
1. La laveuse **DOIT** être reliée à la terre. En cas d'anomalie ou de panne, la liaison à la terre réduit le risque de choc électrique en offrant une voie de retour du courant vers la terre.
2. La laveuse est dotée d'un cordon d'alimentation à trois conducteurs avec fiche de branchement à 3 broches, pour liaison à la terre; la fiche **DOIT** être branchée sur une prise de courant de même configuration, convenablement installée et reliée à la terre conformément aux prescriptions des codes et règlements locaux, ou en l'absence de code local, conformément aux prescriptions du Code national des installations électriques ANSI/NFPA 70 (dernière édition). En cas de doute quant à la qualité de la liaison à la terre, consulter un électricien qualifié. **NE PAS** arracher la broche de liaison à la terre de la fiche de branchement. Si la prise de courant disponible ne comporte que deux alvéoles, c'est au propriétaire qu'incombe la responsabilité de demander à un électricien qualifié de la remplacer par une prise de courant à trois alvéoles, **convenablement reliée à la terre.**

## Arrivée d'eau

On **DOIT** installer les robinets d'eau chaude et d'eau froide à moins de 42 po (107 cm) des raccords d'alimentation de la laveuse. Il **DOIT** s'agir de robinets dotés d'un filetage de 3/4 po (1,9 cm), pour raccordement des tuyaux d'arrosage de jardin. La pression d'alimentation **DOIT** être de 10 à 120 lb/po<sup>2</sup> (différence maximale de 10 lb/po<sup>2</sup> entre eau chaude et eau froide). Le service local de distribution d'eau peut communiquer la pression de distribution. Régler le chauffe-eau pour la production d'eau chaude de 120° à 140°F (48° à 60°C).

## Circuit de vidange

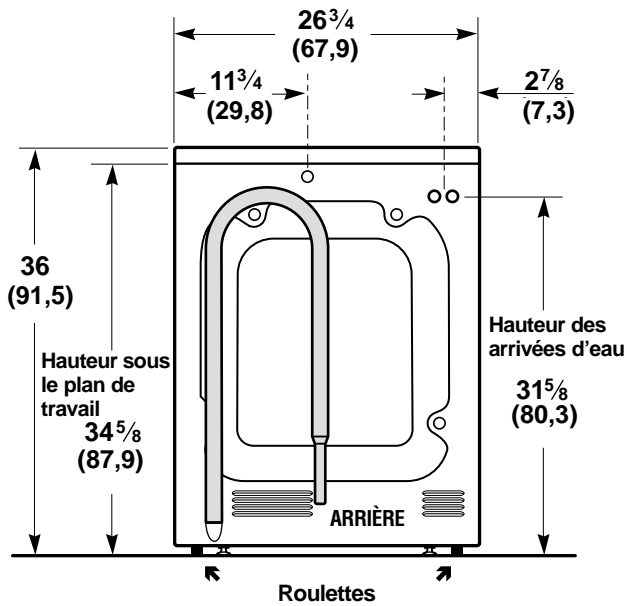
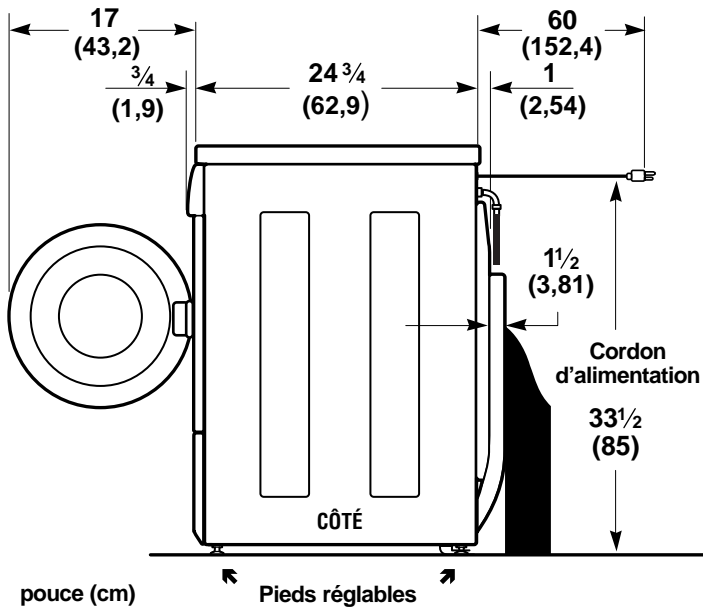
1. Canalisation capable d'évacuer 17 gal. (64,3 L) par minute.
2. Canalisation d'évacuation verticale de diamètre 1 1/4 po (3,18 cm) minimum.
3. Hauteur de la canalisation verticale au-dessus du sol :  
Minimum 24 po (61 cm)  
Maximum 96 po (244 cm)



**REMARQUE :** Le tuyau de vidange flexible connecté à la laveuse est assez long pour qu'on puisse l'introduire dans une canalisation verticale dont l'orifice est à 58 po (147 cm) du sol. Si la canalisation verticale est plus haute, contacter un distributeur de pièces agréé. Si la hauteur de la canalisation verticale est inférieure à 24 po (61 cm), installer un dispositif brise-siphon (disponible dans toute quincaillerie locale).

# Directives d'installation

## Dimensions d'ébauchage



## Installation de la laveuse

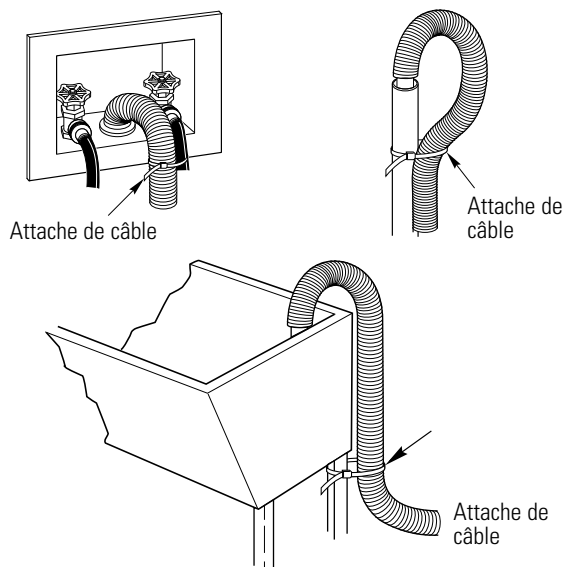
1. Ouvrir les robinets et laisser l'eau couler, pour qu'elle entraîne tous les débris éventuellement présents qui pourraient obstruer les tamis des raccords d'alimentation de la laveuse.
2. Enlevez du sac en plastique les tuyaux d'arrivée et les rondelles caoutchouc et installez les rondelles à chaque extrémité.
3. (Quatre-vingt-dix degré des coudes) Branchez soigneusement le tuyau d'arrivée marqué HOT (CHAUDE) à la sortie inférieure "H" de la soupape d'eau. Serrez à la main, puis serrez encore de 2/3 de tour à l'aide de pinces. Branchez soigneusement l'autre tuyau d'arrivée à la sortie supérieure "C" de la soupape d'eau. Serrez à la main, puis serrez encore de 2/3 de tour à l'aide de pinces. **Ne faus-sez pas le filetage et ne serrez pas trop ces raccords.**
4. Connecter les tuyaux d'alimentation sur les raccords d'entrée d'eau CHAUDE et d'eau FROIDE; serrer à la main; serrer ensuite de 2/3 de tour avec une pince. Ouvrir les robinets; inspecter pour rechercher les fuites d'eau.
5. Déplacer prudemment la laveuse jusqu'à son emplacement final. Les galets de roulement à l'arrière facilitent le mouvement pour l'installation sous un plan de travail. Soulever doucement l'avant de la laveuse et faire glisser vers l'arrière.

**REMARQUE :** Un soulèvement de plus de 1/8 po provoque la mise en contact des pieds arrière. Ne pas prendre prise sur le tiroir ou la porte pour soulever la laveuse.

6. Lorsque la laveuse est à sa position finale, placer un niveau dessus (dans le cas de l'installation sous un plan de travail, la laveuse ne devrait plus pouvoir osciller). Ajuster la longueur des pieds avant pour que la laveuse soit fermement en appui sur le sol. Visser l'écrou de chaque pied jusqu'à la base et serrer avec une clé.

**REMARQUE :** Minimiser la longueur de déploiement des pieds pour minimiser les vibrations. La laveuse vibrera d'autant plus que la longueur de déploiement des pieds est plus grande.

La laveuse est conçue pour qu'elle repose sur les galets de roulement arrière. Si le sol n'est pas horizontal ou est endommagé, il peut être nécessaire de déployer les pieds arrière. Dans le cas de l'installation sous un plan de travail, on doit enlever le panneau de l'ouverture d'accès pour accéder aux pieds arrière pour le réglage.



7. Recourber l'extrémité du tuyau de vidange pour former un U. Accrocher le tuyau sur le bord d'un bac de buanderie ou dans la canalisation d'évacuation verticale, et immobiliser le tuyau avec l'attache de câble fournie.

**REMARQUE :** Si le tuyau de vidange est introduit dans la canalisation verticale sans qu'il forme une courbe en U, un effet de siphon peut se produire. Il faut qu'il y ait un espace d'air autour du tuyau, car une connexion étanche peut également provoquer un effet de siphon.

8. Brancher le cordon d'alimentation sur une prise de courant reliée à la terre.

**REMARQUE :** Avant de brancher le cordon d'alimentation sur la prise de courant, vérifier que le circuit d'alimentation n'est pas alimenté (disjoncteur ouvert/fusible enlevé).

9. Rétablir l'alimentation électrique au niveau du tableau de distribution (disjoncteur ou fusible).
10. Lire le reste de ce manuel. Il contient de l'information très utile qui permet d'économiser temps et argent.
11. Commander l'exécution d'un programme de lavage complet. Inspecter pour rechercher les fuites et contrôler le bon fonctionnement.
12. Si la laveuse ne fonctionne pas correctement, consulter la section *Avant d'appeler un réparateur*.
13. Conserver ce manuel d'instructions en lieu sûr pour consultation ultérieure.

## Pièces de rechange

Pour ordre des pièces de rechange pour votre laveuse aux États-Unis, visitez notre site Web [www.GEAppliances](http://www.GEAppliances) ou appelez au no 800-GE-CARES. Au Canada, écrivez au Directeur, Relations avec la clientèle, Camco Inc., 1 Factory Lane, Suite 310, Moncton, N.B. E1C 9M3.

## Avant d'appeler un réparateur...



*Conseils de dépannage*  
*Économisez du temps et de l'argent! Consultez d'abord*  
*les tableaux qui suivent et vous pourrez peut-être éviter*  
*de faire appel à un réparateur.*

<b>EAU</b>	<b>Causes possibles</b>	<b>Correctifs</b>
<b>Fuites d'eau</b>	<b>Boyaux de remplissage ou boyau de vidange mal raccordés</b>	<ul style="list-style-type: none"> <li>• Assurez-vous que les boyaux sont bien raccordés aux robinets et que l'extrémité du boyau de vidange est solidement insérée dans le renvoi.</li> </ul>
	<b>Renvoi bouché</b>	<ul style="list-style-type: none"> <li>• Vérifiez la plomberie. Vous aurez peut-être besoin d'appeler un plombier.</li> </ul>
	<b>Pression d'eau constante aux boyaux de remplissage raccordés</b>	<ul style="list-style-type: none"> <li>• Serrez les boyaux aux robinets et fermez les robinets après chaque utilisation.</li> <li>• Vérifiez l'état des boyaux de remplissage; ils ont peut-être besoin d'être remplacés après cinq ans.</li> </ul>
	<b>Excès de mousse</b>	<ul style="list-style-type: none"> <li>• Utilisez moins de détergent ou un détergent produisant peu de mousse.</li> </ul>
<b>Moussage excessif</b>	<b>Type de détergent</b>	<ul style="list-style-type: none"> <li>• Adoptez un détergent qui mousse moins et suivez les directives sur l'emballage.</li> </ul>
	<b>Eau très douce</b>	<ul style="list-style-type: none"> <li>• Utilisez moins de détergent.</li> </ul>
<b>La laveuse ne se vide pas</b>	<b>Boyaux de vidange pincés ou mal raccordés</b>	<ul style="list-style-type: none"> <li>• Redressez le boyau de vidange et assurez-vous qu'il n'est pas coincé sous la laveuse.</li> <li>• La partie supérieure du boyau de vidange doit être à moins de 8 pi (2,5 m) au-dessus du sol.</li> </ul>
	<b>Renvoi bouché</b>	<ul style="list-style-type: none"> <li>• Vérifiez la plomberie. Vous aurez peut-être besoin d'appeler un plombier.</li> </ul>
<b>La température de l'eau est incorrecte</b>	<b>Commandes mal réglées</b>	<ul style="list-style-type: none"> <li>• Vérifiez le sélecteur de température de l'eau et réglez-le.</li> </ul>
	<b>Mauvais raccords aux robinets</b>	<ul style="list-style-type: none"> <li>• Assurez-vous que chaque boyau est raccordé au bon robinet.</li> </ul>
	<b>Rondelles-filtres de l'électrovanne obstruées</b>	<ul style="list-style-type: none"> <li>• Fermez le robinet et dévissez les boyaux à l'arrière supérieur de la laveuse. Utilisez une brosse ou un cure-dent pour nettoyer les rondelles-filtres de la laveuse. Raccordez de nouveau les boyaux et ouvrez les robinets.</li> </ul>
	<b>Température incorrecte de l'eau du chauffe-eau</b>	<ul style="list-style-type: none"> <li>• Assurez-vous que la température de l'eau du chauffe-eau varie entre 120 °F et 140 °F (48 °C et 60 °C).</li> </ul>
<b>L'eau ne parvient pas à la laveuse ou pénètre lentement</b>	<b>Robinetts fermés</b>	<ul style="list-style-type: none"> <li>• Ouvrez complètement les robinets d'eau chaude et d'eau froide.</li> </ul>

## Avant d'appeler un réparateur...

<b>FONCTIONNEMENT</b>	<b>Causes possibles</b>	<b>Correctifs</b>
<b>La laveuse s'arrête pendant les programmes</b>	Pauses normales entre les étapes de lavage	
<b>La laveuse ne fonctionne pas</b>	Laveuse non branchée	• Assurez-vous que le cordon d'alimentation est bien branché dans une prise opérationnelle.
	Robinets fermés	• Ouvrez complètement les robinets d'eau chaude et d'eau froide.
	Disjoncteur déclenché/ fusible grillé	• Vérifiez les disjoncteurs/fusibles de la résidence. Remplacez le fusible ou réenclenchez le disjoncteur. La laveuse doit être branchée dans une prise distincte.
	Commandes mal réglées	• Vérifiez les commandes et assurez-vous que le sélecteur de programme est tiré.
	Couvercle ouvert	• Fermez le couvercle et tirez sur le sélecteur de programme.
	Tiroir-distributeur ouvert	• Fermez le tiroir.
<b>La laveuse n'essore pas</b>	Moteur surchauffe	• Le moteur arrêtera s'il surchauffe. La laveuse se remettra automatiquement en marche après une période de refroidissement pouvant aller jusqu'à 30 minutes (si le contact n'a pas été coupé manuellement entre-temps).
	Couvercle ouvert	• Assurez-vous que le couvercle est fermé.
	Tiroir-distributeur ouvert	• Fermez le tiroir.
	Charge trop petite	• Ajoutez un ou deux articles similaires pour équilibrer la charge.
<b>BRUIT</b>	<b>Causes possibles</b>	<b>Correctifs</b>
<b>La laveuse est bruyante</b>	La laveuse n'est pas de niveau	• Assurez-vous que la laveuse est de niveau et stable sur le plancher.
	Brassée mal répartie	• Appuyez sur le sélecteur de programme pour arrêter la laveuse. Ouvrez le couvercle et répartissez uniformément les vêtements. Fermez le couvercle et remettez en marche.
	Son aigu de moteur de jet	• Situation normale durant l'essorage.
	Bruit de crissement ou odeur de caoutchouc brûlé	• La laveuse est surchargée. Arrêtez la laveuse et réduisez la brassée.
	Les tiges d'expédition et les blocs de mousse n'ont pas été enlevés	• Référez-vous au Directives d'installation pour obtenir les directives concernant l'enlèvement des tiges d'expédition et des blocs de mousse.
	Sonnements et cliquetis causés par des corps étrangers dans la cuve ou la pompe, ou des attaches métalliques frappant la cuve	• Vérifiez le panier de linge à la recherche de corps étrangers. Retournez les articles pourvus d'attaches métalliques à l'envers. Appelez le service à la clientèle pour faire inspecter la pompe.
<b>RENDEMENT</b>	<b>Causes possibles</b>	<b>Correctifs</b>
<b>Charpie ou résidus sur les vêtements</b>	Tri incorrect	• Séparez les tissus qui produisent de la charpie de ceux qui la recueillent.
	Lavage trop long	• Un lavage trop long peut produire de la charpie.
	Détersif non dissout	• Essayez un détersif liquide. • Utilisez de l'eau plus chaude.
	Surcharge	• Le panier de linge peut être rempli d'articles lâches.
	Utilisation incorrecte de l'assouplissant	• Vérifiez les directives sur la bouteille d'assouplissant et suivez les directives pour l'utilisation du distributeur.

<b>RENDEMENT (suite)</b>	<b>Causes possibles</b>	<b>Correctifs</b>
<b>Vêtements trop mouillés</b>	<b>Brassée trop petite</b>	<ul style="list-style-type: none"> <li>• Ajoutez un ou deux articles similaires.</li> </ul>
	<b>Brassée non équilibrée</b>	<ul style="list-style-type: none"> <li>• Remplacez les vêtements.</li> </ul>
<b>Boulochage</b>	<b>Usure normale des tissus duveteux et en coton-polyester</b>	<ul style="list-style-type: none"> <li>• Même s'il n'est pas causé par la laveuse, vous pouvez atténuer ce problème en lavant les vêtements à l'envers.</li> </ul>
<b>Vêtements grisâtres ou jaunis</b>	<b>Quantité insuffisante de détersif</b>	<ul style="list-style-type: none"> <li>• Utilisez plus de détersif.</li> </ul>
	<b>Eau dure</b>	<ul style="list-style-type: none"> <li>• Utilisez l'eau la plus chaude possible en fonction du tissu.</li> <li>• Utilisez un adoucisseur, comme celui de marque Calgon, ou installez un adoucisseur d'eau.</li> </ul>
	<b>Eau pas assez chaude</b>	<ul style="list-style-type: none"> <li>• Assurez-vous que la température de l'eau de votre chauffe-eau varie entre 120 °F et 140 °F (48 °C et 60 °C).</li> </ul>
	<b>Détersif non dissout</b>	<ul style="list-style-type: none"> <li>• Essayez un détersif liquide.</li> </ul>
	<b>Transfert de teinture</b>	<ul style="list-style-type: none"> <li>• Triez votre linge par couleur. Si l'étiquette de votre vêtement est marquée <i>laver séparément</i>, il est possible que celui-ci ne soit pas bon teint.</li> </ul>
<b>Taches de couleur</b>	<b>Utilisation incorrecte de l'assouplissant</b>	<ul style="list-style-type: none"> <li>• Vérifiez les directives sur la bouteille d'assouplissant et suivez les directives pour l'utilisation.</li> </ul>
	<b>Transfert de colorant</b>	<ul style="list-style-type: none"> <li>• Séparez les articles blancs et de couleur pâle des vêtements de couleur foncée.</li> <li>• Enlever la charge de la laveuse dès que la lessive est terminée.</li> </ul>
<b>Faux-plis</b>	<b>Tri incorrect</b>	<ul style="list-style-type: none"> <li>• Évitez de laver des articles lourds (comme des vêtements de travail) avec des articles légers (comme des blouses).</li> </ul>
	<b>Surcharge</b>	<ul style="list-style-type: none"> <li>• Assurez-vous que les vêtements ont suffisamment de place pour bouger librement.</li> </ul>
	<b>Programme de lavage incorrect</b>	<ul style="list-style-type: none"> <li>• Choisissez les programmes en fonction du type de tissu lavé (surtout les vêtements à entretien facile).</li> </ul>
	<b>Lavage répété dans une eau trop chaude</b>	<ul style="list-style-type: none"> <li>• Lavez dans une eau tiède ou froide.</li> </ul>
<b>Fils tirés, trous, déchirures, usure excessive</b>	<b>Épingles, boutons-pression, crochets, boutons pointus, boucles de ceinture, fermetures éclair et objets pointus laissés dans les poches</b>	<ul style="list-style-type: none"> <li>• Attachez les boutons-pression, crochets, boutons, et remontez les fermetures éclair.</li> <li>• Enlevez les articles lâches, comme les épingles, les objets dans les poches et les boutons pointus.</li> <li>• Tournez les tricots (dont les fils se tirent facilement) à l'envers.</li> </ul>
	<b>Javellisant à base de chlore non dilué</b>	<ul style="list-style-type: none"> <li>• Ne versez jamais de javellisant non dilué dans la laveuse ou sur les vêtements. Suivez les directives pour l'utilisation du distributeur de javellisant.</li> </ul>
	<b>Produits chimiques tels que décolorants capillaires, teintures, solutions à permanente</b>	<ul style="list-style-type: none"> <li>• Rincez les articles imbibés de ces produits avant de les laver.</li> </ul>

<b>Service à la clientèle</b>	<b>Conseils de dépannage</b>	<b>Directives d'installation</b>	<b>Fonctionnement</b>	<b>Mesures de sécurité</b>
-------------------------------	------------------------------	----------------------------------	-----------------------	----------------------------

## **Notes.**

---



## **Notes.**

---

**Mesures de sécurité**

**Fonctionnement**

**Directives d'installation**

**Conseils de dépannage**

**Service à la clientèle**

## Garantie de votre laveuse GE. (Pour la clientèle aux États-Unis)



Toutes les réparations sous garantie seront effectuées par nos centres de réparation ou nos réparateurs autorisés Customer Care®. Appelez le 1-800-GE-CARES.

### Pour une période de : Nous remplacerons :

<b>Un an</b> À compter de la date d'achat d'origine	<b>Toute pièce</b> de la laveuse qui se révèle défectueuse en raison d'un vice de matériaux ou de fabrication. Pendant cette <b>garantie complète d'un an</b> , GE fournira également, <b>gratuitement</b> , tous les frais de main-d'œuvre et de déplacement du réparateur à votre domicile pour remplacer la pièce défectueuse.
<b>Deux ans (WPXH214)</b> À compter de la date d'achat d'origine	<b>Toute pièce</b> de la laveuse qui se révèle défectueuse en raison d'un vice de matériaux ou de fabrication. Pendant cette <b>garantie limitée complémentaire de un an</b> , vous devez assumer tous les frais de main d'œuvre et de déplacement du réparateur à votre domicile.
<b>Cinq ans (WPXH214)</b> À compter de la date d'achat d'origine	<b>La tige de suspension, l'ensemble du ressort et du moteur</b> , si l'une de ces pièces se révèle défectueuse en raison d'un vice de matériaux ou de fabrication. GE remplacera également <b>tout couvercle, dessus de laveuse et cabinet</b> qui rouille suite à une utilisation normale. Pendant cette <b>garantie limitée complémentaire de quatre ans</b> , vous devez assumer tous les frais de main d'œuvre et de déplacement du réparateur à votre domicile.
<b>Cinq ans (WCXH208 et WSXH208)</b> À compter de la date d'achat d'origine	<b>Pièces de remplacement pour la suspension, la cuve, le moteur, la poulie d'entraînement ou le contrôleur de moteur</b> , si l'une de ces pièces se révèle défectueuse en raison d'un vice de matériaux ou de fabrication. Pendant cette <b>garantie limitée complémentaire de quatre ans</b> , vous devez assumer tous les frais de main-d'œuvre et de déplacement du réparateur à votre domicile.
<b>Dix ans (WPXH214)</b> À compter de la date d'achat d'origine	<b>La transmission et la cuve de la laveuse</b> , si l'une de ces pièces se révèle défectueuse en raison d'un vice de matériaux ou de fabrication. Pendant cette <b>garantie limitée complémentaire de neuf ans</b> , vous devez assumer tous les frais de main d'œuvre et de déplacement du réparateur à votre domicile.
<b>Vingt ans (WCXH208 et WSXH208)</b> À compter de la date d'achat d'origine	<b>Le panier de la laveuse</b> , si celui-ci se révèle défectueux en raison d'un vice de matériaux ou de fabrication. Pendant cette <b>garantie limitée complémentaire de dix-neuf ans</b> , vous devez assumer tous les frais de main-d'œuvre et de déplacement de réparateur à votre domicile.
<b>À vie (WPXH214)</b> À compter de la date d'achat d'origine	<b>Le panier de la laveuse</b> , si celui-ci se révèle défectueux en raison d'un vice de matériaux ou de fabrication. Pendant cette <b>garantie limitée à vie</b> , vous devez assumer tous les frais de main d'œuvre et de déplacement de réparateur à votre domicile.

### Ce qui n'est pas couvert (aux États-Unis) :

- Toute visite à votre domicile pour vous expliquer le fonctionnement de l'appareil.
- Une installation inadéquate.
- Toute défectuosité du produit lorsqu'il est utilisé de façon abusive, à des fins commerciales ou à toute autre fin que celle pour laquelle il a été conçu.
- Le remplacement des fusibles ou le réenclenchement des disjoncteurs du panneau de distribution.
- Tout dommage au produit attribuable à un accident, un incendie, une inondation ou un cas de force majeure.
- Tout dommage direct ou indirect en raison d'une défectuosité éventuelle de cet appareil.

Cette garantie est offerte à l'acheteur initial, ainsi qu'à tout propriétaire subséquent d'un produit acheté en vue d'une utilisation domestique aux États-Unis. Les frais d'expédition ou les appels de service à domicile sont exclus en Alaska.

Dans certains États, il est interdit d'exclure ou de limiter les dommages directs ou indirects. La présente garantie vous confère des droits juridiques spécifiques. Vous pouvez bénéficier d'autres droits, qui varient d'un État à un autre. Pour connaître les droits dont vous bénéficiez, communiquez avec le bureau des Relations avec les consommateurs de votre région ou de votre État ou avec le Procureur Général de votre État.

**Garant : General Electric Company, Louisville, KY 40225**

## Garantie de votre laveuse GE. (Pour la clientèle au Canada)



Toutes les réparations sous garantie seront effectuées par nos centres de réparation ou nos réparateurs autorisés. Appelez le 1-800-361-3400.

### Pour une période de : Nous remplacerons :

<b>Un an</b> À compter de la date d'achat d'origine	<b>Toute pièce</b> de la laveuse qui se révèle défectueuse en raison d'un vice de matériaux ou de fabrication. Pendant cette <b>garantie complète d'un an</b> , GE fournira également, <b>gratuitement</b> , tous les frais de main-d'œuvre et de déplacement du réparateur à votre domicile pour remplacer la pièce défectueuse.
<b>Deux ans (WPXH214)</b> À compter de la date d'achat d'origine	<b>Toute pièce</b> de la laveuse qui se révèle défectueuse en raison d'un vice de matériaux ou de fabrication. Pendant cette <b>garantie limitée complémentaire de un an</b> , vous devez assumer tous les frais de main d'œuvre et de déplacement du réparateur à votre domicile.
<b>Cinq ans (WPXH214)</b> À compter de la date d'achat d'origine	<b>La tige de suspension, l'ensemble du ressort et du moteur</b> , si l'une de ces pièces se révèle défectueuse en raison d'un vice de matériaux ou de fabrication. GE remplacera également <b>tout couvercle, dessus de laveuse et cabinet</b> qui rouille suite à une utilisation normale. Pendant cette <b>garantie limitée complémentaire de quatre ans</b> , vous devez assumer tous les frais de main d'œuvre et de déplacement du réparateur à votre domicile.
<b>Cinq ans (WCXH208 et WSXH208)</b> À compter de la date d'achat d'origine	<b>Pièces de remplacement pour la suspension, la cuve, le moteur, la poulie d'entraînement ou le contrôleur de moteur</b> , si l'une de ces pièces se révèle défectueuse en raison d'un vice de matériaux ou de fabrication. Pendant cette <b>garantie limitée complémentaire de quatre ans</b> , vous devez assumer tous les frais de main-d'œuvre et de déplacement du réparateur à votre domicile.
<b>Dix ans (WPXH214)</b> À compter de la date d'achat d'origine	<b>La transmission et la cuve de la laveuse</b> , si l'une de ces pièces se révèle défectueuse en raison d'un vice de matériaux ou de fabrication. Pendant cette <b>garantie limitée complémentaire de neuf ans</b> , vous devez assumer tous les frais de main d'œuvre et de déplacement du réparateur à votre domicile.
<b>Vingt ans (WCXH208 et WSXH208)</b> À compter de la date d'achat d'origine	<b>Le panier de la laveuse</b> , si celui-ci se révèle défectueux en raison d'un vice de matériaux ou de fabrication. Pendant cette <b>garantie limitée complémentaire de dix-neuf ans</b> , vous devez assumer tous les frais de main-d'œuvre et de déplacement de réparateur à votre domicile.
<b>À vie (WPXH214)</b> À compter de la date d'achat d'origine	<b>Le panier de la laveuse</b> , si celui-ci se révèle défectueux en raison d'un vice de matériaux ou de fabrication. Pendant cette <b>garantie limitée à vie</b> , vous devez assumer tous les frais de main d'œuvre et de déplacement de réparateur à votre domicile.

### Ce qui n'est pas couvert (au Canada) :

- Toute visite à votre domicile pour vous expliquer le fonctionnement de l'appareil.
- Une installation inadéquate.
- Toute défectuosité du produit lorsqu'il est utilisé de façon abusive, à des fins commerciales ou à toute autre fin que celle pour laquelle il a été conçu.
- Le remplacement des fusibles ou le réenclenchement des disjoncteurs du panneau de distribution.
- Tout dommage au produit attribuable à un accident, un incendie, une inondation ou un cas de force majeure.
- Tout dommage direct ou indirect en raison d'une défectuosité éventuelle de cet appareil.

LE FABRICANT NE SERA PAS TENU RESPONSABLE DES DOMMAGES INDIRECTS.

Garant : CAMCO INC.

Mesures de sécurité

Fonctionnement

Directives d'installation

Conseils de dépannage

Service à la clientèle

## Numéros de service Camco.



### GE Answer Center® aux É.-U. : 800-626-2000

Le GE Answer Center® est ouvert 24 heures par jour, 7 jours par semaine.

**Au Canada**, composez le 1-800-361-3400.

**OU**

Visitez notre site Web à : [www.GEAppliances.com](http://www.GEAppliances.com)



### Réparations à domicile aux É.-U. : 800-432-2737

Pour faire réparer votre électroménager GE, il appelez le service de réparation Expert.

**Au Canada**, composez le 1-800-361-3400.



### Besoins particuliers aux É.-U. : 800-626-2000

GE offre gratuitement une brochure permettant de planifier l'aménagement d'une cuisine adaptée aux personnes à mobilité réduite. **Aux É.-U., composez le 800-TDD-GEAC (800-833-4322).**

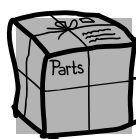
**Au Canada**, écrivez au : Directeur, Relations avec les consommateurs, Camco Inc., 1 Factory Lane, Suite 310, Moncton, NB E1C 9M3.



### Contrats d'entretien aux É.-U. : 800-626-2224

Achetez un contrat d'entretien GE avant que votre garantie n'expire et bénéficiez d'un rabais substantiel. Ainsi le service après-vente GE sera toujours là après expiration de la garantie.

**Au Canada**, composez le 1-800-461-3636.



### Pièces et accessoires aux É.-U. : 800-626-2002

Ceux qui désirent réparer eux-mêmes leurs électroménagers peuvent recevoir pièces et accessoires directement à la maison (cartes VISA, MasterCard et Discover acceptées).

**Les directives stipulées dans le présent manuel peuvent être suivies par n'importe quel utilisateur. Les autres réparations doivent généralement être effectuées par un technicien qualifié. Soyez prudent, car une réparation inadéquate peut affecter le fonctionnement sécuritaire de l'appareil.**

**Au Canada**, veuillez consulter les pages jaunes pour connaître le numéro de la succursale Camco la plus proche.



### Un service satisfaisant

Si vous n'êtes pas satisfait du service après-vente dont vous avez bénéficié :

**Premièrement**, communiquez avec les gens qui ont réparé votre appareil.

**Ensuite**, si vous n'êtes toujours pas satisfait, envoyez tous les détails—numéro de téléphone compris—

**aux É.U.** : Manager, Customer Relations  
GE Appliances, Appliance Park,  
Louisville, KY 40225

**au Canada** : Directeur, Relations avec les consommateurs, Camco Inc., 1 Factory Lane,  
Bureau 310, Moncton, NB E1C 9M3.