



Vent-Free Gas Room Heaters: Models: UVS33RN, UVS33RP UVS36RN, UVS36RP

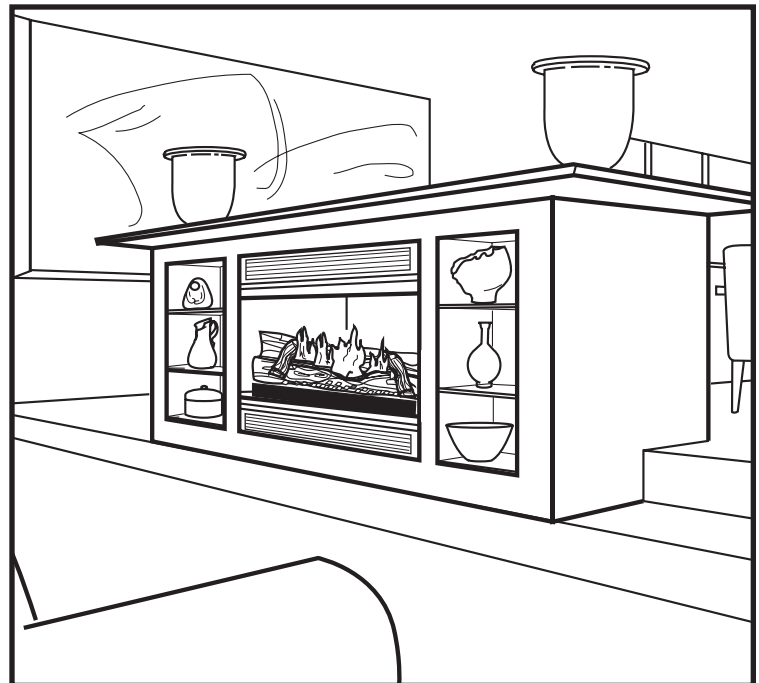
PLEASE READ THIS MANUAL BEFORE INSTALLING AND USING HEATERS

IMPORTANT: Read all instructions and warnings carefully before starting installation. Failure to follow these instructions may result in a possible fire hazard and will void the warranty.

WARNING: If the information in this manual is not followed exactly, a fire or explosion may result causing property damage, personal injury or loss of life.

- Do not store or use gasoline or other flammable vapors and liquids in the vicinity of this or any other appliance.
- What to Do If You Smell Gas
 - Do not try to light any appliance.
 - Do not touch any electrical switch; do not use any phone in your building.
 - Immediately call your gas supplier from a neighbor's phone. Follow the gas supplier's instructions.
 - If you cannot reach your gas supplier, call the fire department.
- Installation and service must be performed by a qualified installer, service agency or the gas supplier.

This is an unvented gas-fired heater. It uses air (oxygen) from the room in which it is installed. Provisions for adequate combustion and ventilation air must be provided.



Homeowner's Installation and Operating Instructions



INSTALLER: Leave this manual with the appliance.
CONSUMER: Retain this manual for future reference.

Table of Contents

PLEASE READ THE INSTALLATION & OPERATING INSTRUCTIONS BEFORE USING APPLIANCE.

Thank you and congratulations on your purchase of a Majestic fireplace.

IMPORTANT: Read all instructions and warnings carefully before starting installation. Failure to follow these instructions may result in a possible fire hazard and will void the warranty.

Installation & Operating Instructions

Important Curing/Burning Instructions	3
Fireplace Dimensions	4
Safety Devices	5
Description	5
Orifice Conversion Instructions	5
Clearance to Combustibles	5
Mantels	6
Hearth Extension	6
Planning	6
Mounting the Heater	6
Framing	7
Insulating for Cold Climates	7
Gas Specifications	7
Gas Inlet and Manifold Pressures	8
Hig Elevations	8
Gas Supply Pressures	8
Gas Line Connection	8
Electrical Connection	8
Hard (Direct) Wire Hook-Up	9
EB1 (Receptacle) Hook-Up	9
Remote Wall Switch	9
Alternate Switch Location	10
Finishing	10

Operating Instructions

Louvre Removal	11
Window Frame Removal	11
Log Installation UVS33	11
Log Installation UVS36	11
Ember Material Placement	12
Lava Rock	12
First Firing	12
Odor During Operation	12
Flame Adjustment	12
Flame Characteristics	12
Lighting and Operating Instructions	14
Troubleshooting	15

Maintenance

Cleaning the Standing Pilot Control System	16
--	----

Replacement Parts

.....	17
-------	----

Optional Accessories

Fan Kits	19
Electrical Connection	19
Remote Controls	19
Outside Air Termination	19
Ceramic Brick Liner	19
Decorative Bay Screen Kit	19
Decorative Frame Trims	20
Glass/Catalyst Kit	20
Decorative Bay Window	21

Warranty

.....	23
-------	----

Installation & Operating Instructions

This gas room heater should be installed by a qualified installer in accordance with local building codes and with current National Fuel Gas Code ANSI Z223.1/NFPA 54.

This heater shall not be installed in a confined space or unusually tight construction unless provisions are provided for adequate combustion and ventilation air.

This appliance is for supplemental heating only. It should not be used as the primary heat source for a dwelling.

The National Fuel Gas Code, ANSI Z223.1/NFPA 54 defines a confined space as a space whose volume is less than 50 cubic feet per 1,000 Btu per hour (4.8m³ per kw) of the aggregate input rating of all appliances installed in that space and an unconfined space as a space whose volume is not less than 50 cubic feet per 1,000 Btu per hour (4.8 m³ per kw) of the aggregate input rating of all appliances installed in that space and an unconfined space as a space whose volume is not less than 50 cubic feet per 1,000 Btu per hour (4.8m³ per kw) of the aggregate input rating of all appliances installed in that space. Rooms communicating directly with the space in which the appliances are installed, through openings not furnished with doors, are considered a part of the unconfined space.

WARNING: If the area in which the heater may be operated is smaller than that defined as an unconfined space or if the building is of unusually tight construction, provide adequate combustion and ventilation air by one of the methods, described in the National Fuel Gas Code, ANSI Z 223.1/NFPA 54, Section 5.3 or applicable local codes."

Unusually tight construction is defined as construction where:

- Walls and ceilings exposed to the outside atmosphere have a continuous water vapor retarder with a rating of 1 perm (6 x 10-11 kg per pa-sec-m²) or less with openings gasketed or sealed, and
- Weather stripping has been added on openable windows and doors, and
- Caulking or sealants are applied to areas such as joints around window and door frames, between sole plates and floors, between wall-ceiling joints, between wall panels, at penetrations for plumbing, electrical, and gas lines, and at other openings.

Fireplace screen (when equipped) must be closed while the appliance is in operation.

FOR SAFE INSTALLATION AND OPERATION OF YOUR VENT-FREE ROOM HEATER PLEASE NOTE THE FOLLOWING:

- This heater gives off high temperatures and should be located out of high traffic areas and away from furniture and draperies.
- Children and adults should be alerted to the hazards of the high temperature surface of this heater and should stay away to avoid burns or ignition of clothing.
- Children should be carefully supervised when they are in the same room as the heater.
- Under no circumstances should this heater be modified. Parts removed for service should be replaced prior to operating this heater again.
- Installation and any repairs to this heater should be carried out by a qualified service person. A professional service person should be contacted to inspect this heater annually. Make it a practice to have all of your gas heaters checked

annually. More frequent cleaning may be required due to excess lint and dust from carpeting, bedding material, etc.

- Control compartments, burners and air passages in this heater should be kept clean and free of dust and lint. Make sure the gas valve and pilot light are turned off before you attempt to clean this unit.
- Under no circumstances should any solid fuels (wood, coal, paper or cardboard, etc.) be used in this heater.
- Keep the area around your heater clear of combustible materials, gasoline and other flammable vapor and liquids. This heater should not be used as a drying rack for clothing, nor should Christmas stockings or decorations be hung in the area of it.
- Whether the heater is installed directly on carpeting, vinyl tile or any combustible material other than wood, this heater must be installed on a metal or wood panel extending the full width and depth of the heater.
- Do not install heater in bathroom.
- Heater may be installed in bedroom when orificed at 10,000 BTU or as per local codes.
- Do not use this heater if any part has been under water. Immediately call a qualified service technician to inspect room heater and to replace any part of control system and any gas control which has been under water.

WARNING: Do not install televisions or other electronic devices above this fireplace unless approved by the electronics manufacturer.

This appliance may be installed in an aftermarket, permanently located, manufactured (mobile) home, where not prohibited by local codes.

This appliance is only for use with the type of gas indicated on the rating plate. This appliance is not convertible for use with other gases.

Proposition 65 Warning: Fuels used in gas, wood-burning or oil fired appliances, and the products of combustion of such fuels, contain chemicals known to the State of California to cause cancer, birth defects and other reproductive harm.
California Health & Safety Code Sec. 25249.6

IMPORTANT:

Please Review the Following Carefully

It is normal for fireplaces fabricated of steel to give off some expansion and/or contraction noises during the start up or cool down cycle. Similar noises are found with your furnace heat exchanger or car engine.

It is not unusual for your gas fireplace to give off some odor the first time it is burned. This is due to the curing of the paint and any undetected oil from the manufacturing process.

Please ensure that your room is well ventilated - open all windows.

It is recommended that you burn your fireplace for a least six (6) hours the first time you use it. If optional fan kit has been installed, place fan in the "OFF" position during this time.

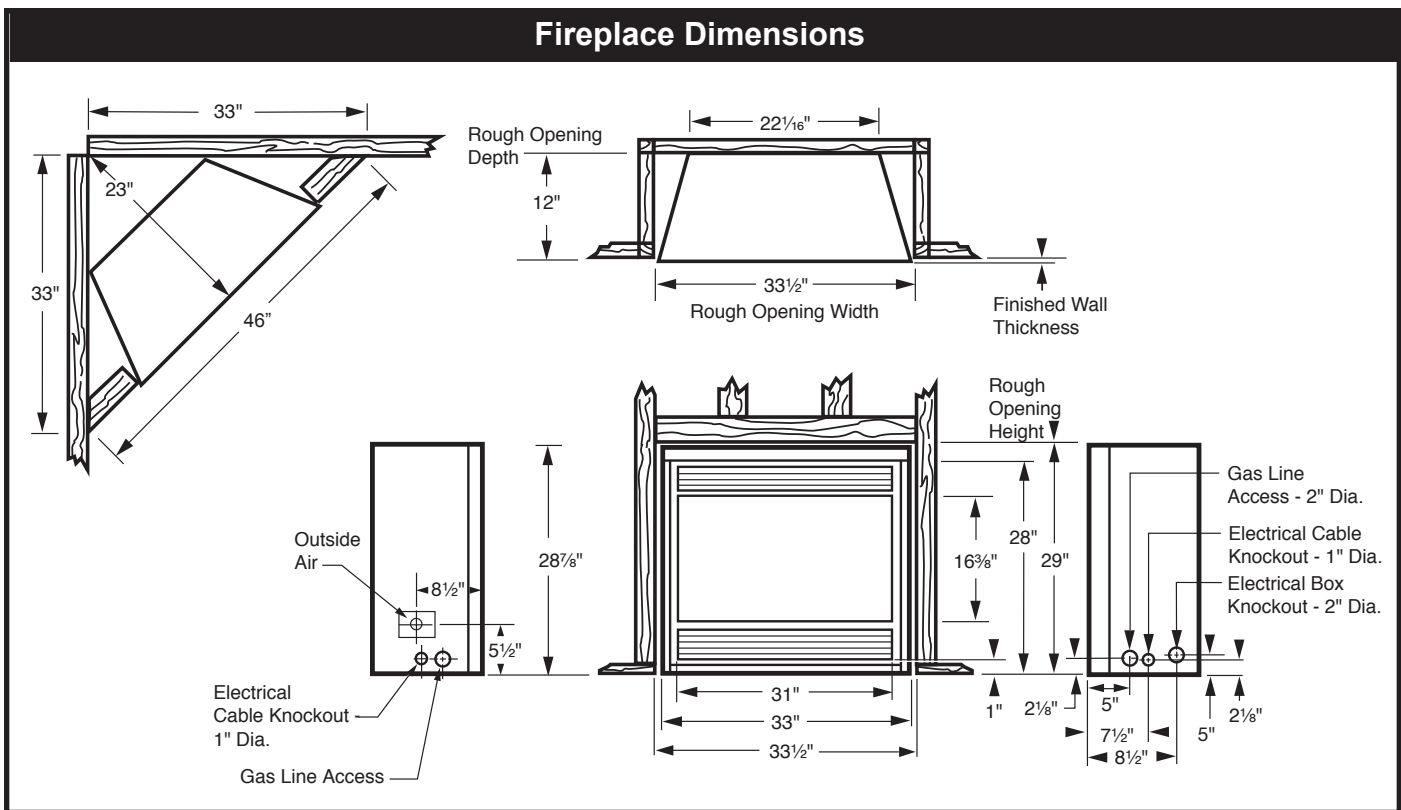


Fig. 1 UVS33 specifications and framing.

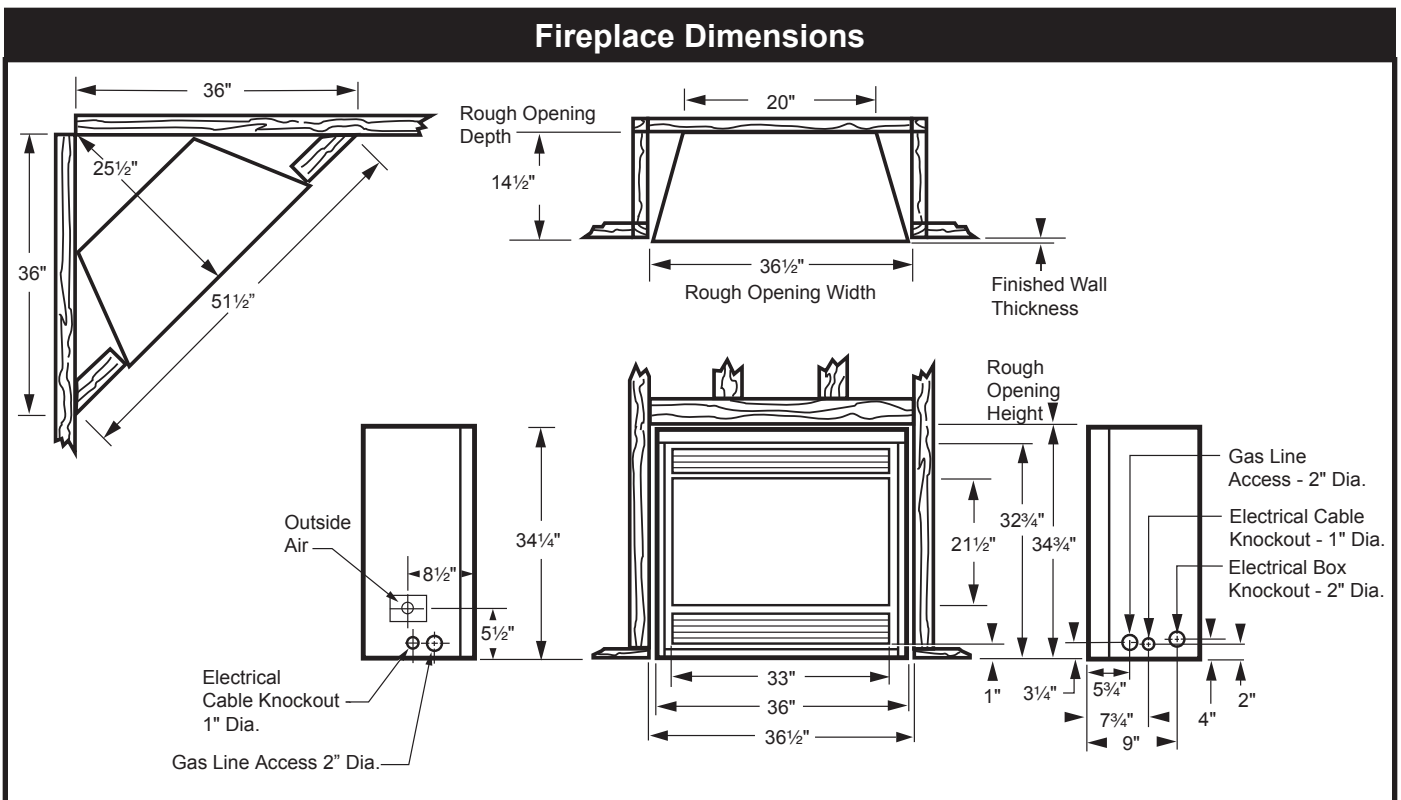


Fig. 2 UVS36 specifications and framing.

Safety Devices

Adequate combustion and ventilation air must be provided. The flow of combustion and ventilation air **MUST NOT** be obstructed.

Provide adequate clearances around the air opening into the combustion chamber; and adequate accessibility clearance for servicing and proper operation. **NEVER** obstruct the front opening of the heater or cover the top and bottom louvres (grilles).

These heaters are equipped with a pilot system featuring an Oxygen Depletion Sensor (O.D.S.) shut-off device. The O.D.S. pilot will shut down the heater when there is not enough fresh air available.

Report any parts damaged in shipment to your dealer.

Description

The UVS vent-free heaters uses a frame window with screen mesh that does not use any catalytic filters.

This model is available as Natural or Propane gas, equipped with a standing pilot.

Design-certified to ANSI Z21.11.2a-2003 Unvented Room Heaters.

The UVS33 model is shipped at 20,000 BTU/hr. It includes orifices for operation at 15,000 and 10,000 BTU/hr. When operating at 10,000 BTU/hr, the unit is approved for bedroom use. Based on the National Fuel Gas Code and local codes, please match the correct orifice size and BTU's to corresponding room size. This conversion must not be completed in the field. Once final rate is established, remaining orifices are to be discarded, not left behind with the fireplace.

Orifice Conversion Instructions

1. Locate burner with tiles, pilot shield and orifice.
2. Unscrew two hex nuts connecting pilot shield to burner with tiles. Move pilot shield to right. (Fig. 2)
3. Remove sheet metal screws at left and right side of burner with tiles and remove burner.
4. Use 7/16" wrench to remove orifice. (Fig. 3) Install desired orifice in place of orifice just removed. See Table 3 . Use approved pipe compound for pipe threads.
5. Remove air shutter, if necessary (Refer to Table 1), from burner pan by removing shutter retaining screw then air shutter. (Fig. 4)
6. Install correct air shutter on burner pan. Replace shutter retaining screw. Adjust the air shutter to the appropriate settings as listed in Table 1.
7. Reinstall burner with tiles and pilot shield. Check for leaks with soapy water solution.

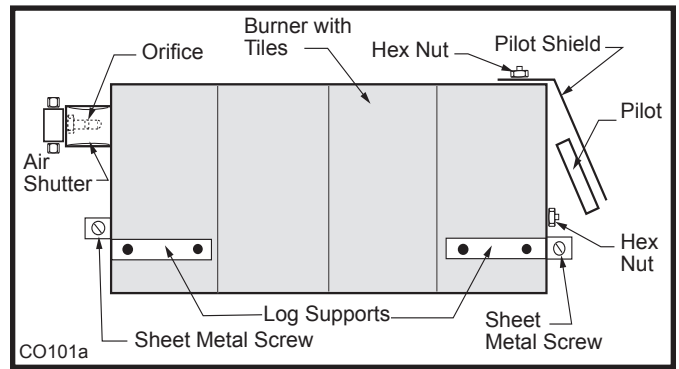


Fig. 2 Manifold assembly and orifice location.

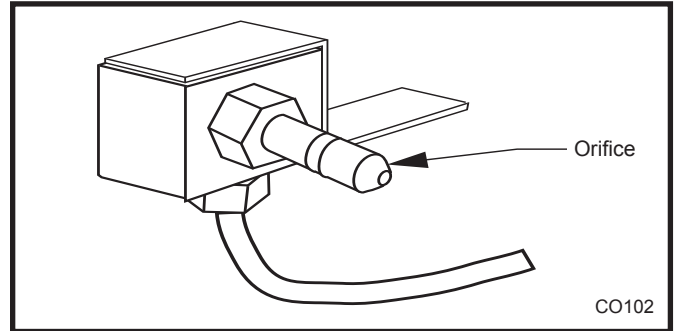


Fig. 3 Replace orifice.

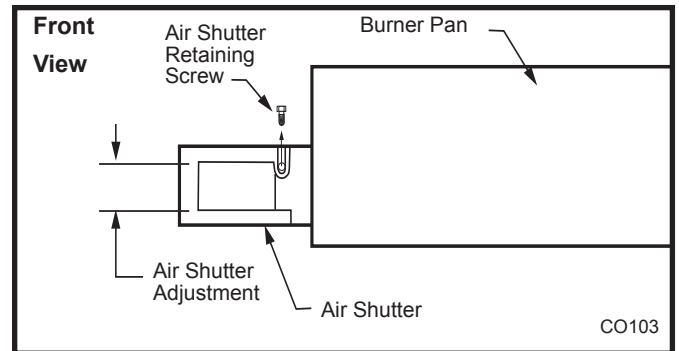


Fig. 4 Use appropriate air shutter and adjust according to Table 1.

Clearance to Combustibles

- Top of unit to ceiling..... 36" (914 mm)
- Front of unit to combustibles 36" (914 mm)

Appliance

- Top 0" (0 mm)
- Bottom..... 0" (0 mm)
- Sides 0" (0 mm)
- Back..... 0" (0 mm)
- Perpendicular Sidewall 6" (152 mm)

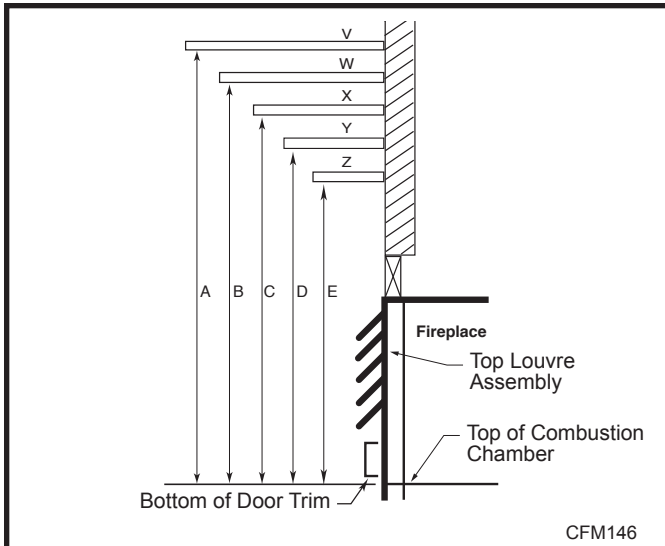
Mantels

Depending on the width of the mantel, it may be installed higher or lower from the combustion chamber opening. This also applies to the distance between the mantel leg (if installed) and the fireplace. Refer to Figures 5a and 5b for correct mounting heights and widths for combustible mantels and mantel legs.

Noncombustible mantels and legs may be installed at any height above the appliance opening.



When using paint or lacquer to finish the mantel, such paint or lacquer must be heat resistant to prevent discoloration.



Ref.	Mantel Shelf Depth	Ref.	Mantel From Top of Comb. Chamber
V	10" (254 mm)	A	19½" (495 mm)
W	8" (203 mm)	B	17½" (444 mm)
X	6" (152 mm)	C	15½" (394 mm)
Y	4" (101 mm)	D	13½" (343 mm)
Z	2" (51 mm)	E	11½" (292 mm)

Fig. 5a Combustible mantel minimum installation.

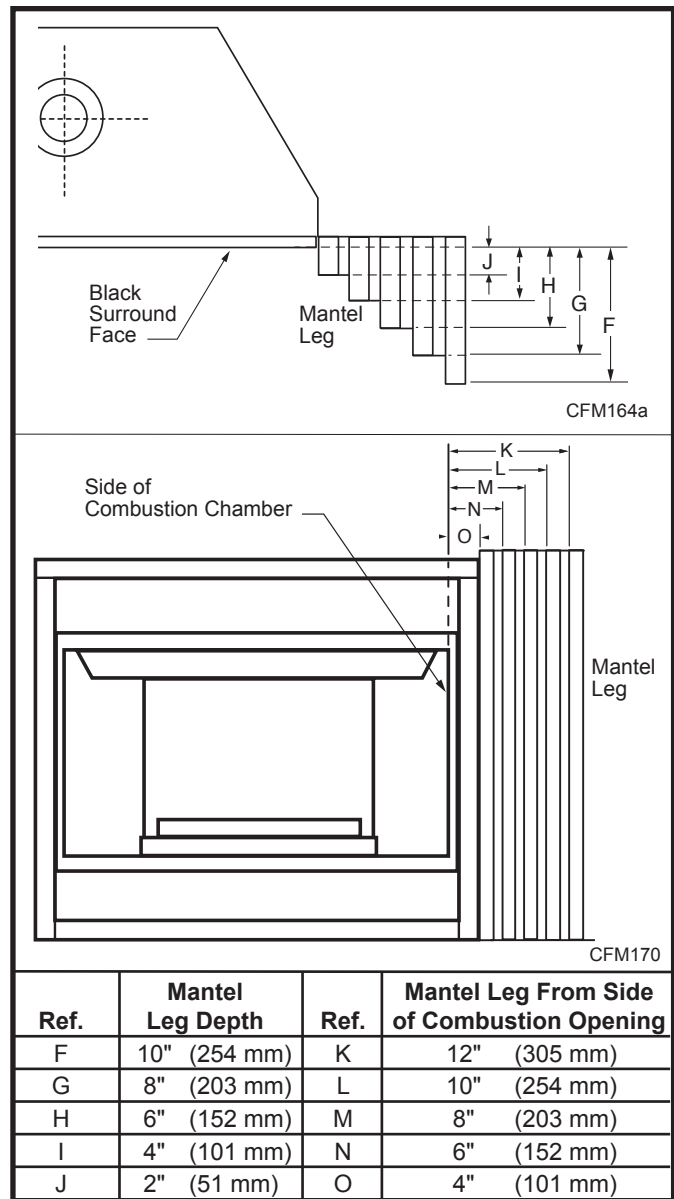
Hearth Extension

A hearth extension in front of heater is recommended but not required.

Planning

Planning the installation is an important first step: it will save time and money later in the actual installation. In planning the installation, consider:

1. Where the heater will be located.
2. All components needed to complete the project.



Ref.	Mantel Leg Depth	Ref.	Mantel Leg From Side of Combustion Opening
F	10" (254 mm)	K	12" (305 mm)
G	8" (203 mm)	L	10" (254 mm)
H	6" (152 mm)	M	8" (203 mm)
I	4" (101 mm)	N	6" (152 mm)
J	2" (51 mm)	O	4" (101 mm)

Fig. 5b Combustible mantel leg minimum installation.

Mounting the Heater

The heater should only be mounted on the following surfaces:

- A flat combustible (burnable) surface.
- A raised wooden platform.
- A concrete block or other solid object placed beneath each of the four corners of the heater.

To mount the heater:

1. Choose unit location.
2. Place unit in position and secure to floor with 1½" screws or nails. The holes to secure the unit to the floor are located just behind the bottom louvre on the left and right hand side of the unit.

3. Frame in heater with a header across the top. It is important to allow for finished face when setting the depth of the frame.
4. Attach heater to frame using adjustable frame drywall strips (located behind access door for shipping). Preset depth to suit facing material (adjustable to 1/2", 5/8" or 3/4" depths). (Fig. 6)
5. Use existing screws in side of unit to attach drywall strip. Measure from face of heater to face of drywall strip to determine final depth. (Fig. 6)

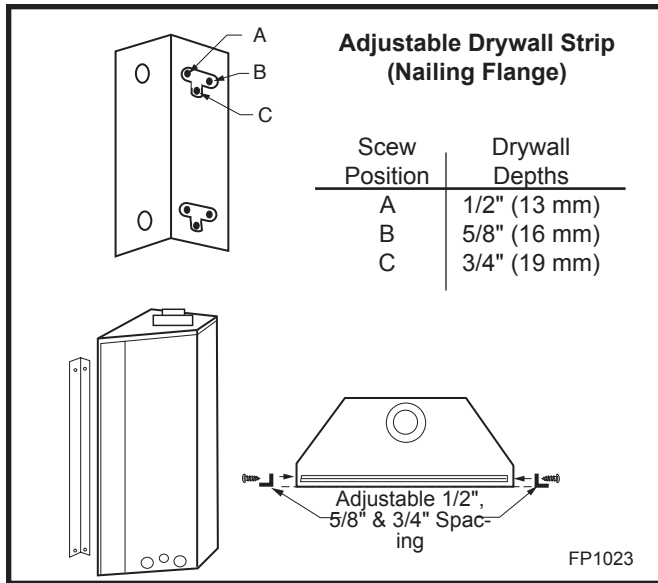


Fig. 6 Adjustable drywall strip (nailing flange).

Framing

Framing can take place before or after the heater is set in place. The framing should be positioned to accommodate the wall covering and facing material. Framing material should be 2x4 or heavier. Framing headers may rest on top of heater. (Refer to Page 3, Figure 1 for heater and framing dimensions.)

Insulating for Cold Climates

When a heater is installed in a chase or an outside wall, the enclosure should be insulated like any other wall of the home. Insulation should be installed under the heater and on the inside of the exterior walls. (Fig. 7)

NOTE: Insulating for cold climates is strictly a recommendation and not a requirement.

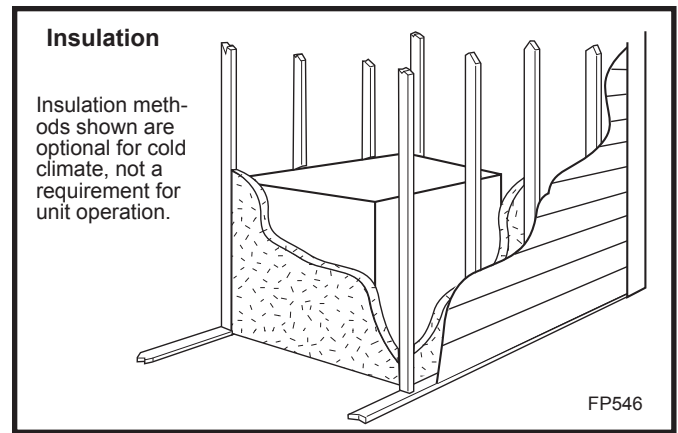


Fig. 7 Insulating for cold climates.

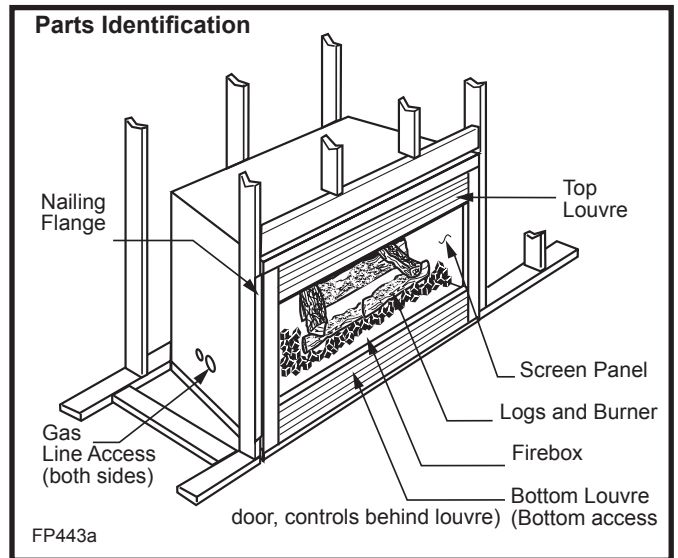


Fig. 8 Parts identification.

Gas Specifications

Model	Fuel	Gas Control	Max. Input BTU/H	Min. Input BTU/H	Orifice Size	Air Shutter Setting
UVS33RN	Nat	Millivolt Hi/Lo	20,000	15,000	#45	1/16" Open
UVS33RP	LP	Millivolt Hi/Lo	20,000	14,750	#55	Fully Open
UVS33RN	Nat	Millivolt Hi/Lo	15,000	10,750	#50	Closed
UVS33RP	LP	Millivolt Hi/Lo	15,000	11,000	#56	Fully Open*
UVS33RN	Nat	Millivolt Hi/Lo	10,000	7,500	#52	Closed
UVS33RP	LP	Millivolt Hi/Lo	10,000	8,000	#62	Fully Open*
UVS36RN	Nat.	Millivolt Hi/Lo	25,000	17,500	n/a	Fully Open
UVS36RP	LP	Millivolt Hi/Lo	25,000	18,750	n/a	Fully Open

* Use air shutter in orifice bag without round holes.

**UVS33 / UVS36
Certified To
ANSI Z 21.11.2a-2003
Unvented Room Heaters**

Units: A41A00, A41B00, B41AS0, B41BS0

Gas Inlet and Manifold Pressures		
	Natural Gas	LP
Minimum Inlet Pressure	5.5" w.c.	11.0" w.c.
Maximum Inlet Pressure	14.0" w.c.	14.0" w.c.
Manifold Pressure	3.5" w.c.	10.0" w.c.

Table 3 Gas supply pressures.

The installation of your Majestic heater must conform with local codes, or in the absence of local codes, with National Fuel Gas Code, ANSI Z223.1/NFPA 54 — latest edition. (EXCEPTION: Do not derate this appliance for altitude. Maintain the manifold pressure at 3.5 inches w.c. for Natural Gas and 10 inches w.c. for LP gas.)

High Elevations

Input ratings are shown in BTU per hour and are certified without deration from elevations up to 4,500 feet (1,370m) above sea level.

Nuisance outages may occur at altitudes above 4,500 feet (1,370m) if dirt, dust, lint and/or cobwebs are allowed to accumulate on burner and/or ODS pilot. Monthly inspection and cleaning is recommended for altitudes above 4,500 feet (1,370m)

For elevations above 4,500 feet (1,370m), installations must be in accordance with the current ANSI Z223.1/NFPA 54 and/or local codes having jurisdiction.

Gas Supply Pressures

This heater must be isolated from the gas supply piping system by closing its individual manual shut-off valve during any pressure equal to or less than 1/2 psig (3.45 kPa).

The heater and its individual shut-off valve must be disconnected from the gas supply piping system during any pressure testing of that system at test pressures in excess of 1/2 psig (3.45 kPa).

Gas Line Connection

If gas piping from the source to the heater location has not been accomplished, install the required pipe. Consult local codes to assure proper pipe size.

The gas pipeline can be brought in through the right or left side of the heater, as well as the bottom. Knockouts are provided at convenient locations to allow for the gas pipe installation and testing of any gas connection. It is most convenient to bring the gas line in from the right side, as this allows fan installation or removal without disconnecting the gas line.

NOTE: The gas line connection can be made with proper 3/8" copper tubing, 1/2" rigid pipe or an approved flex connector, then reduced to 3/8" to the heater. Because some municipalities have some additional local codes, it is always best to consult your local authority. Consult the current National Fuel Gas Code, ANSI Z223.1/NFPA 54.



Always check for gas leaks using a 50/50 solution of liquid soap and water. Apply water/soap solution with brush only - do not over apply.

NEVER test with an open flame.

The gas control is equipped with a captured screw type pressure test point, therefore it is not necessary to provide a 1/8" test point up stream of the control.

When using copper or flex connector use only approved fittings. When using black iron pipe, **always provide a union** so the gas line can be easily disconnected for burner or fan servicing. Use shut off valve before union or flex connector. See gas specification for pressure details and ratings. **NOTE:** If flex connector is used, it must be kept inside of the heater. (Fig. 9)

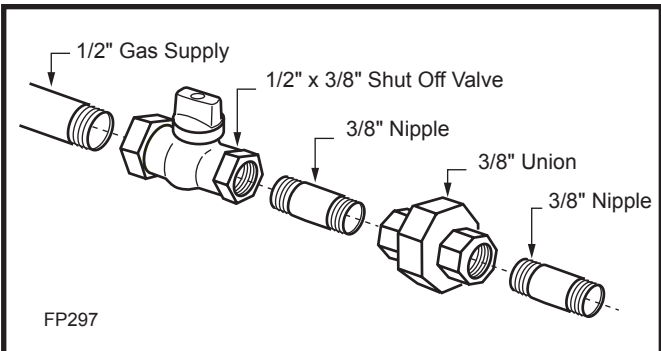


Fig. 9 Typical gas supply installation.

Electrical Connection

(If fan is used)



When installed, the heater must be electrically connected and grounded in accordance with local codes or, in the absence of local codes:

U.S. Installations: Follow local codes and the National Electrical Code, ANSI/NFPA No. 70.

NOTE: 110/120 electric power is required to operate blower (fan).

Be sure to leave sufficient excess wire in case minor adjustments are required.



Any electrical rewiring of this fan must be done by a qualified electrician.

Whether wiring directly to the fan junction box or into the EB1 (electrical receptacle box, P/N ZA1200) first ensure cable is secured using box connector.



Turn off all power before hookup.

Hard (Direct) Wire Hook-Up

First connect ground wire to ground stud located on the base of either box. Black wire from supply should connect to the variable speed switch. Alternate **speed** switch wire connects to temperature sensor. Alternate **lead** from sensor connects to fan. Alternate **fan** connects back to white supply wire. (Fig. 10)

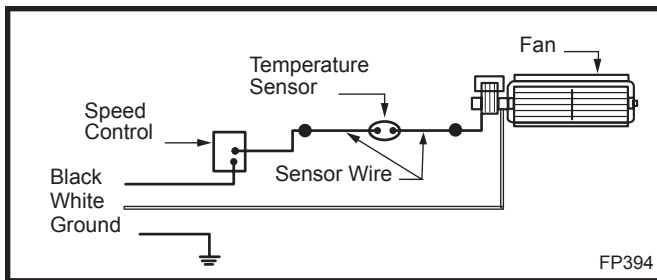


Fig. 10 Wiring diagram.

Remove sensor wire from bottom of heater. Remove temperature sensor from FK24 wire leads. Attach male coupler end of sensor wire to wire leads and opposite end of sensor wire to temperature sensor. Attach temperature sensor to left louvre bracket behind left side of top louvre assembly with two #6 machine screws and hex nuts. (Fig. 11)

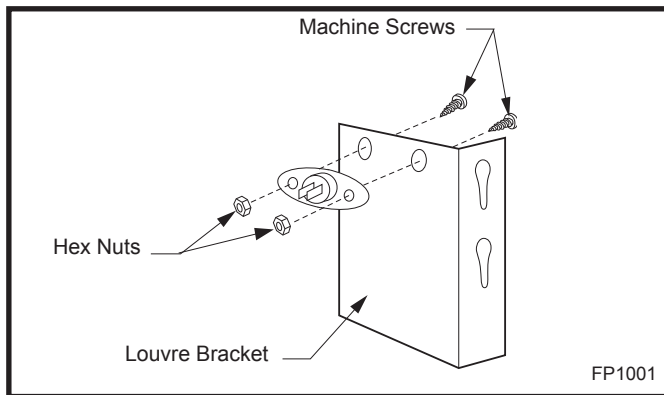


Fig. 11 Louvre bracket.

Fan should come on within 10 minutes of ignition with speed control in "ON" position.

EB1 (Receptacle) Hook-Up:

1. Remove 2" knockout. Slide the electrical box back plate into the back and bottom lances (clips) while fitting the box connector into the knockout. Fasten into place with fastening screws provided. (Fig. 12)
 2. Connect the black positive wire to brass screw (polarized side) of the receptacle. The white wire is connected to the chrome screw. The ground wire is connected to the green ground screw of the receptacle. Fit the receptacle into the electrical box.
 3. Screw the cover plate provided to the electrical box.
- Label all wires prior to disconnection when servicing controls. Wiring errors can cause improper and dangerous operation.

Verify proper operation after servicing.

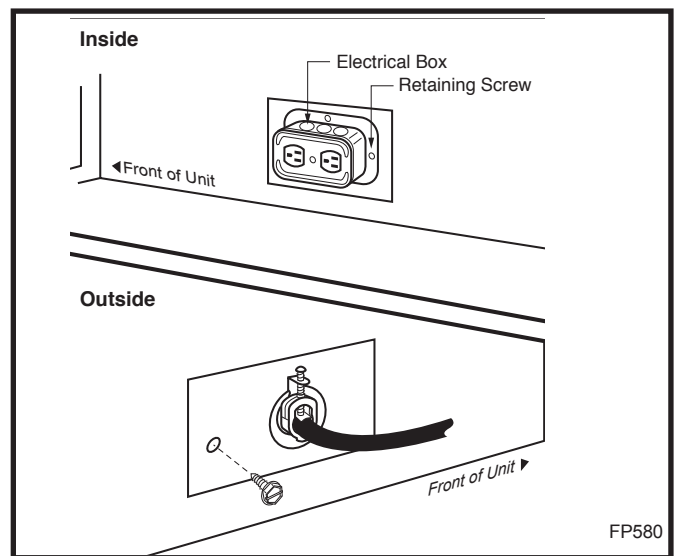


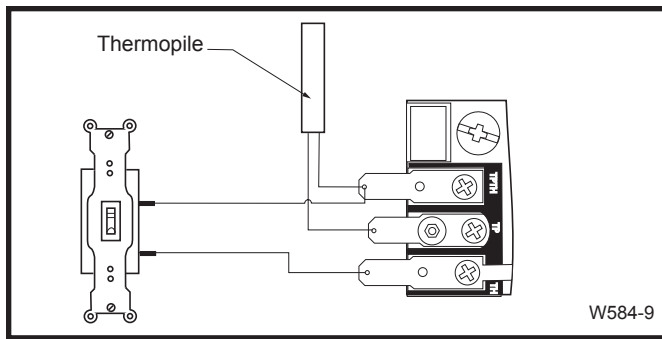
Fig. 12 Junction box (EB-1) hook-up.

Remote Wall Switch



CAUTION: Do not wire millivolt remote wall switch for gas heater to a 120v power supply. For lighting instructions, see Page 13.

1. Thread wire through the electrical knockout located on either side of unit. Do not cut wire or insulation on metal edges. Ensure that wire is protected. Run the other end to a conveniently located wall receptacle box.
2. Attach wire to switch and install switch into receptacle box. Attach cover plate to switch.
3. Connect wiring to gas valve. (Fig. 13)

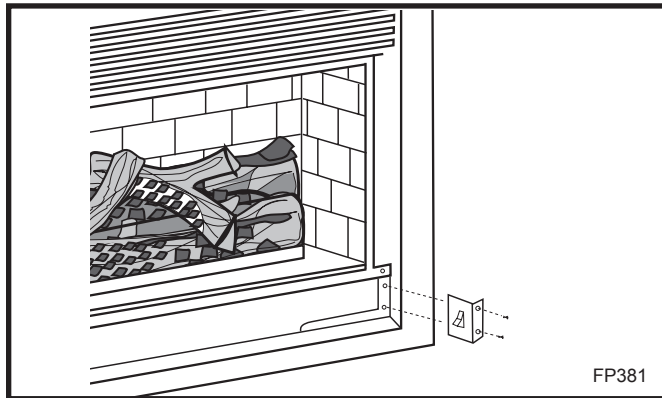


W584-9

Fig. 13 Remote switch wiring.

Alternate Switch Location

Remote switch can be installed on either side of the access door. Simply mount the switch to the switch bracket provided. Screw the bracket on either side of the frame, lining up the screws with the pre-punched holes. (Fig. 14)



FP381

Fig. 14 Installing remote switch bracket.

Finishing



CAUTION: All joints between the finished wall and the heater surround (top and sides) may be sealed only with noncombustible material. Only noncombustible material can be applied as facing to the heater surround (the black painted face).

When finishing the heater, never obstruct or modify the air inlet/outlet top or bottom grilles in any manner.

Finish the wall with the material of your choice. Maintain minimum clearances when installing a combustible mantel or other combustible projection.

Operating Instructions

Top Louvre (Grille) Removal

To remove the top louvre (grille) assembly, lift louvre up and then out. (Fig. 15)

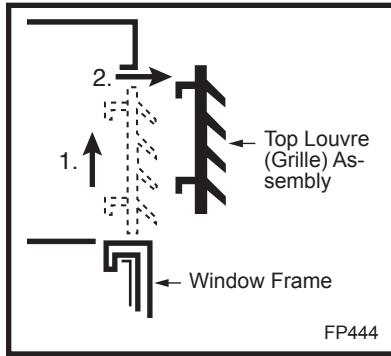


Fig. 15 Louvre installation and removal.

6. Lift off the window frame as shown in Figure 15.
7. To reinstall window frame follow the above procedure in reverse. (Fig. 16)

Window Frame Removal

1. Shut off gas. (Refer to Lighting Instructions)
2. Let the unit cool if it has been operating.
3. Remove top louvre. (Refer to Top Louvre Removal)
4. Open the bottom louvre assembly.
5. Release the two clamps at the bottom of the window frame by pulling down on the clamp handles.

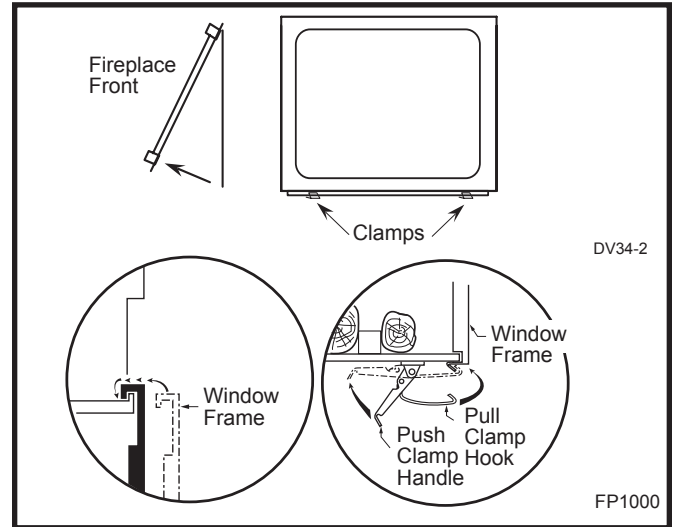


Fig. 16 Window Frame installation and removal.

Log Installation UVS33

1. Remove window frame. (See "Window Frame" section)
2. Remove logs from packaging.



As with all plastic - these are not toys and should be kept away from children and infants.

3. Place rear log on rear bracket (ensure log is seated properly, leveled and centered to the unit), so it will not move from side to side and it is firmly positioned on the bracket.
4. Place front left log on top of burner, left side. Use log's bottom holes to locate it onto the left bracket log locator studs.
5. Place front right log on top of burner, right side. Use log's bottom holes to locate it onto the left bracket log locator studs.
6. Place top left log onto locator notches. Ensure log is secure.
7. Place top right log onto locator notches. Ensure log is secure.

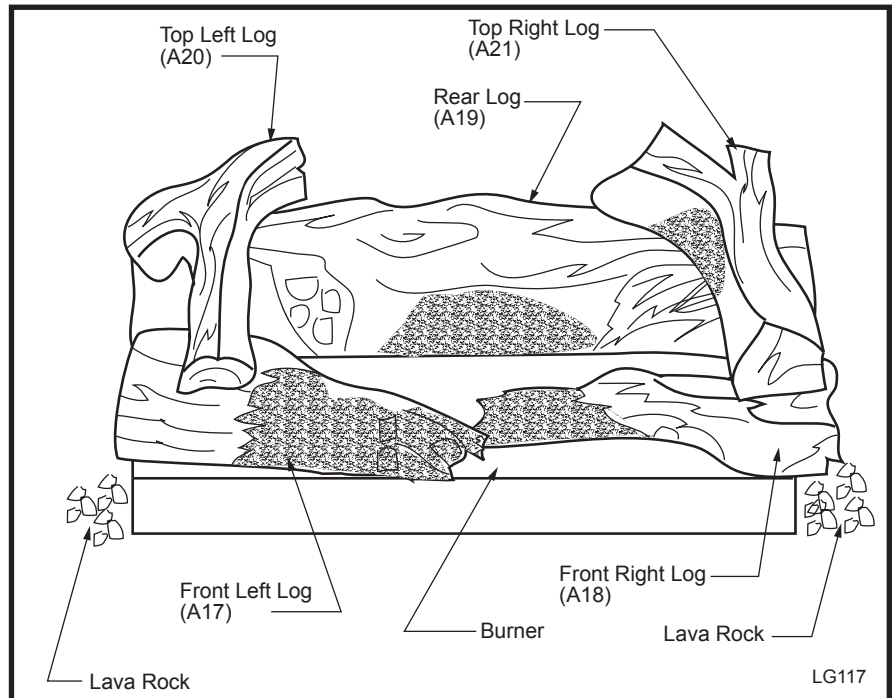


Fig. 17 UVS33 log placement.

Log Installation UVS36

1. Remove window frame. (See "Window Frame" section)
2. Remove logs from packaging.



As with all plastic - these are not toys and should be kept away from children and infants.

3. Place rear log (BE8) on rear bracket (ensure log is seated properly, leveled and centered to the unit), so the log will not move from side to side and is firmly positioned onto the bracket.
4. Place front left log (BE6) on top of burner, left side. Use log's bottom holes to locate it onto the left bracket log locator studs.
5. Place front right log (BE7) on top of burner right side. Use log's bottom holes to locate it onto the left bracket log locator studs.
6. Place ember material on top of burner. (Refer to "Ember Material Placement").
7. Place top left log (BE9) onto locator notches. Ensure log is secure.
8. Place top right log (BE10) onto locator notches. Ensure log is secure.

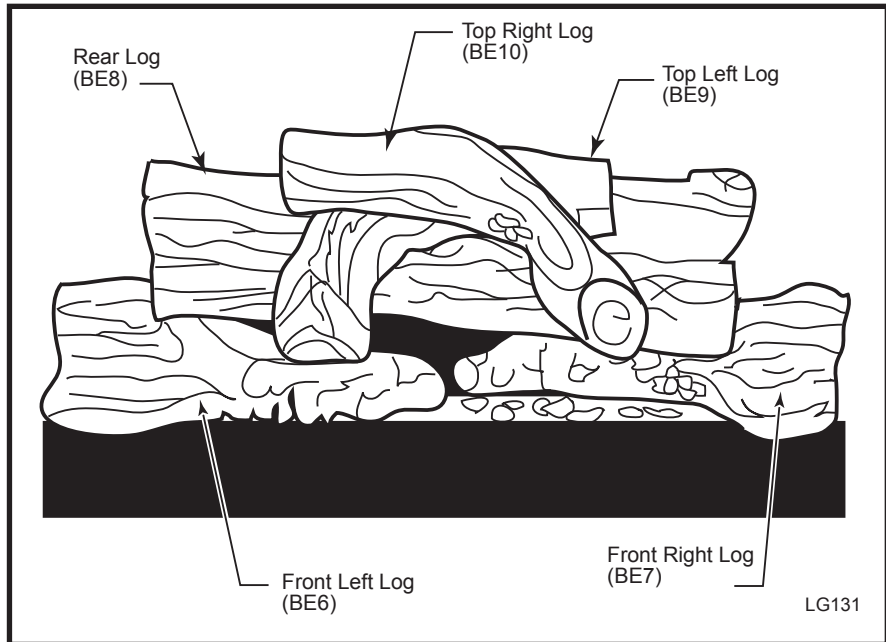


Fig. 18 UVS36 log placement.

Ember Material Placement

Separate the ember material into small pieces and place onto the burner in front of the front logs. Do NOT pack down, leave in fluffy, loose condition for most realistic ember effects. **Do not install more embers on the burner than come with the unit.**

Application of excess loose material may adversely affect performance of the heater.

Replacement loose embers must be purchased through authorized Majestic Fireplaces dealers.



WARNING: All previously applied loose material must be removed prior to reapplication.

Lava Rock

The lava rock provided with this fireplace must be placed on the firebox bottom on either side of the burner assembly. Do not place lava rock directly on burner. (Fig. 18)



Under no circumstances should this lava rock be placed on any part of the burner assembly.

First Firing

Upon completing your gas line connection, a small amount of air will be in the lines. When first lighting unit with pilot light, it will take a few minutes to purge themselves of this air. Once the purging is complete, the pilot and burner will light and operate as indicated in the instruction manual. Subsequent lightings of the heater will not require such purging.

Odor During Operation

Neither natural gas nor propane gas give off an odor when burned. The nature of a vent free combustion system, however, is such that odors may occasionally be produced during heater operation when impurities exist in the immediate area. Cleaning solutions, paint, solvents, cigarette smoke, candles, adhesives, new carpet or textiles, etc., all can create fumes. These fumes may mix with combustion air and can create odor. Such odors will disappear over time, however, the condition can be alleviated by opening a window or otherwise providing additional ventilation to the area.

Flame Adjustment

For fireplaces equipped with HI/LO valves, flame adjustment is accomplished by rotating the HI/LO adjustment knob located near the center of the gas control. (Fig. 18)



Fig. 18 Flame adjustment on gas valve.

Flame Characteristics

It is important to periodically perform a visual check of the pilot and burner flames. Compare them to Figures 19 or 20. If the flame patterns appear abnormal, contact a qualified service provider for service and adjustment.

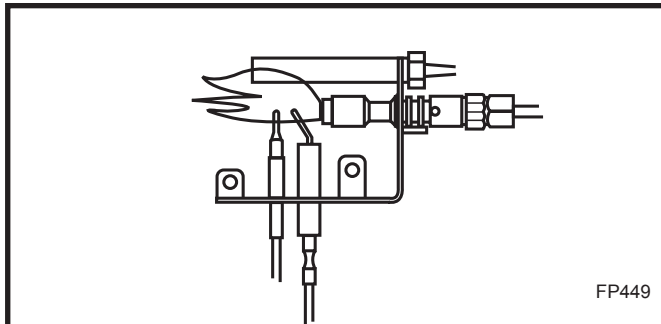


Fig. 19 Proper pilot flame height.

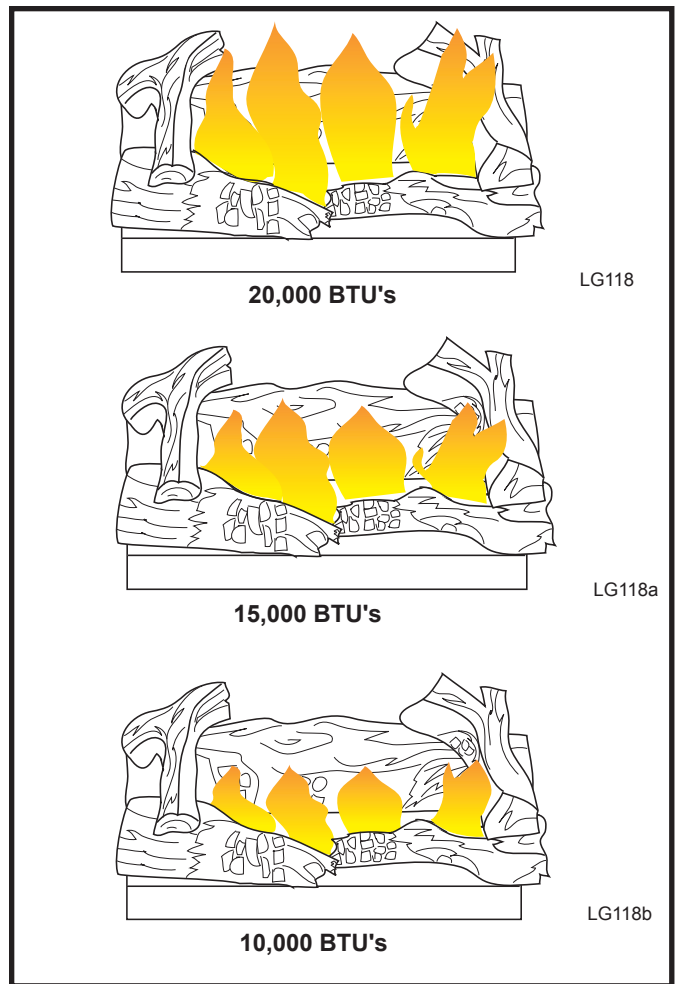


Fig. 20 Approximate flame heights for UVS33.

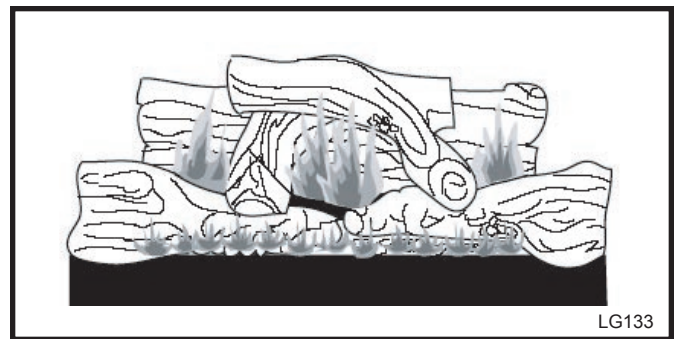


Fig. 22 Correct burner flame appearance for UVS36.


Lighting and Operating Instructions

FOR YOUR SAFETY READ BEFORE LIGHTING

WARNING: If you do not follow these instructions exactly, a fire or explosion may result causing property damage, personal injury or loss of life.

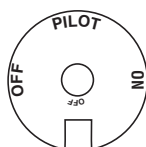
- This heater has a pilot which must be lit manually. When lighting the pilot follow these instructions exactly.
 - BEFORE LIGHTING smell all around the heater area for gas. Be sure to smell next to the floor because some gas is heavier than air and will settle on the floor.
- WHAT TO DO IF YOU SMELL GAS**
- Do not try to light any fireplace
 - Do not touch any electric switch
 - Do not use any phone in your building
 - Immediately call your gas supplier from a neighbor's phone. Follow the gas supplier's instructions.
- If you cannot reach your gas supplier, call the Fire Department
 - Use only your hand to push in or turn the gas control knob. Never use tools. If the knob will not push in or turn by hand, do not try to repair it, call a qualified service technician. Applying force or any attempted repair may result in a fire or explosion.
 - Do not use this fireplace if any part has been under water. Immediately call a qualified service technician to inspect the heater and to replace any part of the control system and any gas control which has been under water.

Lighting Instructions

- STOP!** Read the safety information above.
- Turn **OFF** all electrical power to the fireplace.
- For MN/MP/TN/TP appliances ONLY, go on to Step 4. For RN/RP appliances turn the On/Off switch to "**OFF**" position or set thermostat to lowest level.
- Open control access panel.
- Push in gas control knob slightly and turn clockwise  to "**OFF**".




Euro SIT



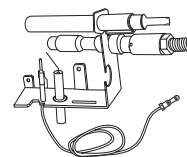
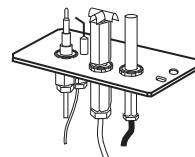
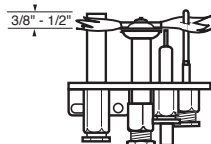
SIT NOVA



Honeywell

- Wait five (5) minutes to clear out any gas. Then smell for gas, including near the floor. If you smell gas, **STOP!** Follow "B" in the safety information above. If you do not smell gas, go to the next step.
- Remove glass door before lighting pilot. (See Glass Frame Removal section).
- Visibly locate pilot by the main burner.
- Turn knob on gas control counterclockwise  to "**PILOT**".

- Push the control knob all the way in and hold. Immediately light the pilot by repeatedly depressing the piezo spark ignitor until a flame appears. Continue to hold the control knob in for about one (1) minute after the pilot is lit. Release knob and it will pop back up. Pilot should remain lit. If it goes out, repeat steps 5 through 8.



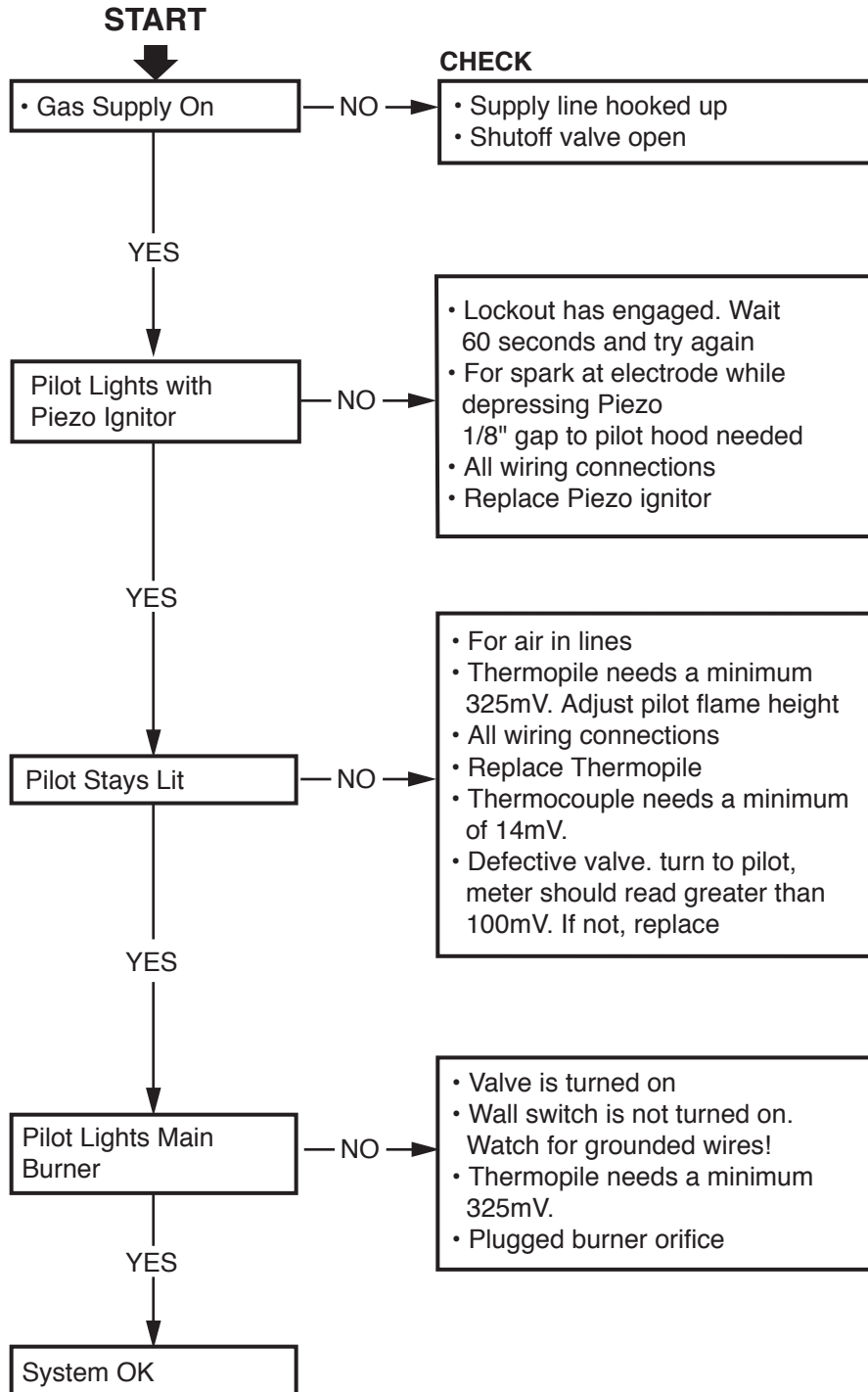
- If knob does not pop up when released, stop and immediately call your service technician or gas supplier.
 - If after several tries, the pilot will not stay lit, turn the gas control knob to "**OFF**" and call your service technician or gas supplier.
- Replace glass door.
 - Turn gas control knob to "**ON**" position.
 - For RN/RP appliances turn the On/Off switch to "**ON**" position or set thermostat to desired setting.
 - Turn on all electrical power to the fireplace.

To Turn Off Gas to Heater

- Turn the On/Off switch to "**OFF**" position or set the thermostat to lowest setting.
- Turn **OFF** all electric power to the fireplace if service is to be performed.
- Open control access panel.
- Push in gas control knob slightly and turn clockwise  to "**OFF**". Do not force.
- Close control access panel.

Troubleshooting

Honeywell



Maintenance

Burner and Burner Compartment

It is important to keep the burner and the burner compartment clean. At least once per year the logs and lava rock/ember material should be removed and the burner compartment vacuumed and wiped out. Remove and replace the logs as per the instructions in this manual.

Always handle the logs with care as they are fragile and may also be hot if the fireplace has been in use.

FK12/FK24 Fan Assembly

The fan unit requires periodic cleaning. At least once per month in the operating season, open the lower louver panels and wipe or vacuum the area around the fan to remove any build up of dust or lint.

Cleaning the Standing Pilot Control System

The burner and control system consists of:

- main burner
- pilot burner
- gas orifice
- thermopile
- combination millivolt gas valve

Most of these components may require only an occasional checkup and cleaning and some may require adjustment. If repair is necessary, it should be performed by a qualified technician.

In order to properly clean the burner and pilot assembly, turn off the gas to the unit, remove the window frame panel and logs exposing the burner and pilot assembly. Clean all foreign materials from the top of the burner. Check to make sure that burner parts are clean. Visually inspect pilot. Brush or blow away any dust or lint accumulation. If pilot orifice is plugged, disassembly may be required to remove any foreign material from the orifice or tubing.

To obtain proper operation, it is imperative that the pilot and burner's flame characteristics are steady, not lifting or floating.

Typically, the top 1/8" of the thermopile should be engulfed in the pilot flame. (Fig. 21)

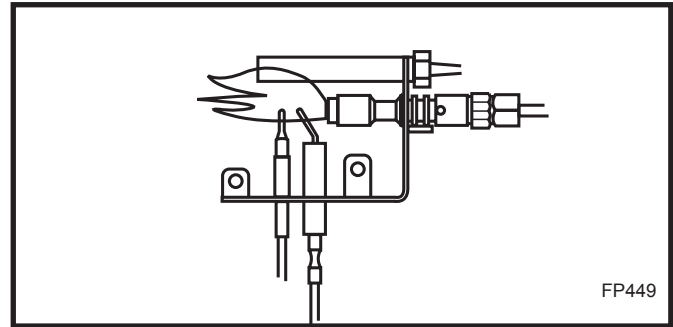
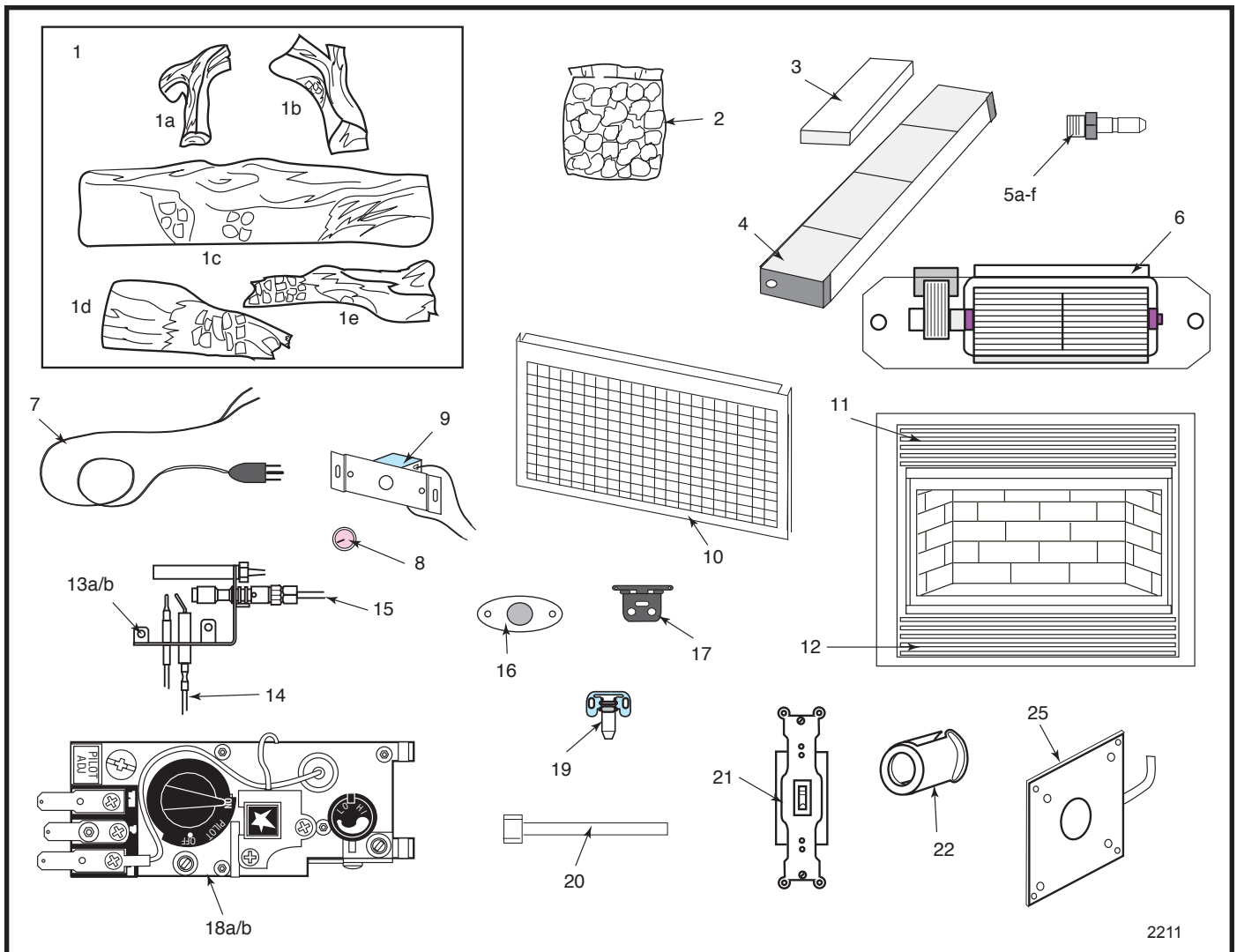


Fig. 21 Proper pilot flame height.



CFM Corporation reserves the right to make changes in design, materials, specifications, prices and discontinue colors and products at any time, without notice.

UVS33/36 Vent Free Gas Room Heater

Ref.	Description	UVS33	UVS36
1.	Complete Log Set	20002236	10000547
1a.	Top Left Log	A20	BE9
1b.	Top Right Log	A21	BE10
1c.	Rear Log	A19	BE8
1d.	Front Left Log	A17	BE6
1e.	Front Right Log	A18	BE7
2.	Lava Rock Package	55255	55255
3.	Ceramic Tile (Single)	57803	57803
4.	Burner w/Tiles	20002198	20000075
5a.	Orifice Main Burner - Natural (20,000) #45	20002202	--
5b.	Orifice Main Burner - LP (20,000) #55	52584	--
5c.	Orifice Main Burner - Natural (15,000) #50	20002237	--
5d.	Orifice Main Burner - LP (15,000) #56	20002249	--
5e.	Orifice Main Burner - Natural (10,000) #52	20002248	See Rating Plate

UVS33/36 Vent Free Gas Room Heater (continued)

Ref.	Description	UVS33	UVS36
5f.	Orifice Main Burner - LP (10,000) #62	20002250	See Rating Plate
6.	Fan w/Bracket (FK24)	54103	54103
7.	Electrical Cord (6ft.)	51865	51865
8.	Speed control Knob	51882	51882
9.	speed Control	51738	51738
10.	Frame Window Assembly	20002139	10000148
11.	Top Louvre Assembly	10000292	10000037
12.	Bottom Louvre Assembly	10000293	10000038
13a.	Pilot Assembly - natural	55464	55464
13b.	Pilot Assembly - LP	55465	10001647
14.	Cable Ignitor	20000101	20000101
15.	Pilot tubing w/Fittings	10000150	10000150
16.	Fan Temperature Sensor	51704	51704
17.	Access Door Hinge	52356	52356
18a.	Gas Valve - natural	10000235	--
18b.	Gas Valve - LP	10000242	--
19.	Clamp Frame Window	54174	54174
20.	Manifold Tubing w/fittings	57318	57318
21.	Remote Switch	51842	51842
22.	Air Shutter LP (10,000 and 15,000)	20000129	--
23.	Remote Switch Kit (Not Shown)	53875	53875
24.	Piezo Ignitor Replacement kit (Not Shown)	20000062	--
25.	O.S.A. Assy	3547900	3547900
26.	Ember Package	--	10000550
27.	Glass w/Gasket	--	55686
28.	Gasket Glass	--	57317
29.	Frame Window	--	57937
30.	CO Catalyst Filter	--	55629
31.	Bracket CO Catalyst Holder	--	56255
32a.	Valve NOVA - Natural	--	55463
32b.	Valve NOVA - LP	--	55462

Contact CFM Corporation for questions concerning prices and policies covering replacement parts. Parts may be ordered through your Majestic Fireplaces distributor or dealer.

You will need the following information when ordering replacement parts:

1. The heater model number.
2. The serial number.
3. A description of the part.

Should you need additional information beyond what your dealer can furnish, contact:

CFM Corporation
 410 Admiral Blvd.
 Mississauga, Ontario
 Canada L5T 2N6
 Attn: Technical Service

Model and serial numbers are listed on the rating plate (located on right side of combustion chamber).

Record your model and serial numbers here for future reference:

Model # _____

Serial # _____

Optional Accessories

Fan Kits

FK12 Fan Kit

This auxiliary fan system increases the efficiency of the circulation of the heating air. The FK12 Fan Assembly is a fixed speed fan system and does not allow for variable speed control. It does not use the speed control unit or the heat sensor used in the FK24 kit.

Specifications

115 Volts / 60 Hz / .75 Amps.

Installation

The fan assembly is supplied fully wired eliminating the need for a licensed electrician to carry out the installation.

1. Open the lower louvre assembly. Maneuver the fan & bracket assembly around the gas valve and lines to locate the unit against the back wall of the appliance, resting on the base.
2. With the protective cover removed from the self-adhesive 'Velcro' strips apply mild pressure to the fan & bracket unit to secure the strips to the metal panels. No further securing is required.
3. Power to the fan can be supplied by plugging the supply lead into a conveniently located wall socket or by using a hard-wired EB-1 connector box.

FK24 Fan Kit

This auxiliary fan system increases the efficiency of the circulation of the heating air.

The FK24 fan kit allows variable speed control of the circulation fan and also incorporates a heat sensor in the circuit.

Specifications

115 Volt / 60Hz / .75 Amps

Installation

The fan assembly and other components are supplied fully wired eliminating the need for a licensed electrician to carry out the installation.

If hard wiring the fan in using Method B (following) we strongly recommend the use of a licensed electrician.

1. Open the lower louvre assembly. Maneuver the fan & bracket assembly around the gas valve and lines to locate the unit onto the screw studs on the back of the fireplace.
2. Install the thermal sensor under the bottom of the firebox, locating it over the two 10 mm studs and secure it with nuts.

3. Locate the fan speed control unit. This can be fitted behind the lower louvre assembly or located remotely in a conveniently located wall mounted electrical box. Remote location of the speed control will require suitable extension of the component wiring.

4. The power supply may be connected in two ways:

Method A

Route the 6' lead fitted to the unit to a conveniently located wall socket.

Method B

The EB-1 receptacle box (Pt. # ZA1200) may be hard wired into the house supply. The fan lead is then plugged into the EB-1 box

Electrical Connection

The EB-1 electrical junction box is available for use with the fan kits.

Remote Controls

Optional remote control units are available to control different functions of the appliance.

Model	Function(s) Controlled
RC1	ON/OFF
RC2	ON/OFF and Temperature
IMTFK	Wall mounted thermostat control

Outside Air Termination

The AK-1 completes the connection from outside air kit to out-of-doors. (Does not include 4" flex duct.)

Ceramic Brick Liner

Ceramic panels are available to line the firebox area.

Model 33BDVCR

Decorative Bay Screen Kit

The 33BSTK Bay Window Screen Kit is available to place on the front of the unit.

Decorative Frame Trims

A selection of decorative frame trim kits are available for mounting around the outside of the appliance to enhance its visual effect on the room. Installation instructions for each decorative frame trim are included with the frame trim kit.

Unit	Kit Model
UVS33	DV33GTP, DV33GTA, DV33GTS, DV33TKP, DV33TKMP, DV33TKMA, DV33TKMS, DV33TKMB, DV33TKWP, DV33CBTK
UVS36	DV36GTP, DV36GTA, DV36TKP, DV36TKA, DV36KMP, DV36KMA DV36KWP, DV36KWA

Glass/Catalyst Kit

Only glass approved by CFM Corporation should be used on this fireplace.

- The use of any non-approved replacement glass will void all product warranties.
- Care must be taken to avoid breakage of the glass.
- **Do not operate appliance with glass front removed, cracked or broken.**
- **Replacement glass (complete with gasket) is available through your CFM Corporation dealer and should only be installed by a licensed qualified service person.**

UVS 36GCFK

1. Turn unit "OFF".
 2. Remove the top louvre. Refer to Page 11, Figure 15.
 3. Remove the window frame. Refer to Page 11, Figure 16.
 4. Remove the deflector firebox by removing the three (3) screws securing it to the firebox top. (Fig. 22)
 5. Install a catalyst up through one of the rectangular holes in the firebox top. (Fig. 23)
 6. While holding the catalyst in place, slide the catalyst bracket over the studs and secure with the nuts provided. (Fig. 23)
 7. Repeat Steps 5 and 6 for second catalyst.
 8. Install the deflector firebox with screws removed earlier.
 9. Install the glass door as provided in kit.
 10. Install the top louvre.
- Installation complete.

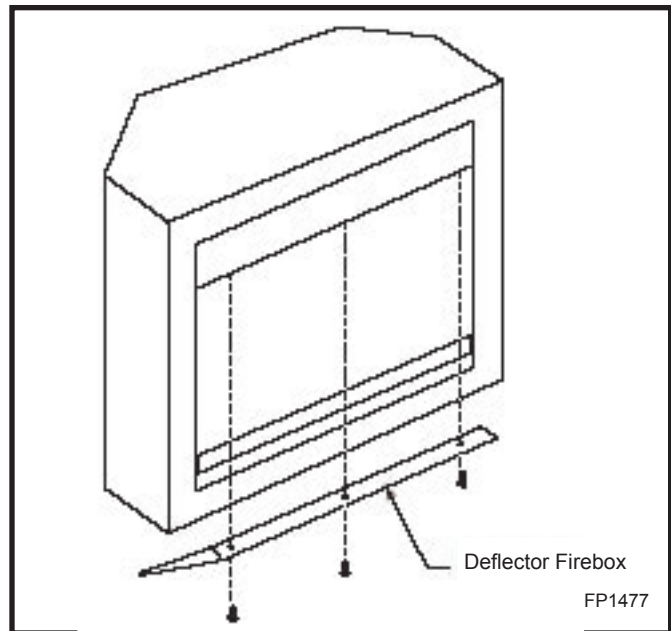


Fig. 22 Remove deflector firebox.

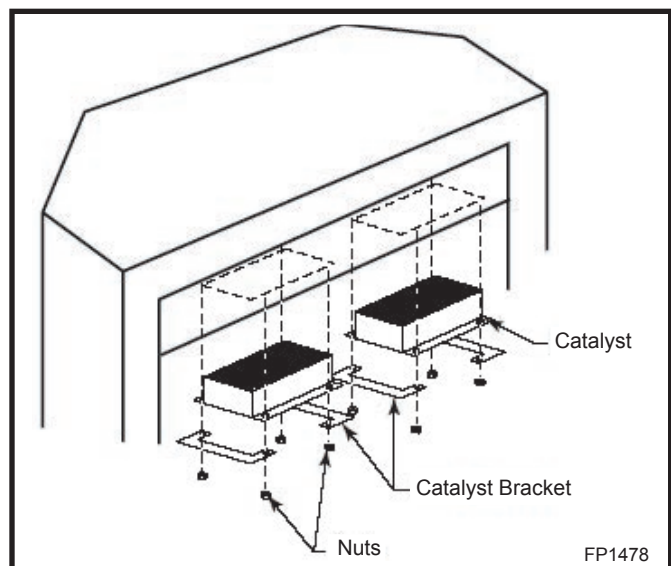


Fig. 23 Install catalyst and bracket in place, secure with nuts provided.

Decorative Bay Window

Available for the UVS36 only.



When fitting the Bay Window Kit, the original front frame/glass assembly MUST remain in place. The Bay Window Kit is fitted over the existing front glass.

Installation

1. Remove the existing louvre assembly bottom complete with the hinges.
2. Remove the louvre assembly top.
3. Assemble the Bay Window Kit according to the instructions supplied with the kit.
4. Place the 2 pieces of ceramic refractory along the base of the bay window. (Fig. 21)
5. Hang the bay window assembly over the existing window frame assembly.
6. Reinstall the louvre assembly top.
7. Do not remove the existing window frame assembly.

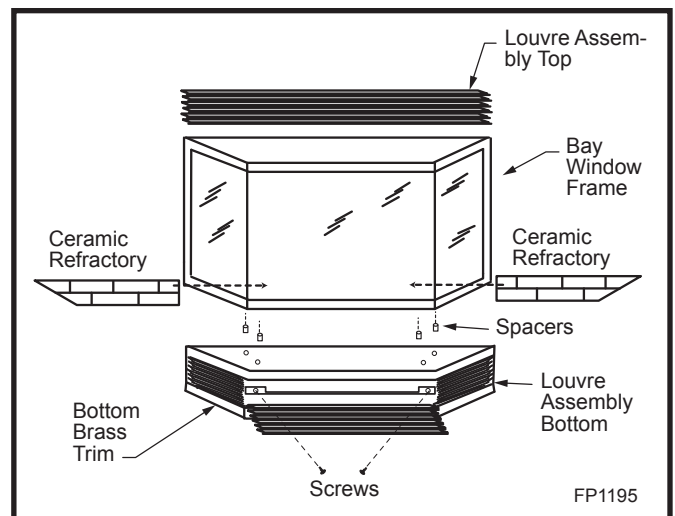


Fig. 24 Bay window.

LIMITED LIFETIME WARRANTY

PRODUCT COVERED BY THIS WARRANTY

All Vermont Castings gas stoves, gas inserts, and gas fireplaces, and all Majestic or Northern Flame brand gas fireplaces equipped with an Insta-Flame Ceramic Burner, or standard steel tube burner.

BASIC WARRANTY

CFM Corporation (hereinafter referred to collectively as the Company) warrants that your new Vermont Castings or Majestic Gas Fireplace/Stove is free from manufacturing and material defects for a period of one year from the date of purchase, subject to the following conditions and limitations.

EXTENDED LIFETIME WARRANTY

The heat exchanger, where applicable, and combustion chamber of every Vermont Castings or Majestic gas product is warranted for life against through wall perforation. All appliances equipped with an Insta-Flame Ceramic Burner have limited lifetime coverage on the ceramic burner plaque. Warrantees are made to the original owner subject to proof of purchase and the conditions and limitations listed on this Warranty Document

COMPONENT WARRANTY

CAST IRON: All external and internal cast iron parts are warranted for a period of three years.

Note: On porcelain enamel finished external parts and accessories The Company offers no Warranty on chipping of enamel surfaces. Inspect all product prior to accepting it for any damage to the enamel.

The salt air environment of coastal areas or a high humidity environment can be corrosive to the porcelain enamel finish. These conditions can cause rusting of the cast iron beneath the porcelain enamel finish, which will cause the finish to flake off.

Dye lot variations with replacement parts and/or accessories can occur and are not covered by warranty.

GLASS DOORS: Glass doors are covered for a period of one year. Glass doors are not warranted for breakage due to misuse or accident. Glass doors are not covered for discoloration or burned in stains due to environmental issues, or improper cleaning and maintenance.

BRASS PLATED PARTS AND ACCESSORIES: Brass parts should be cleaned with Lemon oil only. Brass cleaners cannot be used. Mortar mix and masonry cleaners may corrode the brass finish. The Company will not be responsible for, nor will it warrant any brass parts which are damaged by external chemicals or down draft conditions.

GAS VALVES: Gas valves are covered for a period of one year

ELECTRONIC AND MECHANICAL COMPONENTS: Electronic and mechanical components of the burner assembly are covered for one year. All steel tube burners are warranted for one year.

ACCESSORIES: Unless otherwise noted all components and CFM Corporation company supplied accessories are covered for a period of one year.

CONDITIONS AND LIMITATIONS

- This new Vermont Castings or Majestic product must be installed by a competent, authorized, service contractor. A licensed technician, as prescribed by the local jurisdiction must perform any installation/service work. It must be installed and operated at all times in accordance with the Installation and Operating instructions furnished with the product. Any alteration, willful abuse, accident, or misuse of the product shall nullify this warranty.
- This warranty is non-transferable, and is made to the original owner, provided that the purchase was made through an authorized supplier of the Company.
- The customer must pay for any Authorized Dealer in-home travel fees or service charges for in-home repair work. It is the dealers option whether the repair work will be done in the customer's home or in the dealer's shop.

- If upon inspection, the damage is found to be the fault of the manufacturer, repairs will be authorized at no charge to the customer parts and/or labor.
- Any part and/or component replaced under the provisions of this warranty is covered for six months or the remainder of the original warranty, whichever is longest.
- This warranty is limited to the repair of or replacement of part(s) found to be defective in material or workmanship, provided that such part(s) have been subjected to normal conditions of use and service, after said defect is confirmed by the Company's inspection.
- The company may, at its discretion, fully discharge all obligations with respect to this warranty by refunding the wholesale price of the defective part(s)
- Any installation, labor, construction, transportation, or other related costs/expenses arising from defective part(s), repair, replacement, or otherwise of same, will not be covered by this warranty, nor shall the Company assume responsibility for same. Further, the Company will not be responsible for any incidental, indirect, or consequential damages except as provided by law.
- SOME STATES DO NOT ALLOW FOR THE EXCLUSION OR LIMITATIONS OF INCIDENTAL AND CONSEQUENTIAL DAMAGES OR LIMITATIONS ON HOW LONG AN IMPLIED WARRANTY LASTS, SO THE ABOVE LIMITATIONS MAY NOT APPLY TO YOUR CIRCUMSTANCES. THIS WARRANTY GIVES YOU SPECIFIC RIGHTS AND YOU MAY HAVE OTHER RIGHTS WHICH VARY FROM STATE TO STATE.
- All other warranties-expressed or implied- with respect to the product, its components and accessories, or any obligations/liabilities on the part of the Company are hereby expressly excluded.
- The Company neither assumes, nor authorizes any third party to assume on its behalf, any other liabilities with respect to the sale of this Vermont Castings or Majestic product
- The warranties as outlined within this document do not apply to chimney components or other non CFM Corporation accessories used in conjunction with the installation of this product..
- Damage to the unit while in transit is not covered by this warranty but is subject to claim against the common carrier. Contact the dealer from whom you purchased your fireplace/stove (do not operate the appliance as this might negate the ability to process the claim with the carrier).
- The Company will not be responsible for:
 - a) Down drafts or spillage caused by environmental conditions such as near-by trees, buildings, roof tops, hills, or mountains.
 - b) Inadequate ventilation or negative air pressure caused by mechanical systems such as furnaces, fans, clothes dryers, etc.
- This warranty is void if:
 - a) The fireplace has been operated in atmospheres contaminated by chlorine, fluorine, or other damaging chemicals.
 - b) The fireplace has been subjected to prolonged periods of dampness or condensation
 - c) Any damages to the fireplace, combustion chamber, heat exchanger or other components due to water, or weather damage, which is the result of but not limited to, improper chimney/venting installation.
 - d) Any alteration, willful abuse, accident, or misuse of the product has occurred.

IF WARRANTY SERVICE IS NEEDED...

- 1) Contact your supplier. Make sure you have your warranty, your sales receipt, and the model/serial number of your CFM Corporation product.
- 2) DO NOT ATTEMPT TO DO ANY SERVICE WORK YOURSELF.

**NATIONAL
FIREPLACE
INSTITUTE**



CERTIFIED
www.nficertified.org

We recommend that our gas hearth products be installed and serviced by professionals who are certified in the U.S. by the National Fireplace Institute® (NFI) as NFI Gas Specialists.

CFM Corporation

2695 Meadowvale Blvd. • Mississauga, Ontario, Canada L5N 8A3
800-668-5323 • www.cfmcorp.com