



3/8" CORDLESS DRILLS

INSTRUCTION MANUAL

Catalog Nos. CD1200S, CD1800SB

THANK YOU FOR CHOOSING BLACK & DECKER!
GO TO WWW.BLACKANDDECKER.COM/NEWOWNER
TO REGISTER YOUR NEW PRODUCT.

**BEFORE RETURNING THIS PRODUCT
FOR ANY REASON PLEASE CALL
1-800-544-6986**

BEFORE YOU CALL, HAVE THE CATALOG No. AND DATE CODE AVAILABLE. IN MOST CASES, A BLACK & DECKER REPRESENTATIVE CAN RESOLVE THE PROBLEM OVER THE PHONE. IF YOU HAVE A SUGGESTION OR COMMENT, GIVE US A CALL. YOUR FEEDBACK IS VITAL TO BLACK & DECKER.

KEY INFORMATION YOU SHOULD KNOW:

• Charge battery for 9 hours before first use. For more information see "CHARGING THE POWER PACK".

SAVE THIS MANUAL FOR FUTURE REFERENCE.

VEA EL ESPAÑOL EN LA CONTRAPORTADA.

INSTRUCTIVO DE OPERACIÓN, CENTROS DE SERVICIO Y POLIZA DE GARANTÍA. **ADVERTENCIA:** LEÁSE ESTE INSTRUCTIVO ANTES DE USAR EL PRODUCTO.

Cat. Nos. CD1200S, CD1800SB Form No.5148415-00 (JAN.-06) Copyright©2006 Black & Decker Printed in China

GENERAL SAFETY RULES - FOR ALL BATTERY OPERATED TOOLS

WARNING! READ AND UNDERSTAND ALL INSTRUCTIONS. Failure to follow all instructions listed below, may result in electric shock, fire and/or serious personal injury

SAVE THESE INSTRUCTIONS

WORK AREA

- Keep your work area clean and well lit. Cluttered benches and dark areas invite accidents.
- Do not operate power tools in explosive atmospheres, such as in the presence of flammable liquids, gases, or dust. Power tools create sparks which may ignite the dust or fumes.
- Keep bystanders, children, and visitors away while operating a power tool. Distractions can cause you to lose control.

ELECTRICAL SAFETY

- Do not abuse the cord. Never use the cord to carry the tool. Keep cord away from heat, oil, sharp edges or moving parts. Replace damaged cords immediately. Damaged cords may create a fire.
- A battery operated tool with integral batteries or a separate battery pack must be recharged only with the specified charger for the battery. A charger that may be suitable for one type of battery may create a risk of fire when used with another battery.
- Use battery operated tool only with specifically designated battery pack. Use of any other batteries may create a risk of fire.

PERSONAL SAFETY

- Stay alert, watch what you are doing and use common sense when operating a power tool. Do not use tool while tired or under the influence of drugs, alcohol, or medication. A moment of inattention while operating power tools may result in serious personal injury.
- Dress properly. Do not wear loose clothing or jewelry. Contain long hair. Keep your hair, clothing, and gloves away from moving parts. Loose clothes, jewelry, or long hair can be caught in moving parts. Air vents cover moving parts and should be avoided.
- Avoid accidental starting. Be sure switch is in the locked or off position before inserting battery pack. Carrying tools with your finger on the switch or inserting the battery pack into a tool with the switch on invites accidents.
- Remove adjusting keys or wrenches before turning the tool on. A wrench or a key that is left attached to a rotating part of the tool may result in personal injury.
- Do not overreach. Keep proper footing and balance at all times. Proper footing and balance enable better control of the tool in unexpected situations.
- Use safety equipment. Always wear eye protection. Dust mask, non-skid safety shoes, hard hat, or hearing protection must be used for appropriate conditions.

TOOL USE AND CARE

- Use clamps or other practical way to secure and support the workpiece to a stable platform. Holding the work by hand or against your body is unstable and may lead to loss of control.
- Do not force tool. Use the correct tool for your application. The correct tool will do the job better and safer at the rate for which it is designed.
- Do not use tool if switch does not turn it on or off. A tool that cannot be controlled with the switch is dangerous and must be repaired.
- Disconnect battery pack from tool or place the switch in the locked or off position before making any adjustments, changing accessories, or storing the tool. Such preventative safety measures reduce the risk of starting the tool accidentally.
- Store idle tools out of reach of children and other untrained persons. Tools are dangerous in the hands of untrained users.
- When battery pack is not in use, keep it away from other metal objects like: paper clips, coins, keys, nails, screws or other small metal objects that can make a connection from one terminal to another. Shorting the battery terminals together may cause sparks, burns, or a fire.
- Maintain tools with care. Keep cutting tools sharp and clean. Properly maintained tools, with sharp cutting edge are less likely to bind and are easier to control.
- Check for misalignment or binding of moving parts, breakage of parts, and any other condition that may affect the tool's operation. If damaged, have the tool serviced before using. Many accidents are caused by poorly maintained tools.
- Use only accessories that are recommended by the manufacturer for your model. Accessories that may be suitable for one tool may create a risk of injury when used on another tool.

SERVICE

- Tool service must be performed only by qualified repair personnel. Service or maintenance performed by unqualified personnel may result in a risk of injury.
- When servicing a tool, use only identical replacement parts. Follow instructions in the Maintenance section of this manual. Use of unauthorized parts or failure to follow Maintenance Instructions may create a risk of shock or injury.

SPECIFIC SAFETY RULES

- Hold tool by insulated gripping surfaces when performing an operation where the cutting tool may contact hidden wiring or its own cord. Contact with a "live" wire will also make exposed metal parts of the tool "live" and shock the operator.
- When working on a ladder or on scaffolding be sure to lay the tool down on its side when not in use. Some tools with large battery packs will stand upright but may be easily knocked over.
- **WARNING:** Some dust created by power sanding, sawing, grinding, drilling, and other construction activities contains chemicals known to cause cancer, birth defects or other reproductive harm. Some examples of these chemicals are:
 - lead from lead-based paints,
 - crystalline silica from bricks and cement and other masonry products, and
 - arsenic and chromium from chemically-treated lumber (CCA).

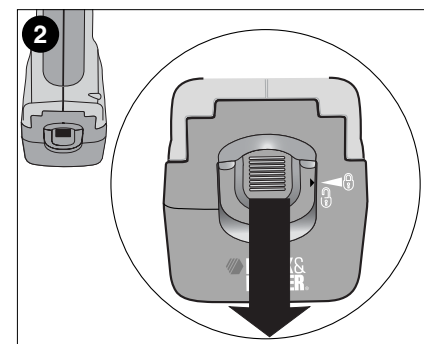
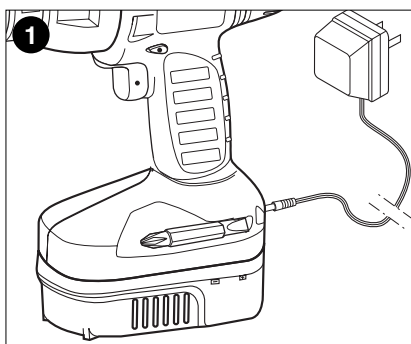
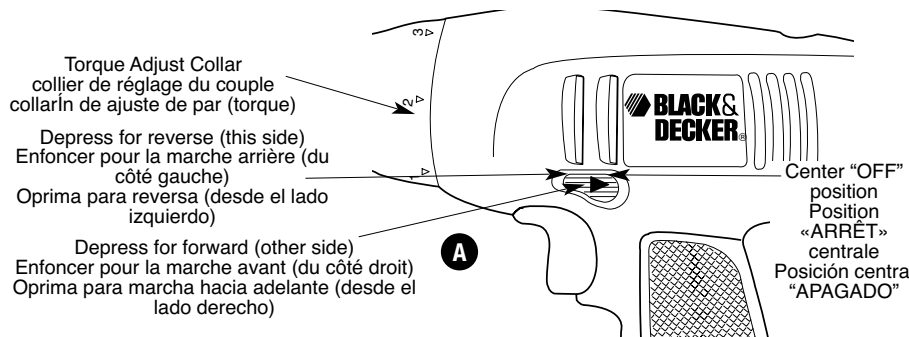
Your risk from these exposures varies, depending on how often you do this type of work. To reduce your exposure to these chemicals: work in a well ventilated area, and work with approved safety equipment, such as those dust masks that are specially designed to filter out microscopic particles.

- Avoid prolonged contact with dust from power sanding, sawing, grinding, drilling, and other construction activities. Wear protective clothing and wash exposed areas with soap and water. Allowing dust to get into your mouth, eyes, or lay on the skin may promote absorption of harmful chemicals.

WARNING: Use of this tool can generate and/or disperse dust, which may cause serious and permanent respiratory or other injury. Always use NIOSH/OSHA approved respiratory protection appropriate for the dust exposure. Direct particles away from face and body.

The label on your tool may include the following symbols.

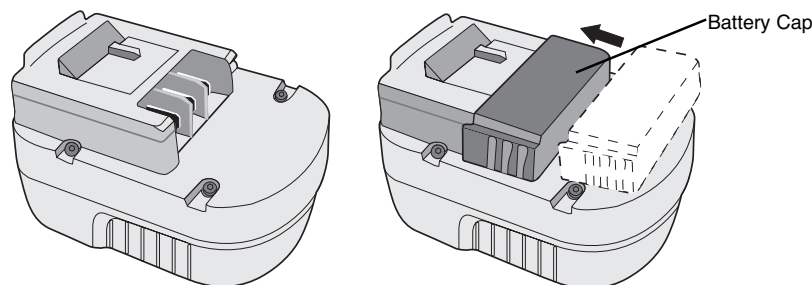
V	volts	A	amperes
Hz	hertz	W	watts
min	minutes	~	alternating current
— — —	direct current	n _o	no load speed
☐	Class II Construction	⊕	earthing terminal
⚠	safety alert symbol	.../min	revolutions or reciprocations per minute



BATTERY CAP INFORMATION

Battery storage and carrying caps are provided for use whenever the battery is out of the tool or charger. Remove cap before placing battery in charger or tool.

WARNING: Do not store or carry battery so that metal objects can contact exposed battery terminals. For example, do not place battery in aprons, pockets, tool boxes, product kit boxes, drawers, etc. with loose nails, screws, keys, etc. without battery cap. Transporting batteries can possibly cause fires if the battery terminals inadvertently come in contact with conductive materials such as keys, coins, hand tools and the like. The US Department of Transportation Hazardous Material Regulations (HMR) actually prohibit transporting batteries in commerce or on airplanes (i.e. packed in suitcases and carryon luggage) UNLESS they are properly protected from short circuits. So when transporting individual batteries, make sure that the battery terminals are protected and well insulated from materials that could contact them and cause a short circuit.



Safety Warnings and Instructions: Charging the Battery

1. This manual contains important safety and operating instructions.
2. Before using battery charger, read all instructions and cautionary markings on (1) battery charger, (2) battery, and (3) product using battery.
3. **CAUTION:** To reduce the risk of injury, charge only Black & Decker Power Packs. Other types of batteries may burst causing personal injury and damage.
4. Do not expose charger to rain or snow.
5. Use of an attachment not recommended or sold by Black & Decker may result in a risk of fire, electric shock, or injury to persons.
6. To reduce risk of damage to electric plug and cord, pull by plug rather than cord when disconnecting charger.
7. Make sure cord is located so that it will not be stepped on, tripped over, or otherwise subjected to damage or stress.
8. An extension cord should not be used unless absolutely necessary. Use of improper extension cord could result in a risk of fire, electric shock or electrocution.
 - a. Two-wire cords can be used with 2-wire or 3-wire extension cords. Only round jacketed extension cords should be used, and we recommend that they be listed by Underwriters Laboratories (U.L.). If the extension is to be used outside, the cord must be suitable for outdoor use. Any cord marked for outdoor use can also be used for indoor work. The letters "W" or "WA" on the cord jacket indicate that the cord is suitable for outdoor use.
 - b. An extension cord must have adequate wire size (AWG or American Wire Gauge) for safety, and to prevent loss of power and overheating. The smaller the gauge number of the wire, the greater the capacity of the cable; that is, 16 gauge has more capacity than 18 gauge. When using more than one extension to make up the total length, be sure each extension contains at least the minimum wire size.

CHART FOR MINIMUM WIRE SIZE (AWG) OF EXTENSION CORDS

Total Extension Cord Length (ft)	NAMEPLATE RATING AMPS - 0 - 10.0				
	25	50	75	100	125 150
Wire Gauge	18	18	16	16	14 14

9. Use only the supplied charger when charging your drill. The use of any other charger could damage the drill or create a hazardous condition.

10. Use only one charger when charging.
11. Do not attempt to open the charger or the drill. There are no customer serviceable parts inside. Return to any authorized Black & Decker service center.
12. DO NOT incinerate the drill or battery packs even if they are severely damaged or completely worn out. The batteries can explode in a fire.
13. Do not incinerate the batteries. They can explode in a fire. A small leakage of liquid from the battery cells may occur under extreme usage, charging or temperature conditions. This does not indicate a failure. However, if the outer seal is broken and this leakage gets on your skin:
 - a. Wash quickly with soap and water.
 - b. Neutralize with a mild acid such as lemon juice or vinegar.
 - c. If the battery liquid gets in your eyes, flush them with clean water for a minimum of 10 minutes and seek immediate medical attention. **MEDICAL NOTE:** The liquid is a 25-35% solution of potassium hydroxide.

Charging the Power Pack

THE BATTERIES IN YOUR POWER PACK ARE NOT FULLY CHARGED AT THE FACTORY. BEFORE ATTEMPTING TO CHARGE THEM, THOROUGHLY READ ALL OF THE SAFETY INSTRUCTIONS.

The charger is designed to use standard household 120 volt 60 Hz power.

1. Make sure the battery is fitted properly into the drill. Insert the charger plug into the connector as shown in Figure 1.
 2. Plug the charger into any standard 120 Volt 60 Hz electrical outlet and let the battery charge initially for **9 hours**. After the initial charge, under normal usage, your power pack should be fully charged in **3 to 6 hours**.
 3. Disconnect the charger from the outlet, then disconnect the charger from the tool.
- ⚠ WARNING:** Do not use the tool while it is connected to the charger.

NOTE: To remove the battery from the drill, press down on the release button on the back of the battery (Figure 2) and slide out.

IMPORTANT CHARGING NOTES

1. After normal usage, your power pack should be fully charged in 3 to 6 hours. If the power pack is run-down completely, it may take up to 6 hours to become fully charged. Your power pack was sent from the factory in an uncharged condition. Before attempting to use it, it must be charged for at least 9 hours.
2. DO NOT charge the power pack in an air temperature below 40°F or above 105°F. This is important and will prevent serious damage to the power pack. Longest life and best performance can be obtained if power pack is charged when air temperature is about 75°F.
3. While charging, the charger may hum and become warm to touch. This is a normal condition and does not indicate a problem.
4. If the power pack does not charge properly—(1) Check current at receptacle by plugging in a lamp or other appliance. (2) Check to see if receptacle is connected to a light switch which turns power off when you turn out the lights. (3) Move charger and power pack to a surrounding air temperature of 40°F to 105°F. (4) If the receptacle and temperature are OK, and you do not get proper charging, take or send the power pack and charger to your local Black & Decker service center. See Tools Electric in yellow pages.
5. The power pack should be recharged when it fails to produce sufficient power on jobs which were easily done previously. **DO NOT CONTINUE** using product with its power pack in a depleted condition.
6. To prolong power pack life, avoid leaving the power pack on charge for extended periods of time (over 30 days without use). Although overcharging is not a safety concern, it can significantly reduce overall power pack life.
7. When the battery is inserted into the charger, the red "Charging Indicator" light will come on indicating that there is contact between the battery and charger. The light will stay on as long as the battery is in the charger and the charger is plugged into a working outlet. It **WILL NOT** flash, go out or change to a different color when the charging cycle is complete.
8. The power pack will reach optimum performance after being cycled 5 times during normal usage. There is no need to run the batteries down completely before recharging. Normal usage is the best method of discharging and recharging the batteries.

⚠ Safety Warnings and Instructions: Drills

1. Do not lock the tool **ON** when drilling by hand. Refer to Operating Instructions-Switch.
 2. Hold drill firmly to control the twisting action of the drill.
 3. When attaching accessories in the drill chuck, hand tighten the keyless chuck firmly
- ⚠ WARNING:** Drill may stall (if overloaded or improperly used) causing a twist. Always expect the stall. Grip the drill firmly to control the twisting action and prevent loss of control which could cause personal injury. If a stall does occur, release the trigger immediately and determine the reason for the stall before re-starting.

SAVE THIS MANUAL FOR FUTURE REFERENCE.


OPERATING INSTRUCTIONS

Switch and Control Button

A forward/reverse control button determines the direction of the tool and also serves as a lock off button (Fig. A). To select forward rotation, release the trigger switch and depress the forward/reverse control button as shown in Figure A. To select reverse, depress the forward/reverse control button the opposite direction. The center position of the control button locks the tool in the off position. When changing the position of the control button, be sure the trigger is released. **NOTE:** The first time tool is run after changing direction of rotation, you may hear a click on start up. This is normal and does not indicate a problem.

Torque Control

This tool is fitted with a collar to select the operating mode and to set the torque for tightening screws. Large screws and hard workpiece materials require a higher torque setting than small screws and soft workpiece materials.

- For drilling in wood, metal and plastics, set the collar to the drilling position symbol .
- For screwdriving, set the collar to the desired setting. If you do not yet know the appropriate setting, proceed as follows:
 - Set the collar to the lowest torque setting.
 - Tighten the first screw.
 - If the clutch ratchets before the desired result is achieved, increase the collar setting and continue tightening the screw. Repeat until you reach the correct setting. Use this setting for the remaining screws.

Keyless Chuck Operation

To attach accessories, grasp the rear half of the chuck with one hand and use your other hand to rotate the front half in the counterclockwise direction. Insert the bit or other accessory fully into the chuck, and tighten securely by holding the rear half of the chuck and rotating the front portion in the clockwise direction as viewed from the chuck end.

Drilling

- Use sharp drill bits only.
 - Support and secure work properly, as instructed in the Safety Instructions.
 - Use appropriate and required safety equipment, as instructed in the safety instructions.
 - Secure and maintain work area, as instructed in the safety instructions.
 - Run the drill very slowly, using light pressure, until the hole is started enough to keep the drill bit from slipping out of it.
 - Apply pressure in a straight line with the bit. Use enough pressure to keep the bit biting but not so much as to stall the motor or deflect the bit.
 - **Hold the drill firmly to control its twisting action.**
 - **DO NOT CLICK THE TRIGGER OF A STALLED DRILL OFF AND ON IN AN ATTEMPT TO START IT. DAMAGE TO THE DRILL CAN RESULT.**
 - Minimize stalling on breakthrough by reducing pressure and slowly drilling through last part of hole.
 - Keep the motor running while pulling the bit out of a drilled hole. This will help reduce jamming.
 - Use a cutting lubricant when drilling metals. The exceptions are cast iron and brass which should be drilled dry. Lubricants that work best are sulphurized cutting oil or lard oil.
 - When using twist drill bits to drill holes in wood, it will be necessary to pull the bits out frequently to clear chips from the flutes.
 - **Make sure switch turns drill on and off.**
- ⚠ WARNING:** It is important to support work properly and to hold the drill firmly to prevent loss of control which could cause personal injury. If you have questions on how to operate tool, call: **1-800-54-HOW-TO (544-6986)**.

DRILLING IN WOOD

Holes in wood can be made with the same twist drill bits used for metal or with spade bits. These bits should be sharp and should be pulled out frequently when drilling to clear chips from the flutes.

DRILLING IN METAL

Use a cutting lubricant when drilling metals. The exceptions are cast iron and brass which should be drilled dry. The cutting lubricants that work best are sulfurized cutting oil or lard oil.

DRILLING IN MASONRY

Use carbide tipped masonry bits. Refer to Drilling section. Keep even force on the drill but not so much that you crack the brittle material. A smooth, even flow of dust indicates the proper drilling rate.

TROUBLESHOOTING

Problem	Possible Cause	Possible Solution
• Unit will not start.	• Battery not installed properly. • Battery not charged.	• Check battery installation. • Check battery charging requirements.
• Battery will not charge.	• Battery not inserted into charger. • Charger not plugged in.	• Insert battery into charger until red LED appears. • Plug charger into a working outlet. Refer to "Important Charging Notes" for more details.

For assistance with your product, visit our website www.blackanddecker.com for the location of the service center nearest you or call the BLACK & DECKER help line at **1-800-544-6986**.

Maintenance

Use only mild soap and damp cloth to clean the tool. Never let any liquid get inside the tool; never immerse any part of the tool into a liquid. **IMPORTANT:** To assure product SAFETY and RELIABILITY, repairs, maintenance and adjustment should be performed by authorized service centers or other qualified service organizations, always using identical replacement parts.

THE RBRC™ SEAL

The RBRC™ (Rechargeable Battery Recycling Corporation) Seal on the nickel-cadmium battery (or battery pack) indicates that the costs to recycle the battery (or battery pack) at the end of its useful life have already been paid by Black & Decker. In some areas, it is illegal to place spent nickel-cadmium batteries in the trash or municipal solid waste stream and the RBRC program provides an environmentally conscious alternative. RBRC in cooperation with Black & Decker and other battery users, has established programs in the United States and Canada to facilitate the collection of spent nickel-cadmium batteries. Help protect our environment and conserve natural resources by returning the spent nickel-cadmium battery to an authorized Black & Decker service center or to your local retailer for recycling. You may also contact your local recycling center for information on where to drop off the spent battery, or call **1-800-8-BATTERY**.



Accessories

Recommended accessories for use with your tool are available from your local dealer or authorized service center. If you need assistance regarding accessories, please call: **1-800-54-HOW-TO (544-6986)**. The following accessories should be used only in the sizes specified below: BITS, METAL DRILLING – Up to 3/8" (9.5mm); BITS, MASONRY DRILLING – Up to 3/8" (9.5mm); WOOD DRILLING – Up to 1/2" (12.7mm).

⚠ WARNING: The use of any accessory not recommended for use with this tool could be hazardous.

SERVICE INFORMATION

All Black & Decker Service Centers are staffed with trained personnel to provide customers with efficient and reliable power tool service. Whether you need technical advice, repair, or genuine factory replacement parts, contact the Black & Decker location nearest you. To find your local service location, refer to the yellow page directory under "Tools—Electric" or call: **1-800-544-6986** or visit www.blackanddecker.com

FULL TWO-YEAR HOME USE WARRANTY

Black & Decker (U.S.) Inc. warrants this product for two years against any defects in material or workmanship. The defective product will be replaced or repaired at no charge in either of two ways.

The first, which will result in exchanges only, is to return the product to the retailer from whom it was purchased (provided that the store is a participating retailer). Returns should be made within the time period of the retailer's policy for exchanges (usually 30 to 90 days after the sale). Proof of purchase may be required. Please check with the retailer for their specific return policy regarding returns that are beyond the time set for exchanges.

The second option is to take or send the product (prepaid) to a Black & Decker owned or authorized Service Center for repair or replacement at our option. Proof of purchase may be required. Black & Decker owned and authorized Service Centers are listed under "Tools-Electric" in the yellow pages of the phone directory.

This warranty does not apply to accessories. This warranty gives you specific legal rights and you may have other rights which vary from state to state or province to province. Should you have any questions, contact the manager of your nearest Black & Decker Service Center. This product is not intended for commercial use.

FREE WARNING LABEL REPLACEMENT: If your warning labels become illegible or are missing, call **1-800-544-6986** for a free replacement.

Imported by
Black & Decker (U.S.) Inc.,
701 E. Joppa Rd.
Towson, MD 21286 U.S.A.



See 'Tools-Electric'
- Yellow Pages -
for Service & Sales



**MERCI D'AVOIR CHOISI BLACK & DECKER!
VISITEZ WWW.BLACKANDDECKER.COM/NEUOWNER
POUR ENREGISTRER VOTRE NOUVEAU PRODUIT.**

**AVANT DE RETOURNER CE PRODUIT POUR QUELQUE
RAISON QUE CE SOIT, COMPOSER LE NUMÉRO
SUIVANT : 1 800 544-6986**

IMPORTANTES RENSEIGNEMENTS :

Charger la pile pendant 9 heures avant d'utiliser le produit pour la première fois.
Pour obtenir plus de renseignements, consulter la section « CHARGEMENT DU
BLÔC-PILE » du présent guide.

IMPORTANTES MESURES DE SÉCURITÉ - POUR TOUS LES OUTILS ALIMENTÉS PAR PILES

⚠ AVERTISSEMENT! LIRE ET COMPRENDRE TOUTES LES DIRECTIVES. Le non-respect de toutes les directives suivantes présente des risques de secousses électriques, d'incendie ou de blessures graves.

CONSERVER CES MESURES.

ZONE DE TRAVAIL

- **S'assurer que la zone de travail est propre et bien éclairée.** Des établis encombrés et des endroits sombres présentent des risques d'accidents.
- **Ne pas utiliser des outils électriques en présence de vapeurs explosives (comme celles dégagées par des liquides, des gaz ou des poussières inflammables).** Les étincelles générées par le moteur des outils électriques peuvent enflammer les poussières ou les vapeurs.
- **Éloigner les curieux, les enfants et les visiteurs de la zone de travail lorsqu'on utilise un outil électrique.** Une distraction peut entraîner la perte de maîtrise de l'outil.

MESURES DE SÉCURITÉ RELATIVES À L'ÉLECTRICITÉ

- **Manipuler le cordon avec soin. Ne jamais se servir du cordon afin de transporter l'outil . Éloigner le cordon des sources de chaleur, des flaques d'huile, des arêtes tranchantes et des pièces mobiles. Remplacer immédiatement les cordons endommagés.** Les cordons endommagés augmentent les risques de secousses électriques.

- **Il faut charger un outil à piles intégrées ou un ensemble de piles seulement dans le chargeur conçu à cet effet.** Un chargeur convenant pour un type de piles peut présenter un risque d'incendie lorsqu'on s'en sert avec un autre type de piles.
- **Utiliser un outil alimenté par piles seulement avec la pile appropriée.** L'utilisation de toute autre pile présente des risques d'incendie.

SÉCURITÉ PERSONNELLE

- **Demeurer vigilant, prendre soin et faire preuve de jugement lorsqu'on utilise un outil électrique. Ne pas s'en servir lorsqu'on est fatigué ou affaibli par des drogues, de l'alcool ou des médicaments.** De graves blessures peuvent résulter d'un moment d'inattention lors de l'utilisation d'un outil électrique.
- **Porter des vêtements appropriés. Éviter de porter des vêtements amples ou des bijoux. Recouvrir la chevelure si elle est longue. Éloigner les cheveux, les vêtements et les gants des pièces en mouvement** qui peuvent les happer.
- **Éviter les démarrages accidentels. S'assurer que l'interrupteur est en position hors tension ou verrouillé avant d'insérer la pile.** Afin d'éviter les risques de blessures, ne pas transporter l'outil avec le doigt sur l'interrupteur ni insérer la pile dans un outil dont l'interrupteur est en position sous tension.
- **Enlever les clés de réglage avant de mettre l'outil sous tension.** Une clé qui est laissée sur une pièce rotative de l'outil présente des risques de blessures.
- **Ne pas dépasser sa portée. Garder son équilibre en tout temps.** On s'assure d'une meilleure maîtrise de l'outil dans des situations imprévues grâce à une position stable et un bon équilibre.
- **Porter de l'équipement de sécurité. Toujours porter des lunettes de sécurité.** Dans certaines conditions, il faut porter des masques respiratoires, des chaussures antidérapantes, un casque de sécurité ou des protège-tympan.

UTILISATION ET ENTRETIEN DE L'OUTIL

- **Utiliser des pinces de serrage ou de tout autre moyen pratique afin de fixer et de soutenir la pièce à ouvrir sur une plate-forme stable.** La pièce est instable lorsqu'elle est retenue par la main ou le corps de l'utilisateur. Cela présente des risques de perte de maîtrise de l'outil.
- **Ne pas forcer l'outil. Utiliser l'outil approprié à la tâche.** L'outil approprié fonctionne mieux et sûrement lorsqu'on s'en sert à son rendement nominal.
- **Ne pas se servir de l'outil lorsque l'interrupteur est défectueux.** Le cas échéant, l'outil est dangereux et il faut le réparer.
- **Enlever la pile de l'outil ou placer celui-ci en position hors tension ou verrouillée avant de le régler, d'en remplacer les accessoires ou de le ranger.** On minimise de la sorte le risque de démarrage accidentel de l'outil.
- **Ranger l'outil hors de portée des enfants et de toute autre personne qui n'en connaît pas le fonctionnement.** L'outil est dangereux entre les mains de ces personnes.
- **Lorsque la pile ne sert pas, l'éloigner de tout objet métallique (comme des trombones, des pièces de monnaie, des clés, des clous, des vis ou tout autre petit objet métallique qui peut créer une connexion d'une borne à l'autre).** Lorsque les bornes sont court-circuitées, cela peut générer des étincelles, des brûlures ou un incendie.
- **Prendre soin des outils. S'assurer que les outils de coupe sont tranchants et propres.** Des outils bien entretenus à arêtes tranchantes ont moins tendance à se coincer et ils se maîtrisent mieux.
- **Vérifier l'alignement et les attaches des pièces mobiles, le degré d'usure des pièces ainsi que tout autre facteur susceptible de nuire au bon fonctionnement de l'outil. Faire réparer un outil endommagé avant de s'en servir.** Des outils mal entretenus sont la cause de nombreux accidents.
- **Utiliser seulement les accessoires recommandés par le fabricant.** Des accessoires qui conviennent à un outil peuvent présenter des risques avec un autre outil.

ENTRETIEN

- **Confier l'entretien de l'outil seulement à du personnel qualifié.** Le non-respect de la présente directive présente des risques de blessures.
- **Lors de l'entretien de l'outil, utiliser seulement des pièces de rechange identiques. Respecter les consignes relatives à l'entretien du présent guide d'utilisation.** Il y a un risque de secousses électriques ou de blessures lorsqu'on utilise des pièces non autorisées ou lorsqu'on ne respecte pas les consignes relatives à l'entretien.

⚠ MESURES DE SÉCURITÉ SPÉCIFIQUES

- **Saisir l'outil par ses surfaces de prises isolées lorsque l'outil peut entrer en contact avec des fils cachés ou son cordon.** En cas de contact avec un fil sous tension, les pièces métalliques de l'outil seront sous tension et l'utilisateur subira des secousses électriques.
- **Lorsqu'on est installé sur une échelle ou un échafaudage pour travailler, on doit déposer l'outil sur le côté lorsqu'on ne s'en sert plus.** Bien que certains outils munis d'un gros bloc-piles puissent être placés à la verticale, dans cette position, ils peuvent facilement être renversés.

⚠ **AVERTISSEMENT :** certains outils électriques, tels que les sableuses, les scies, les meules, les perceuses ou certains autres outils de construction, peuvent produire de la poussière contenant des produits chimiques susceptibles d'entraîner le cancer, des malformations congénitales ou pouvant être nocifs pour le système reproductif. Parmi ces produits chimiques, on retrouve :

- le plomb dans les peintures à base de plomb,
- la silice cristalline dans les briques et le ciment et autres produits de maçonnerie,
- l'arsenic et le chrome dans le bois de sciage ayant subi un traitement chimique (comme l'arséniate de cuivre et de chrome).

Le risque associé à de telles expositions varie selon la fréquence avec laquelle on effectue ces travaux. Pour réduire l'exposition à de tels produits, il faut travailler dans un endroit bien aéré et utiliser le matériel de sécurité approprié, tel un masque anti-poussières spécialement conçu pour filtrer les particules microscopiques.

- **Éviter tout contact prolongé avec la poussière soulevée par cet outil ou autres outils électriques. Porter des vêtements de protection et nettoyer les parties exposées du corps avec de l'eau savonneuse.** S'assurer de bien se protéger afin d'éviter d'absorber par la bouche, les yeux ou la peau des produits chimiques nocifs.

⚠ **AVERTISSEMENT :** Cet outil peut produire et répandre de la poussière susceptible de causer des dommages sérieux et permanents au système respiratoire. Toujours utiliser un appareil respiratoire anti-poussières approuvé par le NIOSH ou l'OSHA. Diriger les particules dans le sens opposé du visage et du corps.

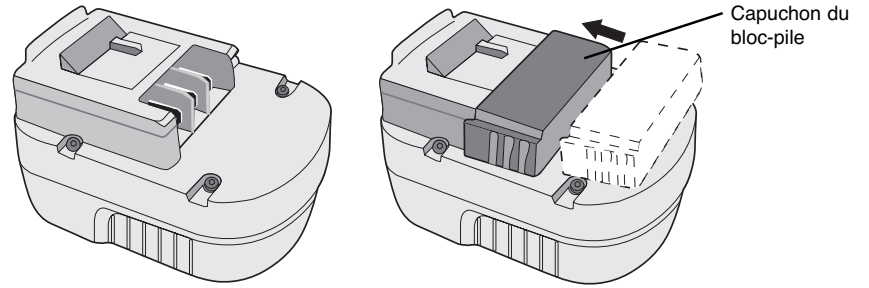
L'étiquette de l'outil peut comporter les symboles suivants.

V	volts	A	ampères
Hz	hertz	W	watts
min	minutes	~	courant alternatif
====	courant continu	no	sous vide
☐	construction de classe II	⊕	borne de terre
⚠	symbole d'avertissement	.../min	tours ou courses à la minute

INFORMATION CONCERNANT LE CAPUCHON DU BLOC-PILE

Un capuchon est fourni avec le bloc-pile en vue d'être utilisé chaque fois qu'on retire ce dernier de l'outil ou du chargeur en vue de le ranger ou de le transporter; enlever le capuchon avant de remettre le bloc-pile dans le chargeur ou dans l'outil.

⚠ **AVERTISSEMENT :** S'assurer, au moment de ranger ou de transporter un bloc-pile ou une pile, qu'aucun objet métallique n'entre en contact avec leurs bornes à découvert de celui-ci. Par exemple, il faut éviter de placer un bloc-pile ou une pile sans capuchon dans un tablier, une poche, une boîte à outils ou un tiroir (etc.) contenant des objets tels que des clous, des vis ou des clés, car tout contact entre les bornes à découvert et un objet métallique comme une clé, une pièce de monnaie, un outil à main, etc. pourrait causer un incendie. En effet, les règlements américains Hazardous Material Regulations (HMR) du US Department of Transportation interdisent le transport d'un bloc-pile ou d'une pile dans tout moyen de transport commercial ou aéronef (que ce soit dans une valise ou le bagage de cabine) SAUF s'ils sont bien protégés contre les courts-circuits. On doit donc s'assurer, lorsqu'on transporte un bloc-pile ou une pile séparément, de bien protéger et isoler les bornes contre tout matériau qui risque d'entrer en contact avec eux et de causer un court-circuit.



⚠ MESURES DE SÉCURITÉ : CHARGEMENT DE L'OUTIL

1. Le présent guide renferme d'importantes directives relatives à la sécurité et au fonctionnement.
2. Avant d'utiliser le chargeur de piles, bien lire toutes les directives et les mises en garde qui se trouvent sur (1) le chargeur de piles, (2) l'ensemble de piles et (3) le produit utilisant l'ensemble de piles.
3. ⚠ **MISE EN GARDE :** Afin de minimiser les risques de blessures, charger seulement des ensembles de piles Black & Decker. D'autres types de piles pourraient exploser et causer des blessures et des dommages.
4. Protéger le chargeur de la pluie et de la neige.
5. L'utilisation d'accessoires non recommandés ni vendus par Black & Decker présente des risques d'incendie, de secousses électriques ou de blessures.
6. Il vaut mieux tirer sur la fiche que sur le cordon pour débrancher le chargeur afin de minimiser les risques de dommages à la fiche et au cordon.
7. S'assurer que le cordon est situé de sorte qu'on ne puisse marcher dessus, y trébucher, l'endommager ou le soumettre à toute autre contrainte.
8. Utiliser un cordon de rallonge seulement en cas d'absolue nécessité. L'utilisation d'un cordon de rallonge inapproprié présente des risques d'incendie ou de secousses électriques.
 - a. Les cordons bifilaires peuvent être utilisés avec un cordon de rallonge muni de 2 ou de 3 fils. Il faut seulement utiliser des cordons de rallonge à gaine ronde homologués par l'organisme américain Underwriters Laboratories (U.L.). Lorsque le cordon de rallonge est utilisé à l'extérieur, il doit être prévu à cet effet. Tout cordon extérieur peut servir à l'intérieur. Les lettres «W» ou «WA» sur la gaine du cordon indiquent que celui-ci convient pour une utilisation à l'extérieur.
 - b. Les cordons de rallonge doivent être faits de conducteurs de calibre approprié (AWG ou jauge américaine des fils) par mesure de sécurité et afin de prévenir les pertes de puissance et les surchauffes. Le numéro de calibre du fil est inversement proportionnel à la capacité du cordon. Ainsi, un cordon de calibre 16 a une capacité supérieure à un cordon de calibre 18. Lorsqu'il est nécessaire d'utiliser plus d'un cordon de rallonge, veiller à ce que chaque cordon ait au moins le calibre minimal.

TABLEAU POUR LE CALIBRE MINIMAL (AWG) DES CORDONS DE RALLONGE INTENSITÉ (A) - PLAQUE SIGNALÉTIQUE - 0 - 10,0

Longueur totale du cordon de rallonge (pi)	25	50	75	100	125	150
Calibre de fil	18	18	16	16	14	14

9. Utiliser seulement le chargeur fourni pour charger la perceuse. L'utilisation de tout autre chargeur peut endommager la perceuse et être dangereuse.
10. Utiliser un seul chargeur à la fois.
11. Ne pas tenter de démonter le chargeur ni la perceuse. L'utilisateur ne peut les réparer. En confier les réparations à un centre de service autorisé Black & Decker.
12. NE PAS incinérer la perceuse ni les ensembles de piles même si ceux-ci sont très endommagés ou complètement usés. La chaleur des flammes risque de les faire exploser.
13. Ne pas incinérer les piles. La chaleur des flammes risque de les faire exploser. Il peut se produire une légère fuite du liquide excitateur des piles dans des conditions d'utilisation et de chargement difficiles ou en cas de température extrême, fuite qui ne serait pas nécessairement un signe de panne. Toutefois, si ce liquide s'échappe par une rupture du joint étanche du boîtier et atteint la peau, il faut :
 - a. laver immédiatement à l'eau et au savon;
 - b. neutraliser à l'aide d'un acide doux (jus de citron ou vinaigre, p. ex.);
 - c. si le liquide excitateur atteint les yeux, il faut rincer à l'eau claire pendant au moins dix minutes et consulter immédiatement un médecin. **AVIS AU MÉDECIN :** Le liquide excitateur est une solution d'hydrogène de potassium à 25-35 p. 100.

CHARGEMENT DU BLOC-PILE

LES PILES NE SONT PAS COMPLÈTEMENT CHARGÉES EN USINE. IL IMPORTE DONC DE LIRE ATTENTIVEMENT TOUTES LES CONSIGNES DE SÉCURITÉ AVANT DE LE CHARGER.

Le chargeur est conçu pour être branché dans une prise résidentielle standard de 120 volts et de 60 Hz.

1. S'assurer que la pile est bien enclenchée dans l'outil.. Insérer la fiche du chargeur dans le connecteur (fig.1).
2. Brancher le chargeur dans une prise murale appropriée et charger les piles pendant **9 heures**. Après la charge initiale et à la suite d'une utilisation normale, le bloc-pile devrait se charger complètement en **3 à 6 heures**.
3. Débrancher le chargeur de la prise murale, puis débrancher le chargeur de l'outil.

⚠ **AVERTISSEMENT :** Ne pas utiliser l'outil lorsqu'il est raccordé au chargeur.

REMARQUE : pour retirer le bloc-pile de l'outil, appuyer sur le bouton de dégagement situé à l'arrière du bloc-pile (figure 2) et tirer sur ce dernier pour le dégager.

CONSEILS IMPORTANTS CONCERNANT LE CHARGEMENT

1. À la suite d'une utilisation normale, le bloc-pile devrait prendre de **3 à 6 heures** pour se charger complètement, et jusqu'à **6 heures** s'il est complètement déchargé. Le bloc-pile n'est pas chargé au moment de quitter l'usine; on doit donc le charger pendant au moins 9 heures avant de l'utiliser.
2. Afin d'éviter d'endommager le bloc-pile, il est important de NE PAS le charger à des températures inférieures à +4,5 °C (+40 °F) ou supérieures à +40,5 °C (+105 °F). Pour augmenter la durée de vie du bloc-pile et optimiser son rendement, le charger à une température d'environ 24°C (75 °F).
3. Le chargeur peut émettre un bourdonnement ou devenir chaud au toucher durant le chargement. Cela est normal et n'indique pas la présence d'un problème.
4. Si le bloc-pile ne se charge pas normalement, il faut : (1) vérifier l'alimentation de la prise en y enfichant une lampe ou un appareil, (2) s'assurer que la prise n'est pas raccordée à un interrupteur qui coupe le courant lorsqu'on éteint les lumières, (3) placer le chargeur et le bloc-pile dans un endroit où la température ambiante est environ +4,5 °C (+40 °F) à +40,5 °C (+105 °F) ou, si le problème persiste, (4) retourner le bloc-pile et le chargeur au centre de service Black & Decker le plus près (les centres de service autorisés sont répertoriés dans les pages jaunes sous la rubrique «Outils - électriques»).
5. Le bloc-pile doit être rechargé lorsqu'il ne produit pas suffisamment de courant pour permettre à l'utilisateur de travailler normalement. On doit **CESSER** d'utiliser la scie dans de telles conditions.
6. On peut prolonger la durée de vie du bloc-pile en évitant de le laisser dans le chargeur pendant de longues périodes (plus de 30 jours lorsqu'on ne l'utilise pas). Bien que la surcharge du bloc-pile ne soit pas un problème au niveau de la sécurité, cette pratique peut réduire de façon appréciable sa durée de vie.
7. Lorsqu'on insère le bloc-pile dans le chargeur, le témoin rouge s'allume pour indiquer que le contact entre le bloc-pile et le chargeur s'est établi; celui-ci reste allumé tant que le bloc-pile est dans le chargeur et que ce dernier est enfiché dans une prise sous tension. Le témoin **NE CLIGNOTERA PAS**, ne s'éteindra pas et ne changera pas de couleur une fois la période de charge terminée.
8. Le bloc-pile atteindra son rendement optimal après avoir terminé cinq cycles de charge et de décharge au cours d'une utilisation normale. Il n'est pas nécessaire de décharger complètement le bloc-pile avant de le recharger. Le meilleur moyen de charger et de décharger le bloc-pile est de l'utiliser normalement.

⚠ MESURES DE SÉCURITÉ : PERCEUSES

1. Ne pas verrouiller la perceuse en mode de fonctionnement continu lorsqu'on perce à la main. Consulter la rubrique «Fonctionnement - Interrupteur».
2. **Bien saisir la perceuse afin d'en maîtriser l'effet de torsion.**
3. Lorsqu'on installe un accessoire dans le mandrin de la perceuse, il faut bien le serrer le mandrin sans clé, à la main.

⚠ AVERTISSEMENT : La perceuse peut caler (en raison d'une surcharge ou d'une mauvaise utilisation) et provoquer un effet de torsion. Toujours en prévenir le blocage. La saisir fermement pour en empêcher l'effet de torsion et pour prévenir la perte de maîtrise de l'outil qui pourrait occasionner des blessures. Lorsque la perceuse cale, relâcher immédiatement la détente et déterminer la cause du blocage avant de se servir de nouveau de l'outil.

CONSERVER CES MESURES À TITRE DE RÉFÉRENCE.

FONCTIONNEMENT

Inverseur de marche

L'inverseur de marche permet de choisir le mode de fonctionnement de l'outil et de le verrouiller en position d'arrêt (fig.A). Pour actionner la marche avant, il faut relâcher l'interrupteur à détente, puis enfoncer l'inverseur vers la droite de l'outil. Pour actionner la marche arrière, il faut relâcher l'interrupteur à détente, puis enfoncer l'inverseur vers la gauche de l'outil. L'outil est verrouillé en position hors circuit lorsque l'inverseur se trouve au centre. Il faut relâcher l'interrupteur à détente avant de modifier la position de l'inverseur de marche. **NOTE** : Lorsqu'on démarre l'outil après en avoir changé le mode de fonctionnement, un dé clic peut se faire entendre. Il s'agit d'une situation normale qui ne pose aucun problème.

RÉGULATEUR DE COUPLE

L'outil est doté d'un collier qui permet de choisir le mode de fonctionnement et de serrer les vis selon le couple voulu. Le réglage des grosses vis et des matériaux durs doit être plus élevé que celui des petites vis et des matériaux mous.

- Pour percer un trou dans le bois, le métal ou le plastique, régler le collier à la position de perçage indiquée par le symbole
- Pour utiliser l'outil comme tournevis, régler le collier à la position voulue. Si on ne connaît pas encore la position correcte, procéder comme suit :
- Régler le collier à la plus basse position.
- Serrer la première vis.
- Si l'embrayage de l'outil se met à encliqueter avant que la vis ne soit bien ancrée, tourner le collier vers une position plus élevée et enfoncer complètement la vis. Continuer de tourner le collier jusqu'à la position voulue. Conserver ce réglage pour serrer les autres vis.

Fonctionnement du mandrin sans clé

Pour fixer l'accessoire, saisir la moitié arrière du mandrin d'une main et, de l'autre, faire tourner dans le sens antihoraire la moitié avant. Insérer le foret ou tout autre accessoire à fond dans le mandrin, puis serrer fermement en retenant la moitié arrière au mandrin et en faisant tourner dans le sens horaire la moitié avant, lorsqu'on se place à l'extrémité du mandrin.

Perçage

- N'utiliser que des forets bien affûtés.
- Veiller à ce que la pièce à percer soit solidement retenue ou fixée en place, selon les mesures de sécurité.
- Porter l'équipement de sécurité approprié et requis, selon les mesures de sécurité.
- Rendre la zone de travail sûre et en assurer l'entretien, selon les mesures de sécurité.
- Actionner la perceuse à basses vitesses en exerçant une pression minimale jusqu'à ce que le trou soit suffisamment percé afin d'empêcher le glissement du foret hors du trou.
- Toujours exercer la pression en ligne directe avec le foret. N'user que de la force nécessaire pour que le foret continue de percer; éviter de trop forcer, ce qui pourrait faire étouffer le moteur ou dévier le foret.
- **Bien saisir la perceuse afin de maîtriser son effet de torsion.**
- **NE PAS ACTIONNER À PLUSIEURS REPRISES LA DÉTENTE D'UNE PERCEUSE BLOQUÉE DANS LE BUT DE LA DÉCOINCER AU RISQUE DE L'ENDOMMAGER.**
- Réduire la pression exercée sur l'outil et le foret vers la fin de la course afin d'éviter que le moteur ne cale en traversant le matériau.
- Laisser le moteur en marche lorsqu'on retire le foret du trou afin d'en prévenir le coincement.
- Utiliser de l'huile de coupe pour percer dans les métaux, sauf la fonte et le laiton qui se percent à sec. Les huiles de coupe les plus efficaces sont l'huile sulfurisée ou l'huile de lard; la graisse de bacon est parfois suffisante.
- Les forets hélicoïdaux à métal peuvent servir à percer le bois, mais il faut les retirer souvent du trou pour chasser les copeaux et rognures des goujures.
- **S'assurer que l'interrupteur met l'outil en marche et qu'il l'arrête.**

⚠ AVERTISSEMENT : Il est essentiel de bien soutenir la pièce à ouvrir et de saisir fermement la perceuse afin de prévenir la perte de maîtrise de l'outil qui pourrait occasionner de graves blessures. Pour obtenir de plus amples renseignements relatifs au bon fonctionnement de l'outil, composer le : **1 800 544-6986**.

PERÇAGE DANS LE BOIS

Les forets hélicoïdaux à métal peuvent servir à percer le bois, mais il faut s'assurer qu'ils sont affûtés et il faut les retirer souvent du trou pour chasser les copeaux et rognures des goujures.

PERÇAGE DANS LE MÉTAL

Utiliser de l'huile de coupe pour percer les métaux, sauf la fonte et le laiton qui se percent à sec. Les huiles de coupe les plus efficaces sont l'huile sulfurisée ou l'huile de lard; la graisse de bacon est parfois suffisante.

PERÇAGE DANS LA MAÇONNERIE

Utiliser des forets au carbure à basses vitesses. Consulter la rubrique «Perçage». Exerçant une pression constante, sans forcer afin d'éviter de casser les matériaux friables. Une production uniforme de poussière à débit moyen indique un perçage convenable.

Dépannage

Problème	Cause possible	Solution possible
• L'appareil refuse de démarrer.	• Mauvaise installation de la batterie. • Pile non chargée.	• Vérifier l'installation de la batterie. • Vérifier les exigences de charge pour la pile.
	• Bouton de verrouillage activé.	• Déplacer le bouton de verrouillage en position centrale.
• La pile ne se charge pas.	• Pile non insérée dans le chargeur. • Chargeur non branché.	• Insérer la pile dans le chargeur de sorte que le voyant DEL rouge apparaisse. • Brancher le chargeur dans une prise qui fonctionne. Se reporter à la rubrique « Remarques importantes de chargement » pour plus de renseignements.

Pour de l'aide avec l'outil, consulter notre site Web www.black&decker.com pour l'emplacement du centre de réparation le plus près ou communiquer avec l'assistance BLACK & DECKER au **1-800-544-6986**.

ENTRETIEN

Nettoyer l'outil seulement à l'aide d'un savon doux et d'un linge humide. Ne laisser aucun liquide s'infiltrer dans l'outil et ne jamais immerger l'outil.

IMPORTANT : Pour assurer la SÉCURITÉ D'EMPLOI et la FIABILITÉ de l'outil, n'en confier la réparation, l'entretien et les ajustements qu'à un centre de service ou à un atelier d'entretien autorisé n'utilisant que des pièces de rechange identiques.

Sceau RBRC^{MC}

Le sceau RBRC^{MC} de la Rechargeable Battery Recycling Corporation apposé sur la pile au nickel-cadmium (ou le bloc-pile) indique que les coûts de recyclage de ce dernier à la fin de sa vie utile ont déjà été payés par Black & Decker. En certains endroits, la mise au rebut ou aux ordures municipales des piles au nickel-cadmium est illégale; le programme de «RBRC» constitue donc une solution des plus pratiques et écologiques. La «RBRC», en collaboration avec Black & Decker et d'autres utilisateurs de piles, a mis sur pied des programmes aux États-Unis et au Canada dans le but de faciliter la collecte des piles déchargées. Black & Decker encourage ses utilisateurs à participer à son programme de protection de l'environnement et de conservation des ressources naturelles en retournant les piles usagées à un centre de service Black & Decker ou chez un dépositaire local afin



qu'elles puissent être recyclées. On peut en outre se renseigner auprès d'un centre de recyclage local pour connaître d'autres sites les acceptant, ou composer le **1 800 8-228-8379** pour obtenir de l'information sur le recyclage de ces piles dans sa région.

Accessoires

Les détaillants et le centre de service de la région vendent les accessoires recommandés pour l'outil. Pour trouver un accessoire, composer le **1 800 544-6986**.

Il faut utiliser les accessoires suivants seulement en fonction des dimensions spécifiées. FORETS À MÉTAL – 9,5 mm (3/8 po) max.; FORETS À MAÇONNERIE – 9,5 mm (3/8 po) max.; FORETS À BOIS – 12,7 mm (1/2 po) max.

⚠ AVERTISSEMENT : L'utilisation de tout accessoire non recommandé pour l'outil peut être dangereuse.

Information sur les réparations

Black & Decker dispose d'un réseau complet de centres de service et de centres autorisés situés partout en Amérique du Nord. Tous les centres de service Black & Decker sont dotés de personnel qualifié en matière d'outillage électrique; ils sont donc en mesure d'offrir à leur clientèle un service efficace et fiable.

Que vous ayez besoin d'un avis technique, d'une réparation ou de pièces de rechange authentiques installées en usine, communiquez avec l'établissement Black & Decker le plus près de chez vous. Pour trouver l'établissement de réparation de votre région, consulter le répertoire des pages jaunes à la rubrique « Outils électriques » ou composez le numéro suivant : **1 (800) 54-HOW-TO (544-6986)**.

Garantie complète de deux ans pour usage résidentiel

Black & Decker (É.-U.) Inc. garantit ce produit pour une durée de deux ans contre tout défaut de matériau ou de fabrication. Le produit défectueux sera remplacé ou réparé sans frais de l'une des deux façons suivantes :

La première façon consiste en un échange chez le détaillant où le produit a été acheté (à la condition que le magasin soit un détaillant participant). Tout retour doit se faire durant la période correspondant à la politique d'échange du détaillant (habituellement, entre 30 et 90 jours après l'achat). Une preuve d'achat peut être requise. Vérifiez auprès du détaillant pour connaître sa politique concernant les retours hors de la période définie pour les échanges.

La deuxième option est d'apporter ou d'envoyer le produit (transport payé d'avance) à un centre de réparation autorisé ou à un centre de service de Black & Decker pour faire réparer ou échanger le produit, à notre discrétion. Une preuve d'achat peut être requise. Les centres de service de Black & Decker et les centres de réparation autorisés sont répertoriés dans les pages jaunes sous la rubrique « Outils électriques » du bottin téléphonique.

Cette garantie ne s'applique pas aux accessoires. Cette garantie vous accorde des droits légaux spécifiques et vous pourriez avoir d'autres droits qui varient d'un État ou d'une province à l'autre. Si vous avez des questions, communiquez avec le directeur du centre de réparation Black & Decker le plus près de chez vous. Ce produit n'est pas destiné à un usage commercial.

REPLACEMENT GRATUIT DES ÉTIQUETTES D'AVERTISSEMENT : Si vos étiquettes d'avertissement deviennent illisibles ou sont manquantes, composez le **1 (800) 544-6986** pour faire remplacer gratuitement vos étiquettes.

Imported by / Importé par
Black & Decker Canada Inc.
100 Central Ave.
Brockville (Ontario) K6V 5W6

Voir la rubrique "Outils électriques"
des Pages Jaunes
pour le service et les ventes.



**¡GRACIAS POR ELEGIR BLACK & DECKER!
VAYA A WWW.BLACKANDDECKER.COM/NEWOWNER
PARA REGISTRAR SU NUEVO PRODUCTO.**

**ANTES DE DEVOLVER ESTE PRODUCTO POR
CUALQUIER MOTIVO, LLAME AL (55) 5326-7100**

INFORMACION IMPORTANTE QUE USTED DEBE SABER

Cargue la batería durante 9 horas antes de utilizar el producto por primera vez. Para mayor información consulte las instrucciones "PARA CARGAR EL APARATO DE RECARGA DE BATERIA".

REGLAS GENERALES DE SEGURIDAD - PARA TODAS LAS HERRAMIENTAS OPERADAS CON BATERÍAS

⚠ ¡ADVERTENCIA! LEA Y COMPRENDA TODAS LAS INSTRUCCIONES. No hacerlo puede originar riesgos de choque eléctrico, incendio y lesiones personales de gravedad.

CONSERVE ESTAS INSTRUCCIONES

ÁREA DE TRABAJO

- **Conserve su área de trabajo limpia y bien iluminada.** Las bancas amontonadas y las zonas oscuras propician los accidentes.
- **No opere herramientas eléctricas en atmósferas explosivas, como en presencia de líquidos, gases o polvos inflamables.** Las herramientas eléctricas producen chispas que pueden originar la ignición de los polvos o los vapores.
- **Conserve a observadores, niños y visitantes alejados mientras opera una herramienta eléctrica.** Las distracciones pueden ocasionar que pierda el control.

SEGURIDAD ELÉCTRICA

- **No maltrate el cable. Nunca utilice el cable para transportar la herramienta. Conserve el cable alejado de calor, aceite, bordes afilados o piezas móviles. Reemplace inmediatamente los cables dañados.** Los cables dañados pueden originar incendio.
- **Una herramienta de baterías con baterías integradas o por separado debe recargarse únicamente con el cargador especificado para esas baterías.** Un cargador que pueda adecuarse a un tipo de batería puede crear riesgos de incendio cuando se emplea con otra batería.
- **Utilice su herramienta de baterías únicamente con la batería especialmente diseñada para ella.** El empleo de otras baterías puede crear riesgos de incendio.

SEGURIDAD PERSONAL

- **Esté alerta, concéntrese en lo que está haciendo. Recorra al sentido común cuando opere una herramienta eléctrica.** No opere ninguna herramienta si se encuentra fatigado o bajo la influencia de drogas, alcohol o medicamentos. Un momento de desatención mientras se operan herramientas eléctricas puede ocasionar lesiones graves.
- **Vístase de manera adecuada. No tenga puestas ropas o artículos de joyería flojos. Cubra su cabello si lo tiene largo.** Conserve su cabello, sus ropas y guantes alejados de las piezas móviles. Las piezas de vestir flojas, las joyas y el cabello largo pueden resultar atrapados por las piezas móviles.
- **Evite el encendido accidental.** Asegúrese que el interruptor esté en posición de apagado antes de instalar la batería. Sostener una batería con el dedo en el interruptor o conectarla sin fijarse si el interruptor está en posición de encendido propicia los accidentes.
- **Retire las llaves de ajuste antes de encender la herramienta.** Una llave que se deja en una pieza giratoria puede ocasionar lesiones personales.
- **No se sobreexienda. Conserve siempre los pies bien apoyados, al igual que el equilibrio.** La posición correcta de los pies y el equilibrio permiten controlar mejor la herramienta en situaciones inesperadas.
- **Utilice equipo de seguridad. Siempre utilice protección en los ojos.** Se deben utilizar mascarillas contra polvo, zapatos antiderrapantes, casco o protectores para los oídos para tener las condiciones apropiadas.

USO Y CUIDADOS DE LA HERRAMIENTA

- **Utilice prensas u otros medios prácticos para asegurar y apoyar la pieza de trabajo en una plataforma estable.** Sujetar las piezas con la mano o contra su cuerpo es inestable y puede originar la pérdida de control.

- **No fuerce la herramienta. utilice la herramienta adecuada para su aplicación.** La herramienta adecuada hará mejor el trabajo y de manera más segura bajo las especificaciones para las que se diseñó.
- **No utilice la herramienta si el interruptor no enciende y apaga.** Cualquier herramienta que no pueda controlarse por medio del interruptor es peligrosa y debe repararse.
- **Desconecte la batería de la herramienta o coloque el interruptor en posición de apagado antes de hacer cualquier ajuste, cambio de accesorios o de guardar la herramienta.** Tales medidas de seguridad preventivas reducirán el riesgo de que la herramienta se encienda accidentalmente.
- **Guarde las herramientas fuera del alcance de los niños y de otras personas no capacitadas.** Las herramientas son peligrosas en manos de personas no capacitadas.
- **Cuando no utilice la batería consérvela alejada de objetos metálicos como: clips, monedas, llaves, clavos, tornillos y otras piezas de metal que puedan establecer una conexión entre una terminal y otra.** Hacer corto en las terminales de la batería puede ocasionar chispas, quemaduras o incendios.
- **Cuide sus herramientas. Conserve las herramientas de corte afiladas y limpias.** Las herramientas que reciben un mantenimiento adecuado, con piezas de corte afiladas, difícilmente se atascan y son más fáciles de controlar.
- **Verifique la alineación de las piezas móviles, busque fracturas en las piezas y cualesquiera otras condiciones que puedan afectar la operación de las herramientas.** Si está dañada, lleve su herramienta a servicio antes de usarla de nuevo. Muchos accidentes se deben a herramientas con mantenimiento pobre.
- **Solamente use accesorios que el fabricante recomiende para su modelo de herramienta.** Los accesorios que estén diseñados para una herramienta, pueden volverse peligrosos cuando se emplean con otra.

SERVICIO

- **El servicio a las herramientas lo debe efectuar únicamente personal calificado.** El servicio o mantenimiento realizado por personal no calificado puede originar riesgos de lesiones.
- **Cuando efectúe servicio a una herramienta, utilice únicamente refacciones idénticas. Siga las instrucciones de la sección de Mantenimiento de este manual.** El empleo de piezas no autorizadas o no seguir las instrucciones de mantenimiento puede originar riesgos de choque eléctrico o lesiones.

⚠️ REGLAS ESPECÍFICAS DE SEGURIDAD

- **Sujete la herramienta por las superficies aislantes cuando realice una operación en que la herramienta pueda hacer contacto con cableados ocultos.** Al hacer contacto con un cable "vivo", las partes metálicas de la herramienta se vuelven "vivas" y pueden originar un choque al operador.
- **Cuando trabaje en una escalera o una plataforma asegúrese de dejar la herramienta de lado cuando no la use.** Algunas herramientas con baterías grandes se paran sobre su base, pero se pueden volcar fácilmente.
- **AVERTISSEMENT : El polvo creado al lijar, aserrar, pulir, taladrar o realizar otras actividades de la construcción, contiene substancias químicas que se sabe producen cáncer, defectos de nacimiento u otros defectos del sistema reproductor. Algunos ejemplos de esos productos químicos son:**
 - El plomo de las pinturas a base de plomo,
 - La sílice cristalina de los ladrillos, del cemento y de otros productos de albañilería, y
 - El arsénico y el cromo de la madera tratada químicamente (CCA).

El riesgo que se corre a causa del contacto con esos productos varía según la frecuencia con que usted realice este tipo de trabajos. Con el fin de reducir su exposición a esas substancias químicas, trabaje en un área bien ventilada y utilice un equipo de seguridad reglamentario, tal como una máscara contra el polvo especialmente diseñada para filtrar partículas microscópicas.

- **Evite el contacto prolongado con el polvo proveniente del lijado, aserrado, amolado y taladrado eléctrico y otras actividades de construcción. Use vestimenta protectora y lave todas las áreas expuestas con agua y jabón.** De entrar polvo en sus ojos, boca, o que este permanezca sobre su piel puede promover la absorción de químicos dañinos.

⚠️ **AVERTISSEMENT :** El uso de esta herramienta puede generar y/o dispersar el polvo, el cual puede ocasionar lesión respiratoria u otro tipo de lesión grave y permanente. Utilice siempre protección respiratoria NIOSH/OSHA apropiada para la exposición al polvo. Dirija las partículas lejos de su cara o su cuerpo.

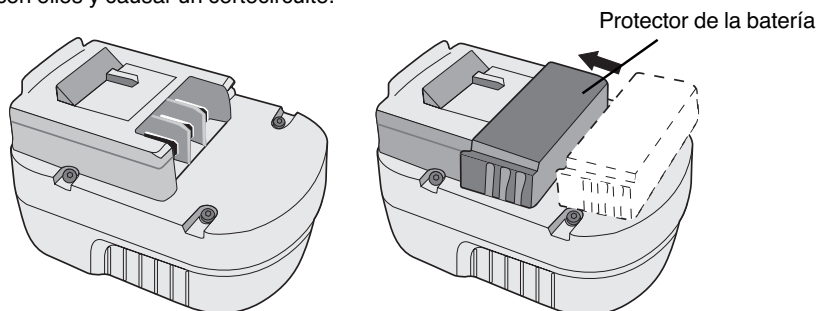
La etiqueta de su herramienta puede incluir los siguientes símbolos.

V	volts	SPM	Golpes por minuto
A	amperes	Hz	hertz
W	watts	min	minutos
~	corriente alterna	====	corriente directa
n ₀	velocidad sin carga	☐	construcción clase II
⊕	terminales de conexión a tierra		
⚠️	símbolo de alerta seguridad	.../min	revoluciones o reciprocaciones

INFORMACIÓN ACERCA DEL PROTECTOR DE LA BATERÍA

Se han incluido protectores para el almacenaje y transporte de la batería. Estos deben ser usados cuando la batería no esté conectada a la herramienta ni en el cargador. Recuerde quitar el protector antes de poner la batería en el cargador o conectarla a la herramienta.

- **ADVERTENCIA:** No guarde ni lleve baterías, unidades de alimentación o pilas en un lugar donde sus terminales pudieran entrar en contacto con algún objeto metálico. Por ejemplo, no ponga baterías, unidades de alimentación o pilas dentro de un delantal o bolsillo, una caja de herramientas o de almacenamiento del producto, un cajón, etc., junto con clavos sueltos, tornillos, llaves, etc. si no están debidamente protegidas. El transporte de baterías, unidades de alimentación o pilas puede causar un incendio si sus terminales entran en contacto sin querer con materiales conductores como llaves, monedas, herramientas de mano y otros por el estilo. De hecho, el reglamento sobre materiales peligrosos (HMR) del Ministerio de Transporte de los Estados Unidos prohíbe el transporte de baterías, unidades de alimentación o pilas en cualquier tipo de transporte terrestre o aéreo (es decir, embaladas en maletas y maletines de mano) A NO SER que estén debidamente protegidas de hacer cortocircuito. Por lo tanto, cuando transporte baterías, unidades de alimentación o pilas individuales, asegúrese que sus terminales estén protegidos y debidamente aislados de materiales que pudieran entrar en contacto con ellos y causar un cortocircuito.



⚠️ ADVERTENCIAS E INSTRUCCIONES DE SEGURIDAD: CARGA DEL TALADRO

1. Este manual contiene instrucciones de seguridad y de operación importantes.
2. Antes de utilizar el cargador de baterías, lea todas las instrucciones y las marcas precautorias en (1) el cargador de baterías, (2) la batería y (3) el producto que emplea la batería.
3. ⚠️ **PRECAUCION:** A fin de reducir el riesgo de lesiones, solamente recargue baterías Black & Decker. Otros tipos de baterías pueden estallar ocasionando lesiones personales y daños.
4. No exponga el cargador a lluvia o nieve.
5. El uso de dispositivos no recomendados o vendidos por Black & Decker puede originar riesgos de incendios, descargas eléctricas o lesiones a personas.

6. Para reducir el riesgo de daños a la clavija o al cable, tire de la clavija en vez de tirar del cable cuando desconecte el cargador.
7. Asegúrese que el cable se ubique de manera que no se pise, se enrolle, o se sujete a otro tipo de tensiones o daños.
8. No deben emplearse cables de extensión a menos que sea absolutamente indispensable. El empleo de una extensión incorrecta puede resultar en riesgos de incendio, choque eléctrico o electrocución.
- a. Los cables de 2 hilos se pueden emplear con extensiones de 2 o de 3 hilos. Solamente deberán emplearse extensiones con cubierta cilíndrica, y le recomendamos que estén aprobados por la Norma Oficial Mexicana (NOM). Si se piensa utilizar la extensión a la intemperie, ésta deberá ser adecuada para dicho uso. Cualquier extensión marcada para utilizarse a la intemperie se puede emplear bajo techo. las siglas "W" o "WA" en la cubierta de la extensión indican que es adecuada para utilizarse a la intemperie.
- b. Una extensión debe tener el calibre de cable adecuado (AWG o American Wire Gauge) por seguridad, y a fin de evitar pérdida de potencia y sobrecalentamiento. Mientras más pequeño sea el número del calibre del alambre, mayor será su capacidad; esto significa que un cable de calibre 16 tiene mayor capacidad que otro de calibre 18. Cuando emplee más de una extensión para alcanzar la longitud total, asegúrese que cada extensión tenga por lo menos el calibre mínimo requerido.

TABLA PARA EL CALIBRE MÍNIMO DEL ALAMBRE (AWG) EN CABLES DE EXTENSION

AMPERAJE EN LA PLACA DE IDENTIFICACION - 0 - 10,0	7,6	15,2	22,8	30,4	38,1	45,7
Longitud total del cable de extensión (m)	18	18	16	16	14	14
Calibre del alambre						

9. Solamente utilice el cargador suministrado para recargar su taladro. El empleo de cualquier otro cargador puede dañar el taladro o crear condiciones peligrosas.
10. Solamente utilice un cargador cuando cargue.
11. Nunca intente abrir el cargador ni el taladro. No contienen partes susceptibles de ser reparadas por el usuario en su interior. Envíelos a cualquier centro de servicio Black & Decker.
12. NO incinere el taladro o la batería aún cuando estén muy dañados o la batería esté completamente desgastada. Pueden explotar con el fuego. Puede ocurrir una pequeña fuga de líquido de las celdas de la batería bajo condiciones extremas de uso, carga o temperatura. Esto no indica fallas, sin embargo, si el sello externo está roto y el líquido hace contacto con su piel:
 - a. Lave inmediatamente con agua y jabón.
 - b. Neutralice con un ácido débil como jugo de limón o vinagre.
 - c. Si el líquido de la batería toca sus ojos, enjuáguelos con agua limpia por un mínimo de 10 minutos y busque inmediatamente atención médica. **NOTA MEDICA:** el líquido es una solución de potasa cáustica en concentración de 25 a 35%.

CÓMO CARGAR LA UNIDAD DE ALIMENTACIÓN

LAS BATERÍAS DE SU UNIDAD DE ALIMENTACIÓN NO VIENEN COMPLETAMENTE CARGADAS DE LA FÁBRICA. ANTES DE INTENTAR CARGARLAS, LEA CONCIENZUDAMENTE TODAS LAS INSTRUCCIONES DE SEGURIDAD.

El cargador está diseñado para utilizar la corriente doméstica estándar de 120 voltios 60 Hz.

1. Asegúrese que la batería esté bien conectada al taladro. Conecte el cargador al conector, como lo muestra la Figura 1.
2. Enchufe el cargador en cualquier toma de corriente estándar de 120 voltios 60 Hz y deje que la batería se cargue inicialmente por **9 horas**. Luego de la carga inicial, su unidad de alimentación debería cargarse completamente en **3 a 6 horas**, si tiene una frecuencia de uso normal.
3. Desconecte el cargador de la toma de corriente, luego desconecte el cargador de la herramienta.

⚠️ **ADVERTENCIA:** No use la herramienta mientras se encuentra conectada al cargador.

NOTA: Para quitar la batería del taladro, presione el pulsador de liberación que se encuentra en la parte posterior de la batería (Figura 2) y deslícela hacia afuera.

NOTAS IMPORTANTES RESPECTO EL CARGADO

1. Luego de uso normal su batería debería recargarse totalmente en un plazo de 3 a 6 horas. En el caso de que se encuentre totalmente descargado puede demorar hasta 6 horas en recargarse. Su batería fue enviada desde la fábrica sin estar cargada. Antes de intentar usarlo debe cargarse durante 9 horas.
2. NO CARGUE la batería a una temperatura inferior a 40°F ni mayor a 105°F. Esto es muy importante y asistirá en prevenir daños serios a la batería. Una vida útil duradera y el máximo rendimiento pueden obtenerse a una temperatura de 75°F.
3. Mientras este cargando la batería, el cargador puede en algunos casos emitir un zumbido y su temperatura puede aumentar ligeramente. Esta es una condición normal que no implica ningún problema.
4. En caso de que el cargador no cargue adecuadamente - (1) Verifique la corriente en el receptáculo enchufando una lámpara o accesorio similar a la toma de corriente. (2) Verifique si el receptáculo esta conectado a una toma de luz que apaga la corriente al apagar las luces. (3) Mueva la batería y el cargador a una temperatura ambiente de 40°F a 105°F. (4) Si el receptáculo esta en buen estado y la temperatura es la correcta y no logra cargar la batería, lleve o envíe su batería y cargador a un centro Black & Decker cercano a su domicilio. Ver bajo Herramientas Eléctricas en las paginas amarillas de su Anuario telefónico.
5. El cargador debe recargarse cuando ya no produce suficiente energía para labores que se realizaban fácilmente con anterioridad. **NO CONTINUE A UTILIZAR SU SIERRRA** con la batería si éstas se encuentran sin energía.
6. Para prolongar la vida útil de la batería, evite que esté cargándose durante periodos de tiempo largos (Mas de 30 días sin uso). Aun cuando una sobrecarga no es un factor de seguridad, puede afectar considerablemente su vida útil.
7. Cuando la batería se encuentra insertado en el cargador, el "Indicador de Carga" rojo se encenderá indicando que existe contacto entre la batería y el cargador. La luz permanecerá encendida mientras la batería se encuentre en el cargador y el mismo se encuentra enchufado a la toma de corriente. En caso de que **NO SE ENCIENDA**, retire o cambie a un color diferente cuando el ciclo este completo.
8. El cargador alcanzara su rendimiento óptimo luego de haber completado 5 ciclos bajo uso normal. No hay necesidad de dejar que se descarguen totalmente las baterías antes de recargarlas. El uso normal es el mejor método para descargar y recargar las baterías.

⚠️ ADVERTENCIAS E INSTRUCCIONES DE SEGURIDAD: TALADROS

1. No asegure el taladro en posición de ENCENDIDO permanente cuando taladre a mano. Refiérase a Instrucciones de operación-Interruptor.
2. Sujete el taladro con firmeza para controlar la acción de torsión.
3. Cuando instale accesorios en el portabrocas, apriételo a mano con firmeza.
 - **ADVERTENCIA:** El taladro se puede atascar (si se sobrecarga o se utiliza de manera inadecuada) ocasionando un giro. Siempre espere el atascamiento. Sujete el taladro con firmeza para controlar la acción de torsión y evitar la pérdida de control que pudiera causar lesiones personales. Si el taladro se atasca, suelte inmediatamente el gatillo y determine la razón del atascamiento antes de reiniciar la operación.

CONSERVE ESTAS INSTRUCCIONES PARA REFERENCIAS FUTURAS

INSTRUCCIONES DE OPERACION

Interruptor y palanca de control

Un botón de control de marcha determina la dirección de la herramienta y funciona también como botón de trabado (Figura A. Para seleccionar la rotación hacia adelante, suelte el gatillo interruptor y oprima el botón de control del lado derecho de la herramienta.

Para seleccionar reversa, oprima el botón de control del lado izquierdo de la herramienta. La posición central del botón de control asegura la herramienta en la posición de APAGADO. Cuando cambie la posición del botón de control, asegúrese que el gatillo interruptor se encuentra liberado.

NOTA: La primera vez que encienda la herramienta después de cambiar la dirección de rotación, puede escuchar un "clic" al arrancar. Esto es normal y no indica ningún problema.

CONTROL DEL PAR TORSOR

Esta herramienta viene con una rueda para seleccionar el modo de funcionamiento y fijar el par torsor para ajustar tornillos. Los tornillos grandes y piezas fabricadas con materiales duros requieren un mayor par torsor que los tornillos pequeños y piezas de materiales blandos.

- Para taladrar en madera, metal y plásticos, fije la rueda en la posición del taladro con el símbolo

- Para atornillar, fije la rueda en la posición deseada. Si no conoce la posición apropiada, haga lo siguiente:
- Fije la rueda en la posición de menor par torsor.
- Ajuste el primer tornillo.
- Si el portabrocas emite un ruido de chicharra y se tranca (ratchets) antes de lograr el resultado deseado, aumente el par torsor y siga ajustando el tornillo. Repita hasta que alcance la posición correcta. Use esta configuración para los demás tornillos.

Operación del portabrocas sin llave

Portabrocas con doble camisa – Para instalar los accesorios, sujete la mitad trasera del portabrocas con una mano y utilice la otra mano para girar la mitad frontal en sentido opuesto a las manecillas del reloj. Inserte la broca u otro accesorio completamente dentro del portabrocas, y apriete con firmeza sujetando la mitad trasera del portabrocas y girando la mitad frontal en el sentido de las manecillas del reloj, visto desde el extremo del portabrocas.

Taladrado

- Solamente utilice brocas afiladas.
- Apoye y asegure apropiadamente la pieza de trabajo, como se recomienda en las Instrucciones de seguridad.
- Utilice el equipo de seguridad apropiado y requerido, como se señala en las instrucciones de seguridad.
- Cuide el área de trabajo, como se menciona en las instrucciones de seguridad.
- Haga funcionar el taladro muy lentamente, utilizando poca presión, hasta haber perforado lo suficiente para evitar que la broca se deslice hacia afuera del barreno.
- Aplique presión en línea recto con la broca. Haga presión suficiente para conservar a la broca cortando, pero no tanta como para que el motor se atasque o la broca se desvíe.
- **Sujete firmemente el taladro para controlar su acción de torsión.**
- **NO OPRIMA EL GATILLO DE UN TALADRO ATASCADO PARA INTENTAR ENCENDERLO Y APAGARLO. PUEDE DAÑARLO.**
- Minimice el atascamiento al iniciar el barreno reduciendo la presión y perforando lentamente a través de la última parte del barreno.
- Conserve el motor en funcionamiento mientras saca la broca de un barreno. Esto ayudará a evitar atascaduras.
- Emplee un lubricante para corte cuando perfore metales. Las excepciones son el hierro colado y el latón, que deben taladrarse en seco. Los lubricantes que tienen mejor funcionamiento son el aceite sulfúrico para corte y la manteca de cerdo. La grasa de tocino funciona también.
- Cuando emplee brocas helicoidales para perforar en madera, será necesario sacarlas del barreno con frecuencia para limpiar las virutas de los canales.
- **Asegúrese que el interruptor enciende y apaga el taladro.**

⚠ **ADVERTENCIA:** Es importante apoyar la pieza de trabajo adecuadamente y sujetar al taladro con firmeza para evitar la pérdida de control que pudiese ocasionar lesiones personales. Si tiene preguntas sobre la operación correcta de la herramienta, llame: **(55)5326-7100**

TALADRADO EN MADERA

Se puede utilizar el mismo tipo de brocas helicoidales que se emplean para metal cuando haga barrenos en madera. Estas brocas deben estar afiladas y deben sacarse con frecuencia del barreno para quitar las virutas acumuladas en las estrías.

TALADRADO EN METAL

Utilice un lubricante para corte cuando perfore metales, excepto en los casos de hierro fundido o latón en los que se deberá taladrar en seco. Los lubricantes para corte que mejor funcionan son el aceite sulfúrico y la manteca de cerdo; la grasa de tocino también funciona para este propósito.

TALADRADO EN MAMPOSTERÍA

Utilice brocas para mampostería con punta de carburo. Consulte la sección Taladrado. Aplique fuerza uniforme al taladro, pero no tanta como para estrellar el material. El flujo uniforme de polvo indica la velocidad de perforación adecuada.

Detección de problemas

Problema	Causa posible	Solución posible
• La unidad no enciende.	• La batería no está bien instalada.	• Verifique la instalación de la batería.
	• La batería no carga.	• Verifique los requisitos de carga de la batería.
	• Botón de bloqueo accionado.	• Mueva el botón de bloqueo de la posición del centro.
• La batería no carga.	• La batería no está insertada en el cargador.	• Inserte la batería en el cargador hasta que se encienda la luz roja (LED).
	• El cargador no está enchufado.	• Enchufe el cargador en un tomacorriente que funcione. Para conocer más detalles, consulte "Notas importantes sobre la carga".

Para conocer la ubicación del centro de mantenimiento más cercano a fin de recibir ayuda con su producto, visite nuestro sitio Web www.black&decker.com o llame a la línea de ayuda BLACK & DECKER al **(55)5326-7100**.

MANTENIMIENTO

Utilice únicamente jabón suave y un trapo húmedo para limpiar la herramienta. No permita nunca que lleguen líquidos al interior de la herramienta, ni sumerja ninguna parte en ningún líquido.

IMPORTANTE: Para garantizar la SEGURIDAD y la CONFIABILIDAD del producto, las reparaciones, el mantenimiento y los ajustes deben ser realizados por centros de servicio autorizados u otras organizaciones de servicio calificadas, que siempre utilicen partes de repuesto idénticas.

El sello RBRC™

El sello RBRC™ (Rechargeable Battery Recycling Corporation o Corporación de Reciclaje de Baterías Recargables) en la batería (o unidad de alimentación) de níquel-cadmio indica que los costos de reciclaje de la batería (o unidad de alimentación), una vez que llegue al final de su vida útil, ya han sido pagados por Black & Decker. En algunas áreas es ilegal botar baterías de níquel-cadmio gastadas en la basura o corriente de residuos sólidos urbanos, y el programa RBRC ofrece una alternativa ecológica. RBRC, en colaboración con Black & Decker y otros usuarios de baterías, ha establecido programas en los EE.UU. y Canadá para facilitar la colección de baterías de níquel-cadmio gastadas.

Ayude a proteger nuestro medio ambiente y a conservar los recursos naturales devolviendo la batería de níquel-cadmio gastada a un centro de servicio Black & Decker autorizado o a su distribuidor local para que sea reciclada. También puede contactar a su centro local de reciclaje para mayor información sobre dónde ir a dejar la batería gastada, o llame al **(55)5326-7100**.

Accesorios

Los accesorios recomendados para emplearse con su herramienta se encuentran a su disposición con su distribuidor local o en los centros de servicio autorizado. Si necesita ayuda en relación con los accesorios, por favor llame: **(55) 5326-7100**

Los siguientes accesorios deben utilizarse únicamente en las medidas especificadas para mayor seguridad: BROCAS PARA METAL—Hasta 9,5 mm (3/8"); BROCAS PARA MAMPOSTERÍA—Hasta 9,5 mm (3/8"); BROCAS PARA MADERA—Hasta 12,7 mm (1/2").

⚠ **ADVERTENCIA:** El uso de cualquier accesorio no recomendado para emplearse con esta herramienta puede ser peligroso.

INFORMACIÓN DE SERVICIO

Black & Decker ofrece una amplia red de puntos de servicio propios y autorizados en toda Norteamérica. Todos los Centros de servicio Black & Decker cuentan con personal altamente capacitado dispuesto a brindar a todos los clientes un servicio eficiente y confiable en la reparación de herramientas eléctricas.

Si necesita consejo técnico, reparaciones o piezas de repuesto originales de fábrica, póngase en contacto con el centro de servicios de Black & Decker más cercano a su domicilio. Para ubicar a su servicio local, consulte "Herramientas eléctricas (Tools-Electric)" en la sección amarilla, o llame al: **(55)5326-7100**

GARANTÍA COMPLETA DE DOS AÑOS PARA USO EN EL HOGAR

Black & Decker (EE.UU.) Inc. ofrece una garantía de dos años por cualquier defecto del material o de fabricación de este producto. El producto defectuoso se reparará o reemplazará sin costo alguno de dos maneras.

La primera opción, el reemplazo, es devolver el producto al comercio donde se lo adquirió (siempre y cuando se trate de un comercio participante). Las devoluciones deben realizarse conforme a la política de devolución del comercio (generalmente, entre 30 y 90 días posteriores a la venta). Le pueden solicitar comprobante de compra. Consulte en el comercio acerca de la política especial sobre devoluciones una vez superado el plazo establecido.

La segunda opción es llevar o enviar el producto (con flete pago) a un Centro de servicio autorizado propio de Black & Decker para su reparación o reemplazo según nuestro criterio. Le pueden solicitar comprobante de compra. Encontrará una lista de los Centros de servicio autorizados y de propiedad de Black & Decker bajo "Herramientas eléctricas (Tools-Electric)" en las páginas amarillas de la guía telefónica.

Esta garantía no se extiende a los accesorios. Esta garantía le concede derechos legales específicos; pueden variar según el estado. Ante cualquier inquietud, comuníquese con el Centro de servicio de Black & Decker más cercano.

Este producto no es para uso comercial.

Reemplazo gratuito de la etiqueta de advertencias: Si sus etiquetas de advertencia se vuelven ilegibles o faltan, llame al **(55)5326-7100** para que se le reemplacen gratuitamente.

Para reparación y servicio de sus herramientas eléctricas, favor de dirigirse al Centro de Servicio más cercano:

CULIACAN, SIN

Av. Nicolás Bravo #1063 Sur
(667) 7 12 42 11
Col. Industrial Bravo

GUADALAJARA, JAL

Av. La Paz #1779
(33) 3825 6978
Col. Americana Sector Juárez

MEXICO, D.F.

Eje Central Lázaro Cardenas
No. 18
(55) 5588 9377
Local D, Col. Obrera

MERIDA, YUC

Calle 63 #459-A
(999) 928 5038
Col. Centro

MONTERREY, N.L.

Av. Francisco I. Madero
No.831
(81) 8375 2313
Col. Centro

PUEBLA, PUE

17 Norte #205
(222) 246 3714
Col. Centro

QUERETARO, QRO

Av. Madero 139 Pte.
(442) 214 1660
Col. Centro

SAN LUIS POTOSI, SLP

Av. Universidad 1525
(444) 814 2383
Col. San Luis

TORREON, COAH

Blvd. Independencia, 96 Pte.
(871) 716 5265
Col. Centro

VERACRUZ, VER

Prolongación Díaz Mirón #4280
(229)921 7016
Col. Remes

VILLAHERMOSA, TAB

Constitución 516-A
(993) 312 5111
Col. Centro

PARA OTRAS LOCALIDADES LLAME AL: (55) 5326 7100

Vea "Herramientas eléctricas (Tools-Electric)" – Páginas amarillas – para Servicio y ventas



BLACK & DECKER S.A. DE C.V.
BOSQUES DE CIDROS ACCESO RADIATAS NO. 42
COL. BOSQUES DE LAS LOMAS.
05120 MÉXICO, D.F.
TEL. 55-5326-7100

ESPECIFICACIONES

CD1200S

Cargador: 120 V AC ~ 60HZ 12W
Salida: 14,5V 200MA

CD1800SB

Cargador: 120V AC ~ 60HZ 9W
Salida: 21,75V DC 210MA

