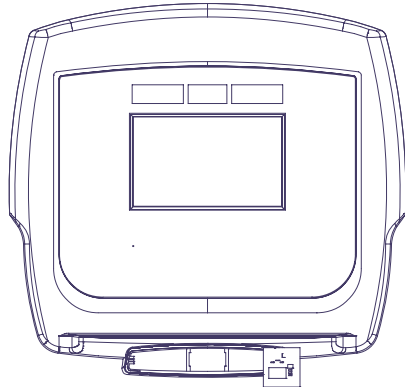
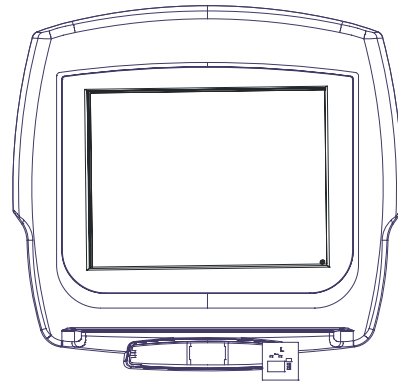


LifeFitness

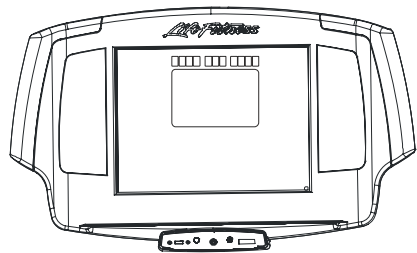
7-inch and 15-inch LCD Cardio Consoles



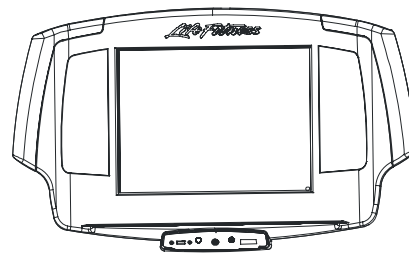
7-inch Self-powered Products



15-inch Self-powered Products



7-inch Treadmills



15-inch Treadmills

7-inch and 15-inch LCD Consoles

Table of Contents

S/N

7-inch and 15-inch LCD Consoles

Alpha Codes and Serial Number Ranges 3

Option Panel 4

7-inch Treadmill LCD Consoles

Front and Rear Plastics..... 5

Console Boards 6

7-inch Non-treadmill LCD Consoles

Front and Rear Plastics..... 7

Console Boards..... 8

15-inch Treadmill LCD Consoles

Front and Rear Plastics..... 9

Console Boards..... 10

15-inch Non-treadmill LCD Consoles

Front and Rear Plastics..... 11

Console Boards..... 12

7-inch and 15-inch LCD Consoles
 Alpha Codes and Serial Number Ranges

S/N

Alpha Codes*	SKU Numbers	Starting Serial Numbers	
		Sigmatron	PCI
DTX	07DT-DOMXX-01	100000	300000
ITX	07DT-INTXX-01	100000	300000
ANX	07DN-ALLXX-01	100000	300000
DTN	15DT-DOMXN-01	100000	300000
ITN	15DT-INTXN-01	100000	300000
ITP	15DT-INTXP-01	100000	300000
ANN	15DN-ALLXN-01	100000	300000
ANP	15DN-ALLXP-01	100000	300000

*Alpha code descriptions:

Position 1: D = domestic, I = international, A = all

Position 2: T = treadmill, N = non-treadmill

Position 3: X = 7-inch screen, N = 15-inch NTSC screen, P = 15-inch PAL screen

7-inch and 15-inch LCD Consoles

Option Panel

S/N

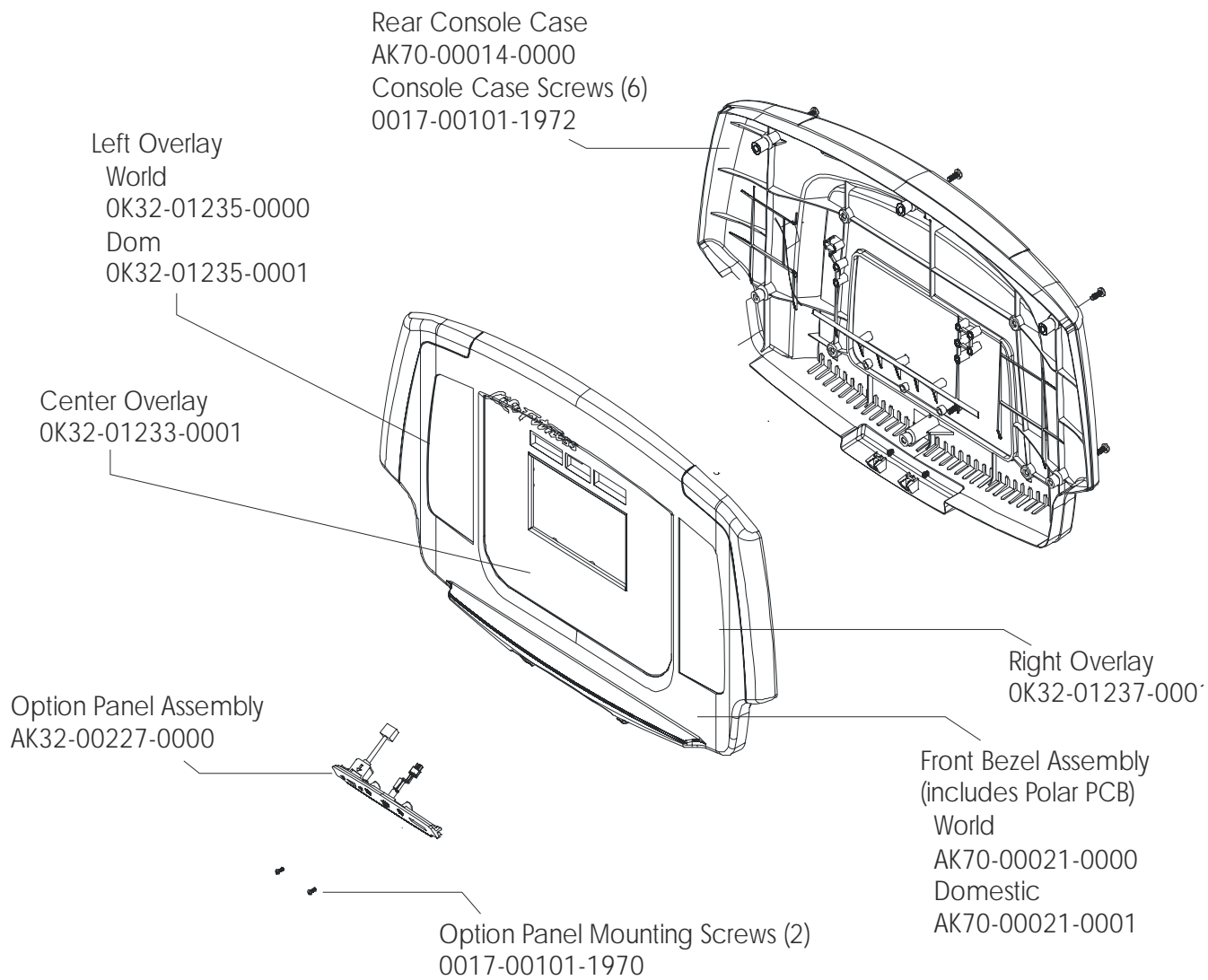
NOTE: Only the console or the option panel assembly should be replaced while the console assembly is under warranty.



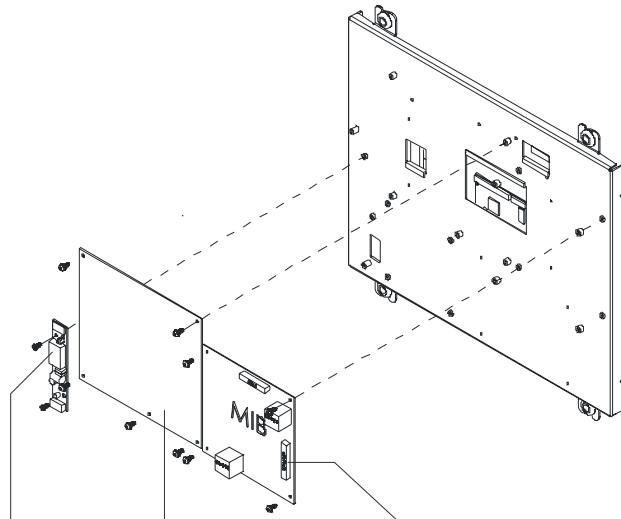
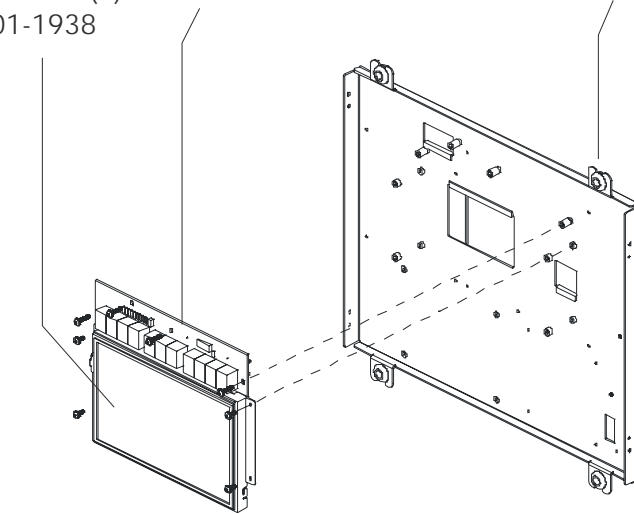
Description of item	LF Part No.	Quantity
Option Panel Assembly	AK32-00227-0000	1 per unit
Headphone Jack/Cable Assembly	AK32-00124-0000	1 per assembly
USB Cable Assembly	AK65-00040-0000	1 per assembly
USB Cable Mounting Screws	0017-00101-1937	2 per assembly

7-inch Treadmill LCD Consoles
Front and Rear Plastics

07DT-XXXXX-01
S/N



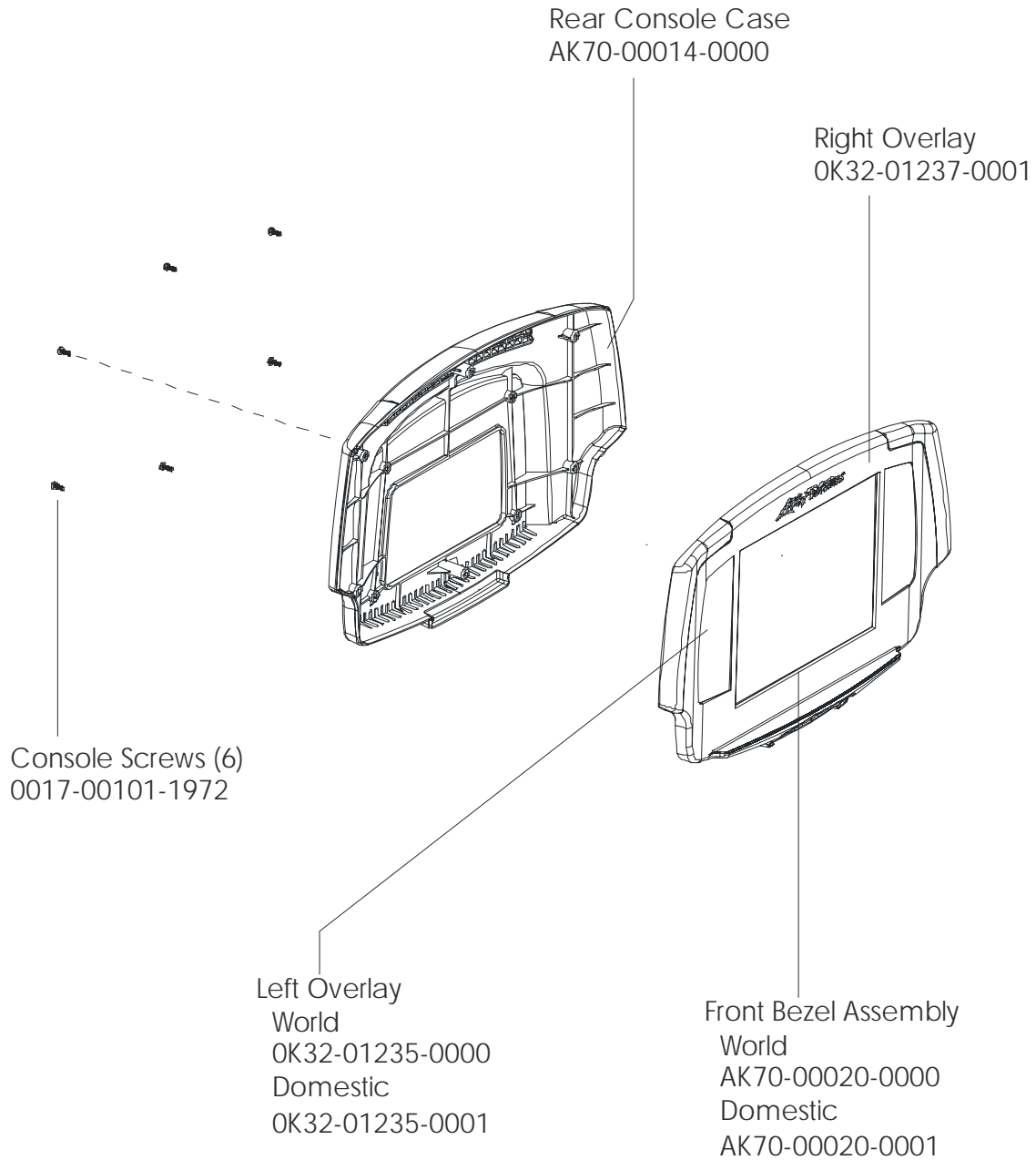
- 7-inch LCD Assembly
AK70-00036-0000
Mounting Screws (4)
0017-00101-1938
- 7-Segment Data Display Board
B084-92331-0000
Mounting Screws (4)
0017-00101-1936
- Isolation Grommets (4)
0017-00042-1160
Bracket Mounting Screws (4)
0017-00101-1940

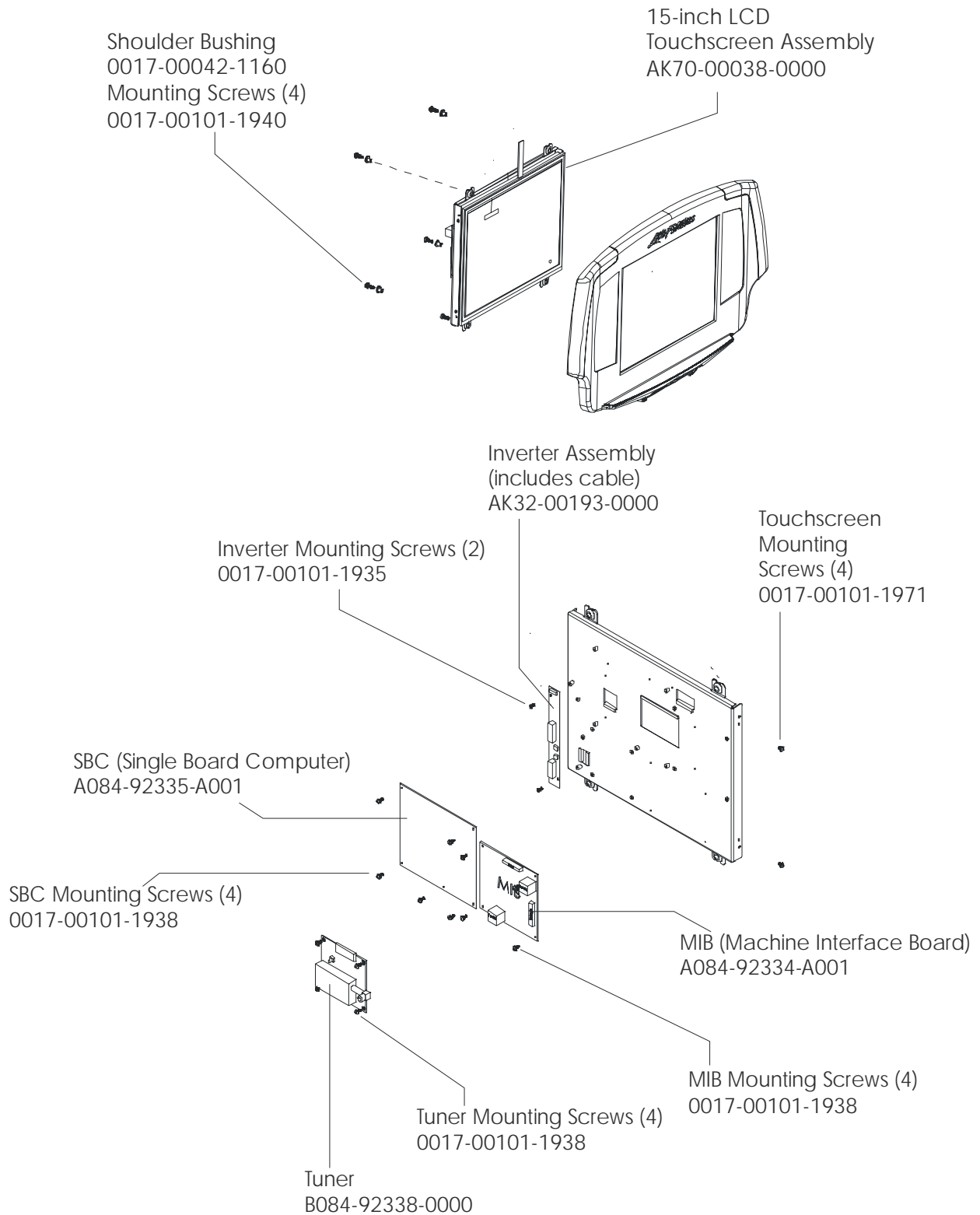


- SBC (Single Board Computer)
A084-92336-A001
Mounting Screws (4)
0017-00101-1938
- MIB (Machine Interface Board)
A084-92334-A001
Mounting Screws (4)
0017-00101-1938
- Inverter w/Cable Assembly
AK32-00193-0000
Mounting Screws (2)
0017-00101-1935

7-inch Non-treadmill LCD Consoles
Front and Rear Plastics

07XX-XXXXX-01
S/N





15-inch Non-treadmill LCD Consoles
Front and Rear Plastics

15XX-XXXXX-01
S/N
