

# YARD-MAN<sup>®</sup>

by MTD

## Operator's Manual

English

### YM290 2-Cycle Gas Blower



**MTD**<sup>®</sup>  
For A Growing World.™

**IMPORTANT:** Read safety rules and instructions carefully before operating equipment.

# INTRODUCTION

## THANK YOU

Thank you for buying this quality product. This modern outdoor power tool will provide many hours of useful service. You will find it to be a great labor-saving device. This operator's manual provides you with easy-to-understand operating instructions. Read the whole manual and follow all the instructions to keep your new outdoor power tool in top operating condition.

## PRODUCT REFERENCES, ILLUSTRATIONS AND SPECIFICATIONS

All information, illustrations, and specifications in this manual are based on the latest product information available at the time of printing. We reserve the right to make changes at any time without notice.

Copyright© 2004 MTD SOUTHWEST INC, All Rights Reserved.

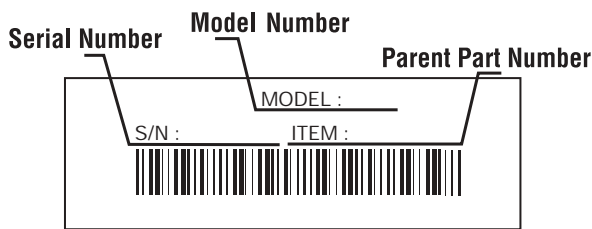
## SERVICE INFORMATION

Service on this unit both within and after the warranty period should be performed only by an authorized and approved service dealer.

For service call **1-800-345-8746** in the United States, or **1-800-668-1238** in Canada to obtain a list of authorized service dealers near you. For more details about your unit, visit our website at [www.Yardman.com](http://www.Yardman.com).

## DO NOT RETURN THE UNIT TO THE RETAILER. PROOF OF PURCHASE WILL BE REQUIRED FOR WARRANTY SERVICE.

Before beginning, locate the unit's model plate. It lists the model and serial numbers of your unit. Refer to the sample plate below and copy the information for future reference.



Copy the model and parent part number here: \_\_\_\_\_

Copy the serial number here: \_\_\_\_\_

*Make sure you carefully read and understand this manual before starting or operating this equipment.*

THIS PRODUCT IS COVERED BY ONE OR MORE U.S. PATENTS. OTHER PATENTS PENDING.


## TABLE OF CONTENTS

Service Information	2
Rules for Safe Operation	3
Know Your Unit	6
Assembly Instructions	7
Oil and Fuel Information	8
Starting/Stopping Instructions	9
Operating Instructions	10
Maintenance and Repair Instructions	11
Cleaning and Storage	13
Accessories and Replacement Parts	13
Troubleshooting Chart	14
Specifications	15
Warranty Information	18
Parts List	Inside Back Cover


## SPARK ARRESTOR NOTE

**NOTE: For users on U.S. Forest Land and in the states of California, Maine, Oregon and Washington.** All U.S. Forest Land and the state of California (Public Resources Codes 4442 and 4443), Oregon and Washington require, by law that certain internal combustion engines operated on forest brush and/or grass-covered areas be equipped with a spark arrestor, maintained in effective working order, or the engine be constructed, equipped and maintained for the prevention of fire. Check with your state or local authorities for regulations pertaining to these requirements. Failure to follow these requirements could subject you to liability or a fine. **This unit is factory equipped with a spark arrestor.** If it requires replacement, ask your LOCAL SERVICE DEALER to install the Spark Arrestor Kit.

## CALIFORNIA PROPOSITION 65 WARNING



# WARNING



**THE ENGINE EXHAUST FROM THIS PRODUCT CONTAINS CHEMICALS KNOWN TO THE STATE OF CALIFORNIA TO CAUSE CANCER, BIRTH DEFECTS OR OTHER REPRODUCTIVE HARM.**

# RULES FOR SAFE OPERATION

The purpose of safety symbols is to attract your attention to possible dangers. The safety symbols, and their explanations, deserve your careful attention and understanding. The safety warnings do not by themselves eliminate any danger. The instructions or warnings they give are not substitutes for proper accident prevention measures.

SYMBOL	MEANING
--------	---------



**SAFETY ALERT:** Indicates danger, warning or caution. Attention is required in order to avoid serious personal injury. May be used in conjunction with other symbols or pictographs.

**NOTE:** Advises you of information or instructions vital to the operation or maintenance of the equipment.

**Read the Operator's Manual(s) and follow all warnings and safety instructions.**

**Failure to do so can result in serious injury to the operator and/or bystanders.**

**FOR QUESTIONS, CALL 1-800-345-8746 in the United States, or 1-800-668-1238 in Canada**

SYMBOL	MEANING
--------	---------



**DANGER:** Failure to obey a safety warning will result in serious injury to yourself or to others. Always follow the safety precautions to reduce the risk of fire, electric shock and personal injury.



**WARNING:** Failure to obey a safety warning can result in injury to yourself and others. Always follow the safety precautions to reduce the risk of fire, electric shock and personal injury.



**CAUTION:** Failure to obey a safety warning may result in property damage or personal injury to yourself or to others. Always follow the safety precautions to reduce the risk of fire, electric shock and personal injury.

## • IMPORTANT SAFETY INSTRUCTIONS •

### READ ALL INSTRUCTIONS BEFORE OPERATING



**WARNING:** When using the unit, you must follow the safety rules. Please read these instructions before operating the unit in order to ensure the safety of the operator and any bystanders. Please keep these instructions for later use.

- Read the instructions carefully. Be familiar with the controls and proper use of the unit.
- Do not operate this unit when tired, ill, or under the influence of alcohol, drugs, or medication.
- Children and teens under the age of 15 must not use the unit, except for teens guided by an adult.
- All guards and safety attachments must be installed properly before operating the unit.
- Inspect the unit before use. Replace damaged parts. Check for fuel leaks. Make sure all fasteners are in place and secure. Replace parts that are cracked, chipped, or damaged in any way. Do not operate the unit with loose or damaged parts.
- Carefully inspect the area before starting the unit. Remove all debris and hard or sharp objects such as glass, wire, etc.

- Clear the area of children, bystanders, and pets. At a minimum, keep all children, bystanders, and pets outside a 50 feet (15 m.) radius; there still may be a risk to bystanders from thrown objects. Bystanders should be encouraged to wear eye protection. If you are approached, stop the unit immediately.

### SAFETY WARNINGS FOR GAS UNITS



**WARNING:** Gasoline is highly flammable, and its vapors can explode if ignited. Take the following precautions:

- Store fuel only in containers specifically designed and approved for the storage of such materials.
- Avoid creating a source of ignition for spilled fuel. Do not start the engine until fuel vapors dissipate.
- Always stop the engine and allow it to cool before filling the fuel tank. Never remove the cap of the fuel tank, or add fuel, when the engine is hot. Never operate the unit without the fuel cap securely in place. Loosen the fuel tank cap slowly to relieve any pressure in the tank.
- Mix and add fuel in a clean, well-ventilated outdoor area where there are no sparks or flames. Slowly remove the fuel cap only after stopping engine. Do not smoke while fueling or mixing fuel. Wipe up any spilled fuel from the unit immediately. Always wipe unit dry before using.
- Move the unit at least 30 feet (9.1 m) from the fueling source and site before starting the engine. Do not smoke or allow sparks and open flames near the area while adding fuel or operating the unit.

# RULES FOR SAFE OPERATION

## WHILE OPERATING

- Never start or run the unit inside a closed room or building. Breathing exhaust fumes can kill. Operate this unit only in a well-ventilated outdoor area.
- To reduce the risk of injury associated with thrown objects, wear safety glasses or goggles that are marked as meeting ANSI Z87. standards.
- Never run the unit without the the proper equipment attached. When using this unit, always install the blower tubes.
- To reduce the risk of hearing loss associated with sound level(s), always wear ear/hearing protection when operating this unit.
- Wear heavy, long pants, boots, and gloves. Do not wear short pants, sandals, or go barefoot.
- To avoid static electricity shock, do not wear rubber gloves or any other insulated gloves while operating this unit.
- To reduce the risk of injury associated with objects being drawn into rotating parts, do not wear loose clothing, jewelry, scarves, and the like. Secure hair above shoulder level.
- Wear a face or dust mask if the operation is dusty. Long sleeve shirts are recommended.
- Use the unit only in daylight or good artificial light.
- Keep outside surfaces free from oil and fuel.
- Avoid accidental starting. Be in the starting position whenever pulling the starter rope. The operator and unit must be in a stable position while starting. Refer to *Starting/Stopping Instructions*.
- Do not set unit on any surface except a clean, hard area while engine is running. Debris such as gravel, sand, dust, grass, etc. could be picked up by the air intake and thrown out by the discharge opening, damaging unit, property, or causing serious injury to bystanders or operator.
- Use the right tool. Only use this tool for the purpose intended.
- Do not force unit. It will do the job better and with less likelihood of injury at a rate for which it was designed.
- Do not overreach or use from unstable surfaces such as ladders, trees, steep slopes, rooftops, etc. Always keep proper footing and balance.
- Always hold the unit with a firm grip when operating.
- Keep hands, face, and feet at a distance from all moving parts. Do not touch or try to stop the impeller when it is rotating. Do not operate without guards in place.
- Do not put any object into openings. Do not use with any opening blocked; keep free of dirt, debris, and anything that may reduce the air flow.
- Do not touch the engine or muffler. These parts get extremely hot from operation. When turned off they remain hot for a short time.
- Do not operate the engine faster than the speed needed to do the job. Do not run the engine at high speed when not in use.
- Always stop the engine when operation is delayed or when walking from one location to another.
- Stop the engine for maintenance, repair, to install or remove the blower tubes. The unit must be stopped and the impeller no longer turning to avoid contact with the rotating blades.
- Use only original equipment manufacturer replacement parts when servicing this unit. These parts are available from your authorized service dealer. Do not use unauthorized parts, accessories, or attachments for this unit. Doing so could lead to serious injury to the user, or damage to the unit, and void your warranty.
- Never use this unit for spreading chemicals, fertilizers or other substances which may contain toxic materials.
- To reduce fire hazard, replace faulty muffler and spark arrestor, keep the engine and muffler free from grass, leaves, excessive grease or carbon build up.
- Never point the blower in the direction of people or pets, or in the direction of windows. Always direct the blowing debris away from people, animals, and windows. Use extra caution when blowing debris near solid objects such as trees, automobiles, walls, etc.

## OTHER SAFETY WARNINGS

- Always disconnect the spark plug before performing maintenance or accessing movable parts.
- Never store the unit, with fuel in the tank, inside a building where fumes may reach an open flame (pilot lights, etc.) or sparks (switches, electrical motors, etc.).
- Allow the engine to cool before storing or transporting. Be sure to secure the unit while transporting.
- Store the unit in a dry place, either locked up or up high to prevent unauthorized use or damage. Keep out of the reach of children.
- Never douse or squirt the unit with water or any other liquid. Keep handles dry, clean, and free from debris. Clean after each use, see *Cleaning and Storage* instructions.
- Keep these instructions. Refer to them often and use them to instruct other users. If you loan this unit to others, also loan these instructions to them.

**SPECIAL NOTE:** Exposure to vibrations through prolonged use of gasoline powered hand tools could cause blood vessel or nerve damage in the fingers, hands, and joints of people prone to circulation disorders or abnormal swelling. Prolonged use in cold weather has been linked to blood vessel damage in otherwise healthy people. If symptoms occur such as numbness, pain, loss of strength, change in skin color or texture, or loss of feeling in the fingers, hands or joints, discontinue use of this tool and seek medical attention. An anti-vibration system does not guarantee avoidance of these problems. Users who operate power tools on a regular basis must closely monitor their physical condition and the condition of this tool.

## SAVE THESE INSTRUCTIONS

# RULES FOR SAFE OPERATION

## SAFETY AND INTERNATIONAL SYMBOLS

This operator's manual describes safety and international symbols and pictographs that may appear on this product. Read the operator's manual for complete safety, assembly, operating and maintenance and repair information.

### SYMBOL

### MEANING



#### • SAFETY ALERT SYMBOL

Indicates danger, warning, or caution. May be used in conjunction with other symbols or pictographs.



#### • WARNING - READ OPERATOR'S MANUAL

Read the Operator's Manual(s) and follow all warnings and safety instructions. Failure to do so can result in serious injury to the operator and/or bystanders.



#### • WEAR EYE AND HEARING PROTECTION

**WARNING:** Thrown objects and loud noise can cause severe eye injury and hearing loss. Wear eye protection meeting ANSI Z87.1-1989 standards and ear protection when operating this unit. Use a full face shield when needed.



#### • KEEP BYSTANDERS AWAY

**WARNING:** Keep all bystanders, especially children and pets, at least 50 feet (15 m.) from the operating area.



#### • UNLEADED FUEL

Always use clean, fresh unleaded fuel.



#### • OIL

Refer to operator's manual for the proper type of oil.



#### • THROWN OBJECTS AND ROTATING CUTTER CAN CAUSE SEVERE INJURY

**WARNING:** Keep clear of blower outlet. Never point the blower at yourself or others. Objects can be thrown from blower. Do not operate unit without proper attachments and guards in place.

### SYMBOL

### MEANING



#### • ON/OFF STOP CONTROL

ON / START / RUN



#### • ON/OFF STOP CONTROL

OFF or STOP



#### • HOT SURFACE WARNING

Do not touch a hot muffler or cylinder. You may get burned. These parts get extremely hot from operation. When turned off they remain hot for a short time.



#### • PRIMER BULB

Press the primer bulb, fully and slowly, 10 times.



#### • BLOWERS - ROTATING IMPELLER BLADES CAN CAUSE SEVERE INJURY

**WARNING:** Stop the engine and allow the impeller to stop before opening the door, installing or changing tubes, or before cleaning or performing any maintenance.



#### • THROTTLE CONTROL

Indicates "HIGH" or "FASTEST" speed.



#### • THROTTLE CONTROL

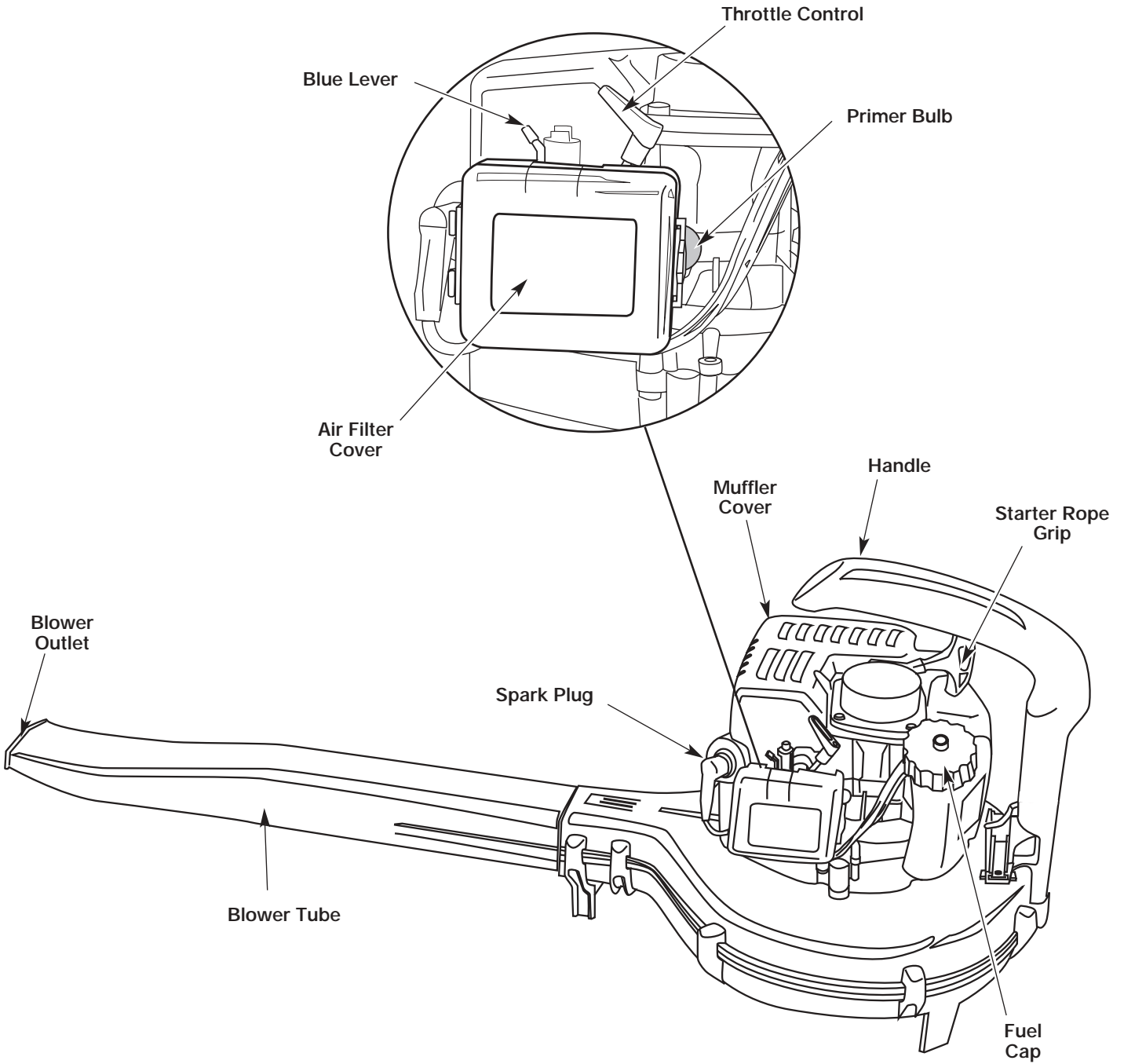
Indicates "IDLE," "LOW" or "SLOWEST" speed.

# RULES FOR SAFE OPERATION

## KNOW YOUR UNIT

### APPLICATION

- Cleaning yards, garages, driveways, porches, patios, around walls, fences and more



# ASSEMBLY INSTRUCTIONS

## INSTALL AND REMOVE THE BLOWER TUBE



**WARNING:** To prevent serious personal injury, stop the engine and allow the impeller to stop before attaching or removing tubes.



**WARNING:** To prevent serious personal injury or damage to the unit, the blower tube must be installed while operating this unit.

### Install

To install the blower tube, simply push it into the blower housing. Push it in until the tabs on the top and bottom of the housing slide into the blower tube detents (Fig. 1).

### Remove

To remove the blower tube, use a flat blade screwdriver to lift the tabs and pull the tube out of the blower housing (Fig. 1).

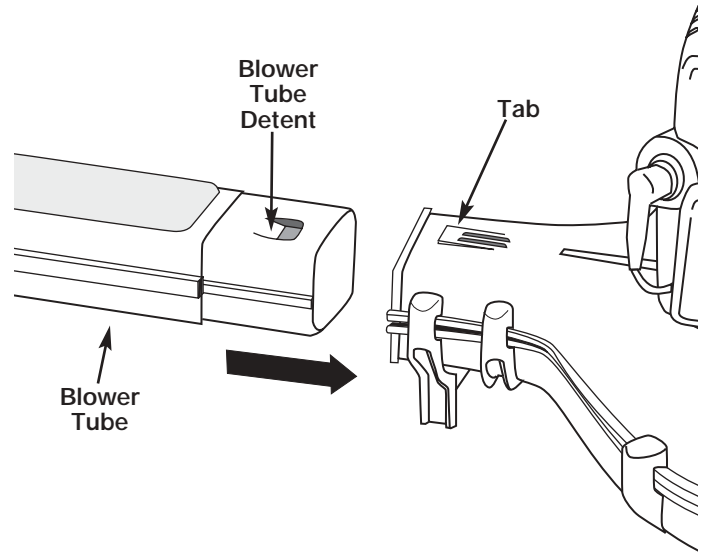


Fig. 1

# OIL AND FUEL INFORMATION

## OIL AND FUEL MIXING INSTRUCTIONS

Old and/or improperly mixed fuel are the main reasons for the unit not running properly. Be sure to use fresh, clean unleaded fuel. Follow the instructions carefully for the proper fuel/oil mixture.

### Definition of Blended Fuels

Today's fuels are often a blend of gasoline and oxygenates such as ethanol, methanol, or MTBE (ether). Alcohol-blended fuel absorbs water. As little as 1% water in the fuel can make fuel and oil separate. It forms acids when stored. When using alcohol-blended fuel, use fresh fuel (less than 60 days old).

### Using Blended Fuels


If you choose to use a blended fuel, or its use is unavoidable, follow recommended precautions:

- Always use the fresh fuel mix explained in your operator's manual
- Always agitate the fuel mix before fueling the unit
- Drain the tank and run the engine dry before storing the unit

### Using Fuel Additives



The bottle of 2-cycle oil that came with your unit contains a fuel additive which will help inhibit corrosion and minimize the formation of gum deposits. It is recommended that you use our 2-cycle oil with this unit.

If unavailable, use a good 2-cycle oil designed for air-cooled engines along with a fuel additive, such as STA-BIL® Gas Stabilizer or an equivalent. Add 0.8 oz. (23 ml.) of fuel additive per gallon of fuel according to the instructions on the container. NEVER add fuel additives directly to the unit's fuel tank.


	<b>CAUTION:</b> For proper engine operation and maximum reliability, pay strict attention to the oil and fuel mixing instructions on the 2-cycle oil container. Using improperly mixed fuel can severely damage the engine.
---	---

Thoroughly mix the proper ratio of 2-cycle engine oil with unleaded gasoline in a separate fuel can. Use a 40:1 fuel/oil ratio. Do not mix them directly in the engine fuel tank. See the table below for specific gas and oil mixing ratios.


**NOTE:** One gallon (3.8 liters) of unleaded gasoline mixed with one 3.2 oz. (95 ml.) bottle of 2-cycle oil makes a 40:1 fuel/oil ratio.

	+	
<b>UNLEADED GAS</b>		<b>2 CYCLE OIL</b>
<b>1 GALLON US (3.8 LITERS)</b>		<b>3.2 FL. OZ. (95 ml)</b>
<b>1 LITER</b>		<b>25 ml</b>

MIXING RATIO - 40:1

	<b>WARNING:</b> Gasoline is extremely flammable. Ignited Vapors may explode. Always stop the engine and allow it to cool before filling the fuel tank. Do not smoke while filling the tank. Keep sparks and open flames at a distance from the area.
--	--

	<b>WARNING:</b> Remove fuel cap slowly to avoid injury from fuel spray. Never operate the unit without the fuel cap securely in place.
---	--

	<b>WARNING:</b> Add fuel in a clean, well ventilated outdoor area. Wipe up any spilled fuel immediately. Avoid creating a source of ignition for spilt fuel. Do not start the engine until fuel vapors dissipate.
---	---

**NOTE:** Dispose of the old fuel/oil mix in accordance to Federal, State and Local regulations.



# STARTING/STOPPING INSTRUCTIONS



**WARNING:** Operate this unit only in a well-ventilated outdoor area. Carbon monoxide exhaust fumes can be lethal in a confined area.



**WARNING:** Avoid accidental starting. Make sure you are in the starting position when pulling the starter rope (Fig. 4). To avoid serious injury, the operator and unit must be in a stable position while starting.

Do not set unit on any surface except a clean, hard area while starting. Debris such as gravel, sand, dust and grass could be picked up by the air intake and thrown out by the discharge opening. This could damage the unit, property, or cause serious injury to bystanders or the operator.

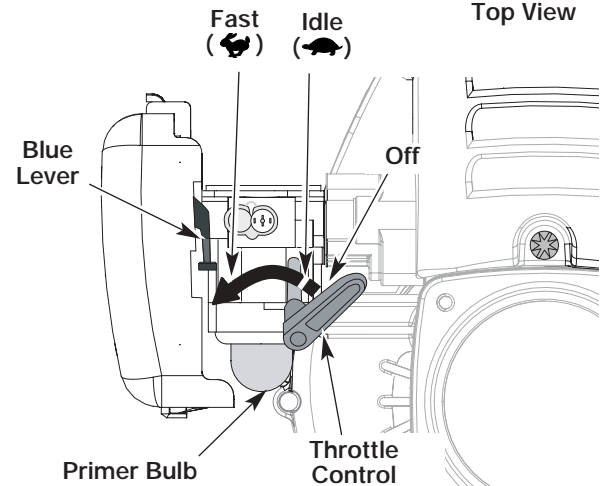


Fig. 2

## STARTING INSTRUCTIONS

1. Mix gas with oil. Fill fuel tank with fuel/oil mixture. See *Oil and Fuel Mixing Instructions*.
2. Fully press and release the primer bulb 10 times, slowly. Some amount of **fuel should be visible in the primer bulb** (Fig. 2) and fuel lines. If you can't see fuel in the bulb, press and release the bulb as many times as it takes before you can see fuel in it.
3. Place the blue lever in Position 1- Start (Fig. 3).
4. Place the unit in the starting position (Fig. 4). Move the throttle control to the fast position (↶) (Fig. 2).
5. Pull the starter rope briskly 3 times.
6. Place the blue lever in Position 2- Run.
7. Pull the starter rope briskly 1 to 6 times to start the engine.
8. Allow the engine to warm up for 15 to 30 seconds. The unit is ready for use.

**IF...** The engine does not start, go back to step 2.

**IF...** The engine fails to start after a couple attempts, place the blue lever in Position 2 and move the throttle control to the fast position (↶). Pull the starter rope briskly 3 to 8 times. The engine should start. If not, repeat.

**IF WARM...** If the engine is already warm, start the unit with the blue lever in Position 2.

## STOPPING INSTRUCTIONS

1. To turn off the blower, move the throttle control lever all the way to the right, past the idle position (↷) until it clicks. Make sure you move the lever into the furthest right detent in order to turn the unit off (Fig. 2).

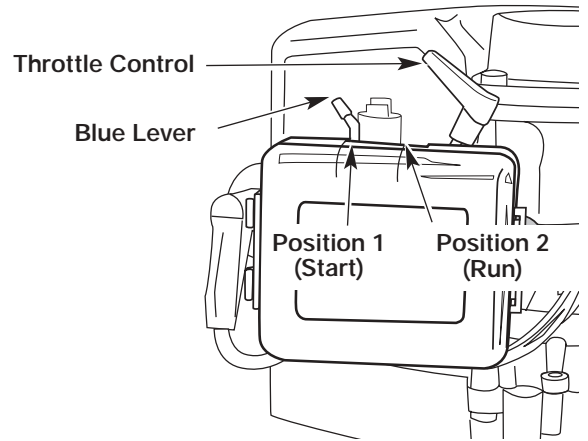


Fig. 3

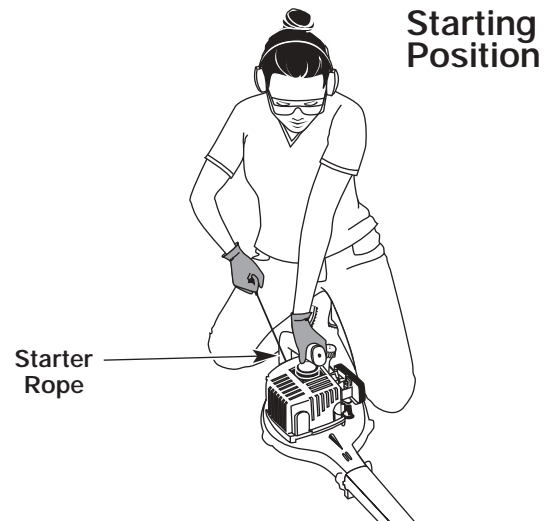


Fig. 4

# OPERATING INSTRUCTIONS

## HOLDING THE BLOWER

Before operating the unit, stand in the operating position. Check for the following:

- Operator is wearing proper clothing, such as boots, safety glasses or goggles, ear/hearing protection, gloves, long pants and long sleeve shirt



**WARNING:** To avoid serious personal injury, wear goggles or safety glasses at all times when operating this unit. Wear a face mask or dust mask in dusty locations.

- If the conditions are dusty, the operator is wearing a dust mask or face mask
- The unit is in good working condition
- The tubes and guards are in place and secure



**WARNING:** To prevent serious personal injury or damage to the unit, make sure blower tubes are in place before you operate the unit.

## OPERATING TIPS

- Assure the unit is not directed at anybody or any loose debris before starting the unit.
- Verify that the unit is in good working condition. Make sure the tubes and guards are in place and secure.
- Always hold the unit securely when operating. Keep a firm grip on the handle.
- To reduce the risk of hearing loss associated with sound level(s), hearing protection is required.
- Operate power equipment only at reasonable hours—not early in the morning or late at night when people might be disturbed. Comply with times listed in local ordinances. Usual recommendations are 9:00 am to 5:00 pm, Monday through Saturday.
- To reduce noise levels, limit the number of pieces of equipment used at any one time.
- To reduce noise levels, operate power blowers at the lowest possible speed to do the job.
- Check your equipment before operation, especially the muffler, air intakes and air filters.
- Use rakes and brooms to loosen debris before blowing.
- In dusty conditions, slightly dampen surfaces or use a mister attachment when water is available.
- Conserve water by using power blowers instead of hoses for many lawn and garden applications, including areas such as screens, patios, grills, porches, and gardens.

- Watch out for children, pets, open windows or freshly washed cars, and blow debris safely away.
- Use the full blower nozzle extension so the air stream can work close to the ground.
- Clean up after using blowers and other equipment. Dispose of debris appropriately.

## OPERATING AS A BLOWER

1. Use the blower for trees, shrubs, flower beds and hard-to-clean areas (Fig. 5).
2. Use the unit around buildings and for other normal cleaning procedures (Fig. 6).
3. Use the blower around walls, overhangs, fences and screens.



Fig. 5

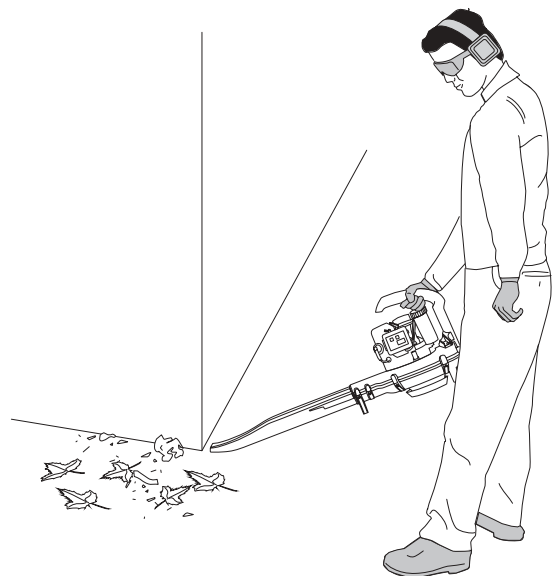


Fig. 6

# MAINTENANCE AND REPAIR INSTRUCTIONS

## MAINTENANCE SCHEDULE

Perform these required maintenance procedures at the frequency stated in the table. These procedures should also be a part of any seasonal tune-up.

**NOTE:** Some maintenance procedures may require special tools or skills. If you are unsure about these procedures take your unit to any non-road engine repair establishment, individual or authorized service dealer.



**WARNING:** To prevent serious injury, never perform maintenance or repairs with unit running. Always service and repair a cool unit. Disconnect the spark plug wire to ensure that the unit cannot start.

**NOTE:** Maintenance, replacement, or repair of the emission control devices and system may be performed by any non-road engine repair establishment, individual or authorized service dealer.

In order to assure peak performance of your engine, inspection of the engine exhaust port may be necessary after 50 hours of operation. If you notice lost RPM, poor performance or general lack of acceleration, this service may be required. If you feel your engine is in need of this inspection, refer service to any non-road engine repair establishment, individual or authorized service dealer for repair. **DO NOT** attempt to perform this process yourself as engine damage may result from contaminants involved in the cleaning process for the port.

FREQUENCY	MAINTENANCE REQUIRED	REFER TO
Before starting engine	Fill fuel tank with fresh fuel	Page 8
Every 10 hours	Clean and re-oil air filter	Page 11
Every 25 hours	Check and clean spark arrestor Check spark plug condition and gap	Page 12 Page 13
Every 50 hours	Inspect exhaust port and spark arrestor screen for clogging or obstruction to assure maximum performance levels	Page 12

## AIR FILTER MAINTENANCE



**WARNING:** To avoid serious personal injury, always turn your unit off and allow it to cool before you clean or service it.

Clean and re-oil the air filter every 10 hours of operation. It is an important item to maintain. Failure to maintain the air filter will **VOID** the warranty.

1. Remove the carburetor/air filter cover by pushing on the tab, located to the right of the cover (Fig. 7).
2. Swing the air filter cover open. It will swing on the hinges to the left of the cover (Fig. 8).

3. Remove the air filter (Fig. 8).
4. Wash the filter in detergent and water. Rinse the filter thoroughly and allow it to dry (Fig. 9).
5. Apply enough clean SAE 30 motor oil to lightly coat the filter (Fig. 10).
6. Squeeze the filter to spread and remove excess oil (Fig. 11).
7. Reinstall the filter and close the air filter cover (Fig. 7).

**NOTE:** If the unit is operated without the air filter, you will **VOID** the warranty.

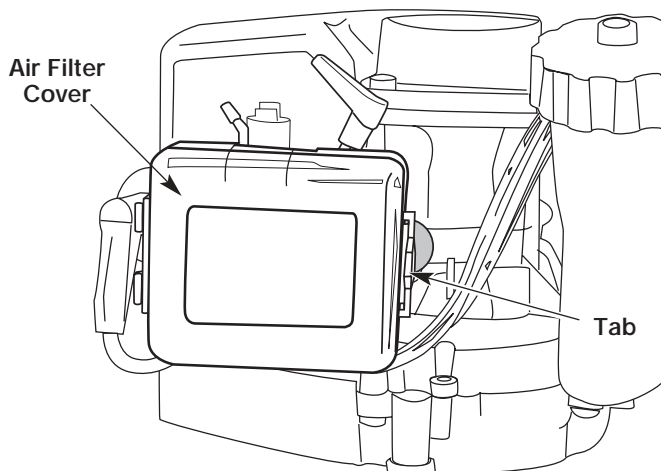


Fig. 7

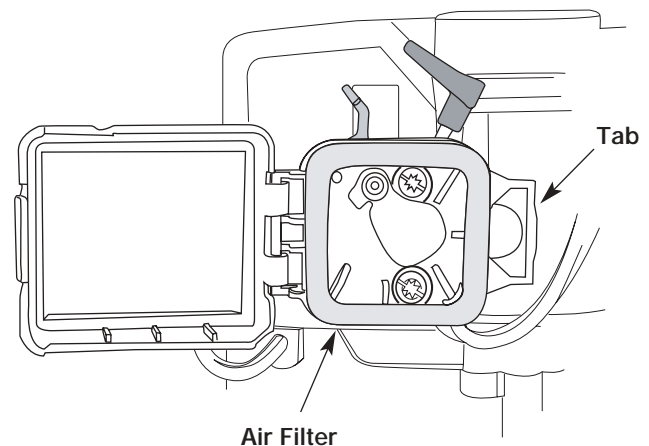


Fig. 8

# MAINTENANCE AND REPAIR INSTRUCTIONS

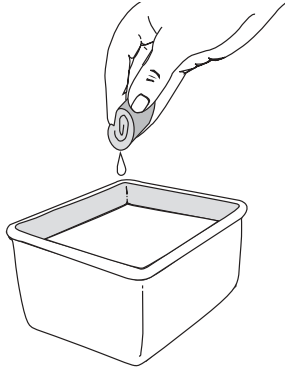


Fig. 9

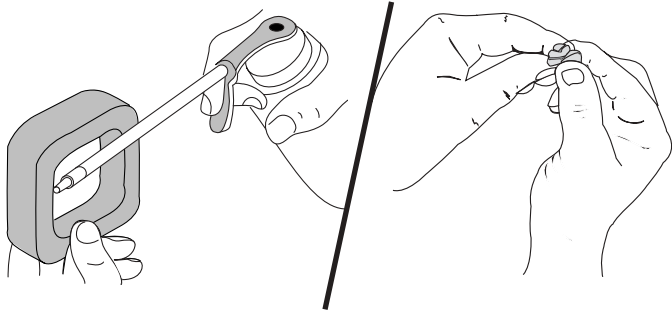


Fig. 10

Fig. 11

## SPARK ARRESTOR MAINTENANCE



**WARNING:** To avoid serious personal injury, always turn your unit off and allow it to cool before you clean or service it.

1. The spark arrester is located in the muffler, under the engine cover. When facing the unit from the front, the muffler and spark arrester are positioned on the left hand side (Fig. 12).
2. To access the muffler and spark arrester, you must remove the engine cover. Using a T-25 torx or flathead screwdriver, remove the five engine screws pictured in Figure 13.

**NOTE:** You will have to remove the spark plug to access one of the engine cover screws (Screw 5) (Fig. 13).

3. Once the engine cover is removed, the muffler heat shield is visible. Remove the three screws from the shield with a Phillips screwdriver. Then remove and store the heat shield to reveal the muffler.
4. Remove the remaining three screws that secure the muffler deflector plate to the muffler. Also remove the two bolts. Use a Phillips screwdriver for the screws and a T-25 torx screwdriver for the muffler bolts (Fig. 14).
5. Remove the spark arrester and clean it with a wire brush. Replace it if it is damaged or if you are unable to clean it thoroughly.
6. Reinstall spark arrester and reattach the muffler deflector plate with the bolts and screws.

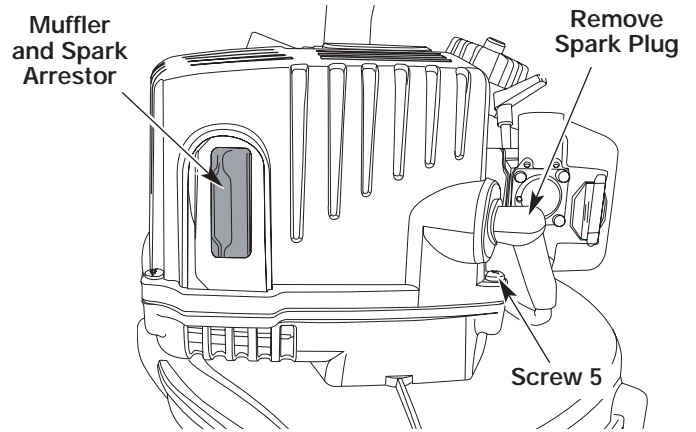


Fig. 12

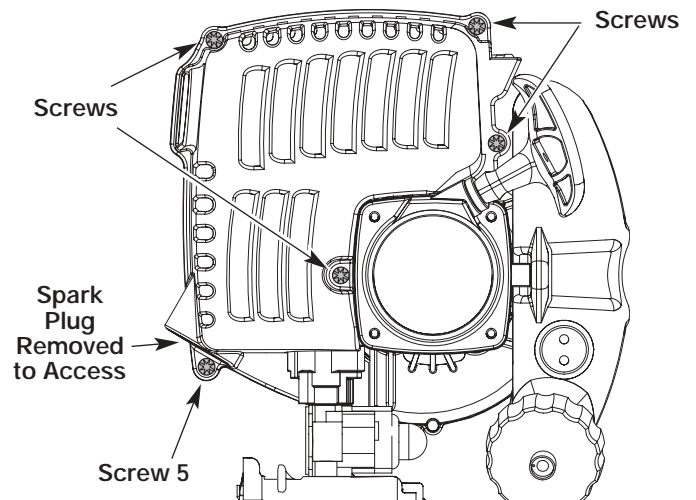


Fig. 13

7. Reinstall the heat shield using the three screws.
8. Put the engine cover back on the unit and reinsert the five screws.
9. Reconnect the spark plug.

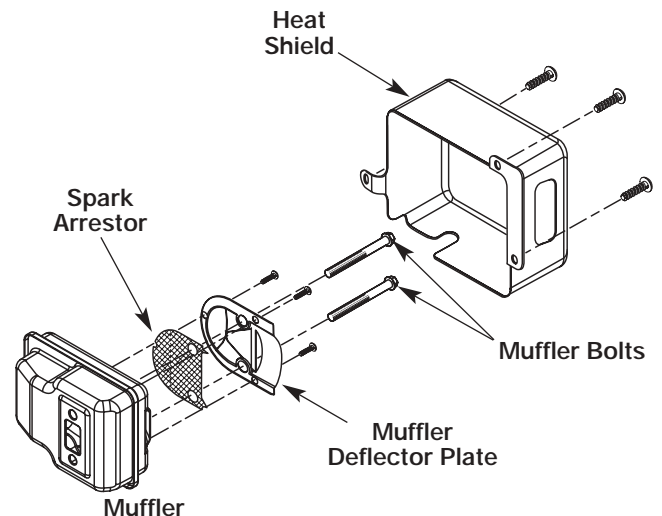


Fig. 14

# MAINTENANCE AND REPAIR INSTRUCTIONS

## REPLACING THE SPARK PLUG

Use a Champion RDJ7Y spark plug, or equivalent. The correct air gap is **0.020 inch (0.5 mm)**. Remove the plug after every 25 hours of operation and check its condition.

1. Stop the engine and allow it to cool. Grasp the plug wire firmly and pull it from the spark plug.
2. Clean around the spark plug. Remove the spark plug from the cylinder head by turning a 5/8-inch socket counterclockwise.
3. Replace a cracked, fouled or dirty spark plug. Set the air gap at **0.020 in. (0.5 mm)** using a feeler gauge (Fig. 15).



**WARNING:** Do not sand blast, scrape or clean electrodes. Grit in the engine could damage the cylinder.

4. Install a correctly-gapped spark plug in the cylinder head. Tighten by turning the 5/8-inch socket clockwise until snug.

If using a torque wrench torque to:

**110-120 in.·lb. (12.3-13.5 N·m)**

**Do not over tighten.**

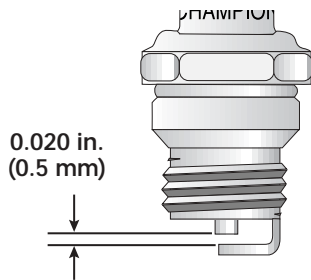



Fig. 15

## CLEANING THE UNIT



**WARNING:** To avoid serious personal injury, always turn your unit off and allow it to cool before you clean or service it.

Use a small brush to clean off the outside of the unit. Do not use strong detergents. Household cleaners that contain aromatic oils such as pine and lemon, and solvents such as kerosene, can damage plastic housing or handle. Wipe off any moisture with a soft cloth.

## STORAGE

- Never store a fueled unit where fumes may reach an open flame or spark.
- Allow the engine to cool before storing.
- Store the unit locked up to prevent unauthorized use or damage.
- Store the unit in a dry, well-ventilated area.
- Store the unit out of the reach of children.

## LONG TERM STORAGE

If you plan on storing the unit for an extended time, use the following storage procedure:

1. Drain all fuel from the fuel tank into a container with the same 2-cycle fuel mixture. Do not use fuel that has been stored for more than 60 days. Dispose of the old fuel/oil mix in accordance to Federal, State and Local regulations.
2. Start the engine and allow it to run until it stalls. This ensures that all fuel has been drained from the carburetor.
3. Allow the engine to cool. Remove the spark plug and put 1 oz. (30 ml) of any high quality motor oil or 2-cycle oil into the cylinder. Pull the starter rope slowly to distribute the oil. Reinstall the spark plug.

**NOTE:** Remove the spark plug and drain all of the oil from the cylinder before attempting to start the unit after storage.

4. Thoroughly clean the unit and inspect it for any loose or damaged parts. Repair or replace damaged parts and tighten loose screws, nuts or bolts. The unit is ready for storage.

## TRANSPORTING

- Allow the engine to cool before transporting.
- Drain fuel from unit.
- Tighten fuel cap before transporting.
- Secure the unit while transporting.

## ACCESSORIES/ REPLACEMENT PARTS

2-Cycle Oil .....	147543
Spark Plug .....	610311
Fuel Cap .....	180000

For specific replacement parts, refer to the parts list located on the inside back cover of this manual.

# TROUBLESHOOTING

## ENGINE WILL NOT START

### CAUSE

Blue lever is in the incorrect position  
Throttle lever is in the incorrect position  
Empty fuel tank  
Primer bulb wasn't pressed enough  
Engine flooded  
Old or improperly mixed fuel  
Fouled spark plug  
Plugged spark arrestor

### ACTION

Refer to the Starting/Stopping instructions  
Refer to the Starting/Stopping instructions  
Fill fuel tank with properly mixed fuel  
Press primer bulb fully and slowly 10 times  
Use starting procedure with the blue lever in Position 2  
Drain fuel tank / Add fresh fuel mixture  
Replace or clean the spark plug  
Clean or replace spark arrestor

## ENGINE WILL NOT IDLE

### CAUSE

Air filter is plugged  
Old or improperly mixed fuel

### ACTION

Replace or clean the air filter  
Drain fuel tank / Add fresh fuel mixture

## ENGINE WILL NOT ACCELERATE

### CAUSE

Old or improperly mixed fuel  
Dirty air filter  
Plugged spark arrestor

### ACTION

Drain fuel tank / Add fresh fuel mixture  
Clean or replace the air filter  
Clean or replace spark arrestor

## ENGINE LACKS POWER OR STALLS

### CAUSE

Old or improperly mixed fuel  
Air filter is plugged  
Fouled spark plug  
Plugged spark arrestor

### ACTION

Drain fuel tank / Add fresh fuel mixture  
Replace or clean the air filter  
Replace or clean the spark plug  
Clean or replace spark arrestor

If further assistance is required, contact your authorized service dealer.

# SPECIFICATIONS

## ENGINE\*

Engine Type.....	Air-Cooled, 2-Cycle
Displacement.....	25 cc (1.4 cu. in)
Operating RPM.....	7,800 - 9,200 rpm
Idle Speed RPM.....	2,600 - 5,200 rpm
Ignition Type.....	Electronic
On/Off Stop Control.....	Throttle Kill Switch
Spark Plug Gap.....	0.020 inch (0.5 mm)
Lubrication.....	Fuel/Oil Mixture
Fuel/Oil Ratio.....	40:1
Carburetor.....	Diaphragm, All-Position
Starter.....	Auto Rewind
Muffler.....	Baffled with Guard
Fuel Tank Capacity.....	7 ounces (207 ml)

## BLOWER\*

Throttle Control.....	Lever
Blower Velocity.....	180 mph minimum (290 kmh)
Blower Air Output.....	325 cfm (99 cmm)
Weight (no fuel, with blower tube).....	9 lb. (4 kg)

\*All specifications are based on the latest product information available at the time of printing. We reserve the right to make changes at any time without notice.

# NOTES



# California / EPA Emission Control Warranty Statement

## Your Warranty Rights and Obligations

The California Air Resource Board, the Environmental Protection Agency and MTD LLC (MTD) are pleased to explain the emission control system warranty on your 2000 and later small off-road engine. New small off-road engines must be designed, built and equipped to meet stringent anti-smog standards. MTD must warrant the emission control system on your small off-road engine for the periods of time listed below provided there has been no abuse, neglect or improper maintenance of your small off-road engine.

Your emission control system may include parts such as the carburetor or fuel-injected system, the ignition system, and catalytic converter. Also included may be hoses, belts, connectors and other emission-related assemblies.

Where a warrantable condition exists, MTD will repair your small off-road engine at no cost to you including diagnosis, parts and labor.

The 2000 and later small off-road engines are warranted for two years. If any emission-related part on your engine is defective, the part will be repaired or replaced by MTD.

## Owners Warranty Responsibilities

- As the small off-road engine owner, you are responsible for the performance of the required maintenance listed in your operator's manual. MTD recommends that you retain all receipts covering maintenance on your small off-road engine, but MTD cannot deny warranty solely for the lack of receipts or for your failure to ensure the performance of all scheduled maintenance.
- As the small off-road engine owner, you however should be aware that MTD may deny you warranty coverage if your small off-road engine or a part has failed due to abuse, neglect, improper maintenance or unapproved modifications.
- You are responsible for presenting your small off-road engine to a MTD Authorized Service Center as soon as a problem exists. The warranty repairs should be completed in a reasonable amount of time, not to exceed 30 days.

If you have any questions regarding your warranty rights and responsibilities, you should call 1-800-345-8746.

## Manufacturer's Warranty Coverage

- The warranty period begins on the date the engine or equipment is delivered to the retail purchaser.
- The manufacturer warrants to the initial owner and each subsequent purchaser, that the engine is free from defects in material and workmanship which cause the failure of a warranted part for a period of two years.
- Repair or replacement of warranted part will be performed at no charge to the owner at an Authorized MTD Service Center. For the nearest location please contact MTD at: 1-800-345-8746.
- Any warranted part which is not scheduled for replacement, as required maintenance or which is scheduled for only for regular inspection to the effect of "Repair or Replace as Necessary" is warranted for the warranty period. Any warranted part which is scheduled for replacement as required maintenance will be warranted for the period of time up to the first scheduled replacement point for that part.
- The owner will not be charged for diagnostic labor which leads to the determination that a warranted part is defective, if the diagnostic work is performed at an Authorized MTD Service Center.
- The manufacturer is liable for damages to other engine components caused by the failure of a warranted part still under warranty.
- Failures caused by abuse, neglect or improper maintenance are not covered under warranty.
- The use of add-on or modified parts can be grounds for disallowing a warranty claim. The manufacturer is not liable to cover failures of warranted parts caused by the use of add-on or modified parts.
- In order to file a claim, go to your nearest Authorized MTD Service Center. Warranty services or repairs will be provided at all Authorized MTD Service Centers.
- Any manufacturer approved replacement part may be used in the performance of any warranty maintenance or repair of emission related parts and will be provided without charge to the owner. Any replacement part that is equivalent in performance or durability may be used in non-warranty maintenance or repair and will not reduce the warranty obligations of the manufacturer
- The following components are included in the emission related warranty of the engine, air filter, carburetor, primer, fuel lines, fuel pick up/ fuel filter, ignition module, spark plug and muffler.

# MANUFACTURER'S LIMITED WARRANTY FOR:



The limited warranty set forth below is given by MTD LLC ("MTD") with respect to new merchandise purchased and used in the United States, its possessions and territories.

MTD warrants this product against defects in material and workmanship for a period of two (2) years commencing on the date of original purchase and will, at its option, repair or replace, free of charge, any part found to be defective in material or workmanship. This limited warranty shall only apply if this product has been operated and maintained in accordance with the Operator's Manual furnished with the product, and has not been subject to misuse, abuse, commercial use, neglect, accident, improper maintenance, alteration, vandalism, theft, fire, water or damage because of other peril or natural disaster. Damage resulting from the installation or use of any accessory or attachment not approved by MTD for use with the product(s) covered by this manual will void your warranty as to any resulting damage. This warranty is limited to ninety (90) days from the date of original retail purchase for any MTD product that is used for rental or commercial purposes, or any other income-producing purpose.

**HOW TO OBTAIN SERVICE:** Warranty service is available, WITH PROOF OF PURCHASE THROUGH YOUR LOCAL AUTHORIZED SERVICE DEALER. To locate the dealer in your area, please check for a listing in the Yellow Pages or contact the Customer Service Department of MTD LLC by calling 1-800-345-8746 or writing to P.O. Box 361131, Cleveland OH 44136-0019 or if in Canada call 1-800-668-1238. No product returned directly to the factory will be accepted unless prior written permission has been extended by the Customer Service Department of MTD LLC.

**This limited warranty does not provide coverage in the following cases:**

- A. Tune-ups - Spark Plugs, Carburetor Adjustments, Filters.
- B. Wear items - Bump Knobs, Outer Spools, Cutting Line, Inner Reels, Starter Pulley, Starter Ropes, Drive Belts.
- C. MTD does not extend any warranty for products sold or exported outside of the United States of America, its possessions and territories, except those sold through MTD's authorized channels of export distribution.

MTD reserves the right to change or improve the design of any MTD Product without assuming any obligation to modify any product previously manufactured.

**No implied warranty, including any implied warranty of merchantability or fitness for a particular purpose, applies after the applicable period of express written warranty above as to the parts as identified. No other express warranty or guaranty, whether written or oral, except as mentioned above, given by any person or entity, including a dealer or retailer, with respect to any product shall bind MTD. During the period of the Warranty, the exclusive remedy is repair or replacement of the product as set forth above. (Some states do not allow limitations on how long an implied warranty lasts, so the above limitation may not apply to you.)**

**The provisions as set forth in this Warranty provide the sole and exclusive remedy arising from the sales. MTD shall not be liable for incidental or consequential loss or damages including, without limitation, expenses incurred for substitute or replacement lawn care services, for transportation or for related expenses, or for rental expenses to temporarily replace a warranted product. (Some states do not allow limitations on how long an implied warranty lasts, so the above limitation may not apply to you.)**

In no event shall recovery of any kind be greater than the amount of the purchase price of the product sold. Alteration of the safety features of the product shall void this Warranty. You assume the risk and liability for loss, damage, or injury to you and your property and/or to others and their property arising out of the use or misuse or inability to use the product.

This limited warranty shall not extend to anyone other than the original purchaser, original lessee or the person for whom it was purchased as a gift.

**How State Law Relates to this Warranty:** This warranty gives you specific legal rights, and you may also have other rights which vary from state to state.

To locate your nearest service dealer dial 1-800-345-8746 in the United States or 1-800-668-1238 in Canada.

**MTD LLC**  
P.O. Box 361131  
Cleveland, OH 44136-0019



# Manuel de l'utilisateur

Français

## YM290 Souffleuse 2-temps



**IMPORTANT** : lisez soigneusement les règles et consignes de sécurité avant de faire fonctionner cet équipement.

# INTRODUCTION

## TOUS NOS REMERCIEMENTS

Nous vous remercions d'avoir acheté ce produit de qualité. Cet outil mécanique de plein air moderne est conçu pour vous rendre service pendant longtemps. Il vous sauvera beaucoup de temps comme vous pourrez vous en rendre compte. Ce manuel de l'utilisateur comporte un mode d'emploi facile à comprendre. Prenez soin de lire le manuel au complet et suivez toutes ses instructions à la lettre afin de conserver votre nouvel outil mécanique de plein air en excellent état de fonctionnement.

## RÉFÉRENCES, ILLUSTRATIONS ET SPÉCIFICATIONS RELATIVES AU PRODUIT

Toutes les informations, illustrations et spécifications contenues dans ce manuel tiennent compte des dernières informations techniques disponibles au moment de mettre sous presse. Nous nous réservons le droit d'y apporter des modifications à tout moment, sans préavis.

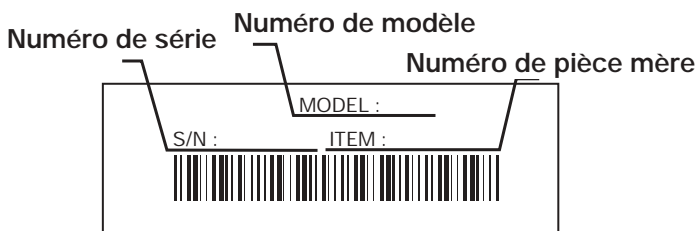
Copyright© 2004 MTD SOUTHWEST INC., Tous droits réservés.

## INFORMATIONS D'ENTRETIEN

Tout entretien effectué sur cet appareil pendant et après la période de garantie doit être fait par un concessionnaire agréé uniquement. Obtenez la liste des concessionnaires agréés appelez le **1-800-345-8746** aux États-unis, ou le **1-800-668-1238** au Canada. Pour de plus amples informations à propos de votre appareil, visitez [www.Yardman.com](http://www.Yardman.com).

NE RETOURNEZ PAS L'APPAREIL AU DÉTAILLANT CHEZ QUI VOUS L'AVEZ ACHETÉ. TOUT SERVICE SOUS GARANTIE NÉCESSITE UNE PREUVE D'ACHAT.

Avant d'assembler votre nouvel équipement, repérez la plaque signalétique de l'appareil et copiez ses informations dans l'espace ci-dessous. Ces informations sont essentielles si vous désirez obtenir de l'aide auprès de notre service technique ou d'un distributeur agréé. Un



Copiez le numéro de modèle / pièce mère ici : \_\_\_\_\_

Copiez le numéro de série ici : \_\_\_\_\_

exemple de plaque signalétique est présenté ci-dessous.

*Prenez soin de lire et de bien comprendre ce manuel avant de démarrer ou de faire fonctionner cet équipement.*

CE PRODUIT EST COUVERT PAR UN OU PLUSIEURS BREVETS AMÉRICAINS, ET D'AUTRES SONT EN INSTANCE.

## TABLE DES MATIÈRES

Service technique . . . . .	2
Consignes de sécurité . . . . .	3
Familiarisez-vous avec votre appareil . . . . .	6
Instructions de montage . . . . .	7
Informations sur l'huile et le carburant . . . . .	8
Instructions de démarrage et d'arrêt . . . . .	9
Mode d'emploi . . . . .	10
Entretien et réparations . . . . .	11
Accessoires/pièces de rechange . . . . .	13
Nettoyage et entreposage . . . . .	13
Tableau de dépannage . . . . .	14
Caractéristiques . . . . .	15
Garantie . . . . .	18
Liste des pièces . . . Intérieure de la Couverture Arrière	

## PARE-ÉTINCELLES

**REMARQUE :** à l'intention des utilisateurs opérant dans les terres forestières des États-Unis et dans les états de Californie, du Maine, de l'Orégon et de Washington. Toutes les terres forestières des États-Unis et de l'état de Californie (Codes sur les ressources publiques 4442 et 4443), de l'Orégon et de Washington exigent de par la loi que certains moteurs à combustion interne utilisés dans des zones couvertes de taillis ou d'herbe soient équipés d'un pare-étincelles en parfait état de fonctionnement, ou qu'ils soient conçus, équipés et entretenus pour la prévention des incendies. Renseignez-vous auprès des autorités de votre province ou de votre municipalité concernant la réglementation en vigueur. Vous pourriez être passible d'une amende ou être tenu responsable si vous ne respectez pas cette réglementation. Cet appareil est équipé d'un pare-étincelles en usine. **Si l'écran pare-étincelles, doit être remplacé,** communiquez avec le service technique.

## AVERTISSEMENT DE LA PROPOSITION 65 DE CALIFORNIE

**! AVERTISSEMENT !**

LES GAZ D'ÉCHAPPEMENT DU MOTEUR DE CET APPAREIL CONTIENNENT DES PRODUITS CHIMIQUES CONSIDÉRÉS PAR L'ÉTAT DE CALIFORNIE COMME POUVANT CAUSER LE CANCER, DES MALFORMATIONS CONGÉNITALES OU D'AUTRES EFFETS NOCIFS SUR L'APPAREIL DE REPRODUCTION.

# CONSIGNES DE SÉCURITÉ

Les symboles de sécurité attirent votre attention sur des dangers potentiels. Ces symboles et leurs détails explicatifs méritent que vous les lisiez et compreniez bien. Les avertissements de sécurité ne peuvent éviter les dangers de par eux-mêmes. Les consignes ou mises en garde qu'ils donnent ne remplacent pas des mesures préventives appropriées contre les accidents.

## SYMBOLE SIGNIFICATION



### ALERTE DE SÉCURITÉ:

indique un danger, un avertissement ou une mise en garde. Soyez vigilant afin d'éviter toute blessure grave. Ce symbole peut être combiné à d'autres symboles ou pictogrammes.

**REMARQUE:** donne des informations ou des instructions vitales pour le fonctionnement ou l'entretien de l'équipement.

Lisez le(s) manuel(s) de l'utilisateur et suivez tous les avertissements et consignes de sécurité. Vous pourriez à défaut entraîner des blessures graves pour vous ou d'autres personnes.

SI VOUS AVEZ DES QUESTIONS, APPELEZ LE 1-800-345-8746 AUX ÉTATS-UNIS, OU LE 1-800-668-1238 AU CANADA

## SYMBOLE SIGNIFICATION



**DANGER:** le non-respect d'un avertissement peut causer dommages matériels ou blessures graves pour tous. Respectez les consignes de sécurité afin de réduire les risques d'incendie, d'électrocution et de blessures.



**AVERTISSEMENT:** le non-respect d'un avertissement peut causer dommages matériels ou blessures graves pour tous. Respectez les consignes de sécurité afin de réduire les risques d'incendie, d'électrocution et de blessures.



**MISE EN GARDE:** le non-respect d'un avertissement peut causer dommages matériels ou blessures graves pour tous. Respectez toujours les consignes de sécurité afin de réduire les risques d'incendie, d'électrocution et de blessures.

## • IMPORTANTES CONSIGNES DE SÉCURITÉ •

### LIRE TOUTES LES INSTRUCTIONS

#### AVANT UTILISATION

- Lire les instructions attentivement. Se familiariser avec les commandes et l'utilisation correcte de cet outil.
- Ne pas utiliser l'outil si vous êtes fatigué, malade ou sous l'effet de l'alcool, de drogues ou de médicaments.
- Les enfants de moins de 15 ans ne doivent pas utiliser l'outil, exception faite des adolescents sous surveillance d'un adulte.
- Toutes les protections et tous les accessoires de sécurité doivent être en place avant d'utiliser l'outil.
- Inspecter l'outil avant utilisation. Remplacer les pièces endommagées. Regarder s'il y a des fuites de carburant. Vérifier que toute la boulonnerie est bien serrée et qu'aucune pièce ne manque. Remplacer les pièces de l'accessoire de coupe fêlées, ébréchées ou endommagées. Ne pas utiliser l'outil si des pièces sont desserrées ou endommagées.
- Éloigner les personnes enfants et animaux de la zone de travail. Prévoir une zone de sécurité dont le rayon est d'au moins 15 m (50 pi) tout en restant conscient que des objets risquent d'être projetés au-delà de cette zone et blesser quelqu'un. Il est recommandé à toute personne se trouvant à proximité de porter des lunettes de sécurité. Arrêter immédiatement le moteur si quelqu'un s'approche.
- Inspecter soigneusement la zone de travail avant de démarrer l'outil. Éliminer tous les débris tels que morceaux de verre, fil de fer, etc.

### AVERTISSEMENTS DE SÉCURITÉ CONCERNANT LES OUTILS À MOTEUR À ESSENCE



**AVERTISSEMENT:** l'essence est extrêmement inflammable et ses vapeurs peuvent exploser si on y met le feu. Veuillez prendre les précautions suivantes.

- Ne conserver le carburant que dans des récipients spécialement conçus et homologués pour le stockage de ce type de produit.
- Éviter de créer une source d'allumage pour le carburant répandu. Ne pas lancer le moteur avant que toutes les vapeurs se soient dissipées, afin d'éviter de créer une source d'allumage pour le carburant répandu.
- Toujours arrêter le moteur et le laisser refroidir avant faire l'appoint de carburant. Ne jamais retirer le bouchon du réservoir de carburant ou faire l'appoint pendant que le moteur est chaud. Ne jamais utiliser l'outil sans que le bouchon du réservoir soit bien en place. Desserrer le bouchon lentement afin de relâcher la pression du réservoir.
- Mélanger et ajoutez le carburant dans un endroit bien aéré et propre, en plein air, à l'abri des sources d'étincelles ou flammes vives. Ne retirer (lentement) le bouchon du réservoir d'essence qu'après avoir arrêté le moteur. Ne pas fumer pendant l'approvisionnement ou le mélange de carburant. Essuyer immédiatement le carburant répandu sur l'outil.
- Éloigner l'outil d'au moins 9 m (30 pi) du point d'approvisionnement en carburant avant de démarrer le moteur. Ne pas fumer et éloigner toute source d'étincelles ou de flammes vives du point d'approvisionnement ou d'utilisation de l'outil.

# CONSIGNES DE SÉCURITÉ

## PENDANT L'UTILISATION

- Ne jamais démarrer ou utiliser l'outil dans un local clos. L'inhalation des vapeurs d'échappement peut être mortelle. N'utiliser l'outil qu'à l'extérieur, dans un endroit bien aéré.
- Pour réduire les risques de blessures par des objets projetés, porter des lunettes de sécurité conformes à la norme ANSI Z87.1.
- Ne jamais utiliser l'outil s'il n'est pas équipé des accessoires nécessaires. Ne jamais utiliser l'outil sans les tubes de souffeuse.
- Pour réduire les risques de perte de l'ouïe causée par le niveau de bruit, toujours porter une protection auditive lors de l'utilisation.
- Porter des pantalons épais et longs, des bottes, des gants et une chemise à manches longues. Ne pas porter de shorts ou sandales et ne pas marcher pieds nus.
- Ne pas porter de gants en caoutchouc ou isolés pour éviter les décharges d'électricité statique lors de l'utilisation.
- Pour éviter des risques de blessures, ne pas porter de vêtements amples, bijoux, foulards et autres, qui pourraient être happés par les pièces en rotation. Les cheveux longs doivent être couverts ou maintenus au-dessus des oreilles.
- Porter un masque facial lors du travail dans les endroits poussiéreux. Les chemises à manches longues sont recommandées.
- N'utiliser l'outil qu'en plein jour ou sous bon éclairage artificiel.
- Garder l'extérieur de l'outil exempt d'huile et de carburant.
- Éviter tout démarrage accidentel. Toujours se tenir en position de démarrage avant de tirer la corde de démarrage. L'opérateur et l'outil doivent tous deux être en position d'équilibre lors du démarrage. Voir les instructions de *Démarrage et arrêt*.
- L'outil doit toujours être posé sur une surface propre et ferme. Les matériaux tels que le gravier, le sable, la poussière, l'herbe, etc. peuvent être aspirés par l'admission d'air et projetés par la sortie de l'outil, ce qui peut endommager l'outil, causer des dégâts matériels et des blessures graves à l'utilisateur ou aux personnes se trouvant à proximité.
- Toujours utiliser un outil adéquat pour l'application. Ne pas utiliser cet outil pour un usage pour lequel il n'est pas conçu.
- Ne pas forcer l'outil. Il fonctionnera plus efficacement et sera moins dangereux si sa capacité nominale n'est pas dépassée.
- Ne pas essayer de travailler hors de portée ou en se tenant sur une surface instable, telle qu'une échelle, un arbre, un toit, une pente abrupte, un toit, etc. Toujours se tenir bien campé, en position d'équilibre.
- Toujours tenir l'outil fermement pendant l'utilisation.
- Garder les mains, le visage et les pieds à l'écart des pièces en mouvement. Ne pas essayer de toucher ou d'arrêter l'hélice en rotation. Ne pas utiliser l'outil si les dispositifs de protection ne sont pas en place.
- Ne jamais introduire quoi que ce soit dans les ouvertures. Garder les ouvertures dégagées, exemptes de poussières et de débris ou autres risquant de réduire la circulation d'air.

- Ne toucher ni le moteur, ni le silencieux. Ces pièces deviennent très chaudes pendant le fonctionnement. Elles restent brûlantes pendant quelques temps après l'arrêt.
- Ne pas faire fonctionner le moteur à un régime plus qu'il n'est nécessaire pour s'acquitter de la tâche. Ne pas faire tourner le moteur à haut régime à vide.
- Toujours arrêter le moteur si le travail est interrompu ou avant de se déplacer d'un endroit à un autre.
- Arrêter le moteur et débrancher avant toute opération d'entretien ou réparation et avant d'installer ou retirer les tubes de souffeuse. Le moteur et les pales de l'hélice doivent être parvenus à l'arrêt complet pour éviter tout danger de blessure par les pièces en rotation.
- N'utilisez que des pièces de équipement original rechange et accessoires d'origine du fabricant pour cet appareil. Elles sont disponibles auprès de votre concessionnaire agréé. L'utilisation de pièces ou accessoires autres que ceux de équipement original peut causer des blessures graves, endommager l'appareil et annuler sa garantie.
- Ne jamais utiliser cet outil pour répandre des produits chimiques, engrais ou matériaux pouvant contenir des substances toxiques.
- Afin de réduire les risques d'incendie, remplacer tout silencieux ou pare-étincelles défectueux et garder le moteur et le silencieux exempts d'herbe, de feuilles et d'accumulation excessive de graisse ou de calamine.
- Ne jamais diriger le tube de la souffeuse vers des personnes, animaux domestiques ou fenêtres. Toujours souffler les débris en direction opposée des personnes, animaux domestiques et fenêtres. Redoubler de prudence lors du travail à proximité d'objets massifs tels que des arbres, véhicules, murs, etc.

## AUTRES AVERTISSEMENTS DE SÉCURITÉ

- Toujours débrancher la bougie avant de travailler sur les pièces mobiles.
- Ne jamais remiser l'outil rempli de carburant à l'intérieur d'un bâtiment où les vapeurs peuvent atteindre une source de flammes vives (une veilleuse par exemple) ou d'étincelles (commutateurs, moteurs électriques, etc).
- Laisser le moteur refroidir avant de remiser ou transporter l'outil. Bien arrimer l'outil pour le transport.
- Remiser l'outil dans un endroit sec pouvant être verrouillé ou en hauteur afin d'empêcher des dommages ou un usage non autorisé. Garder l'outils hors de portée des enfants.
- Ne jamais immerger l'outil et ne jamais l'arroser avec de l'eau ou tout autre liquide. Garder les poignées sèches, propres et exemptes de débris. Nettoyer après chaque usage. Voir les sections *Nettoyage et Remisage*.
- Conserver ces instructions. Les consulter fréquemment et les utiliser pour instruire d'autres utilisateurs. Si l'outil est prêté, il doit être accompagné de ces instructions.

**CONSERVER CES  
INSTRUCTIONS**

# CONSIGNES DE SÉCURITÉ

## SYMBOLES DE SÉCURITÉ ET INTERNATIONAUX

Ce manuel de l'utilisateur décrit les symboles et pictogrammes de sécurité et internationaux pouvant apparaître sur ce produit. Consultez le manuel de l'utilisateur pour les informations concernant la sécurité, le montage, le fonctionnement, l'entretien et les réparations.

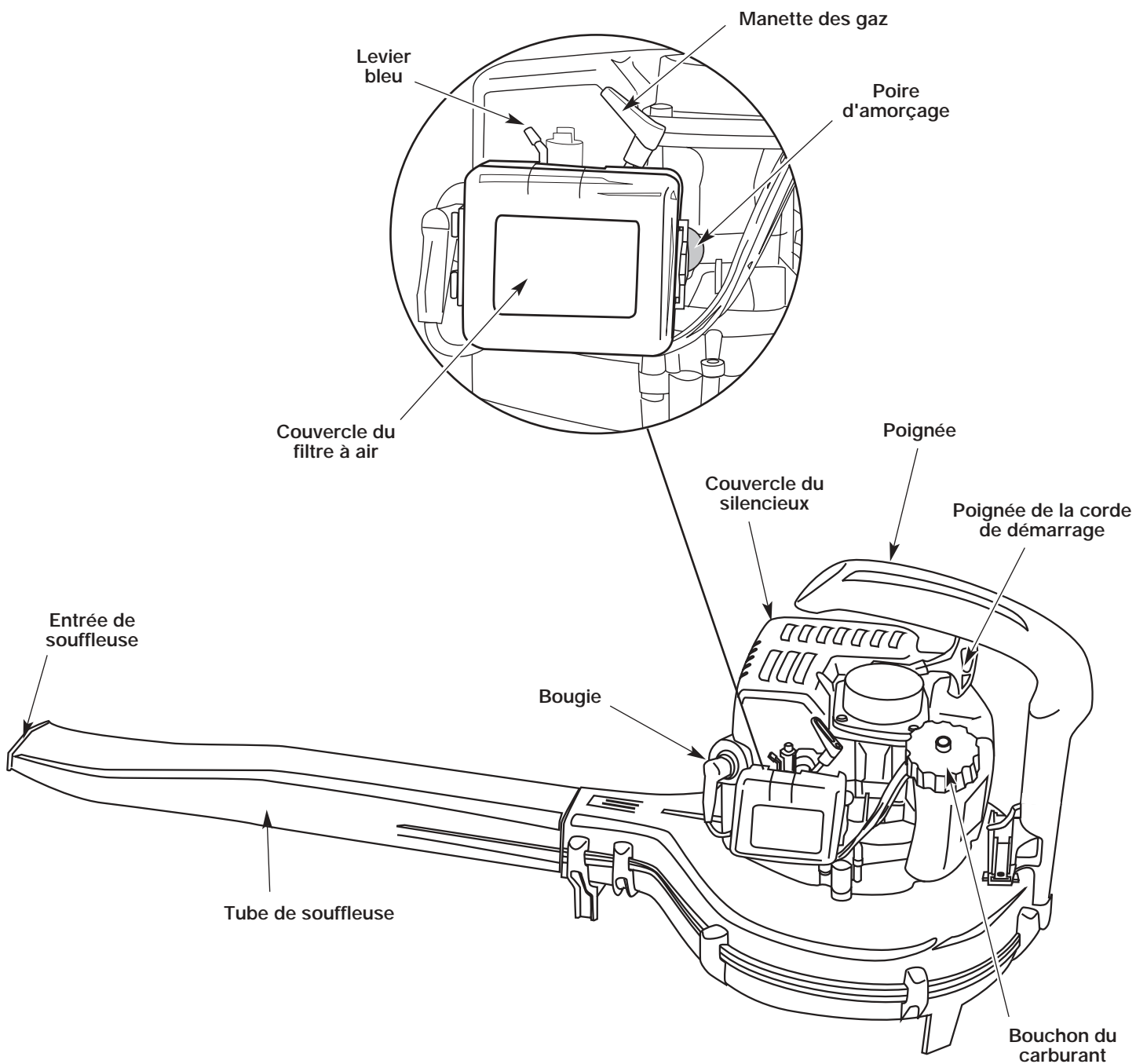
SYMBOLE	SIGNIFICATION	SYMBOLE	SIGNIFICATION
	<ul style="list-style-type: none"> <li>• <b>SYMBOLE ALERTE DE SÉCURITÉ</b></li> </ul> <p>Indique un danger, un avertissement ou une mise en garde. Ce symbole peut être combiné à d'autres symboles ou pictogrammes.</p>		<ul style="list-style-type: none"> <li>• <b>COMMANDE MARCHÉ/ARRÊT STOP</b></li> </ul> <p>ALLUMAGE / DÉMARRAGE / MARCHÉ</p>
	<ul style="list-style-type: none"> <li>• <b>AVERTISSEMENT - LISEZ LE MANUEL DE L'UTILISATEUR</b></li> </ul> <p>Lisez le manuel de l'utilisateur et suivez tous les avertissements et consignes de sécurité. Vous pourriez à défaut entraîner des blessures graves pour vous ou d'autres personnes.</p>		<ul style="list-style-type: none"> <li>• <b>COMMANDE MARCHÉ/ARRÊT STOP</b></li> </ul> <p>ARRÊT ou STOP</p>
	<ul style="list-style-type: none"> <li>• <b>PORTEZ DES PROTECTIONS (YEUX ET OREILLES)</b></li> </ul> <p><b>AVERTISSEMENT:</b> les objets projetés et les bruits forts peuvent endommager la vue et l'ouïe. Portez une visière de norme ANSI Z87.1-1989 et des protège-oreilles pendant l'utilisation.</p>		<ul style="list-style-type: none"> <li>• <b>AVERTISSEMENT SURFACE CHAUDE</b></li> </ul> <p>Ne touchez pas un silencieux ou un cylindre chaud. Vous pourriez vous brûler. Ces pièces deviennent très chaudes à l'utilisation. Elles restent chaudes brièvement après l'arrêt.</p>
	<ul style="list-style-type: none"> <li>• <b>ÉLOIGNEZ LES SPECTATEURS</b></li> </ul> <p><b>AVERTISSEMENT:</b> éloignez tout spectateur, les enfants et les animaux domestiques en particulier, d'au moins 15 m (50 pi) de la zone de coupe.</p>		<ul style="list-style-type: none"> <li>• <b>POIRE D'AMORÇAGE</b></li> </ul> <p>Enfoncez la poire d'amorçage complètement et lentement de 10 fois.</p>
	<ul style="list-style-type: none"> <li>• <b>CARBURANT SANS PLOMB</b></li> </ul> <p>Utilisez toujours du carburant sans plomb frais et propre.</p>		<ul style="list-style-type: none"> <li>• <b>SOUFFLEUSES - LES LAMES ROTATIVES PEUVENT INFLIGER DES BLESSURES GRAVES</b></li> </ul> <p><b>AVERTISSEMENT :</b> arrêter le moteur et laisser l'hélice parvenir à l'arrêt complet avant d'installer ou de changer les tubes ou le sac et avant toute opération de nettoyage, d'entretien ou de réparation.</p>
	<ul style="list-style-type: none"> <li>• <b>NIVEAU D'HUILE</b></li> </ul> <p>Voir le manuel de l'utilisateur pour le type d'huile approprié.</p>		<ul style="list-style-type: none"> <li>• <b>MANETTE DES GAZ</b></li> </ul> <p>"HAUTE" vitesse ou vitesse "MAXIMUM"</p>
	<ul style="list-style-type: none"> <li>• <b>LES OBJETS PROJETÉS ET LA TÊTE ROTATIVE PEUVENT CAUSER DES BLESSURES GRAVES</b></li> </ul> <p><b>AVERTISSEMENT:</b> Tenez-vous à l'écart de la sortie de souffleuse. Ne dirigez jamais la souffleuse vers vous ou vers les autres. La souffleuse peut projeter des objets. Ne faites pas fonctionner l'appareil sans les accessoires et protections nécessaires.</p>		<ul style="list-style-type: none"> <li>• <b>MANETTE DES GAZ</b></li> </ul> <p>"RALENTI" ou vitesse "BASSE" ou "MINIMUM"</p>

# CONSIGNES DE SÉCURITÉ

## FAMILIARISEZ-VOUS AVEC L'APPAREIL

### USAGE

- Nettoyage de cours, garages, chemins, porches, terrasses, autour des murs, clôtures, etc.





# INSTRUCTIONS DE MONTAGE

## INSTALLATION ET ENLÈVEMENT DU TUBE DU SOUFFLEUR



**AVERTISSEMENT:** Pour éviter des blessures graves, stoppez le moteur et laissez l'hélice s'arrêter avant d'installer ou de changer les tubes.



**AVERTISSEMENT:** Pour éviter des blessures graves et ne pas endommager l'appareil utilisé comme souffleur, installez le tube de soufflage.

### Installation

Pour installer le tube du souffleur, il vous suffit de le pousser dans le logement du souffleur. Poussez-le jusqu'à ce que les pattes sur le dessus et le dessous du logement se glissent en place dans les arrêts du tube du souffleur (Fig. 1).

### Retrait

Pour retirer le tube du souffleur, utilisez un tournevis plat pour soulever les pattes et sortir le tube du logement du souffleur (Fig. 1).

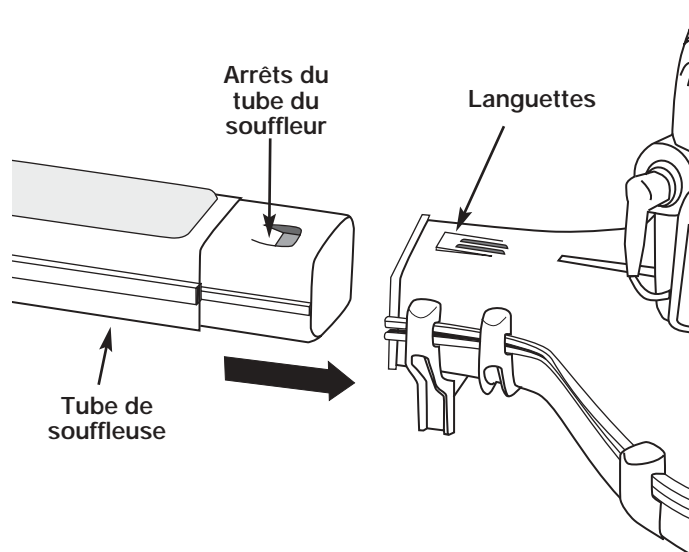


Fig. 1

# INFORMATIONS SUR L'HUILE ET LE CARBURANT

## MÉLANGE D'HUILE ET DE CARBURANT

En général, si l'appareil ne fonctionne pas correctement, c'est que le carburant est vieux ou mal mélangé. Prenez soin d'utiliser de l'essence sans plomb fraîche et propre. Suivez à la lettre les instructions de mélange de carburant et d'huile.

### Définition des carburants mélangés

Les carburants d'aujourd'hui sont souvent un mélange d'essence et d'oxygénés comme l'éthanol, le méthanol ou l'éther MTBE. Un carburant mélangé à l'alcool absorbe l'eau. Il suffit de 1 % d'eau pour séparer le carburant et l'huile. Cela forme de l'acide pendant le stockage. Si vous devez utiliser ce type de carburant, servez-vous de carburant frais (moins de 60 jours).

### Usage de carburants mélangés

Si vous choisissez d'utiliser ou ne pouvez éviter d'utiliser un carburant mélangé, suivez les conseils suivants :

- Utilisez toujours un mélange de carburant frais selon le manuel de l'utilisateur.
- Agitez toujours le mélange de carburant avant d'alimenter l'appareil.
- Videz le réservoir et faites marcher le moteur jusqu'à l'assécher avant d'entreposer l'appareil.

### Utilisation d'additifs de carburant



La bouteille d'huile 2-temps livrée avec l'appareil contient un additif permettant d'empêcher la corrosion et de minimiser la formation de résidus de gomme. Nous vous recommandons d'utiliser ce type d'huile uniquement.

Si cela n'est pas disponible, utilisez une bonne huile 2-temps conçue pour les moteurs à 2-temps refroidis par air en y ajoutant un additif, tel que le stabilisant de gaz STA-BIL ou un produit équivalent. Ajoutez 23 ml (0,8 oz) d'additif par 4 litres (1 gallon) de carburant selon les instructions du récipient. N'ajoutez JAMAIS d'additifs directement dans le réservoir de l'appareil.

	<b>MISE EN GARDE:</b> Pour assurer un bon fonctionnement et une fiabilité maximale du moteur, suivez à la lettre les instructions de mélange d'huile et de carburant du récipient d'huile 2-temps. L'emploi de carburant mal mélangé peut endommager le moteur sérieusement.
---	--

Mélangez soigneusement l'huile moteur 2-temps avec de l'essence sans plomb dans un bidon séparé. Utilisez un rapport 40:1 d'essence/huile. Ne les mélangez pas directement dans le réservoir de carburant. Voir le tableau ci-dessous pour les rapports de mélange d'essence et d'huile.

**REMARQUE :** 3,8 litres (1 gallon) d'essence sans plomb mélangés avec une bouteille de 95 ml (3.2 oz) d'huile 2-temps donnent un rapport d'essence/huile de 40:1.

	+	
<b>ESSENCE SANS PLOMB</b>		<b>HUILE 2-TEMPS</b>
<b>3,8 LITRES (1 GALLON US)</b>		<b>95 ml (3,2 OZ)</b>
<b>1 LITRE</b>		<b>25 ml</b>

**RAPPORT DE MÉLANGE O - 40:1**

	<b>AVERTISSEMENT:</b> L'essence est extrêmement inflammable et les vapeurs qui s'en dégagent peuvent exploser si on y met le feu. Arrêtez toujours le moteur et laissez-le refroidir avant de remplir le réservoir. Ne fumez pas en remplissant le réservoir. Éloignez toute source d'étincelles ou de flammes vives de la zone.
---	--

	<b>AVERTISSEMENT:</b> Enlevez le bouchon du réservoir lentement pour ne pas être blessé par les jets d'essence. Ne faites pas marcher l'appareil sans que le bouchon soit bien mis.
---	---

	<b>AVERTISSEMENT:</b> Ajoutez du carburant dans un lieu propre et bien aéré en plein air. Essayez immédiatement tout déversement de carburant. Évitez de mettre le feu au carburant déversé. Ne démarrez pas le moteur avant dissipation des vapeurs de carburant.
---	--

**REMARQUE :** Éliminez le vieux mélange de carburant conformément aux règlements fédéral, provincial et municipal en vigueur.

# INSTRUCTIONS DE DÉMARRAGE ET ARRÊT



**AVERTISSEMENT:** n'utiliser l'outil qu'à l'extérieur, dans un endroit bien aéré. Les émanations d'oxyde de carbone dans un endroit confiné peuvent être mortelles.



**AVERTISSEMENT:** éviter le démarrage accidentel. Se tenir en position de démarrage pour lancer le moteur (Fig. 4). Lors du démarrage, l'opérateur et l'outil doivent être en position d'équilibre afin d'éviter le risque de blessures graves.

D'autre part, pour le démarrage, l'outil doit toujours être posé sur une surface propre et ferme. Les matériaux tels que le gravier, le sable, la poussière, l'herbe, etc. peuvent être aspirés par l'admission d'air et projetés par la sortie de l'outil.

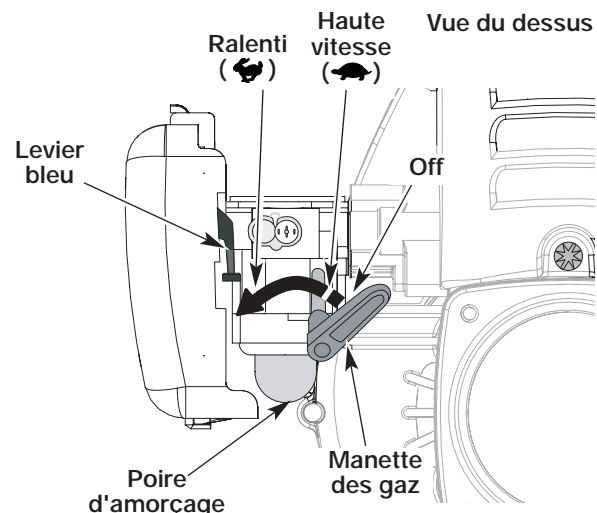


Fig. 2

## DÉMARRAGE

1. Mélanger l'huile et l'essence et remplir le réservoir. Voir les *Instructions de mélange d'huile et de carburant*.
2. Pressez et relâchez la poire d'amorçage à 10 reprises, lentement. Une certaine quantité de carburant devrait être visible dans la poire d'amorçage et les conduites de carburant (Fig. 2). Si vous n'apercevez pas de carburant dans la poire, pressez et relâchez la poire autant de fois que nécessaire jusqu'à ce que vous aperceviez du carburant dans cette dernière.
3. Mettez le levier bleu en Position 1 (Fig. 3).
4. Mettre l'outil en position de démarrage (Fig. 4). Mettez la manette des gaz en position de haute vitesse (🐇) (Fig. 2).
5. Tirez sèchement sur le cordon de démarrage jusqu'à 3 fois.
6. Mettez le levier bleu en Position 2.
7. Tirez brusquement sur la corde de démarrage 1 à 6 fois pour démarrer le moteur.
8. Laissez le moteur chauffer pendant 15 à 30 secondes. La machine est prête à être utilisée.

**Si...** Le moteur ne démarre pas, retournez à l'étape 2.

**Si...** Le moteur ne démarre pas après quelques tentatives, placez levier bleu en Position 2 et mettez la manette des gaz en position de haute vitesse (🐇). Tirez fermement sur le cordon de démarrage entre 3 et 8 fois. Le moteur devrait démarrer. S'il ne démarre pas, recommencez.

**SI CHAUD...** Le moteur est déjà chaud, démarrez la machine avec le levier bleu en position 2.

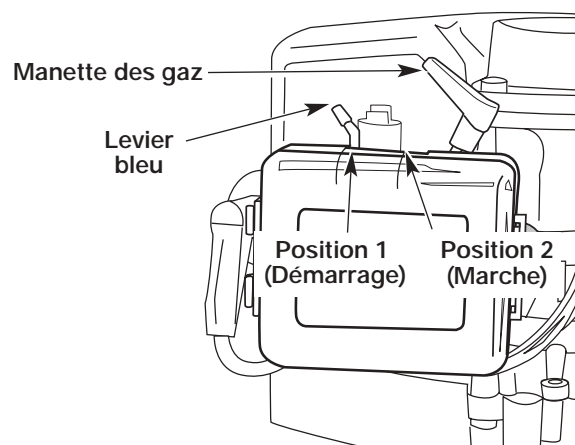


Fig. 3

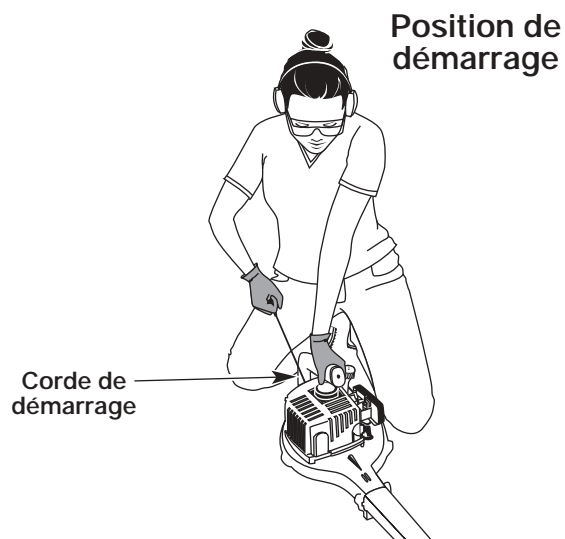


Fig. 4

## INSTRUCTIONS D'ARRÊT

1. Pour éteindre le souffleur, déplacez le levier du contrôle des gaz tout à fait à droite, passé la position ralenti (🐢) jusqu'à ce qu'il clique. Veillez à déplacer le levier contre la butée à l'extrême droite pour éteindre l'appareil (Fig. 2).

# MODE D'EMPLOI

## TENUE DE LA SOUFFLEUSE

Avant d'utiliser l'outil, se tenir en position de travail et effectuer les vérifications suivantes :

- L'utilisateur doit porter une tenue appropriée, c'est-à-dire des chaussures de travail, des lunettes de sécurité, une protection auditive, des gants, des pantalons longs et une chemise à manches longues.



**AVERTISSEMENT:** Pour éviter les risques de blessures, toujours porter des lunettes de sécurité lors de l'utilisation de cet outil. Porter un masque respiratoire dans les endroits poussiéreux.

- Si l'endroit est poussiéreux, porter un masque anti-poussière.
- S'assurer que l'outil est en bon état de marche.
- Vérifier que les tubes et protection sont en place et bien assujettis.



**AVERTISSEMENT:** Pour éviter les risques de blessures à l'opérateur ou aux personnes présentes, ainsi que des dommages à l'outil, s'assurer que les tubes de souffleuse sont en place avant d'utiliser l'outil.

## CONSEILS PRATIQUES

- Lors du démarrage, veiller à ne pas diriger l'outil vers des personnes ou des débris.
- S'assurer que l'outil est en bon état de marche. Vérifier que les tubes et protection sont en place et bien assujettis.
- Lorsque la souffleuse est utilisée à hauteur des hanches ou dans une position inhabituelle, il est recommandé de la tenir à deux mains.
- Utiliser une protection auditive pour éviter les risques de perte de l'ouïe causée par un niveau de bruit élevé.
- N'utiliser l'outil qu'à des heures raisonnables, c'est-à-dire pas trop tôt le matin ou tard le soir lorsque cela peut déranger les personnes vivant aux environs. Se conformer aux réglementations locales qui sont habituellement de 9 à 17 heures, du lundi au samedi.
- Pour réduire le niveau sonore, utiliser le moins possible d'outils motorisés en même temps.
- Pour réduire le niveau sonore utiliser la souffleuse au régime minimum permettant de s'acquitter de la tâche.
- Vérifier l'équipement avant de commencer le travail, en particulier le silencieux, l'admission d'air et les filtres à air.
- Utiliser un râteau ou un balai pour séparer les débris avant de les souffler.
- Dans les endroits poussiéreux, humecter légèrement l'aire de travail ou utiliser un accessoire de pulvérisation si une source d'eau est disponible.
- Conserver l'eau en utilisant la souffleuse au lieu d'un tuyau d'arrosage pour le nettoyage des endroits tels que les gouttières, moustiquaires, patios, grills, porches et jardins.

- Prendre garde aux enfants, animaux domestiques, fenêtres ouvertes et véhicules fraîchement lavés, et souffler les débris à l'opposé de tels obstacles.
- Après utilisation d'une souffleuse ou d'autres outils motorisés, Nettoyer la zone de travail. Jeter les débris dans des poubelles.

## UTILISATION DE LA SOUFFLEUSE

- 1 Utiliser la souffleuse pour le déblayage des arbres, buissons, massifs de fleurs et autres endroits difficiles à nettoyer (Fig. 5).
2. Utiliser l'outil pour le nettoyage des bâtiments et autres applications normales (Fig. 6).
3. Utiliser la souffleuse pour le nettoyage des murs, surplombs, palissades et moustiquaires.



Fig. 5

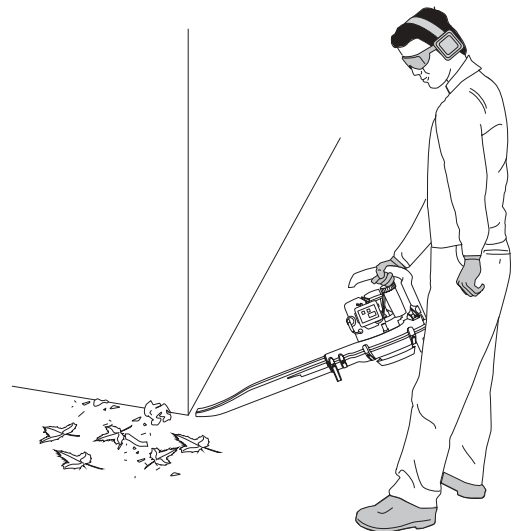


Fig. 6

# ENTRETIEN ET RÉPARATIONS

**REMARQUE :** certaines procédures d'entretien nécessitent des compétences ou des outils particuliers. Si vous n'êtes pas sûr de pouvoir les entreprendre, emmenez votre appareil dans un atelier, chez un technicien ou un concessionnaire agréé spécialisé dans les réparations de moteurs d'outils mécaniques de plein air.

## PROGRAMME D'ENTRETIEN

L'entretien doit respecter la fréquence indiquée dans le tableau ci-dessous. Il doit également faire partie de toute mise au point saisonnière.



**AVERTISSEMENT:** pour éviter tout accident, n'effectuez jamais l'entretien ou des réparations quand l'appareil fonctionne. Effectuez-les toujours lorsqu'il est froid. Débranchez le câble de la bougie pour prévenir la mise en route.

**REMARQUE:** l'entretien, le remplacement ou la réparation des dispositifs et systèmes antipollution peuvent être effectués par tout atelier, technicien ou concessionnaire agréé spécialisé dans les réparations de moteurs d'outils mécaniques de plein air.

Afin d'assurer une performance optimale du moteur, il est conseillé d'examiner l'orifice d'échappement du moteur après 50 heures de fonctionnement. Si vous remarquez une perte de tours par minute, une pauvre performance ou un manque général d'accélération, cet entretien peut s'avérer nécessaire. Si vous pensez que le moteur a besoin de ce type d'inspection, apportez-le pour réparation auprès d'un atelier, technicien ou concessionnaire agréé spécialisé dans les réparations de moteurs d'outils mécaniques de plein air. N'essayez PAS de le faire vous-même car un endommagement du moteur pourrait résulter de la présence d'impuretés provenant du nettoyage de l'orifice.

FRÉQUENCE	ENTRETIEN REQUIS	RÉFÉRENCE
Avant démarrage	Remplissez le réservoir du mélange d'essence/huile approprié	Page F8
Toutes les 10 heures	Nettoyez le filtre à air et lubrifiez-le de nouveau	Page F11
Toutes les 25 heures	Vérifiez le pare-étincelles et nettoyez-le Vérifiez l'état de la bougie et l'écartement des électrodes	Page F12 Page F13
Toutes les 50 heures	Examinez l'orifice d'échappement et l'écran pare-étincelles pour détecter tout bouchage ou obstruction, afin d'assurer des niveaux de performance maximum.	Page F12

## ENTRETIEN DU FILTRE À AIR



**AVERTISSEMENT:** pour éviter des blessures graves, éteignez toujours l'appareil et laissez-le refroidir avant tout nettoyage ou entretien.

Nettoyez et relubrifiez le filtre à air à toutes les 10 heures de fonctionnement. Son entretien est très important. Si vous ne le faites pas, cela **ANNULERA** la garantie.

1. Retirez le couvercle du carburateur/filtre à air en appuyant sur la patte située à la droite du couvercle (Fig. 7).
2. Ouvrez le couvercle du filtre à air. Il s'ouvrira comme un battant, les charnières étant sur le côté gauche du couvercle (Fig. 8).

3. Retirez le filtre à air (Fig. 8).
4. Lavez le filtre dans un mélange d'eau et de détergent. Rincez-le abondamment et laissez sécher.
5. Appliquez une quantité suffisante d'huile moteur propre SAE 30 pour enduire légèrement le filtre (Fig. 10).
6. Pressez le filtre pour répandre et drainer l'excédent d'huile (Fig. 11).
7. Réinstallez le filtre et le couvercle du filtre à air (Fig. 7).

**REMARQUE :** si vous faites fonctionner l'appareil sans filtre à air, vous **ANNULEREZ** la garantie.

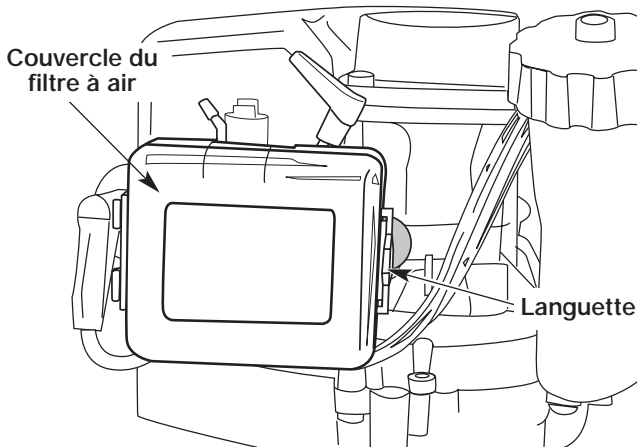


Fig. 7

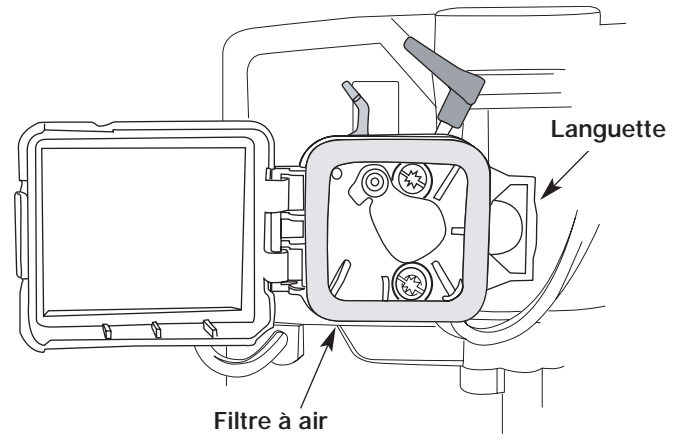


Fig. 8

# ENTRETIEN ET RÉPARATIONS

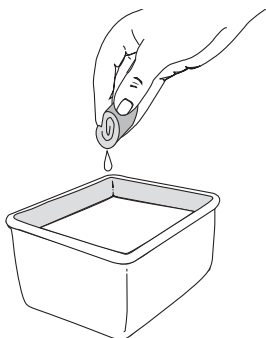


Fig. 9

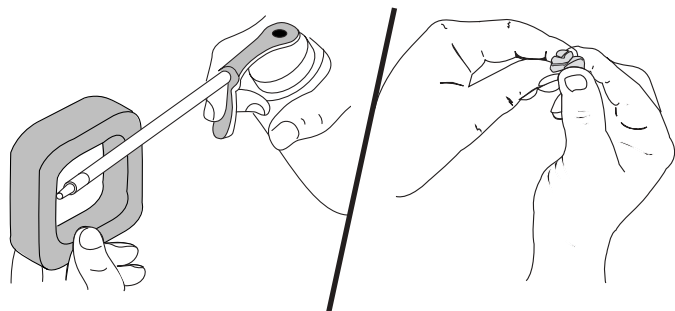


Fig. 10

Fig. 11

## ENTRETIEN DU PARE-ÉTINCELLES



**AVERTISSEMENT:** pour éviter des blessures graves, éteignez toujours l'appareil et laissez-le refroidir avant tout nettoyage ou entretien.

1. Le pare-étincelles se trouve dans le silencieux, sous le cache moteur. Lorsque vous regardez le devant de la machine, le silencieux et le pare-étincelles se trouvent du côté gauche (Fig. 12).
2. Pour accéder au silencieux et au pare-étincelles, vous devez retirer le cache moteur. En vous servant d'un tournevis plat ou torx T-25, dévissez les cinq vis du moteur montrées dans la Figure 13.

**REMARQUE :** Vous devez retirer la bougie pour accéder à une des vis tenant le cache moteur en place (Vis 5) (Fig. 13).

3. Une fois le cache moteur retiré, l'écran de chaleur du silencieux est visible. Retirez les trois vis de l'écran de chaleur et mettez-le de côté pour exposer le silencieux.
4. Dévissez les trois vis restantes qui attachent le déflecteur au silencieux. Enlevez également les deux boulons. Servez-vous d'un tournevis cruciforme pour les vis et d'un tournevis torx T-25 pour les boulons du silencieux (Fig. 14).
5. Retirez le pare-étincelles et nettoyez-le avec une brosse métallique. Remplacez-le s'il est endommagé ou si vous ne pouvez pas le nettoyer convenablement.
6. Réinstallez le pare-étincelle et rattachez le déflecteur du silencieux avec les boulons et les vis.

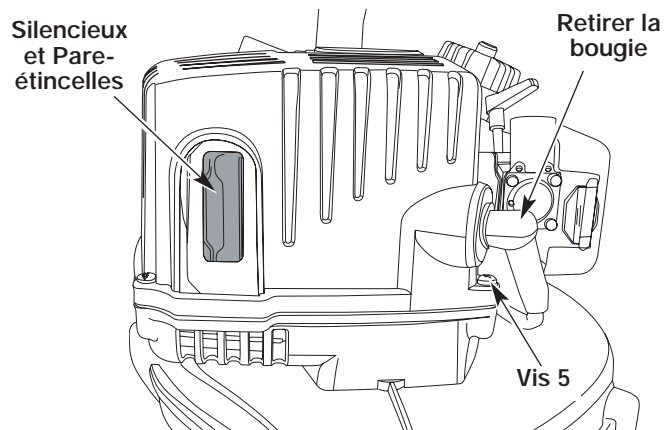


Fig. 12

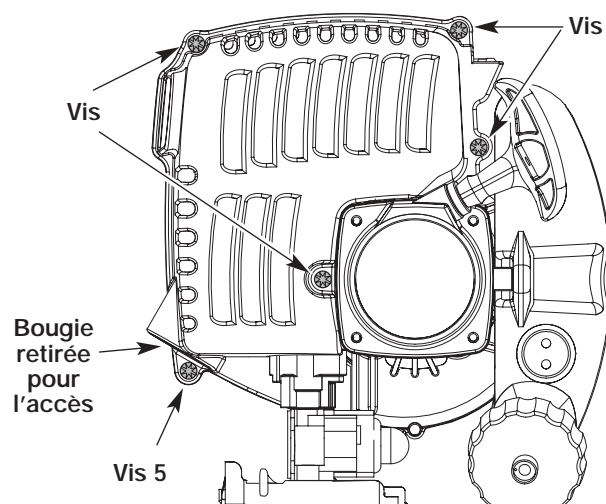


Fig. 13

7. Réinstallez l'écran de chaleur avec les trois vis.
8. Remettez le cache moteur sur la machine et revissez les cinq vis.
9. Reconnectez la bougie.

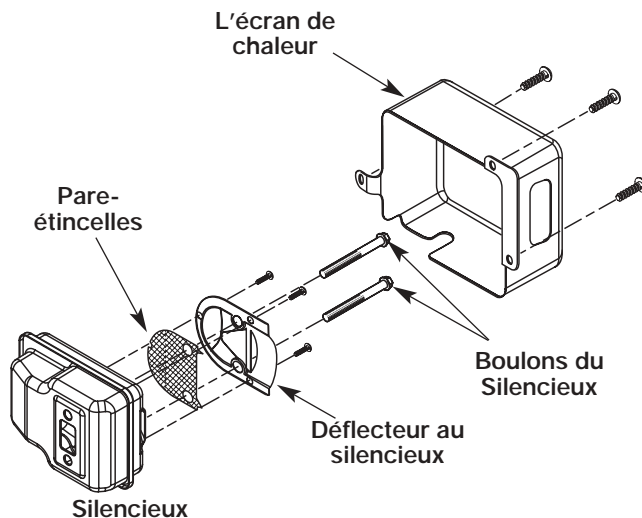


Fig. 14

# ENTRETIEN ET RÉPARATIONS

## REPLACEMENT DE LA BOUGIE

Utilisez une bougie #610311 (ou un Champion RDJ7Y). L'écartement correct est de **0,5 mm (0,020 po)**. Retirez la bougie après **25 heures** de fonctionnement et vérifiez son état.

1. Arrêtez le moteur et laissez-le refroidir. Saisissez fermement le câble de la bougie et retirez le capuchon de celle-ci.
2. Nettoyez toute saleté de la bougie. Retirez la bougie de la culasse en tournant la douille de 5/8 po à gauche.
3. Remplacez toute bougie fendillée, encrassée ou sale. Réglez l'écartement à **0,5 mm (0,020 po)** à l'aide d'une jauge d'épaisseur (Fig. 15).



**MISE EN GARDE:** évitez de sabler, gratter ou nettoyer les électrodes car de la saleté dans le moteur pourrait endommager le cylindre.

4. Installez la bougie avec un écartement correct dans la culasse en tournant la douille de 5/8 po à droite jusqu'à la bien visser.

Si vous utilisez une clé dynamométrique vissez avec les valeurs de couple suivantes :

**110-120 po•lb (12,3-13,5 N•m).**

Évitez de trop serrer.

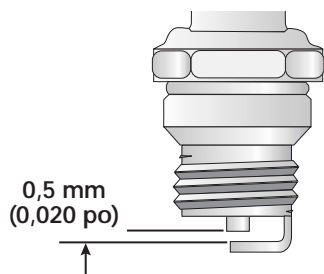


Fig. 15

## NETTOYAGE



**AVERTISSEMENT:** pour éviter des blessures graves, éteignez toujours l'appareil et laissez-le refroidir avant tout nettoyage ou entretien.

Nettoyer l'extérieur de l'outil à l'aide d'une petite brosse. Ne pas utiliser de détergents puissants. Les produits ménagers contenant des huiles aromatiques tel que le pin et le citron et les solvants tel que le kérosène peuvent endommager le boîtier ou la poignée en plastique. Essuyer toute trace d'humidité à l'aide d'un chiffon doux.

## REMISAGE

- Ne jamais remiser l'outil plein de carburant dans un lieu où les vapeurs peuvent atteindre une flamme vive ou des étincelles.
- Laisser le moteur refroidir avant le remisage.
- Remiser l'outil dans un lieu verrouillé pour éviter toute utilisation non autorisée ou éviter des dommages.
- Remiser l'outil dans un lieu sec et bien aéré.
- Remiser l'outil hors de portée des enfants.

## REMSISAGE À LONG TERME

Si l'outil doit être remisé pour une période prolongée, procéder comme suit :

1. Vider tout le carburant du réservoir dans un récipient contenant le même mélange 2-temps. Ne pas utiliser de carburant entreposé pendant plus de 60 jours. Éliminer le vieux mélange de carburant conformément aux réglementations gouvernementales et locales en vigueur.
2. Démarrer le moteur, puis le laisser tourner jusqu'à ce qu'il cale afin de brûler tout le carburant.
3. Laisser le moteur refroidir. Retirer la bougie et verser environ 30 ml (1 oz) d'huile moteur 2-temps de bonne qualité dans le cylindre. Tirer lentement sur la corde de démarrage pour bien répartir l'huile. Remettre la bougie en place.

**REMARQUE :** retirer la bougie et vider toute l'huile du cylindre avant de démarrer l'outil après une période de remisage.

4. Nettoyer soigneusement l'outil et vérifier qu'il n'y a pas de pièces desserrées ou endommagées. Réparer ou remplacer les pièces endommagées, puis serrer les vis, écrous et boulons selon le besoin. L'outil est alors prêt pour le remisage.

## TRANSPORT

- Laisser le moteur refroidir avant le transport.
- Bien arrimer l'outil pour le transport.
- Vider tout le carburant de l'outil.
- Serrer le bouchon du réservoir avant le transport.

## ACCESSOIRES/PIÈCES DE RECHANGE

Huile 2-temps . . . . .	147543
Bougie . . . . .	610311
Bouchon du carburant . . . . .	180000

Pour des pièces de rechange, veuillez consulter la liste des pièces à l'intérieur de la couverture arrière de ce manuel.

# DÉPANNAGE

## LE MOTEUR NE DÉMARRE PAS

### CAUSE

Étrangleur en position incorrecte  
Réservoir de carburant vide  
La poire d'amorçage n'a pas été enfoncée un nombre de fois suffisant  
Moteur noyé  
  
Carburant vieux ou mal mélangé  
Bougie encrassée  
Pare-étincelles colmaté

### SOLUTION

Voir les instructions de démarrage/arrêt  
Le remplir de carburant bien mélangé  
Le remplir de carburant bien mélangé. L'enfoncer complètement et lentement 10 fois  
Utiliser la procédure de démarrage SANS L'ÉTRANGLEUR  
Vider le réservoir/ajouter du carburant frais  
La remplacer ou la nettoyer  
Nettoyez ou remplacez le pare-étincelles

## LE MOTEUR NE GARDE PAS LE RALENTI

### CAUSE

Filtre à air colmaté  
Carburant vieux ou mal mélangé

### SOLUTION

Le remplacer ou le nettoyer  
Vider le réservoir/ajouter du carburant frais

## LE MOTEUR N'ACCÉLÈRE PAS

### CAUSE

Carburant vieux ou mal mélangé  
Filtre à air sale  
Pare-étincelles colmaté

### SOLUTION

Vider le réservoir/ajouter du carburant frais  
Le remplacer ou le nettoyer  
Nettoyez ou remplacez le pare-étincelles

## LE MOTEUR MANQUE DE PUISSANCE OU CALE

### CAUSE

Carburant vieux ou mal mélangé  
Filtre à air colmaté  
Bougie encrassée  
Pare-étincelles colmaté

### SOLUTION

Vider le réservoir/ajouter du carburant frais  
Le remplacer ou le nettoyer  
La remplacer ou la nettoyer  
Nettoyez ou remplacez le pare-étincelles

Pour toute assistance, contacter le concessionnaire agréé.



# CARACTÉRISTIQUES

## MOTEUR\*

Type de moteur .....	Refroidi par air, 2-temps
Cylindrée .....	25 cc (1,4 po <sup>3</sup> )
Régime de fonctionnement .....	7.800 - 9.200 tr/min
Régime ralenti .....	2.600 - 5.200 tr/min
Type d'allumage.....	Électronique
Commande Marche/Arrêt Stop.....	Coupe moteur de sécurité
Écartement de la bougie.....	0,5 mm (0,020 po)
Lubrification .....	Mélange carburant/huile
Rapport carburant/huile .....	40:1
Carburateur .....	Membrane, toutes positions
Démarrateur.....	Rembobinage automatique
Silencieux.....	Chicane avec protection
Capacité du réservoir de carburant.....	207 ml (7 oz)

## SOUFFLEUSE\*

Manette des gaz.....	Détente à portée
Vélocité de la souffleuse .....	290 km/h (180 m/h) min.
Sortie d'air de la souffleuse.....	99 m <sup>3</sup> /min (325 pi <sup>3</sup> /min) max.
Poids à vide (sans carburant, avec tube de souffleuse).....	4 kg (9 lb)

\*Toutes les spécifications contenues dans ce manuel tiennent compte des dernières informations techniques disponibles au moment de mettre sous presse. Nous nous réservons le droit d'y apporter des modifications à tout moment, sans préavis.

# REMARQUES

# Garantie portant sur les normes antipollution de la California et l'EPA

## Vos droits et obligations en vertu de cette garantie

Le California Air Resource Board, l'Agence de Protection de l'Environnement et MTD LLC (MTD) ont le plaisir de présenter la garantie du dispositif antipollution des petits moteurs à usage tout-terrain datant de 2000 et au-delà. Les nouveaux petits moteurs à usage tout-terrain doivent être conçus, construits et équipés pour être conformes aux strictes normes anti-smog. MTD doit garantir le système de contrôle des émissions de votre petit moteur à usage tout-terrain pendant les périodes de temps indiquées ci-dessous à condition que le moteur n'ait pas souffert d'abus, de négligence ou fait l'objet d'un mauvais entretien.

Votre dispositif antipollution peut inclure des pièces diverses tel que le carburateur ou un système d'injection, le dispositif d'allumage et un convertisseur catalytique. Il pourrait aussi inclure des tuyaux, courroies, connecteurs et autres ensembles de pièces relatives aux émissions.

Advenant une situation couverte par la garantie, MTD réparera votre petit moteur à usage tout-terrain sans frais aucun y compris le diagnostic, les pièces et la main d'œuvre.

Les moteurs à usage tout-terrain datant de 2000 et plus sont garantis pendant deux ans. Si une pièce de votre moteur relative aux émissions devenait défectueuse, MTD la réparera ou la remplacera.

## Responsabilités du propriétaire en vertu de cette garantie

- En tant que propriétaire d'un petit moteur à usage tout-terrain, vous êtes responsable des entretiens requis indiqués dans votre manuel de l'utilisateur. MTD recommande que vous conserviez tous les reçus d'entretien de votre petit moteur à usage tout-terrain. MTD ne peut toutefois réfuter votre garantie juste parce que vous n'avez pas les reçus ou si vous ne veillez pas à ce que les travaux d'entretien prévus soient effectués.
- En tant que propriétaire d'un petit moteur à usage tout-terrain, sachez que MTD peut refuser de vous couvrir sous garantie si votre moteur ou si une pièce sont défectueux pour cause d'abus, de négligence, d'entretien incorrect ou de modifications non autorisées.
- Il vous incombe de présenter votre petit moteur à usage tout-terrain à un centre de service agréé MTD dès que le problème fait son apparition. Les réparations sous garantie doivent être achevées dans une durée de temps raisonnable ne dépassant en aucun cas 30 jours.

Si vous avez des questions au sujet de vos droits et responsabilités en vertu de cette garantie, appelez le 1-800-345-8746.

## Garantie du fabricant

- La période de garantie commence à la date où le moteur ou l'équipement est livré à l'acheteur au détail.
- Le fabricant garantit au propriétaire initial et à chaque acheteur subséquent que le moteur est libre de défauts de matériaux et de vices de fabrication pouvant provoquer la défaillance d'une pièce garantie pendant une période de deux ans.
- Toute réparation ou remplacement d'une pièce garantie devra être effectué sans aucun frais au compte du propriétaire par un centre de service MTD agréé. Pour connaître le centre le plus proche de vous, veuillez contacter MTD à : 1-800-345-8746.
- Toute pièce garantie dont le remplacement n'est pas prévu dans le cadre des entretiens requis, ou dont uniquement une inspection normale est prévue selon le principe de "réparation ou remplacement au besoin", est garantie pendant la période de garantie. Toute pièce garantie dont le remplacement est prévu dans le cadre des entretiens requis sera garantie pendant la période de temps allant jusqu'à la date du premier remplacement prévu pour cette pièce.
- Le propriétaire ne subira pas de frais relatifs à un travail de diagnostic qui conclut que la pièce garantie est défectueuse si le travail de diagnostic a été effectué chez un centre de service MTD agréé.
- Le fabricant est responsable de tous les dommages occasionnés aux autres composants du moteur par la défaillance d'une pièce encore sous garantie.
- Les défaillances causées par l'abus, la négligence ou un mauvais entretien ne sont pas couvertes par cette garantie.
- L'utilisation d'un ajout ou de pièces modifiées peut justifier le refus d'une réclamation au titre de la garantie. Le fabricant n'est pas responsable des défaillances des pièces garanties découlant de l'utilisation d'ajouts ou de pièces modifiées.
- Pour déposer une réclamation, adressez-vous au centre de service MTD agréé le plus proche. Les services ou réparations sous garantie sont offerts par tous les centres de service MTD agréés.
- Toutes les pièces de rechange approuvées par le fabricant peuvent être utilisées dans le cadre d'un entretien ou d'une réparation sous garantie de pièces relatives au dispositif antipollution et sont fournies sans frais. Toute pièce de rechange équivalente en termes de performances ou de durabilité peut être utilisée lors d'un entretien ou d'une réparation hors garantie et ne diminue pas les obligations qui incombent au fabricant en vertu de la garantie.
- Les composants suivants sont inclus dans la garantie relative au système antipollution du moteur : filtre à air, carburateur, poire d'amorçage, conduites de carburant, alimentation d'arrivée, filtre à carburant, module d'allumage, bougie et silencieux.

# GARANTIE LIMITÉE DU FABRICANT POUR:



La garantie limitée énoncée ci-après est accordée par MTD LLC (« MTD ») et concerne les marchandises neuves achetées et utilisées aux États-Unis, ainsi que dans leurs possessions et territoires.

MTD garantit ce produit contre tout vice de matière ou de façon pendant une période de deux (2) ans à compter de la date d'achat initiale et elle se réserve le choix de réparer ou de remplacer, à titre gratuit, toute pièce présentant un vice de matière ou de façon. Cette garantie limitée ne s'appliquera que dans la mesure où le produit aura été utilisé et entretenu conformément au Guide de l'utilisateur fourni avec le produit et n'aura pas fait l'objet d'un usage inadéquat, abusif, commercial ou négligent, d'un accident, d'un entretien inadéquat, d'une modification, de vandalisme, d'un vol, d'un incendie, de dégâts d'eau ou d'un endommagement résultant d'un autre péril ou d'un désastre naturel. Les dommages résultant de l'installation ou de l'utilisation de tout accessoire ou équipement non approuvé par MTD pour une utilisation avec le(s) produit(s) couvert(s) par le présent guide annuleront la garantie et ce qui concerne les dommages qui en résulteraient éventuellement. La présente garantie est limitée à quatre-vingt-dix (90) jours à compter de la date d'achat au détail initiale pour tout produit MTD utilisé à des fins locatives ou commerciales, ou toute utilisation produisant des revenus.

**POUR L'ENTRETIEN-DÉPANNAGE :** L'Entretien-dépannage au titre de la garantie est disponible, SUR PRÉSENTATION DE PREUVE D'ACHAT, AUPRÈS DU DISTRIBUTEUR AGRÉÉ LOCAL. Pour obtenir le nom du distributeur agréé local, consulter les Pages Jaunes ou se mettre en rapport avec le Service après-vente de MTD LLC. en appelant le 1-800-345-8746 ou en écrivant au P.O. Box 361131, Cleveland OH 44136-0019 ou en appelant le 1-800-668-1238 au Canada. Aucun produit retourné à l'usine sans permission écrite préalable du service après-vente de MTD LLC ne sera accepté.

**La garantie limitée n'offre aucune couverture dans les cas suivants :**

- A. Mises au point – Bougies, réglages de carburateur, filtres.
- B. Articles d'usure – Bouton de butée, bobines extérieures, fil de coupe, bobines intérieures, poulie de démarrage, cordes de démarrage, courroies d'entraînement.
- C. MTD n'accorde aucune garantie pour les produits vendus ou exportés des États-Unis, de leurs possessions et territoires, exception faite en ce qui concerne les produits vendus par l'intermédiaire de ses canaux agréés de distribution à l'exportation.

MTD se réserve le droit de modifier ou d'améliorer la conception de tout produit MTD sans assumer l'obligation de modifier tout produit d'une fabrication plus ancienne.

Aucune garantie implicite, y compris toute garantie de valeur marchande ou d'adaptation à une fin particulière, ne s'applique après la période applicable de garantie expresse écrite ci-dessus concernant les pièces qui sont identifiées. Aucune autre garantie ou caution expresse, écrite ou orale, à l'exception de celle mentionnée ci-dessus, accordée par toute personne ou entité, y compris tout distributeur ou détaillant, concernant tout produit n'engagera la responsabilité de MTD. Pendant la période de garantie, le remède exclusif est la réparation ou le remplacement du produit dans les conditions énoncées ci-dessus. (Certains états ne permettent pas la limitation de la garantie implicite, il est donc possible que la limitation ci-dessus ne s'applique pas à vous.)

Les clauses énoncées dans la présente Garantie constituent le recours unique et exclusif inhérent aux ventes. MTD ne sera en aucun cas tenue pour responsable de tout dommage indirect ou consécutif ou de dommages comprenant, entre autres mais pas seulement, les dépenses encourues du fait du recours à des services de remplacement ou de substitution pour l'entretien des pelouses, le transport ou des frais connexes, ou les frais entraînés par une location destinée à remplacer provisoirement un produit sous garantie. (Certains états ne permettent pas la limitation de la garantie implicite, il est donc possible que la limitation ci-dessus ne s'applique pas à vous.)

Aucun recouvrement, quel qu'il soit, ne sera d'un montant supérieur au prix du produit vendu. Toute modification des dispositifs de sécurité du produit annulera la présente Garantie. Vous assumez tout risque et toute responsabilité résultant de la perte, de l'endommagement ou du préjudice que vous et votre propriété et/ou d'autres et leur propriété pourront encourir du fait de l'utilisation normale, de la mauvaise utilisation ou de l'empêchement d'utiliser le produit.

La présente garantie limitée n'est accordée qu'à l'acheteur initial, au preneur initial ou à la personne à laquelle le produit a été offert.

**Le Droit des États vis à vis de la présente garantie :** la présente garantie vous confère certains droits juridiques, et vous pouvez bénéficier d'autres droits, lesquels varient d'une juridiction à l'autre.

Pour obtenir l'adresse du distributeur agréé le plus proche, composer le : 1-800-345-8746 aux États-Unis ou le 1-800-668-1238 au Canada.

**MTD LLC**  
P.O. Box 361131  
Cleveland, OH 44136-0019



# Manuel del Dueño/Operador

## YM290 Soplador de 2 Ciclos



Español



**IMPORTANTE:** Lea las instrucciones y normas de seguridad detenidamente antes de usar el equipo.

# INTRODUCCION

## MUCHAS GRACIAS

Gracias por haber adquirido este gran producto. Esta moderna herramienta motriz de exteriores está diseñada para brindarle muchas horas de servicio útil. Usted comprobará que es un artefacto que le ahorrará mucho trabajo. Este manual del operador le brinda instrucciones de operación de fácil comprensión. Lea todo el manual y siga todas las instrucciones para mantener su nueva herramienta motriz de exteriores en las mejores condiciones de funcionamiento.

## REFERENCIAS, ILUSTRACIONES Y ESPECIFICACIONES DEL PRODUCTO

Toda la información, las ilustraciones y las especificaciones contenidas en este manual se basan en la información más reciente disponible en el momento de impresión del manual. Nos reservamos el derecho de hacer cambios en cualquier momento sin aviso previo.

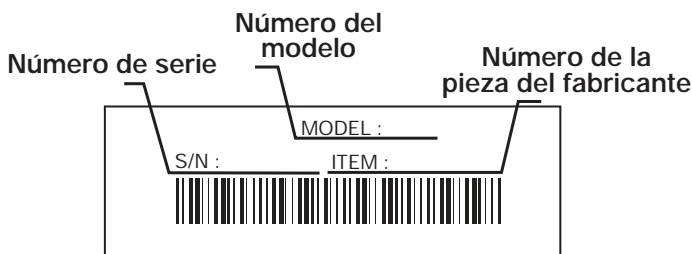
Copyright© 2004 MTD SOUTHWEST INC. Todos los derechos reservados.

## INFORMACION DEL SERVICIO

El servicio de esta unidad, ya sea durante o después del período cubierto por la garantía, debe ser realizado solamente por un proveedor de servicios autorizado y aprobado. Llame **1-800-345-8746** en EE.UU. o al **1-800-668-1238** en Canada para obtener una lista de distribuidores de servicio localizados cerca de usted. Para obtener más detalles sobre su unidad, visite nuestro sitio en [www.Yardman.com](http://www.Yardman.com).

**NO REGRESE SU UNIDAD AL VENDEDOR. PARA SOLICITAR SERVICIO POR LA GARANTIA, DEBERA PRESENTAR PRUEBA DE SU COMPRA.**

Antes de que empiece a ensamblar su nuevo equipo, por favor ubique la placa que contiene el modelo de la unidad y escriba esa información en el espacio en blanco aquí debajo. Aquí debajo se explica la muestra de una placa del modelo.



Copie el número del modelo/  
pieza del fabricante aquí: \_\_\_\_\_

Copie el número  
de serie aquí: \_\_\_\_\_

*Antes de arrancar u operar este equipo, asegúrese de leer y comprender bien este manual.*

ESTE PRODUCTO ESTA CUBIERTO POR UNA O MAS PATENTES DE EE.UU., OTRAS PATENTES EN TRAMITE.


## INDICE DE CONTENIDOS

Llamadas a apoyo al cliente	2
Normas para una operación segura	3
Conozca su unidad	6
Instrucciones de ensamble	7
Información del aceite y del combustible	8
Instrucciones de arranque y apagado	9
Instrucciones de operación	10
Instrucciones de mantenimiento y reparación	11
Accesorios y piezas de repuesto	13
Limpieza y almacenamiento	13
Cuadro de solución de problemas	14
Especificaciones	15
Garantía	20
Lista de Piezas	Contraportada


## PARACHISPAS

**NOTA: Para los usuarios en tierras forestales de los EE.UU. y en los estados de California, Maine, Oregon y Washington.** Todos los terrenos forestales de los EE.UU. y el estado de California (Códigos de Recursos Públicos 4442 y 4443), Oregon y Washington, requieren por decreto, que ciertos motores de combustión interna que se hagan funcionar en zonas boscosas y/o zonas cubiertas por pastizales, estén equipados con un parachispas, que sean mantenidos en buen estado de funcionamiento o que el motor sea construido, esté equipado y sea mantenido para evitar incendios. Consulte los reglamentos pertinentes a esos requisitos con las autoridades estatales o locales. El incumplimiento de esos requisitos puede responsabilizarle o someterle a la imposición de una multa. **Esta unidad fue equipada en la fábrica con un parachispas.** Si requiere sustitución, hay una **Pantalla Parachispas disponible**, al contactar el departamento de servicio.

## PROPOSICIÓN 65 DE CALIFORNIA



# ADVERTENCIA



LAS EMISIONES DEL MOTOR DE ESTE PRODUCTO CONTIENEN SUBSTANCIAS QUIMICAS QUE EL ESTADO DE CALIFORNIA CONOCE COMO CAUSANTES DE CANCER, DEFECTOS DE NACIMIENTO U OTROS DAÑOS REPRODUCTIVOS.

# NORMAS PARA UNA OPERACION SEGURA

Los símbolos de seguridad se utilizan para llamar su atención sobre posibles peligros. Los símbolos de seguridad y sus explicaciones merecen toda su atención y comprensión. Los símbolos de seguridad no eliminan ningún peligro por sí mismos. Las instrucciones o advertencias que ofrecen no substituyen las medidas adecuadas de prevención de accidentes.

SIMBOLO	SIGNIFICADO
---------	-------------



## ALERTA DE SEGURIDAD:

Indica peligro, advertencia o precaución. Debe prestar atención para evitar sufrir graves lesiones personales. Puede ser utilizado junto con otros símbolos o figuras.

**NOTA:** Le ofrece información o instrucciones que son esenciales para la operación o mantenimiento del equipo.

Lea el manual del operador y siga todas las advertencias e instrucciones de seguridad. De no hacerlo, el operador y/o los espectadores pueden sufrir graves lesiones.

SI TIENE PREGUNTAS, LLAME AL 1-800-345-8746 EN EE.UU. O AL 1-800-668-1238 en CANADA

SIMBOLO	SIGNIFICADO
---------	-------------



**PELIGRO:** El no obedecer una advertencia de seguridad puede conducir a que usted u otras personas sufran graves lesiones. Siga siempre las precauciones de seguridad para reducir el riesgo de incendio, descarga eléctrica y lesiones personales.



**ADVERTENCIA:** El no seguir una advertencia de seguridad puede conducir a que usted u otras personas sufran lesiones. Siga siempre las precauciones de seguridad para reducir el riesgo de incendio, descarga eléctrica y lesiones personales.



**PRECAUCION:** El no seguir una advertencia de seguridad puede conducir a daño patrimonial o a que usted u otras personas sufran lesiones personales. Siga siempre las precauciones de seguridad para reducir el riesgo de incendio, descarga eléctrica y lesiones personales.

## • IMPORTANTE INFORMACION DE SEGURIDAD •

### LEA TODAS LAS INSTRUCCIONES ANTES DE LA OPERACIÓN

- Lea todas las instrucciones con cuidado. Conozca bien los controles y el uso correcto de la unidad.
- No opere esta unidad si está cansado, enfermo, o bajo los efectos del alcohol, drogas o medicamentos.
- Los niños y los adolescentes menores de 15 años no deben operar las unidades, excepto por los adolescentes guiados por un adulto.
- Se debe instalar adecuadamente todos los protectores y accesorios de seguridad antes de hacer funcionar la unidad.
- Inspeccione la unidad antes de utilizarla. Cambie las partes dañadas. Verifique si existen fugas de combustible. Asegúrese de que los sujetadores estén bien colocados y asegurados. Cambie las piezas que estén quebradas, astilladas o dañadas de alguna manera. No funcione la unidad cuando ésta tenga piezas sueltas o dañadas.
- Inspeccione cuidadosamente el área antes de poner en marcha la unidad. Retire todos los desechos y objetos duros o filosos tales como vidrio, alambre, etc.
- Aleje a todos los niños, espectadores y animales domésticos. Mantenga todos los niños, espectadores y animales domésticos a un radio de por lo menos 15 m (50 pies) ; aún así puede existir un riesgo de objetos despedidos contra los espectadores. Los espectadores deben usar protección para sus ojos. Si alguien se le acerca, pare la unidad inmediatamente.

### ADVERTENCIAS DE SEGURIDAD PARA UNIDADES A GASOLINAS



**ADVERTENCIA:** La gasolina es muy inflamable y sus gases pueden explotar si se encienden. Tome las siguientes precauciones:

- Guarde el combustible en envases que hayan sido diseñados y aprobados para el almacenamiento de dichos materiales.
- Evite crear una fuente de encendido por combustible derramado. No arranque el motor hasta que se hayan disipado los vapores del combustible.
- Apague siempre el motor y espere que se enfríe. No retire nunca la tapa del tanque de combustible ni cargue combustible mientras el motor esté caliente. Nunca opere la unidad sin la tapa del combustible colocada firmemente en su lugar. Afloje la tapa del combustible lentamente para disipar la presión del tanque.
- Agregue el combustible en una zona limpia, bien ventilada y al aire libre, donde no haya chispas ni llamas. Quite lentamente la tapa del combustible sólo después de apagar el motor. No fume mientras carga o mezcla el combustible. Limpie de inmediato todo el combustible que se haya derramado. Seque siempre la unidad con un trapo antes de usarla.
- Aleje la unidad a por lo menos 9,1 m (30 pies) del lugar de carga de combustible antes de arrancar el motor. No fume. Mantenga las chispas y las llamas abiertas lejos del área mientras carga el combustible u opera la unidad.

# NORMAS PARA UNA OPERACIÓN SEGURA

## DURANTE LA OPERACIÓN

- No arranque ni opere la unidad en un cuarto o edificio cerrado. Los gases de escape de monóxido de carbono pueden ser letales en un área cerrada. Opere esta unidad sólo en un área exterior bien ventilada.
- Para reducir el riesgo de lesiones asociadas con los objetos lanzados, utilice gafas de protección que tengan una marca de clasificación normativa ANSI Z87.
- Nunca haga funcionar la unidad sin que ésta tenga conectado el equipo apropiado. Cuando use esta unidad, instale siempre los tubos de la sopladora.
- Para reducir el riesgo de pérdida auditiva asociada con los niveles de sonido, use siempre protección para las orejas / oídos cuando haga funcionar esta unidad.
- Use pantalón largos y gruesos, botas y guantes. No use pantalones cortos, sandalias ni ande descalzo.
- Para evitar el choque de electricidad estática, no se ponga guantes de caucho o guantes aislados mientras haga funcionar esta unidad.
- Para reducir el riesgo de lesión asociada con objetos que sean atraídos hacia las piezas que giran, no use ropa suelta, joyas, bufandas ni cosas parecidas. Asegúrese el cabello por encima del nivel de los hombros.
- Use una máscara para la cara o contra el polvo si el trabajo es polvoriento. Se recomiendan las camisas de manga larga.
- Use la unidad únicamente con la luz del día o con buena luz artificial.
- Mantenga las superficies exteriores libres de aceite y combustible.
- Evite arrancar la unidad accidentalmente. Colóquese en posición de inicio siempre que tire de la cuerda de arranque. El operador y la unidad deben estar en una posición estable al comenzar. Lea las *Instrucciones de Arranque y Apagado*.
- No ponga la unidad sobre ninguna superficie excepto sobre una superficie que esté limpia y que sea sólida, cuando el motor esté prendido. Los desechos tales como la grava, arena, polvo, césped, etc., pueden ser absorbidos por la toma de aire y ser lanzados por la abertura de descarga, causándole daños a la unidad, propiedad o causándole lesiones graves a los espectadores o al operario.
- Use la herramienta adecuada. Solamente use esta herramienta para la tarea que ha sido diseñada.
- No fuerce la unidad. Hará mejor el trabajo y con menos probabilidad de lesión bajo la tasa de funcionamiento que fue diseñada.
- No alcance más de la cuenta ni la use desde superficies inestables tales como escaleras, árboles, lomas muy inclinadas, techos, etc. Observe siempre una posición firme y balanceada.
- Sostenga siempre la unidad con ambas manos mientras esté en funcionamiento.
- Mantenga las manos, la cara y los pies lejos de todas las partes móviles. No toque ni intente detener el rotor cuando esté girando. No la haga funcionar sin los protectores puestos en su lugar.
- Apague siempre el motor cuando demore la operación o mientras camina de un lugar hacia otro.
- No ponga ningún objeto en las aberturas. No la use cuando cualquier abertura esté bloqueada, manténgalas libres de mugre, desechos o cualquier cosa que pueda reducir el flujo de aire.
- No toque el motor, o el silenciador. Estas partes se calientan mucho con la operación. Luego de apagar la unidad, permanecen calientes durante un tiempo breve.
- No opere el motor a una velocidad mayor que la necesaria para hacer el trabajo. No haga funcionar el motor a alta velocidad mientras no lo está usando.
- Pare el motor para hacerle mantenimiento, reparaciones, para instalar o quitarle los tubos de soplado. La unidad debe parar y el rotor no debe estar girando, para evitar contacto con las cuchillas que giran.
- Use sólo piezas y accesorios de repuesto del fabricante del equipo original para esta unidad. Puede obtenerlos en su proveedor de servicio autorizado. El uso de piezas y accesorios que no son equipo original; puede causar graves lesiones al operador o el daño de su unidad, y la cancelación de su garantía.
- Nunca use esta unidad para regar productos químicos, fertilizantes u otras sustancias que puedan contener sustancias tóxicas.
- Para reducir el riesgo de incendio, cambie los silenciadores y parachispas defectuosos, mantenga el motor y el silenciador libre de pasto, hojas, grasa excesiva o acumulaciones de carbono.
- Nunca apunte la sopladora hacia a la gente, mascotas o ventanas. Dirija siempre el soplado de desechos lejos de la gente, animales y ventanas. Tenga mucho cuidado cuando sople desechos cerca de objetos sólidos como árboles, automóviles, paredes, etc.

## OTRAS ADVERTENCIAS DE SEGURIDAD

- Desconecte la bujía en todo momento antes de hacerle mantenimiento o alcanzar las piezas móviles.
- Nunca guarde la unidad con combustible en el tanque dentro de un edificio en donde los gases puedan alcanzar una llama expuesta (pilotos, etc) o chispas (interruptores, motores eléctricos, etc.)
- Permita que el motor se enfríe antes de guardarla o transportarla. Asegúrese de sujetar la unidad mientras la transporta.
- Guarde la unidad en un lugar seco, bien sea bajo llave o suficientemente alto para que evite el uso no autorizado o daños. Manténgala fuera del alcance de los niños.
- Nunca remoje o chorree la unidad con agua o cualquier otro líquido. Mantenga los mangos secos, limpios y libres de escombros. Límpiela después de cada uso, vea las *Instrucciones de Limpieza y Almacenamiento*.
- Conserve estas instrucciones. Consúltelas con frecuencia y úselas para instruir a otros usuarios. Si le presta esta unidad a otras personas, también incluya las instrucciones.

**CONSERVE ESTAS  
INSTRUCCIONES**



# NORMAS PARA UNA OPERACIÓN SEGURA

## SIMBOLOS DE SEGURIDAD E INTERNACIONALES

Este manual del operador describe los símbolos y figuras de seguridad e internacionales que pueden aparecer en este producto. Lea el manual del operador para obtener información completa acerca de la seguridad, ensamble, operación y mantenimiento y reparación.

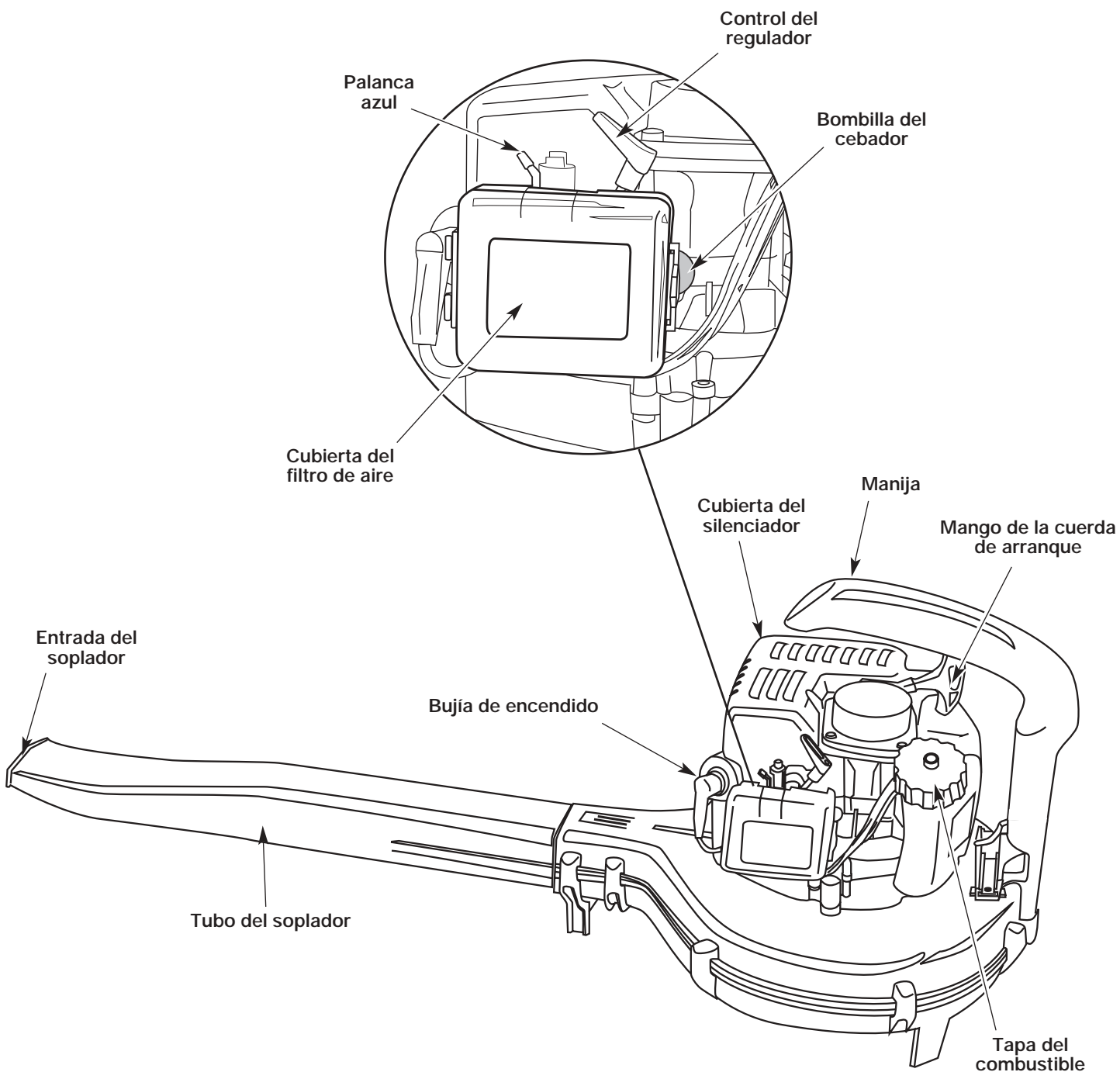
SIMBOLO	SIGNIFICADO	SIMBOLO	SIGNIFICADO
	<ul style="list-style-type: none"> <li>• <b>SIMBOLO DE ALERTA DE SEGURIDAD</b></li> </ul> <p>Indica peligro, advertencia o precaución. Puede ser utilizado junto con otros símbolos o figuras.</p>		<ul style="list-style-type: none"> <li>• <b>CONTROL DE ENCENDIDO Y APAGADO</b></li> </ul> <p>ENCENDIDO /ARRANQUE /MARCHA</p>
	<ul style="list-style-type: none"> <li>• <b>ADVERTENCIA - LEA EL MANUAL DEL OPERADOR</b></li> </ul> <p>Lea el manual del operador y siga todas las advertencias e instrucciones de seguridad. De no hacerlo, el operador y/o los espectadores pueden sufrir graves lesiones.</p>		<ul style="list-style-type: none"> <li>• <b>CONTROL DE ENCENDIDO Y APAGADO</b></li> </ul> <p>APAGADO o PARADO</p>
	<ul style="list-style-type: none"> <li>• <b>USE PROTECCION OCULAR Y AUDITIVA</b></li> </ul> <p><b>ADVERTENCIA :</b> Los objetos arrojados por la unidad y el ruido fuerte pueden causar graves lesiones oculares y pérdida auditiva. Utilice protección ocular que cumpla con las normas ANSI Z87.1 y protección auditiva cuando opere esta unidad. Use una careta completa cuando la necesite.</p>		<ul style="list-style-type: none"> <li>• <b>ADVERTENCIA DE SUPERFICIE CALIENTE</b></li> </ul> <p>No toque un silenciador ni un cilindro caliente. Puede quemarse. Estas partes se calientan mucho con el uso. Luego de apagarse permanecen calientes durante un corto tiempo.</p>
	<ul style="list-style-type: none"> <li>• <b>MANTENGA ALEJADOS A LOS ESPECTADORES</b></li> </ul> <p><b>ADVERTENCIA :</b> Mantenga a todos los espectadores, en especial a niños y animales domésticos a por lo menos 50 pies (15 m) del área de corte.</p>		<ul style="list-style-type: none"> <li>• <b>BOMBILLA DEL CEBADOR</b></li> </ul> <p>Oprima la bombilla del cebador completa y lentamente, de 10 veces.</p>
	<ul style="list-style-type: none"> <li>• <b>COMBUSTIBLE SIN PLOMO</b></li> </ul> <p>Use siempre combustible limpio, nuevo y sin plomo.</p>		<ul style="list-style-type: none"> <li>• <b>LAS SOPLADORAS- CUCHILLAS GIRATORIAS DEL ROTOR PUEDEN CAUSAR LESIONES GRAVES</b></li> </ul> <p><b>ADVERTENCIA:</b> Pare el motor y permita que el rotor se detenga antes de instalar o cambiar tubos o la bolsa, o antes de limpiar o hacerle cualquier mantenimiento.</p>
	<ul style="list-style-type: none"> <li>• <b>INDICADOR DE ACEITE</b></li> </ul> <p>Consulte el manual del operador para obtener información acerca del tipo correcto de aceite.</p>		<ul style="list-style-type: none"> <li>• <b>CONTROL DEL REGULADOR</b></li> </ul> <p>Indica la velocidad "ALTA" o "MAS RAPIDA"</p>
	<ul style="list-style-type: none"> <li>• <b>LOS OBJETOS DESPEDIDOS Y LA CUCHILLA ROTATIVA PUEDEN CAUSAR GRAVES LESIONES</b></li> </ul> <p><b>ADVERTENCIA:</b> Manténgase alejado de la salida del soplador. Nunca dirija el soplador hacia usted mismo ni hacia los demás. Los objetos pueden salir despedidos del soplador. No opere esta unidad sin los accesorios y protecciones adecuados en su lugar.</p>		<ul style="list-style-type: none"> <li>• <b>CONTROL DEL REGULADOR</b></li> </ul> <p>Indica la velocidad "MINIMA" "BAJA" o "MAS BAJA"</p>

# NORMAS PARA UNA OPERACIÓN SEGURA

## CONOZCA SU UNIDAD


### APLICACIÓN

- Limpieza de jardines, cocheras, entradas de automóviles, pórticos, patios, alrededor de paredes, cercos, etc.



# INSTRUCCIONES DE ENSAMBLAJE

## INSTALE Y QRITE EL TUBO DEL SOPLADOR

 **ADVERTENCIA:** Para evitar graves lesiones personales, apague el motor y espere que el propulsor se detenga antes de conectar o retirar los tubos.

 **ADVERTENCIA:** Para evitar graves lesiones personales y el daño de la unidad, el tubo del soplador debe estar instalado mientras opere esta unidad como un soplador.

### Instalación

Para instalar el tubo del soplador, basta con empujarlo en la caja del soplador. Empújelo hacia adentro hasta que las lengüetas de la parte superior e inferior de la caja se deslicen dentro de los retenes del tubo del soplador (Fig. 1).

### Remoción

Para quitar el tubo del soplador, use un destornillador de punta plana para levantar las lengüetas y sacar el tubo de la caja del soplador halándolo hacia afuera (Fig. 1).

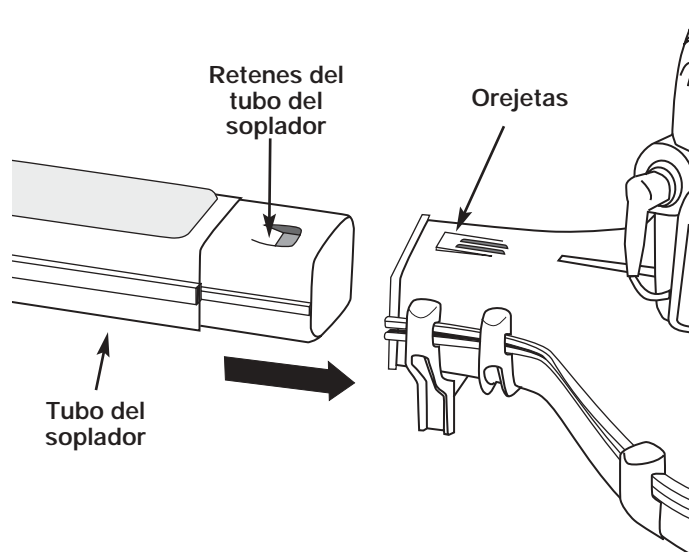


Fig. 1

# INFORMACION DEL ACEITE Y DEL COMBUSTIBLE

## INSTRUCCIONES PARA MEZCLAR EL ACEITE Y EL COMBUSTIBLE

El combustible viejo o mal mezclado son los motivos principales del mal funcionamiento de la unidad. Asegúrese de usar combustible nuevo, limpio y sin plomo. Siga las instrucciones en detalle para mezclar correctamente el aceite y el combustible.

### Definición de los combustibles de mezcla

Los combustibles actuales con frecuencia son una mezcla de gasolina y oxigenantes como por ejemplo etanol, metanol o MTBE (éter). El combustible mezclado con alcohol absorbe agua. Una cantidad tan pequeña como el 1% de agua en el combustible puede causar la separación del combustible y el aceite. Forma ácidos cuando está almacenado. Cuando use combustible mezclado con alcohol, use combustible nuevo (de menos de 60 días).

### Uso de combustibles de mezcla

Si usted opta por usar un combustible de mezcla o si su uso es inevitable, tome las precauciones recomendadas.

- Use siempre una mezcla fresca de combustible según lo indica su manual del operador.
- Agite siempre la mezcla de combustible antes de cargarlo en la unidad.
- Drene el tanque y haga funcionar el motor en seco antes de guardar la unidad.

### Uso de aditivos en el combustible



La botella de aceite de 2 ciclos que vino con su unidad contiene un aditivo en el combustible que ayudará a inhibir la corrosión y a reducir la formación de depósitos de goma. Se recomienda que use sólo el aceite de 2 ciclos con esta unidad.

Si es inevitable, use un buen aceite de 2 ciclos elaborado para motores enfriados por aire junto con un aditivo para el combustible como por ejemplo el estabilizador de gasolina STA-BIL® o similar. Agregue 23 mL (0,8 onzas) de aditivo de combustible por galón de combustible de acuerdo con las instrucciones del envase. NUNCA agregue aditivos directamente en el tanque de combustible de la unidad.

	<b>PRECAUCION:</b> Para que el motor funcione correctamente y con la mayor fiabilidad, preste mucha atención a las instrucciones de mezcla de aceite y combustible del envase de aceite de 2 ciclos. El uso de combustible mezclado en forma incorrecta puede dañar seriamente el motor.
---	--

Mezcle bien la proporción correcta de aceite para motor de 2 ciclos y gasolina sin plomo en una lata de combustible por separado. Use una proporción de 40:1 de combustible y aceite. No los mezcle directamente en el tanque de combustible de la unidad. Consulte las proporciones específicas de mezcla de gasolina y aceite en la tabla siguiente.

**NOTA:** 3,8 litros (un galón) de gasolina sin plomo mezclada con una botella de 95 mL (3,2 onzas) de aceite de 2 ciclos es una proporción de 40:1 de combustible y aceite.

	+	
<b>GASOLINA SIN PLOMO</b>		<b>ACEITE DE 2 CICLOS</b>
<b>3,8 LITROS (1 GALON de EE.UU.)</b>		<b>95 mL (3,2 ONZAS FLUIDAS)</b>
<b>1 LITRO</b>		<b>25 mL</b>

**PROPORCION DE LA MEZCLA = 40 : 1**

	<b>ADVERTENCIA:</b> La gasolina es muy inflamable. Los gases pueden explotar si se encienden. Apague siempre el motor y espere que se enfríe antes de cargar el tanque de combustible. No fume mientras llena el tanque. Mantenga las chispas y las llamas lejos del área.
---	--

	<b>ADVERTENCIA:</b> Saque la tapa del combustible lentamente para evitar lesionarse con el rociado del combustible. No opere nunca la unidad sin la tapa del combustible firmemente colocada en su lugar.
---	---

	<b>ADVERTENCIA:</b> Cargue el combustible en un área exterior limpia y bien ventilada. Limpie de inmediato todo combustible que se haya derramado. Evite crear una fuente de encendido con el combustible derramado. No arranque el motor hasta que se hayan evaporado los gases del combustible.
---	---

**NOTA:** Elimine la mezcla vieja de aceite y combustible de acuerdo con los reglamentos federales, estatales y locales.

# INSTRUCCIONES DE ARRANQUE Y APAGADO



**ADVERTENCIA:** Use esta unidad sólo en un área exterior bien ventilada. Los gases de escape de monóxido de carbono pueden ser letales en un área cerrada.



**ADVERTENCIA:** Evite los arranques accidentales. Esté en posición de arranque cuando hale la cuerda (Fig. 4).

Tampoco ponga la unidad sobre ninguna superficie excepto sobre una superficie limpia y sólida, mientras se pone en marcha. Los desechos tales pueden ser absorbidos por la toma de aire y ser lanzados por la abertura de descarga, causándole daños a la unidad, propiedad o causándole lesiones graves a los espectadores o al operador.

## INSTRUCCIONES DE ARRANQUE

1. Mezcle la gasolina con el aceite. Llene el tanque de combustible con la mezcla de combustible / aceite. Vea las *Instrucciones para Mezcla de Aceite y Combustible*.
2. Oprima completamente el cebador y suéltelo 10 veces. Hágalo lentamente. Se deberá ver un poco de **combustible en el cebador** y en las tuberías de alimentación de combustible. Si no puede ver el combustible en el cebador, oprímalo y suéltelo tantas veces como sea necesario hasta que vea combustible en el mismo.
3. Coloque la palanca azul en Posición 1 (Fig. 3).
4. Ponga la unidad en la posición de arranque (Fig. 4). Coloque el control del regulador en la posición de **RÁPIDA** (👉) (Fig. 2).
5. Tire del cordón de arranque hasta 3 veces.
6. Coloque la palanca azul en Posición 2.
7. Tire de la cuerda de arranque rápidamente de 1 a 6 veces para arrancar el motor.
8. Deje que el motor se caliente durante 15 a 30 segundos. La unidad está lista para usarse.

**SI...** El motor no arranca, regrese al paso 2.

**SI...** El motor no arranca después de varios intentos, coloque la palanca azul en la Posición 2 y coloque el control del regulador en la posición de **RÁPIDA** (👉). Hale la cuerda del arranque con fuerza de 3 a 8 veces. El motor deberá arrancar. Si no sucede así, repita el procedimiento.

**SI SE CALIENTA...** El motor ya está caliente, arranque la unidad con la palanca azul en la Posición 2.

## INSTRUCCIONES DE APAGADO

1. Para apagar el soplador, mueva la palanca de control del regulador todo hacia la derecha, más allá de la posición de baja en vacío (👈) hasta que sienta un clic. Cerciérese de mover la palanca hasta el retén de la extrema derecha para apagar la unidad (Fig. 2).

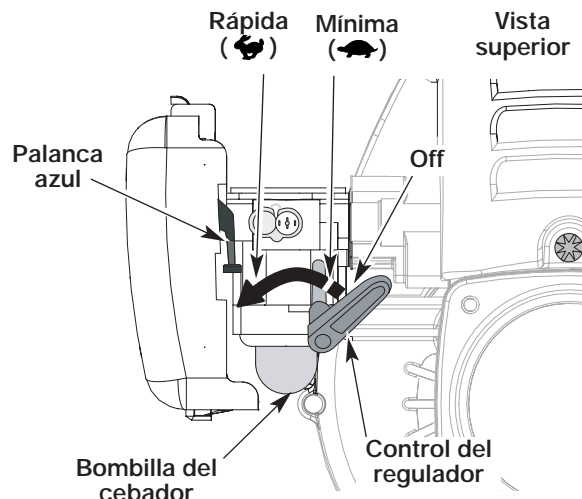


Fig. 2

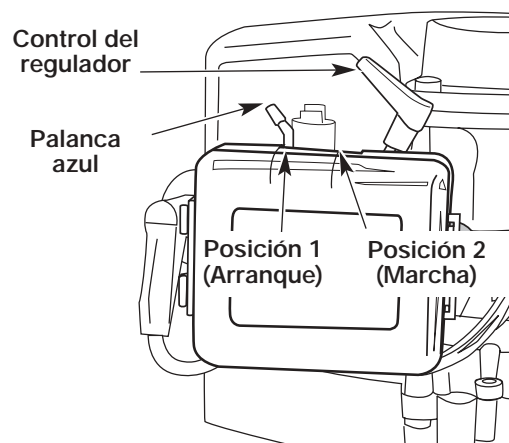


Fig. 3

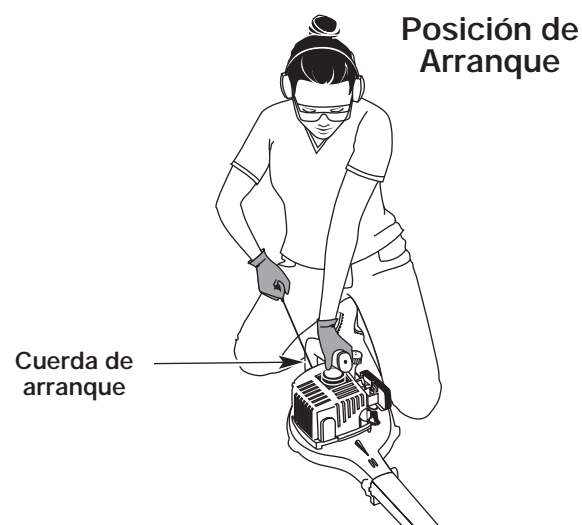


Fig. 4

# INSTRUCCIONES DE OPERACIÓN

## SOSTENIMIENTO DE LA SOPLADORA

Antes de operar esta unidad, párese en la posición de operación. Verifique lo siguiente:

- El operador está vestido con la ropa apropiada tal como botas, gafas de protección, protección auditiva, guantes, pantalones largos y camisa de manga larga.
- Si las condiciones son polvorientas, el operador lleva puesta una máscara.



**ADVERTENCIA:** Para evitar lesiones personales graves, póngase gafas de seguridad en todo momento cuando maneje esta unidad. Póngase una máscara o máscara para polvo en sitios que sean polvorientos.

- La unidad se encuentra en buen estado de funcionamiento.
- Los tubos y protectores están puestos y asegurados en su lugar.



**ADVERTENCIA:** Asegúrese que los tubos de soplado estén en su lugar antes de operar la unidad, para evitar causarse lesiones personales graves o causárselas a otras personas, u ocasionarle daños a la unidad.

## CONSEJOS ÚTILES SOBRE LA OPERACIÓN

- Asegúrese que la unidad no apunte hacia desechos sueltos o personas antes de ponerla en marcha.
- Compruebe que la unidad se encuentre en buen estado de funcionamiento. Verifique que los tubos y protectores estén puestos y asegurados en su lugar.
- Se recomienda sostener la unidad con ambas manos cuando maneje la sopladora a la altura de la cintura o en ángulos incómodos.
- Se requiere el uso de protección auditiva para reducir el riesgo de pérdida auditiva asociada con los niveles de sonido.
- Opere el equipo solamente durante horas razonables — no muy temprano en las mañanas ni muy tarde en las noches, cuando la gente se pueda molestar. Acate las horas detalladas en las ordenanzas locales. La recomendación usual es de 9:00 am a 5:00 pm, de lunes a sábado.
- Limite el número de equipos que se usen simultáneamente, para reducir los niveles de ruido.
- Opere las sopladoras motorizadas a la menor velocidad posible, para hacer el trabajo y reducir los niveles de ruido.
- Verifique el estado del equipo antes del funcionamiento, especialmente el tubo de escape, tomas de aire y filtros de aire.
- Use rastrillos y escobas para esparcir los desechos antes de soplarlos.
- Remoje ligeramente las superficies o use un aditamento para rociar cuando haya agua disponible y se encuentre bajo condiciones polvorientas.
- Conserve agua mediante el uso de sopladoras motorizadas en vez de usar mangueras para muchas de las aplicaciones de prados y ajardinado, incluyendo áreas tales como canales, mallas, patios, parrillas, pórticos y jardines.

- Tenga cuidado con los niños, animales domésticos, ventanas abiertas y automóviles recién lavados, y sople los desechos en forma segura.
- Limpie después de usar las sopladoras y otros equipos. Deposite los desechos en recipientes para la basura.

## PROCEDIMIENTO DE OPERACIÓN PARA LA SOPLADORA

- 1 Use la sopladora para árboles, arbustos, macizos de flores y zonas de limpieza difícil (Fig. 5).
2. Use la unidad alrededor de edificios y para otras limpiezas normales (Fig. 6).
3. Use la sopladora para paredes, salientes, cercas y mallas .



Fig. 5



Fig. 6

# INSTRUCCIONES DE MANTENIMIENTO Y REPARACIÓN

**NOTA:** Algunos procedimientos de mantenimiento pueden requerir el uso de herramientas o habilidades especiales. Si no está seguro acerca de estos procedimientos, lleve su unidad a un establecimiento de reparación, persona o distribuidor de servicio autorizado que arregle motores para uso fuera de la carretera.

**NOTA:** El mantenimiento, la sustitución o arreglo de dispositivos para el control de emisiones y sistemas pueden ser hechos por cualquier establecimiento de reparación, persona o proveedor de servicio autorizado que arregle motores para uso fuera de la carretera.

## PROGRAMA DE MANTENIMIENTO

Estos procedimientos requeridos para el mantenimiento deben ser realizados con la frecuencia indicada en la tabla. Deben ser incluidos como parte de toda puesta a punto de cada temporada.



**ADVERTENCIA:** Para evitar lesiones personales graves, nunca realice mantenimiento ni reparaciones con la unidad funcionando. Realice siempre el mantenimiento y las reparaciones con la unidad fría. Desconecte el cable de la bujía de encendido para cerciorarse de que la unidad no arrancará.

A fin de garantizar el máximo desempeño del motor, puede ser necesario inspeccionar la lumbrera de escape del motor después de 50 horas de funcionamiento. Si usted observa pérdida de RPM, funcionamiento deficiente o falta general de aceleración, es posible que sea necesario realizar este mantenimiento. Si usted considera que su motor necesita esta inspección, haga que un establecimiento de reparación, persona o proveedor de servicio autorizado que arregle motores para uso fuera de la carretera le preste el servicio. **NO** intente realizar este proceso usted mismo ya que puede ocasionar daños al motor producto de los contaminantes que se encuentran en el proceso de limpieza de la lumbrera.

FRECUENCIA	MANTENIMIENTO REQUERIDO	CONSULTE
Antes de arrancar el motor	Llene el tanque de combustible con la mezcla correcta de aceite y combustible	Página E8
Cada 10 horass	Limpie y vuelva a aceitar el filtro de aire	Página E11
Cada 25 horass	Examine el parachispas y límpiolo Inspeccione la condición y la separación de la bujía de encendido	Página E12 Página E13
Cada 50 horas	Inspeccione si la lumbrera de escape y la rejilla del parachispas están tupidas u obstruidas para garantizar los niveles máximos de rendimiento	Página E12

## MANTENIMIENTO DEL FILTRO DE AIRE



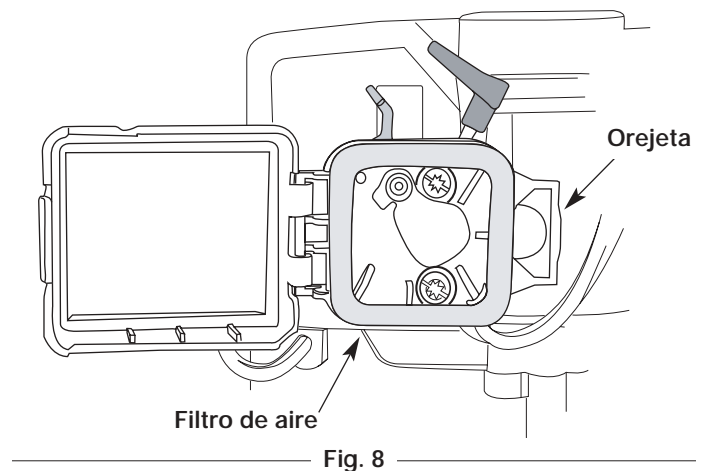
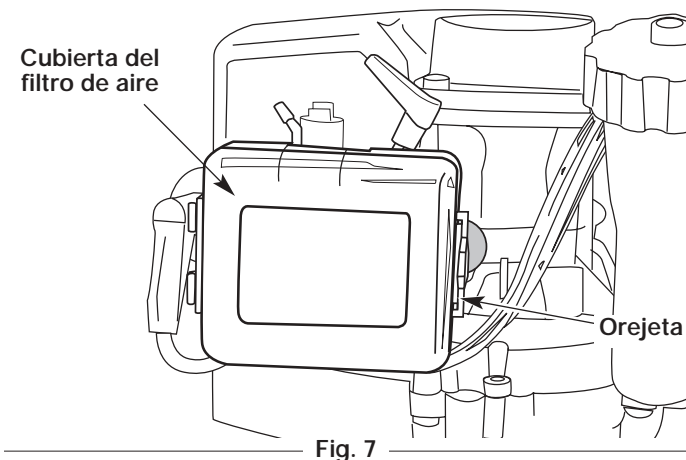
**ADVERTENCIA:** Para evitar lesiones personales graves, apague siempre su recortador y espere que se enfríe antes de limpiarlo o realizar todo tipo de mantenimiento.

Limpie y vuelva a aceitar el filtro de aire cada 10 horas de operación. Es un elemento importante del mantenimiento. No mantener el filtro de aire CANCELARÁ la garantía.

1. Quite la tapa del carburador/filtro de aire empujando la lengüeta, situada a la derecha de la tapa (Fig. 7).
2. Gire la tapa del filtro de aire para abrirla. Girará en las bisagras ubicadas a la izquierda de la tapa (Fig. 8).

3. Saque el filtro de aire (Fig. 8).
4. Lave el filtro en detergente y agua. Enjuague el filtro completamente y déjelo que se seque (Fig. 9)
5. Aplique suficiente aceite de motor limpio SAE 30 para apenas recubrir el filtro (Fig. 10).
6. Apriete el filtro para desparramar y eliminar el exceso de aceite (Fig. 11).
7. Vuelva a instalar el filtro y la cubierta del filtro de aire (Fig. 7).

**NOTA:** Si la unidad funciona sin el filtro de aire, CANCELARÁ la garantía.



# INSTRUCCIONES DE MANTENIMIENTO Y REPARACIÓN

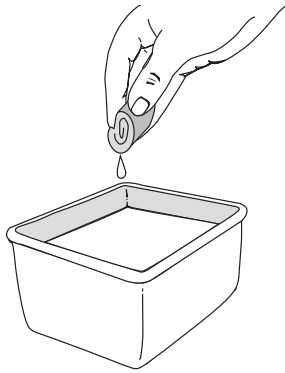


Fig. 9

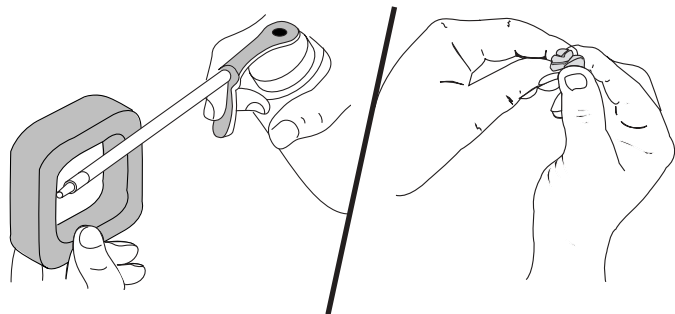


Fig. 10

Fig. 11

## MANTENIMIENTO DEL PARACHISPAS



**ADVERTENCIA:** Para evitar graves lesiones personales, apague siempre su recortador y espere que se enfríe antes de limpiarlo o realizar todo tipo de mantenimiento.

1. El parachispas está situado en el silenciador, debajo de la tapa del motor. Mirando a la unidad desde el frente, el silenciador y el parachispas están situados a la izquierda (Fig. 12).
2. Para acceder al silenciador y al parachispas, deberá quitar la tapa del motor. Usando un destornillador torx T-25 o un destornillador de punta plana, quite los cinco tornillos del motor que se muestran en la Figura 13.

**NOTA:** Tendrá que sacar la bujía para acceder a uno de los tornillos de la tapa del motor (Tornillo 5) (Fig. 13).

3. Una vez que se haya quitado la tapa del motor, el termoprotector del silenciador estará visible. Quite los tres tornillos del protector con un destornillador de estrias. Después quite y guarde el termoprotector para que se vea el silenciador.
4. Quite los tres tornillos restantes que sujetan la placa deflectora del silenciador al silenciador. Quite también los dos pernos. Use un destornillador de estrias para los tornillos y un destornillador torx T-25 para los pernos del silenciador (Fig. 14).
5. Quite el parachispas y límpielo con un cepillo de alambre. Reemplácelo si está dañado o si no puede limpiarlo minuciosamente.
6. Reinstale el parachispas y conecte de nuevo la placa deflectora del silenciador con los pernos y los tornillos.

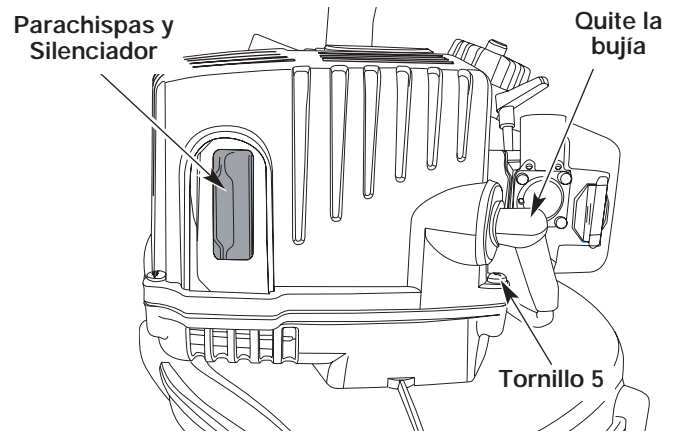


Fig. 12

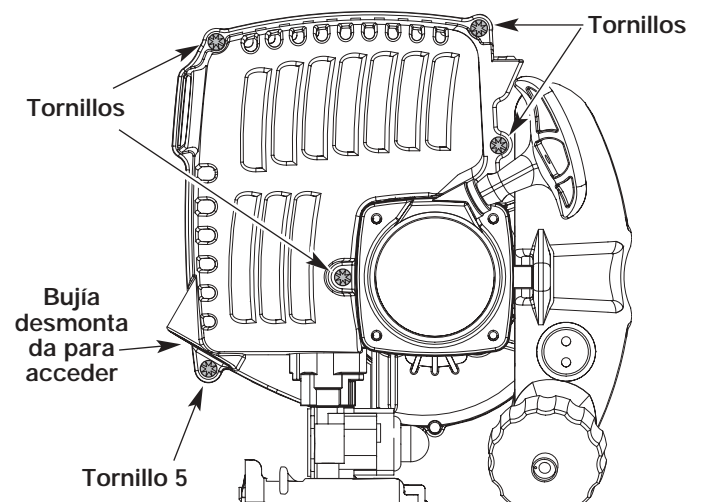


Fig. 13

7. Reinstale el termoprotector usando los tres tornillos.
8. Ponga de nuevo la tapa del motor y reinserte los cinco tornillos.
9. Conecte de nuevo la bujía.

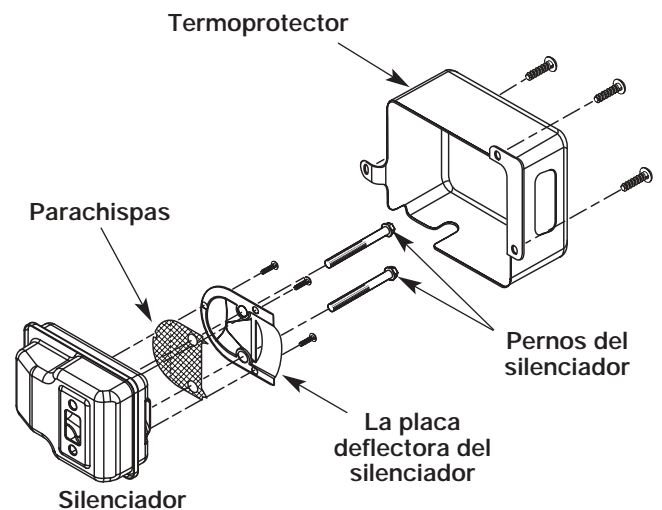


Fig. 14



# INSTRUCCIONES DE MANTENIMIENTO Y REPARACIÓN

## CAMBIO DE LA BUJÍA DE ENCENDIDO

Use una bujía de encendido Champion RDJ7Y (o similar). La separación correcta es de **0,5 mm (0,020 pulgadas)**. Retire la bujía luego de cada **25 horas** de operación e inspeccione su estado.

1. Apague el motor y espere que se enfríe. Tome el alambre de la bujía con firmeza y sáquelo de la bujía de encendido.
2. Limpie alrededor de la bujía de encendido. Saque la bujía de encendido de la cabeza del cilindro girando una llave de casquillo de 16 mm (5/8) de pulgada en sentido antihorario.



**PRECAUCIÓN:** No limpie con chorro de arena, ni raspe ni limpie los electrodos. El motor podría dañarse si penetran pequeñas partículas en el cilindro.

3. Cambie las bujías que estén rajadas, sucias o deterioradas. Fije la separación de aire a **0,5 mm (0,020 pulgadas)** utilizando un calibrador (Fig. 15).
4. Instale una bujía de encendido con la separación correcta en la cabeza del cilindro. Ajuste girando la llave de casquillo de 16 mm (5/8 pulg.) en sentido horario hasta que esté ajustada sin huelgo.

Si usa una llave de torsión, ajuste a:  
**12,3-13,5 N•m (110-120 pulg. • libras).**  
**No ajuste demasiado.**

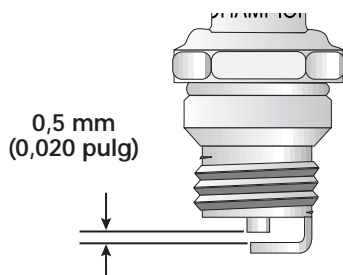



Fig. 15

## LIMPIEZA



**ADVERTENCIA:** Para evitar graves lesiones personales, apague siempre su unidad y espere que se enfríe antes de limpiarlo o realizar cualquier tipo de mantenimiento.

Use un cepillo pequeño para limpiar la parte exterior de la unidad. No use detergentes fuertes. Los limpiadores domésticos que contienen aceites aromáticos como pino y limón, y con solventes como el queroseno pueden dañar el bastidor de plástico y la manija. Seque toda la humedad con un paño suave.

## ALMACENAMIENTO

- No guarde nunca la unidad con combustible en el tanque donde los vapores puedan llegar a una llama o chispa.
- Espere que el motor se enfríe antes de guardar la unidad.
- Guarde la unidad bajo llave para prevenir el uso por personas no autorizadas y daños.
- Guarde la unidad en un área seca y bien ventilada.
- Guarde la unidad fuera del alcance de los niños.

## ALMACENAMIENTO PROLONGADO

Si planea guardar la unidad durante un largo período de tiempo, siga el siguiente procedimiento para su almacenamiento.

1. Drene todo el combustible del tanque de combustible en un recipiente que contenga la misma mezcla de combustible de 2 ciclos. No use combustible que haya permanecido guardado durante más de 60 días. Deseche la mezcla vieja de combustible y aceite de acuerdo a las regulaciones federales, estatales y locales.
  2. Arranque el motor y déjelo funcionar hasta que se ahogue. Esto asegura que todo el combustible ha sido drenado del carburador.
  3. Espere que el motor se enfríe. Retire la bujía de encendido y coloque alrededor de 30 mL (1 onza) de cualquier aceite para motor de 2 ciclos buena calidad dentro del cilindro. Tire de la cuerda de arranque lentamente para esparcir el aceite. Vuelva a instalar la bujía de encendido.
- NOTA:** Saque la bujía de encendido y drene todo el aceite del cilindro antes de intentar arrancar el recortador después de su almacenamiento.
4. Limpie bien la unidad e inspeccione para ver si existen partes flojas o dañadas. Repare o cambie las partes dañadas y ajuste los tornillos, tuercas o pernos que puedan estar flojos. La unidad está ahora lista para ser guardada.

## TRANSPORTE

- Espere que el motor se enfríe antes de transportar
- Asegure la unidad durante su transporte.
- Drene el combustible de la unidad.
- Ajuste la tapa del combustible antes de transportar.

## ACCESORIOS Y PIEZAS DE REPUESTO

Aceite de 2 ciclos . . . . .	147543
Bujía de encendido . . . . .	610311
Tapa del combustible . . . . .	180000

Para piezas de repuesto específicas, consulte la lista de piezas ubicada en la parte interior de la cubierta posterior de este manual.

# RESOLUCIÓN DE PROBLEMAS

## EL MOTOR NO ARRANCA

### CAUSA

El obturador está en la posición incorrecta  
El tanque de combustible está vacío  
La bombilla de cebado no fue oprimida lo suficiente  
  
El motor está inundado  
  
El combustible es viejo o está mal mezclado  
  
La bujía de encendido está arruinada  
Parachispas obstruido

### ACCIÓN

Consulte las instrucciones de Arranque / Apagado  
Llene el tanque con combustible bien mezclado  
Oprima la bombilla de cebado total y lentamente de 10 veces hasta que el combustible se vea en la perilla  
Use el procedimiento de arranque SIN USAR EL OBTURADOR  
Drene el tanque de gasolina / Agregue mezcla de combustible nueva  
Cambie o limpie la bujía de encendido  
Limpie o cambie el parachispas

## EL MOTOR NO FUNCIONA EN MARCHA EN VACÍO

### CAUSA

El combustible es viejo o está mal mezclado  
  
El filtro de aire está sucio

### ACCIÓN

Drene el tanque de gasolina / Agregue mezcla de combustible nueva  
Limpie o cambie el filtro de aire

## EL MOTOR NO ACELERA

### CAUSA

El combustible es viejo o está mal mezclado  
  
El filtro de aire está sucio  
Parachispas obstruido

### ACCIÓN

Drene el tanque de gasolina / Agregue mezcla de combustible nueva  
Limpie o cambie el filtro de aire  
Limpie o cambie el parachispas

## EL MOTOR NO TIENE SUFICIENTE POTENCIA O SE AHOGA AL CORTAR

### CAUSA

El combustible es viejo o está mal mezclado  
  
El filtro de aire está obstruido  
La bujía de encendido está arruinada  
Parachispas obstruido

### ACCIÓN

Drene el tanque de gasolina / Agregue mezcla de combustible nueva  
Limpie o cambie el filtro de aire  
Cambie o limpie la bujía de encendido  
Limpie o cambie el parachispas

Si necesita asistencia adicional, comuníquese con su proveedor de servicio autorizado.

# ESPECIFICACIONES

## MOTOR\*

Tipo de motor.....	Enfriado por aire, de 2 ciclos
Desplazamiento.....	25 cc
R.P.M. de operación .....	7.800 - 9.200 r.p.m.
R.P.M. de velocidad mínima .....	2.600 - 5.200 r.p.m.
Tipo de encendido .....	Electrónico
Control de apagado On/Off.....	Conmutador de cierre del regulador
Separación de la bujía de encendido.....	0,5 mm (0,020 pulg.)
Lubricación.....	Mezcla de combustible y aceite
Proporción de combustible y aceite .....	40:1
Carburador .....	Diafragma, multiposicional
Arranque.....	Rebobinado automático
Silenciador .....	Desviado con protección
Capacidad del tanque de combustible .....	207 mL (7 onzas)

## SOPLADOR\*

Control del regulador .....	Palanca
Velocidad del soplador .....	290 km/h (180 m/h)
Salida de aire del soplador.....	hasta 99 m <sup>3</sup> /min (325 cfm)
Masa (sin combustible, con el tubo del soplador) .....	4 kg (9 libras)

\*Toda las especificaciones contenidas en este manual se basan en la información más reciente disponible en el momento de impresión del manual. Nos reservamos el derecho de hacer cambios en cualquier momento sin aviso previo.

## **Declaración de Garantía de Control de Emisiones de California / EPA**

### **Sus Derechos y Obligaciones de la Garantía**

La Junta de Recursos del Aire de California, EPA (Agencia de Protección del Medio Ambiente), y MTD LLC (MTD) se complacen en explicar la garantía del sistema de control de emisiones para su pequeño motor para uso fuera de la carretera del 2000 y posterior. Los nuevos motores pequeños para uso fuera de la carretera tienen que diseñarse, construirse y equiparse para cumplir las normas contra smog más estrictas. MTD tiene que garantizar el sistema de control de emisiones de su pequeño motor para uso fuera de la carretera durante los períodos de tiempo que aparecen a continuación siempre que no haya habido abuso, negligencia o mantenimiento indebido de su motor para uso fuera de la carretera.

Su sistema de control de emisiones puede incluir piezas como el carburador y el sistema de inyección de combustible, el sistema de encendido y el convertidor del catalizador. También se pueden incluir mangueras, correas, conectores y otros conjuntos relacionados con la emisión.

Donde existan las condiciones de garantía, MTD reparará su pequeño motor para uso fuera de la carretera sin costo alguno para usted incluyendo el diagnóstico, las piezas y la mano de obra.

Los pequeños motores para uso fuera de la carretera del 2000 y posteriores, se garantizan por dos años. Si alguna pieza de su motor relacionada con la emisión está defectuosa, la pieza será reparada o reemplazada por MTD.

### **Responsabilidades de Garantía de los Propietarios**

Como propietario del pequeño motor para uso fuera de la carretera, usted es responsable de realizar el mantenimiento requerido que aparece en el manual del operador. MTD recomienda que conserve todos los comprobantes que cubren el mantenimiento de su pequeño motor para uso fuera de la carretera, pero MTD no puede negar garantía exclusivamente por la falta de comprobantes o por que usted no haya realizado todos los mantenimientos programados.

Como propietario del pequeño motor para uso fuera de la carretera, usted debe conocer que MTD puede negarle cobertura de garantía si su pequeño motor para uso fuera de la carretera o una pieza ha fallado debido a abuso, negligencia, mantenimiento inadecuado o modificaciones no aprobadas.

Usted es responsable de presentar su pequeño motor para uso fuera de la carretera a un Centro de Servicio Autorizado MTD tan pronto como exista un problema. Las reparaciones de garantía deben completarse en un periodo de tiempo razonable, el cual no deberá ser mayor de 30 días.

Si tiene alguna pregunta relacionada con los derechos y responsabilidades de la garantía, debe llamar al 1-800-345-8746.

### **Cobertura de Garantía del Fabricante**

El período de garantía comienza en la fecha en que el motor o equipo se entrega al comprador minorista.

El fabricante garantiza al propietario original y a cada comprador subsiguiente, que el motor está libre de defectos en cuanto a material y mano de obra que ocasionen la falla de una pieza bajo garantía durante un periodo de dos años.

La reparación o reemplazo de una pieza bajo garantía se llevará a cabo sin cargo alguno para el propietario en un Centro de Servicio MTD Autorizado. Para conocer el establecimiento más cercano, comuníquese con MTD llamando al: 1-800-345-8746.

Cualquier pieza bajo garantía que no esté programada para ser reemplazada, según indica el mantenimiento requerido o que esté programada solamente para inspección regular a los efectos de "Repáre o Reemplace según sea Necesario" está garantizada durante el período de garantía. Cualquier pieza bajo garantía que esté programada para ser reemplazada según indica el mantenimiento requerido tendrá garantía durante el período de tiempo hasta el primer punto de reemplazo programado para dicha pieza.

No se le cobrará al propietario la mano de obra de diagnóstico que conlleve a la determinación de que una pieza bajo garantía está defectuosa, si dicho trabajo de diagnóstico se lleva a cabo en un Centro de Servicio MTD Autorizado.

El fabricante es responsable de los daños ocasionados a otros componentes del motor producidos por la falla de una pieza bajo garantía que todavía esté bajo garantía.

Las fallas ocasionadas por abuso, negligencia o mantenimiento inadecuado no están cubiertas por la garantía.

El uso de accesorios optativos o piezas modificadas puede ser motivo justificado para no aceptar una reclamación de garantía. El fabricante no es responsable de cubrir fallas de piezas bajo garantía ocasionadas por el uso de accesorios optativos o piezas modificadas.

Para presentar una reclamación, vaya a su Centro de Servicio MTD Autorizado más cercano. Los servicios o reparación por motivo de garantía se realizarán en todos los Centros de Servicio MTD Autorizados.

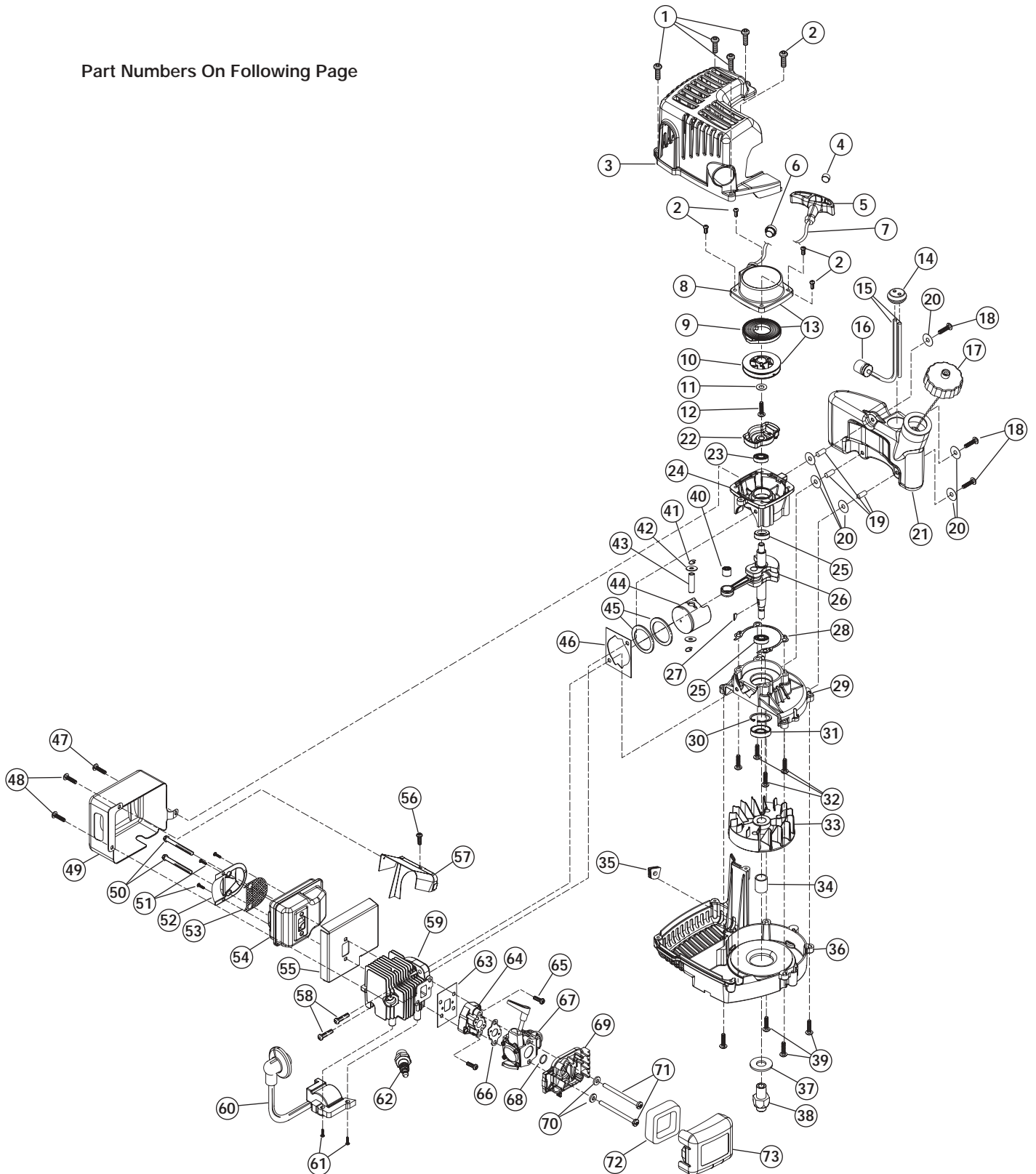
Cualquier pieza de reemplazo aprobada por el fabricante puede ser utilizada para llevar a cabo el mantenimiento o la reparación de garantía de piezas relacionadas con la emisión y se realizará sin cargo alguno para el propietario. Cualquier pieza de reemplazo que sea equivalente en rendimiento o durabilidad puede ser utilizada en el mantenimiento o reparación sin garantía y no reducirá las obligaciones de garantía del fabricante.

Los componentes siguientes se incluyen en la garantía relacionada con emisiones del motor, filtro de aire, carburador, cebador, líneas de combustible, toma de combustible, filtro de combustible, módulo de encendido, bujía de encendido y silenciador.

# PARTS LIST

## ENGINE - MODEL YM290 2-CYCLE GAS BLOWER

Part Numbers On Following Page



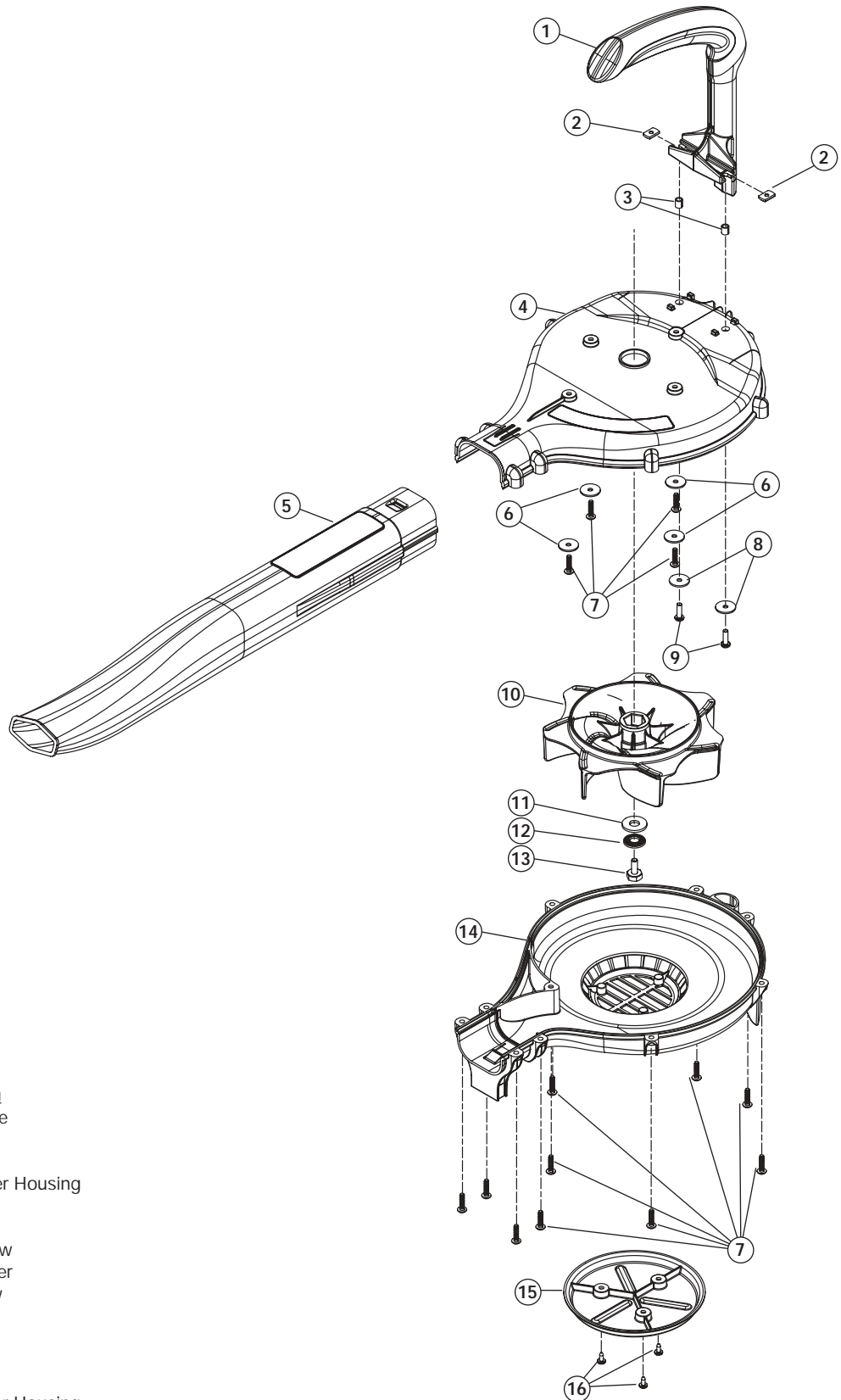
# PARTS LIST

## ENGINE - MODEL YM290 2-CYCLE GAS BLOWER

<u>Item</u>	<u>Part No.</u>	<u>Description</u>	<u>Item</u>	<u>Part No.</u>	<u>Description</u>
1	753-04518	Screw	37	753-04554	Washer
2	753-04519	Screw	38	753-04555	Impeller Nut
3	753-04740	Engine Cover	39	753-04556	Shroud Screws
4	753-04521	Pull Handle Bushing	40	753-04557	Needle Bearing
5	753-04522	Pull Handle	41	753-04558	Retaining Ring
6	753-04523	Rope Guide	42	753-04559	Piston Spacer
7	753-04524	Rope	43	753-04560	Piston Pin
8	753-04525	Recoil Case	44	753-04561	Piston
9	753-04526	Recoil Spring	45	753-04562	Piston Ring
10	753-04527	Recoil Pulley	46	753-04563	Cylinder Gasket
11	753-04528	Washer	47	753-04564	Screw
12	753-04529	Screw	48	753-04565	Screw
13	753-04530	Recoil Assembly (includes 4-12)	49	753-04566	Muffler Cover
14	753-04531	Fuel Line Grommet	50	753-04567	Muffler Bolt
15	791-181828	Fuel Line	51	753-04568	Spark Arrestor Screw
16	753-04533	Fuel Filter	52	753-04569	Spark Arrestor Hood
17	753-04534	Fuel Cap	53	753-04570	Spark Arrestor
18	753-04535	Screw	54	753-04571	Muffler Assembly (includes 51-53)
19	753-04536	Spacer	55	753-04572	Muffler Gasket
20	753-04537	Washer	56	753-04573	Screw
21	753-04538	Fuel Tank Assembly (includes 14-17)	57	753-04574	Cylinder Cover
22	753-04539	Pulley Assembly	58	753-04575	Cylinder Bolt
23	753-04540	Upper Oil Seal	59	753-04576	Cylinder
24	753-04541	Upper Crankcase	60	753-04577	Module
25	753-04542	Bearing	61	753-04578	Module Screw
26	753-04543	Keyed Powershaft Assembly	62	753-04579	Spark Plug
27	753-04544	Flywheel Key	63	753-04580	Insulator Gasket
28	753-04545	Crankshaft Gasket	64	753-04581	Insulator
29	753-04546	Lower Crankcase	65	753-04583	Insulator Screw
30	753-04547	C-Clip	66	753-04582	Carburetor Gasket
31	753-04548	Lower Oil Seal	67	753-04584	Carburetor
32	753-04549	Crankshaft Screw	68	753-04585	O-Ring
33	753-04550	Flywheel	69	753-04586	Air Cleaner Assembly (includes 72 and 73)
34	753-04551	Spacer	70	753-04587	Washer
35	753-04552	Spark Wire Grommet	71	753-04588	Air Cleaner Screw
36	753-04741	Lower Engine Cover	72	753-04589	Air Filter
			73	753-04590	Air Filter Cover

# PARTS LIST

## HOUSING PARTS - MODEL YM290 2-CYCLE GAS BLOWER



Item	Part No.	Description
1	753-04591	Blower Handle
2	753-04186	Weldnut
3	753-04592	Spacer
4	753-04593	Upper Impeller Housing
5	753-04594	Blower Tube
6	791-182409	Washer
7	753-04595	Housing Screw
8	791-181904	Handle Washer
9	791-683606	Handle Screw
10	753-04596	Impeller
11	753-04597	Washer
12	753-04598	Lock Washer
13	753-04599	Bolt
14	753-04600	Lower Impeller Housing
15	753-04601	Intake Deflector
16	791-182474	Deflector Screw

# GARANTÍA LIMITADA DEL FABRICANTE PARA:



La garantía limitada establecida a continuación es dada por MTD LLC ("MTD") con respecto a mercancía nueva que sea comprada y usada en los Estados Unidos, sus posesiones y territorios.

MTD garantiza este producto contra defectos en el material y la mano de obra durante un período de dos (2) años, a partir de la fecha de compra original y a su entera opción, arreglará o substituirá, sin costo alguno, cualquier pieza cuyo material o mano de obra se considere defectuoso. Esta garantía limitada se deberá aplicar únicamente si este producto ha sido manejado y mantenido de acuerdo al Manual del Operador incluido con el producto y, si no ha sido sometido a mal uso, abuso, uso comercial, accidente, mantenimiento inapropiado, alteración, vandalismo, hurto, fuego, agua o daños debidos a otros riesgos o desastre natural. Los daños ocasionados por la instalación o el uso de cualquier accesorio o aditamento que no esté aprobado por MTD para que sea usado con el (los) producto(s) contemplados en este manual, anularán la garantía con respecto a cualquier daño resultante. Esta garantía está limitada a noventa (90) días a partir de la fecha de compra original de cualquier producto MTD que se use para alquiler o para propósitos comerciales, o cualquier otro propósito que genere ingreso.

**CÓMO OBTENER SERVICIO:** El servicio de garantía se encuentra disponible A TRAVÉS DE SU DISTRIBUIDOR LOCAL AUTORIZADO, AL PRESENTAR UN COMPROBANTE DE COMPRA. Para ubicar al distribuidor de su área, por favor consulte las Páginas Amarillas o contacte al Departamento de Servicio al Consumidor de MTD LLC llame al 1-800-345-8746 o, escriba a P.O. Box 361131, Cleveland OH 44136-0019. Si está en Canadá, llame al 1-800-668-1238. No se aceptará ningún producto que sea enviado directamente a la fábrica, a menos que haya recibido autorización previa por escrito por parte del Departamento de Servicio al Consumidor de MTD LLC.

**Esta garantía limitada no ofrece cobertura en los siguientes casos:**

- A. Sincronizaciones — Bujías, ajustes de carburadores, filtros.
- B. Artículos de desgaste — Botón de tope, carretes externos, línea de corte, carretes internos, polea de arranque, cuerdas de arranque, correas motoras.
- C. MTD no le ofrece ninguna garantía a productos que sean vendidos o exportados fuera de los Estados Unidos de Norteamérica, sus posesiones y territorios, excepto aquellos que se vendan a través de los canales de distribución para exportación autorizados por MTD.

MTD se reserva el derecho a cambiar o mejorar el diseño de cualquier producto MTD, sin asumir ninguna obligación para modificar ningún producto fabricado con anterioridad.

**Ninguna garantía implícita es aplicable, incluyendo cualquier garantía implícita de comerciabilidad o idoneidad para un propósito particular, después del periodo de la garantía expresa escrita con anterioridad, con respecto a las piezas identificadas. Ninguna otra garantía expresa dada por cualquier persona o entidad, incluyendo a los distribuidores o minoristas, bien sea escrita u oral, deberá comprometer a MTD con respecto a cualquier producto. Durante el período de la Garantía, la solución exclusiva es arreglar o cambiar el producto de la manera establecida anteriormente.** (Algunos estados no permiten limitaciones en cuanto al período de duración de una garantía implícita, de manera que puede que la limitación anterior no sea aplicable para usted.)

**Las estipulaciones establecidas en esta Garantía ofrecen la solución única y exclusiva que resulte de las ventas. MTD no deberá ser responsable de pérdidas o daños incidentales o consecuentes que incluyen, sin limitación, erogación de gastos debido a la sustitución de servicios de mantenimiento de prados, transporte o gastos relacionados, o gastos de alquiler para reemplazar temporalmente un producto bajo garantía.** (Algunos estados no permiten limitaciones en cuanto al período de duración de una garantía implícita, de manera que puede que la limitación anterior no sea aplicable para usted.)

La recuperación de cualquier tipo no deberá ser superior al precio de compra del producto vendido en ningún caso. La alteración de las características de seguridad del producto deberá anular la garantía. Usted asume el riesgo y la obligación de la pérdida, daño o lesión en su persona o a su propiedad y / o la de otras personas y sus propiedades, que se origine a raíz del uso o mal uso, o la falta de capacidad para usar el producto.

Esta garantía limitada no deberá cubrir a ninguna otra persona distinta al comprador original, arrendatario original, o la persona para la que se compró en calidad de regalo.

**Relación de las leyes estatales con esta Garantía:** Esta garantía le confiere derechos legales específicos, y puede que usted también tenga otros derechos, los cuales varían en cada estado.

Para ubicar a su distribuidor de servicio más cercano, llame al 1-800-345-8746 en los Estados Unidos o al 1-800-668-1238 en Canadá.

**MTD LLC**  
P.O. Box 361131  
Cleveland, OH 44136-0019