
Platinum Series

2000

ADJUSTABLE BED
WITH WALLHUGGER® ACTION

MODEL NO

P-2000

- **Introduction**
- **Installation**
- **Operation**
- **Trouble Shooting**
- **Warranty**

**RETAIN FOR FUTURE
REFERENCE**

Manual Part Number:
99300487
1-04

SERIAL NO:

WARNINGS

WARNING! IMPORTANT SAFETY INSTRUCTIONS

PLEASE READ THESE INSTRUCTIONS THOROUGHLY BEFORE USING THIS PRODUCT.

Your Adjustable Bed has been totally engineered to provide you with reliability of operation and the strength you deserve. The manufacturer has given each bed a thorough inspection and testing prior to shipment. The utmost in comfort and safety has been provided for you. This bed is for HOME use only. It is NOT designed for hospital use and was not designed to meet hospital standards. Do not use bed with TENT TYPE oxygen therapy equipment, or near explosive gases.

GROUNDING SAFETY

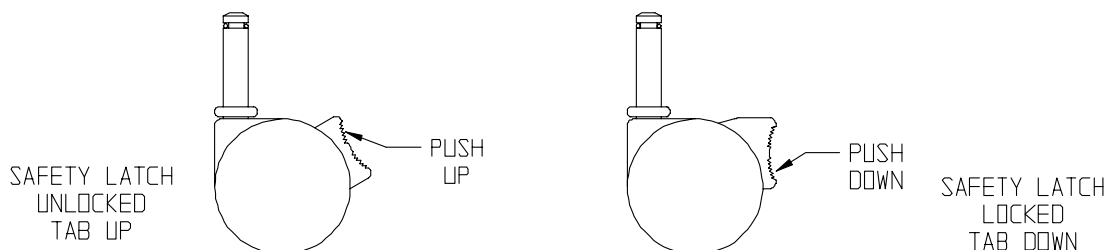
This Adjustable Bed has a grounded plug (two flat blades and one round pin) as a safety feature to reduce the risk of electric shock. The plug will only fit into a grounded outlet one way. If this plug does not fit into your outlet, contact a qualified electrician and have them install a properly grounded outlet. NEVER REMOVE THE GROUNDING PIN OR ALTER THE PLUG IN ANY WAY. *Unauthorized modifications could void the electrical portion of your warranty.* The use of adapters is not recommended unless the outlet is checked by a qualified electrician to ensure the proper grounding of the adapter. Failure to use a properly grounded outlet for this product will compromise this important grounding safety feature and may result in electrical shock, electrical fire, or faulty operation of the product. **FOR BEST RESULTS, YOUR BED SHOULD BE PLUGGED INTO A SURGE PROTECTOR** (not supplied with this adjustable bed).

WARNING!

Do not open control box, motors or hand controls (with the exception of the battery compartment). The warranty is **void** if these units are tampered with. Any repair or replacement of adjustable bed parts must be implemented by an authorized person.

IMPORTANT SAFETY FEATURE

This Adjustable Bed is equipped with a special locking caster for your safety. In order to prevent the movement of this product, all four casters should be locked in position. This may be accomplished by pushing down the safety latch on the caster. To resume mobility of the product, lift up on the safety latch. You are strongly encouraged to place rubber caster cups or carpet squares under the casters in addition to locking them in place if the product is positioned on a hard surface floor such as hardwood, tile or linoleum. Although your casters are locked and will not roll, they may slide. **Note: To avoid damage to flooring, casters must be installed before operating the bed. Failure to attach casters may void warranty.**



WARNINGS

For best performance, consumers should enter and exit the adjustable bed with the bed in the flat or down position.

A note to consumers with pacemakers: As with any product that produces a vibrating motion, it is possible that some pacemakers may interpret this motion as a false sense of movement and/or exercise. This may or may not affect your pacemaker. If you have any concerns, please consult your physician.

WEIGHT RESTRICTIONS:

The recommended weight restrictions on our adjustable beds are as follows:

Twin	300
Full	375
Queen	425

The bed will structurally support the recommended weights when distributed uniformly across the entire bed. This product is not designed to support or lift this amount of weight in the head or foot sections alone. **DO NOT SIT ON THE HEAD OR FOOT SECTION WHILE IT IS IN THE RAISED POSITION.**

Note: Exceeding the recommended weight restrictions could damage your adjustable bed and void your warranty.

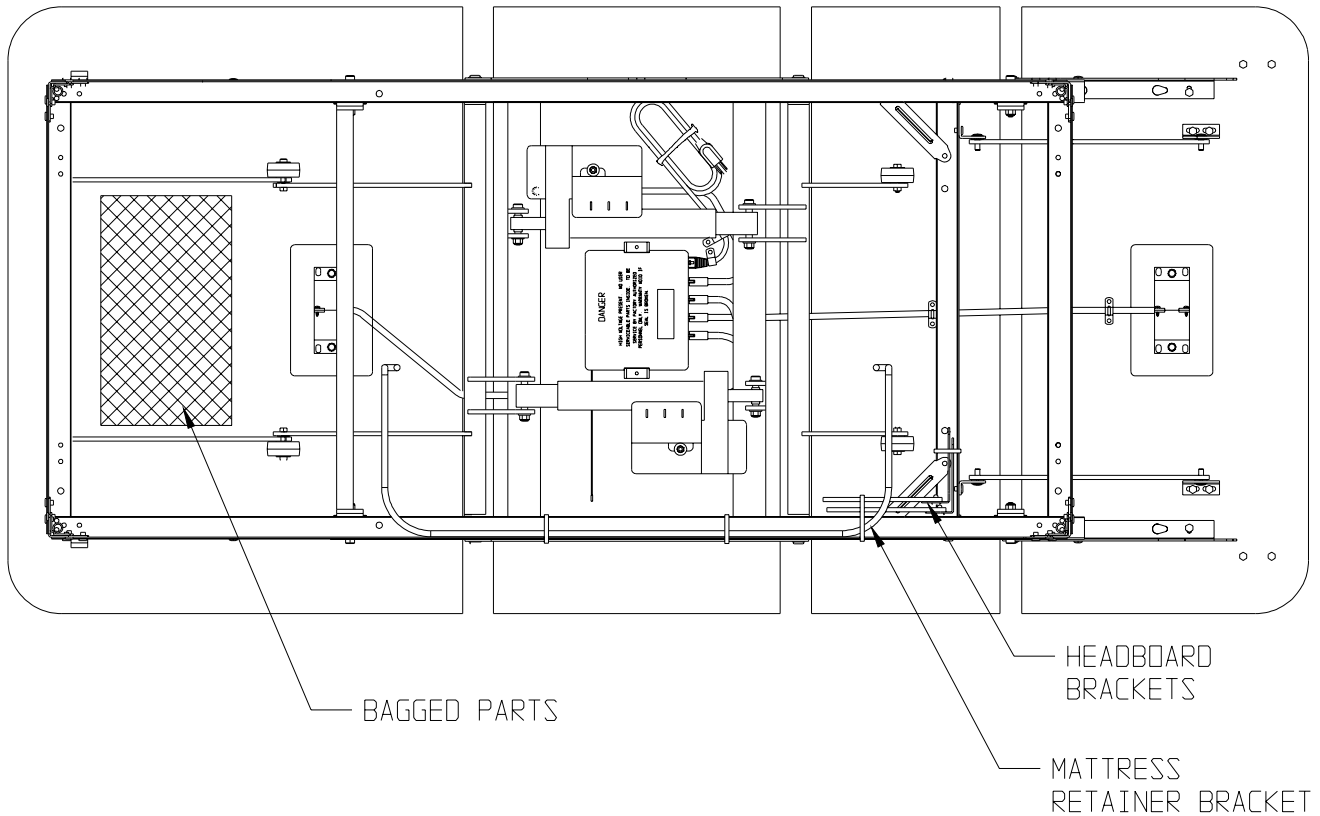
RADIO FREQUENCY IS 310 MHz.

WARNING: The transmitter and the receiver of the wireless control system have been tested and comply with FCC and DOC/MDC rules. Changes or modifications not expressly approved by the party responsible for compliance could void user's authority to operate the equipment.

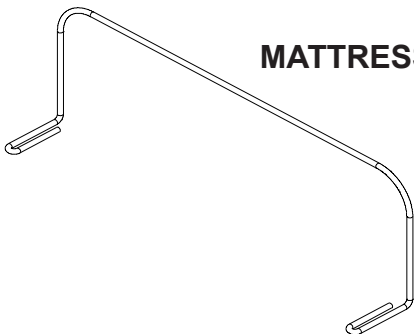
INSTALLATION

STEP 1

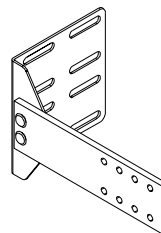
Remove and discard the packing materials from the bottom of the base unit. You will see the mattress retainer bracket and headboard brackets attached to the side rail of the bed. Remove these items and set aside for the moment. Remove bagged parts and the power cord from the underside of the bed.



MATTRESS RETAINER BRACKET

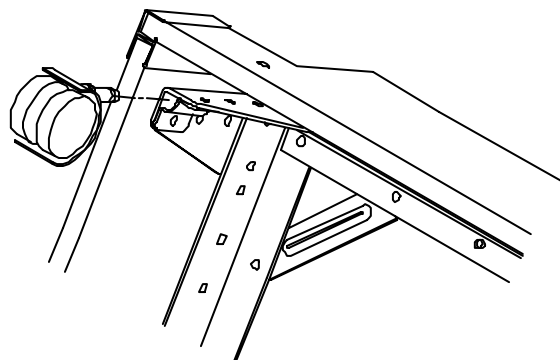


HEADBOARD BRACKET



STEP 2

Insert casters into the caster sockets at the bottom of each leg. If necessary, strike the center of the caster lightly with a hammer. **NOTE: To avoid damage to flooring, casters must be installed before operating the bed. Failure to attach casters may void warranty.**

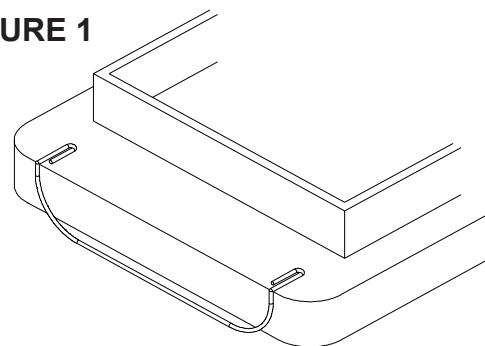


INSTALLATION

FIGURE 1

STEP 3

Lift the base unit from the carton and, keeping the unit top-side-down, place it on a raised surface such as the mattress. Remove the four bolts at the foot end of the bed and attach the mattress retainer.. **See Figure 1.** The mattress retainer must be used or the mattress will slide off the end of the bed when the head is raised.

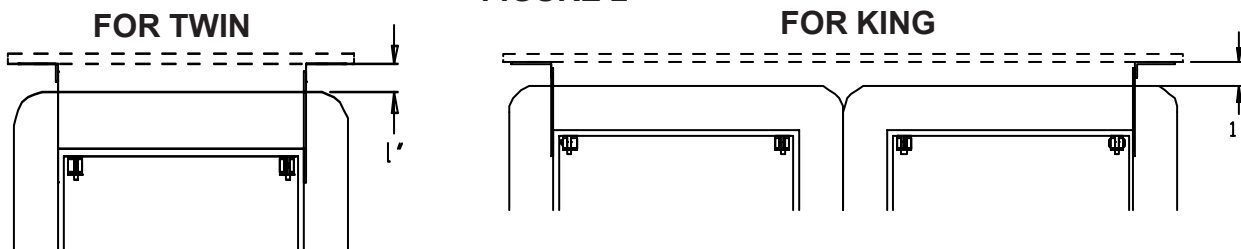


If this product is not going to be attached to a headboard, omit Step 4 and Step 6.

STEP 4

Attach the headboard brackets per instructions on Page 5. Brackets must be attached to allow a one inch space between the mattress and headboard **(FAILURE TO FOLLOW THESE GUIDELINES MAY CAUSE THE HEADBOARD BRACKET TO INTERFERE WITH THE BASE FOAM WHEN THE HEAD SECTION IS BEING ELEVATED. THIS WILL CAUSE DAMAGE TO THE BASE FOAM AND/OR BASE COVER).** Note: When attaching twins to a king size headboard, it is only necessary to prepare the outside brackets for use, **See Figure 2.**

FIGURE 2

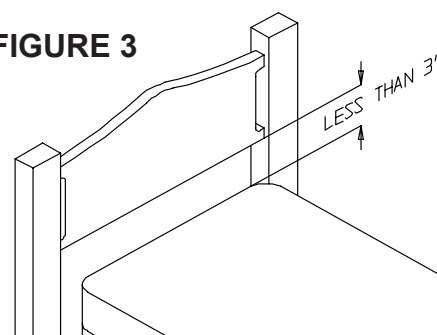


STEP 5 WARNING: Power cord must not interfere with any of the adjustable bed mechanisms.

Carefully turn the entire base assembly over so that it is resting on its casters. Remove protective covering from the base unit. Unpack the mattress and place it on the base unit. Dispose of all plastic packing material.

STEP 6 Attach the headboard to the brackets. **WARNING: To avoid potential injury, position the headboard with a distance of 3 inches or less between the headboard and the top of the mattress; See Figure 3.**

FIGURE 3



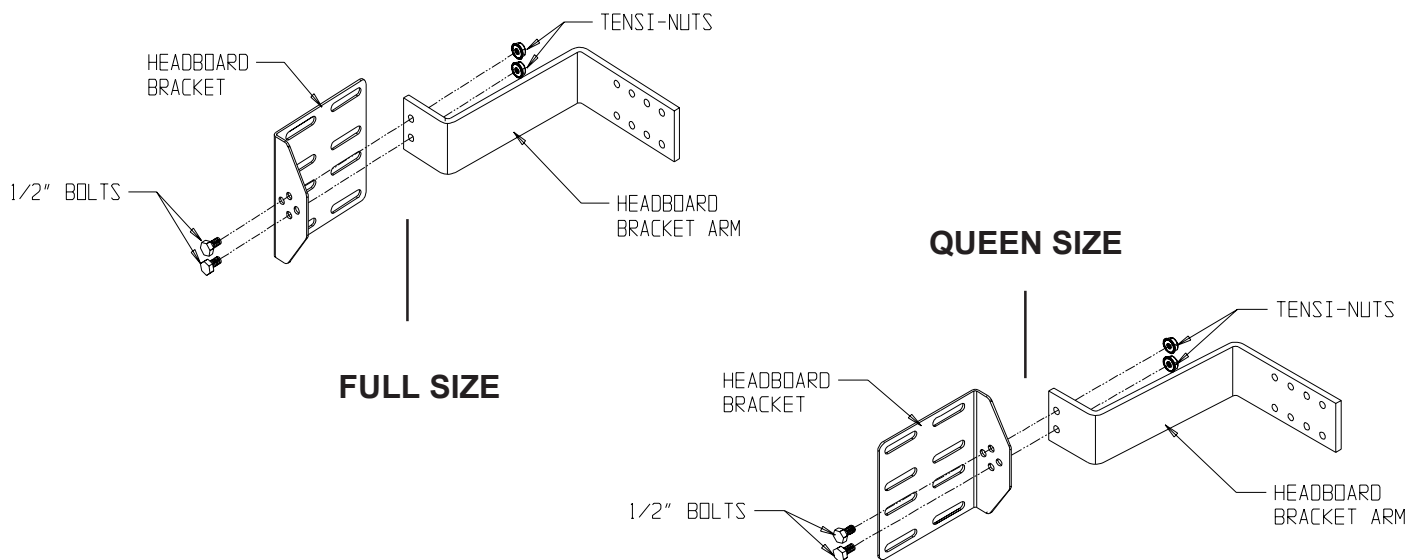
STEP 7 Plug the adjustable bed power cord into electrical outlet. You are strongly encouraged to plug your unit in to a Surge Protector.

INSTALLATION

HEADBOARD BRACKET ASSEMBLY INSTRUCTIONS

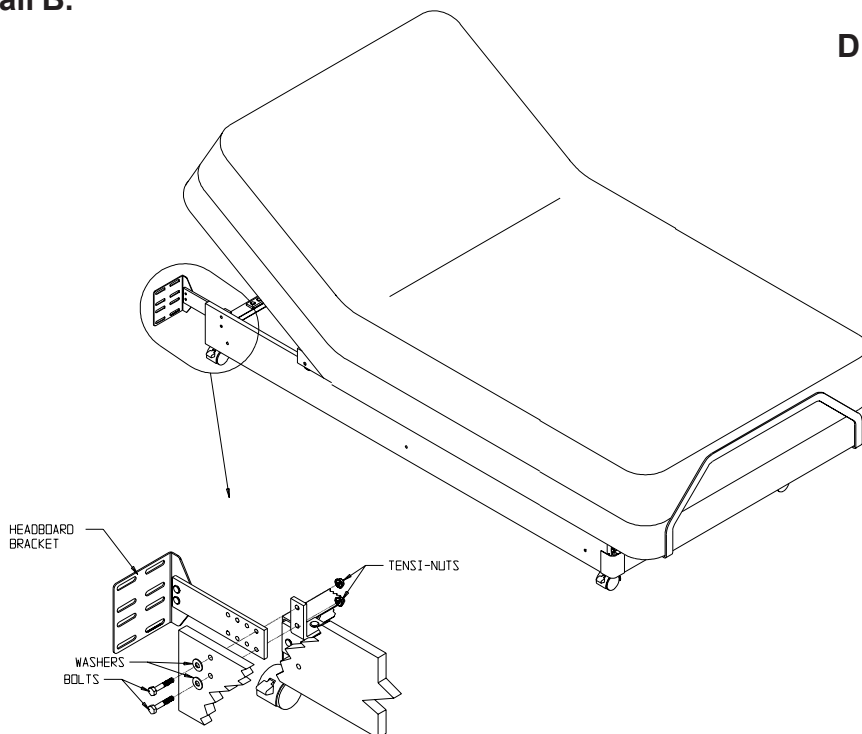
Assemble headboard brackets for full or queen size bedding as shown in **Detail A**. Headboard brackets for twin size bedding do not require assembly.

DETAIL A



Slide headboard bracket assembly between the metal frame and the wood trim panel. Position brackets to allow a one inch space between the mattress and the headboard. Attach brackets to the frame as indicated in **Detail B**.

DETAIL B



OPERATION

P-2000 OPERATING INSTRUCTIONS

Transmission Indicator Light:
Verifies a button is being pressed.

Massage Set Button:
Once desired settings of the massagers and wave have been activated, press this button to save those settings for the Favorite Massage Button.

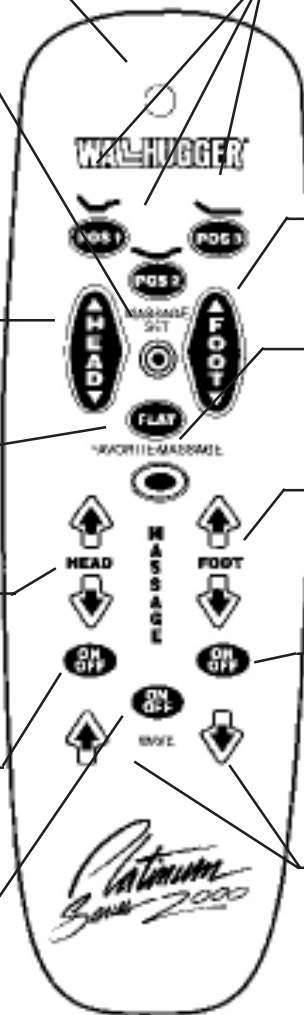
Head Up/Down Rocker Switch:
Adjusts the head section of the bed to the desired position.

Flat Button:
Massagers will turn off and the bed will move to the flat position.

Head Massage Arrow Buttons:
Slowly increases or decreases speed of the massager as long as the appropriate button is pressed.

Head Massage On/Off Button:
Turns massager on or off. When turned on, the massage has an automatic shut off timer of 30 minutes.

Wave Arrow Buttons:
Once one or both massagers are activated, this button turns the wave feature on or off.



Position Buttons: (see note below)
Automatically moves bed to the preset position from any other setting. To stop the bed while in motion, press and hold any button until the bed stops.

Foot Up/Down Rocker Switch:
Adjusts foot section of the bed to the desired position.

Favorite Massage Button:
Press and hold this button to turn on massager to the programmed setting.

Foot Massage Arrow Button:
Slowly increases or decreases speed of the massager as long as the appropriate button is pressed.

Foot Massage On/Off Button:
Turns massager on or off. When turned on, the massage has an automatic shut off timer of 30 minutes.

Wave On/Off Button:
These buttons increase or decrease the speed of the wave feature as long as the appropriate button is pressed.

NOTE: The POS1, POS2 and POS3 buttons are not programmable. They are preset and can not be changed.

REQUIRES FOUR (4) "AAA" BATTERIES

AUTO LEARN FEATURE: This feature is used to reprogram your remote, or to program a new remote. Unplug the bed from the wall, then plug it back in. Press and hold the **POS1** button and the **Head Massage ON/OFF** buttons on the remote. The transmission light will flash slowly and then flash rapidly. Continue to hold for 2 seconds and then release. The code for the new hand control has been learned.

FOR RADIO FREQUENCY AND FCC INFORMATION, SEE PAGE 2.

TROUBLE SHOOTING

ELECTRICAL

If the bed does not operate:

- Check the power cord to see that it is securely plugged into the electrical outlet.
- Check the outlet by plugging in a lamp or another electrical device.
- Replace batteries in the remote hand control.
- Perform the Auto Learn Feature outlined on your Remote Operation page.
- If bed still does not work, contact:

**Leggett & Platt
Warranty Service Department
P.O. Box 140
Linwood, NC 27299
1-800-888-3078**

FOR BEST RESULTS, YOUR BED SHOULD BE PLUGGED INTO A SURGE PROTECTOR.

NOISE CONCERNS

Because of the free fall safety design, the wheels of the lift arm should come into contact with the platform boards slightly to place tension on the mechanism and reduce a potential noise problem.

The level of noise emitted in most cases is directly proportional to the acoustics of the room where the bed is placed. Thus, when a bed is on a hardwood floor and the massagers are running, it will transmit the noise and sound like a base drum. To minimize this noise, place a piece of carpet or a rubber caster cup under each caster. (Rubber caster cups can be purchased at your local dealer or by calling Customer Service at 1-800-888-3071.)

When the bed is operated, there will be a harmonic hum from the lift motors. This is normal.

LUBRICATION

The lift motors are permanently lubricated. No additional lubrication will ever be required.

Do not apply lubricant to the lift motor lead screw or to the nylon nuts. Any lubrication to these parts may cause your bed to creep down from the elevated position.

Please have your Model Number, Serial Number and Date Of Purchase available when calling. If possible, please be in the same location as the bed before calling.

WARRANTY

LEGGETT & PLATT 20-YEAR LIMITED WARRANTY

Leggett & Platt, Incorporated (“L&P”) warrants this P-2000 Bed to the consumer who is the original purchaser (the “Purchaser”), subject to the terms and conditions set forth herein. This warranty begins on the “warranty commencement date” which is the date of purchase for new, unused beds and the date of manufacture for beds that have been used as floor or display models. [Thus, on a floor model bed, the warranty is a portion of the limited 20-year warranty.]

FULL ONE-YEAR WARRANTY

This P-2000 Bed is warranted against defects in the workmanship or materials for a period of one year from the warranty commencement date. Upon notice during the first year after the warranty Commencement date, L&P will repair or replace at no cost to the Purchaser any defective P-2000 part, and L&P will pay all authorized labor and transportation costs associated with the repair or replacement of any parts found to be defective.

LIMITED FIVE-YEAR WARRANTY

During the second through the fifth years from the warranty commencement date, upon receipt of notice, L&P will replace any P-2000 part found to be defective. This limited five year warranty shall not apply unless the defective part is returned to L&P within ten (10) days of Purchaser’s receipt of the replacement part. Purchaser shall pay all service and transportation costs related to the replacement of the defective part.

LIMITED TWENTY-YEAR WARRANTY

Upon notice during the sixth through the twentieth years from the warranty commencement date, L&P will replace, upon terms and conditions set forth in this paragraph, any P-2000 part found to be defective. Purchaser shall pay 1/180 of the then current replacement cost of the defective part multiplied by the number of months after five (5) years from the warranty commencement date, and L&P shall bear the remainder of the cost of the replacement part. This twenty (20) year warranty shall not apply unless the defective part is returned to L&P within ten (10) days of Purchaser’s receipt of the replacement part. Purchaser shall pay all service and transportation costs related to the replacement of the defective part. After the twentieth year, Purchaser shall bear the entire cost of repair and replacement of all parts and materials, including labor and transportation.

ADDITIONAL TERMS AND CONDITIONS

This warranty does not apply; (a) to any damage caused by the Purchaser; (b) if there has been any repair or replacement of P-2000 parts by an unauthorized person; (c) if the P-2000 has been mishandled (whether in transit or by other means), subjected to physical or electrical abuse or misuse, or otherwise operated in any manner inconsistent with the operation and maintenance procedures outlined in the Owner’s Manual and this warranty; (d) to damage to mattresses, fabric, cables, electrical cords or items supplied by dealers. [Contact the dealer for warranty information on these items.]; (e) if there has been any modification of the P2000 without prior written consent by L&P; (f) to costs for unnecessary service calls, including costs for in home service calls solely for the purpose of educating the consumer about the P-2000 or for finding a satisfactory power connection; (g) if the recommended weight restrictions are not followed (300-Twin; 375-Full; 425-Queen), the warranty will be void.

WARRANTY, Continued

Repairs to or replacement of a P-2000 bed or its components under the terms of this Limited Warranty will apply to the original warranty period and will not serve to extend such period.

The decision to repair or to replace defective parts under this warranty shall be made, or cause to be made, by L&P at its option and in its sole discretion.

REPAIR OR REPLACEMENT SHALL BE THE SOLE REMEDY OF THE PURCHASER. THERE SHALL BE NO LIABILITY ON THE PART OF L&P FOR ANY SPECIAL, INDIRECT, INCIDENTAL, OR CONSEQUENTIAL DAMAGES OR FOR ANY OTHER DAMAGE, CLAIM, OR LOSS NOT EXPRESSLY COVERED BY THE TERMS OF THIS WARRANTY.

This Limited Warranty does not include reimbursement for inconvenience, removal, installation, set up time, loss of use, shipping, or any other costs or expenses. Leggett & Platt or its Service Technicians shall not be responsible for moving furniture, removing headboards and footboards or any other items in order to perform service on your adjustable bed. It is the sole responsibility of the customer to provide adequate space and accessibility to the Adjustable Bed. In the event that the technician is unable to perform service due to lack of accessibility, the service call will be billed to the consumer and the service will have to be rescheduled.

THERE ARE NO UNDERSTANDINGS, TERMS, CONDITIONS OR WARRANTIES NOT FULLY EXPRESSED HEREIN. L&P MAKES NO OTHER WARRANTY WHATEVER, EXPRESS OR IMPLIED, AND ALL IMPLIED WARRANTIES OF MERCHANTABILITY AND FITNESS FOR A PARTICULAR PURPOSE ARE DISCLAIMED BY L&P AND EXCLUDED FROM THIS AGREEMENT.

Some states do not allow the exclusion or limitation of incidental or consequential damages, so the above limitation or exclusion may not apply to every Purchaser.

This warranty gives the Purchaser specific legal rights, and the Purchaser may also have other rights, which may vary from state to state. This warranty is valid in all 50 states and Puerto Rico.

All claims and correspondence under this warranty shall be made to:

Leggett & Platt, Incorporated
Warranty Service Department
P.O. Box 140
Linwood, NC 27299

1-800-888-3078

Platinum Series

2000

**ADJUSTABLE BED
WITH WALLHUGGER® ACTION**

MODEL NO:

P-2000

This model number will be found on the decal which is attached to the main frame rail under the headboard. Always mention the model number when requesting repair parts.

WHEN ORDERING PARTS OR REQUESTING SERVICE ASSISTANCE, PLEASE HAVE THE FOLLOWING INFORMATION READY:

- THE PART DESCRIPTION
- THE MODEL NUMBER - LAB 6
- THE NAME OF THE ITEM - P2000
- THE SERIAL NUMBER- Also located on front cover of this manual.

**Manual Part Number:
99300487
1-04**

For All Service Questions and Problems,

Call: 1-800-888-3078

Do not call your retail dealer or any other service person.
