



**Appliances that conserve America's
resources, one load at a time.**

2007 Features and Specifications

Product Features

Washers	
EWF272EL	3
EWF172.....	4
EWF150.....	5
Dryers	
EDV278EL.....	6
EDV158	7
EDC158	8
Combination Washer/Dryer	
EWC177	9
Laundry Accessories	10
Dishwashers	
EDW294E	11
EDW274E	12
EDW254E	13
EDW242C	14
Dishwasher Accessories	15

Product Specifications

Washer Installations	
EWF172 and EWF272EL Dimensions and Technical Data	17
EWF150 Dimensions and Technical Data	18
Dryer Installations	
EDV278EL Dimensions and Technical Data	19
EDV158 Dimensions and Technical Data.....	20
EDC158 Dimensions and Technical Data.....	21
Combination Washer/Dryer Installations	
EWC177 Dimensions and Technical Data	22
Stacked Laundry Installations	
EW172 and EDV158 and EWF272EL and EDV278EL Dimensions	23
EWF172 and EDC158 Dimensions	24
EWF150 and EDV158 Dimensions	25
EWF150 and EDC158 Dimensions	26
Stacked Laundry Closet Installations	
Washer and Vented Dryer	27
Washer and Condenser Dryer.....	28
Dishwasher Installations	
Dimensions and Technical Data	29
Under Cabinet Installations-Cabinet Opening / Drain Connection	30/31
Fitting a Custom Door Panel on EDW294E.....	32
Building a Custom Wood Door Panel for EDW294E.....	33
Installing A Custom Wood Panel	34

Purchase Information

Purchase Information	35
----------------------------	----

MODEL EWF272EL



Features

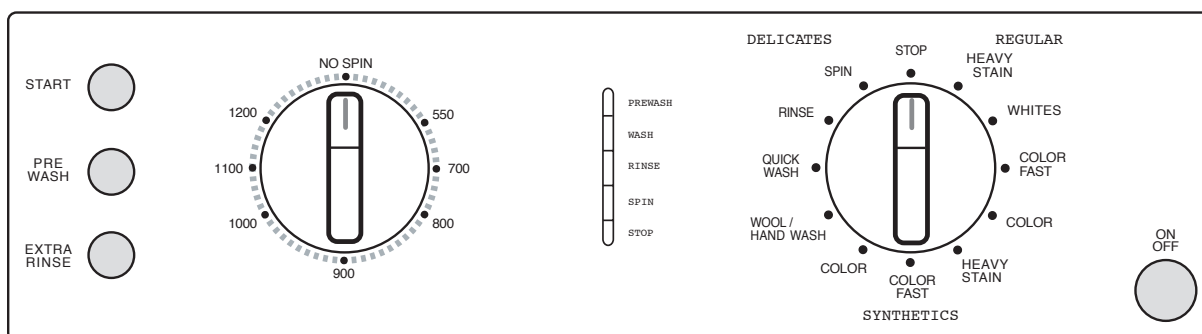
- ✓ EuroStyle Fabric Care System
- ✓ Extra large capacity*
- ✓ Fully electronic controls
- ✓ Start button
- ✓ Available in white or graphite
- ✓ EnergyStar™ rated
- ✓ 550 to 1200 rpm spin speeds and No Spin
- ✓ Serenity™ Plus Load Management System
- ✓ Stainless steel inner tank
- ✓ Stainless steel outer tank
- ✓ PumpSaver™ coin trap
- ✓ Internal water heater
- ✓ Normal water consumption: 18.5 gallons
- ✓ Nine wash programs:
 - Regular: Heavy Stain (w/140° Hot temp boost), Whites, Colorfast, Color
 - Perma Press: Heavy Stain (w/140° Hot temp boost), Whites, Colorfast, Color
 - Delicate: Wool/Hand wash, Quick Wash
- ✓ Two program options: Prewash and Extra rinse
- ✓ Three rinses (plus extra rinse option)
- ✓ Cold rinse
- ✓ WaterSaver™ control system
- ✓ SilenTech™ Package
- ✓ Detergent and fabric softener dispenser
- ✓ Overfill protection
- ✓ DuraTech worktop surface
- ✓ ADA height compliant
- ✓ Every unit 100% factory tested
- ✓ 110/115 volt, 15 amp, 60 Hz
- ✓ Flexible installation:
 - Stacked below Eurotech dryer,
 - Built-in, and Side-by-side

*According to DOE standards

- ✓ Extra large capacity
- ✓ New, simplified electronic controls
- ✓ Matches EDV278EL dryer
- ✓ Variable spin speeds
- ✓ Cold water prewash option
- ✓ Stainless steel inner and outer tanks
- ✓ White or graphite

- ✓ Dimensions:
 - 33-1/4" high
 - 23-3/8" wide
 - 38-3/4" deep w/door open
 - 23-1/8" deep

Control Panel

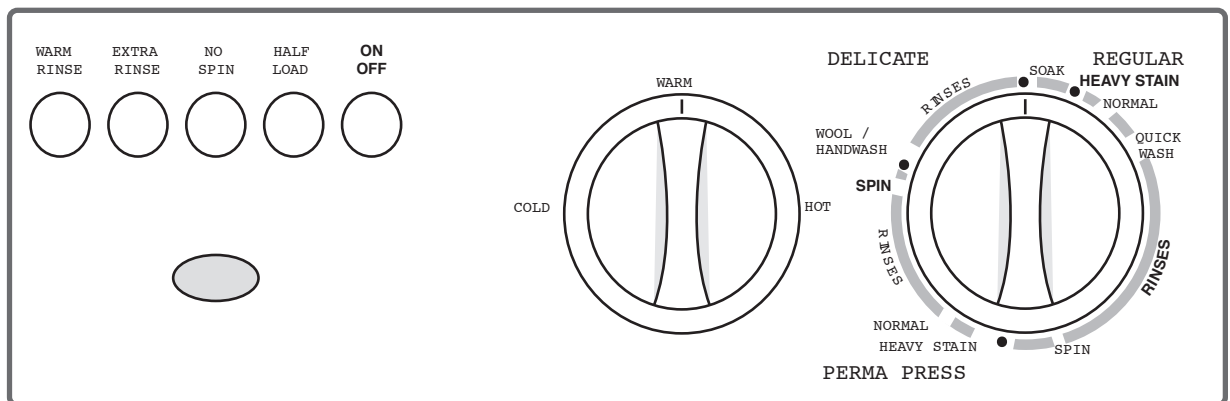


Features

- ✓ EuroStyle Fabric Care System
- ✓ Extra large capacity*
- ✓ EnergyStar™ rated
- ✓ Three spin speeds: Delicate (550 rpm), PermaPress (800 rpm), and Normal (1200 rpm)
- ✓ Serenity™ Plus Load Management System
- ✓ Quick'n'Easy controls
- ✓ Stainless steel inner tank
- ✓ Stainless steel outer tank
- ✓ PumpSaver™ coin trap
- ✓ Internal water heater
- ✓ Maximum water consumption: 20 gallons
- ✓ Seven wash programs:
 - Regular: Soak, Heavy Stain (w/140° Hot temp boost), Normal, Quick wash
 - Perma Press: Heavy Stain (w/140° temp boost option), Normal
 - Delicate: Wool/Hand wash
- ✓ Four program options:
 - Warm rinse, Extra rinse, No spin, and Half load
- ✓ Four wash temperatures:
 - 140° F, Hot, Warm, and Cold
- ✓ Three rinses (plus extra rinse option)
- ✓ Cold rinse
- ✓ WaterSaver™ control system
- ✓ SilenTech™ Package
- ✓ Detergent and fabric softener dispenser
- ✓ Overfill protection
- ✓ DuraTech worktop surface
- ✓ ADA height compliant
- ✓ Every unit 100% factory tested

*According to DOE standards

Control Panel



MODEL EWF172



- ✓ Extra large capacity
- ✓ 1200 rpm spin speed
- ✓ Stainless steel inner and outer tanks

- ✓ Flexible installation:
 - Stacked below Eurotech dryer,
 - Built-in, and Side-by-side
- ✓ 110/115 volt, 15 amp, 60 Hz
- ✓ Dimensions:
 - 33-1/4" high
 - 23-3/8" wide
 - 38-3/4" deep w/door open
 - 23-1/8" deep

MODEL EWF150



- ✓ Large capacity
- ✓ 1000 rpm spin speed
- ✓ Stainless steel inner tank

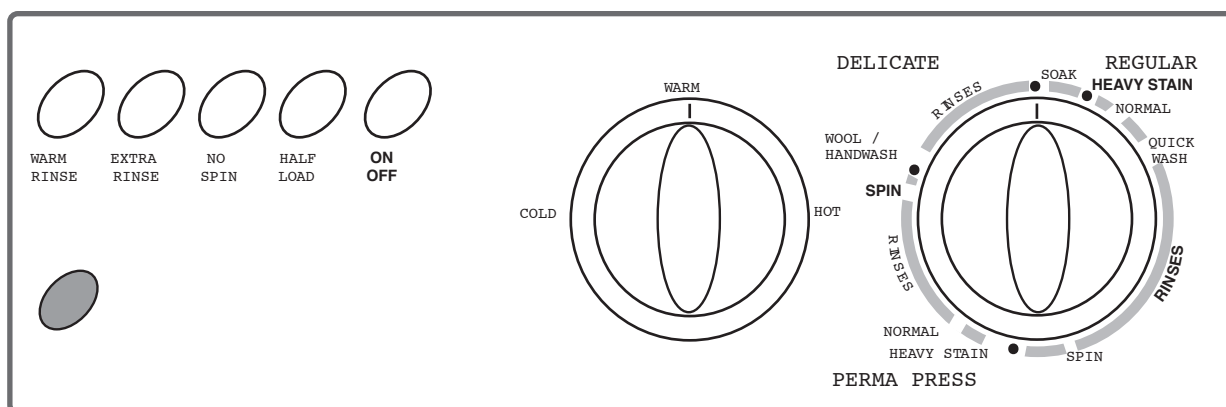
Features

- ✓ EuroStyle Fabric Care System
- ✓ Large capacity*
- ✓ EnergyStar™ rated
- ✓ Three spin speeds: Delicate (550 rpm), PermaPress (800 rpm), and Normal (1000 rpm)
- ✓ Serenity™ Load Management System
- ✓ Quick'n'Easy controls
- ✓ Stainless steel inner tank
- ✓ Porcelain-on-steel outer tank
- ✓ PumpSaver™ coin trap
- ✓ Internal water heater
- ✓ Normal load water consumption: 14.8 gallons
- ✓ Seven wash programs:
 - Regular: Soak, Heavy Stain (w/140° Hot temp boost), Normal, Quick wash
 - Perma Press: Heavy Stain (w/140° temp boost option), Normal
 - Delicate: Wool/Hand wash
- ✓ Four program options:
 - Warm rinse, Extra rinse, No spin, and Half load
- ✓ Four wash temperatures:
 - 140° F, Hot, Warm, and Cold
- ✓ Three rinses (plus extra rinse option)
- ✓ Cold rinse
- ✓ WaterSaver™ control system
- ✓ SilenTech™ Package
- ✓ Detergent and fabric softener dispenser
- ✓ Overfill protection
- ✓ DuraTech worktop surface
- ✓ ADA height compliant
- ✓ Every unit 100% factory tested
- ✓ Flexible installation:

*According to DOE standards

- Stacked below Eurotech dryer, Built-in, and Side-by-side
- ✓ 110/115 volt, 15 amp, 60 Hz
- ✓ Dimensions:
 - 33-1/4" high
 - 23-3/8" wide
 - 36-7/8" deep w/door open
 - 21-3/8" deep

Control Panel



Specifications are subject to change without notice. See owner's manual for additional details.

Dryers

Features

- ✓ EuroStyle Fabric Care System
- ✓ Wrinkle-reducing, auto-reversing rotation
- ✓ Stainless steel drum
- ✓ Fully electronic controls
- ✓ Start button
- ✓ Available in white or graphite
- ✓ Five programs:
 - Extra, Normal, Iron, Damp, and Timed (60, 40, or 20 minutes)
- ✓ Two drying temperatures: Normal and Delicate
- ✓ SentryDry™ electronic sensor
- ✓ CoolTouch™ cool-down cycle
- ✓ Automatic anti-crease cycle
- ✓ End-of-program tone
- ✓ Removable double lint filter
- ✓ Every unit 100% factory tested
- ✓ ADA height compliant
- ✓ DuraTech worktop surface
- ✓ 220 volts, 30 amp
- ✓ Flexible installation:
 - Stacked on Eurotech washer
 - Built-in
 - Side-by-side
- ✓ Dimensions:
 - 33-1/4" high
 - 23-3/8" wide
 - 39" deep w/door open
 - 23-1/4" deep

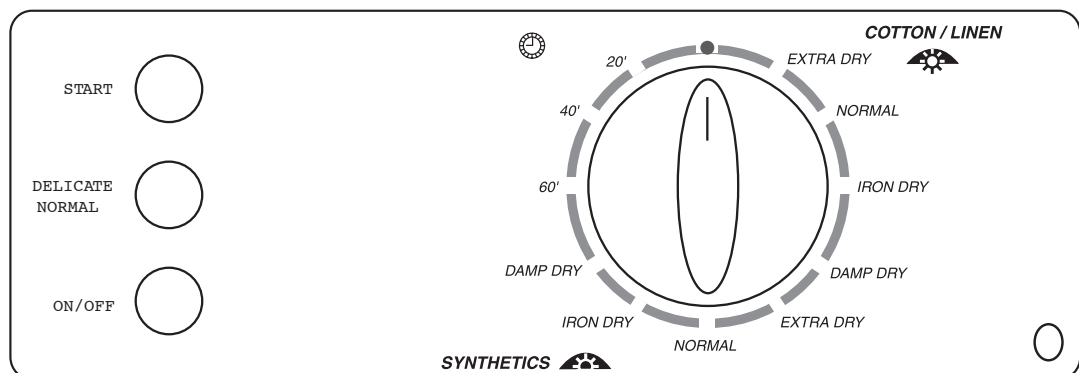
MODEL EDV278EL



- ✓ Vented dryer
- ✓ New, simplified electronic controls
- ✓ Matches EWF272EL washer
- ✓ Separate motor for drum and fan
- ✓ Almost twice the airflow (200 cfm vs. 110) *
- ✓ One-third larger heating element (3300 watts vs. 2500 watts) *
- ✓ White or graphite

* Compared to EDV158

Control Panel



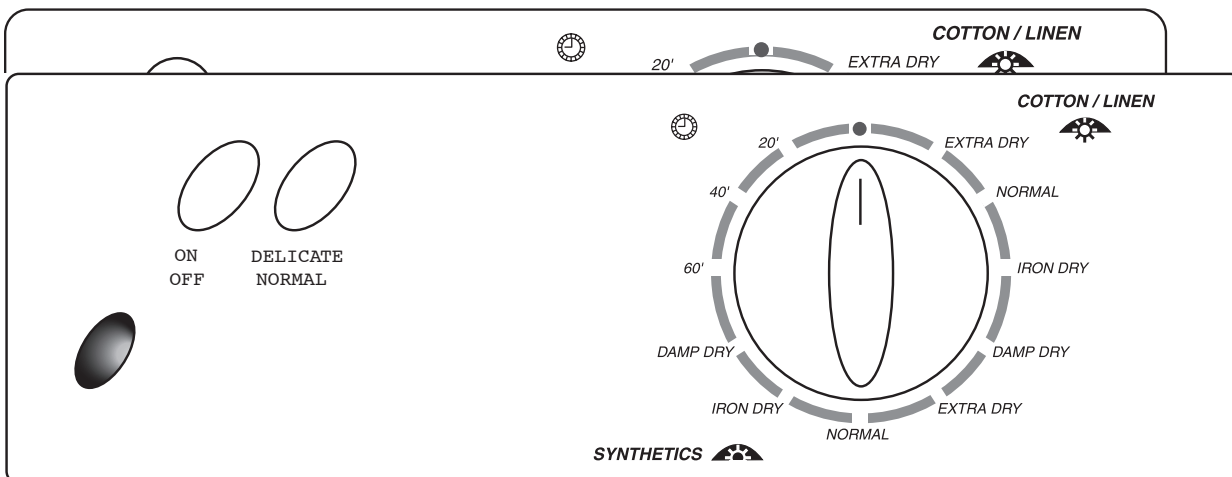
MODEL EDV158

Features

- ✓ EuroStyle Fabric Care System
- ✓ Wrinkle-reducing, auto-reversing rotation
- ✓ Stainless steel drum
- ✓ Quick'n'Easy controls
- ✓ Five programs:
 - Extra, Normal, Iron, Damp, and Timed (40, 60, or 20 minutes)
- ✓ Two drying temperatures: Normal and Delicate
- ✓ SentryDry™ electronic sensor
- ✓ CoolTouch™ cool-down cycle
- ✓ Automatic anti-crease cycle
- ✓ End-of-program tone
- ✓ Removable double lint filter
- ✓ Every unit 100% factory tested
- ✓ ADA height compliant
- ✓ DuraTech worktop surface
- ✓ 220 volts, 30 amp
- ✓ Flexible installation:
 - Stacked on Eurotech washer
 - Built-in
 - Side-by-side
- ✓ Dimensions:
 - 33-1/4" high
 - 23-3/8" wide
 - 38-3/8" deep w/door open
 - 22-7/8" deep



- ✓ Vented dryer
- ✓ Pairs with EWF172 and EWF150



Specifications are subject to change without notice. See owner's manual for additional details.

Features

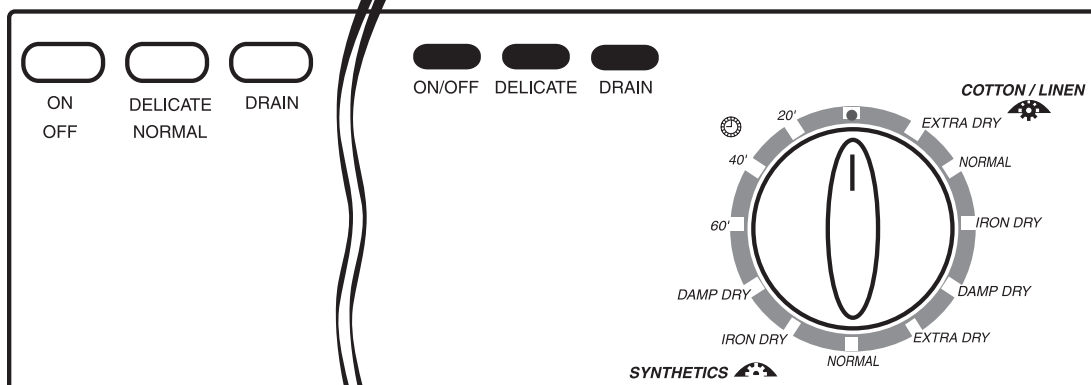
- ✓ EuroStyle Fabric Care System
- ✓ **Internal moisture condenser**
- ✓ Wrinkle-reducing, auto-reversing rotation
- ✓ Stainless steel drum
- ✓ Quick'n'Easy controls
- ✓ Five programs:
 - Extra, Normal, Iron, Damp, and Timed (40, 60, or 20 minutes)
- ✓ Two drying temperatures: Normal and Delicate
- ✓ SentryDry™ electronic sensor
- ✓ CoolTouch™ cool-down cycle
- ✓ Automatic anti-crease cycle
- ✓ End-of-program tone
- ✓ Removable double lint filter
- ✓ Water containment system
- ✓ Every unit 100% factory tested
- ✓ ADA height compliant
- ✓ DuraTech worktop surface
- ✓ 220 volts, 30 amp
- ✓ 2500 watt heating element
- ✓ Reversible door
- ✓ Flexible installation:
 - Stacked on Eurotech washer
 - Built-in
 - Side-by-side
- ✓ Dimensions:
 - 33-1/4" high
 - 23-3/8" wide
 - 45-1/8" deep w/door open
 - 22-3/8" deep

MODEL EDC158



- ✓ Condenser dryer
- ✓ Pairs with EWF172 and EWF150

Control Panel



Features

- ✓ EuroStyle Fabric Care System
- ✓ Large capacity
- ✓ Three spin speeds: Delicate (550 rpm), Perma Press (800 rpm), and Normal (1200 rpm)
- ✓ Serenity™ Plus Load Management System
- ✓ Quick'n'Easy controls
- ✓ Stainless steel inner tank
- ✓ Stainless steel outer tank
- ✓ PumpSaver™ coin trap
- ✓ Four shock suspension
- ✓ Internal water heater
- ✓ Average water consumption: 20-gal. wash program
- ✓ Programs:
 - Regular: Heavy Stain, Whites, Colorfast, Color
 - Synthetics: Heavy Stain, Colorfast, Color
 - Delicate: Wool/Hand wash, Quick wash
- ✓ Prewash option
- ✓ Three rinses plus Extra Rinse option
- ✓ WaterSaver™ control system
- ✓ Detergent and fabric softener dispenser
- ✓ Overfill protection
- ✓ Internal moisture condensing drying
- ✓ Wrinkle-reducing, auto-reversing rotation
- ✓ Drying times: 20 to 140 minutes
- ✓ CoolTouch™ cool-down cycle
- ✓ End-of-program tone
- ✓ Water containment system
- ✓ 110/115 volt, 15 amp
- ✓ 1300 watt heating element
- ✓ ADA height compliant
- ✓ DuraTech worktop surface
- ✓ Every unit 100% factory tested
- ✓ Dimensions:
 - 33-1/4" high
 - 23-3/8" wide
 - 38-3/4" deep w/door open
 - 23-1/8" deep

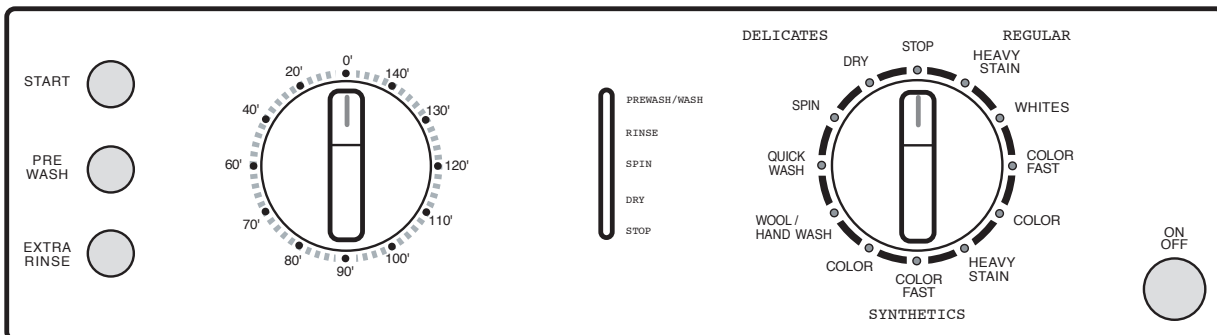
MODEL EWC177



- ✓ Washer/Dryer Combination
- ✓ Internal moisture condenser
- ✓ 1200 rpm spin speed
- ✓ Electronic controls
- ✓ Stainless steel inner and outer tanks
- ✓ 110/115 volt, 15 amp
- ✓ 1300 watt heating element

Combination Washer and Dryer

Control Panel

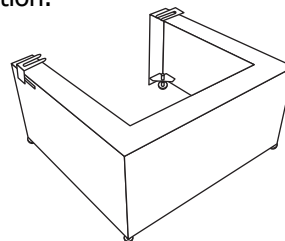


Specifications are subject to change without notice. See owner's manual for additional details.

12" Laundry Platform With 4 Adjustable Feet

Raises washer or dryer 12" for easier loading and unloading.
Triple-dipped, rust-resistant 12-gauge steel powder coated in white or black.
Enclosed on all visible sides for attractive installation.
Includes four adjustable feet.

White PN: 8052000-1
Black PN: 8052000-2
Titanium PN: 8052000-3



Stacking Kit

Necessary hardware to secure the dryer to the top of the washer.

EWF150 Stacking Kit PN: 5stackkit
EWF172 Stacking Kit PN: 7stackkit
EWF272 Stacking Kit PN: 7stackkit
EDV272 Stacking Kit PN: 7stackkit
EDV158 Stacking Kit PN: 7stackkit

Decorative Frame

Installs between a stacked pair to provide a single unit appearance.

PN: 722001200

Applies only to EWF150/EDV158 models when used as a stacked pair.

A 2 1/2 Toe Kick is available for ADA applications.

PN: 805SC- W, B, M

Washer and Dryer Warranty

- 1 Year: All parts and labor
- 2 Years: All parts
- 5 Years: Parts replacement for motor controller, drain pump and motor, and wash motor
- 5 Years: Parts replacement for cabinet rust-through
- 99 Years: Stainless steel tubs—parts only

(See Warranty Certificate provided with appliance for details.)

MODEL EDW294E



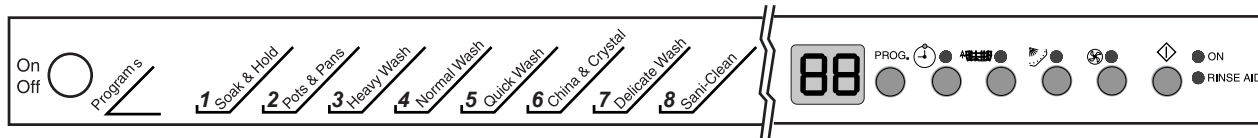
Features

- ✓ Sleek European styling
- ✓ Hidden controls
- ✓ Accepts custom door panel or optional one-piece steel doors (see next page)
- ✓ Fully electronic operating system
- ✓ LED readout, fault indicator and time remaining
- ✓ Start/Stop button
- ✓ EnergyStar™ rated
- ✓ Energy conserving programs
- ✓ Water Usage:
 - Normal program: 3.9 gallons
 - Pots/Pans program: 7.0 gallons
- ✓ Delay start (1 to 16 hours)
- ✓ EuroStyle™ wash system
- ✓ Option to wash only upper or lower basket
- ✓ Wash temperatures:
 - Prewash: 160° F
 - Wash: Household hot, 125° F, 160° F
 - Rinse: Household hot, 130° F, 160° F
- ✓ Eight programs: Soak & Hold, Pots & Pans, Heavy, Normal, Quick, China & Crystal, Delicate, Sani-Clean
- ✓ Programmable
- ✓ Rinse aid indicator light
- ✓ Adjustable rinse aid dispenser
- ✓ Five-way spray system
- ✓ Holds 12+ five-piece place settings
- ✓ Adjustable upper basket
- ✓ Upper basket can hold items up to 9.5" tall
- ✓ Fold-down/adjustable lower basket tines
- ✓ Unrestricted loading flexibility
- ✓ Cutlery basket lid with extra partitions
- ✓ EuroDry fan drying system
- ✓ Adjustable dry times of 20
- ✓ Dual pumps and motors
- ✓ Pumps and motors insulated from tank
- ✓ 100% triple filtration - self cleaning
- ✓ Ribbed steel exterior case

- ✓ Fully electronic
- ✓ Hidden controls
- ✓ Requires custom door panel
- ✓ EuroDry™ fan drying
- ✓ SilenTech™ Premium package
- ✓ Stainless steel tank
- ✓ Top or bottom wash option

- ✓ SilenTech plus insulation package
- ✓ Stainless steel tank
- ✓ One-piece base pan
- ✓ Stainless steel, self-cleaning filtration system
- ✓ Express Connect (water, power, & drain connections factory installed)
- ✓ Dimensions:
 - 45-3/8" deep w/door open
 - 21-7/8" deep
 - 32-35" high
 - 23-15/16" wide

Control Panel



MODEL EDW274E

Features

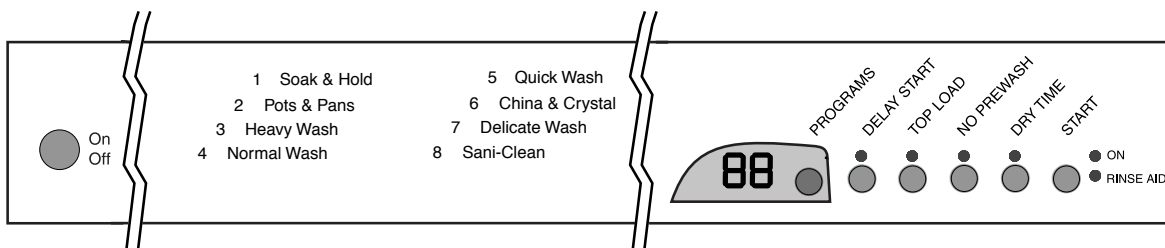
- ✓ Sleek European styling
- ✓ Fully electronic operating system
- ✓ LED readout, fault indicator and time remaining
- ✓ Start/Stop button
- ✓ EnergyStar™ rated
- ✓ Energy conserving programs
- ✓ Water Usage:
 - Normal program: 3.9 gallons
 - Pots/Pans program: 7.0 gallons
- ✓ Delay start (1 to 16 hours)
- ✓ EuroStyle™ wash system
- ✓ Option to wash only upper or lower basket
- ✓ Wash temperatures:
 - Prewash: 160° F
 - Wash: Household hot, 125° F, 160° F
 - Rinse: Household hot, 130° F, 160° F
- ✓ Eight programs: Soak & Hold, Pots & Pans, Heavy, Normal, Quick, China & Crystal, Delicate, Sani-Clean
- ✓ Programmable
- ✓ Rinse aid indicator light
- ✓ Adjustable rinse aid dispenser
- ✓ Five-way spray system
- ✓ Holds 12+ five-piece place settings
- ✓ Adjustable upper basket
- ✓ Upper basket holds items up to 9.5" tall
- ✓ Fold-down/adjustable lower basket tines
- ✓ Unrestricted loading flexibility
- ✓ Cutlery basket lid with extra partitions
- ✓ EuroDry fan drying system
- ✓ Adjustable dry times of 20
- ✓ Dual pumps and motors
- ✓ Pumps and motors insulated from tank
- ✓ 100% triple filtration
- ✓ Ribbed steel exterior case
- ✓ SilenTech Plus™ insulation package



- ✓ Fully electronic controls
- ✓ White, black, or graphite
- ✓ EuroDry™ fan drying
- ✓ SilenTech™ Premium package
- ✓ Stainless steel tank
- ✓ Top or bottom wash option

- ✓ Stainless steel tank
- ✓ One-piece base pan
- ✓ Stainless steel, self-cleaning filtration system
- ✓ ADA height compliant
- ✓ Express Connect (water, power & drain connections factory installed)
- ✓ Dimensions:
 - 45-1/2" deep w/door open
 - 23-5/16" deep
 - 32-35" high
 - 23-15/16" wide

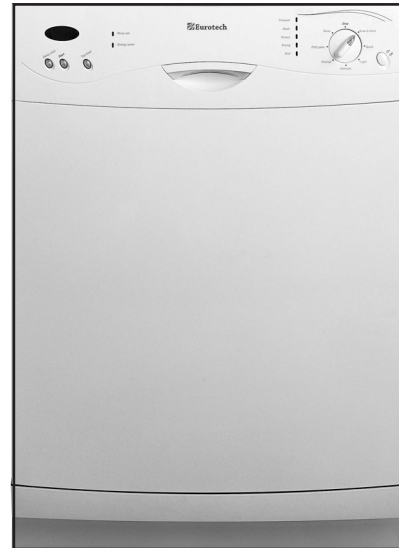
Control Panel



EDW254E

Features

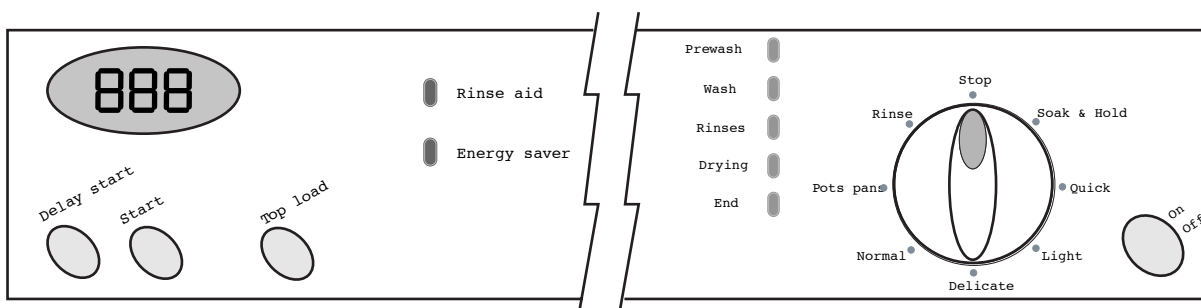
- ✓ Sleek European styling
- ✓ Electronic knob control system
- ✓ LED readout, fault indicator and time remaining
- ✓ Start/Stop button
- ✓ EnergyStar™ rated
- ✓ Energy conserving programs
- ✓ Water Usage:
 - Normal program: 3.9 gallons
 - Pots/Pans program: 7.0 gallons
- ✓ Delay start (1 to 16 hours)
- ✓ EuroStyle™ wash system
- ✓ Option to wash only upper or lower basket
- ✓ Wash temperatures:
 - Prewash: 150° F
 - Wash: Household hot, 125° F, 150° F
 - Rinse: Household hot, 130° F, 160° F
- ✓ Seven programs: Soak & Hold, Quick, Light, Delicate, Normal, Pots/Pans, Rinse & Dry
- ✓ Rinse aid indicator light
- ✓ Adjustable rinse aid dispenser
- ✓ Five-way spray system
- ✓ Holds 12+ five-piece place settings
- ✓ Adjustable upper basket
- ✓ Upper basket holds items up to 9.5" tall
- ✓ Fold-down/adjustable lower basket tines
- ✓ Unrestricted loading flexibility
- ✓ Cutlery basket lid with extra partitions
- ✓ EuroDry™ fan drying system
- ✓ Dual pumps and motors
- ✓ Pumps and motors insulated from tank
- ✓ 100% triple filtration - self cleaning
- ✓ Ribbed steel exterior case
- ✓ Stainless steel tank
- ✓ SilenTech™ Plus insulation package
- ✓ One-piece base pan



- ✓ Electronic knob controls
- ✓ White, black, graphite, stainless black
- ✓ EuroDry™ fan drying
- ✓ SilenTech™ Plus package
- ✓ Stainless steel tank
- ✓ Top or bottom wash option

- ✓ Stainless steel, self-cleaning filtration system
- ✓ ADA height compliant
- ✓ Express Connect (water, power & drain connections factory installed)
- ✓ Dimensions:
 - 45-1/2" deep w/door open
 - 23-5/16" deep
 - 32-35" high
 - 23-15/16" wide

Control Panel



MODEL EDW242C

Features

- ✓ Sleek European styling
- ✓ Electronic control
- ✓ EnergyStar™ rated
- ✓ Water Usage:
 - Normal program: 4.1 gallons
 - Pots/Pans program: 7.0 gallons
- ✓ Energy-conserving programs
- ✓ EuroStyle™ wash system
- ✓ Wash temperatures:
 - Prewash: 130° F
 - Wash: 105°/130°/150° F
 - Rinse: 105°/130°/140° F
- ✓ Six programs: Normal, Pots & Pans, Soak & Hold, Light
- ✓ Heated prewash option
- ✓ Low Temperature option
- ✓ Adjustable rinse aid dispenser
- ✓ Five-way spray system
- ✓ Holds 12+ Five-piece place settings
- ✓ Adjustable upper basket
- ✓ Upper basket holds items up to 9.5" tall
- ✓ Convection dry
- ✓ Dual pumps and motors
- ✓ Pumps and motors insulated from tank
- ✓ 100% triple filtration - self cleaning
- ✓ Ribbed steel exterior case
- ✓ SilenTech™ Insulation package
- ✓ Stainless steel tank
- ✓ One-piece base pan
- ✓ Stainless steel, self-cleaning filtration system
- ✓ ADA height compliant
- ✓ Express connect (water, power cord, & drain connections factory installed)
- ✓ Dimensions:
 - 45-1/2" deep w/door open
 - 23-5/16" deep



- ✓ Electronic controls
- ✓ White, black or stainless black
- ✓ SilenTech™ package
- ✓ Stainless steel tank

One-Piece Door Panel for EDW294E

Optional one-piece door panel with SureGrip handle. Available in white, black, bisque, or stainless steel.

Each door shipped with necessary hardware.

These items are supplied with the one-piece door panels:

- One-piece door
- Color-coordinated toe kick
- Door handle
- Handle support bracket
- Two 1/2" machine screws for handle
- Two 1/2" sheet metal screws for toe kick

PN:	White	750163400
	Black	750163600
	Bisque	750163700
	Stainless Steel	750163800

Shipping Weight: 14 lbs.



Panel installation screws / hardware are included in the dishwasher unit.

Dishwasher Warranty

- 1 Year: All parts and labor
- 2 Years: All parts
- 5 Years: Parts replacement on motors, pumps, electronic controls and nylon racks
- 5 Years: Parts replacement for cabinet rust-through
- 99 Years: Parts replacement on stainless steel tubs

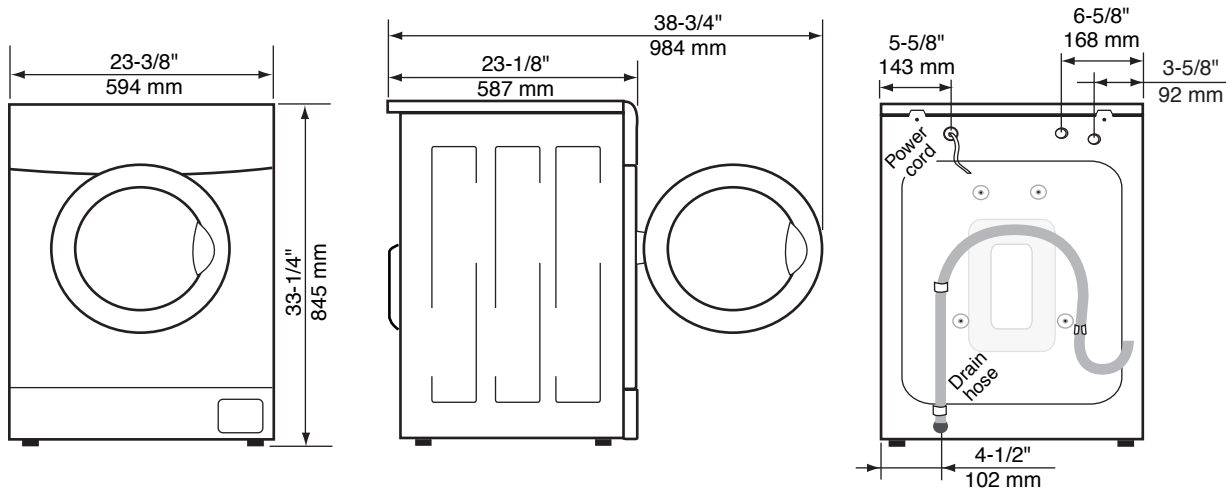
(See Warranty Certificate provided with appliance for details.)

IMPORTANT NOTICE!

- **Installation of these appliances should be carried out by a qualified person who is familiar with all local codes and ordinances for electrical and plumbing connections. Incorrect installation may cause damage and/or injury.**
- **The appliance must be properly grounded. Refer to the owner's manual for instructions.**

WASHER DIMENSIONS

EWF172 and EWF272EL



Technical Data

- Supply voltage: Single phase 115 V, 60 Hz
- Fuse/Breaker: 15 amp minimum
- Inlet supply hose: Two 5-feet (1.5 m) fill hoses (hot and cold)
- Supply pressure: 15-142 PSI
- Outlet hose: 5.5 feet (1.7 m) polypropylene hose, 3/4" ID

WARNING!

This appliance must be properly grounded. Refer to the owner's manual for instructions. Second-floor (above grade) installations must meet all local building codes.

Installation should be carried out by a qualified person who is familiar with all local codes and ordinances for electrical and plumbing connections. Incorrect installation may cause damage and/or injury.

The machine can be installed anywhere provided that the temperature is not less than 38° F and the electrical cords and hoses behind the machine are not cramped.

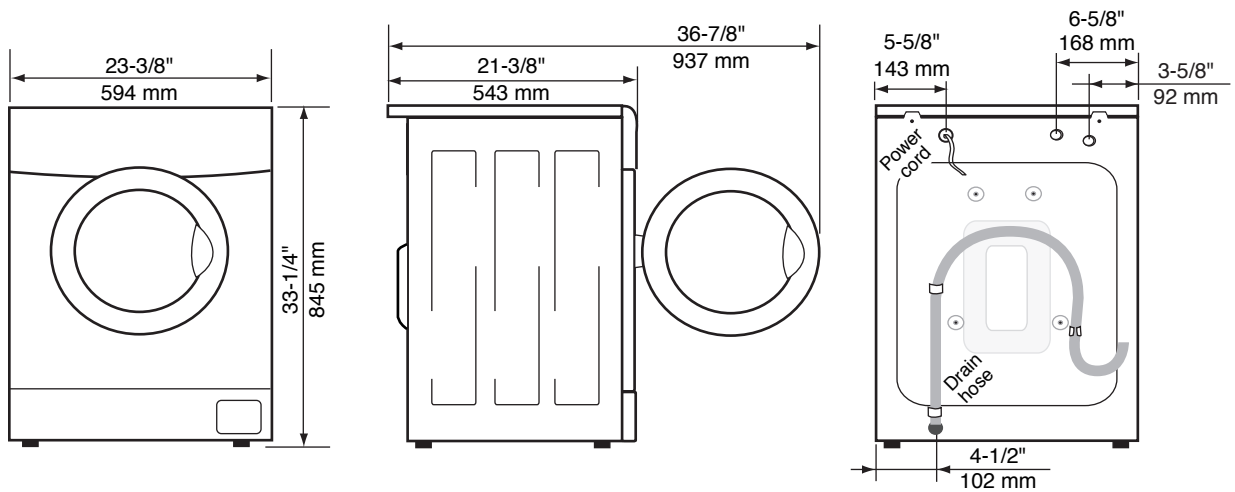
When placing the washer next to a wall or cabinet, be sure to leave 1/2" (12 mm) of space between the washer and the wall or cabinet.

The drain outlet should be positioned at a height between 23" (584 mm) and 35" (889 mm) from the bottom of the unit.

See pages 23—28 for stacked washer/dryer dimensions.

WASHER DIMENSIONS

EWF150



Technical Data

- Supply voltage: Single phase 115 V, 60 Hz
- Fuse/Breaker: 15 amp minimum
- Inlet supply hose: Two 5-feet (1.5 m) fill hoses (hot and cold)
- Supply pressure: 15-142 PSI
- Outlet hose: 5.5 feet (1.7 m) polypropylene hose, 3/4" ID

WARNING!

This appliance must be properly grounded. Refer to the owner's manual for instructions. Second-floor (above grade) installations must meet all local building codes.

Installation should be carried out by a qualified person who is familiar with all local codes and ordinances for electrical and plumbing connections. Incorrect installation may cause damage and/or injury.

The machine can be installed anywhere provided that the temperature is not less than 38° F and the electrical cords and hoses behind the machine are not cramped.

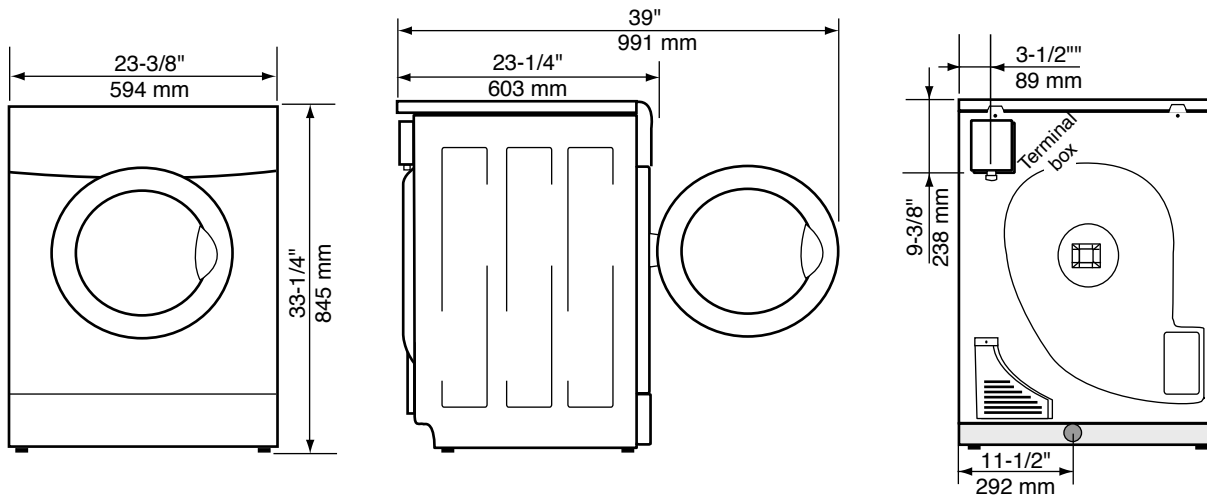
When placing the washer next to a wall or cabinet, be sure to leave 1/2" (12 mm) of space between the washer and the wall or cabinet.

The drain outlet should be positioned at a height between 23" (584 mm) and 35" (889 mm) from the bottom of the unit.

See pages 23—28 for stacked washer/dryer dimensions.

VENTED DRYER DIMENSIONS

EDV278EL



Technical Data

Drying system: External discharge

Supply voltage: 220/230 V, 60 Hz

Heater loading: 3300 watt

Fuse/breaker: 30 A

WARNING!

To reduce the risk of fire, vented dryers must be exhausted OUTDOORS or the equivalent. This appliance should never be exhausted into a chimney, wall, ceiling, or concealed space of a building. Use only a metal ventialtion grill.

Never cover the end of the dryer stub or vent hose with anything to catch lint, except for a UL-approved vent basket.

This appliance must be properly grounded. Refer to the owner's manual for instructions.

Installation should be carried out by a qualified person who is familiar with all local codes and ordinances for electrical connections. Incorrect installation may cause damage and/or injury. You will need a UL-CSA-approved exhaust hose. Excessive hose and too many bends can impede drying performance. Cut off any excess hose and run the hose with as few bends as possible. Make any bends as gentle as possible.

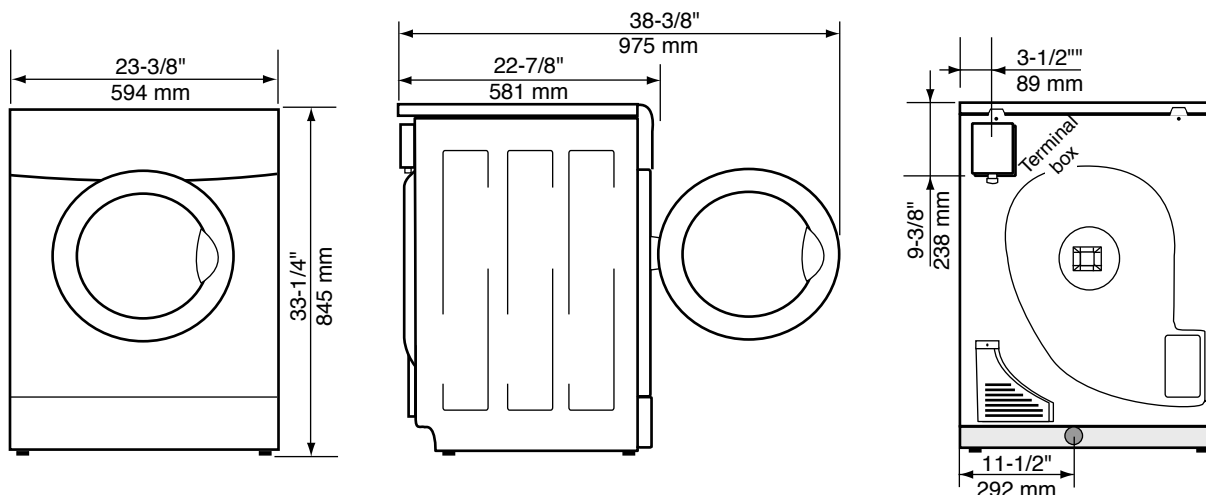
There must be a ventilation outlet to the exterior for the exhaust hose. The machine can be installed in any room with a hard floor. Do not install it on carpeting with heavy pile.

When placing the dryer next to a wall or cabinet, be sure to leave 1/2" (12 mm) of space between the machine and the wall or cabinet.

See pages 23—28 for stacked washer/dryer dimensions.

VENTED DRYER DIMENSIONS

EDV158



Technical Data

Drying system: External discharge

Supply voltage: 210/230 V, 60 Hz

Heater loading: 2500 watt

Fuse/breaker: 30 A

WARNING!

To reduce the risk of fire, vented dryers must be exhausted OUTDOORS or the equivalent. This appliance should never be exhausted into a chimney, wall, ceiling, or concealed space of a building. Use only a metal ventiation grill.

Never cover the end of the dryer stub or vent hose with anything to catch lint, except for a UL-approved vent basket.

This appliance must be properly grounded. Refer to the owner's manual for instructions.

Installation should be carried out by a qualified person who is familiar with all local codes and ordinances for electrical connections. Incorrect installation may cause damage and/or injury. You will need a UL-CSA-approved exhaust hose. Excessive hose and too many bends can impede drying performance. Cut off any excess hose and run the hose with as few bends as possible. Make any bends as gentle as possible.

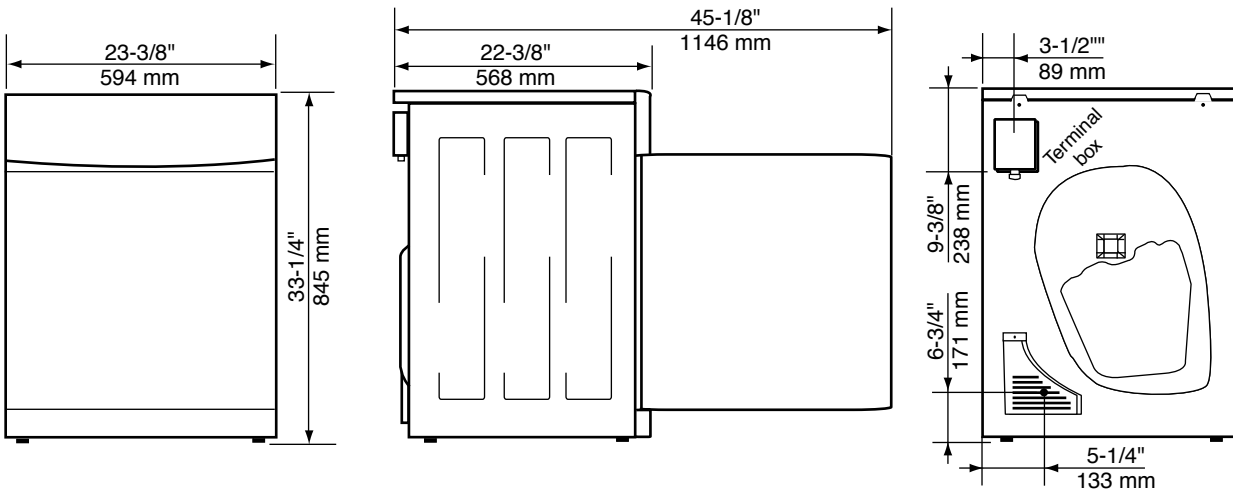
There must be a ventilation outlet to the exterior for the exhaust hose. The machine can be installed in any room with a hard floor. Do not install it on carpeting with heavy pile.

When placing the dryer next to a wall or cabinet, be sure to leave 1/2" (12 mm) of space between the machine and the wall or cabinet.

See pages 23—28 for stacked washer/dryer dimensions.

CONDENSER DRYER DIMENSIONS

EDC158



Technical Data

Drying system: Internal Condenser (non-venting)

Supply voltage: 208/230 V, 60 Hz

Heater loading: 2500 watt

Fuse/breaker: 30 A

WARNING!

This appliance must be properly grounded. Refer to the owner's manual for instructions.

Installation should be carried out by a qualified person who is familiar with all local codes and ordinances for electrical and plumbing connections. Incorrect installation may cause damage and/or injury.

When placing the dryer next to a wall or cabinet, be sure to leave 1/2" (12 mm) of space between the machine and the wall or cabinet. Make sure the air vents on the front of the machine are not covered.

If possible you should install the dryer so the condensed water will continuously flow into a drain or sink. The drain outlet should be positioned no higher than 35" (889 mm) from the bottom of the unit. Refer to the owner's manual for instructions.

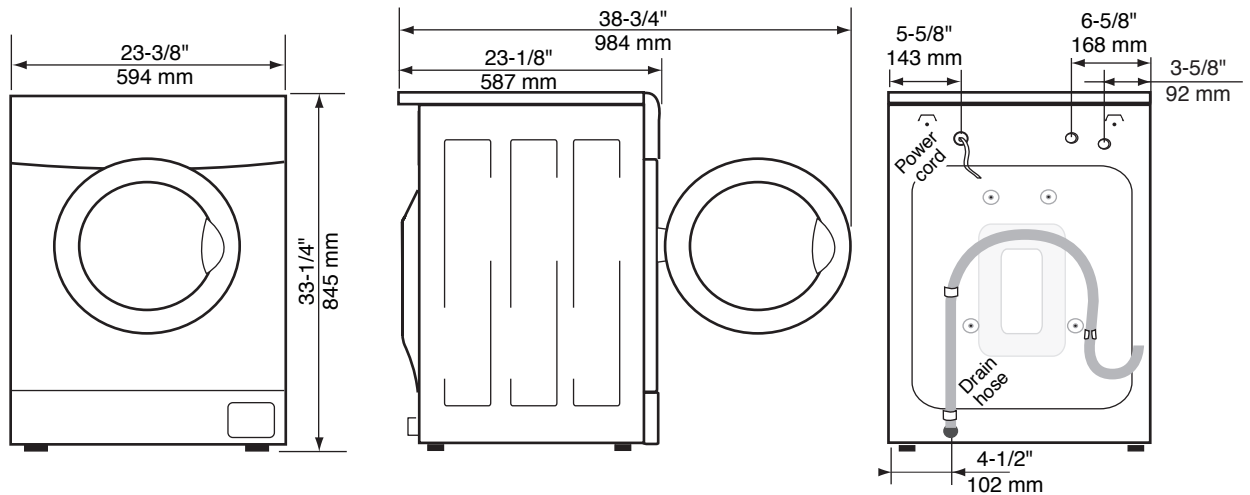
The machine can be installed in any room with a hard floor. Do not install it on carpeting with heavy pile.

The door hinges on the condenser dryer can be reversed to make loading and unloading the dryer more convenient. Refer to the owner's manual for instructions.

See pages 23—28 for stacked washer/dryer dimensions.

COMBINATION WASHER/DRYER DIMENSIONS

EWC177



Technical Data

- Supply voltage: Single phase 115 V, 60 Hz
- Fuse/Breaker: 15 amp minimum
- Inlet supply hose: Two 5-foot (1.5 m) fill hoses (hot and cold)
- Supply pressure: 15-142 PSI
- Outlet hose: 5.5 feet (1.7 m) polypropylene hose, 3/4" ID
- Drying system: Internal Condenser (non-venting)

WARNING!

This appliance must be properly grounded. Refer to the owner's manual for instructions.

Installation should be carried out by a qualified person who is familiar with all local codes and ordinances for electrical and plumbing connections. Incorrect installation may cause damage and/or injury. Second-floor (above grade) installations must meet all local building codes.

When placing the machine next to a wall or cabinet, be sure to leave 1/2" (12 mm) of space between the machine and the wall or cabinet.

The drain outlet should be positioned at a height between 23" (584 mm) and 35" (889 mm) from the bottom of the unit. Refer to the owner's manual for instructions.

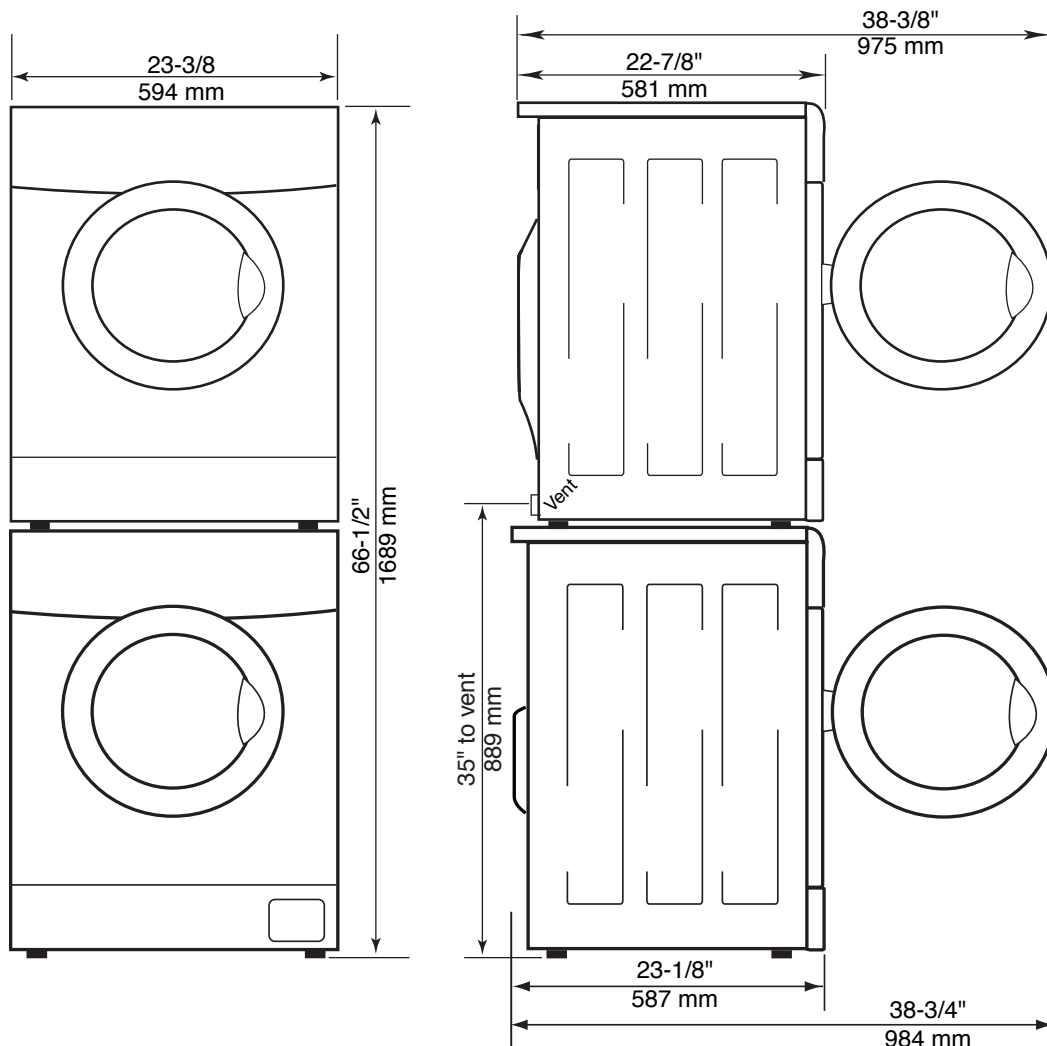
The drying process is an internal condensing system, so the moisture is evacuated through the drain hose. Therefore, the drain hose must remain in place through the entire program (washing and drying).

The machine can be installed anywhere provided that the temperature is not less than 38° F and the electrical cords and hoses behind the machine are not cramped.

The machine should be installed on a hard floor. Do not install it on carpeting with heavy pile.

EWF172 WASHER AND EDV158 DRYER OR EWF272EL WASHER AND EDV278EL DRYER

Unit Dimensions



WARNING!

Never stack a washer on top of a dryer!

Secure the dryer to the top of the washer with the stacking kit designed specifically for these appliances. (See page 10.)

These appliances must be properly grounded. Refer to the owner's manual for instructions.

Installation should be carried out by a qualified person who is familiar with all local codes and ordinances for electrical connections. Incorrect installation may cause damage and/or injury. Second-floor (above grade) installations must meet all local building codes.

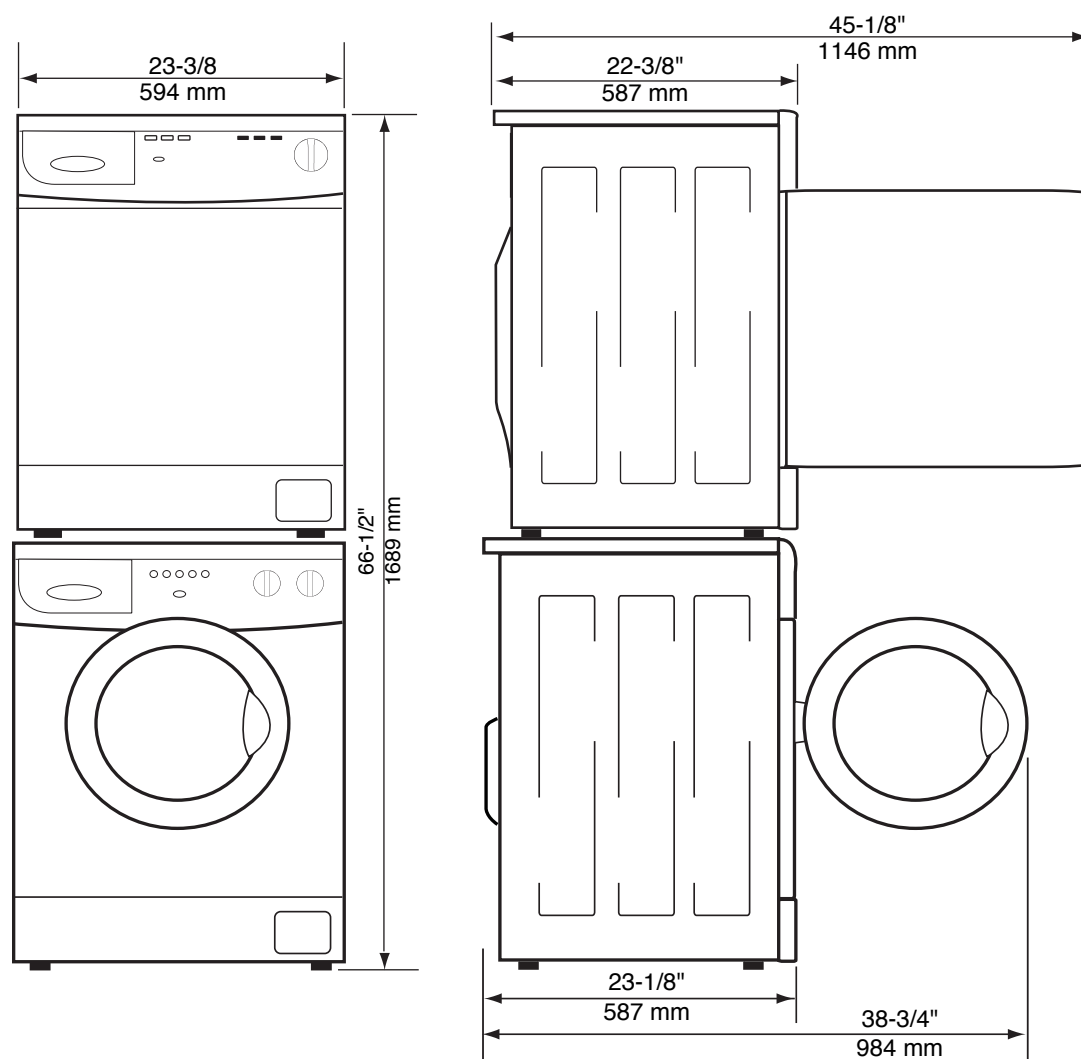
When placing the stacked pair next to a wall or cabinet, be sure to leave 1/2" (12 mm) of space between the units and the wall or cabinet.

The washer drain outlet should be positioned at a height between 23" (584 mm) and 35" (889 mm) from the bottom of the unit.

See page 19 for venting requirements.

EWF172 WASHER AND EDC158 DRYER

Unit Dimensions



WARNING!

Never stack a washer on top of a dryer!

Secure the dryer to the top of the washer with the stacking kit designed specifically for these appliances. (See page 10.)

These appliances must be properly grounded. Refer to the owner's manual for instructions.

Installation should be carried out by a qualified person who is familiar with all local codes and ordinances for electrical and plumbing connections. Incorrect installation may cause damage and/or injury. Second-floor (above grade) installations must meet all local building codes.

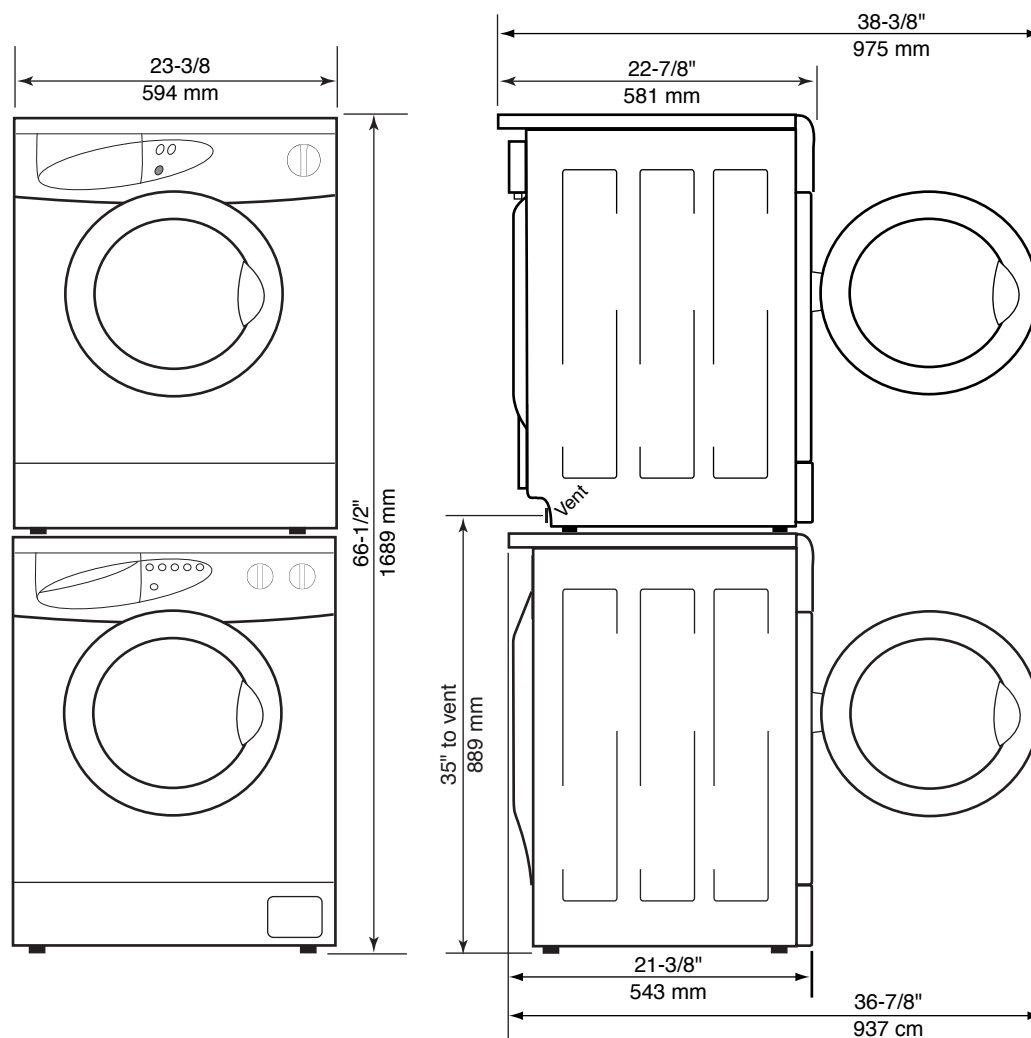
When placing the stacked pair next to a wall or cabinet, be sure to leave 1/2" (12 mm) of space between the units and the wall or cabinet.

The washer drain outlet should be positioned at a height between 23" (584 mm) and 35" (889 mm) from the bottom of the unit. If possible you should also install the dryer so the condensed water flows into the drain. Refer to the owner's manual for instructions.

The door hinges on the condenser dryer can be reversed to make loading and unloading the dryer more convenient. Refer to the owner's manual for instructions.

EWF150 WASHER AND EDV158 DRYER

Unit Dimensions



WARNING!

Never stack a washer on top of a dryer!

Secure the dryer to the top of the washer with the stacking kit designed specifically for these appliances. (See page 10.)

These appliances must be properly grounded. Refer to the owner's manual for instructions.

Installation should be carried out by a qualified person who is familiar with all local codes and ordinances for electrical connections. Incorrect installation may cause damage and/or injury. Second-floor (above grade) installations must meet all local building codes.

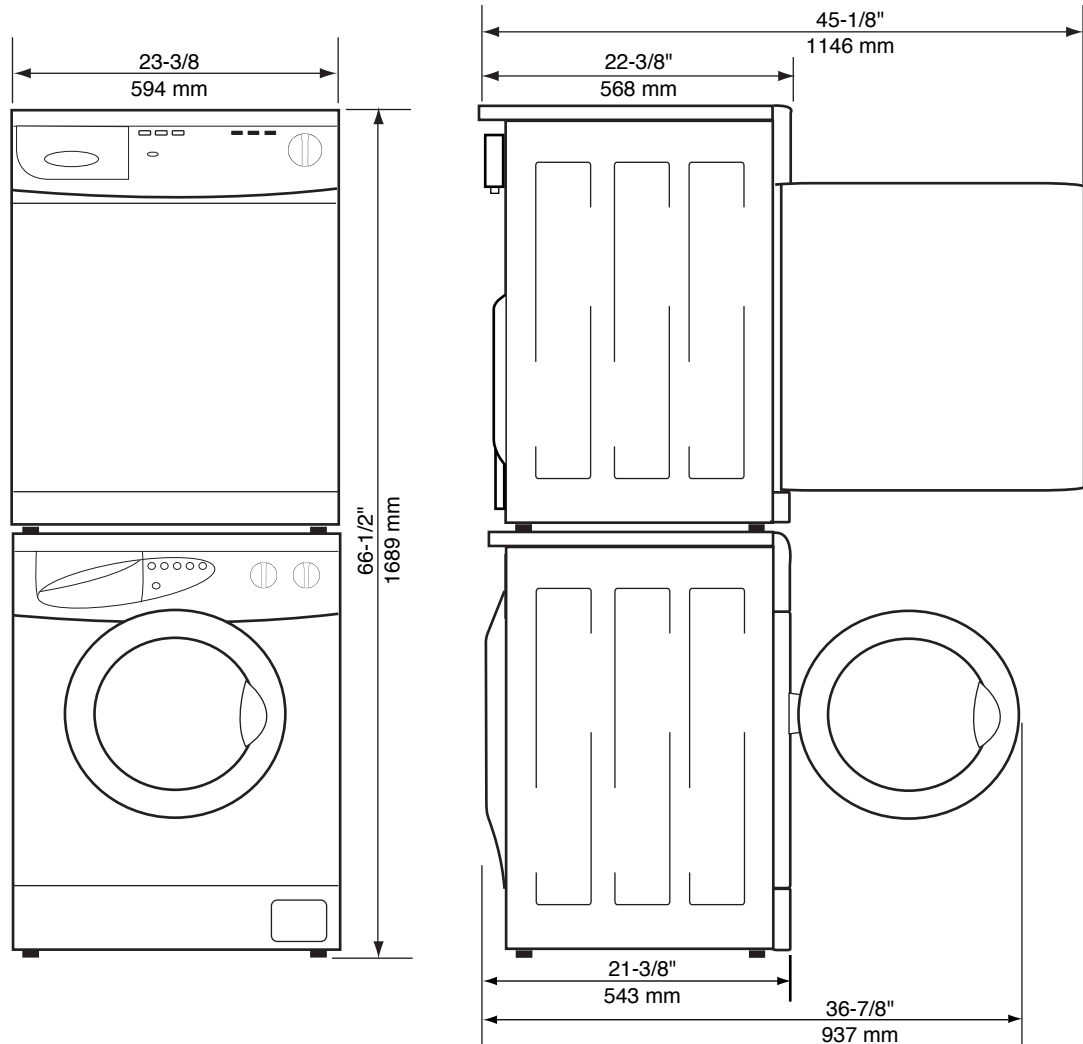
When placing the stacked pair next to a wall or cabinet, be sure to leave 1/2" (12 mm) of space between the units and the wall or cabinet.

The washer drain outlet should be positioned at a height between 23" (584 mm) and 35" (889 mm) from the bottom of the unit.

See page 19 for venting requirements.

EWF150 WASHER AND EDC158 DRYER

Unit Dimensions



WARNING!

Never stack a washer on top of a dryer!

Secure the dryer to the top of the washer with the stacking kit designed specifically for these appliances. (See page 10.)

These appliances must be properly grounded. Refer to the owner's manual for instructions.

Installation should be carried out by a qualified person who is familiar with all local codes and ordinances for electrical and plumbing connections. Incorrect installation may cause damage and/or injury. Second-floor (above grade) installations must meet all local building codes.

When placing the stacked pair next to a wall or cabinet, be sure to leave 1/2" (12 mm) of space between the units and the wall or cabinet.

The washer drain outlet should be positioned at a height between 23" (584 mm) and 35" (889 mm) from the bottom of the unit. If possible you should also install the dryer so the condensed water flows into the drain. Refer to the owner's manual for instructions.

The door hinges on the condenser dryer can be reversed to make loading and unloading the dryer more convenient. Refer to the owner's manual for instructions.

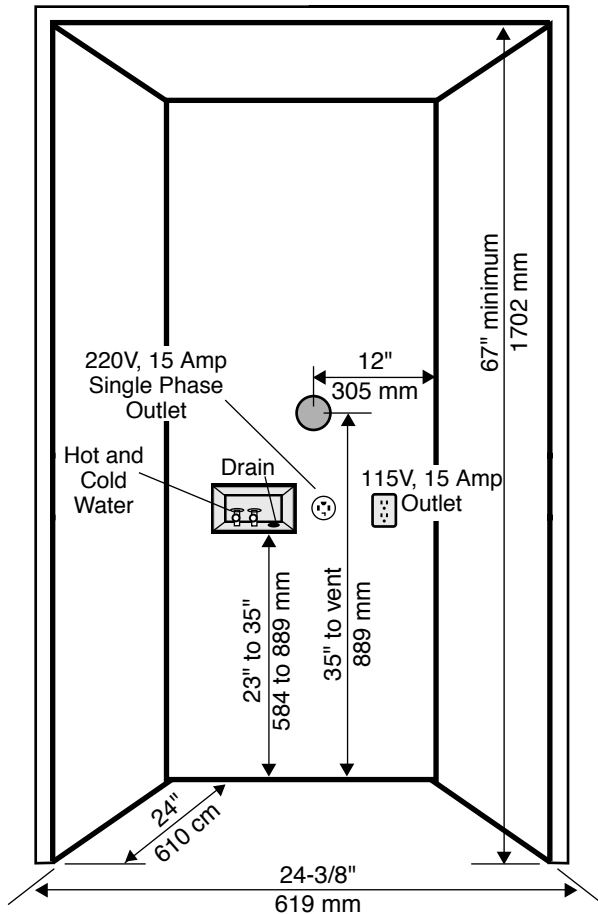
WASHER AND VENTED DRYER

Eurotech's front panel controls make it possible to install the washers and dryers in a cabinet or closet. Installation should be carried out by a qualified person who is familiar with all local codes and ordinances for electrical and plumbing connections. Incorrect installation may cause damage and/or injury.

Second-floor (above grade) installations must meet all local building codes.

Make sure there is a 1/2" (12 mm) minimum clearance between the units and the units and cabinet.

Opening Dimensions



The washer drain outlet should be positioned at a height between 23" (584 mm) and 35" (889 mm) from the bottom of the unit. Refer to the owner's manual for instructions.

See page 18 for venting requirements.

If you are installing the pair in a closet, it is best to use louvered doors to ensure proper air circulation.

WARNING!

These appliances must be properly grounded. Refer to the owner's manual for instructions.

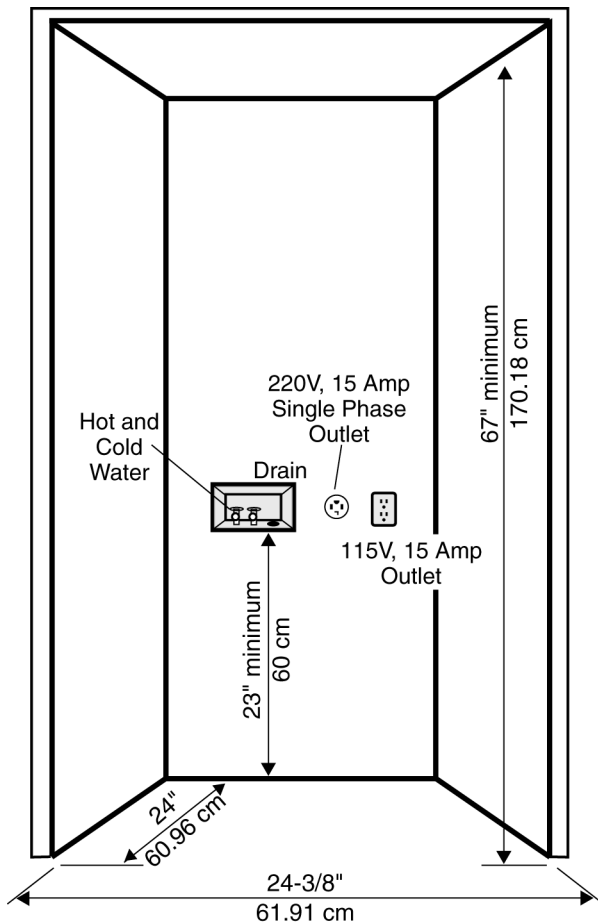
Make sure the electrical cords and hoses behind the units are not cramped.

To reduce the risk of fire, vented dryers must be exhausted OUTDOORS or the equivalent.

Never cover the end of the dryer stub or vent hose with anything to catch lint, except for a UL-approved vent basket.

WASHER AND CONDENSER DRYER

Opening Dimensions



The washer drain outlet should be positioned at a height between 23" (584 mm) and 35" (889 mm) from the bottom of the unit. If possible you should install the dryer so the condensed water continuously flows into the drain. Refer to the owner's manual for instructions.

Condenser dryers work best when they have good air circulation. If it is necessary to install the dryer in a cabinet, be sure to leave a gap of at least 1/2" (12 mm) on all sides. If you are installing the pair in a closet, it is best to use louvered doors.

The door hinges on the condenser dryer can be reversed to make loading and unloading the dryer more convenient. Refer to the owner's manual for instructions.

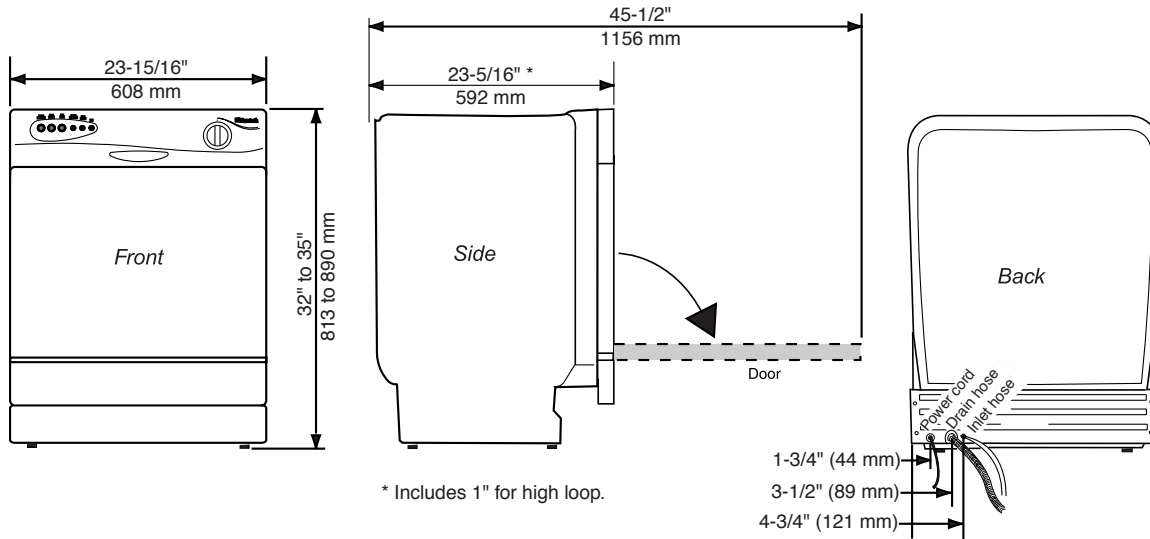
WARNING!

These appliances must be properly grounded. Refer to the owner's manual for instructions.

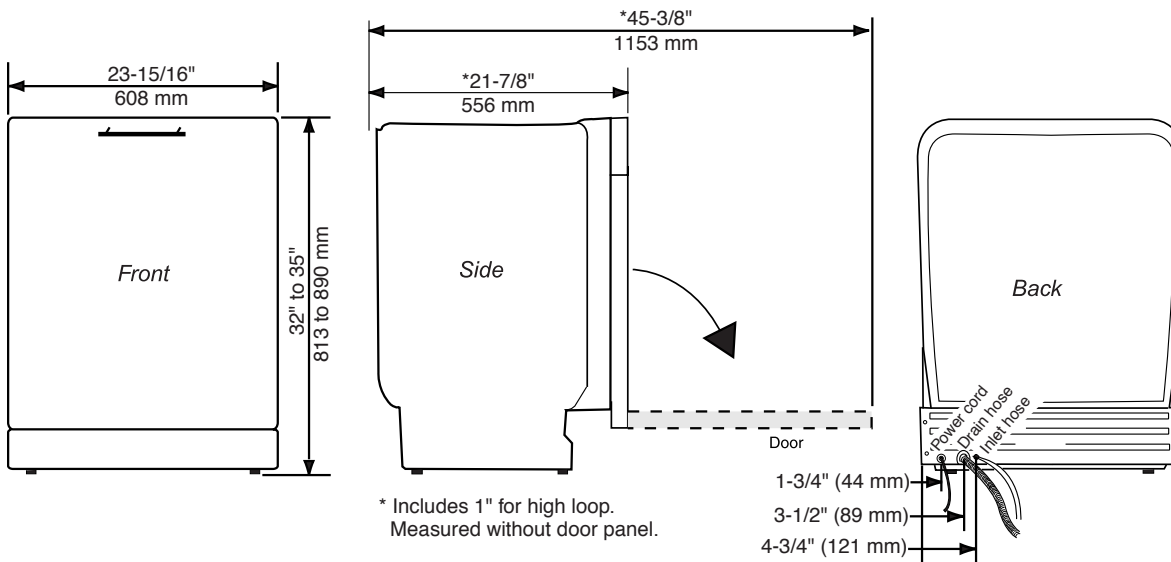
Make sure the electrical cords and hoses behind the units are not cramped.

DISHWASHER DIMENSIONS

EDW242C, EDW254E, AND EDW274E



EDW294E



Technical Data

- Supply voltage: Single phase 110–120 V, 60 Hz
- Fuse/Breaker: 15 amp
- Inlet supply hose: 5.5 feet PEX hose with 3/8" compression fitting
- Supply pressure: 18-176 PSI
- Outlet hose: 5.5 feet (1.7 m) polypropylene hose, 3/4" ID

WARNING!

This appliance must be properly grounded. Refer to the owner's manual for instructions. Make sure the electrical cords and hoses behind the unit are not cramped.

Installation should be carried out by a qualified person who is familiar with all local codes and ordinances for electrical and plumbing connections. Incorrect installation may cause damage and/or injury.

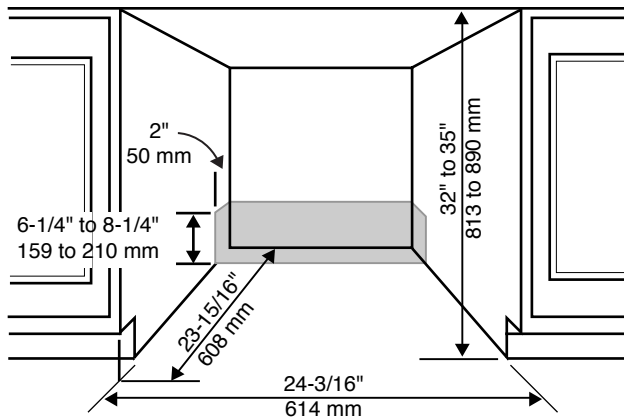
Maintain a 1/8" (3 mm) minimum clearance behind the unit for the high loop drain hose.

Do not use fittings anywhere in the drain line that are less than 5/8" (17 mm) ID.

See page 30 for cutout dimensions for under-cabinet installations. See pages 30 and 31 for information regarding water supply and drain line connections.

UNDER-CABINET INSTALLATIONS

Cabinet Opening Dimensions



The electrical and water supplies should enter on the right side of the machine, a maximum of 2" (50 mm) from the back wall and 6-1/4" to 8-1/4" (159–210 mm) from the floor, depending on the underneath cabinet height, as indicated in the illustration at right.

The access holes should be round and smooth and 1-1/2" (38 mm) in diameter.

Maintain a 1/8" (3 mm) minimum clearance between the dishwasher and the cabinet on all sides.

Water Supply and Electrical Connections

WARNING!

This appliance must be properly grounded. Refer to the owner's manual for instructions.

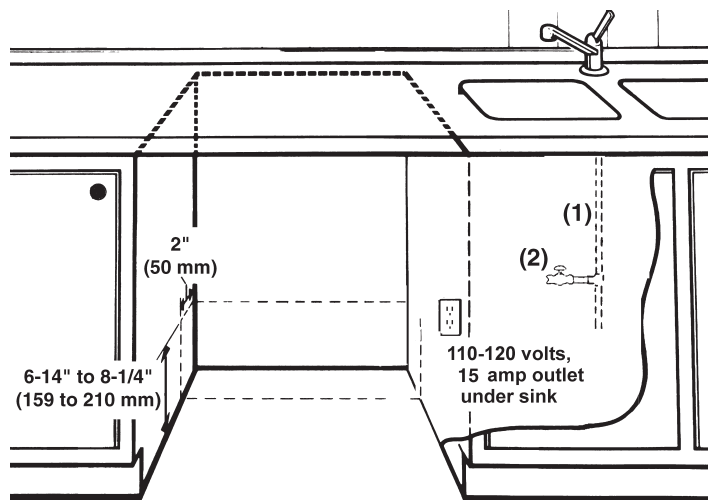
Make sure the electrical cords and hoses behind the unit are not cramped.

Do not use an extension cord with this appliance.

The dishwasher comes with a 110–120 V, 15 amp electrical cord, a 5' PEX inlet hose with 3/8" compression fitting, and a corrugated drain hose.

The water supply flow volume should be at least 3 gallons (12 liters) per minute. The water pressure should be 18–176 psi. For service convenience, a shut-off valve (not supplied) should be installed in the supply line in an easily accessible location, such as beneath the sink.

The power supply receptacle should be installed in a cabinet or on a wall adjacent to the undercounter space in which the dishwasher is installed. If the electrical cord supplied is not long enough or a hard wire installation is needed, refer to the user's manual for instructions.



Be sure to run the PEX water supply line, drain hose, and power supply cord through the hole in the cabinet before moving the dishwasher into place.

- (1) Water supply line
- (2) Shut-off valve (not supplied)

UNDER-CABINET INSTALLATIONS

Drain Connections

Eurotech provides a 5/8" (17 mm) corrugated drain hose with a drain line holder to form a high loop. The high loop is necessary for proper drainage and should be located as close to the dishwasher as possible.

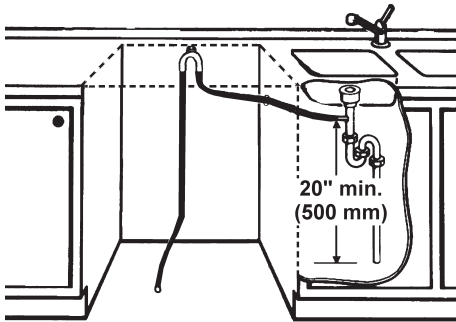
Failure to provide the proper drain connection height (minimum of 20" [508 mm] above the bottom of the dishwasher base) or a 20" [508 mm] high loop will result in improper drainage and could damage the machine. No part of the drain hose should be higher than 35" from the bottom of the dishwasher. Refer to the owner's manual for more details.

Do not use any fittings anywhere in the drain line that are less than 5/8" (17 mm) ID.

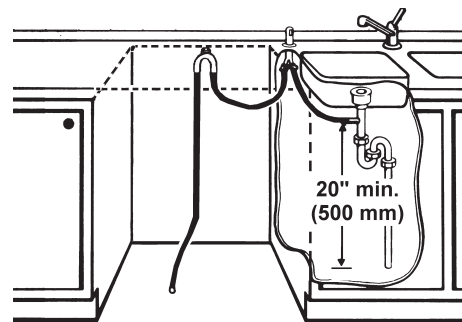
When the installation is ready, open the supply valve and let the pressure act for a while. Then check that all connections are tight and there are no leaks.

The illustrations below show three ways to install drain connections.

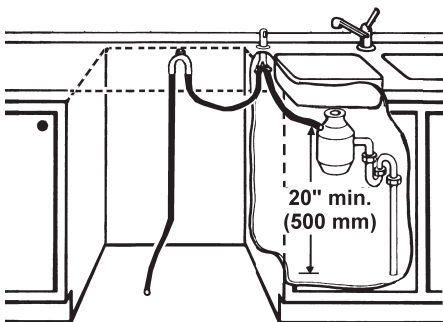
Typical connection to sink plumbing before trap (high loop drain)



Connection to air gap then to the trap.



Connection to waste disposer with air gap. Be sure to remove the knockout or plug from the disposer fitting.



WARNING!

Never run the drain hose straight to a floor well or its equivalent because it might function as a siphon and empty the machine.

Be sure to check inlet and outlet connections for leaks.

FITTING AN EDW294E CUSTOM DOOR PANEL

Model EDW294E can only be installed with a fully-integrated custom door panel that extends from the toe kick to the counter top. The unit comes with everything needed to make installing the door panel easy. The door is predrilled for the panel's mounting screws.

See page 15 for available colors and part numbers.

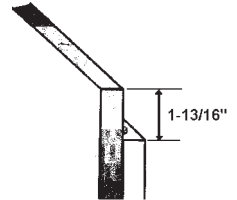


INSTALLING THE ONE-PIECE CUSTOM DOOR PANEL

Before fitting the custom panel, the dishwasher must be installed underneath the cabinet.

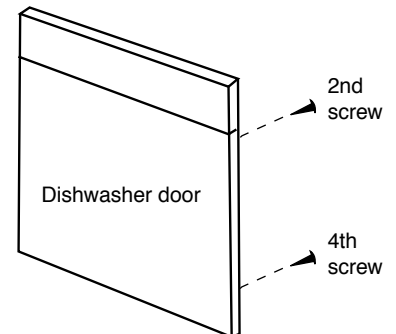
With this installation, the custom panel extends 1-13/16" inches above the dishwasher control panel, as illustrated at right.

This installation also leaves a 2" gap between the top of the dishwasher and the cabinet. We recommend that you install the 2" fill strip that comes with the unit between the upper edge of the dishwasher and the counter to hide the top of the dishwasher and further reduce water noise.



NOTE: Do not fasten the dishwasher to the cabinet until after you have installed the door panel.

1. Remove the custom panel and parts from the packaging.
2. Move the insulation on the back of the custom panel.
3. Slide the handle support bracket to the inside top of the panel.
4. Insert the screws through the support bracket and the panel.
5. Fit the door handle to the screws and secure tightly.
6. Remove the rubber gaskets from inside the dishwasher door and discard.
7. Remove the second and fourth screws from the inside top of the dishwasher door (as illustrated) and discard.
8. With the door slightly open, position the panel with the holes in alignment with the door holes and secure it in place with 2-12" squeeze clamps on both sides.
9. Insert the 1-1/2" screws partially through the dishwasher door.
10. Loosen the clamp on one side enough to align the screws with the holes in the panel.
11. Secure the screws.
12. Repeat steps 9 and 10 for the other side.
13. Close the door and, if necessary, adjust for square by adjusting the front levelling legs for proper height clearance.
14. Fasten the dishwasher to the cabinet (see the owner's manual).



BUILDING A CUSTOM WOOD DOOR PANEL FOR EDW294E

If you prefer, you can build a custom wood door panel for this model to match the cabinets.

CUSTOM WOOD PANEL DIMENSIONS

Width: 23-3/8" (595 mm)

Height: 28-1/4 min. to 30-1/16" max. (718 mm–764 mm)
(Measured from the top of the panel to the lower edge of the kitchen cabinet.)

Thickness: 1/4" (6 mm) min. to 3/4" (19 mm) max.

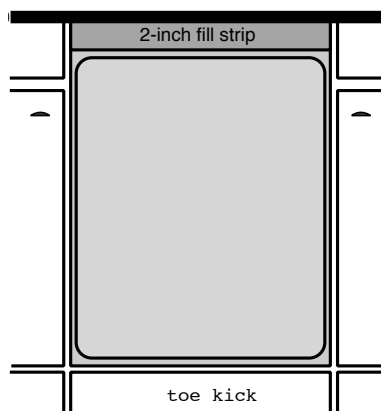
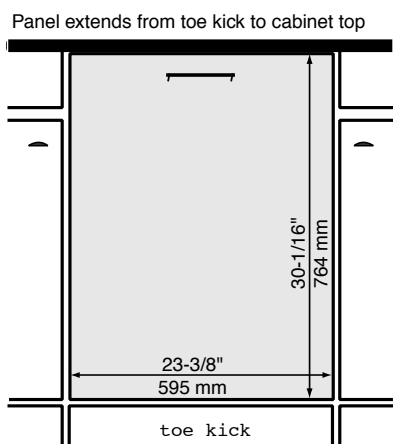
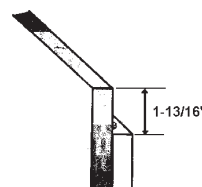
Weight: Up to 22 lb.

NOTE: You will also need to build a custom wood toe kick to match the wood door panel.

CUSTOM WOOD PANELS THAT EXTEND TO THE CABINET TOP (30-1/16")

With this installation, the custom panel extends 1-13/16" inches above the dishwasher control panel, as illustrated at right.

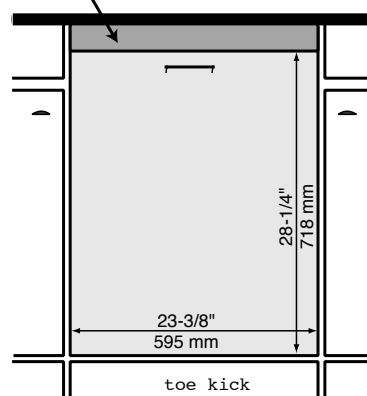
This installation also leaves a 2" gap between the top of the dishwasher and the cabinet. We recommend that you install the 2" fill strip that comes with the unit between the upper edge of the dishwasher and the counter to hide the top of the dishwasher and further reduce water noise.



WOOD PANELS THE SAME HEIGHT AS THE DISHWASHER DOOR (28-1/4")

If the custom panel is the same height as the dishwasher door, a 2" decorative fill strip or pull-out cutting board must be used to fill the area between the panel and the counter top (as illustrated at right).

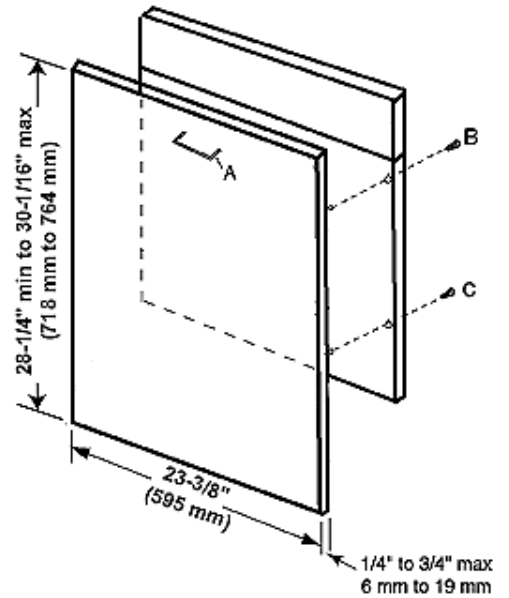
Custom-built 2-inch decorative fill strip or cutting board (not available to order)



INSTALLING A CUSTOM WOOD PANEL

To install the custom wood panel, follow the steps below.

1. Attach the handle (A) to the wood panel. (It is best to use a handle instead of a knob.)
2. Remove the second and fourth screws (B and C) from the inside top of the dishwasher door and discard.
3. With the door slightly open, position the wood panel with the holes in alignment with the door and secure it in place with 2-12" squeeze clamps on both sides.
4. If you are installing a 30-1/16" high panel, it should extend 1-13/16" above the control panel. It's a good idea to take this measurement before you proceed.
5. Insert the 1-1/2" screws supplied with the unit through the panel and door.
6. Secure the screws.
7. Close the door and, if necessary, adjust level by adjusting the front levelling legs for proper height clearance.
8. Fasten the dishwasher to the cabinet.



Purchase Information

Appliance	SKU	Color	Shipping Weight (Lbs)	MSSP	Target Retail
Washer	EWF150W	White	191	\$699	
Washer	EWF172W	White	173	\$799	
Washer	EWF272ELW	White	173	\$849	
Washer	EWF272ELG	Graphite	173	\$899	
Dryer	EDV158W	White	78	\$529	
Dryer	EDC158W	White	106	\$699	
Dryer	EDV278ELW	White	88	\$549	
Dryer	EDV278ELG	Graphite	88	\$599	
Combination Washer/Dryer	EWC177W	White	195	\$1199	
Dishwasher	EDW242CW	White	115	\$549	
Dishwasher	EDW242CB	Black	115	\$549	
Dishwasher	EDW242CSB	Stainless Black	115	\$599	
Dishwasher	EDW254EW	White	116	\$649	
Dishwasher	EDW254EB	Black	116	\$649	
Dishwasher	EDW254EG	Graphite	116	\$699	
Dishwasher	EDW254ESB	Stainless Black	116	\$699	
Dishwasher	EDW274EW	White	116	\$749	
Dishwasher	EDW274EB	Black	116	\$749	
Dishwasher	EDW274EG	Graphite	116	\$799	
Dishwasher	EDW294E	*	107	\$849	

* Without optional door panel kit. See page 13.



A Division of ASKO Appliances, Inc.

PO Box 851805

Richardson, Texas 75081

972.644.8595

www.eurotechappliances.com

0750080203

Specifications are subject to change without notice. See owner's manual for additional details.