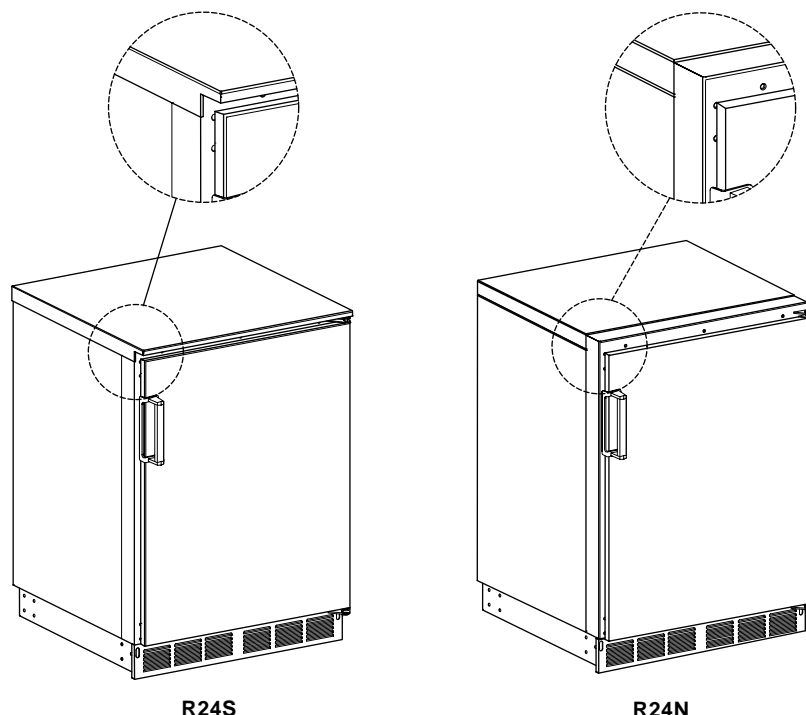


# INSTALLATION AND OPERATION INSTRUCTIONS

## SINGLE DOOR REFRIGERATOR

### MODEL NOS.

- R24N
- R24S



### IMPORTANT INFORMATION

This manual has been prepared to assist you in the installation of your Single Door Refrigerator and to acquaint you with its operation and maintenance.

We dedicate considerable time to ensure that our products provide the highest level of customer satisfaction. If, however service is required, call Perlick at 1-800-777-7267 or your dealer who can provide you with a list of qualified service agents. For your own protection, never return merchandise for credit without our approval.

We thank you for selecting a Perlick product and assure you of our continuing interest in your satisfaction.

### IMPORTANT WARRANTY INFORMATION

A Warranty card is enclosed that must be completed and mailed to the Perlick Corporation in order to register the warranty. If the card is not returned to Perlick, the warranty period will begin from the date the equipment is shipped from the factory.

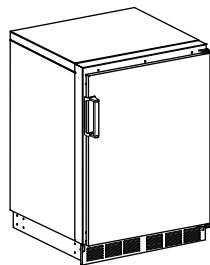
### Table of Contents

Cabinet Specifications .....	2
<b>Installing</b>	
Uncrating and Inspection .....	3
Plumbing .....	3
Electrical.....	3
Installing Shelves .....	3
Installing Casters or Legs .....	3
Placing The Cabinet.....	3
Sealing the Floor.....	4
Temperature Control .....	4
Cleaning.....	4
Cleaning Stainless Steel/Avoiding Corrosion .....	4
Replacement Parts .....	5/6
Wiring Diagram .....	7
Reversing the Doors .....	8

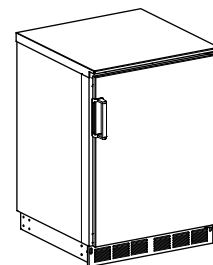


# Installation and Operating Instructions

## Single Door Refrigerator



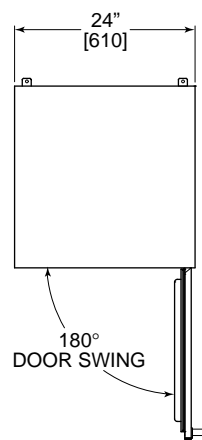
NON-FINISHED TOP



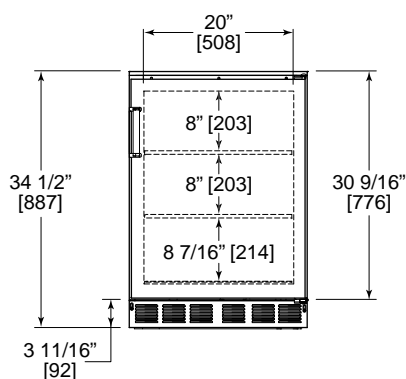
FINISHED TOP

MODEL NOS.	DOOR FINISH		DOOR FINISH	
	R24NB	Black	R24SB	Black
	R24NS	Stainless Steel	R24SS	Stainless Steel
	R24NG	Glass w/ Black Trim	R24SG	Glass w/ Black Trim
R24NT	Glass w/ Stainless Trim	R24ST	Glass w/ Stainless Trim	
EXTERIOR:	Back, top and sides are Galvanized steel.		Top and sides are stainless steel. Back is galvanized steel.	
	<b>Both models:</b> Front is stainless steel. <b>Doors:</b> Either black vinyl CRS or stainless steel. <b>Bottom:</b> galvanized steel with stainless grille.			
INTERIOR	<b>Both models:</b> Interior liner is stainless steel. Includes two adjustable vinyl coated shelves plus a bottom shelf.			
CABINET DIMENSIONS (mm)	Length	24" (610)		
	Depth	24 1/4" (615)		
	Height	34 1/2" (887)		
INTERIOR CU. FT. (m3)	4.9 (0.14)			
SHELVING	Bottom floor shelf and two additional shelves included			
CASE CAPACITY*	4.6			
CONDENSING UNIT H.P.	1/6 HP			
RUNNING LOAD -AMPS	2.3			
Ship Wt. Lbs. (kg.)	145 (54)			
ELECTRICAL	115V, 60Hz., 1 phase . Furnished with 3-prong, 6 foot rubber plug in cord.			
PLUMBING	None required. Moisture drains to self evaporating condensate pan in machinery compartment.			
INSULATION	2" foamed-in-place polyurethane insulation.			
TEMPERATURE RANGE	Adjustable from 32°F to +42° F (0° to 6° C).			
REFRIGERATION	R-134A capillary tube-type. with hermetic condensing unit. Front access for condenser and cleaning.			
VENTILATION	Front vented.			
OPTIONAL ACCESSORIES &	<ul style="list-style-type: none"> <li>• Set of 4 casters (3 3/4" high) P/N 65426.</li> <li>• Set of 4 adjustable legs (6" - 7 1/4" high) P/N 65423.</li> </ul>			

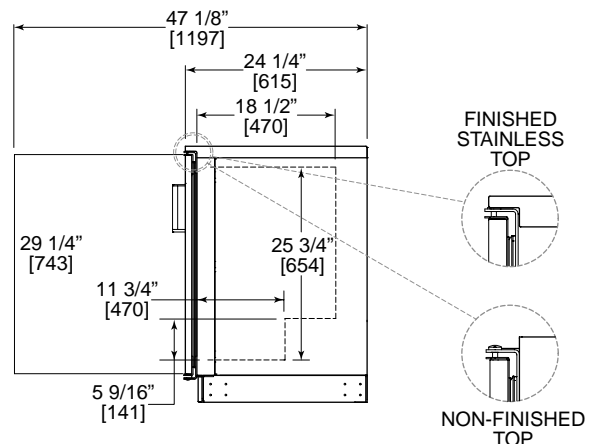
\* Capacity calculations based on use of 12oz. export bottles on standard shelving.



Top View



Front View



End View



Perlick is committed to continuous improvement. Therefore, we reserve the right to change specifications without prior notice.

# Preparing the Cabinet – Single Door Refrigerator

## Uncrating and Inspection

Remove all crating material before operating. Carefully inspect cabinet for hidden damage. If damage is discovered, file your claim immediately with the transport company. Perlick is not responsible for damage in transit.

## Plumbing

No plumbing connections are required. Condensate from the cooling coil is automatically evaporated through a condensate pan located in the condensing unit section.

## Electrical

The cabinet must be connected to a separately fused power source (see Electrical Specification Plate) and grounded in accordance with National and Local Electrical Codes.  
CAUTION: Do not attempt to operate the equipment on any other power source than that listed on the Electrical Specification Plate.

## Placing the Cabinet

To assure maximum performance, fresh air must be allowed to circulate through the machinery compartment. Do not place anything in front of the cabinet that would obstruct air flow at these grilles. Do not place the unit in an unventilated small room.

Cabinet should be leveled front to back and side to side.

## Installing Casters or Legs (optional)

Attach casters or legs to the mounting bracket with lockwashers and  $\frac{1}{4}$ "–20 hex head nuts provided. Attach bracket and leg/caster assembly to the side of the cabinet base using the  $\frac{1}{4}$ "–20 hex head self-tapping machine screws provided.

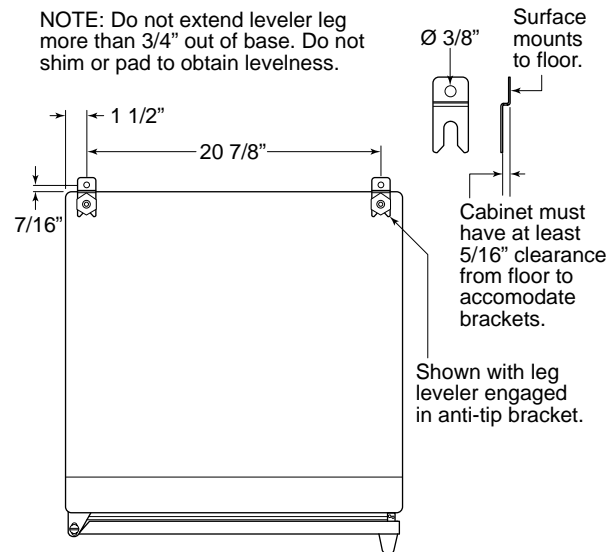
## Anti-tip (without Legs or casters)

To prevent the cabinet from tipping forward and to provide a stable installation, the cabinet must be secured in place with an anti-tip device.

A set of metal anti-tip brackets and installation screws ( $\#10\text{-}\frac{3}{4}$ " wood screws) are supplied. These brackets should be attached to the floor, at the back of the cabinet; each bracket located to catch each rear leveling leg when the cabinet is pushed backward into position.

THE ANTI-TIP BRACKETS MUST CATCH EACH OF THE LEVELING LEGS TO HAVE A STABLE AND SAFE INSTALLATION.

Some installation sites might need to be modified to provide a secure surface for attaching the bracket. Refer to the illustration below for anti-tip mounting bracket locations.

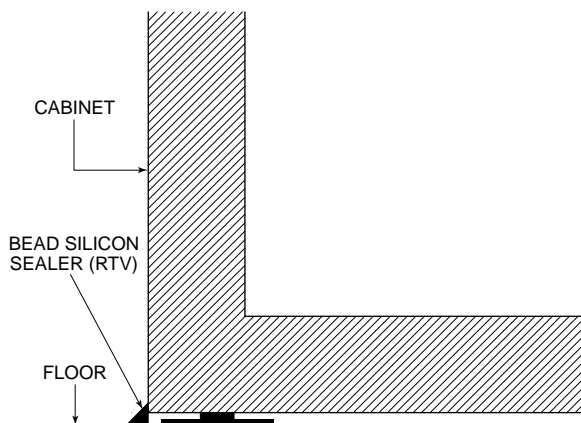


# Operation Instructions – Single Door Refrigerator

## Sealing the Cabinet

For sanitation purposes, it may be necessary to seal the base of the cabinet to the floor. This can be accomplished by laying a bead of silicone sealant between the base of the cabinet and the floor as shown by the figure below.

When sealing the cabinet to the floor, make sure that the louvered front grille plate can still be removed for condenser maintenance and cleaning.



## Cleaning the Cabinet:

- Use a mild detergent and water to clean the inside and outside of the cabinet. Dry thoroughly. Never use a scouring pad or abrasive cleanser.  
**NOTE:** An industrial strength, commercial cleaner can be used to clean the outside of painted cabinets

## Cleaning the Condenser:

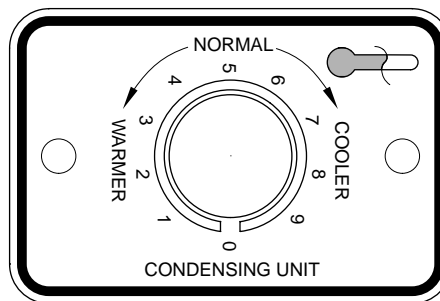
- Use a long handled, stiff brush to clean dirt from the front surface of the condenser. Keeping the condenser free from dust and dirt will ensure efficient operation.  
**CAUTION:** Do not bend the fins while brushing the front of the condenser..

## Temperature Control

An adjustable temperature control is located inside the refrigerator on the evaporator fan panel assembly. Approximate temperature operating range: 32° F. minimum and 42° F. maximum. Make adjustments as shown to attain the desired temperature.

- **Colder Temperatures:** Turn the adjusting screw clockwise (to the right).
- **Warmer Temperatures:** Turn the adjusting screw counterclockwise (to the left).
- **Temperature Control “OFF”:** Turn the adjusting screw completely counterclockwise to the “O” position until a click is noted.

The condenser fan and the evaporator fan motor turns off and on with the compressor.



## Avoiding Stainless Steel Corrosion

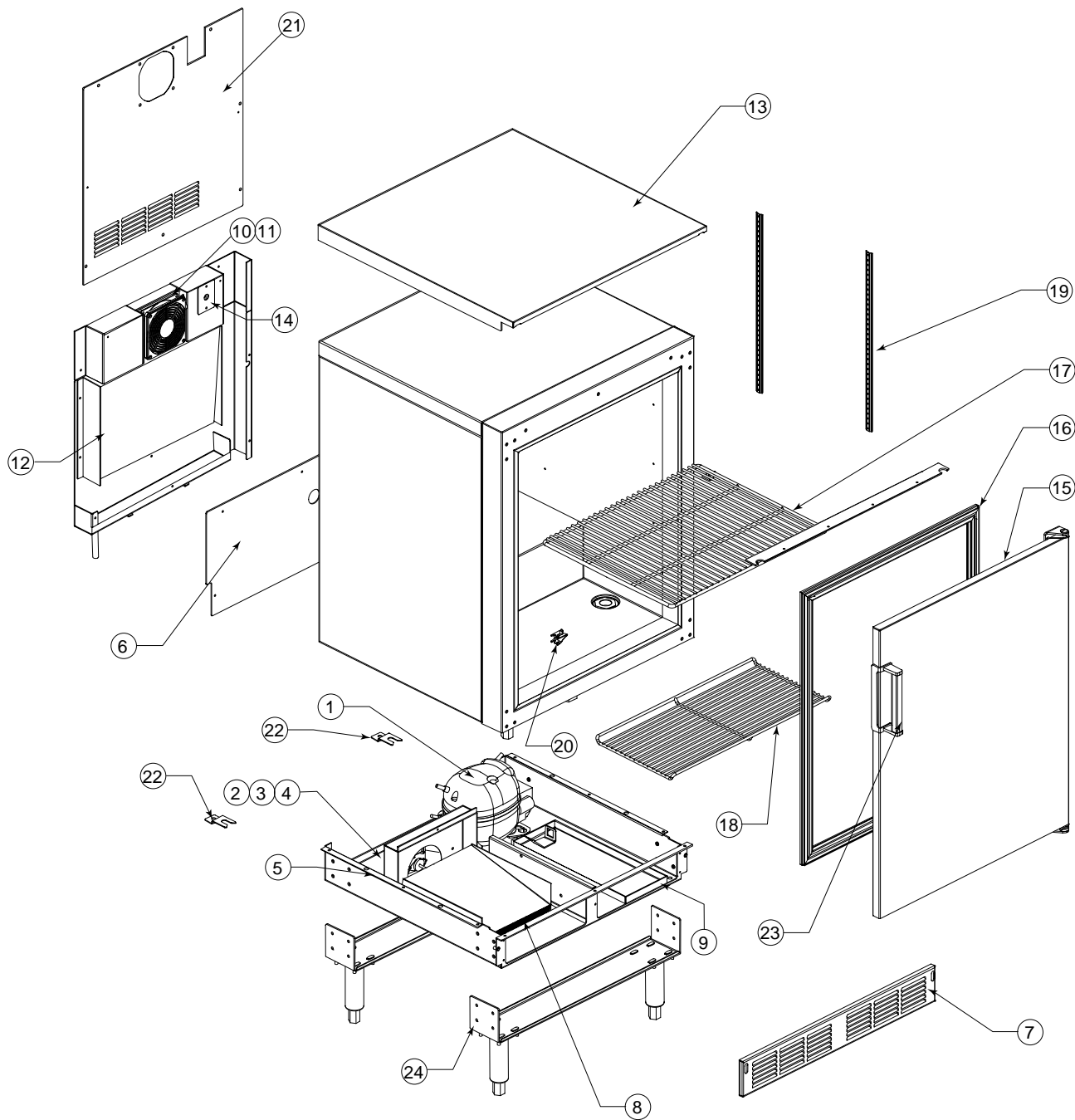
Corrosion can be prevented by following product cautions, cleaning instructions and avoiding use of certain chemicals or objects which will cause stainless steel corrosion.

### STAINLESS STEEL ENEMY

- Steel wool or steel scouring pads
- Cherry/Orange/Olive juice
- Chlorine Bleach
- Sharp Objects



# Replacement Parts – Single Door Refrigerator



## CAUTION

- Service should be done by a qualified refrigeration technician.
- Disconnect all power before servicing the cabinet.

Perlick is committed to continuous improvement. Therefore, we reserve the right to change specifications without prior notice.



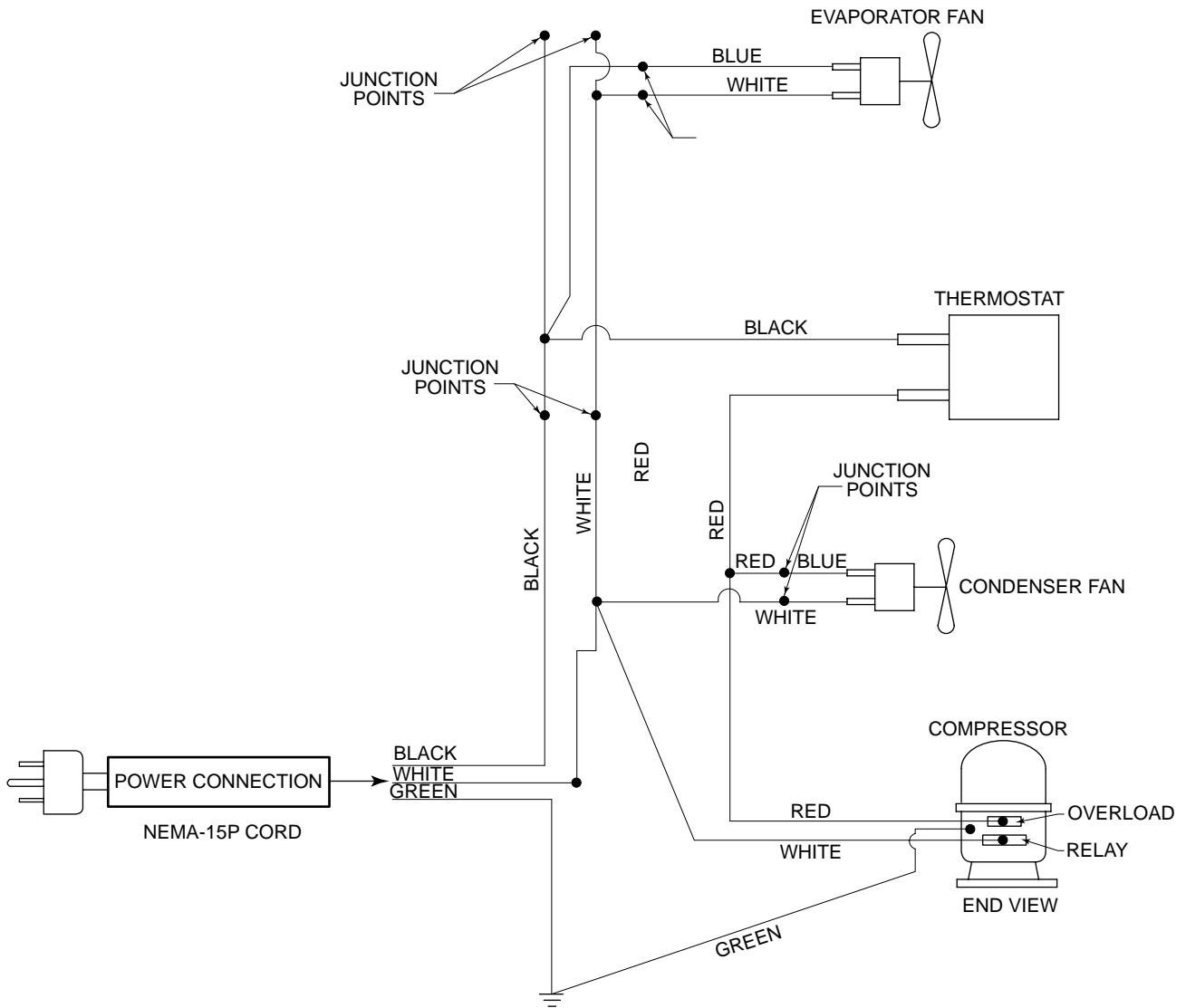
# Replacement Parts – Single Door Refrigerator

MODEL NOS.		ALL MODELS
Item	Description	Part Numbers
1	Compressor for R134A	63778
2	Condenser fan motor	C15239A
3	Condenser fan motor bracket	60988-1
4	Condenser fan blade	C22370
5	Condenser fan shroud	65206-2
6	Rear panel	65159-1
7	Front grille	65158-1
8	Condenser coil	65252
9	Condenser pan	65473
10	Evaporator fan guard	65254
11	Evaporator fan motor	65253
12	Evaporator assembly, complete	H66136R
13	Top overlay	65429-1SS
14	Temperature control with dial plate	61271
15	Door assembly	66223
16	Magnetic door gasket	66237-1
17	Shelf	66236-1
18	Shelf, bottom	64809-1
19	Pilaster	C19271
20	Shelf clip	C15875
21	Evaporator grille	66139-2
22	Tip over bracket	63740
23	Door handle	C31409-1
24	Leg kit set of 4 includes brackets	65423
25	Caster kit set of 4 including brackets (not shown)	65426
26	Complete hinge set-left (not shown)	66246L
27	Complete hinge set-right (not shown)	66246R
29	Power cord wiring harness (not shown)	65531
30	Evaporator assembly wiring harness (not shown)	65532
31	Evaporator fan motor wire harness (not shown)	65271



Perlick is committed to continuous improvement. Therefore, we reserve the right to change specifications without prior notice.

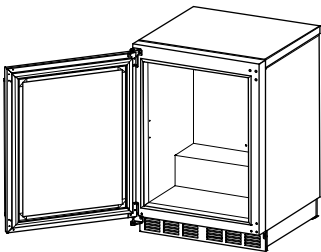
# Wiring Diagram – Single Door Refrigerator



# Door Switching Instructions – Single Door Refrigerator

## Tools Required

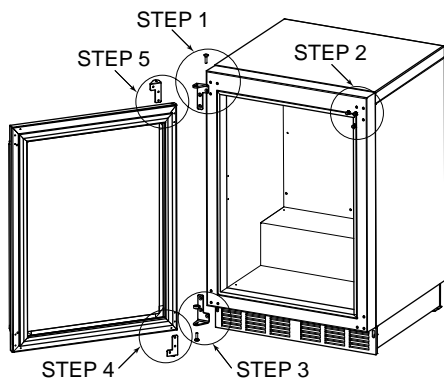
- Large Flathead Screwdriver.
- Regular Philips-head screwdriver.
- Small Philips-head screwdriver



### Left Hinged Door

Units are available from factory mounted left or right. Workboard units are available with left mounting only. All doors may be changed by customer.

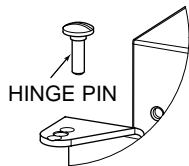
## Operations to Perform



**NOTE:** Changing the door mount is not advised if you have a custom wood overlay. This may result in having a handle in an undesirable location.

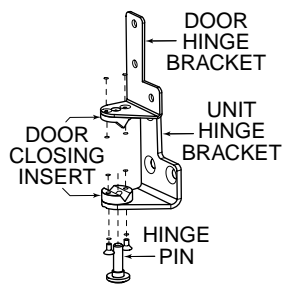
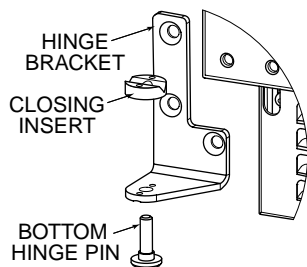
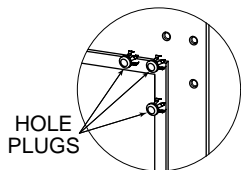
### STEP 1:

Remove top hinge pin from assembly. Carefully lift and tilt out door assembly from the unit and set aside.



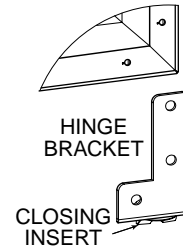
### STEP 2:

Carefully remove hole plugs on right side of unit. Be careful not to scratch unit. Top and bottom plugs must be removed. Do not discard.



### STEP 3:

Remove top and bottom hinge brackets from unit. Then remove door closing insert and hinge pin from bottom hinge bracket. See door bottom hinge assembly detail.

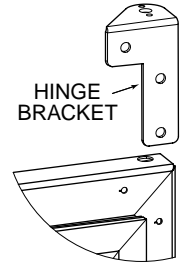


### STEP 4:

Remove bottom hinge bracket to allow you to remove the door closing insert. Immediately replace hinge bracket.

### STEP 5:

Remove top hinge bracket to allow assembly of door closing insert removed in step 4. Reassemble hinge to door after installing the closing insert.

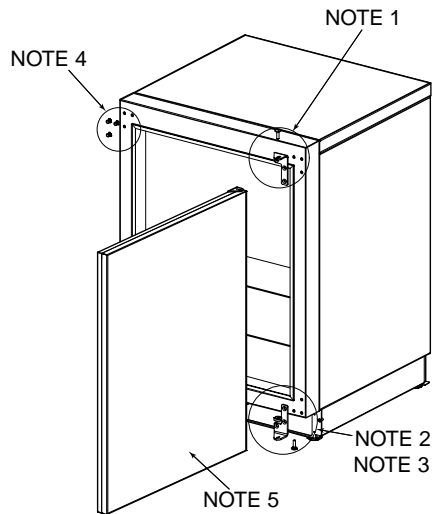
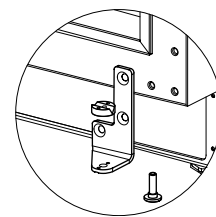


## Operation Notes

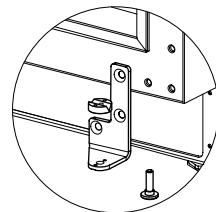
### NOTE 1:

Lower left hinge bracket rotates 180° and becomes upper right hinge bracket.

### NOTE 2 & 3:



Top left hinge bracket rotates 180° and becomes bottom right hinge bracket. Bottom hinge pin and door closing insert assemble to bottom right hinge bracket.



**NOTE 4:** The hole plugs removed earlier are to be inserted into the vacant left door mounting holes. Do not hit with hammer or damage may occur. Use hammer handle or wood block to push plugs into holes.

### NOTE 5:

Door bottom on right mounted version was door top on left mounted version. Before attempting to re-mount door verify that: (1) The door handle will be on the outside of door. (2) The door closing inserts are on the bottom. (3) All screws are hand tightened, over tightening will damage the unit.



8300 West Good Hope Road • Milwaukee, WI 53223 • Phone 414-353-7060 • Fax 414-353-7069  
Toll Free 800-558-5592 • E-Mail: Perlick@Perlick.com • www.Perlick.com

Perlick is committed to continuous improvement. Therefore, we reserve the right to change specifications without prior notice.

Form No. Z2288  
Rev. 8.22.06