

Electric Free-Standing Range

Cuisinière amovible électrique
Estufas eléctricas autoestables

Installation Instructions

Instructions d'installation
Instrucciones de Instalación

Table of Contents

Important Safety Instructions	1
Installation	2
Before You Begin	2
Tools and Parts Needed	2
Additional Parts Needed for Hard Wire Installations	2
Parts Included	2
Cabinet Requirements	2
Electrical Requirements	4
Installation.	5
Installation Tips	5
Install Ventilation	5
Prepare Walls and Floor	5
Prepare Range	5
Install Strain Relief.	5
Connect Electric	6
Attach Anti-Tip Bracket to Floor.	12
Complete the Installation	13
Service	14
Data Tag	14

Questions?

1-800-944-2904

www.boschappliances.com

5551 McFadden Ave.
Huntington Beach, CA 92649

We look forward to hearing from you!



Important Safety Instructions

READ AND SAVE THESE INSTRUCTIONS

Important Safety Instructions

WARNING: If the information in this manual is not followed exactly, a fire or explosion may result causing property damage, personal injury or death.

- Ask your dealer to recommend a qualified technician and an authorized repair service.
- Install only per installation instructions provided in the literature package for this range.
- Important - Save for local electrical inspector's use.

Safety Codes and Specifications

- Be sure your appliance is properly installed and grounded by a qualified technician in accordance with the National Electrical Code ANSI/ NFPA No. 7 latest edition and local electrical code requirements.
- Local codes vary. Installation, electrical connections and grounding must comply with all applicable codes.
- This appliance has been tested in accordance with ANSI/UL 858 Standard for Safety for Household Ranges and CAN/CSA-22.2 No. 61 National Standard of Canada for Household Cooking Ranges. It is the responsibility of the owner and the installer to determine if additional requirements and standards apply in specific installations.

Equipment and Usage Safety Requirements

- Unit is heavy and requires at least two persons or proper equipment to move.
- Stepping, leaning or sitting on the doors or drawers of this range can result in serious injuries and also cause damage to the range.
- Do not allow children to climb or play around the range. The weight of a child on an open door may cause the range to tip, resulting in serious burns or other injury.
- Do not store items of interest to children in the cabinets above a range or on the backguard of a range. Children climbing on the range to reach items could be seriously injured.
- To eliminate the risk of burns or fire by reaching over heated surface units, cabinet storage space located above the surface units should be avoided. If cabinet storage is provided, the risk can be reduced by installing a range hood that projects a minimum of five inches (12.7 cm) beyond the bottom of the cabinets.
- Remove all tape and packaging before using the range. Destroy the packaging after unpacking the range. Never allow children to play with packaging material.
- Do not repair or replace any part of the appliance unless specifically recommended in the manuals. All other servicing should be done by a qualified technician. This may reduce the risk of personal injury and damage to the range.
- Never modify or alter the construction of a range by removing leveling legs, panels, wire covers, anti-tip brackets/screws, or any other part of the product.
- DO NOT LIFT RANGE BY DOOR HANDLE.
- Remove the door for easier handling and installation. See 'Removing Oven Door' in the Maintenance section of the Use and Care Manual.
- Do not use the warming drawer (if equipped) or oven for storage.
- Hidden surfaces may have sharp edges. Use caution when reaching behind or under range.

Power Requirements and Electrical Grounding Instructions

- Before installing, turn power OFF at the service panel. Lock service panel to prevent power from being turned ON accidentally.
- Know how to disconnect the power to the range at the circuit breaker or fuse box in case of an emergency. Installation

Installation

Before You Begin

Tools and Parts Needed

- 50 Amp Power Supply Cord Kit (not necessary for Canadian installations)
- Measuring Tape
- Phillips Head Screwdriver
- 1-1/4" (31.8 mm) Wrench
- Pencil
- T-20 Torx Screwdriver
- Screws (2) and Anchors (2) for Anti-Tip Bracket (Style will vary depending on mounting surface)
- Level
- Drill and Drill Bit
- Safety Gloves and Goggles
- Tape (Optional)
- Cloth or Cardboard (Optional - to Protect Floor)

Additional Parts Needed For Hard Wire Installations

- Flexible Conduit (For Hard Wire Installation Only)
- Torque Wrench (For Hard Wire Installation Only)
- **Note:** Power Supply Cord Kit Not Necessary For Hard Wire Installations

Parts Included

- Anti-Tip Bracket
- Terminal Lugs (For Use With Hard Wire Installations) (not necessary for Canadian installations)

Cabinet Requirements

This unit is designed for installation near adjacent walls and projecting surfaces constructed of combustible materials. Allow a minimum of 30 inches (76.2 cm) between cabinets where range is to be installed (0.47" (12 mm) clearance from range sidewall to cabinet required in Canada).

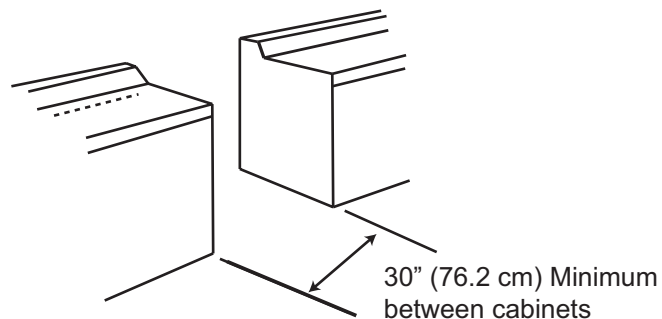


Figure 1: Cabinet Clearances

Required Clearances:

These clearance instructions were determined using Standard American cabinets. Standard base cabinets measure 36" (91.4 cm) high x 24" (60.9 cm) deep. Cabinets over the cooking surface and cabinets adjacent to those over the cooking surface measure 13 inches (33 cm) deep from backwall. If nonstandard cabinets are used, care should be taken to alter dimensions accordingly.

NOTE: Some cabinet finishes cannot survive the temperatures allowed by U.L. for appliances, particularly self-cleaning ovens; the cabinets may discolor or stain. This is most noticeable with laminated cabinets.

From cooktop to materials above:

There must be a minimum clearance of 30 inches (76.2 cm) between the top of the cooking surface and the bottom of an unprotected wood or metal cabinet.

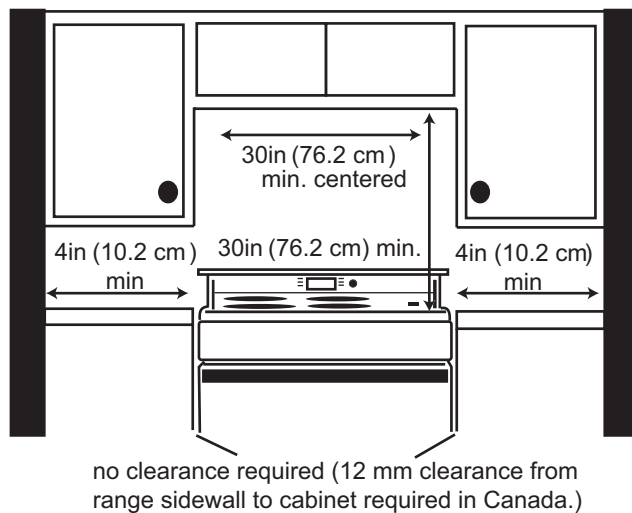


Figure 2: Cooktop Clearances

24 inches (61 cm) is acceptable when the bottom of the wood or metal cabinet is protected by

- (a) not less than 1/4" (6.35 mm) of flame retardant material which must be covered with
- (b) not less than No. 28 MSG sheet metal, 0.015 inch (.381 mm) stainless steel or 0.024 inch (.601 mm) aluminum or copper.

From range walls to adjacent materials (see Figure 2 above):

No clearance is required from unit walls to adjacent vertical combustible walls on rear, right or left. Clearance from range top to adjacent vertical walls must be at least 4" (10.2 cm).

The electrical outlet must be located in the shaded space in Figure 3.

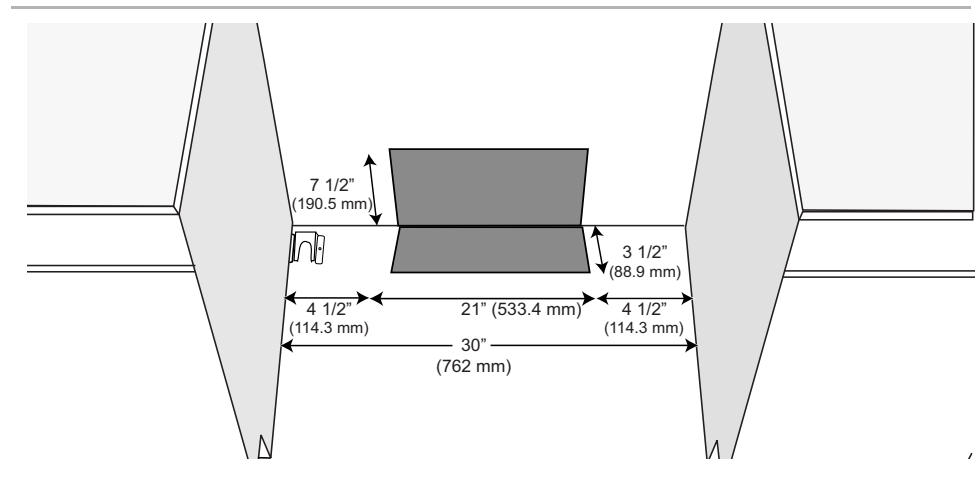


Figure 3: Cooktop Clearances

Verify that wiring to house is adequate.

Contact your local utility company to verify that the present electric service to your home is adequate. In some instances, the size of the wiring to the house and service switch must be increased to handle the electrical load demanded by the range.

Verify that wiring inside house is adequate.

Most wiring codes require a separate circuit with separate disconnect switch and fuses either in the main entrance panel or in a separate switch and fuse box. Most local building regulations and codes require that electrical wiring be done by licensed electricians. Be sure to install your range according to the electric codes in place in your region.

General Information

Ranges are dual rated for use on either 120/240 VAC or 120/208 VAC. See chart at right for power ratings and circuit breaker sizes based upon the supply voltage for each model.

We recommend that the range be installed with a UL approved power cord set (not supplied). The electrical rating of the power cord set must be 120/240 volt, 50 amperes minimum. The power cord set shall be marked "For Use with Ranges." Always use a new power cord. Alternatively, the range can also be hard wired using the aluminum terminal lugs included in the literature pack. If using this connection, flexible conduit must also be used (not supplied).

We recommend a 50 AMP, 60 Hz, 4 wire circuit; However, the NEC (National Electric Code) allows for some ranges to be installed on a 40 AMP circuit. Refer to your local electric code requirements in order to determine the required amperage. Always choose a range power cord set that is rated for the circuit. In compliance with the NEC, a separate circuit is also recommended.

Note: In Canada, the range is shipped from the factory with the range cord already installed. Proceed to Step 9.

For installations other than those in Canada, install the strain relief and connect the range cord (or wire conductors) as described in the following steps.

Table 1: Electrical Specifications

Check data plate for kW rating. Reference kW rating in table to determine amperage requirements.

kW Rating		AMPS Required	
At 120/240 Volts:	At 120/208 Volts:	US Models:	Canadian Models:
12.3	9.2	40 or 50*	
12.6	9.5	40 or 50*	50
13.5	10.2	50	

* Varies by location. Refer to local electric code.

Installation

Installation Tips

- Tape warming drawer or storage drawer shut to keep it from opening while installing the range.
- During installation, place a portion of the box or a piece of cloth under the range to protect floors.
- To make range lighter and easier to handle, remove door (see instructions in Use and Care manual).

1) Install Ventilation

We strongly recommend the installation of a ventilation hood above this range. For most kitchens a certified hood rating of not less than 300 CFM is recommended. The range hood must be installed according to instructions furnished with the hood.

2) Prepare Walls and Floor

Seal any holes in the walls or floor. Remove any obstructions (extra electrical or gas connections, etc.) so that range will rest against wall properly.

3) Prepare Range

Place range in front of cabinets where it is to be installed. Remove any packaging.

4) Install Strain Relief



WARNING: The strain relief provided with your range cord must be properly installed.

Place strain relief in knockout below terminal block (See Figure 4). Feed range cord through hole and strain relief up to terminal block. Allow for slack in the cord between the strain relief and terminal block. Once cord length/ slack has been adjusted, attach strain relief per instructions included with strain relief.

Tip: The knockout panel (below the terminal block) can be removed from the range to install the strain relief: Remove panel from range, install strain relief in panel and reattach. DO NOT remove entire range back panel.

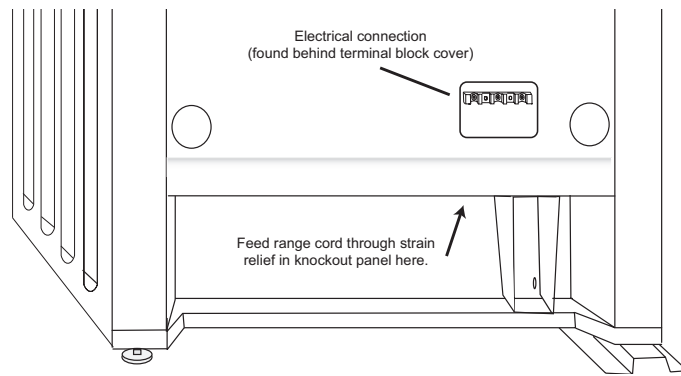


Figure 4: Electrical Connection and Strain Relief Knockout Panel Locations

There are four possible electrical connections:

1. Four wire range cord
2. Three wire range cord
3. Four wire flexible conduit connection (hard wire)
4. Three wire flexible conduit connection (hard wire)

The four wire range cord connection is the recommended method, but where local codes permit, three wire connections are also acceptable.

As an alternative to the range cord, the appliance can also be hard wired with either a three or four wire connection. In this case, the terminal lugs supplied must be used.

Always verify that your chosen connection complies with all applicable codes. See "Electrical Specifications" at the beginning of this manual for further information.

5) Connect Electric



WARNING: To prevent electrical shock, the grounding prong on the range cord should not be cut or removed under any circumstances. It must be plugged into a matching grounding type receptacle and connected to a correctly polarized 240- Volt circuit. If there is any doubt as to whether the wall receptacle is properly grounded, have it checked by a qualified electrician.



WARNING: Risk of Electric Shock or Fire. Frame grounded to neutral through a ground strap. Grounding through the neutral conductor is prohibited for new branch-circuit installations (1996 NEC), mobile homes, and recreational vehicles, or in an area where local codes prohibit grounding through the neutral conductor.

For installations where grounding through the neutral conductor is prohibited, (a) disconnect the link from the neutral, (b) use grounding terminal or lead to ground unit, (c) connect neutral terminal to lead branch circuit neutral in usual manner

(when the appliance is to be connected by means of a cord kit, use 4-conductor cord for this purpose)

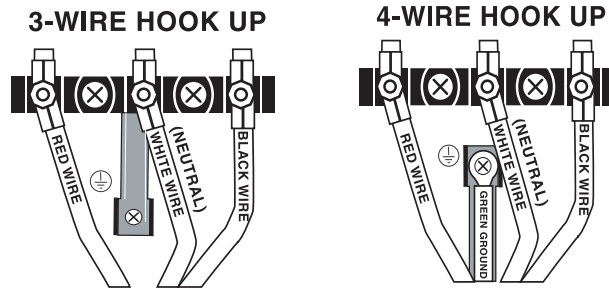


Figure 5: Grounding Options

Use only cord kits rated 125/250 volts (minimum), 50 amperes and labeled “For Use with Ranges”. Strain relief provided with cord must be installed per instructions included with cord.

5A) Four Wire Range Cord Connection (Recommended Method)

1. Disconnect electrical power at breaker box.

Remove the terminal block cover to expose the terminal block

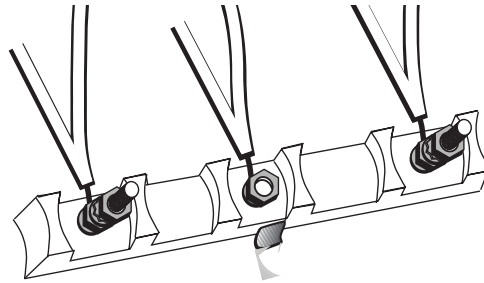


Figure 6: 4 Wire Connection

2. Remove top nut, star washer, and round washer from each post.

Note: DO NOT remove last round washer, last nut or internal wiring leads.

3. Remove screw from bottom end of ground strap.

4. Remove ground strap from center post, rotate so that wide end is at top and attach wide end to range through hole below junction box. Attach green wire on top of ground strap. Tighten Screw.

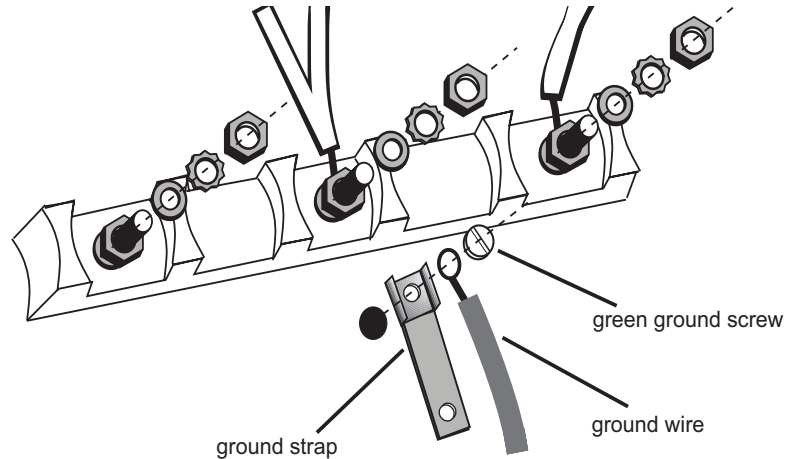


Figure 7: Four Wire Range cord Connection - Ground Strap and Wire

5. Attach red wire, round washer, star washer and nut IN THIS ORDER to left post.
6. Attach white wire, round washer, star washer and nut IN THIS ORDER to center post.
7. Attach black wire, round washer, star washer and nut IN THIS ORDER to right post.

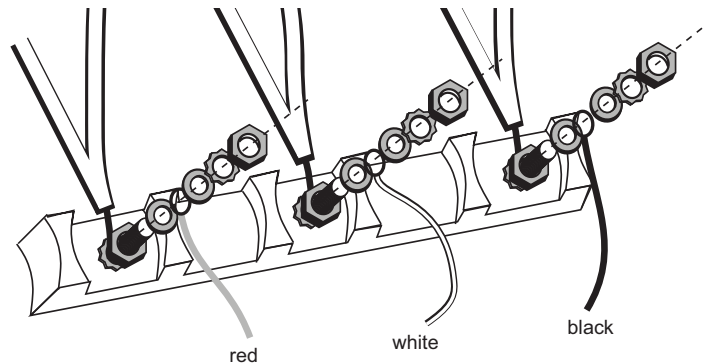


Figure 8: Four Wire Range Cord connection Continued

8. Tighten all connections securely and replace terminal block cover.
9. Properly secure strain relief (see previous section).

Note: DO NOT plug in range at this time.

5B) Three Wire Range Cord Connection

The Four Wire Connection (above) is preferred, but where local codes and ordinances permit grounding through neutral and where conversion to four wire is impractical, the unit may be connected to the power supply via a three wire connection.

1. Disconnect electrical power at breaker box.

remove the

ove top nu

NOT rem

white wire
and strap o
red wire, r

black wire, r



7. Tighten all con sure

_____ **Figur**

_____ **hree Wire Range Cord Connection**

ain re

ction).

Note: DO NOT plug in range at this time.

5C) Four Wire Flexible Conduit Connection

1. Disconnect electrical power at the breaker box.
2. Remove the terminal block cover to expose the terminal block.
3. Remove the top nut, star washer, and round washer from each post.

Note: DO NOT remove last round washer, last nut or internal wire leads.

4. Remove screw from bottom end of ground strap.
5. Remove ground strap from center post. Discard.
6. Attach one terminal lug (packaged with this manual) through hole below terminal block with ground screw.
7. Place one terminal lug (packaged with this manual) on each post. Replace the star washer and round washer and secure with 20 inch pounds of torque.
8. Strip $\frac{3}{8}$ (9.53 mm) inches of insulation from the end of the wire.

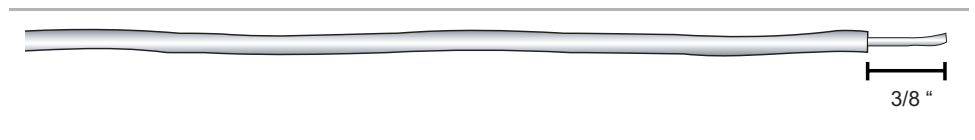


Figure 12: Wire Stripping

9. Insert the insulated grounding wire into the lug below the terminal block.
10. Insert stripped end of white wire into the center lug. Secure the clamping screw.

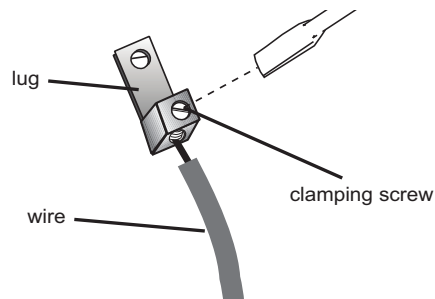


Figure 13: Attaching Wire to Lug

11. Insert stripped end of red wire into the left lug. Secure clamping screw.
12. Insert black wire into the right lug. Secure clamping screw.
13. Tighten each clamping screw with the appropriate torque (see table).

Table 2: Appropriate Torque Levels for Aluminum or Copper Wire

Gauge	Torque (in./lbs.)	Torque (Nm)
6	35	3.95
8	25	2.82

14. Properly secure flexible conduit at knockout on angle and at supply side junction box. The wiring is now complete.

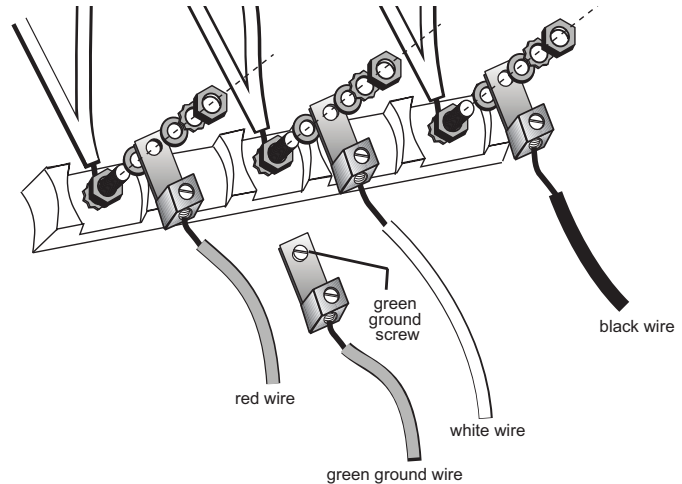


Figure 14: Completed Four Wire Flexible Conduit Connection

Note: DO NOT plug in range at this time.

5D) Three Wire Flexible Conduit Connection

The Four Wire Connection is preferred, but where local codes and ordinances permit grounding through neutral and/or conversion to four wire is impractical, unit may be connected to the power supply via a three wire connection.

1. Disconnect electrical power at the breaker box.
2. Remove the terminal block cover to expose the terminal block.

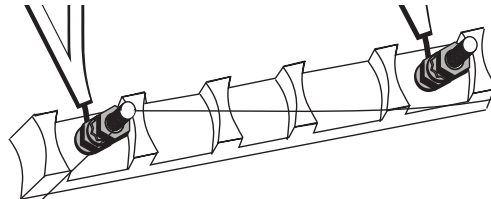


Figure 15: Terminal Block

3. Remove the top nut, star washer, and round washer from each post.

Note: DO NOT remove last round washer, last nut or internal wire leads.

4. Place one terminal lug (packaged with this manual) on each post. Replace the star washer and round washer and secure with 20 inch pounds of torque.
5. Strip 3/8 (9.53 mm) inches of insulation from the end of each wire.

Figure 16: Wire Stripping

6. Insert stripped end of white wire into the center lug on top of the ground strap. Secure the clamping screw.

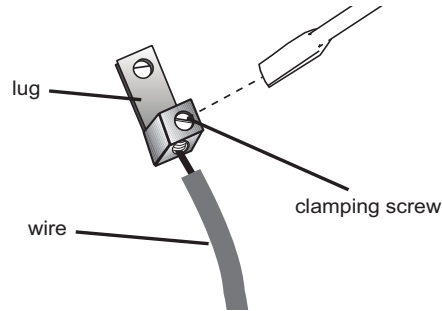


Figure 17: Attaching Wire to Lug

7. Insert stripped end of red wire into the left lug. Secure clamping screw.
8. Insert stripped end of black wire into the right lug. Secure clamping screw.
9. Tighten each clamping screw with the appropriate torque (See table below).

Table 3: Appropriate Torque Levels for Aluminum or Copper Wire

Gauge	Torque (in./lbs.)	Torque (Nm)
6	35	3.95
8	25	2.82

10. Properly secure flexible conduit at knockout panel on range and at supply side junction box. The wiring is now complete. .

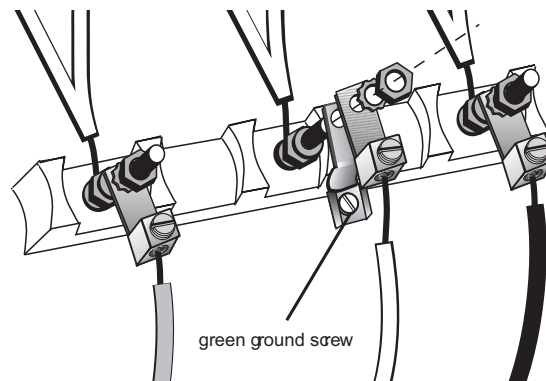


Figure 18: Completed Three Wire Flexible Conduit Connectiog

Note: DO NOT plug in range at this time.

6) Attach anti-tip bracket to floor



WARNING

RANGE TIPPING HAZARD

All ranges can tip and injury could result. To prevent accidental tipping of the range, attach it to the wall, floor or cabinet by installing the Anti-Tip Device supplied.

- A risk of tip-over may exist if the appliance is not installed in accordance with these instructions.
 - If the range is pulled away from the wall for cleaning, service, or any other reason, ensure that the Anti-Tip Device is properly reengaged when the range is pushed back against the wall. In the event of abnormal usage (such as a person standing, sitting, or leaning on an open door), failure to take this precaution could result in tipping of the range. Personal injury might result from spilled hot liquids or from the range itself.
1. Adjust height of range and level by rotating the adjustable leg supports on the bottom of the range, using 1-1/4" (31.75 mm) wrench.

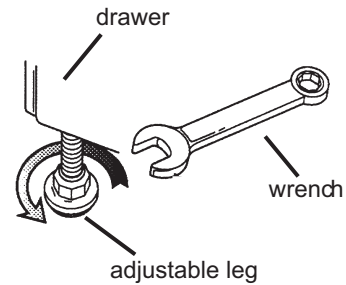


Figure 19: Adjusting the Leg Support

2. Measure to locate bracket position as shown below.

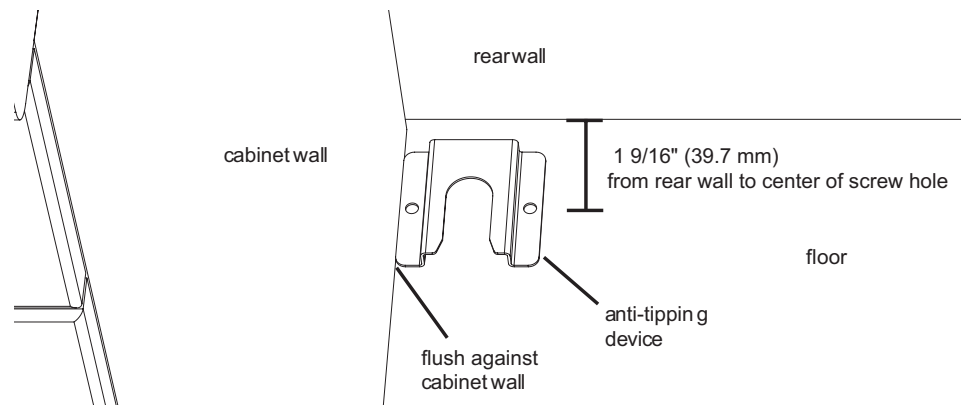


Figure 20: Anti-tip Bracket Location

3. Secure bracket with 2 screws adequate for mounting surface, not included. (i.e.; for wood floor use wood screws for concrete floor use concrete anchors and screws).

7) Complete the installation

1. Move range close enough to the opening to plug into the receptacle.
2. Slide range into position ensuring that the left back leg slides under the anti-tip bracket. Range will sit 3/4" (19.05 mm) away from back wall when properly installed.
3. Carefully tip range forward to ensure that the anti tip bracket engages the range back brace and prevents tip-over.
4. Turn on electrical power. Check range for proper operation as described in Use and Care Manual.

CAUTION: If the display flashes and beeps, the polarity of the wiring may be reversed. Reversed polarity can damage the range and can result in electrical shock hazard. Immediately switch off power at the breaker and return to Step 5-Connect Electric.

Service

To reach a service representative, see the contact information at the front of the manual . Please be prepared to provide the information from the data tag on the appliance.

Data Tag

The data tag is on the appliance frame near the drawer. Open the drawer to view it.

Table des matières

Instructions de sécurité importantes	1
Installation	2
Avant de commencer	2
Outils et pièces nécessaires	2
Pièces additionnelles nécessaires pour installation à raccordement fixe	2
Pièces comprises	2
Exigences pour l'armoire	2
Exigences électriques	3
Installation	5
Conseils d'installation	5
Installation de la ventilation	5
Préparation des murs et du plancher	5
Préparation de la cuisinière	5
Installation du réducteur de tension	5
Connexions électriques	6
Installation de la fixation anti bascule au plancher	12
Compléter l'installation	13
Service	14
Plaque signalétique	14

Questions?

1.800.944.2904

www.boschappliances.com

5551 McFadden Ave.
Huntington Beach, CA 92649

Nous serons heureux d'avoir de vos nouvelles !



Instructions de sécurité importantes

LIRE ET CONSERVER CES INSTRUCTIONS

Instructions de sécurité importantes

AVERTISSEMENT : si l'information de ce guide n'est pas suivie exactement, il peut en résulter un incendie ou une explosion causant des dommages à la propriété, des blessures ou la mort.

- Demander au marchand de recommander un technicien qualifié et un centre de service autorisés.
- Installer seulement selon les instructions d'installation fournies avec cette cuisinière.
- Important – conserver pour utilisation par l'inspecteur en électricité local.

Codes de sécurité et données techniques

- S'assurer que l'appareil est installé et mis à la terre adéquatement par un technicien qualifié conformément au Code national d'électricité, ANSI/ NFPA n° 7, dernière édition, et toutes les exigences du code électrique local.
- Les codes locaux varient. L'installation, les connexions électriques et la mise à la terre doivent être conformes aux codes applicables.
- Cet appareil a été testé conformément à la norme ANSI/UL 858 pour les cuisinières domestiques et la norme nationale CAN/CSA-22.2 n° 61 pour les cuisinières domestique au Canada. Il incombe au propriétaire et à l'installateur de déterminer si des exigences additionnelles et normes s'appliquent pour une installation spécifique

Exigences de sécurité de l'équipement et utilisation

- L'appareil est lourd et requiert deux personnes ou un équipement approprié pour le déplacer.
- Monter, s'appuyer ou s'asseoir sur les portes ou tiroirs de la cuisinière peut causer des dommages à l'appareil ou des blessures.
- Ne pas laisser les enfants grimper ni jouer avec l'appareil. Le poids d'un enfant sur une porte ouverte peut faire basculer l'appareil et causer des brûlures ou blessures sérieuses.
- Ne pas ranger des objets d'intérêt pour les enfants dans les armoires au-dessus ou sur le dossier de l'appareil. Les enfants peuvent grimper sur l'appareil pour atteindre ces objets et se blesser sérieusement.
- Pour éliminer le risque de brûlures ou d'incendie en passant par dessus l'appareil, le rangement dans les armoires au-dessus devrait être évité. Sinon, le risque peut être réduit en installant une hotte à projection minimum de 5 po (12,7 cm) des armoires.
- Retirer tout adhésif et emballage avant d'utiliser l'appareil. Jeter le matériel d'emballage après avoir déballer l'appareil. Ne jamais laisser les enfants jouer avec le matériel d'emballage.
- Ne pas réparer ni remplacer toute pièce de l'appareil à moins de recommandations spécifiques indiquées dans le guide. Tout autre service doit être effectué par un technicien qualifié. Ceci pour réduire le risque de dommage à l'appareil et de blessures.
- Ne jamais modifier la fabrication de l'appareil en enlevant les pieds niveleurs, panneaux, couvercle de câblage, fixation anti bascule/vis ou toute autre pièce de l'appareil.
- NE PAS SOULEVER L'APPAREIL PAR LA POIGNÉE.
- Retirer la porte pour une manutention plus facile. Voir Retrait de la porte du four à la rubrique entretien du guide d'utilisation et d'entretien.

- Ne pas utiliser le tiroir réchaud (si applicable) ou le four à des fins de rangement.
- Certaines surfaces peuvent avoir des bords tranchants. Faire attention en allant derrière ou sous l'appareil.

Exigences d'alimentation et instructions de mise à la terre

- Avant l'installation, mettre hors circuit au panneau de service et le verrouiller pour éviter la mise en circuit accidentelle.
- Il faut savoir comment débrancher l'alimentation à la cuisinière au coupe-circuit ou fusible en cas d'urgence.

Installation

Avant de commencer

Outils et pièces nécessaires

- Nécessaire d'alimentation 50 amp (non nécessaire pour les installations au Canada)
- Ruban à mesurer
- Tournevis à lame Phillips
- Clé 1 1/4 po (31,8 mm)
- Crayon
- Tournevis T-20
- Vis (2) et ancrages (2) pour fixation anti bascule (style variant selon la surface d'installation)
- Niveau
- Perceuse et mèches
- Gants et lunette de sécurité
- Ruban adhésif (optionnel)
- Carton ou chiffon (optionnel pour protéger le plancher)

Pièces additionnelles nécessaires pour installation à raccordement fixe

- Conduit flexible (pour raccordement fixe seulement)
- Clé dynamométrique (pour raccordement fixe seulement)
- **Remarque** : nécessaire de cordon d'alimentation non nécessaire pour installation à raccordement fixe

Pièces comprises

- Fixation anti bascule
- Cosses (pour installation à raccordement fixe) (non nécessaires pour installation au Canada)

Exigences pour l'armoire

Cet appareil est conçu pour une installation près de murs adjacents et surfaces projetées fabriqués de matériaux combustibles. Allouer un minimum de 30 po (76,2 cm) entre les armoires où la cuisinière doit être installée (dégagement de

0,47 po (12 mm) de la paroi latérale de la cuisinière à l'armoire requis au Canada).

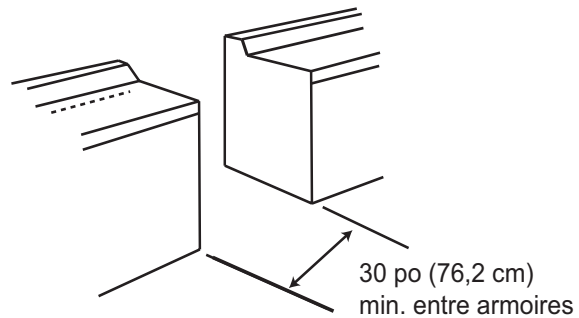


Figure 1: Dégagements d'armoire

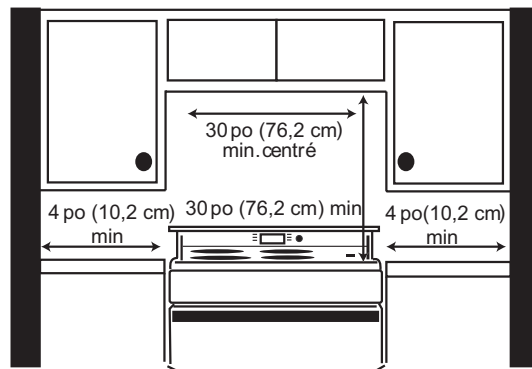
Dégagements requis :

Ces instructions pour dégagement ont été déterminées selon des armoires de type américain standard. Les armoires inférieures standard mesurent 36 po (91,4 cm) de haut par 24 po (60,9 cm) de profondeur. Les armoires au-dessus de la surface de cuisson et celles adjacentes mesurent 13 po (33 cm) de profondeur depuis le mur arrière. Si des armoires non standard sont utilisées, il faut modifier les dimensions de façon appropriée.

REMARQUE : certains finis d'armoire ne tolèrent pas les températures allouées par U.L. pour les appareils, particulièrement les fours autonettoyants. Les armoires peuvent se décolorer ou tacher. Ceci est remarquable avec les armoires laminées.

De la surface de cuisson aux matériaux au-dessus :

Il doit y avoir un dégagement minimum de 30 po (76,2 cm) entre le haut de la surface de cuisson et le bas d'une armoire en métal ou en bois non protégé..



aucun dégagement requis (dégagement 12 mm de la paroi de l'appareil à l'armoire requis au Canada)

Figure 2: Dégagements de la surface de cuisson

24 po (60 cm) sont acceptables lorsque le bas d'une armoire en bois ou métal est protégé par

(a) pas moins de 1/4 po (6,35 mm) de matériaux ignifuges qui doivent être recouverts avec

(b) pas moins de n° 28 MSG feuille de métal, 0.015 po (,381 mm) acier inoxydable ou 0.024 po (,601 mm) aluminium ou cuivre.

Depuis les parois de la cuisinière aux matériaux adjacents (voir figure 2 ci-dessus):

Aucun dégagement nécessaire depuis les parois de l'appareil aux murs combustibles verticaux adjacents à l'arrière, à gauche ou à droite. Le dégagement du haut de la cuisinière aux murs verticaux adjacents doit être d'au moins 4 po (10,2 cm).

Exigences électriques

La prise électrique doit être située dans l'espace ombré donné à la figure 3.

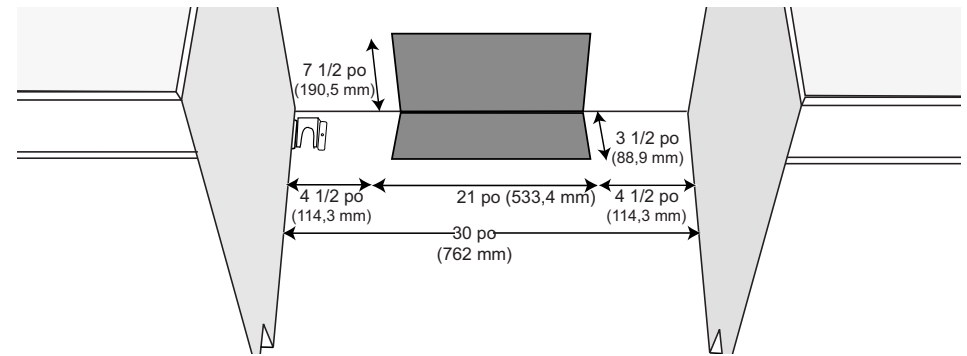


Figure 3: Emplacement de la prise électrique

S'assurer que le câblage à la résidence est adéquat.

Communiquer avec la compagnie d'électricité afin de vérifier si l'alimentation électrique de la résidence est adéquate. Dans certains cas, la dimension du câblage et l'interrupteur doivent être augmentés afin de répondre à la charge électrique requise par la cuisinière.

S'assurer que le câblage intérieur est adéquat.

La plupart des codes de câblage requièrent un circuit séparé avec un interrupteur de débranchement séparé et fusible au panneau d'entrée principal ou un interrupteur séparé et boîte de fusibles. La plupart des règlements de construction locaux et des codes requièrent que le câblage électrique soit effectué par un électricien qualifié. S'assurer d'installer l'appareil selon les codes d'électricité applicables dans la région.

Généralités

Les cuisinières ont une cote jumelée pour utilisation avec 120/240 VAC ou 120/208 VAC. Voir le tableau à droite pour les cotes d'alimentation et la dimension de coupe-circuit en fonction de la tension pour chaque modèle.

Nous recommandons que la cuisinière soit installée avec un nécessaire de cordon d'alimentation approuvé U.L. (non fourni). La cote électrique du cordon d'alimentation doit être de 120/240 volts, 50 ampères, minimum. Le nécessaire de cordon d'alimentation doit être marqué « Pour utilisation avec cuisinière ». Toujours utiliser un nouveau cordon d'alimentation. Aussi, la cuisinière peut avoir un raccordement fixe en utilisant des cosses en aluminium comprises avec le nécessaire de documentation. Si l'on utilise cette connexion, un conduit flexible doit aussi être utilisé (non fourni).

Nous recommandons un circuit 50 ampères, 60 Hz à 4 fils. Toutefois le Code national d'électricité (NEC) permet que certaines cuisinières soient installées avec un circuit de 40 ampères. Consulter les exigences du code d'électricité local afin de déterminer l'ampérage requis. Toujours choisir un nécessaire de cordon d'alimentation qui est coté pour le circuit. Conformément au NEC, un circuit séparé est également recommandé.

Remarque : au Canada, la cuisinière est expédiée de l'usine avec un cordon d'alimentation déjà installé. Passer à l'étape 9.

Pour les installations autres qu'au Canada, installer un réducteur de tension et brancher le cordon de l'appareil (ou conducteurs de câblage) tel qu'il est décrit aux étapes suivantes.

Tableau 1: Données techniques électriques

Vérifier la plaque signalétique pour la cote KW. Référer à la cote KW dans le tableau pour déterminer l'ampérage requis.

Cote KW		AMPS requis	
À 120/240 volts :	À 120/208 volts :	Modèles É.-U.:	Modèles canadiens:
12,3	9,2	40 ou 50*	
12,6	9,5	40 ou 50*	50
13,5	10,2	50	

* Varie selon les endroits. Consulter le code d'électricité local.

Installation

Conseils d'installation

- Apposer du ruban adhésif sur le tiroir réchaud ou de rangement pour l'empêcher d'ouvrir pendant l'installation.
- Pendant l'installation, placer une portion de la boîte ou un tissu sous la cuisinière pour protéger le plancher.
- Pour alléger l'appareil et faciliter la manutention, enlever la porte (voir les instructions dans le guide d'utilisation et d'entretien).

1) Installation de la ventilation

Nous recommandons fortement l'installation d'une hotte au-dessus de la cuisinière. Pour la plupart des cuisines, une cote de hotte certifiée de pas moins de 300 pi³/min est recommandée. La hotte doit être installée selon les instructions fournies avec la hotte.

2) Préparation des murs et du plancher

Sceller tout trou dans les murs ou le plancher. Retirer toute obstruction (connexions électriques ou de gaz additionnelles, etc.) afin que l'appareil soit adéquatement appuyé contre le mur.

3) Préparation de la cuisinière

Placer la cuisinière devant les armoires où elle doit être installée. Retirer tout emballage.

4) Installation du réducteur de tension



AVERTISSEMENT : le réducteur de tension fourni avec le cordon de la cuisinière doit être installé.

Placer le réducteur de tension dans le trou à estamper sous le bloc de bornes (figure 4). Alimenter le cordon par le trou et le réducteur de tension vers le bloc de bornes. Laisser assez de cordon entre le réducteur de tension et le bloc de bor-

nes. Une fois la longueur ajustée, fixer le réducteur de tension selon les instructions fournis avec le réducteur.

Conseil : le panneau à estamper (sous le bloc de bornes) peut être enlevé de la cuisinière pour installer le réducteur de tension. Enlever le panneau de la cuisinière, installer le réducteur de tension sur le panneau, puis remettre en place. NE PAS enlever complètement le panneau arrière de l'appareil..

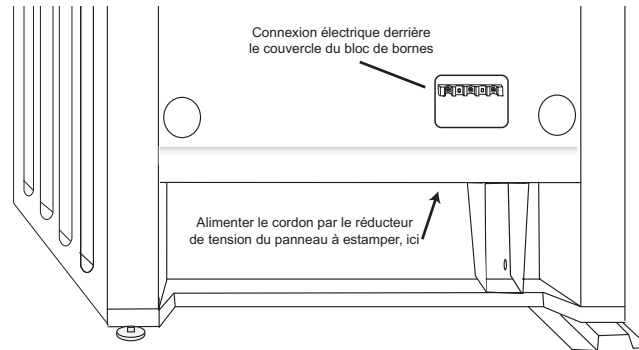


Figure 4: Figure 4. Emplacement du panneau à estamper du réducteur de tension et connexion électrique

5) Connexion électrique

Il y a quatre connexions possibles:

1. Cordon de cuisinière à 4 fils
2. Cordon de cuisinière à 3 fils
3. Connexion de conduit flexible à 4 fils (raccordement fixe)
4. Connexion de conduit flexible à 3 fils (raccordement fixe)

La connexion de cuisinière à 4 fils est recommandée, mais là où les codes le permettent, la connexion à 3 fils est aussi acceptable.

Au lieu du cordon pour cuisinière, l'appareil peut aussi avoir un raccordement fixe avec connexion à 3 ou 4 fils. Dans ce cas, les cosses fournies doivent être utilisées.

Toujours vérifier si la connexion choisie est conforme à tous les codes applicables. Voir Données techniques électriques au début de ce guide pour plus de détails.



AVERTISSEMENT : pour éviter les choc électriques, la broche de mise à la terre du cordon ne doit pas, en aucun cas, être coupée ni enlevée. Elle doit être branchée sur une prise mise à la terre correspondante et branchée sur un circuit 240 volts adéquatement polarisé. En cas de doute concernant la mise à la terre, communiquer avec un électricien qualifié.



AVERTISSEMENT : risque de choc électrique ou d'incendie. Le cadre mis à la terre au neutre par le conducteur de terre. La mise à la terre par le conducteur neutre est interdit pour les nouvelles installations de circuit terminal (1996 NEC), maisons mobiles et véhicules récréationnels ou dans les endroits où les codes interdisent la mise à la terre par un conducteur neutre.

Pour les installations où la mise à la terre par le conducteur neutre est interdite, (a) débrancher le lien du neutre, (b) utiliser la borne de terre ou le fil pour mettre l'appareil à la terre, (c) brancher la borne neutre sur le fil neutre du circuit terminal de la façon habituelle (lorsque l'appareil doit être branché par un nécessaire de cordon, utiliser un cordon à 4 fils)..

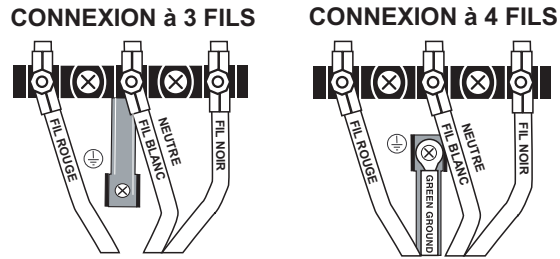


Figure 5: Options de mise à la terre

Utiliser seulement les nécessaires de cordon cotés 125/250 volts (minimum), 50 ampères et étiquetés « Pour utilisation avec cuisinière ». Le réducteur de tension fourni avec le cordon doit être installé selon les instructions fournies avec le cordon.

5A) Connexion du cordon à 4 fils (méthode recommandée)

1. Débrancher l'alimentation électrique au disjoncteur.
2. Enlever le couvercle du bloc de bornes pour exposer le bloc de borne..

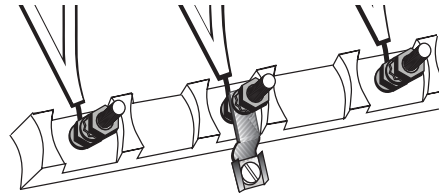


Figure 6: Connexion à 4 fils

3. Enlever l'écrou supérieur, rondelle étoile et rondelle ronde de chaque tige.

Remarque : NE PAS enlever la dernière rondelle ronde, dernier écrou ou fils de câblage interne.

4. Enlever la vis au bas de l'extrémité du conducteur de terre.
5. Enlever le conducteur de terre de la tige centrale, tourner afin que l'extrémité large soit au haut et fixer l'extrémité large à la cuisinière par le trou sous la boîte de jonction. Fixer le fil vert sur le dessus du conducteur de terre. Serrer la vis.

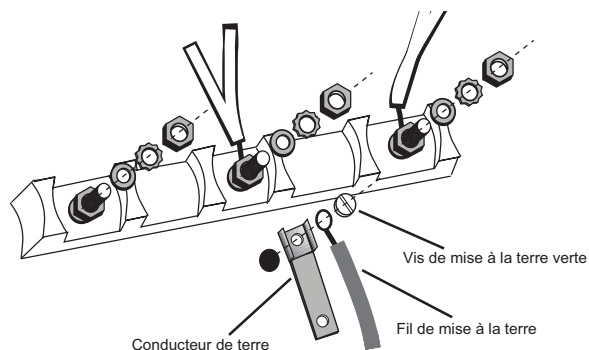


Figure 7: Connexion à 4 fils – conducteur de terre et fil

6. Fixer le fil rouge, rondelle ronde, rondelle étoile et écrou DANS CET ORDRE sur la tige gauche.
7. Fixer le fil blanc, rondelle ronde, rondelle étoile et écrou DANS CET ORDRE sur la tige centrale.
8. Fixer le fil noir, rondelle ronde, rondelle étoile et écrou DANS CET ORDRE sur la tige droite..

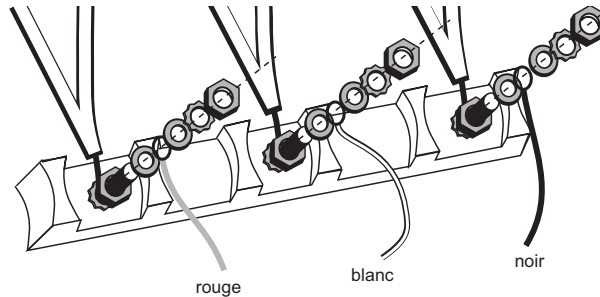


Figure 8: Connexion à 4 fils (suite)

9. Serrer toutes les connexions adéquatement et remettre le couvercle du bloc de bornes.
10. Bien fixer le réducteur de tension (voir rubrique précédente).

5B) Connexion de cuisinière à 3 fils

La connexion à 4 fils est préférable, mais là où les codes et règlements permettent la mise à la terre par le neutre et où la conversion à 4 fils n'est pas pratique, l'appareil peut être branché sur l'alimentation électrique par une connexion à 3 fils.

1. Débrancher l'alimentation électrique au disjoncteur.
2. Enlever le couvercle du bloc de bornes pour exposer le bloc de borne.

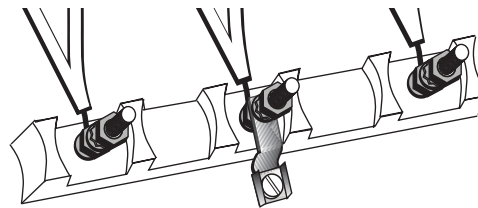


Figure 9: Bloc de bornes

3. Enlever l'écrou supérieur, rondelle étoile et rondelle ronde de chaque tige.

Remarque : NE PAS enlever la dernière rondelle ronde, dernier écrou ou fils de câblage interne.

4. Fixer le fil blanc, rondelle ronde, rondelle étoile et écrou DANS CET ORDRE sur le dessus du conducteur de terre sur la tige centrale
5. Fixer le fil rouge, rondelle ronde, rondelle étoile et écrou DANS CET ORDRE sur la tige gauche

6. Fixer le fil noir, rondelle ronde, rondelle étoile et écrou DANS CET ORDRE sur la tige droite.

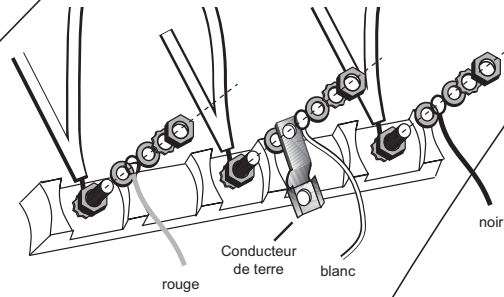


Figure 10: Connexion à 3 fils

7. Serrer toutes les connexions adéquatement et remettre le couvercle du bloc de bornes.

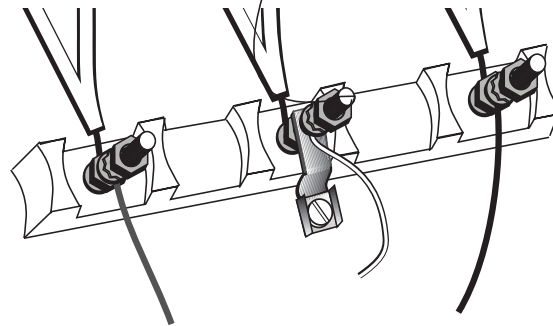


Figure 11: Connexion à 3 fils complétée

8. Bien fixer le réducteur de tension (voir rubrique précédente).

Remarque : NE PAS brancher l'appareil à ce moment.

5C) Connexion de conduit flexible à 4 fils

1. Débrancher l'alimentation électrique au disjoncteur.
2. Enlever le couvercle du bloc de bornes pour exposer le bloc de borne.
3. Enlever l'écrou supérieur, rondelle étoile et rondelle ronde de chaque tige.

Remarque : NE PAS enlever la dernière rondelle ronde, dernier écrou ou fils de câblage interne.

4. Enlever la vis de l'extrémité inférieure du conducteur de terre.
5. Enlever le bloc de bornes de la tige centrale. Jeter.
6. Fixer une cosse (fournie avec ce guide) par le trou sous le bloc de bornes avec la vis de mise à la terre.
7. Placer une cosse (fournie avec ce guide) sur chaque tige. Remettre la rondelle étoile et la rondelle ronde et fixer avec une force de 20 po/lb.
8. Dégainer 3/8 po (9,53 mm) d'isolant de l'extrémité du fil.

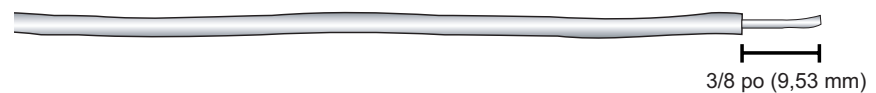


Figure 12: Dégainer le fil

9. Insérer le fil de mise à la terre isolé sur la cosse sous le bloc de bornes.
10. Insérer l'extrémité dégainée du fil blanc dans la cosse centrale. Fixer avec une vis de serrage.

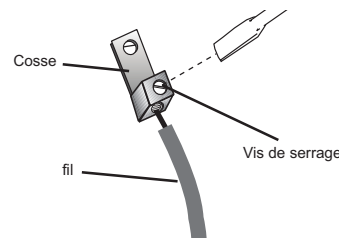


Figure 13: Fixer le fil à la cosse

11. Insérer l'extrémité dégainée du fil rouge sur la cosse gauche. Fixer avec une vis de serrage.
12. Insérer l'extrémité dégainée du fil noir dans la cosse droite. Fixer avec une vis de serrage.
13. Serrer chaque vis de serrage avec une force appropriée (voir le tableau)

Tableau 2: niveau de force approprié pour fil aluminium ou cuivre

Calibre	Force (po/lb)	Force (Nm)
6	35	3,95
8	25	2,82

14. Fixer adéquatement le conduit flexible au trou à estamper en angle et à la boîte de jonction, côté alimentation. Le câblage est complété.

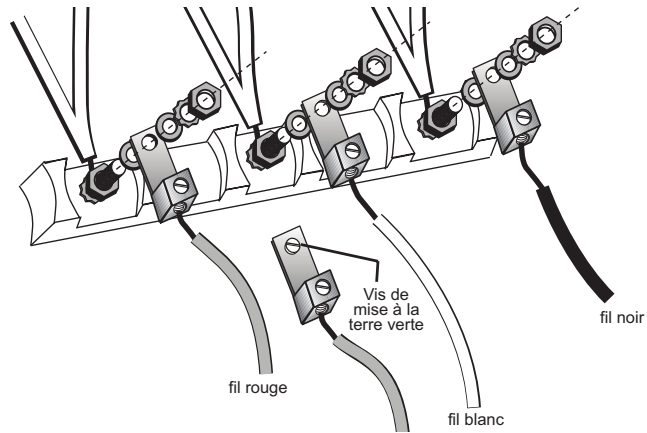


Figure 14: Connexion de conduit flexible à 4 fils complétée

Remarque : NE PAS brancher l'appareil à ce moment.

5D) Connexion de conduit flexible à 3 fils

La connexion à 4 fils est préférable, mais là où les codes et règlements permettent la mise à la terre par le neutre et où la conversion à 4 fils n'est pas pratique, l'appareil peut être branché sur l'alimentation électrique par une connexion à 3 fils.

1. Débrancher l'alimentation électrique au disjoncteur.
2. Enlever le couvercle du bloc de bornes pour exposer le bloc de borne.

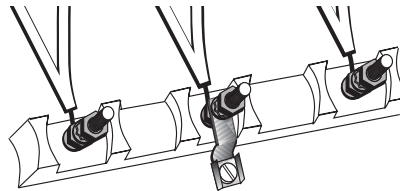


Figure 15: Bloc de bornes

3. 3. Enlever l'écrou supérieur, rondelle étoile et rondelle ronde de chaque tige.

Remarque : NE PAS enlever la dernière rondelle ronde, dernier écrou ou fils de câblage interne.

4. 4. Placer une cosse (fournie avec ce guide) sur chaque tige. Remettre la rondelle étoile et la rondelle ronde et fixer avec une force de 20 po/lb.
5. 5. Dégainer 3/8 po (9,53 mm) d'isolant de l'extrémité du fil..



Figure 16: Dégainer le fil

6. Insérer l'extrémité dénudée du fil blanc dans la cosse centrale. Fixer avec une vis de serrage..

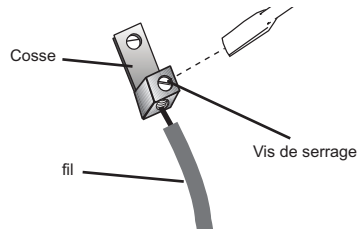


Figure 17: Fixer le fil à la cosse

7. Insérer l'extrémité dénudée du fil rouge sur la cosse gauche. Fixer avec une vis de serrage.
8. Insérer l'extrémité dénudée du fil noir dans la cosse droite. Fixer avec une vis de serrage..

Tableau 3: niveau de force approprié pour fil aluminium ou cuivre

Calibre	Force (po/lb)
6	35
8	25

9. Serrer chaque vis de serrage avec une force appropriée (voir le tableau)
10. Fixer adéquatement le conduit flexible au trou à estamper en angle et à la boîte de jonction, côté alimentation. Le câblage est complété.

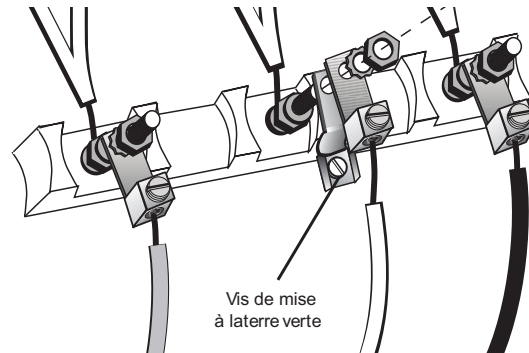


Figure 18: Conduit flexible à 3 fil complété

Remarque : NE PAS brancher l'appareil à ce moment.

6) Installer la fixation anti bascule au plancher



AVERTISSEMENT

RISQUE DE BASCULE DE LA CUISINIÈRE

Toute cuisinière peut basculer et causer des blessures. Pour éviter cela, fixer l'appareil au mur, plancher ou armoire à l'aide de la fixation anti bascule.

- Risque que l'appareil bascule s'il n'est pas installé conformément à ces instructions.

• Si la cuisinière est tirée du mur pour le nettoyage, service ou autres raisons, s'assurer que la fixation anti bascule est adéquatement enclenchée lorsque l'appareil est remis à sa position initiale. Dans le cas d'un usage anormal (une personne debout, assise ou appuyée sur la porte ouverte), si cette précaution n'est pas prise, l'appareil peut basculer. Il peut en résulter des blessures causées par des liquides chauds renversés ou par l'appareil lui-même.

1. Régler la hauteur de l'appareil en tournant les pieds réglables au bas de la cuisinière à l'aide d'une clé 1 1/4 po (31,75 mm)..

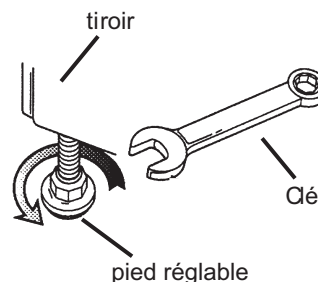


Figure 19: Réglage des pieds

2. Mesurer pour placer la fixation, comme ci-dessous..

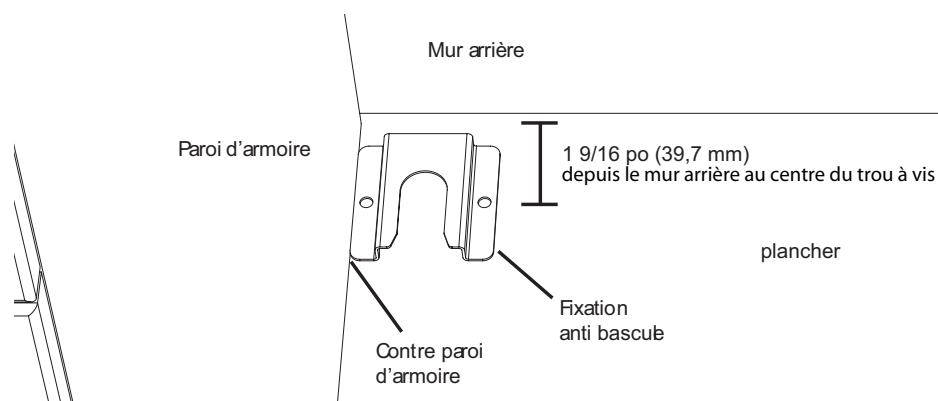


Figure 20: Emplacement de la fixation anti bascule

3. Fixer la fixation avec 2 vis (non comprises) correspondant à la surface (ex. : vis à bois pour plancher en bois, à béton pour plancher à béton).

7) Compléter l'installation

1. Placer la cuisinière assez près de l'ouverture pour la brancher sur la prise.
2. Pousser l'appareil en position en s'assurant que le pied gauche se glisse sous la fixation anti bascule. L'appareil doit être à 3/4 po (19,05 mm) du mur arrière lorsque bien installé.
3. Incliner délicatement l'appareil vers l'avant pour s'assurer que la fixation empêche le basculement de l'appareil.
4. Mettre l'alimentation en circuit. Vérifier le fonctionnement adéquat de l'appareil tel qu'indiqué dans le guide d'utilisation et d'entretien.

ATTENTION : si l'affichage clignote et fait bip, la polarité du câblage peut être inversée. Ceci peut endommager l'appareil et causer un risque de choc électrique. Mettre hors circuit immédiatement au coupe-circuit et reprendre l'étape 5 – Connexion électrique.

Service

Pour un représentant de service, voir l'information au début du guide. Avoir l'information figurant sur la plaque signalétique.

Plaque signalétique

La plaque signalétique figure sur le cadre de l'appareil près du tiroir. Ouvrir le tiroir pour la voir.

Contenido

Instrucciones Importantes de Seguridad	1
Instalación	2
Antes de comenzar	2
Herramientas y partes que se necesitan	2
Partes adicionales que se necesitan para instalaciones permanentes	2
Partes incluidas	2
Requerimientos para los gabinetes	2
Requerimientos eléctricos	3
Instalación	5
Consejos de instalación	5
Instalar la ventilación	5
Preparar las paredes y los pisos	5
Preparar la estufa	5
Instalar el prensacables	5
Conexión eléctrica	6
Fijar el soporte antivolcadura al piso	12
Terminar la instalación	13
Service	14
Etiqueta de información	14

¿Preguntas?

1-800-944-2904

www.boschappliances.com

5551 McFadden Ave.
Huntington Beach, CA 92649

¡Estamos a sus órdenes!



Instrucciones Importantes de Seguridad

LEA Y GUARDE ESTAS INSTRUCCIONES

Instrucciones Importantes de Seguridad

ADVERTENCIA: El hecho de no observar con exactitud la información en este manual puede causar un incendio o una explosión, y como resultado daños a la propiedad, lesiones o la muerte.

- Solicite a su distribuidor que le recomiende un técnico calificado y un centro de servicio autorizado.
- Instale sólo de acuerdo a las instrucciones de instalación que se incluyen con esta estufa.
- Importante - Guarde estas instrucciones para el uso del inspector eléctrico.

Códigos de seguridad y especificaciones

- Asegúrese de que su aparato esté instalado y aterrizado correctamente por un técnico calificado de acuerdo con los requerimientos de códigos eléctricos locales y la última edición del Código Eléctrico Nacional ANSI/NFPA No. 7.
- Los códigos locales pueden variar. La instalación, las conexiones eléctricas y la puesta a tierra deben cumplir con todos los códigos aplicables.
- Este aparato ha sido probado de acuerdo con la norma de seguridad para estufas domésticas ANSI/UL 858 y la norma nacional canadiense para estufas domésticas CAN/CSA-22.2 No. 61. Es la responsabilidad del propietario y del instalador determinar si aplican requerimientos y normas adicionales en instalaciones específicas.

Requerimientos de seguridad del equipo y su uso

- La unidad está pesada y se requieren al menos dos personas o un equipo adecuado para moverla.
- Pisar, recostarse o sentarse sobre las puertas o los cajones de esta estufa puede causar lesiones serias y también dañar la estufa.
- No permita que los niños se suban o que jueguen cerca de la estufa. El peso de un niño sobre una puerta abierta puede causar la volcadura de la estufa, causando quemaduras serias u otras lesiones.
- No almacene cosas de interés para los niños en los gabinetes arriba de la estufa o la parte trasera de ésta. Cuando los niños se suben a la estufa para alcanzar estas cosas, pueden sufrir heridas serias.
- Para eliminar el riesgo de quemaduras o fuego al inclinarse encima de superficies calientes, se deben evitar espacios de almacenamiento en los gabinetes arriba de las unidades superficiales. Si se debe proporcionar espacio para gabinetes, se puede reducir el riesgo al instalar una campana que salga horizontalmente un mínimo de 5 pulgadas (12.7 cm) más allá del fondo del gabinete.
- Quite las cintas adhesivas y materiales de empaque antes de usar la estufa. Destruya el cartón y las bolsas de plástico después de desempacar la estufa. Nunca permita que los niños jueguen con el material de empaque.
- No trate de reparar o reemplazar alguna parte del aparato a menos que los manuales lo recomienden específicamente. Todo servicio adicional debe ser realizado por un técnico calificado. Esto puede reducir el riesgo de heridas personales o daños a la estufa.
- Nunca modifique o altere la construcción de una estufa quitando las patas de nivelación, paneles, protecciones de cables, soporte antivolcadura/tornillos o cualquier otra parte del producto.
- NUNCA LEVANTE LA ESTUFA POR LA AGARRADERA DE LA PUERTA.
- Quite la puerta para facilitar el manejo y la instalación. Vea la Sección 'Quitar la Puerta del Horno' en la sección de Mantenimiento del manual de Uso y Cuidado.

- No use el cajón calentador (si se incluye) o el horno para almacenar cosas.
- Las superficies ocultas pueden tener bordes filosos. Tenga cuidado cuando meta la mano detrás o debajo de la estufa.

Requerimientos de alimentación eléctrica e instrucciones para la puesta a tierra

- Antes de instalar, APAGUE la corriente en el panel de servicio. Bloquee el panel para evitar que se PRENDA la corriente accidentalmente.
- Aprenda a desconectar la corriente en el cortacircuitos o la caja de fusibles en caso de una emergencia.

Instalación

Antes de comenzar

Herramientas y partes que se necesitan

- Cable de alimentación eléctrica de 50 amps (no se necesita para instalaciones en Canadá)
- Cinta de medir
- Destornillador de cabeza Phillips (de cruz)
- Llave inglesa de 1-1/4" (31.8 mm)
- Lápiz
- Destornillador de cabeza Torx T-20
- Tornillos (2) y anclas (2) para el soporte antivolcadura (El estilo varía dependiendo de la superficie de montaje)
- Niveleta
- Taladro y broca
- Guantes y lentes de seguridad
- Cinta (Opcional)
- Trapo o cartón (Opcional - para proteger el piso)

Partes adicionales que se necesitan para instalaciones permanentes

- Conducto flexible (Sólo para instalaciones permanentes)
- Llave inglesa (Sólo para instalaciones permanentes)
- **Nota:** No se necesita el kit del cable de alimentación eléctrica con instalaciones permanentes

Partes incluidas

- Soporte antivolcadura
- Terminales de orejeta (Se usan con instalaciones permanentes) (no se necesitan para instalaciones en Canadá)

Requerimientos para los gabinetes

1. Esta unidad está diseñada para una instalación cerca de paredes adyacentes y las superficies salientes que son hechas de materiales combustibles. Se requiere un mínimo espacio libre de 30 pulgadas (76.2 cm) entre los gabi-

netes donde se va a instalar la estufa (En Canadá se requiere un espacio libre de 0.47" (12 mm) desde la pared lateral de la estufa hasta el gabinete)

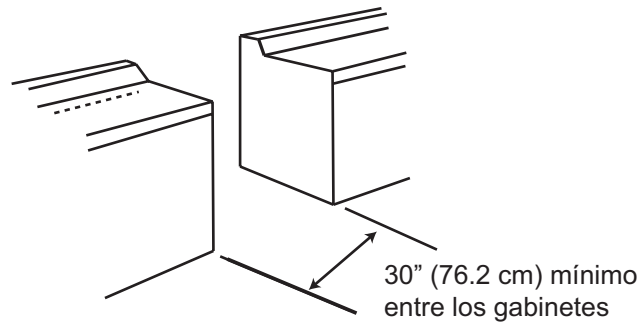


Figure 1: Espacios libres para los gabinetes

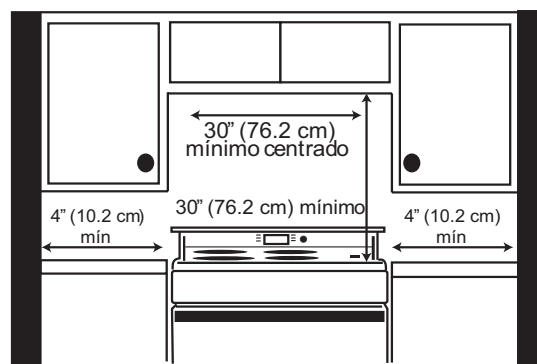
Espacios libres requeridos:

Se determinaron las instrucciones en base a gabinetes americanos estándar. Los gabinetes estándar de piso miden 36" (91.4 cm) de altura x 24" (60.9 cm) de profundo. Los gabinetes arriba de la superficie de cocinar y los gabinetes junto a los que están arriba de la superficie de cocinar miden 13" (33 cm) de profundo de la pared trasera. Cuando se usan gabinetes no estándar, tenga cuidado de modificar las dimensiones correctamente.

Nota: El acabado de algunos gabinetes no puede sobrevivir las temperaturas permitidas por U.L. para aparatos electrodomésticos, sobre todo los hornos de autolimpieza; los gabinetes pueden perder su color o mancharse. Esto se nota aún más con gabinetes laminados.

Desde la parrilla a los materiales arriba:

Debe haber un espacio libre mínimo de 30 pulgadas (76.2 cm) entre la parte superior de la superficie de cocinar y el fondo de un gabinete de madera o metal no protegido.



no se requiere espacio libre (en Canadá, se requiere un espacio libre de 12 mm del costado de la estufa al gabinete.)

Figure 2: Espacios libres para la estufa

24 pulgadas (610 mm) son aceptables cuando el fondo del gabinete de metal o madera está protegido por

- (a) no menos de 1/4" (6.35 mm) de material retardante al fuego que debe estar cubierto con
- (b) no menos de chapa No. 28 MSG, con un grueso de 0.015 pulgadas (.381 mm) de acero inoxidable o 0.024 pulgadas (.601 mm) de aluminio o cobre.

Desde las paredes de la estufa a los materiales adyacentes (Vea la Figura 2 arriba):

No se requiere ningún espacio libre desde las paredes de la unidad a las paredes verticales adyacentes combustibles en la parte trasera, izquierda y derecha. El espacio libre desde la parte superior de la estufa a las paredes verticales adyacentes debe ser al menos 4" (10.2 cm).

Requerimientos eléctricos

Se debe ubicar la tomacorriente en el espacio sombreado en la Figura 3.

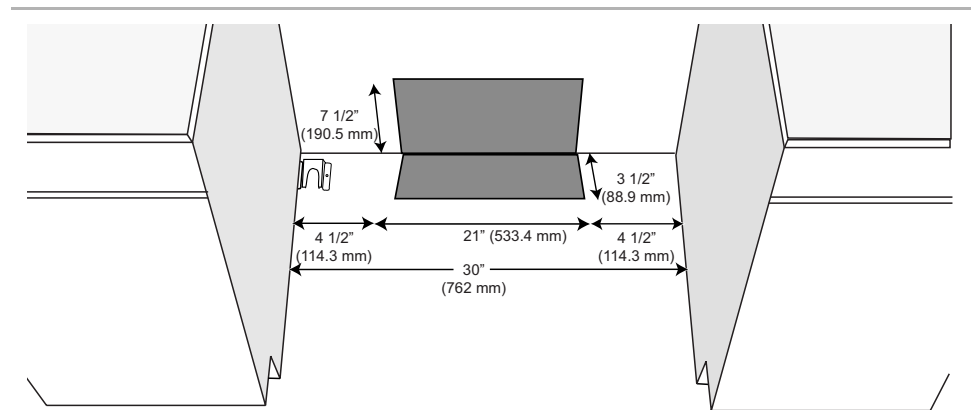


Figure 3: Ubicación de la tomacorriente

Verificar que el cableado a la casa sea el adecuado.

Contacte a su proveedor local de luz para verificar que el servicio eléctrico actual en su casa sea el adecuado. En algunos casos, se debe aumentar el tamaño del cableado a la casa y al interruptor de servicio para poder manejar la carga eléctrica exigida por la estufa.

Verificar que el cableado dentro de la casa sea el adecuado.

La mayoría de los códigos de cableado requieren de un circuito separado con un desconectador y fusibles separados en el panel de la entrada principal o en una caja separada de interruptores y fusibles. La mayoría de las regulaciones locales de construcción requieren que un eléctrico calificado realice la instalación eléctrica. Asegúrese de instalar su estufa de acuerdo a los códigos eléctricos aplicables en su región.

Información general

Las estufas tienen doble régimen eléctrico nominal para 120/240 VAC o 120/208 VAC. Vea la tabla para el régimen eléctrico y el tamaño del cortacircuito basado en el voltaje de alimentación para cada modelo.

Recomendamos instalar la estufa con un cable de alimentación (no se incluye). La clasificación eléctrica nominal del cable de alimentación debe ser mínimo 120/240 voltios, 50 amperes. El cable de alimentación debe estar marcado con "Para Uso con Estufas". Siempre use un nuevo cable de alimentación. De modo alter-

nativo, se puede conectar la estufa directamente usando las terminales de lengüeta de aluminio que se incluyen en el juego de literatura. Cuando utiliza esta conexión, se debe usar siempre un conducto flexible (no se incluye).

Recomendamos un circuito de 4 hilos, 50 AMP, 60 Hz; Sin embargo, el NEC (Código Nacional Eléctrico) permite instalar algunas estufas en un circuito de 40 AMP. Consulte su código eléctrico local para determinar el amperaje requerido. Siempre escoja un cable de alimentación con una clasificación eléctrica para el circuito. También recomendamos un circuito separado, en conformidad con el NEC.

Nota: En Canadá, se envía la estufa desde la fábrica con el cable de alimentación eléctrica instalado. Siga con el paso 9.

Para instalaciones fuera de Canadá, instale el prensacables y conecte el cable de la estufa (o conductores de hilos) según se describe a continuación.

Tabla 1: Especificaciones eléctricas

Revise la placa de información para el régimen de kW. Régimen de kW de referencia en la tabla para determinar los requerimientos del amperaje.

Régimen de kW		AMPS Requeridos	
A 120/240 Volts:	A 120/208 Volts:	Modelos EUA:	Modelos Canadá:
12.3	9.2	40 o 50*	
12.6	9.5	40 o 50*	50
13.5	10.2	50	

* Varía según el lugar. Consulte el código eléctrico local.

Instalación

Consejos de instalación

- Aplique cinta al cajón calentador o al cajón de almacenamiento para evitar que se abra durante la instalación de la estufa.
- Durante la instalación, coloque un pedazo de la caja de cartón o un trapo debajo de la estufa para proteger el piso.
- Para hacer la estufa más ligera y más fácil de manejar, quite la puerta (vea las instrucciones en el manual de uso y cuidado).

1) Instalar la ventilación

Recomendamos fuertemente instalar una campana de ventilación arriba de esta estufa. Para la mayoría de cocinas se recomienda una campana con un régimen eléctrico nominal no menor de 300 CFM. La campana debe ser instalada de acuerdo a las instrucciones incluidas con ésta.

2) Preparar las paredes y los pisos

Selle cualquier orificio en las paredes o el piso. Quite cualquier obstrucción (conexiones eléctricas o de gas adicionales) de modo que la estufa pueda descansar correctamente contra la pared.

3) Preparar la estufa

Coloque la estufa en frente de los gabinetes donde se va a instalar. Quite todo el material de empaque.

4) Instalar el prensacables



ADVERTENCIA: Se debe instalar correctamente el prensacable que viene incluido con el cable de la estufa.

Coloque el prensacable en el agujero ciego abajo del bloque de terminales (Vea Figura 4). Ponga el cable de la estufa a través del agujero y del prensacable hasta el bloque de terminales. Permita un poco de juego en el cable entre el prensacable y el bloque de terminales. Una vez que haya ajustado la longitud/el juego del cable, fije el prensacable de acuerdo a las instrucciones incluidas con éste.

Consejo: Se puede quitar el panel botador de la estufa (abajo del bloque de terminales) para instalar el prensacable. Quite el panel de la estufa, instale el prensacable en el panel y vuelva a fijarlo. **NO** quite todo el panel trasero de la estufa.

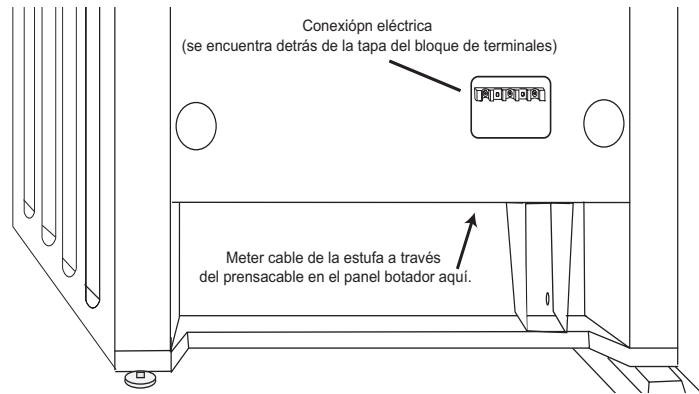


Figure 4: Ubicaciones del panel botador para el prensacables y de las conexiones eléctricas

5) Conexión eléctrica

Hay cuatro posibles conexiones eléctricas:

1. Cable de la estufa de cuatro hilos
2. Cable de la estufa de tres hilos
3. Conexión con conducto flexible de cuatro hilos (conexión permanente)
4. Conexión con conducto flexible de tres hilos (conexión permanente)

La conexión de cuatro hilos es el método preferido, pero donde los códigos locales lo permiten, una conexión de tres hilos es también aceptable.

De modo alternativo al cable de la estufa, se puede conectar la estufa directamente por medio de una conexión ya sea de tres o cuatro hilos. En este caso se deben usar las terminales de lengüeta que se incluyen con el aparato.

Verifique siempre que su conexión elegida cumpla con todos los códigos aplicables. Vea "Especificaciones eléctricas" al principio de este manual para más información.



ADVERTENCIA: Para evitar una descarga eléctrica, no se debe cortar o quitar la espiga de tierra bajo ninguna circunstancia. Se debe enchufar en una tomacorriente correspondiente y conectar a un circuito de 240 Volts correctamente polarizado. Cuando existe alguna duda con respecto a si la tomacorriente está correctamente puesta a tierra, consulte a un eléctrico calificado para checarlo.



ADVERTENCIA: Riesgo de una descarga eléctrica o un fuego. El bastidor está conectado a neutral a través de un cable de tierra. Se prohíbe la conexión a tierra a través del conductor neutral para instalaciones nuevas con circuito de derivación (1996 NEC), casas rodantes y vehículos recreativos, o en áreas donde los códigos locales prohíben el aterrizaje a través del conductor neutral.

Para instalaciones donde se prohíbe la conexión a tierra a través del conductor neutral, (a) desconecte el cable del conductor neutral, (b) use la terminal o el cable a tierra para aterrizar la unidad, (c) conecte la terminal o el cable neutral del circuito de derivación del modo normal (cuando el aparato está conectado mediante un cable de alimentación, use un cable con 4 hilos para este propósito).

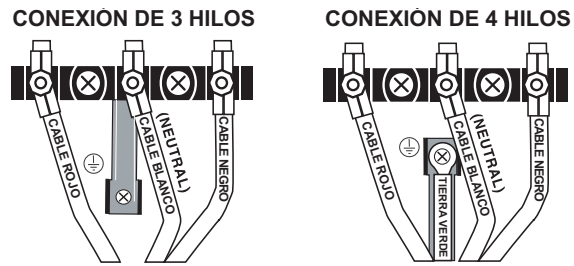


Figure 5: Opciones de la puesta a tierra

Use sólo cables con capacidad nominal de 125/250 volts (mínima), 50 amperes y marcado "Para uso con estufas". Se debe instalar el prensacable incluido con el cable de acuerdo a las instrucciones incluidas.

5A) Conexión del cable con cuatro hilos (método recomendado)

1. Desconecte la corriente eléctrica en la caja del cortacircuito.
2. Quite la tapa del bloque de terminales para exponer el bloque de terminales

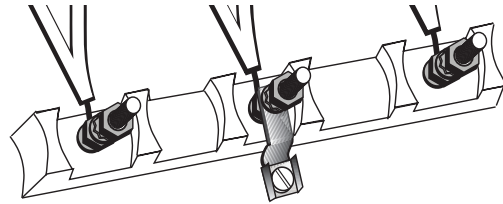


Figure 6: 4 Conexión de hilos

3. Quite la tuerca superior, la arandela de estrella y la arandela redonda de cada poste.

Nota: NO quite la última arandela redonda, la última tuerca o los cables internos.

4. Quite el tornillo del extremo inferior de la tira de conexión a tierra.
5. Quite la tira de conexión a tierra del poste central, gire de modo que el extremo ancho quede arriba y fije el extremo ancho a la estufa a través del agujero abajo de la caja de conexiones. Fije el cable verde en la parte superior de la tira de conexión a tierra. Apriete el tornillo.

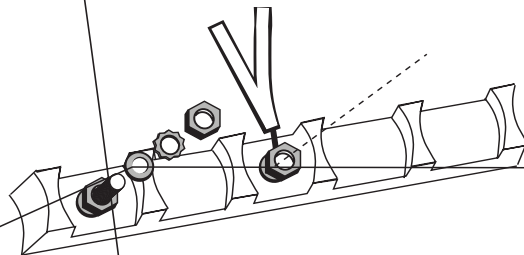


Figure 7: Conexión del cable de 4 hilos - Tira y cable de tierra

6. Fije el cable rojo, la arandela redonda, la arandela de estrella y la tuerca EN ESTE ORDEN al poste izquierdo.
7. Fije el cable blanco, la arandela redonda, la arandela de estrella y la tuerca EN ESTE ORDEN al poste central.
8. Fije el cable negro, la arandela redonda, la arandela de estrella y la tuerca EN ESTE ORDEN al poste derecho.

9. Apriete todas las conexiones bien y reemplace la tapa del bloque de terminales.
10. Fije el prensacables correctamente (vea la sección anterior).

Nota: NO enchufe la estufa en este momento.

5B) Conexión del cable con tres hilos

La conexión de cuatro hilos es el método preferido, pero donde los códigos locales permiten la puesta a tierra a través del neutral y/o donde la conversión a cuatro hilos es algo poco práctico, se puede conectar la unidad a la fuente de alimentación vía una conexión de tres hilos.

1. Desconecte la corriente eléctrica en la caja del cortacircuito.
2. Quite la tapa del bloque de terminales para exponer el bloque de terminales.

3. Quite la tuerca superior, arandela de estrella y arandela redonda de cada poste.

Nota: NO quite la última arandela redonda, la última tuerca o los cables internos.

6. Fije el cable negro, la arandela redonda, la arandela de estrella y la tuerca EN ESTE ORDEN al poste derecho..
-

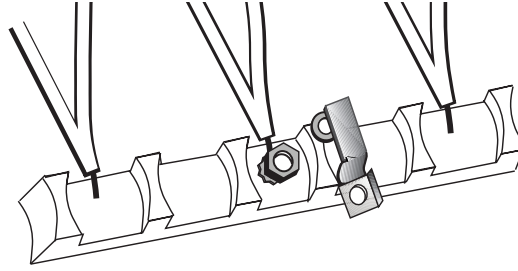


Figure 10: 3 Conexión de hilos

7. Apriete todas las conexiones bien y reemplace la tapa del bloque de terminales...
-

Figure 11: Conexión terminada del cable de la estufa de tres hilos

8. Fije el prensacables correctamente (vea la sección anterior).

Nota: NO enchufe la estufa en este momento.

5C) Conexión con cable flexible de cuatro hilos

1. Desconecte la corriente eléctrica en la caja del cortacircuito.
2. Quite la tapa del bloque de terminales para exponer el bloque de terminales.
3. Quite la tuerca superior, arandela de estrella y arandela redonda de cada poste.

Nota: NO quite la última arandela redonda, la última tuerca o los cables internos.

4. Quite el tornillo del extremo inferior de la tira de tierra.
5. Quite la tira del poste central. Deséchela.
6. Fije una terminal de orejeta (incluida con este manual) a través del agujero abajo del bloque de terminales con el tornillo de tierra.
7. Coloque una terminal de orejeta (incluida con este manual) en cada poste. Reemplace la arandela de estrella y la arandela redonda y fijelos con un torque de 20 pulgadas-libra.
8. Pele 3/8 pulg. (9.53 mm) del aislamiento de cada extremo del cable..



Figure 12: Pelar el cable

9. Inserte el cable de tierra aislado en la terminal de orejeta abajo del bloque de terminales.
10. Inserte el extremo pelado del cable blanco en la terminal central. Fije el tornillo de apriete.

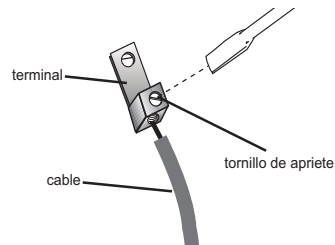


Figure 13: Fijar el cable a la terminal

11. Inserte el extremo pelado del cable rojo en la terminal izquierda. Fije el tornillo de apriete.
12. Inserte el extremo del cable negro en la terminal derecha. Fije el tornillo de apriete.
13. Apriete cada tornillo de apriete con el torque apropiado. (Vea la tabla).

Tabla 2: Niveles correctos de torque para cable de aluminio o cobre

Gauge	Torque (pulg./lbs.)
6	35
8	25

14. Fije el conducto flexible correctamente en el panel botador de la estufa y en la caja de conexiones. El cableado está ahora terminado.

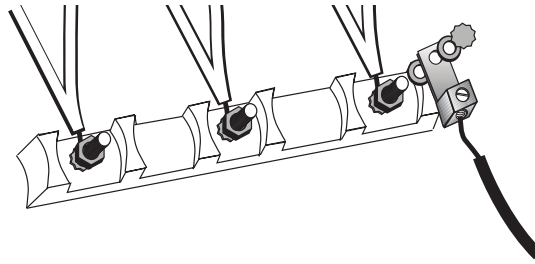


Figure 14: Conexión terminada del conducto flexible de cuatro hilos

Nota: NO enchufe la estufa en este momento.

5D) Conexión con cable flexible de tres hilos

La conexión de cuatro hilos es el método preferido, pero donde los códigos locales permiten la puesta a tierra a través del neutral y/o donde la conversión a cuatro hilos es algo poco práctico, se puede conectar la unidad a la fuente de alimentación vía una conexión de tres hilos.

1. Desconecte la corriente eléctrica en la caja del cortacircuito.
2. Quite la tapa del bloque de terminales para exponer el bloque de terminales.

3. Quite la tuerca superior, arandela de estrella y arandela redonda de cada poste.

Nota: NO quite la última arandela redonda, la última tuerca o los cables internos.

4. Coloque una terminal de orejeta (incluida con este manual) en cada poste. Reemplace la arandela de estrella y la arandela redonda y fíjelos con un torque de 20 pulgadas-libra.
5. Pele 3/8 pulg. (9.53 mm) del aislamiento de cada extremo del cable..

6. Inserte el extremo pelado del cable blanco en la terminal central encima de la tira de conexión a tierra. Fije el tornillo de apriete..

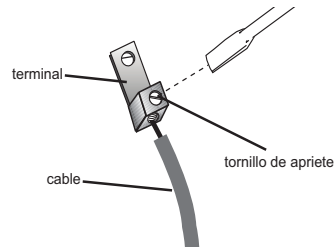


Figure 17: Fijar el cable a la terminal

7. Inserte el extremo pelado del cable rojo en la terminal izquierda. Fije el tornillo de apriete.
8. Inserte el extremo del cable negro en la terminal derecha. Fije el tornillo de apriete.
9. Apriete cada tornillo de apriete con el torque apropiado (Vea la tabla abajo).

Tabla 3: Niveles correctos de torque para cable de aluminio o cobre

Calibre	Torque (pulg./lbs.)
6	35
8	25

10. Fije el conducto flexible correctamente en el panel botador de la estufa y en la caja de conexiones. El cableado está ahora terminado.

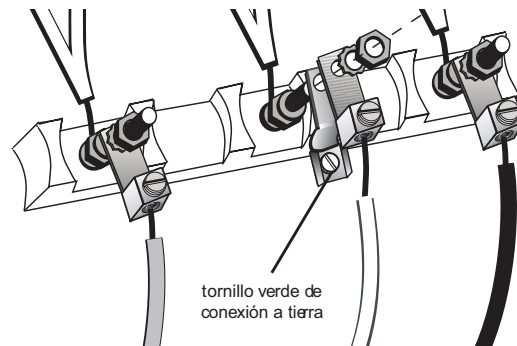


Figure 18: 3 Conexión terminada del conducto flexible de tres hilos

Nota: NO enchufe la estufa en este momento.

6) Fijar el soporte antivolcadura al piso



ADVERTENCIA

RIESGO DE VOLCADURA DE LA ESTUFA

Todas las estufas pueden volcarse y producir lesiones. Para prevenir la volcadura accidental de la estufa, fíjela a la pared, al piso o al gabinete con el dispositivo antivolcadura que se incluye.

- Cuando no se instala el aparato de acuerdo con estas instrucciones, existe el riesgo de una volcadura.

• Cuando se jala la estufa de la pared por motivos de limpieza, servicio u otra razón, asegúrese de volver a embonar correctamente el dispositivo antivolcadura al volver a empujar la estufa contra la pared. En el caso de un uso poco normal (como alguien sentado, parado o recostado sobre una puerta abierta), el hecho de ignorar esta precaución puede causar la volcadura de la estufa y como consecuencia lesiones debido a líquidos calientes derramados o por la misma estufa.

1. Ajuste la altura de la estufa y nivélela girando las patas ajustables en la parte inferior de la estufa, usando una llave de 1-1/4" (31.75).

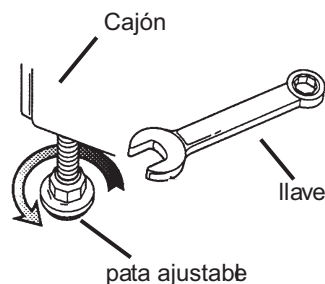


Figure 19: Ajustar los soportes de las patas

2. Tome medidas para localizar la posición del soporte como se indica abajo.

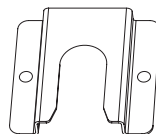


Figure 20: Ubicación del soporte antivolcadura

3. Fije el soporte con 2 tornillos apropiados para la superficie de montaje (i.e., para un piso de madera use tornillos para madera, para un piso de concreto use anclajes y tornillos para concreto).

7) Terminar la instalación

1. Mueva la estufa suficientemente cerca de la apertura para insertarla al receptáculo.
2. Deslice la estufa a su posición, asegurándose que la pata trasera izquierda quede abajo del soporte antivolcadura. La estufa quedará a una distancia de 3/4" (19.05 mm) de la pared trasera cuando se instala correctamente.
3. Incline la estufa cuidadosamente hacia adelante para estar seguro que el soporte antivolcadura está deteniendo la estufa y que evita la volcadura.
4. Prenda la corriente eléctrica. Revise si la estufa funciona bien como se describe en el manual de uso y cuidado.

PRECAUCIÓN: Cuando la pantalla parpadea y emite pitidos, es posible que se invirtió la polaridad del cableado. La polaridad invertida puede dañar la estufa y crear el riesgo de una descarga eléctrica. Desconecte la corriente de inmediato en el cortacircuito y regrese al paso 5 - Conexión eléctrica.

Servicio

Consulte la información de contacto al inicio del manual para contactar a un representante de servicio. Por favor, tenga a la mano la información que se encuentra en la etiqueta de información del producto.

Etiqueta de información

La etiqueta de información se encuentra en el bastidor del aparato cerca del cajón. Abra el cajón para verla.

BOSCH

YOUR LIFE. OUR INSPIRATION.

5551 McFadden Avenue, Huntington Beach, CA 92649 • 800-944-2904 • www.boschappliances.com

9000087166 (No ECO) • 10052 Rev I • 03/06 • © BSH Home Appliances Corporation 2005 • Litho U. S. A.