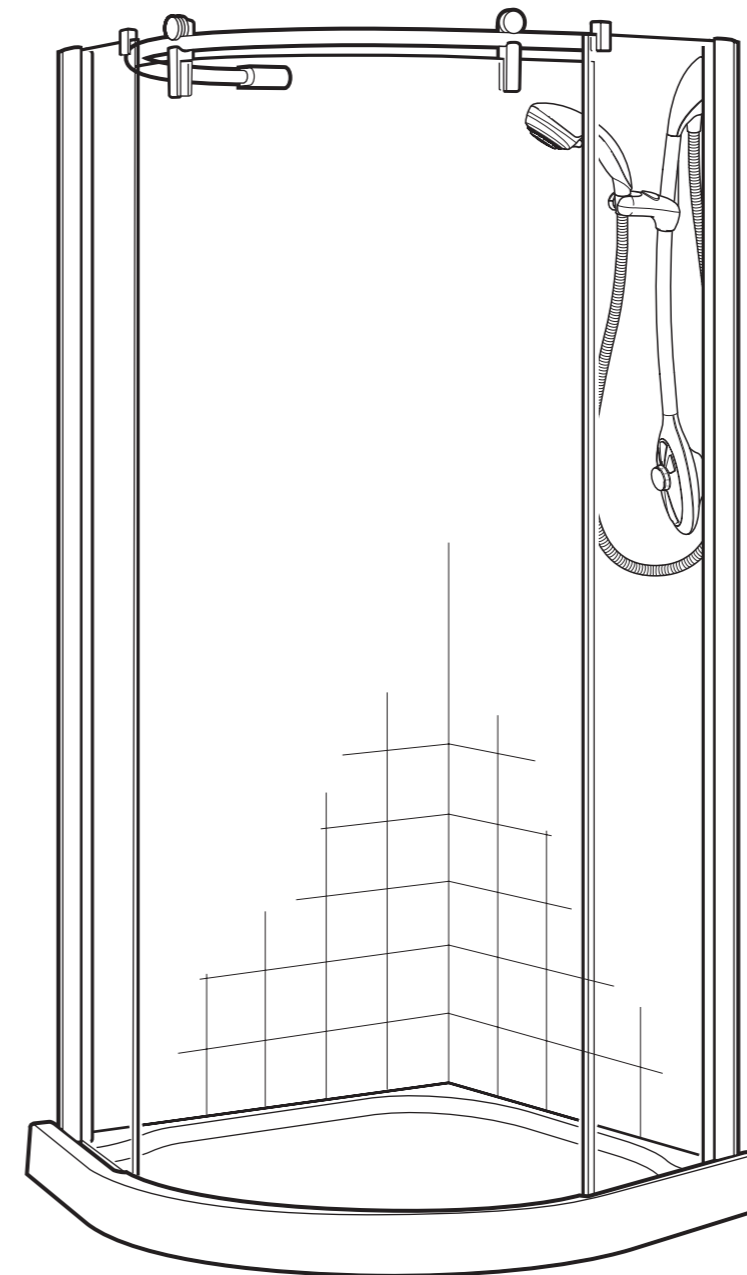




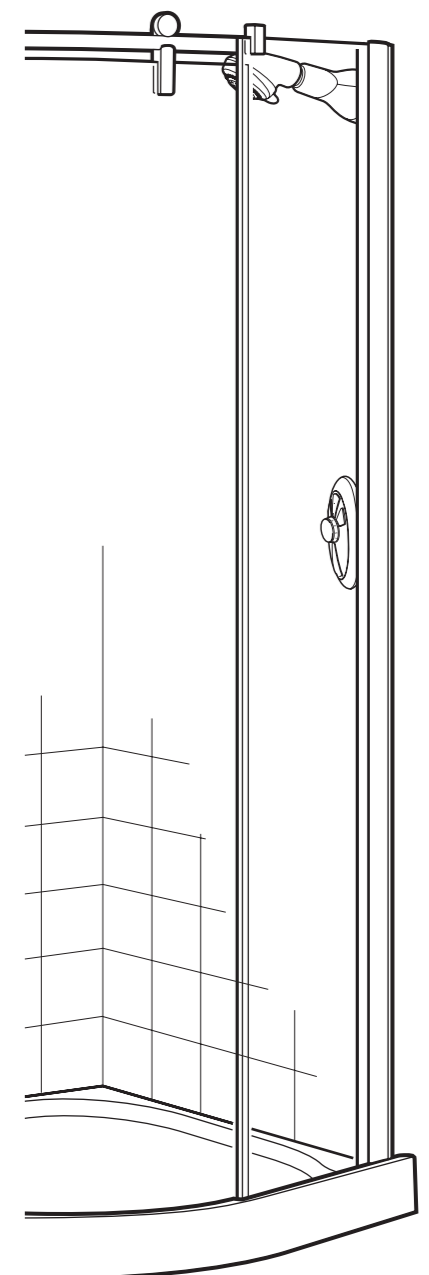
# Indigo Quadrant Enclosure

with integrated  
Mira Magna Shower System  
(646)

Slide Rail



Fixed Head



**Kohler Daryl Limited**  
Alfred Road, Wallasey, Wirral, CH44 7HY England  
Tel 44 (0)151 606 5000 Fax 44 (0)151 638 0303  
[www.daryl-showers.co.uk](http://www.daryl-showers.co.uk)  
E-mail [Daryl@daryl-showers.co.uk](mailto:Daryl@daryl-showers.co.uk)

## Fitting Instructions

### **Kohler Daryl and Kohler Mira**

Daryl Showering have more than 38 years experience of manufacturing and designing shower enclosures of exceptional quality. For over 80 years, Mira Showers have had the same reputation for shower systems.

Your new showering product has been created by these two specialist organisations from within the same leading world-wide bathroom company Kohler. They are both bound by the same values of delivering beauty, quality, innovation, reliability and service.

We take the question of customer service seriously. Consequently, there is one initial point of contact – Daryl Showering Technical Services (0151-606-5000). This team will ensure that the quality of support you require is provided by specialists appropriate to that field; i.e. for matters relating to the shower enclosure, you will be aided by Daryl Showering and for the shower system (including the Digital Mixer), your call will be supported by Mira Showers personnel.

**Your contact for all queries is Daryl Showering Customer Services (0151-606-5000)**

### **Guarantees of quality**

Daryl Showering and Mira Showers guarantee your product against any defect in materials or workmanship for the period shown in the respective Guarantee Registration Documents. The Daryl Showering documentation can be found in the Shower Enclosure box. The Mira Showers documentation can be found in the Integrated Mira Magna Column box.

The Shower Enclosure is subject to the Daryl Showering Lifetime Guarantee and for the Shower System, the Mira Showers 5-year guarantee applies.

Please refer to the Guarantee Registration Documents for full details of the terms and conditions of these guarantees. If you require copies of these terms and conditions or any other details, please contact Daryl Showering Technical Services on 0151-606-5000.

To validate the Guarantees, please return your completed registration document cards.

### **Before using your shower**

Please take time to read and understand the operating and safety instructions detailed in this manual.

### **What to do if something goes wrong**

If, when you first use your shower it does not function correctly, first contact your installer to check that installation and commissioning are satisfactory and in accordance with the instructions in this manual. We are on-hand to offer you or your installer any advice that may be required. Should this not resolve the difficulty, simply contact the Daryl Showering Customer Services department which will provide assistance and if necessary arrange for a service engineer to visit.

If, over time, the performance of your shower declines, consult this manual to see whether simple home maintenance is required. Please call our Technical Services Department to talk the difficulty through, request service under guarantees (if applicable) or take advantage of our after-sales service.

As part of our quality and training programme, calls may be recorded or monitored.

**Daryl Showering Customer Services – Tel: 0151-606-5000**  
**E-mail – [daryl@daryl-showers.co.uk](mailto:daryl@daryl-showers.co.uk)**

# The Daryl Care Programme

*Keeping your enclosure beautiful throughout its lifetime is easy with products from the Daryl care programme*

Using state of the art bespoke machinery combined with the latest technology, all Daryl doors and panels are coated with a glass protector in highly controlled factory conditions. The protector acts as an invisible barrier on the glass to prevent build up of limescale, soap scum, stains and dirt. The factory applied protector will last from months to years depending on use and the hardness of water in your area. It will never crack, peel, discolour or build up. Coated surfaces are kept clean simply by rinsing or wiping with a damp cloth and regular use of Daryl Glass Cleaner.

There are two separate elements to caring for your Daryl shower door, enclosure or bath screen.

- 1 Daryl Glass Cleaner for the regular cleaning of your shower door, enclosure or screen
- 2 Daryl Care Kit comprising of Glass Treatment and Glass Protector suitable for use where glass protector has not already been applied or for topping up factory coated protector

## Daryl Glass Cleaner

For occasional cleaning of glass treated with Daryl Glass Protector or for more regular maintenance of untreated surfaces, we recommend using Daryl Glass Cleaner. The Cleaner cleans and polishes without smearing or streaking and rejuvenates the Glass Protector.

## Daryl Glass Treatment and Daryl Glass Protector

Available in one care kit, the Treatment and Protector are used on new or existing shower installations where Protector has not already been applied and for topping up factory coated glass after a reasonable length of time. The Treatment must always be used on existing shower installations to prepare for the Protector. The Treatment is a cleaning material that is applied to the glass to ensure it is in the cleanest condition possible prior to application of the Protector. If this process is not undertaken, there is the likelihood of locking in dust, dirt and stains under the Protector.

Daryl Protector acts as an invisible barrier on the glass to prevent the build up of lime scale, soap scum, stains and dirt. Applied like a polish, one application will last from months to years depending on use and the hardness of water in your area. It will never crack, peel, discolour or build up. Coated surfaces are kept clean simply by rinsing or wiping with a damp cloth and regular use of Daryl Glass Cleaner.

## Regular cleaning

- Mildew thrives in damp, unventilated areas. It is, therefore, important to always wipe down, with a soft cloth or towel, the glass and metal sections inside the shower every time it is used
- Do not allow water to remain on glass and metal sections for long periods of time
- Every week or two, use Daryl Glass Cleaner to polish the enclosure (including metal sections) ensuring all surfaces are wiped down
- In hard water areas, do not allow lime scale to build up. Stubborn deposits of lime scale can usually be removed by using a 50:50 solution of vinegar and water, which should be rinsed off thoroughly and dried after use
- Regular cleaning is required to remove the small amounts of residue that are not repelled by the Protector

## Everyday Care

Wipe down the glass and metal sections with a soft cloth or towel and warm water after each time the shower is used. Do not allow water to remain on glass and metal sections for long periods, do not allow the build up of lime scale and do not use caustic cleaners or abrasives.

## Daryl showers trays

If you have a Daryl shower tray scuffs and marks on acrylic trays can often be removed by the light use of a mildly abrasive cleaner applied with a damp cloth and polished off.

## Other cleaning materials

Ensure that if you use a non-Daryl cleaning product, it has a pH level between 4 & 8 and is non-abrasive. Prolonged use of cleaners with a pH level outside the specified range can cause damage to metal sections and possibly affect the safe operation of your Daryl Shower. All cleaning material (including Daryl's) must be wiped down after application. Do not use 'spray and leave' cleaning products on the metal surface as these may cause damage to your door or enclosure.



# Indigo Quadrant Enclosure with integrated Mira Magna Shower System

## Contents

Page 3	Introduction	Page 21	Operation
Page 3	Safety Precautions	Page 24	Troubleshooting
Page 4	Components	Page 25	Cleaning
Page 6	Enclosure Installation	Page 26	The Daryl Care Programme
Page 19	Commissioning	Page 27	Customer Service

## Introduction

The following pages aim to provide comprehensive installation instructions, plus advice on how to care and maintain your product.

We recommend that the unit is installed by a qualified Plumber or Engineer.

Please retain this document for future reference.

Note: Due to our desire to always improve our products, Kohler Daryl reserve the right to change specification without prior notice

## Safety Precautions



Wear protective footwear when lifting panels



Wear Safety glasses when drilling

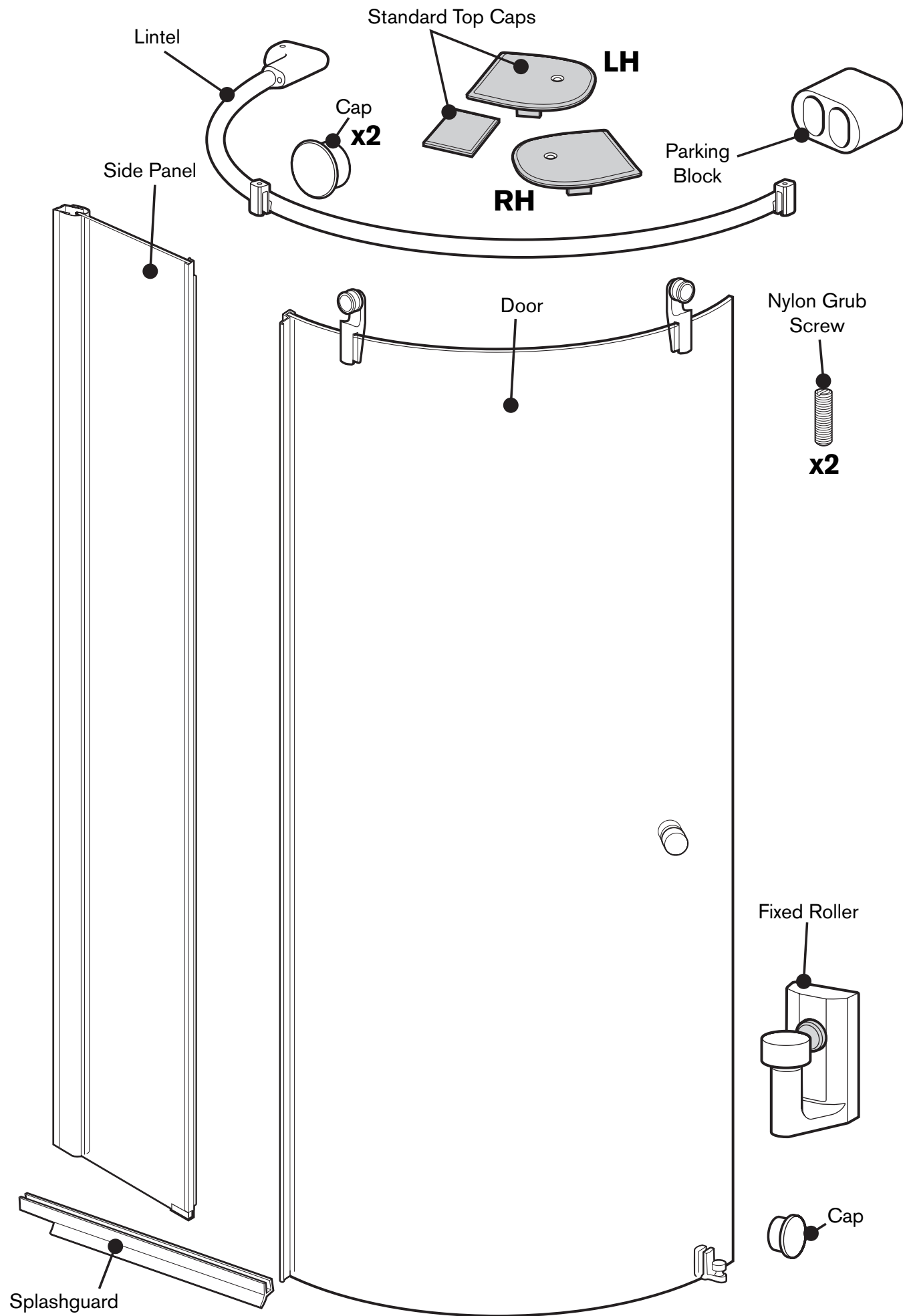
Glass panels should be handled with care and protective packaging along glass edges should be kept in place for as long as possible to prevent damage before installation

People not familiar with the fitting of Daryl Products may require the assistance from another person at certain stages of the procedure. We have indicated these points in the process with the Caution Symbol.



**Caution**

## COMPONENTS

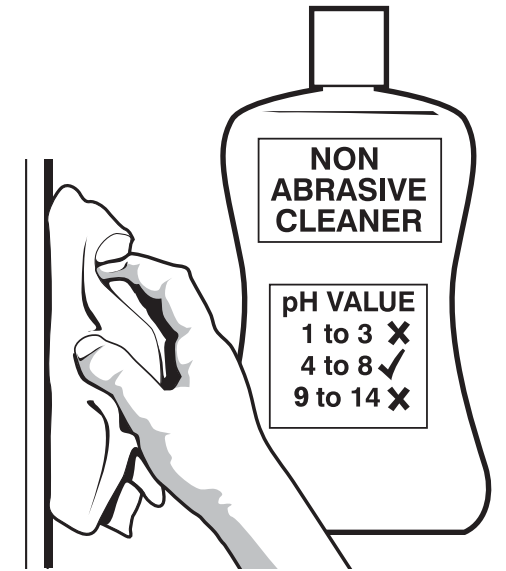


## CLEANING

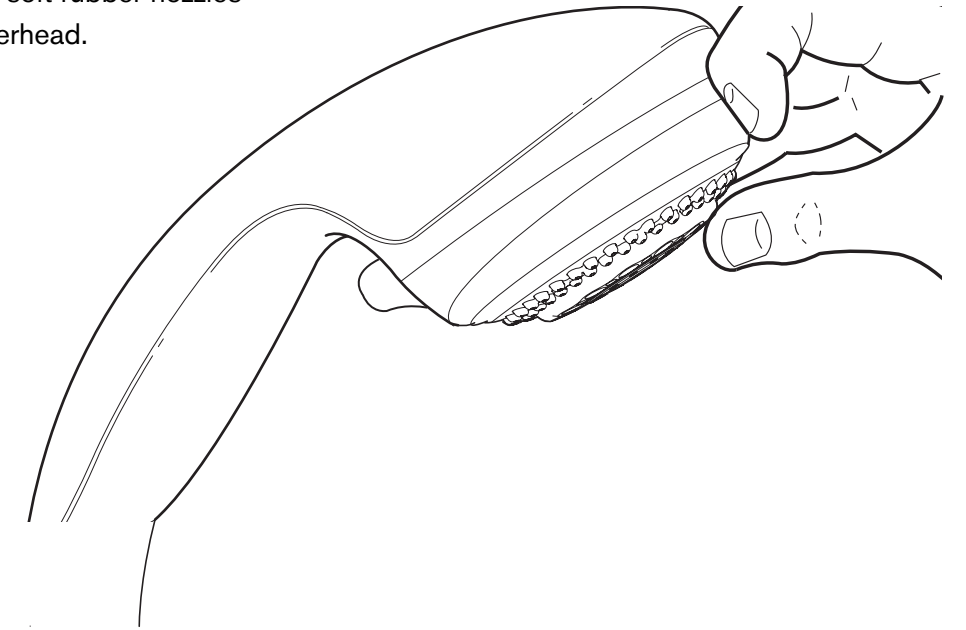
The unit should be cleaned regularly.

Use a non abrasive cleaner (ideally with a pH value of 4 to 8) applied with a soft cloth.

***Under no circumstances should scourers or powerful detergents be used as these can damage the metallic surface of the frame and also tarnish the glass coating.***



To avoid limescale, use your thumb or a soft cloth to wipe any limescale from the soft rubber nozzles and the front face of the showerhead.



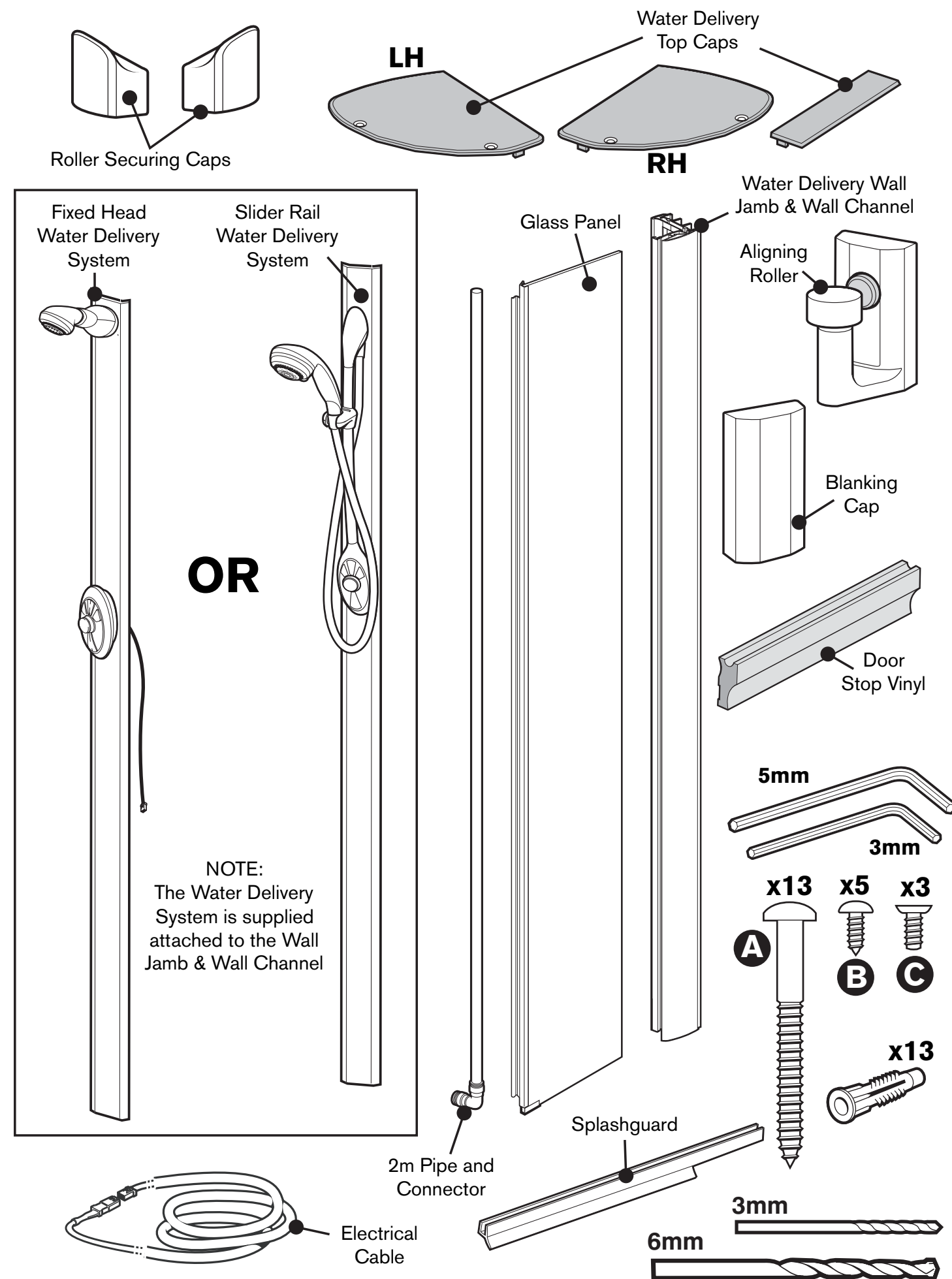
# TROUBLESHOOTING

The information below gives details on what you can do as a user should you encounter difficulties whilst operating the shower.

If there is a problem with the shower control some of the push buttons will flash very fast.

Malfunction	Cause	Remedy
Push buttons are flashing on the shower control and / or the shower will not operate	<p>Water supply isolated</p> <p>Damaged or broken cable connection</p> <p>Electrical supply isolated or fuse blown</p> <p>Digital Mixer Valve breakdown</p>	<p>Check water supply</p> <p>Check cable connections</p> <p>Check electrical supply</p> <p>or fuse blown</p> <p>Isolate product and turn back on after 30 seconds</p> <p>If the problem still persists note the sequence of the flashing push buttons and contact Customer Services</p>
No flow or low flow rate from the Shower Fittings	<p>Spray plate assembly blocked</p> <p>Hose blocked or twisted</p>	<p>Refer to Cleaning</p> <p>Clear blockage or release twist in hose</p>
Drip from spray plate assembly on handset	<p>A small amount of water may be retained in the shower fitting after the shower control has been turned off. This may drain over a few minutes</p> <p>Digital Mixer Valve malfunction</p>	<p>This is quite normal. Changing the angle of the shower fitting may vary the draining time</p> <p>Solenoid fault. May require cleaning or replacement. Contact Customer Services</p>
Incorrect shower temperature	<p>Maximum temperature incorrectly set</p> <p>Digital Mixer incorrectly fitted</p>	<p>Refer to Commissioning, Maximum temperature setting</p> <p>Make sure that the hot and cold water supplies are connected correctly</p>

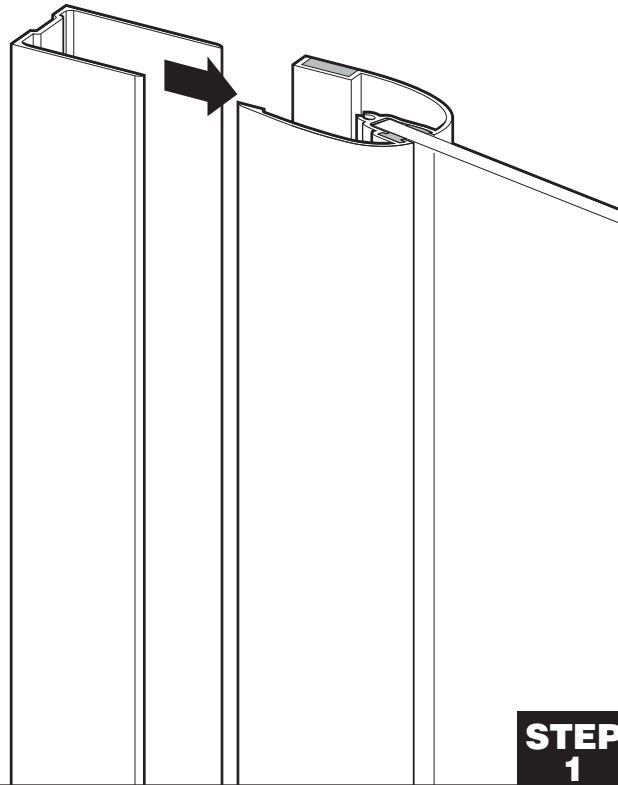
# COMPONENTS





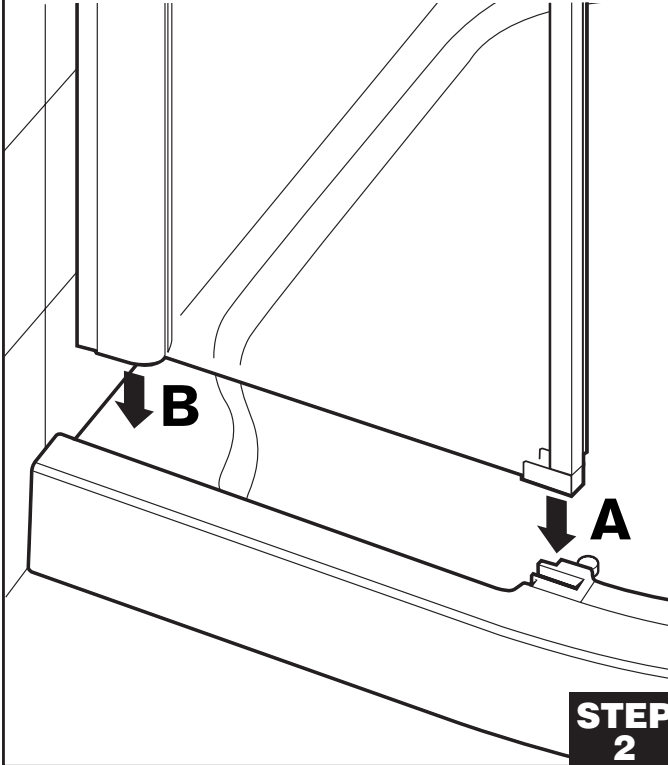
# ENCLOSURE INSTALLATION

**Non Water Delivery Side only**  
Loosely fit wall channel into glass panel jamb



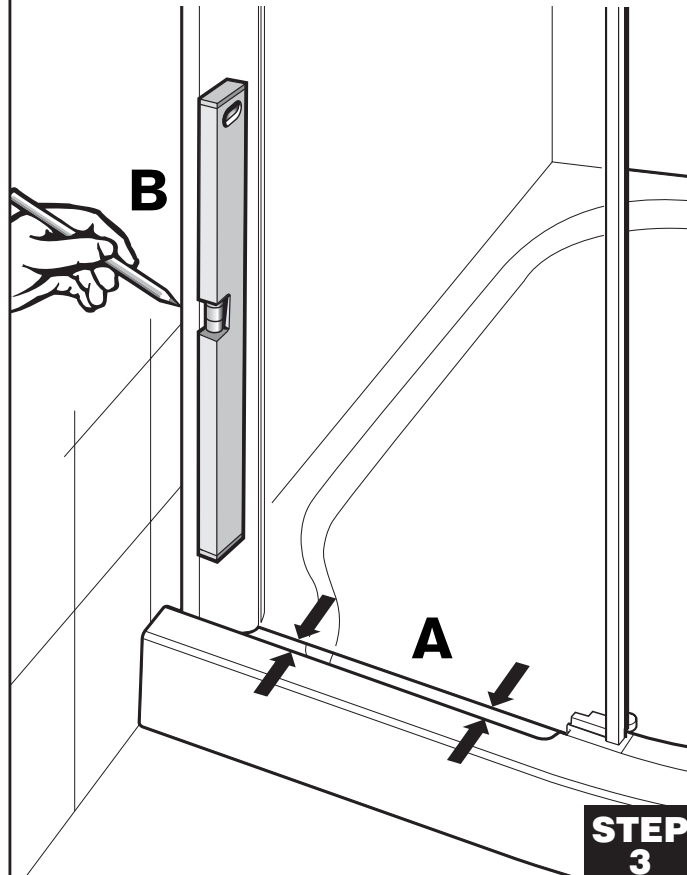
**STEP 1**

Carefully lift the assembly onto the tray. The end of the glass panel fits into slot 'A' on the tray. The wall channel end sits on the flat section of the tray 'B'



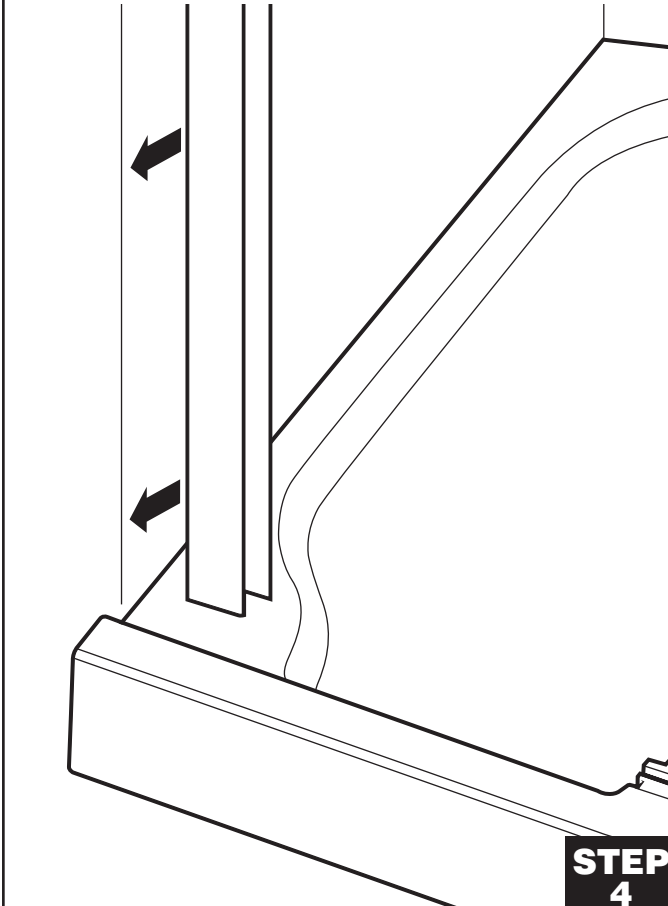
**STEP 2**

Adjust wall jamb until glass is parallel to the edge of the tray 'A'. When jamb is vertical mark edge of wall channel on the wall 'B'.

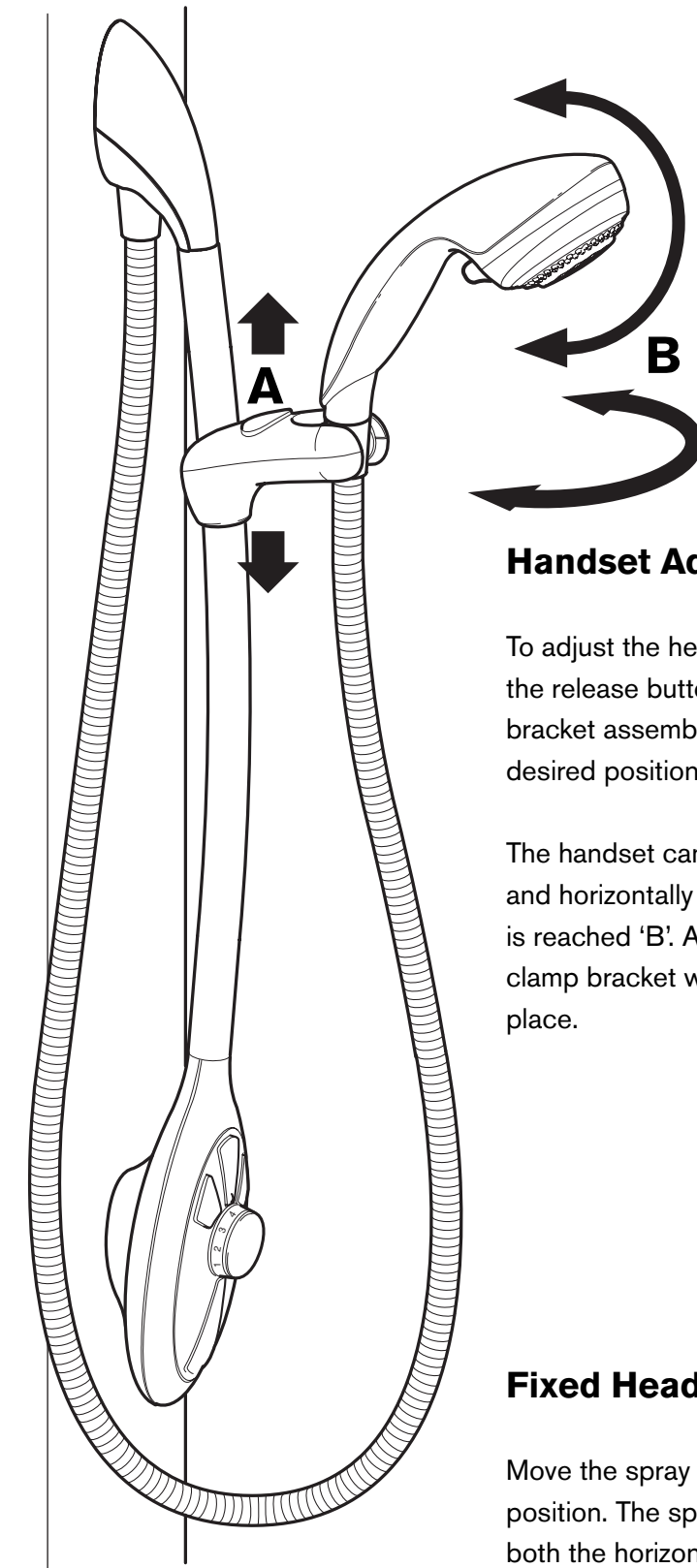


**STEP 3**

Remove wall channel from jamb and place against mark on wall



**STEP 4**



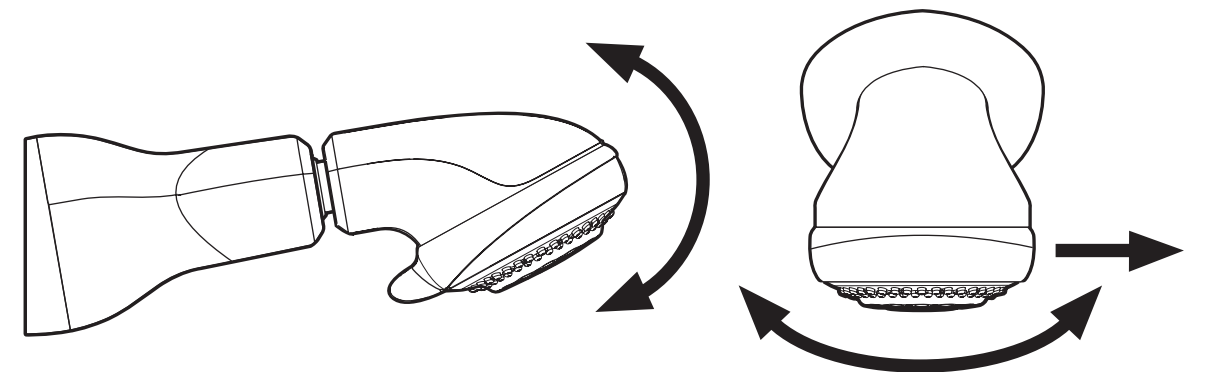
## Handset Adjustment

To adjust the height of the handset press the release button 'A' and slide the clamp bracket assembly up or down to the desired position.

The handset can be moved both vertically and horizontally until the desired position is reached 'B'. A friction mechanism in the clamp bracket will hold the handset in place.

## Fixed Head Adjustment

Move the spray head to the required position. The spray head is adjustable in both the horizontal and vertical directions.

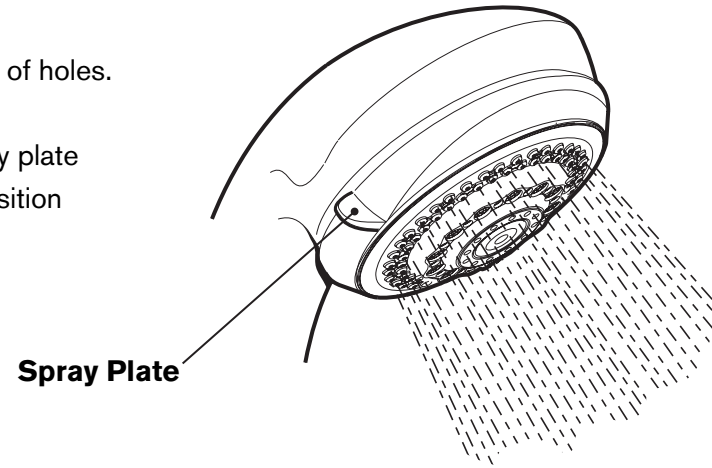


## Spray Settings

The handset has three different spray actions: **Start**, **Soothe** and **Massage** and an **Eco** setting. To adjust the spray setting turn the spray plate as follows:

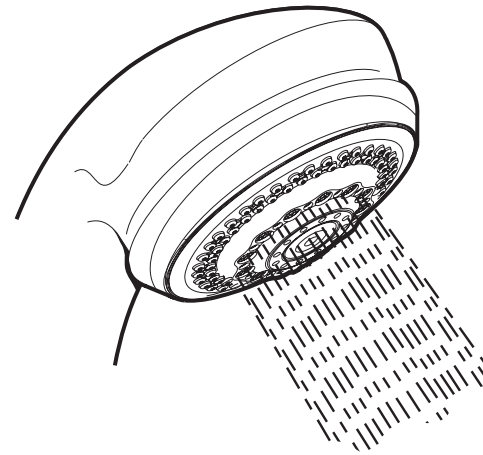
### 1. Start - Water flows from the outer set of holes.

To select the Start setting, turn the spray plate anticlockwise from the full clockwise position until it clicks once.



### 2. Soothe - Water flows from the middle set of holes.

To select the Soothe setting, turn the spray plate anticlockwise from the full clockwise position until it clicks twice.



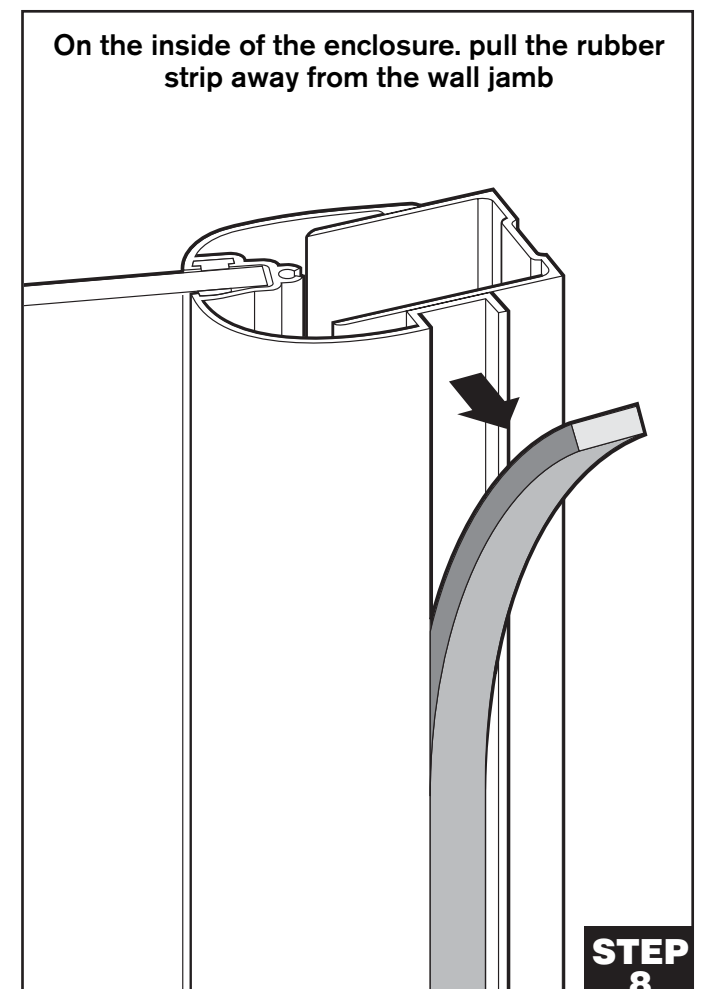
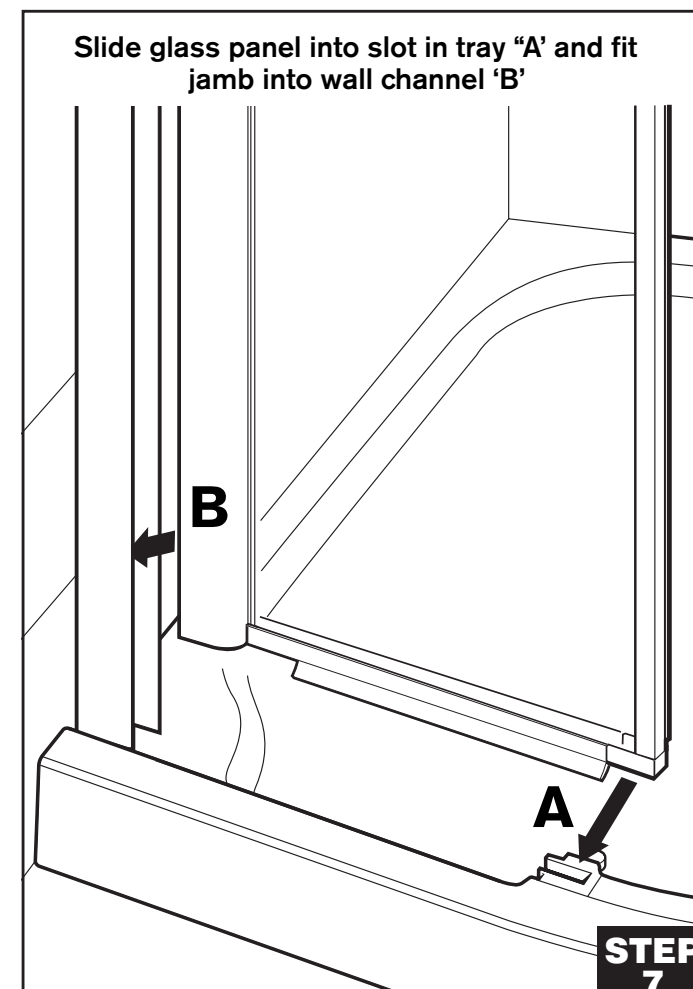
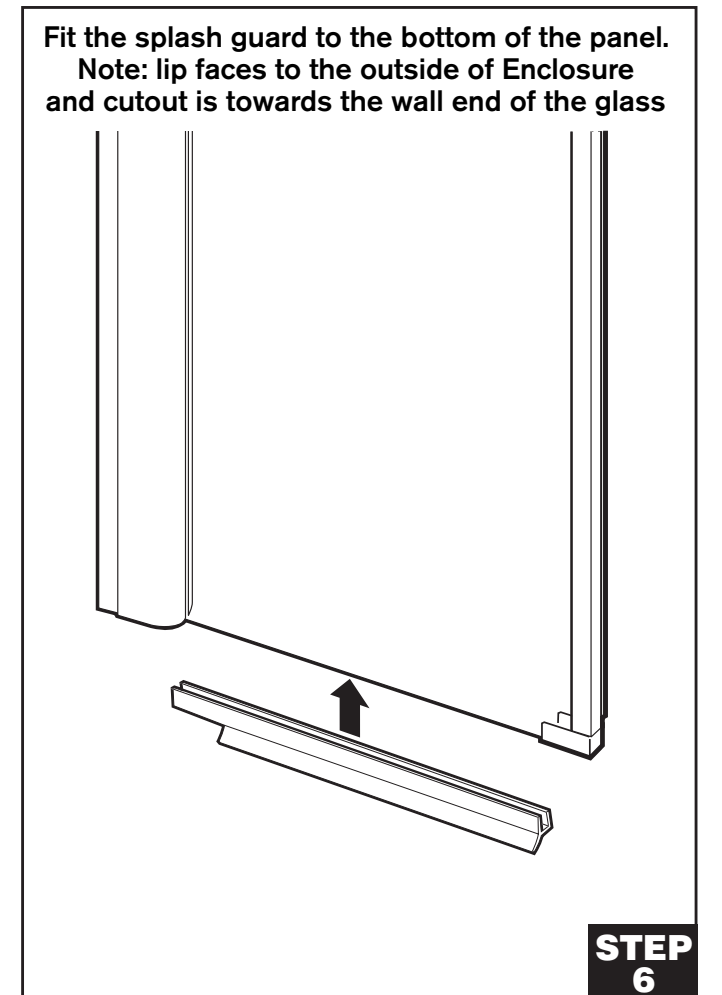
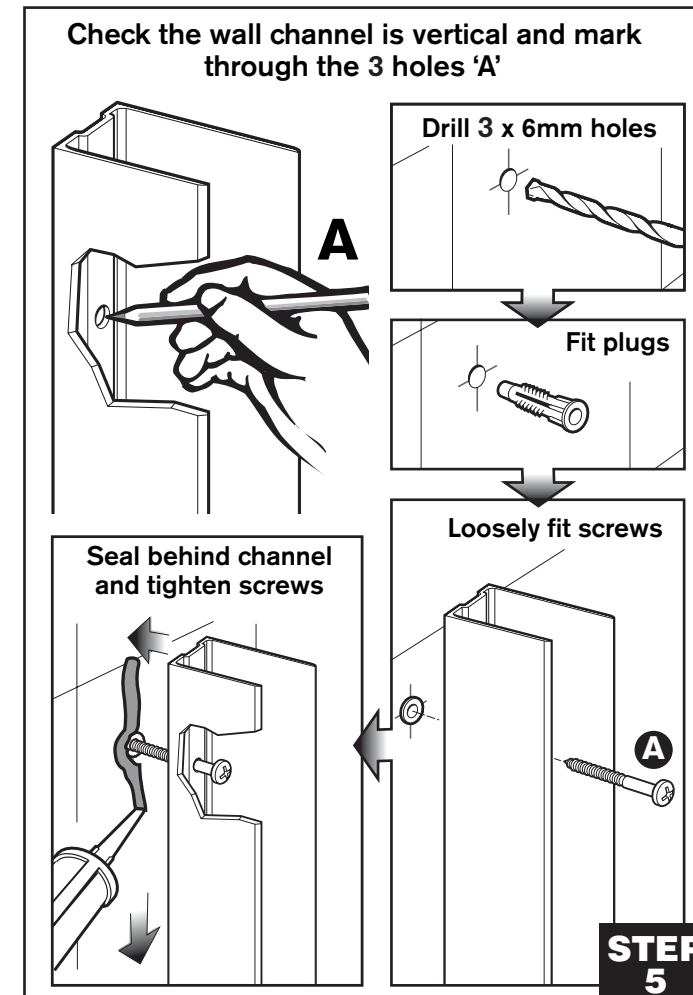
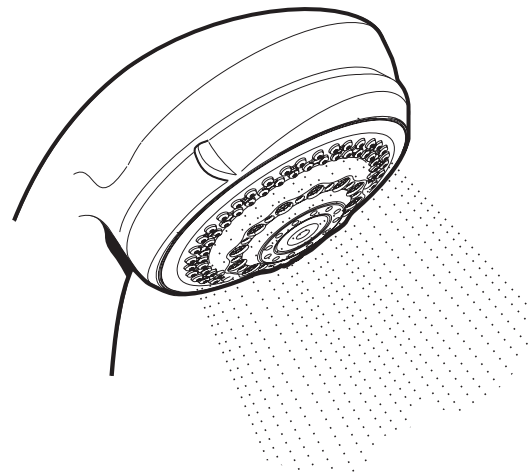
### 3. Massage - Water flows from the inner set of holes.

To select the Massage setting, turn the spray plate anticlockwise from the full clockwise position until it clicks three times.

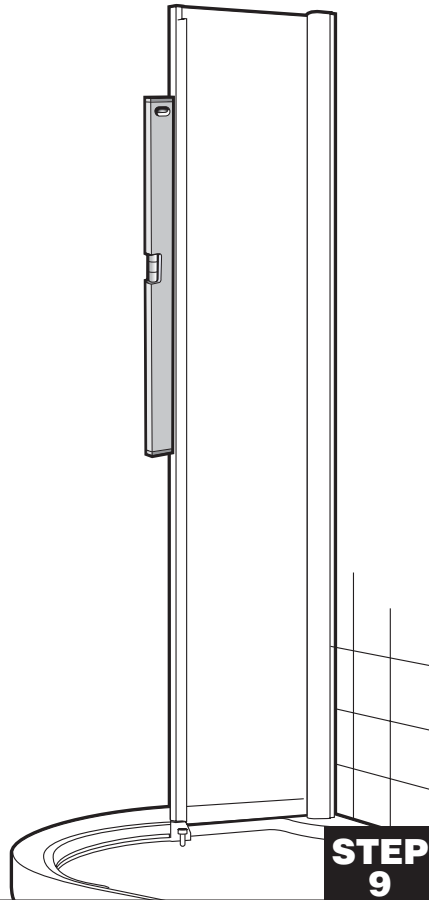


### 4. Eco - Water flows from the outer set of holes at a reduced flow rate.

To select the Economy setting, turn the spray plate fully clockwise.

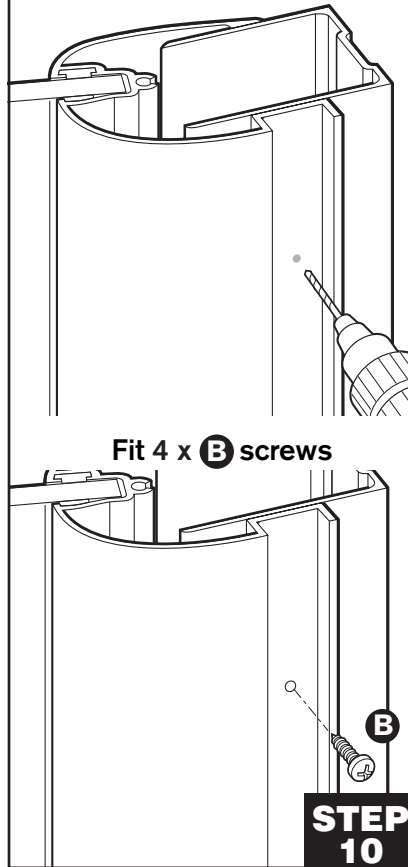


Ensure glass panel is vertical



**STEP 9**

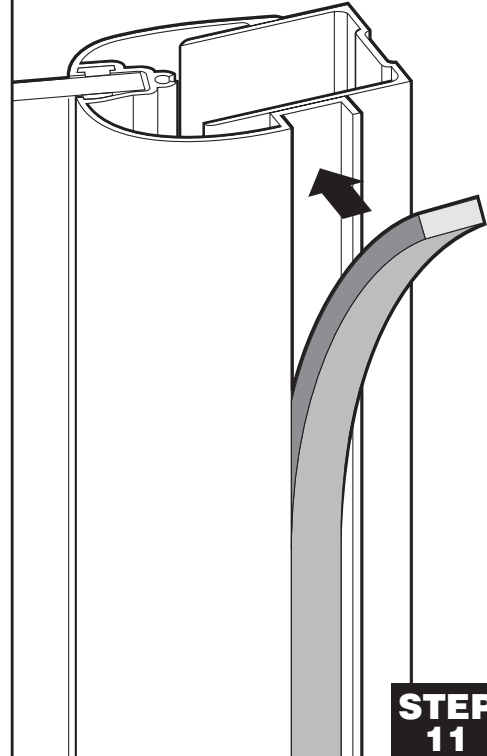
Drill 4 x 3mm holes through jamb into wall channel



**STEP 10**

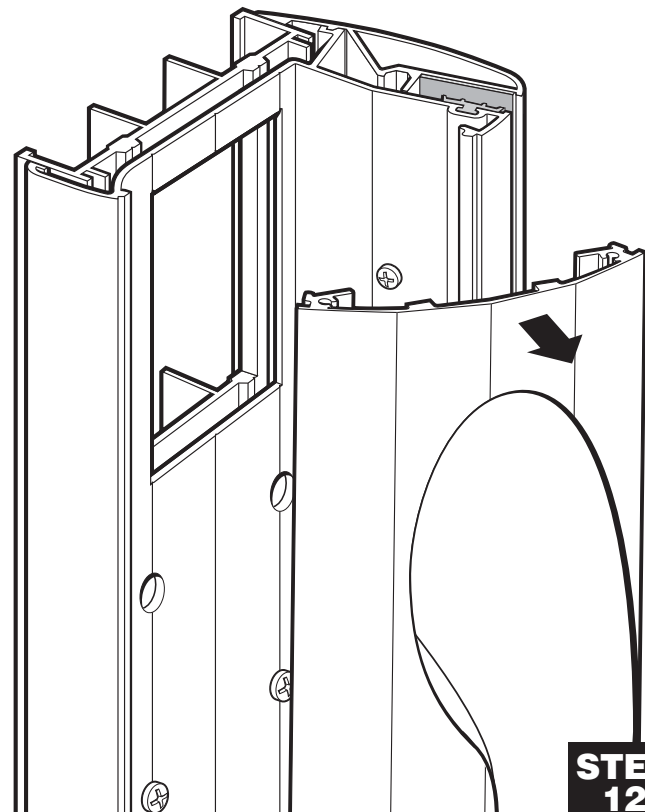
Check glass is vertical. If not remove screws, re-drill and re-fit as required.

Re-fit rubber strip over screws



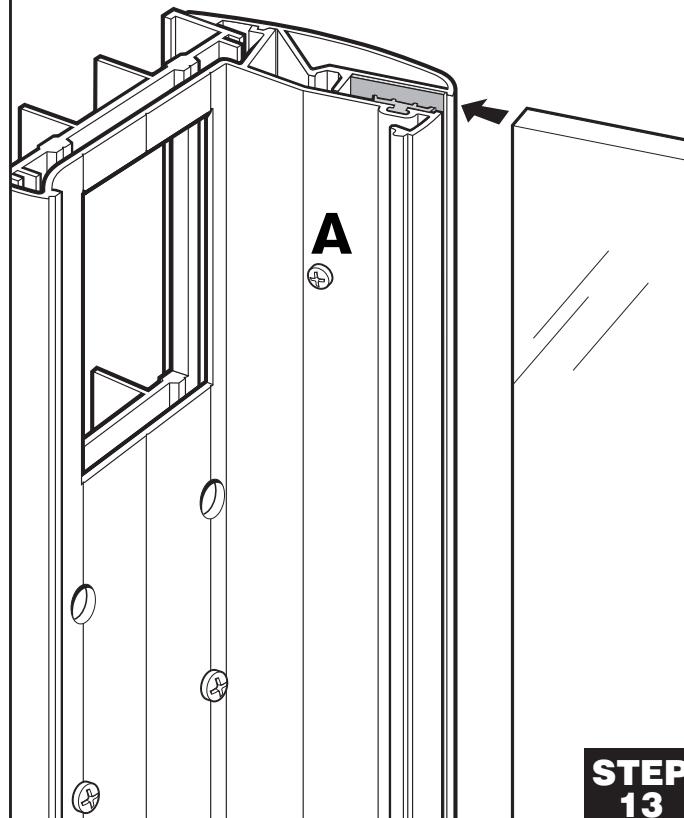
**STEP 11**

Carefully remove the Water Delivery System from the Water Delivery Wall Jamb.



**STEP 12**

Slacken screws 'A'. Push the glass panel into the wall jamb. The glass should be 2mm lower than the top of the wall jamb. Tighten screws 'A' when the glass is in the correct position



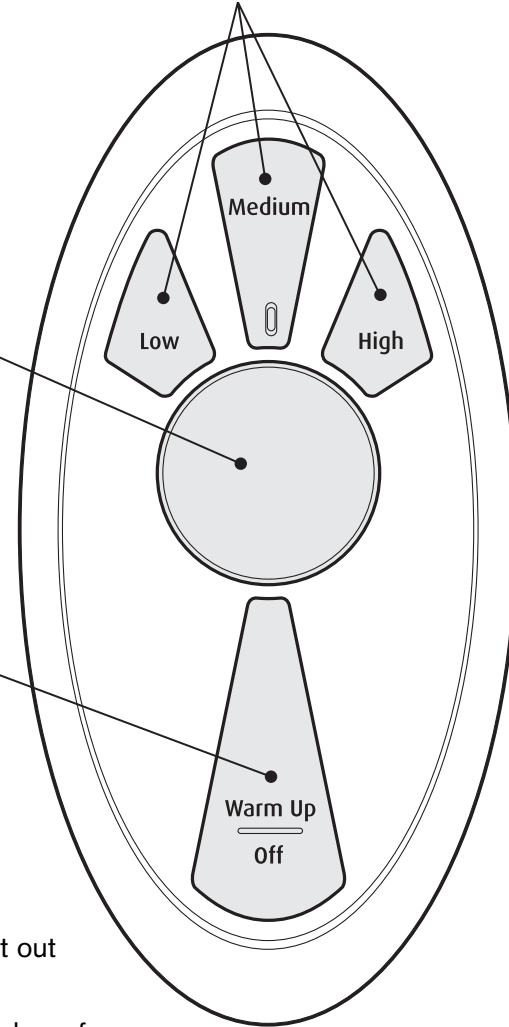
**STEP 13**

## OPERATION

Low, Medium or High Flow Button - Buttons glow **BLUE** when pressed

Temperature Control Knob

Warm Up/Off Button - glows **BLUE** when powered



### Warm Up Function (Optional)

1. Press the **Warm Up** push-button.
2. The unit delays turning on to allow you to get out of the shower.
3. The **Warm Up** push-button flashes for a number of seconds until water comes out of the handset at the desired temperature.
4. When the water is at the desired temperature the unit turns off waiting for you to shower.

### To Operate the Shower

1. Press the **Low, Medium or High** flow push-button.
2. Water will come out of the handset at the desired temperature.
3. To alter the showering temperature, turn the temperature control knob. Whilst the showering temperature stabilises, the selected flow push-button will flash.
4. Press the **Off** push-button at the end of your shower.

### Caution!

Anyone who may have difficulty understanding or operating the controls of any shower should be attended whilst showering. Particular consideration should be given to:

- the young
- the elderly
- the infirm
- the disabled
- anyone who suffers from a medical condition that can result in temporary incapacity (e.g. epilepsy or blackouts).
- anyone inexperienced in the correct operation of the controls.



The lock mode may be activated when the unit is **OFF** in which case the unit cannot be switched **ON** unless the mode is cancelled as above.

Removing power from the unit also cancels the mode

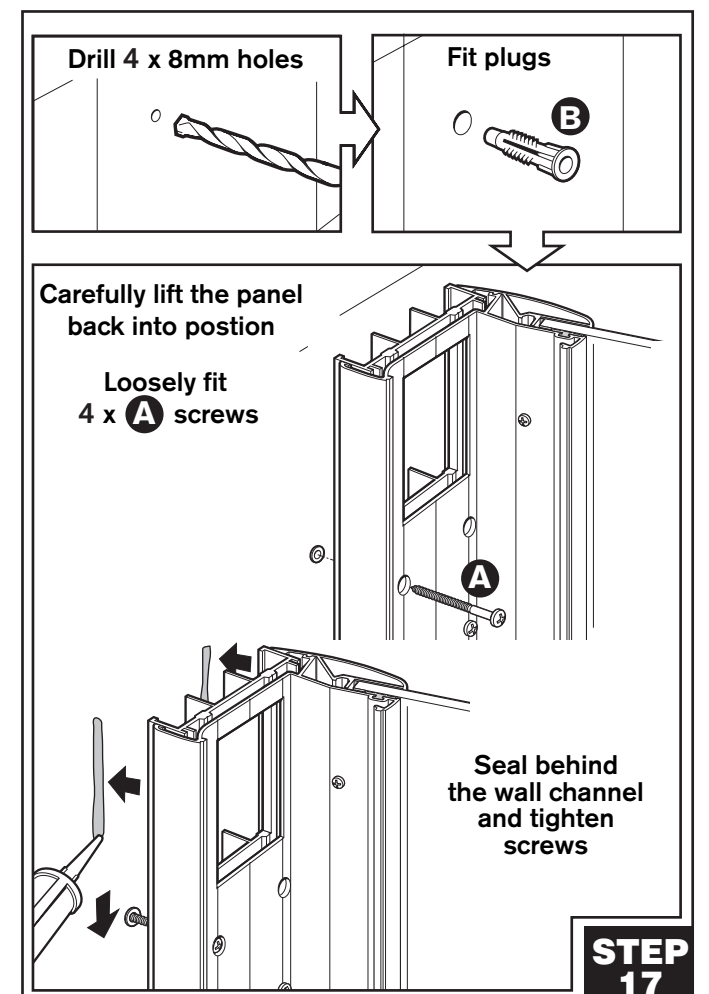
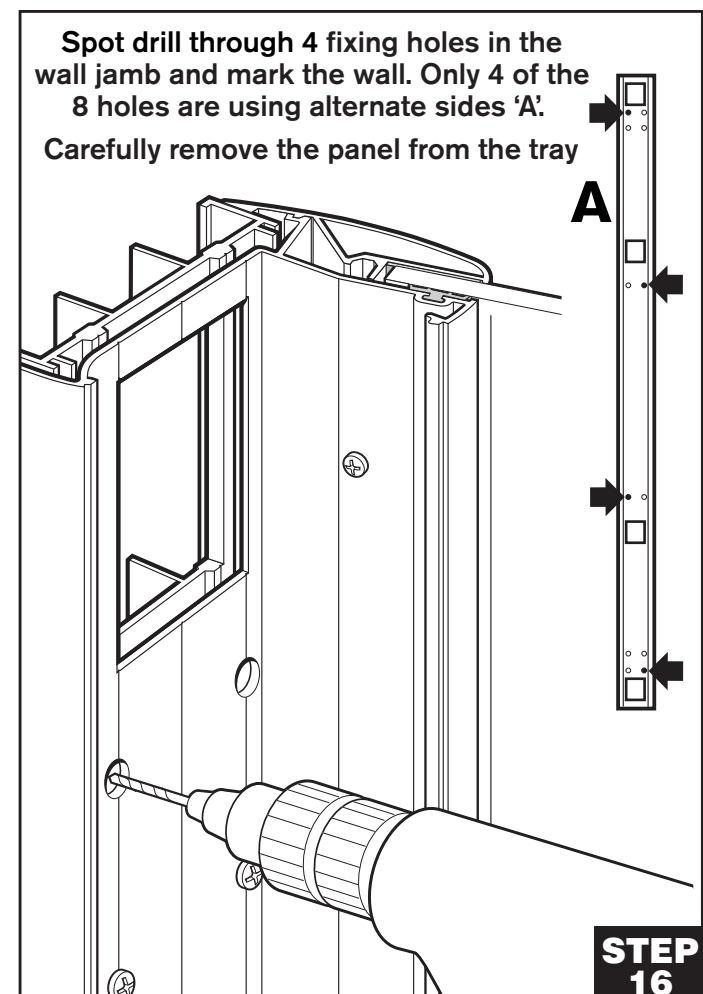
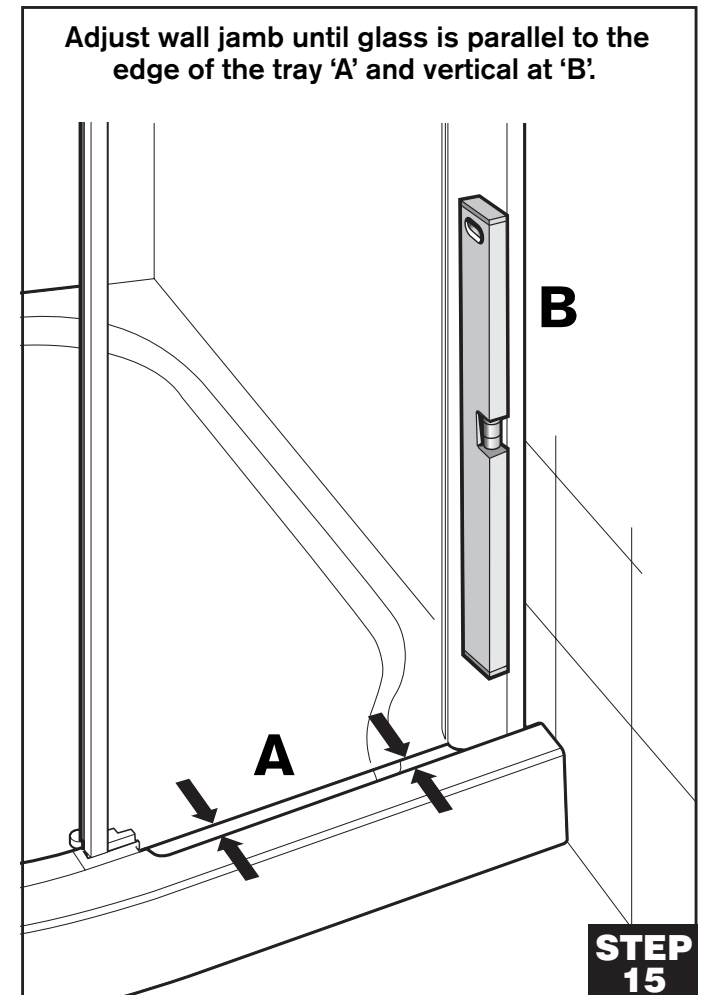
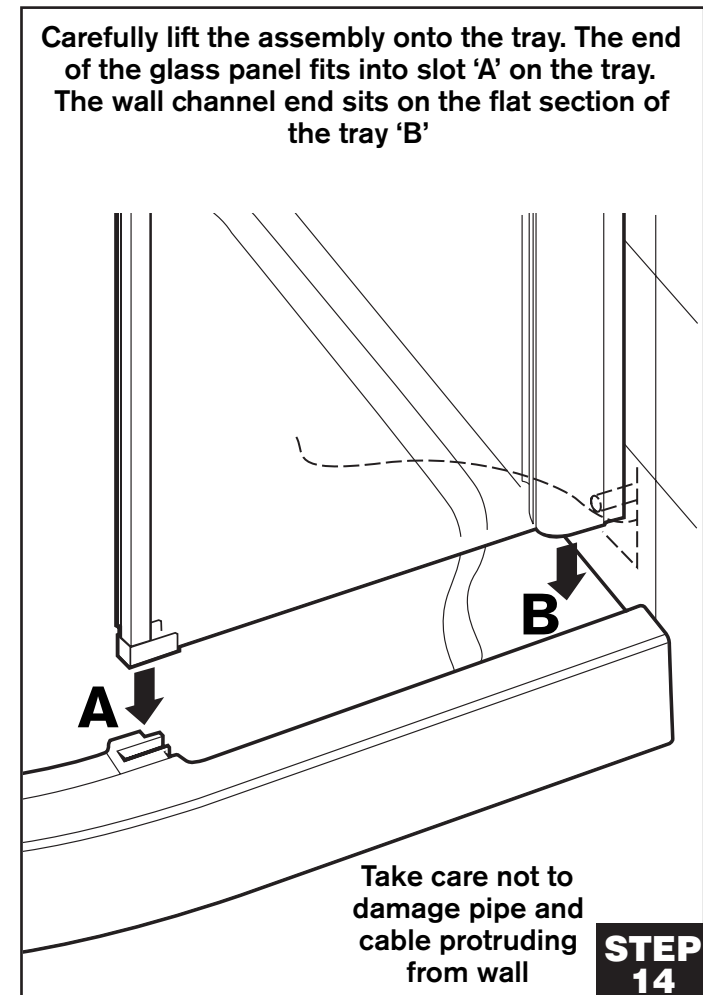
#### 4. Timeout

**Note!** Timeout allows you to run the shower for a set period of time before it automatically shuts off. This can only be set when the unit has not been used for a period of 10 minutes.

**4.1. Timeout Selection** - Set the temperature control knob to the desired position, as per the table below.

Temperature Control Knob Position	Timeout (Minutes)
1	30
2	30
3	3
4	4
5	5
6	6
7	7
8	8
9	9

**4.2. Enabling** - Press and momentarily hold the Warm Up and Low keys at the same time. The two keys will flash twice and beep three times to confirm the selection is successful.



# COMMISSIONING

## 1. General

- 1.1. Turn on the water supply to the Digital Mixer.
- 1.2. Check for leaks over the complete system.
- 1.3. Turn on the electrical supply to the Digital Mixer.

For the Pumped Version with the Slider Rail Shower System, pump priming can be helped by removing the handset and lowering the end of the hose into the shower tray.

## 2. Set the Maximum Temperature

**Note!** The maximum temperature of the unit can only be set when the unit has not been used for a period of 10 minutes.

**2.1. Temperature Selection** - Set the temperature control knob to the desired position, as per the table below.

Temperature Control Knob Position	Temperature Selection °C
1	Factory Set 45
2	39
3	40
4	42
5	43
6	44
7	45
7.5	46
8	47
9	48

**2.2. Enabling** - Press and momentarily hold the Warm Up and High keys at the same time. Release the push-button and reselect within 2 seconds. The two keys will flash twice and beep three times to confirm the selection is successful.

## 3. Lock Mode

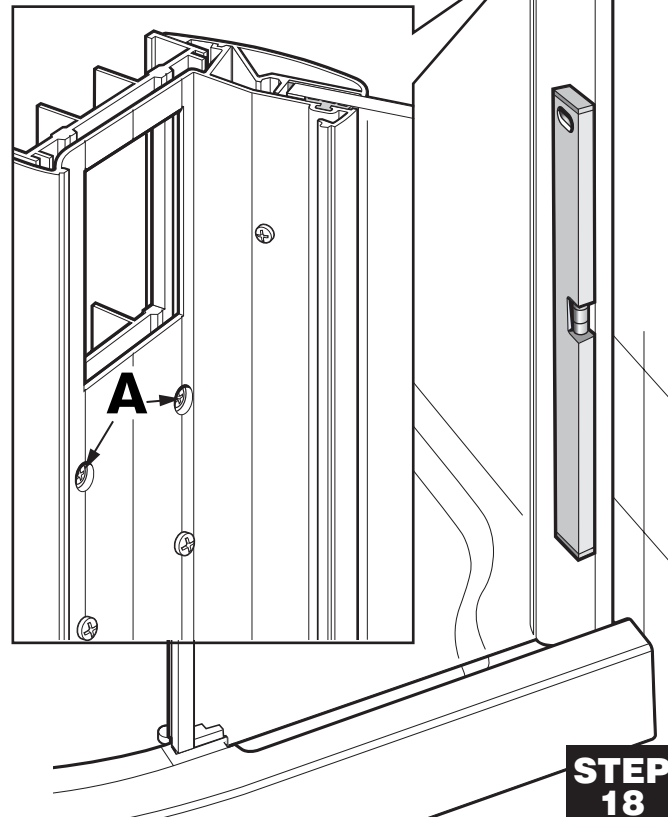
**Note!** Allows you to lock the unit during operation.

**3.1. Selection** - Press and momentarily hold the **Warm Up** and **Medium** keys at the same time. The two keys will flash twice and beep three times to confirm the selection is successful.

**3.2. Operation** - This mode locks out all the keys except the Warm Up/Off key. It also locks the temperature control knob. Once selected it is only possible to turn the unit **OFF**.

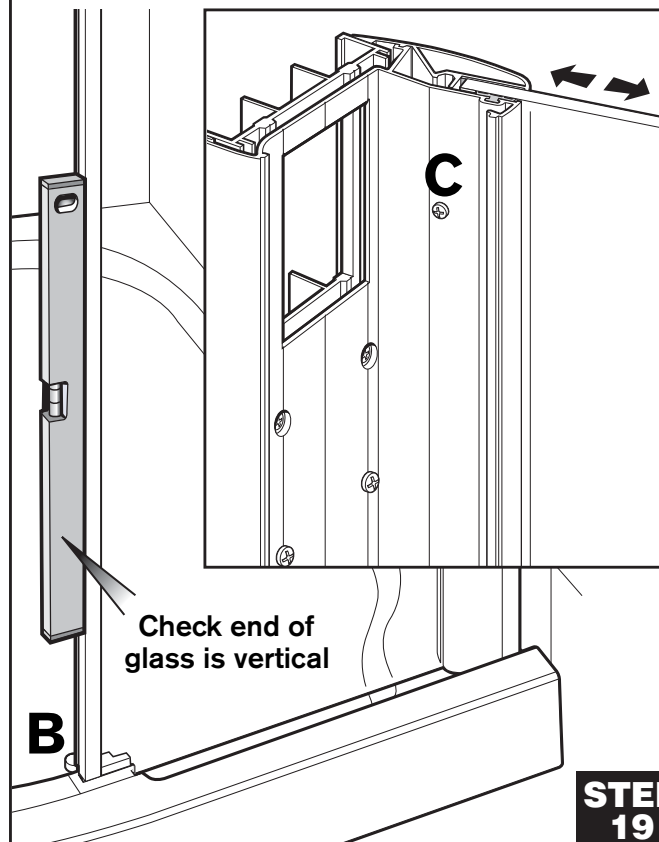
Selecting **Warm Up/Off** and Medium at the same time again, cancels the lock mode.

Check the wall channel and jamb is vertical. Loosen screws 'A' to adjust from side to side. Re-tighten screws



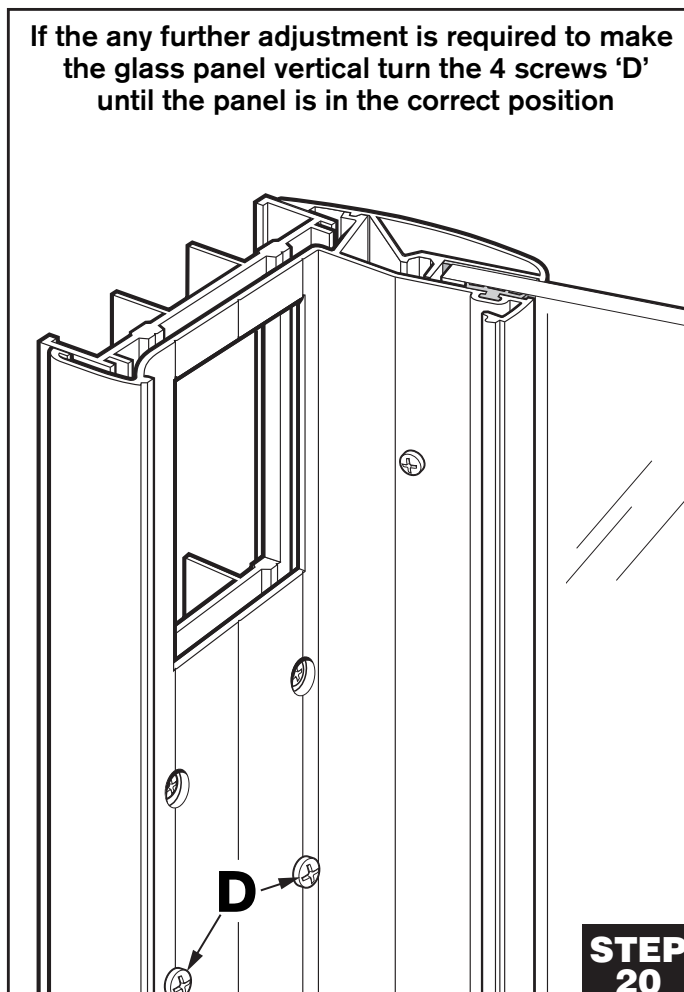
**STEP 18**

The edge of the glass should fit against the end of the slot in the tray 'B'. To adjust the glass loosen the 4 screws 'C' and move the panel until it is the correct position. Re-tighten screws



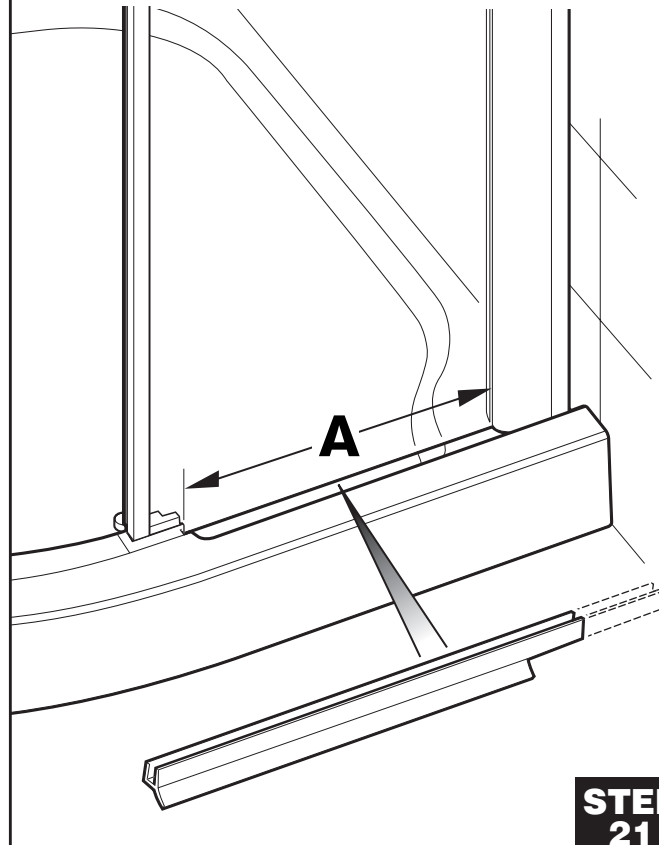
**STEP 19**

If the any further adjustment is required to make the glass panel vertical turn the 4 screws 'D' until the panel is in the correct position

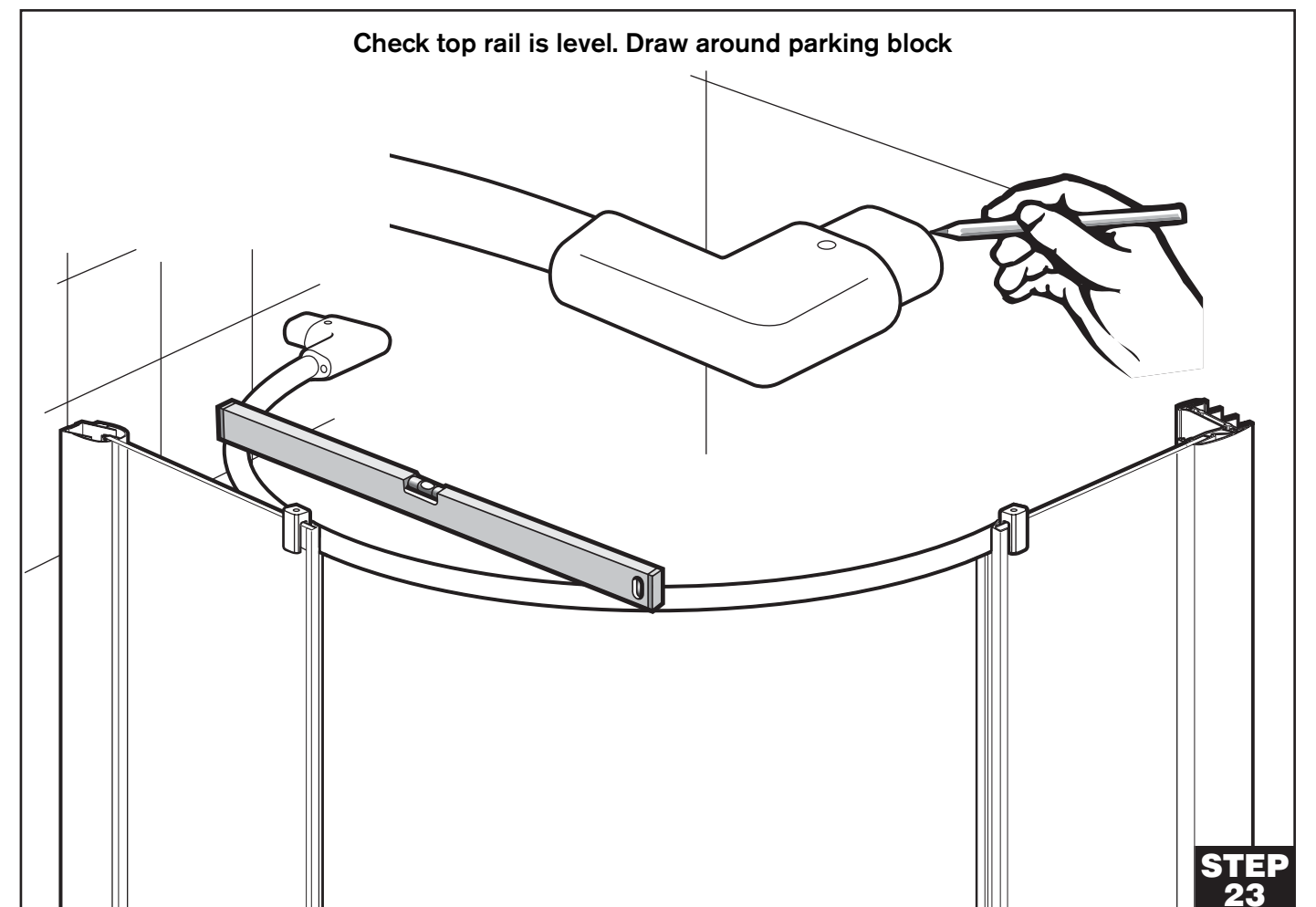
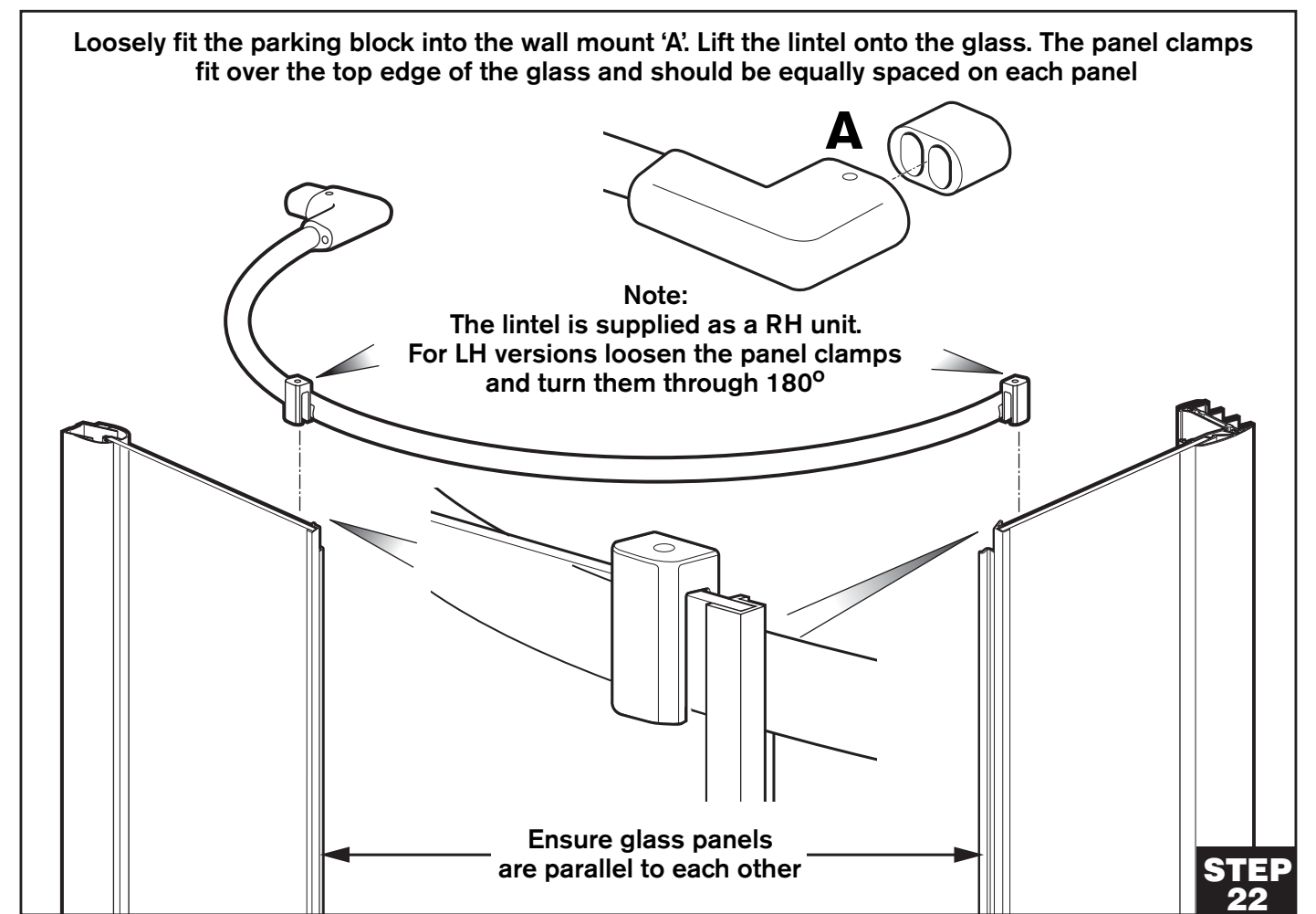
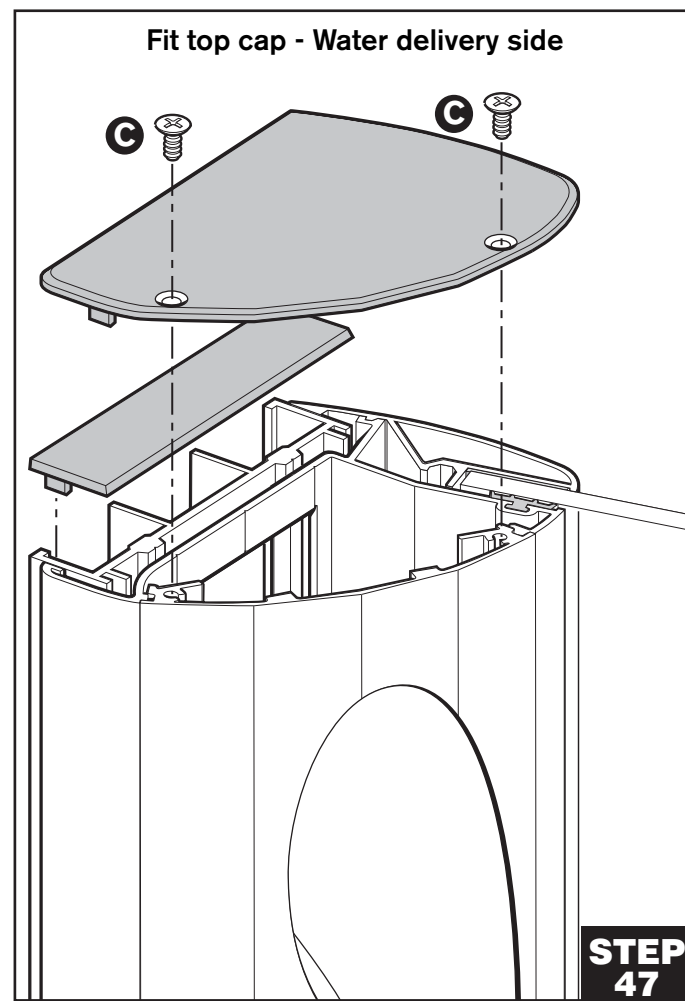
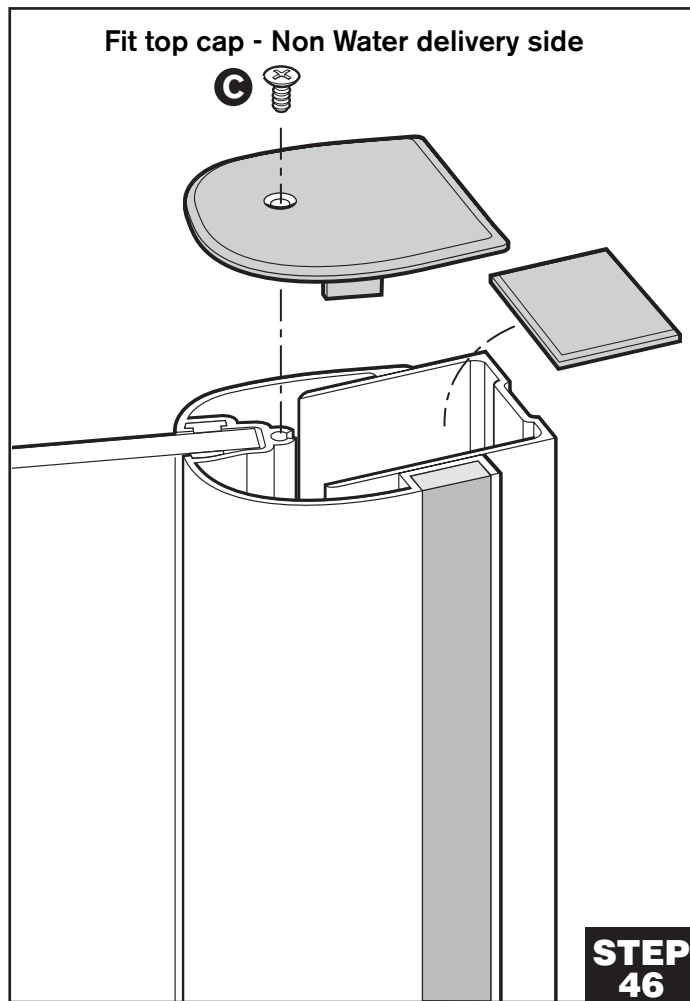


**STEP 20**

Measure the distance of the glass between the wall jamb and the tray 'A'. Cut the splashguard to size cutting at the wall jamb end. Fit the splashguard to the bottom of the glass



**STEP 21**



Remove the lintel from glass and remove the parking block

1. Match parking block to mark on wall
2. Spot drill hole positions
3. Drill holes with 6mm drill
4. Plug holes
5. Screw parking block to wall
6. Re-fit lintel to glass and push wall mount on to the parking block
7. Secure the lintel to parking block by tightening allen screw 'A'

**STEP 24**

**Fixed Head Water Delivery Only**

Carefully lift the Water Delivery System column and place the bottom into the jamb assembly

Be very careful not to scratch or damage the tray

**STEP 42**

Support the weight of the column. Plug the electrical cable into the connector on the cable from the Water Delivery System

**Caution**

**STEP 43**

Check the lintel is level. If adjustment is required turn screw 'A' on the panel clamps to lift or lower the rail.

Note: If the lintel cannot be made level by adjusting the clamps remove the grub screws and fit the longer ones supplied in the parts pack.

When the lintel is level tighten screw 'B' on each panel clamp until it grips the glass. **IMPORTANT - DO NOT OVER TIGHTEN**

Fit caps to lintel 'C'

**STEP 25**

Support the weight of the column. Connect the water pipe to the connector from at the top of the column.

**Caution**

**STEP 44**

Push top of column into jamb assembly until it locks in place

**STEP 45**



Fit the Suppression Ferrite close to the Water Delivery connector

**Note:**  
The Suppression Ferrite is packed with the Digital Mixer

Place the cable in the suppression ferrite. Wrap the cable around the cover and through the ferrite again and then close the cover until it snaps shut

**STEP 38**

**Slider Rail Water Delivery Only**  
(See Step 42 for the Fixed Head Water Delivery)

Carefully lift the Water Delivery System column and place the bottom into the jamb assembly

Be very careful not to scratch or damage the tray

**STEP 39**

Fit the fixed roller to the tray on the same side as lintel wall fixing.

**Note:** The seal 'A' on the glass panel will need to be pulled away, to allow the roller to be fitted, and re-fitted afterwards.

Push the roller onto the slot in the tray until it locks in place ensuring the plastic glass guide is retained inside the roller body

**STEP 26**

Fit the blanking cover on the other side of the tray.

**Note:** The seal 'A' on the glass panel will need to be pulled away, to allow the cover to be fitted, and re-fitted afterwards.

**STEP 27**

Support the weight of the column. Connect the water pipe to the connector from at the top of the column.

Plug the electrical cable into the connector from the Water Delivery System at the top of the column.

**Caution**

**STEP 40**

Push top of column into jamb assembly until it locks in place

**PROCEED TO STEP 47**

**STEP 41**

Push the door stop vinyl into the track and against the fixed roller

**STEP 28**

Carefully lift door into the enclosure

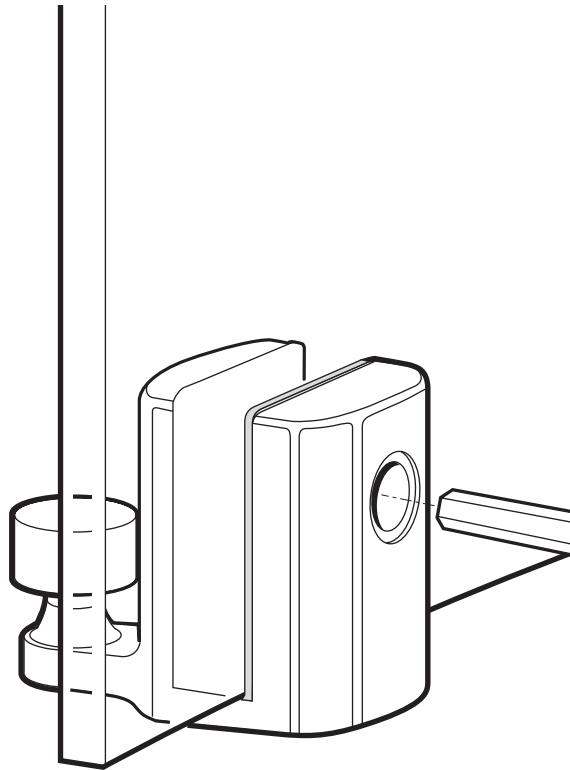
**Important:** Requires a minimum of 2 people

**Caution**

**STEP 29**

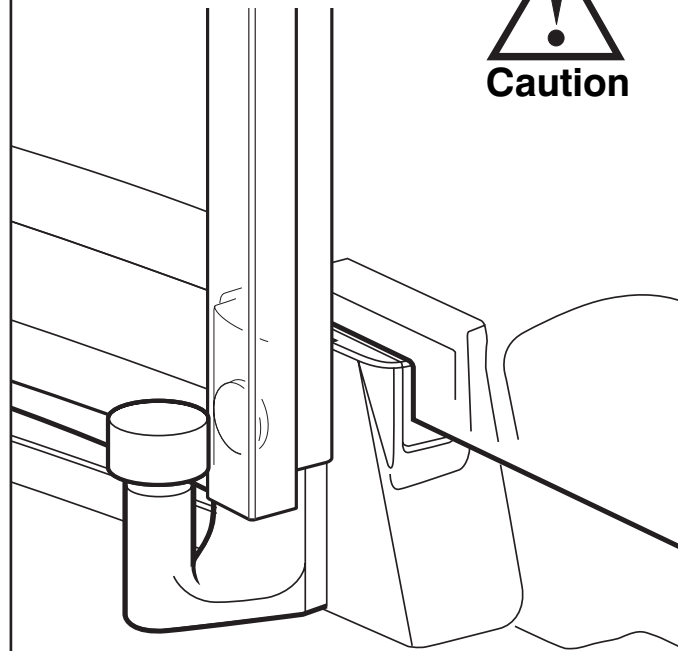


Loosen the screw fixing the bottom roller to the glass with a 3mm allen key



**STEP 30**

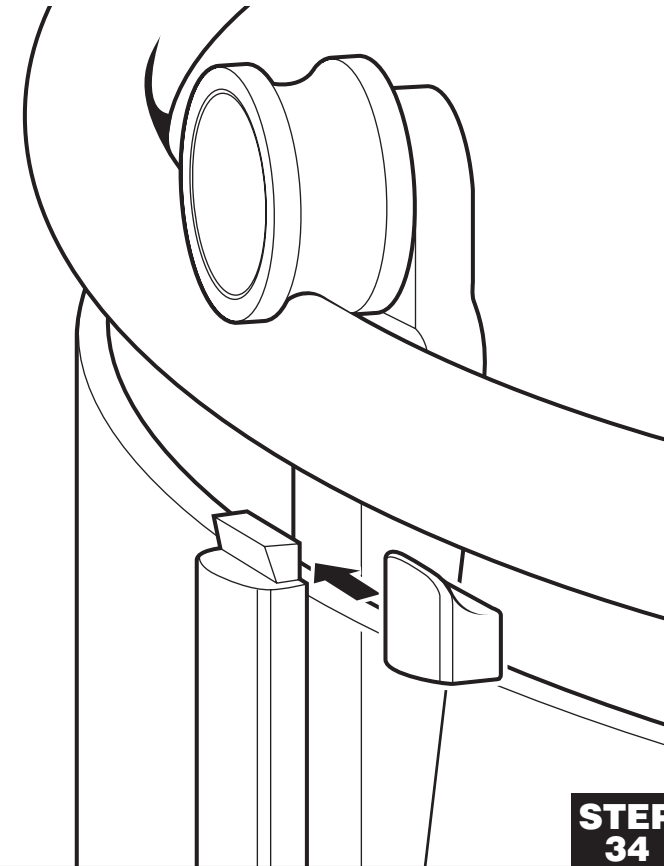
Locate other side of glass door panel between the roller and plastic glass guide



**Caution**

**STEP 31**

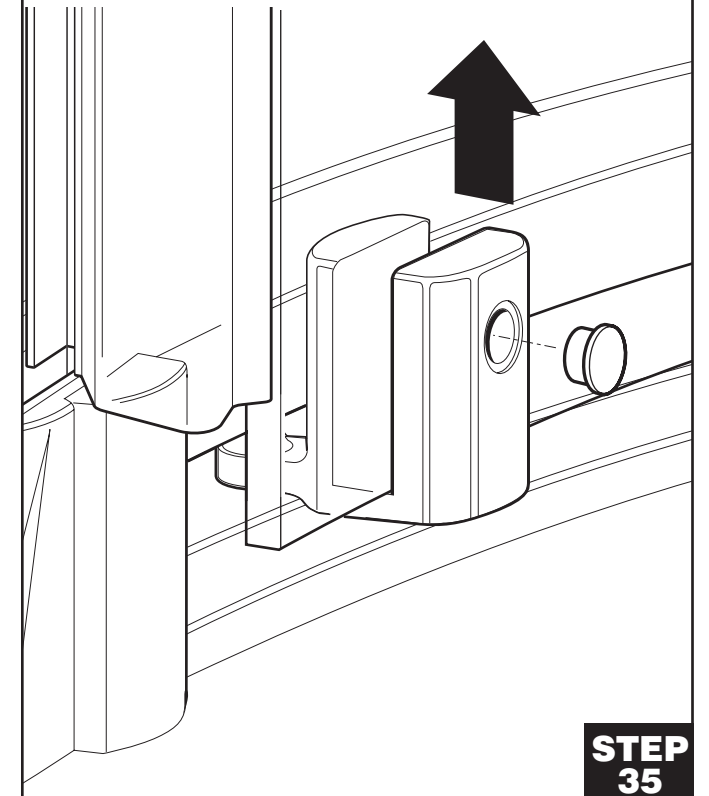
Fit door retainers to both top roller brackets. Caps will 'click' and lock in place



**STEP 34**

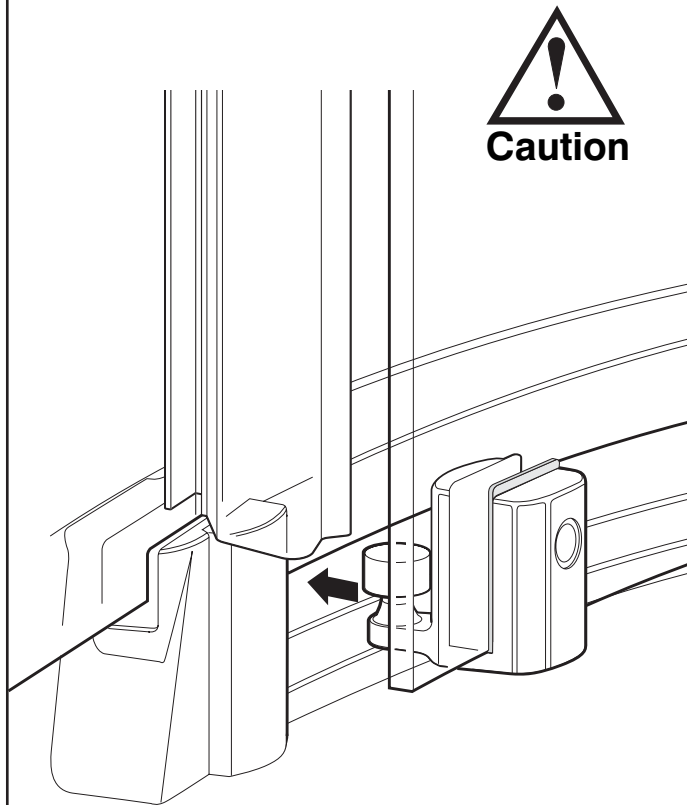
Lift bottom roller up and tighten the fixing screw with a 3mm allen key.

Fit the cap to cover the screw



**STEP 35**

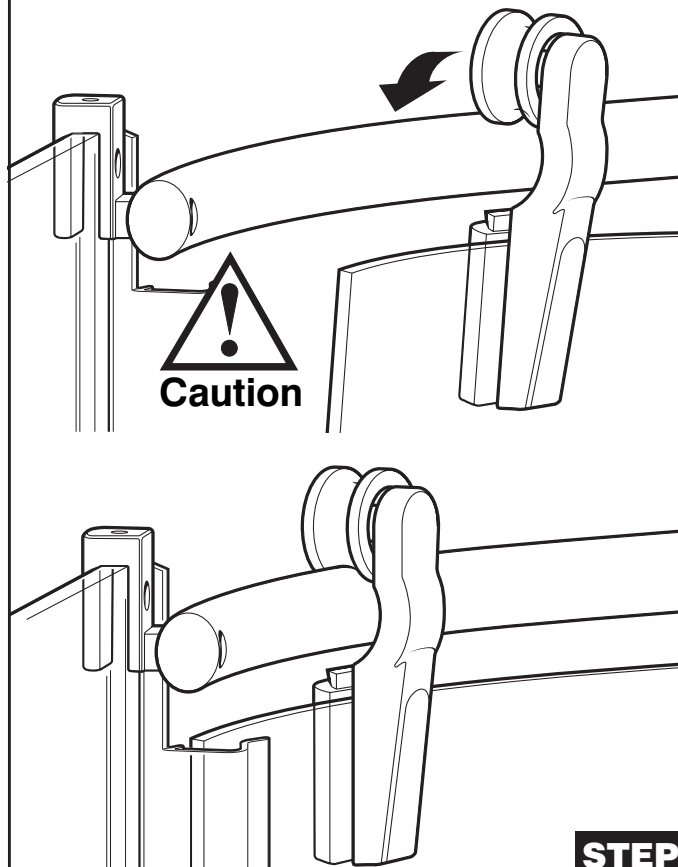
Whilst supporting the weight of the door slide the bottom roller into the bottom track



**Caution**

**STEP 32**

Lift the glass door up and slide the rollers onto the lintel



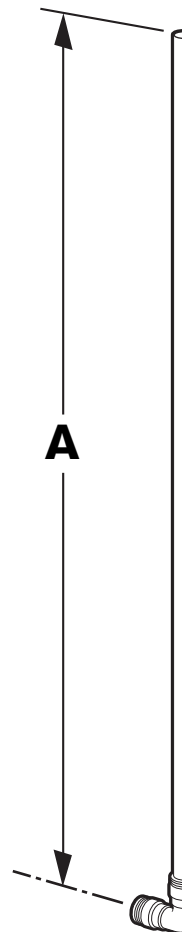
**Caution**

**STEP 33**

Cut the 2 metre pipe to size. Measure from the centre line of the connector.

**Bottom Entry**  
'A' = 1750mm

**Top Entry**  
'A' = 320mm

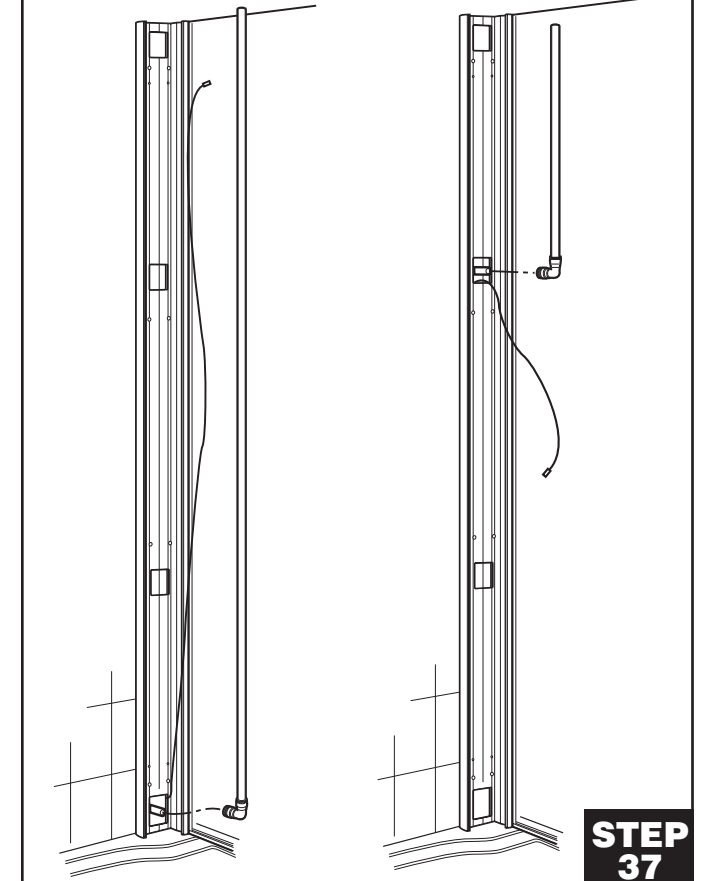


**STEP 36**

Connect pipework

**Bottom Entry**

**Top Entry**



**STEP 37**