



# Garden Cart

---

## Safety & Operating Instructions



**PLEASE READ THESE SAFETY AND OPERATING INSTRUCTIONS  
BEFORE USING THIS PRODUCT. FAILURE TO DO SO  
CAN RESULT IN SERIOUS INJURY.**

COUNTRY HOME PRODUCTS, INC.

[WWW.NEUTONOWNERS.CO](http://WWW.NEUTONOWNERS.CO)

# THANK YOU!

And congratulations on your purchase of the NEUTON® Garden Cart!

The NEUTON Garden Cart is designed with state-of-the-art battery technology to make working in your yard as easy and enjoyable as possible.

If you haven't already ordered them, be sure to try the NEUTON Garden Cart's accessories: the Side Rails, Leaf Catcher, and Soft Cover. These accessories add to the versatility of your Cart.

Please call us, toll-free, at **1-866-NEUTON1 (638-8661)** if you have any questions or difficulties as you get used to your new Cart.

We also hope to hear from you on how much you like your new helper!

Thanks once again!



for all of us at  
Country Home Products, Inc.



Country Home Products®, Inc.  
Meigs Road  
P.O. Box 25  
Vergennes, VT 05491

*Toll-free phone:* **1-866-NEUTON1 (638-8661)**

*Fax:* 1-802-877-1213

*Web site:* [www.neutonowners.com](http://www.neutonowners.com)

*E-mail:* [info@DRpower.com](mailto:info@DRpower.com)

COPYRIGHT and TRADEMARKS

©2005 Country Home Products®, Inc. NEUTON® and the NEUTON logo are trademarks of Country Home Products, Inc. All rights reserved.

## Table of Contents

CHAPTER 1.....	1
INTRODUCING THE NEUTON GARDEN CART.....	1
Conventions Used In This Manual .....	1
CHAPTER 2.....	3
GENERAL SAFETY RULES.....	3
Safety and Information Labels .....	3
Protecting Yourself and Those Around You .....	4
Preparing to Use Your Cart .....	4
Operating Your Cart .....	5
Moving on Slopes.....	6
Servicing Your Cart.....	6
Handling the Battery Safely.....	7
Safely Charging the Battery .....	7
CHAPTER 3.....	9
SETTING UP YOUR NEUTON GARDEN CART.....	9
Unpacking Your Cart .....	9
Package Checklist .....	10
Hardware.....	11
Assembling Your Cart.....	12
CHAPTER 4.....	17
CHARGING AND CARING FOR THE BATTERY.....	17
About the Battery .....	17
Charging the Battery .....	17
Replacing the Battery.....	18
About the Overload Safety Feature .....	19
Caring for the Battery.....	20
Disposing of the Battery Responsibly .....	20
Recycling a Used Battery .....	20
CHAPTER 5.....	21
OPERATING YOUR NEUTON GARDEN CART .....	21
Understanding the Control Switches.....	21
Loading Your Cart.....	22
Moving Forward Fast.....	22
Moving Forward Slowly .....	22
Moving Backward .....	23
Stopping.....	23
CHAPTER 6.....	25
CARING FOR YOUR NEUTON GARDEN CART.....	25
Storing Your Garden Cart.....	25
CHAPTER 7.....	27
OPTIONAL ACCESSORIES .....	27
Leaf Catcher .....	27
Side Rails.....	27
Soft Cover.....	27
Accessory Pack.....	27

CHAPTER 8.....	29
TROUBLESHOOTING.....	29
Troubleshooting Table.....	29
CHAPTER 9.....	32
PARTS LISTS, SCHEMATIC DIAGRAMS AND WARRANTY.....	32
Parts List - Handlebar Tray Assembly.....	32
Schematic- Handlebar Tray Assembly.....	33
Parts List - Bucket Assembly.....	34
Schematic - Bucket Assembly.....	35
Parts List - Drivetrain Assembly.....	36
Schematic - Bucket Assembly.....	37
NOTES: .....	38
Warranty.....	39

## INTRODUCING THE NEUTON GARDEN CART

Congratulations on purchasing your new NEUTON Garden Cart.

Your NEUTON Garden Cart is motorized — never push or balance a wheelbarrow again! Its battery-powered front-wheel-drive makes your Cart easy to move: simply press and go, release and stop. Its three oversized, inflatable tires make your Cart stable and easy to load. Its unique design and low center-of-gravity make your Cart easy to lift and dump. And the convenient controls caddy keeps tools, cups, and other items at your fingertips.

As you get to know your NEUTON Garden Cart, you'll discover that it's strong, light, easy to maintain, and whisper quiet. It's clean, too, because it runs on a battery. You'll breathe easy and keep your yard beautiful the smart, fun way — with your NEUTON Garden Cart.

Please let us know if you have any questions. Just call our Technical Support Department's toll-free phone number **1-866-NEUTON1 (638-8661)**; they will be happy to help you. When you call, please have your order number available so we can help you quickly.

### ***Conventions Used In This Manual***

This manual enlists a number of techniques to help you get the most out of these instructions and, ultimately, the most out of your Cart.

---

#### **! WARNING!**

**THIS WARNING SYMBOL ALERTS YOU TO ESSENTIAL OPERATING, SAFETY, AND MAINTENANCE (SERVICING) INSTRUCTIONS THAT ARE POTENTIALLY HAZARDOUS WHICH, IF NOT AVOIDED, *COULD RESULT IN DEATH OR SERIOUS INJURY.***

---

---

#### **! CAUTION!**

**THIS CAUTION SYMBOL ALERTS YOU TO ESSENTIAL OPERATING, SAFETY, AND MAINTENANCE (SERVICING) INSTRUCTIONS THAT ARE POTENTIALLY HAZARDOUS WHICH, IF NOT AVOIDED, *COULD RESULT IN MINOR OR MODERATE INJURY.***

---

---

#### **! NOTICE!**

**THIS INFORMATION IS IMPORTANT IN THE PROPER USE OF YOUR CART. FAILURE TO FOLLOW THIS INSTRUCTION MIGHT RESULT IN DAMAGE TO YOUR CART OR YOUR PROPERTY.**

---

**Tip:** This is a helpful hint to guide you in getting the most out of your Cart.

**Tools Needed:** This indicates you will need a special tool to perform a maintenance function on your machine.

**NOTE:** *This information may be helpful to you when using your Cart.*



# GENERAL SAFETY RULES

## **WARNING!**

**READ THIS SAFETY & OPERATING MANUAL BEFORE YOU USE THE NEUTON GARDEN CART. BECOME FAMILIAR WITH THE OPERATION AND SERVICE RECOMMENDATIONS TO ENSURE THE BEST PERFORMANCE FROM YOUR MACHINE.**

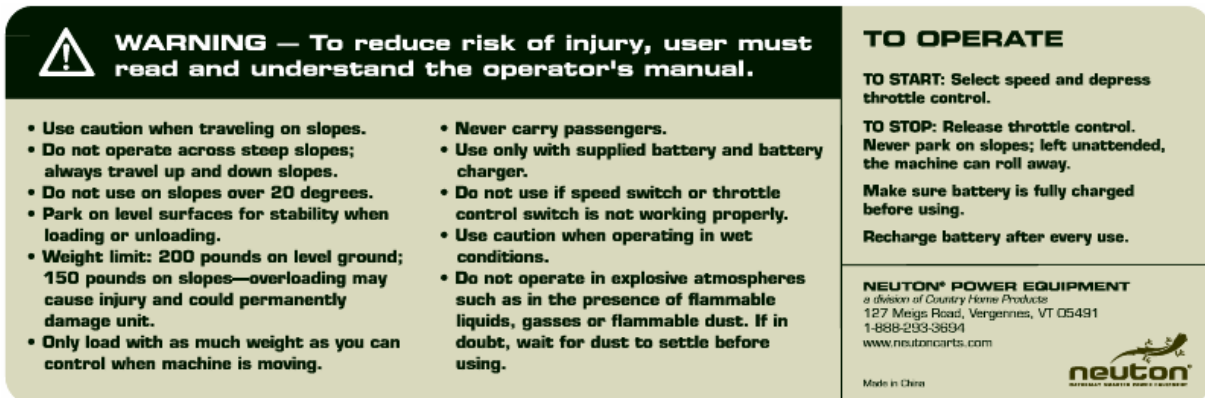
We want you to enjoy years of safe and productive use from your NEUTON Cart. We don't want you to get injured, so please take time to read these *Safety & Operating Instructions* in their entirety before using your new Cart.

These *Safety & Operating Instructions* are shipped with the NEUTON Garden Cart. It explains how to set up and safely operate your new NEUTON Garden Cart. Carefully adhering to the safety and operating instructions in these instructions will ensure many years of productive use.

The NEUTON Garden Cart is designed for residential use. Your performance might vary depending on the weight of your load, the slope of the terrain, and the texture of the driving surface.

### *Safety and Information Labels*

You'll find these labels on your NEUTON Garden Cart. Please read them before operating your Cart.



**WARNING** — To reduce risk of injury, user must read and understand the operator's manual.

- Use caution when traveling on slopes.
- Do not operate across steep slopes; always travel up and down slopes.
- Do not use on slopes over 20 degrees.
- Park on level surfaces for stability when loading or unloading.
- Weight limit: 200 pounds on level ground; 150 pounds on slopes—overloading may cause injury and could permanently damage unit.
- Only load with as much weight as you can control when machine is moving.
- Never carry passengers.
- Use only with supplied battery and battery charger.
- Do not use if speed switch or throttle control switch is not working properly.
- Use caution when operating in wet conditions.
- Do not operate in explosive atmospheres such as in the presence of flammable liquids, gasses or flammable dust. If in doubt, wait for dust to settle before using.

**TO OPERATE**

**TO START:** Select speed and depress throttle control.


**TO STOP:** Release throttle control. Never park on slopes; left unattended, the machine can roll away.

Make sure battery is fully charged before using.

Recharge battery after every use.

**NEUTON® POWER EQUIPMENT**  
a division of Country Home Products  
127 Meigs Road, Vergennes, VT 05491  
1-888-293-3694  
www.neutoncarts.com

Made in China



The NEUTON Garden Cart Warning & Operating label (part number 208321)



WARNING: READ OWNER'S MANUAL AND SAFETY INSTRUCTIONS BEFORE OPERATING

**neuton® Garden Cart**

Fast Forward 

Forward 

Reverse 

FOR REVERSE OPERATION:

- Set main switch to REVERSE
- Hold down REVERSE SAFETY
- Press PowerPad™

208311

Press PowerPad™ to Go.  
Release to Stop.

REVERSE SAFETY

www.neutoncarts.com 1-888-293-3694

The NEUTON Garden Cart Controls Panel label (part number 208311)

## *Protecting Yourself and Those Around You*

---

### **WARNING!**

- TRAGIC ACCIDENTS CAN OCCUR IF YOU ARE NOT ALERT TO THE PRESENCE OF CHILDREN WHEN USING YOUR CART. CHILDREN ARE OFTEN ATTRACTED TO THE CART. NEVER ASSUME THAT CHILDREN WILL REMAIN WHERE YOU LAST SAW THEM.
  - BE SURE THE AREA IS CLEAR OF OTHER PEOPLE BEFORE MOVING. DO NOT ALLOW CHILDREN, BYSTANDERS, OR PETS IN YOUR WORK AREA WHEN YOUR CART IS BEING MOVED.
  - ONLY ALLOW RESPONSIBLE INDIVIDUALS WHO HAVE A THOROUGH UNDERSTANDING OF THESE INSTRUCTIONS TO OPERATE YOUR CART. NEVER ALLOW CHILDREN TO OPERATE YOUR CART.
  - NEVER CARRY CHILDREN. THEY MAY FALL OFF AND BE SERIOUSLY INJURED OR INTERFERE WITH THE SAFE OPERATION OF YOUR CART.
  - BEFORE AND WHILE DRIVING YOUR CART BACKWARDS, LOOK BEHIND AND DOWN FOR SMALL CHILDREN.
  - USE EXTRA CARE WHEN APPROACHING BLIND CORNERS, SHRUBS, TREES, OR OTHER OBJECTS THAT MAY OBSCURE YOUR VISION.
  - WEAR SHOES WITH NON-SLIP TREADS. IF YOU HAVE SAFETY SHOES, WEAR THEM. DO NOT USE YOUR CART WHILE BAREFOOT OR WEARING OPEN SANDALS.
  - IF YOU ARE EVER UNSURE ABOUT AN ACTION YOU ARE ABOUT TO TAKE, PLEASE DON'T DO IT.
- 

## *Preparing to Use Your Cart*

---

### **WARNING!**

- READ, UNDERSTAND, AND FOLLOW ALL INSTRUCTIONS ON YOUR CART'S LABEL AND IN THIS GUIDE. BE THOROUGHLY FAMILIAR WITH THE CONTROLS AND THE PROPER USE OF YOUR CART BEFORE STARTING.
  - THOROUGHLY INSPECT THE AREA WHERE YOUR CART IS TO BE USED, AND REMOVE ALL STONES, STICKS, WIRE, PET SUPPLIES OR LAWN TOYS, AND ANY OTHER FOREIGN OBJECTS THAT YOU COULD RUN OVER. ALSO NOTE THE LOCATION OF HOLES, RUTS, BUMPS, STUMPS, AND OTHER POSSIBLE HAZARDS.
  - USE YOUR CART ONLY IN DAYLIGHT OR IN AN AREA WELL LIT BY ARTIFICIAL LIGHT.
-



## Operating Your Cart

---

** WARNING!**

- KEEP A FIRM HOLD ON THE HANDLE, AND WALK — NEVER RUN.
  - DO NOT PUT YOUR HANDS OR FEET NEAR OR UNDER THE ROTATING WHEELS.
  - NEVER OPERATE YOUR CART IN THE RAIN OR IN TALL WET GRASS. REMEMBER, THIS IS AN ELECTRIC CART.
  - DO NOT MOVE IN REVERSE UNLESS ABSOLUTELY NECESSARY. WHEN MANEUVERING IN REVERSE, USE EXTREME CAUTION. ALWAYS LOOK DOWN AND BEHIND YOU BEFORE MOVING BACKWARDS.
  - DO NOT OPERATE YOUR CART IF IT DOES NOT START OR STOP NORMALLY.
  - STAY ALERT AND WATCH WHAT YOU ARE DOING.
  - ALWAYS BE SURE OF YOUR FOOTING.
  - DO NOT OPERATE YOUR CART WHEN YOU ARE TIRED OR UNDER THE INFLUENCE OF DRUGS OR ALCOHOL.
  - DO NOT USE YOUR CART FOR ANY JOB OTHER THAN THOSE FOR WHICH IT IS INTENDED.
  - USE ONLY MANUFACTURER-RECOMMENDED REPLACEMENT PARTS AND ACCESSORIES.
  - DO NOT MODIFY YOUR CART IN ANY WAY. MODIFICATIONS VOID YOUR WARRANTY.
  - WHEN OPERATING OVER UNEVEN TERRAIN AND SLOPES, USE EXTREME CAUTION TO ENSURE SOLID AND FIRM FOOTING.
  - NEVER CARRY PASSENGERS.
  - DO NOT PULL YOUR CART BACKWARDS WHILE RUNNING IN FORWARD GEAR. THIS CAN DAMAGE THE MOTOR AND RUIN THE GEARS.
  - PREVENT DAMAGE TO THE MOTOR AND GEARS – DO NOT TOW ANYTHING BEHIND YOUR CART OR OVERLOAD IT.
  - DO NOT EXCEED THE MAXIMUM LOAD OF 200 POUNDS (90 KILOGRAMS) ON LEVEL GROUND AND 150 POUNDS (68 KILOGRAMS) ON SLOPES. OVERLOADING CAN BE DANGEROUS AND CAUSE PERMANENT DAMAGE TO YOUR CART.
  - EVENLY DISPERSE THE LOAD IN YOUR CART'S BUCKET.
-

## *Moving on Slopes*

---

### **WARNING!**

**SLOPES ARE A MAJOR FACTOR RELATED TO SLIP-AND-FALL ACCIDENTS, WHICH CAN RESULT IN SEVERE INJURY. ALL SLOPES REQUIRE CAUTION. IF YOU FEEL UNEASY ON A SLOPE, DO NOT DRIVE ON IT.**

---

#### **DO:**

- Use caution on slopes. Whenever possible, move up and down the slope at an angle.
- Exercise caution when changing directions on slopes.
- Remove obstacles such as rocks, tree limbs, or any other potential object that your Cart could hit.
- Watch for holes, ruts, or bumps. Be careful on uneven terrain to avoid overturning your Cart. Tall grass can hide obstacles.
- When moving down slopes, always keep your Cart in low gear and moving. The friction of the motor helps you keep better control of your Cart.
- Use caution when carrying heavy loads up slopes. If your Cart is overloaded, the safety fuse may trip and allow the Cart to roll back toward you, causing severe injury.

#### **DO NOT:**

- Do not turn on slopes unless necessary, and then, turn slowly and gradually.
- Do not move near drop-offs, ditches, or embankments. The Cart could suddenly turn over if a wheel is over the edge of a cliff or ditch or if an edge caves in.
- Do not park your Cart on hills or steep slopes.

## *Servicing Your Cart*

---

### **CAUTION!**

**ALTERING THE ELECTRICAL SYSTEM COULD CAUSE A FIRE RESULTING IN SERIOUS INJURY. DON'T DO IT.**

---

- Using components other than those supplied could cause overheating, fire, or explosion.
- Never make adjustments or repairs with the motor running.
- Keep all nuts and bolts tight, and keep the equipment in good condition.
- Keep your Cart's wheels free of grass, leaves, or other debris build-up.
- Keep your Cart clean and dry. Use a damp cloth or sponge with a mild soap or detergent when cleaning your Cart. Never use gasoline, solvents, or other petroleum-based or solvent-based products when cleaning.
- Periodically inspect the wire connector. If it is damaged in any way, do not use your Cart until the wire connector has been replaced or repaired.
- When not in use, store your Cart indoors in a dry place.

## *Handling the Battery Safely*

---

### **WARNING!**

- **USE ONLY THE 12-VOLT, LEAD-ACID, RECHARGEABLE BATTERY AND THE 12-VOLT BATTERY CHARGER THAT SHIPS WITH YOUR CART, OR THEIR COUNTRY HOME PRODUCTS REPLACEMENT. USING THE WRONG TYPE OF BATTERY OR CHARGER COULD CAUSE A FIRE OR EXPLOSION RESULTING IN SERIOUS INJURY.**
  - **NEVER LIFT OR CARRY THE BATTERY BY THE WIRES OR CONNECTORS. THIS CAN DAMAGE THE BATTERY AND POSSIBLY CAUSE A FIRE RESULTING IN SERIOUS INJURY. LIFT AND CARRY THE BATTERY BY THE CASE ONLY.**
- 

Read the safety instructions on the battery. Only adults should handle the battery. The battery is heavy and contains sulfuric acid (electrolyte). Dropping the battery could result in serious injury. Get a firm grip and use caution when removing or changing the battery.

- Examine the charger and the connectors for excessive wear or damage each time you charge the battery. If you determine there is a problem, do not use the charger or the battery until you have replaced the worn or damaged part.
- Batteries contain sulfuric acid. To prevent burns, avoid contact with skin, eyes, and clothing. To prevent fire or explosion keep sparks and open flames away from the battery.
- Exercise care in handling the battery in order not to short-circuit it with conducting materials such as rings, bracelets, and keys. When short-circuited, the battery or conductor may overheat and cause burns.
- Never throw away used batteries in your household trash. Bring them to a recycling center or household hazardous waste depot for proper disposal. Please refer to “Recycling a Used Battery” for more information.

---

### **NOTICE!**

**PLEASE DISPOSE OF USED BATTERIES RESPONSIBLY, ACCORDING TO YOUR LOCAL HAZARDOUS MATERIALS REGULATIONS.**

---

## *Safely Charging the Battery*

- Charge the battery before using your Cart.
- Never allow the battery to completely discharge; charge the battery before this happens.
- Charge the battery before storing your Cart. Do not leave the battery discharged, as this can ruin it.
- Never allow children to charge the battery. The electricity involved in charging the battery could injure child.
- **NEVER** charge the battery in the rain or in wet locations.



## SETTING UP YOUR NEUTON GARDEN CART

Your NEUTON Garden Cart ships complete in one box. Before using your Cart, you must assemble it. Review the checklist to make sure you have all the parts you need. Then, take some time to review the drawings and photographs to get familiar with the steps needed to assemble your Cart. It's much easier to assemble your Cart once you see and understand how the parts all fit together.

### *Unpacking Your Cart*

Open the long-end of the box with the taped closure, then lay the box down on its side with the buckets on the bottom. Slide everything out part way — that way you can easily reach all the parts in the box.

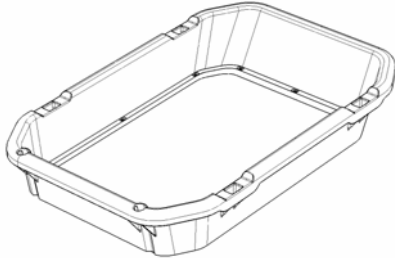
Empty all the items from the box onto a strong table and make sure you have all the parts. Use the pictures on the next two pages to compare.

### *Some Special Unpacking Instructions*

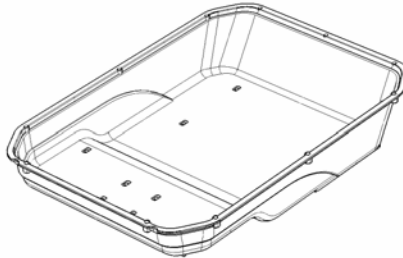
- Be extra careful with the drive train; it's heavy, so use both hands to lift it. The drive train comes wrapped in its own box. The battery is shipped already mounted in the drive train.
- Clip the straps on the drive train's box, then with its housing down, slide the drive train out.
- The battery stays neatly nestled within the drive train's housing. Two zip ties hold it in place for ease of assembly later. Do not remove the zip ties at this time. The zip ties need never be removed unless you require a replacement battery in the future.
- The wire harness is tucked into one corner of the drive train housing. Carefully pull the wire harness out and route it through the slot in the drive train housing. Protect the exposed electronics of the drive train and battery until you are ready put them — as one unit — into your Cart.
- The caddy is attached to the buckets with ties. Cut the ties to detach the caddy.
- Leave the hardware in the separate colored bags until you are ready to use them.
- Save the charger's cardboard box; use it to store the charger.
- Other than the exceptions noted above, remove all the remaining cardboard and plastic wrapping from the parts.
- Keep all the packing materials, including the box, until your two-year warranty expires.

## Package Checklist

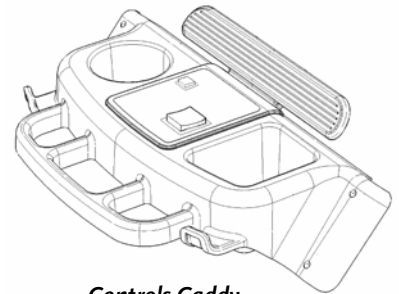
Country Home Products ships the following items with your new Cart. Please check to make sure you have everything listed below [part numbers in brackets]. If you are missing any of these items, please call Customer Service at **1-866-NEUTON1 (638-8661)** for assistance.



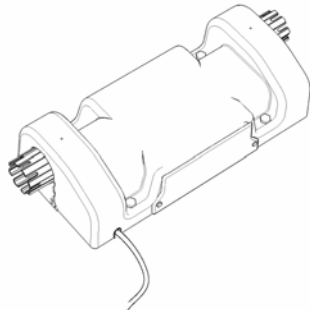
**Upper Bucket**  
[207241]



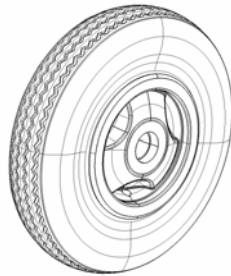
**Lower Bucket**  
[209751]



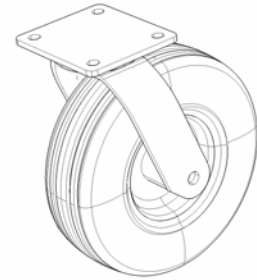
**Controls Caddy**  
[211261]



**Drive Train**  
[211251]



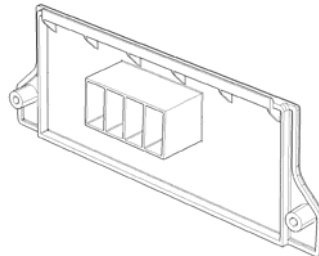
**Front Wheels**  
[207271, 2 each]



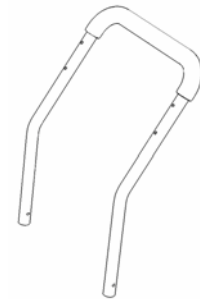
**Rear Caster Wheel**  
[207281]



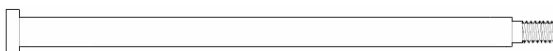
**Battery**  
[104831]



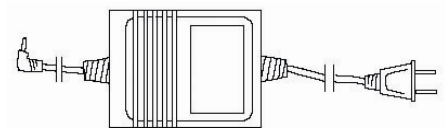
**Battery Door**  
[207311]



**Upper Handle**  
[207291]



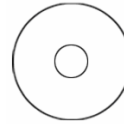
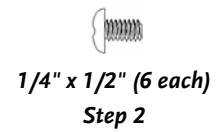
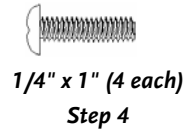
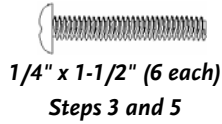
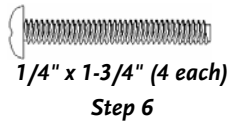
**Wheel Bolt**  
[208401, 2 each]



**Battery Charger**  
[207321]

## Hardware

All hardware comes in colored bags: blue, green, clear, and red. You need each bag for a different step when assembling your Cart. Only open the bags when you need to use them. Below are drawings of the hardware (not drawn to scale) together with their quantities, and the steps where you use them. Following that is a table that describes the contents of each bag.



## Contents of Colored Hardware Bags

Bag Color	Step	Description	Hardware	Quantity
Blue	2	Attach the buckets	1/4" x 1/2" Screw	6
Green	3	Attach the drive train	1/4" Lock Washer	4
			1/4" Small Flat Washer	4
			1/4" x 1-1/2" Screw	4
Clear	4	Attach the caster wheel	1/4" Lock Washer	4
			1/4" Large Flat Washer	4
			1/4" x 1" Screw	4
Red	5	Attach the upper handle	1/4" Small Flat Washer	2
			1/4" x 1-1/2" Screw	2
			1/4" Nylon Lock Nut	2
	6	Attach the controls caddy	1/4" Small Flat Washer	4
			1/4" x 1-3/4" Screw	4
			1/4" Nylon Lock Nut	4
8	Secure the wire harness	Tie Wraps	3	

All of the screws you need to assemble the NEUTON Garden Cart have a diameter of 1/4"; only the lengths vary. This is good to know if somehow the screws get jumbled while you are assembling your Cart. If this happens, simply get out a ruler and measure the length of the screw and you'll know what size you are working with.

## Assembling Your Cart

Before using your Cart, you must first fully assemble it by performing these main tasks:

1. Read these *Safety & Operating Instructions* fully.
2. Attach the buckets.
3. Attach the drive train.
4. Attach the wheels.
5. Attach the upper handle.
6. Attach the controls caddy.
7. Plug in the wire harness.
8. Secure the wire harness

Each of these steps is described in detail below.

### Tools needed:

- Phillips screwdriver
- 7/16" open-end wrench
- Adjustable wrench
- Safety scissors

### 1. Read the Safety Instructions

For your own safety and understanding, please read these *Safety & Operating Instructions* in their entirety— paying special attention to Chapter 2: Important Safety Considerations — before assembling and using your Cart. Your experience using your Cart will be greatly enhanced as a result of reading this guide.

### 2. Attach the Buckets

- Place the Upper Bucket upside down on a large, clean, flat surface (such as a strong table or a clean floor).
- Place the Lower Bucket (again, upside down) on top of the Upper Bucket, aligning it with the channel rim. Make sure the two buckets are connected the right way — the lower handles must be aligned over the round handle holes in the rear of the upper bucket.
- Snap the two buckets together. Check to make sure the two buckets are seated tightly together.

**Tip:** Look into each of the six screw holes in the Lower Bucket; make sure they all align with the inserts in the Upper Bucket and the two buckets are firmly seated together. Then you can easily screw in the screws.

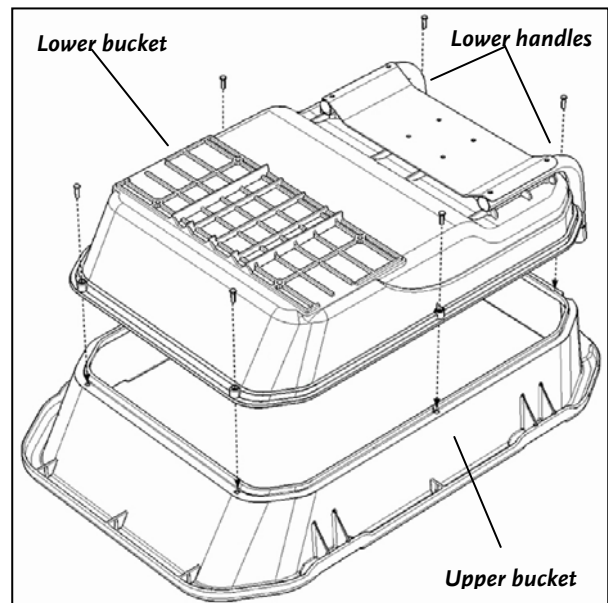


Figure 1. Aligning and attaching the Upper and Lower Buckets.



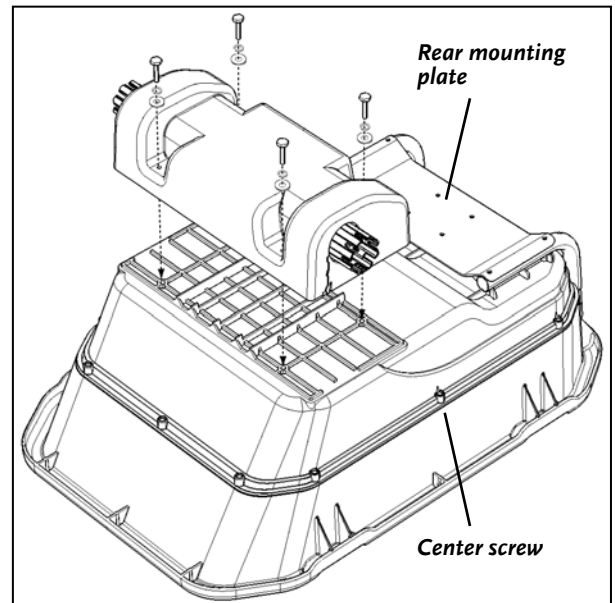
- Open the blue hardware bag. Insert a 1/4" x 1/2" screw through each of the holes in the rim of the lower bucket (**Figure 1**).
- Tighten the center two screws first using a Phillips screwdriver. The ends of the buckets will now more easily align. Then tighten the remaining four screws. Be careful not to over-tighten the screws.

**Tip:** Tighten the screws until they are just snug. Don't press down too hard or tighten the screws too much. This can cause the threaded inserts (in the upper bucket) to loosen and spin freely. If an insert does loosen, push it back in and lock it into its recessed position. Then you can tighten the screw again.

### 3. Attach the Drive Train

Now, attach the entire drive train and battery to the bucket assembly.

- Lift the drive train assembly and place it onto the lower bucket (**Figure 2**).
- Face the wire harness and the battery door towards the rear mounting plate (attached to lower handle assembly). Make sure that the wire harness is routed through the slot in the drive train housing.



**Figure 2.** Attaching the drive train.

## **! NOTICE!**

**DO NOT PLACE THE DRIVE TRAIN ON TOP OF THE WIRE HARNESS.**

Line up the drive train's holes with the lower bucket's receiving holes. The receiving holes on the lower bucket have threaded inserts already in them.

**Tip:** Make sure the drive train is seated properly on the lower bucket before inserting the screws. There is a specific position that the drive train lines up with. Again, you can look in the holes in the drive train assembly to see when it aligns properly.

- Open the green hardware bag. First place a 1/4" lock washer on the 1/4" x 1-1/2" screw, then a 1/4" small flat washer. Insert the screws and washers through each of the holes (**Figure 2**).
- Use your hands to align and loosely screw in the screws. Once all four are loosely screwed in, tighten them down snugly with a Phillips head screwdriver. Again, don't over-tighten them.

#### 4. Attach the Wheels

First, align the wire harness, then attach the rear caster wheel and the front wheels.

- Thread the wire harness underneath the rear mounting plate (**Figure 3**). This helps keep the wire harness from flopping around once you turn the Cart over. Threading the wire harness might prove a little tricky; just stick with it.
- Remove any kinks and twists from the wire harness once it's through.
- Position the rear caster wheel over the receiving holes in the rear mounting plate on the lower bucket (**Figure 3**). The caster plate aligns lengthwise with the mounting plate. If the holes don't align, try twisting the plate a quarter turn.
- Open the clear hardware bag. First place a 1/4" lock washer on the 1/4" x 1" screw, then a 1/4" large flat washer. Insert a screw and washer through each of the holes on the caster plate (**Figure 3**).
- Use your hands to align and loosely screw in the screws. Once all four are loosely screwed in, tighten them down snugly with a Phillips screwdriver. Again, don't over-tighten them.
- On each front wheel, find the side stamped **INSIDE** (look on the wheel's hub). Slide that side of the wheel onto the drivetrain. Align the finger slots on the drive train's hub with the spokes of the wheel rim (**Figure 4**). Insert a wheel bolt through the wheel bearing and into the drive train (**Figure 3**).
- Use your hands to align and loosely screw the wheel bolts into the threads inside the drive train. Tighten with an adjustable wrench (a 17-mm wrench works nicely too), but not too tight. Make sure the wheels spin freely.

**NOTE:** Do not over tighten the bolt. We designed the wheel assembly to have a slight bit of "play" in it, even when it is securely fastened.

- Turn the completed bucket assembly over onto its wheels.

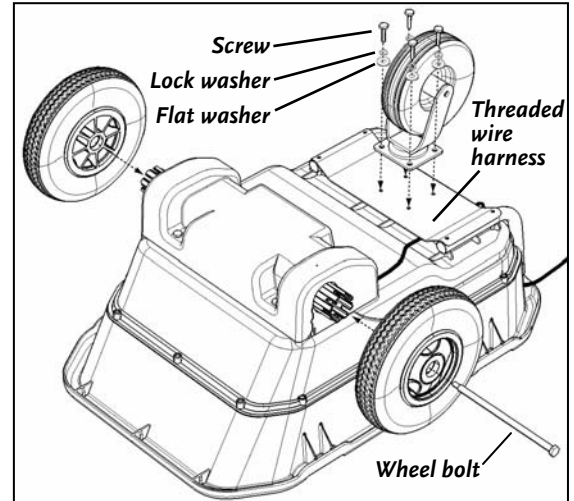


Figure 3. Aligning the wire harness and attaching the wheels.

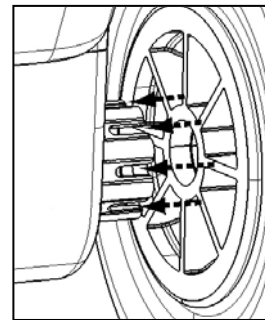


Figure 4. Slide the front wheels into the finger slots on the drive train.

### **! NOTICE!**

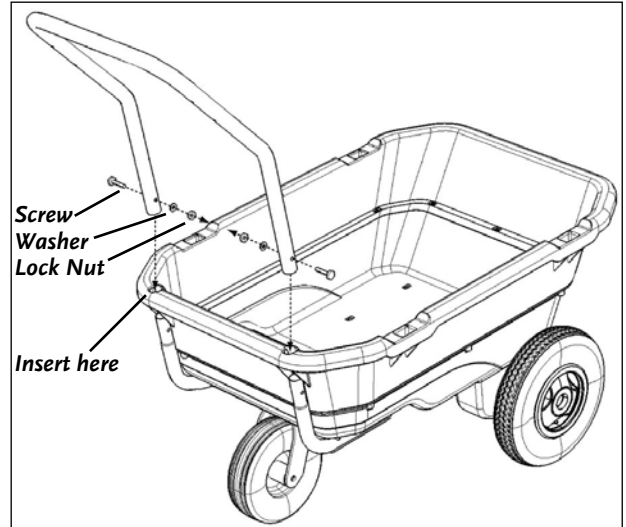
**BE CAREFUL WHEN YOU ARE TURNING THE GARDEN CART OVER, IT'S LARGE AND HEAVY. HOLD THE WIRE HARNESS AND KEEP IT OUT OF THE WAY TO MAKE SURE THAT IT IS NOT DAMAGED.**

**Tip:** Here's an easy way to turn the Cart over, simply rotate the Cart over on its nose. Grab the lower handles together with the wire harness, bring the rear caster up and over the drive train, onto the bucket face, and down on the front wheels.

## 5. Attach the Upper Handle

Attach the upper handle onto the lower handles on the bucket assembly.

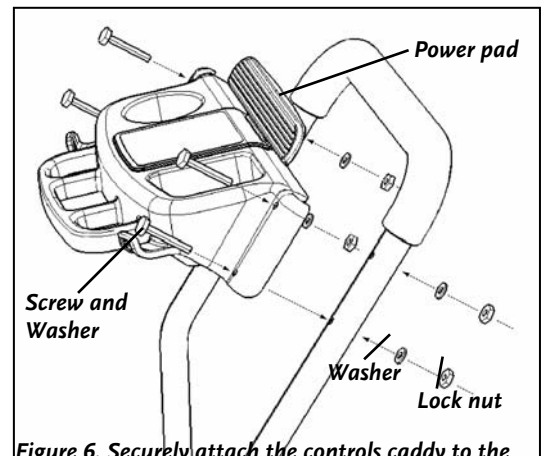
- Slide the upper handle through the handle holes in the upper bucket, and then over the lower handle tubes on the bucket assembly. Make sure the screw holes align.
- Tilt the Cart up on its nose. This makes it easier to screw the handles together.
- Open the red hardware bag which includes only two screws. Insert a 1/4" x 1-1/2" screw from the outside of the handle, passing through the screw hole where the upper and lower handles attach (**Figure 5**).
- Once the screw is completely through the handle assembly, place a 1/4" flat washer and then a 1/4" nylon lock nut on the inserted screw.
- Hold the screw with your Phillips screwdriver and tighten the nylon lock nut with a 7/16" open-end wrench.
- Now attach the other side of the handle the same way.
- Lower the Cart back onto its wheels.



**Figure 5.** Screw the upper handle onto the lower handles.

## 6. Attach the Controls Caddy

- The Power Pad on the controls caddy operates the Cart.
- Open the red hardware bag with four screws. Place the four 1/4" x 1-3/4" screws in the cup holder of the controls caddy for easy access. Set the four small washers and the nylon lock nuts in a handy spot where you can easily reach them.
- Position the Controls Caddy on the upper handle, align the holes on the caddy with the holes in the handle (**Figure 6**), and hold the caddy firmly against the handle.
- Take the 1/4" x 1-3/4" screws from the cup holder and, one by one, insert them into the holes. Make sure the screws go all the way through the caddy and out the back of the handle. Slide a 1/4" small washer onto the screws, and then loosely screw a 1/4" nylon lock nut onto the screws.



**Figure 6.** Securely attach the controls caddy to the upper handle.

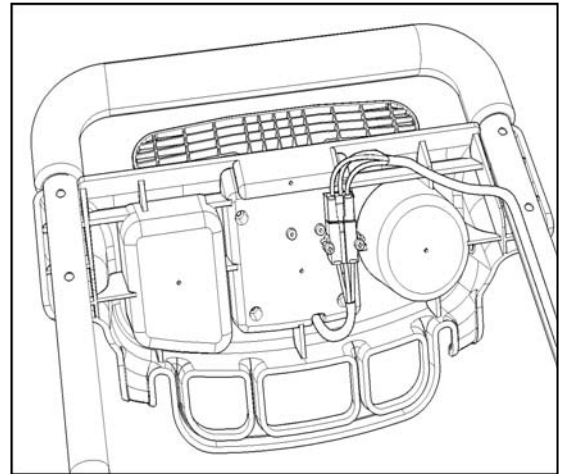
**Tip:** If you are having trouble attaching the small washers and nylon lock nuts, you might find it easier with the Cart tilted forward on its nose.

- Hold the screw with your Phillips screwdriver and securely tighten the nylon lock nuts with a 7/16" open-end wrench.

**Tip:** Be sure not to attach the controls caddy over the foam handle. If need be, push up the foam a bit to fit the controls caddy flush against the metal handle.

## 7. Plug in the Wire Harness

- Connect the wire harness to the underside of the controls caddy.
- If you haven't already, tilt the Cart forward onto its nose.
- Take the wire harness cable and run it up along the right side of the handle's tubing.
- Plug the connector end of the wire harness into the switch connector underneath the controls caddy (**Figure 7**). It will only install one way. The wire colors will be aligned such as red to red on one end.
- Press securely the locking tab on the connector snaps into position. This prevents the wire harness from accidentally pulling away from the switch connector.

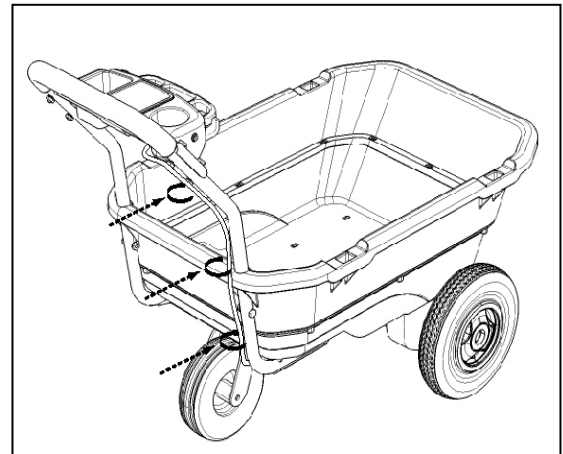


*connector underneath the controls caddy.*

## 8. Secure the Wire Harness

Tie the wire harness to the handle's tubing; this helps keep the wire harness safely out of the way when using the Cart.

- Put the Cart back onto its wheels.
- Take the tie wraps from the red hardware bag. One by one, place the tie wraps around the wire harness and handle's tubing (in the locations shown in **Figure 8**), slip the end into the tab, and pull tightly.



*Figure 8. Securing the wire harness to the handle.*

## CHARGING AND CARING FOR THE BATTERY



### **WARNING!**

ELECTRICAL HAZARD: PREVENT FIRE

- NEVER MODIFY YOUR CART'S ELECTRICAL SYSTEM. MODIFICATIONS COULD RUIN THE ELECTRICAL SYSTEM AS WELL AS CAUSE A FIRE, RESULTING IN SERIOUS INJURY.
  - USING ELECTRICAL COMPONENTS OTHER THAN THOSE SUPPLIED WITH YOUR CART COULD CAUSE THE ELECTRICAL SYSTEM TO OVERHEAT, EXPLODE, OR START A FIRE.
  - ONLY ADULTS SHOULD HANDLE THE BATTERY, IT CONTAINS SULFURIC ACID (AN ELECTROLYTE). THE BATTERY IS HEAVY; DROPPING IT COULD RESULT IN SERIOUS INJURY.
  - NEVER LIFT OR CARRY THE BATTERY BY THE CABLES OR TERMINALS. THIS CAN DAMAGE THE BATTERY AND POSSIBLY START A FIRE, RESULTING IN SERIOUS INJURY. LIFT AND CARRY THE BATTERY ONLY BY ITS CASE.
  - DO NOT SHORT CIRCUIT THE BATTERY.
  - READ THE SAFETY INSTRUCTIONS ON THE BATTERY.
- 

### *About the Battery*

The NEUTON Garden Cart comes with a 12-Volt, maintenance-free, rechargeable, sealed lead acid battery. A fully charged battery runs from 50 to 90 minutes, depending on your Cart's load. Properly maintained and charged, the battery provides years of dependable service.

### *Charging the Battery*



### **WARNING!**

ELECTRICAL HAZARD: PREVENT FIRE

- USING THE WRONG TYPE OF BATTERY OR CHARGER COULD CAUSE A FIRE OR EXPLOSION, RESULTING IN SERIOUS INJURY.
  - NEVER ALLOW CHILDREN TO CHARGE THE BATTERY. THE ELECTRICITY INVOLVED IN CHARGING THE BATTERY COULD INJURE A CHILD.
  - EXAMINE THE CHARGER, ITS CONNECTORS, AND THE BATTERY FOR EXCESSIVE WEAR OR DAMAGE EACH TIME YOU CHARGE THE BATTERY. IF YOU SEE ANY EXCESSIVE WEAR OR DAMAGE, DO NOT USE THE CHARGER OR THE BATTERY, REPLACE THEM.
  - USE ONLY THE 12-VOLT CHARGER SUPPLIED WITH YOUR CART TO CHARGE THE BATTERY.
  - USE THE CHARGER ONLY IN DRY LOCATIONS. AVOID CONTACT WITH WATER.
-

Charging the battery is a simple process. Leave the battery in your Cart when you charge it.

- Plug the charger connector into the charger receptacle on the right side of the controls caddy (**Figure 9**).
- Plug the charger into a standard wall outlet.

**NOTE:** As a safety precaution, your Cart does not run when the battery charger is plugged into it.

You can quickly determine the charging status of your battery. Look at the LED display on the front of the battery charger. You have one of display types. For type A, a green light indicates the battery is fully charged and a red light indicates that the battery is still charging. For type B, two green lights indicate that the battery is fully charged and a single green light indicates that the battery is still charging.

**NOTE:** With the charger only connected to the wall outlet or only to the Cart, the LED will be green.

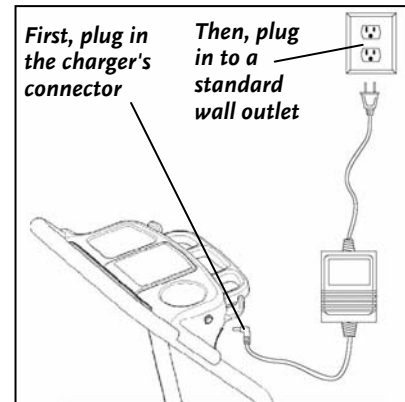
Every time you finish using your Cart, recharge the battery. The time it takes to recharge the battery depends on how drained it is when you start. Typically, the battery takes between 6 and 8 hours to fully charge. The battery does not have a “memory”; so don’t worry about overcharging the battery or charging it too often.

You can charge the battery hundreds of times. The battery lasts longer if you charge it before it is fully drained. Keep it fully charged and at room temperature when not using your Cart.

Once the battery is charged, pull the plug from the wall outlet and then remove the charger from your Cart. You can, however, leave your Cart plugged in and charging for an extended period of time.

Store the charger in the box you saved. Keep the charger in a dry location.

If the battery does not hold its charge for very long under normal conditions or it simply won’t hold a charge, then replace it. You can purchase replacement batteries directly from us.



**Figure 9.** Charging your Cart's battery

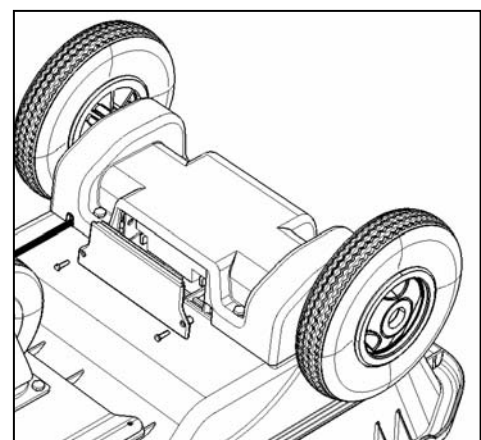
## **! NOTICE!**

**WHEN THE BATTERY GETS OLD AND NO LONGER ACCEPTS A CHARGE, REMOVE IT FROM YOUR CART. NEVER LEAVE A DEAD BATTERY IN YOUR CART.**

### **Replacing the Battery**

To replace your battery, tilt the Cart forward on its nose.

- Remove the battery door by first removing the two screws. The battery door has a lip on one side which sets into the drive train housing. Pull the battery door toward the bucket slightly as you remove it in order to release the lip.
- Your Cart was originally shipped with two plastic zip tie straps to hold the battery in place for shipping. Simply cut the zip tie straps with a pair of scissors and pull them from around the battery. They are no longer necessary and do not need to be replaced.



**Figure 10.** Replacing the battery.

- Pull the battery partially out of the unit to access the wire terminals. Disconnect the red and the black wires from the battery terminals by unscrewing the terminal nut and bolt. Use a Phillips screwdriver and an adjustable wrench.
- Slide the old battery the rest of the way out of the unit and slide the new battery in its place.. The color coded battery terminals are positioned outward for easy access. Reconnect the wire terminals to the new battery.. The red wire connects to the red marked battery terminal and the black wire connects to the black marked battery terminal. Use a Phillips screwdriver and an adjustable wrench to securely tighten the terminal hardware.
- Slide the new battery fully back into the unit. Tuck the wires around the battery so they are not in the way of the battery door.
- Align the battery door with the square block (on the inside of the battery door) towards the battery and face the screw holes down. Slightly angle the tab on the battery door on the drive train's lip (in the battery opening) and hook it on (**Figure 10**).
- Make sure the battery wires don't stick out from under the door.
- Reattach the screws through each hole in the battery door, and tighten them snugly with a Phillips screwdriver. Be careful not to over-tighten them.
- Tilt the unit back onto its wheels. Run the unit briefly to check that the battery replacement went well.

### ***About the Overload Safety Feature***

Your NEUTON Garden Cart has a built-in safety fuse. If your Cart is overloaded or the operating conditions are too severe, the safety fuse automatically trips and stops your Cart. The fuse automatically resets itself after about 5 seconds. Then you can move your Cart again.

Of course, before you use your Cart again, you should change how you are using your Cart. Try reducing the load. Keep under 200 pounds (90 kilograms) on level surfaces; no more than 175 pounds (79 kilograms) on a 10° slope; and no more than 150 pounds (68 kilograms) on a 20° slope.

Don't drive straight up slopes; move up and down a slope at less of an angle. Keep out of loose or muddy terrain, which can cause the wheels to spin freely or even stop spinning while power is still being supplied to the motor; drive on more solid ground.

All these tips help keep the fuse from shutting down.

If the fuse continually trips while you are using your Cart under normal conditions, please contact our Technical Support Department at **1-866-NEUTON1 (638-8661)**.



## **WARNING!**

**BE CAREFUL WHEN YOU ARE MOVING UP A STEEP INCLINE OR USING THE CART IN SEVERE CONDITIONS. IF THE SAFETY FUSE DOES TRIP, THE CART'S LOAD MIGHT SUDDENLY SHIFT AND ALLOW THE CART TO ROLL BACK ON YOU, CAUSING SEVERE INJURY.**

---

## *Caring for the Battery*

- Before charging the battery, observe its external appearance and keep it clean and dry. Never charge or use a battery that shows cracks, changes shape, leaks, or otherwise is obviously damaged.
- Recharge a battery before it is fully discharged. **Do not allow the battery to run down completely before charging. Leaving the battery discharged damages the battery.** Charge the battery at least once per month, even if your Cart has not been used.
- If the battery begins to leak, avoid contact with the leaking acid. Place the damaged battery in a plastic bag, then dispose of it properly.

---

### **WARNING!**

**IF BATTERY ACID DOES CONTACT YOUR SKIN OR EYES, FLUSH WITH COOL WATER FOR AT LEAST 15 MINUTES AND CALL A PHYSICIAN. IF ACID IS INGESTED, CALL A PHYSICIAN IMMEDIATELY.**

---

## *Disposing of the Battery Responsibly*

The battery is a sealed lead-acid battery. Recycle or dispose of it in an environmentally sound way.

- Do not dispose of a lead-acid battery in a fire. The battery may explode or leak.
- Do not dispose of a lead-acid battery in your regular, household trash. Law in most areas prohibits incinerating, disposing in a landfill, or mixing a sealed lead-acid battery with household trash.

## *Recycling a Used Battery*

---

### **NOTICE!**

**PLEASE DISPOSE OF USED BATTERIES RESPONSIBLY, ACCORDING TO YOUR LOCAL HAZARDOUS MATERIALS REGULATIONS. NEVER THROW AWAY USED BATTERIES IN YOUR HOUSEHOLD TRASH.**

---

Please dispose of your used batteries responsibly by recycling them. Call your local Solid Waste Management District or your local waste handler to locate the collection site nearest you. Some collection sites recycle batteries year-round; others collect them periodically.

You can also visit the Web site of Earth 911 for more information [[www.earth911.org](http://www.earth911.org)]. Once there, click the Municipal HHW link under Hazardous Household Waste, and enter your zip code. The site lists recycling centers located near you.

For a fee, you can recycle your batteries with the International Metals Reclamation Company. Visit them at [www.inmetco.com](http://www.inmetco.com) and click Services; or contact them at:

INMETCO  
PO Box 720  
245 Portersville Road  
Ellwood City, PA 16117  
(724) 758-2825; fax (724) 758-2845

To learn more about hazardous waste recycling, visit the Web site for Battery Council International [[www.batterycouncil.org](http://www.batterycouncil.org)] or for the Environmental Protection Agency [[www.epa.gov](http://www.epa.gov)].



## OPERATING YOUR NEUTON GARDEN CART

The NEUTON Garden Cart moves forward at two different speeds, and backwards (reverse) at one speed. You control speed and direction with the switches on the controls caddy.

### **! WARNING!**

- NEVER ALLOW ANYONE TO OPERATE THE GARDEN CART WITHOUT COMPLETE KNOWLEDGE OF ALL CONTROLS AND THEIR USE.
- NEVER CARRY PASSENGERS.
- DO NOT EXCEED THE MAXIMUM RECOMMENDED LOAD OF 200 POUNDS (90 KILOGRAMS) ON FLAT GROUND AND 150 POUNDS (68 KILOGRAMS) ON SLOPES. OVERLOADING MAY BE DANGEROUS AND CAUSE PERMANENT DAMAGE TO THE CART.
- ALWAYS DISPERSE THE LOAD EVENLY IN THE BUCKET.
- ALWAYS CHECK FOR OBJECTS IN THE CART'S PATH BEFORE MOVING.
- DO NOT PARK THE CART ON HILLS OR STEEP SLOPES.

### *Understanding the Control Switches*

POWERPAD

REVERSE SAFETY

FAST FORWARD (FRONT)



FORWARD (MIDDLE)



REVERSE (BACK)



Figure 10. The switches and buttons on the controls caddy.

Fast Forward moves the Cart about 2 miles per hour. Forward and Reverse move the Cart about 1 mile per hour.

---

**! NOTICE!**

**YOU ARE RESPONSIBLE FOR CONTROLLING AND STEERING THE CART ONCE IT IS MOVING. GRASP THE FOAM-COVERED HANDLE SECURELY BEFORE MOVING. MAKE SURE YOU ARE READY TO MOVE WITH THE CART BEFORE PRESSING THE POWERPAD. KEEP A FIRM GRIP ON THE HANDLE ONCE YOU ARE MOVING.**

---

### ***Loading Your Cart***

Load your Cart carefully; disperse the load evenly across the bucket. The bucket holds about 5 cubic feet (142 liters) and can take up to 200 pounds (90 kilograms). When moving up and down hills, limit your load to no more than 150 pounds (68 kilograms). If you think you are carrying too much, err on the safe side; remove some material from your Cart.

---

**! NOTICE!**

- **AVOID DAMAGING YOUR CART'S GEARS. ALWAYS MAKE SURE YOUR CART IS COMPLETELY STOPPED BEFORE CHANGING DIRECTION OR SPEED.**
  - **CHARGE YOUR BATTERY FULLY BEFORE USING YOUR CART.**
- 

### ***Moving Forward Fast***

To move forward fast:

1. Set the Direction Toggle to Fast Forward, it's front switch position.
2. Press the PowerPad.

### ***Moving Forward Slowly***

To move forward slowly:

1. Set the Direction Toggle to Forward, it's the middle switch position.
2. Press the PowerPad.



*Figure 11. Moving forward.*

## Moving Backward

---

### **! WARNING!**

WHEN MOVING IN REVERSE, BE READY FOR THE CART TO LURCH TOWARDS YOU AND GET IMMEDIATELY UP TO SPEED. BE CAREFUL; STEP BACK AND BE PREPARED TO WALK BACKWARDS. CONSIDER STANDING TO THE SIDE OF THE CART UNTIL YOU GET USED TO MOVING BACKWARDS.

---

To move backwards (in reverse):

1. Set the Direction Toggle to Reverse, it's the backward switch position.
2. Press and hold the Reverse Safety Button.
3. Press the PowerPad.

Move in reverse only for short distances. If you have a long distance to travel, turn your Cart around and go forward.



Figure 12. Moving backwards, the Direction Toggle set to Reverse and the Reverse Safety Button pressed down.

## Stopping

To stop when moving forward or backwards:

1. Release the PowerPad.

---

### **! NOTICE!**

THE NEUTON GARDEN CART DOES NOT HAVE A BRAKING SYSTEM. INSTEAD, TO STOP YOUR CART, YOU SIMPLY RELEASE THE POWERPAD. BECAUSE OF ITS MOMENTUM, YOUR CART MIGHT CONTINUE TO MOVE A BIT AFTER YOU RELEASE THE POWERPAD. DON'T LET GO OF THE HANDLE UNTIL YOUR CART STOPS COMPLETELY. PARK YOUR CART IN A LEVEL AREA SO IT DOESN'T ROLL AWAY.

---



---

## CARING FOR YOUR NEUTON GARDEN CART

Like any machine, maintaining your Cart ensures its best performance and extends its life. Follow these procedures to keep your Cart working at peak efficiency.

- Check all screws and nuts regularly; tighten them as needed. Regularly check the plastic parts for cracks or broken pieces.
- Periodically check the tire pressure on all three tires. Keep the tire pressure between 28 and 30 pounds per square inch (psi). The Garden Cart's tire valves work like those on bicycle tires. To add air, remove the cap and push the air hose or pump fitting onto the end of the valve stem. To remove air, depress the pin in the center of the valve stem.



**NEVER OVER INFLATE THE TIRES. IF YOU OVER INFLATE THE TIRES, YOU COULD CAUSE THEM TO EXPLODE RESULTING IN SEVERE INJURY.**

---

- Try not to use your Cart when it's wet or snowy. And do not spray the electrical areas of your Cart with a hose. Water and moisture in the motors and electrical switches can cause them to corrode, which then causes them to fail. Remember, this is an electrical machine!
- That said; you can still hose off your Cart. Just be careful not to spray water directly on the Controls Caddy or through the battery door.
- Wash your Cart using a mild automotive type detergent and water with a soft brush or rag. Do not use any alkaline-based soaps or pressure wash your Cart.

### ***Storing Your Garden Cart***

- Your Cart stores neatly away tipped up on its nose. When you store your Cart, follow these important guidelines to help ensure your Cart's best performance when you use it again.
- Store your Cart inside or under a protective cover (such as the Garden Cart's Soft Cover).
- Charge the battery before storing your Cart. In temperatures lower than 40° F (5° C), the battery maintains a charge for about 60 days. If you store your Cart for extended periods of time, periodically recharge the battery. Once a month is a good rule of thumb.
- Always store your Cart in an environment where the temperature is between -10° F (-23° C) and +85° F (+23° C). Make sure the storage temperatures will never be outside these limits.
- Store your Cart in a dry environment. Water will damage your Cart and the battery.
- Do not store your Cart near chemicals (such as fertilizers), or organic or other solvents. These products are often highly corrosive and may cause permanent damage to your Cart.
- Do not store your Cart close to a source of heat, sparks, or open flames.



## OPTIONAL ACCESSORIES

These accessories customize your Cart, making your yard work even easier.

To order, visit us at [www.chp.com](http://www.chp.com) or call 1-800-687-6575.

### Leaf Catcher

The Leaf Catcher (**Figure 13**) easily holds and hauls yard debris. This reusable nylon mesh bag holds over 20 cubic feet (600 liters) of garden debris. When it's filled, you can tighten its cord to cinch down the contents keeping it from blowing around in the wind. The Leaf Catcher is easy to attach and remove from your Cart. (**part number 207221**)



Figure 14. Leaf Catcher

### Side Rails

The Side Rails (**Figure 14**) help your Cart haul larger loads. These rugged, removable rails are ideal for moving large bags of material, firewood, bales of hay, and other oversized loads. The Side Rails install quickly with easy-locking clips. (**part number 207211**)



Figure 15. Side Rails

### Soft Cover

The Soft Cover (**Figure 15**) easily and efficiently covers your Cart. It protects your Cart and its contents from the elements. Made of durable, reinforced weatherproof vinyl, its elasticized bottom holds securely in place over your entire Cart. (**part number 207231**)

### Accessory Pack

Or get them all at once, plus a NEUTON signature water bottle (**Figure 16**). The NEUTON Garden Cart Accessory Pack includes the Leaf Catcher, the Side Rails, the Soft Cover, and the water bottle. (**part number 207391**)



Figure 17. NEUTON Water Bottle



Figure 16. Soft Cover





# TROUBLESHOOTING

Most problems are easy to fix. Consult the troubleshooting table for common problems and their solutions. If you continue to experience problems, call us at **1-866-NEUTON1 (638-8661)** for help.

## *Troubleshooting Table*

<b>SYMPTOM</b>	<b>POSSIBLE CAUSE</b>
<i>Cart does not run.</i>	<ul style="list-style-type: none"> <li>⇒ The battery could be undercharged. Recharge the battery after each use. Make sure the cables are attached to the battery’s terminals. Make sure that the charger is properly plugged in to your Cart and that the charger is plugged into the wall. Make sure that there is power to the wall outlet you are using to charge the battery.</li> <li>⇒ The charger might not be working. Use a voltage meter to test it (there is no other sure way to tell if your charger is working). If you suspect there is a problem with your charger, contact us at <b>1-866-NEUTON1 (638-8661)</b>.</li> <li>⇒ The safety fuse could be tripped. Each Cart has a built-in safety fuse. A fuse may “trip” and shut down your Cart if your Cart is overloaded or if the conditions are too severe. The fuse automatically resets itself after approximately 5 seconds, after which you can use your Cart. To avoid the fuse from continuously tripping, do not overload your Cart (by exceeding the weight limits), do not drive up extremely steep hills, and do not run into fixed objects (which can cause the wheels to stop spinning while power is still being supplied to the motors). If the fuse continually trip under normal working conditions, contact us at <b>1-866-NEUTON1 (638-8661)</b>.</li> <li>⇒ Check all wires and connectors; they could be loose. Make sure the battery connectors are secure and the wire harness connection is snug.</li> <li>⇒ If the battery is old or not cared for properly, it might be dead. If you are not sure that you have a dead battery, you can have it tested at a local battery supplier.</li> <li>⇒ The electrical switches might be damaged or corroded because they were exposed to water or moisture, or they can simply wear down from extensive use. Contact us at <b>1-866-NEUTON1 (638-8661)</b> and we’ll help you diagnose and repair the problem.</li> <li>⇒ The motor might be damaged. Contact us at <b>1-866-NEUTON1 (638-8661)</b> and we’ll help you diagnose and repair the problem.</li> </ul>
<i>The Cart was running but suddenly stopped.</i>	<ul style="list-style-type: none"> <li>⇒ Check all wires and connectors; they could be loose. Make sure the battery connectors are secure and the wire harness connection is snug.</li> <li>⇒ The safety fuse could be tripped. Each Cart has a built-in safety fuse. A fuse may “trip” and shut down your Cart if your Cart is overloaded or if the conditions are too serve. The fuse automatically resets itself after approximately 5 seconds, after which you can use your Cart. To avoid the fuse from continuously tripping, do not overload your Cart (by exceeding the weight limits), do not drive up extremely steep hills, and do not run into fixed objects (which can cause the wheels to stop spinning while power is still being supplied to the motors). If the fuse continually trips under normal working conditions, contact us at <b>1-866-NEUTON1 (638-8661)</b>.</li> </ul>

<b>SYMPTOM</b>	<b>POSSIBLE CAUSE</b>
<i>The Cart run time is less than a half hour of continuous use.</i>	<ul style="list-style-type: none"> <li>⇒ The battery could be under charged. Recharge the battery after each use. Make sure that the charger is properly plugged into your Cart and that the charger is plugged into the wall outlet. Make sure that there is power at the wall outlet that you are using to charge the battery.</li> <li>⇒ The battery is old and does not accept full charge. Even with proper care, a rechargeable battery does not last forever. The average battery lasts from 6 months to 3 years depending on how you use your Cart and the conditions under which you operate. Replace the battery with a new 12 Volt rechargeable battery available directly from Country Home Products, Inc.</li> <li>⇒ The safety fuse could be tripped. Each Cart has a built-in safety fuse. A fuse may “trip” and shut down your Cart if your Cart is overloaded or if the conditions are too severe. The fuse automatically resets itself after approximately 5 seconds, after which you can use your Cart. To avoid the fuse from continuously tripping, do not overload your Cart (by exceeding the weight limits), do not drive up extremely steep hills, and do not run into fixed objects (which can cause the wheels to stop spinning while power is still being supplied to the motors). If the fuse continually trips under normal working conditions, contact us at <b>1-866-NEUTON1 (638-8661)</b>.</li> </ul>
<i>The Cart runs sluggishly.</i>	<ul style="list-style-type: none"> <li>⇒ The battery could be under charged. Recharge the battery after each use. Make sure that the charger is properly plugged into your Cart and that the charger is plugged into the wall outlet. Make sure that there is power at the wall outlet that you are using to charge the battery.</li> <li>⇒ If you have been using your Cart for a long time, the battery probably needs charging.</li> <li>⇒ The battery is old and does not accept full charge. Even with proper care, a rechargeable battery does not last forever. The average battery lasts from 6 months to 3 years depending on how you use your Cart and the conditions under which you operate. Replace the battery with a new 12 Volt rechargeable battery available directly from Country Home Products, Inc.</li> <li>⇒ The conditions are too stressful for your Cart. The Cart is intended for residential use. If slopes are too steep or the terrain too bumpy, your Cart might experience a noticeable decrease in performance. You’ll have to charge the battery more often.</li> </ul>
<i>Sometimes the Cart runs, but other times it does not.</i>	<ul style="list-style-type: none"> <li>⇒ Check all wires and connectors; they could be loose. Make sure the battery connectors are secure and the wire harness connection is snug.</li> <li>⇒ The electrical switches might be damaged or corroded because they were exposed to water or moisture, or they simply wore down from extensive use. Contact us at <b>1-866-NEUTON1 (638-8661)</b> and we’ll help you diagnose and repair the problem.</li> </ul>
<i>Loud clacking or grinding noise from the gearbox.</i>	<ul style="list-style-type: none"> <li>⇒ The motor’s gears are broken. Contact us at <b>1-866-NEUTON1 (638-8661)</b> and we’ll help you diagnose and repair the problem.</li> </ul>
<i>The charger gets warm during use.</i>	<ul style="list-style-type: none"> <li>⇒ There is no reason for concern. Some chargers normally get warm when they are charging. If, on the other hand, your charger does not get warm when charging, it does not necessarily mean that it is not working properly.</li> </ul>

<b>SYMPTOM</b>	<b>POSSIBLE CAUSE</b>
<i>The battery makes a sizzling or gurgling sound when charging.</i>	⇒ There is no reason for concern. Some batteries normally make noise and swell slightly while charging. If, on the other hand, the battery does not make noise or swell slightly during charging, it does not necessarily mean that it is not accepting the charge.

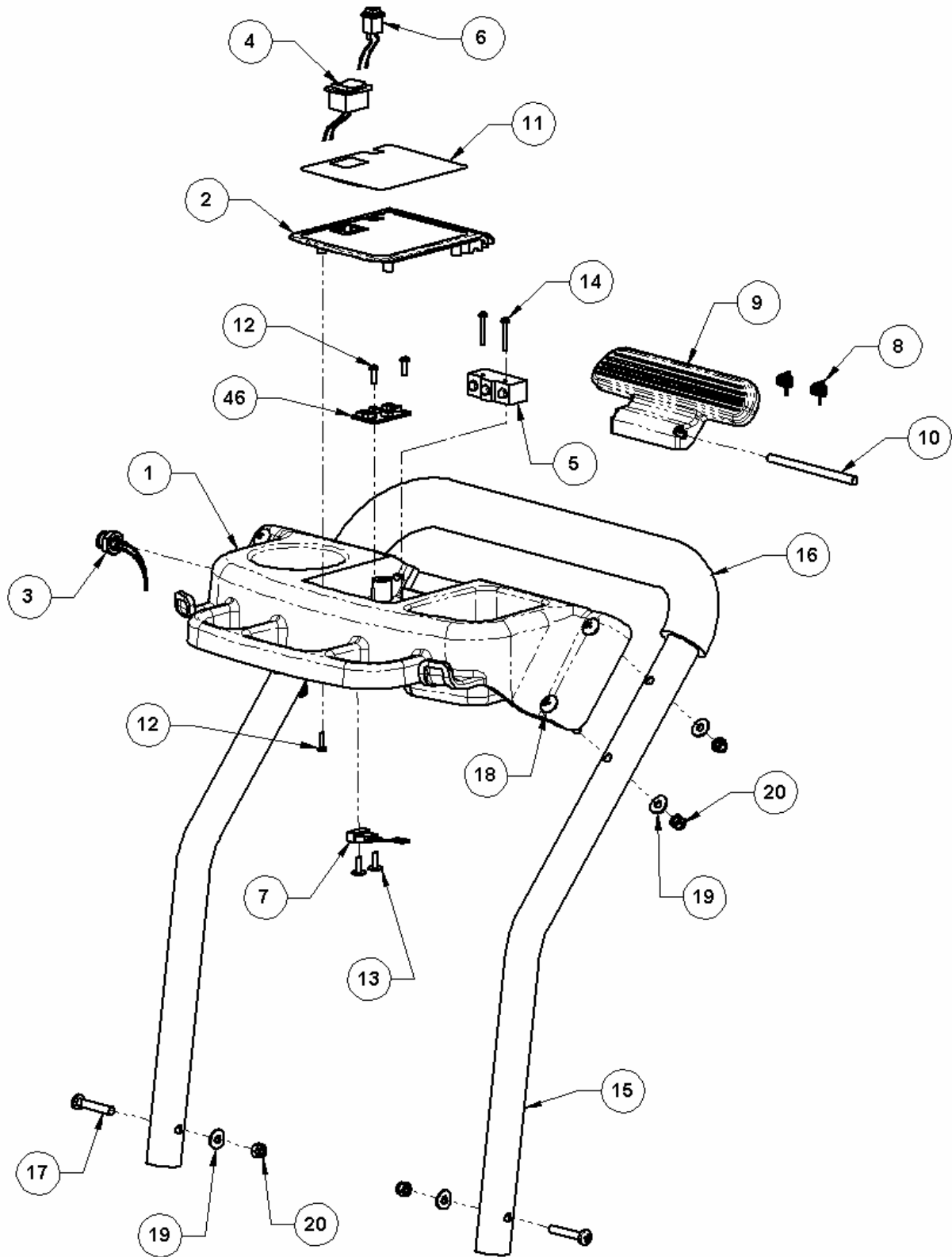
---

**PARTS LISTS, SCHEMATIC DIAGRAMS AND WARRANTY**
**Parts List - Handlebar Tray Assembly**

**NOTE:** Part numbers listed are available through Country Home Products, Inc.

<b>Ref#</b>	<b>Part#</b>	<b>Description</b>
	211261	Handlebar Tray Assembly (includes items 1-14 and 46)
1	211081	Tray, Handlebar
2	211111	Control Panel
3	211121	Charger Adapter w/ Wire Connections
4	211131	Speed Switch w/ Wire Connections
5	209791	Actuator Switch, Omron
6	211141	Reverse Safety Switch w/ Wire Connections
7	211281	Wire Harness, Control Jumper
8	211101	Spring, Torsion, Lever
9	209841	Lever, Switch Actuator
10	211091	Rod, Actuation Lever
11	208311	Label, Control Panel
12	210961	Screw, M3.5 x 12 mm, Phillips Pan
13	210971	Screw, M3.5 x 12 mm, Phillips Pan Washer
14	210981	Screw, M3.5 x 25 mm, Phillips Pan
	207291	Upper Handlebar & Grip Assembly (includes 15 and 16)
15	211071	Upper Handlebar
16	209801	Grip, Foam, 23 mm ID x 34 mm OD
17	210941	Screw, 1/4"-20 x 1-1/2", Phillips Pan, SS
18	210951	Screw, 1/4"-20 x 1-3/4", Phillips Truss, SS
19	211031	Washer, Flat, .255" ID x .63" OD x .06"
20	211041	Nut, Nylon Lock, 1/4"-20
21	207321	Battery Charger, NEUTON GARDEN CART (not shown)
46	211791	Connector PCB, Wiring
48	211821	Zip Tie, .15" Wide, Black (not shown)

# Schematic- Handlebar Tray Assembly



## Parts List - Bucket Assembly

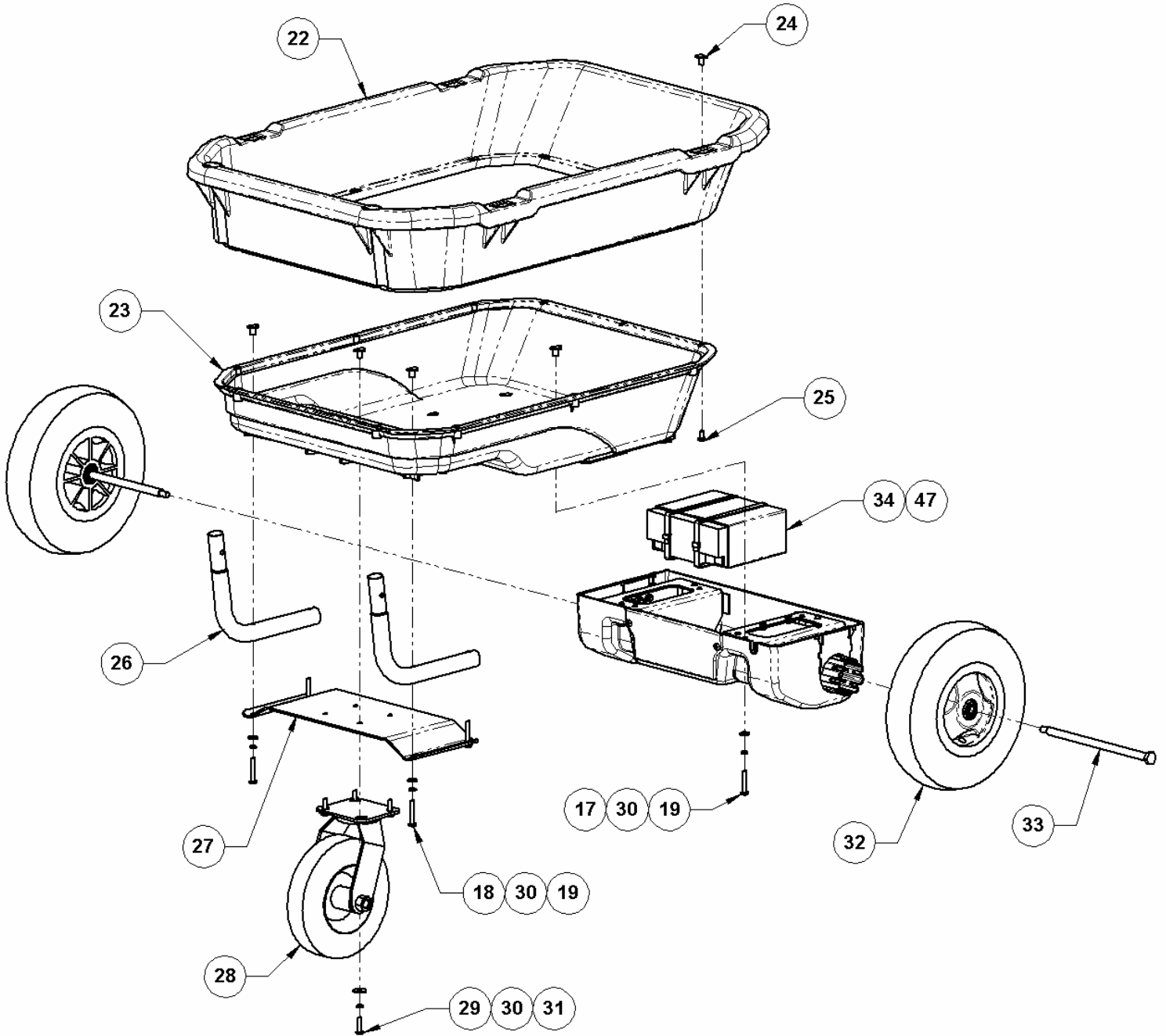
**NOTE:** Part numbers listed are available through Country Home Products, Inc.

<u>Ref#</u>	<u>Part#</u>	<u>Description</u>
17	210941	Screw, 1/4"-20 x 1-1/2", Phillips Pan, SS
18	210951	Screw, 1/4"-20 x 1-5/8", Phillips Pan, SS
19	211031	Washer, Flat, .255" ID x .63" OD x .06"
22	207241	Upper Bucket
23	209751	Lower Bucket
24	211051	T-Nut, 1/4"-20 x .60" High
25	210921	Screw, 1/4"-20 x 1/2", Phillips Pan, SS
26	209811	Lower Handle
27	209821	Plate, Handlebar Mount
28	207281	Wheel Assembly, Caster
29	210931	Screw, 1/4"-20 x 1", Phillips Pan, SS
30	211001	Washer, Lock, .255" ID x .41" OD x .08", Split
31	211021	Washer, Flat, .255" ID x .87" OD x .08"
32	207271	Wheel, 10" Diameter w/ Bearings
33	208401	Bolt, M9 x 12.6 mm Shoulder x 250 mm Long
34	104831	Battery, 12V w/ Screw Terminals
47	211801	Zip Tie, .39" Wide

### Safety and Information Labels (not shown)

	210531	NEUTON Logo
11	208311	Control Panel
	208321	Operating/Warning
	209761	Serial Number CEC
	211171	Battery Charger Warning

# Schematic - Bucket Assembly



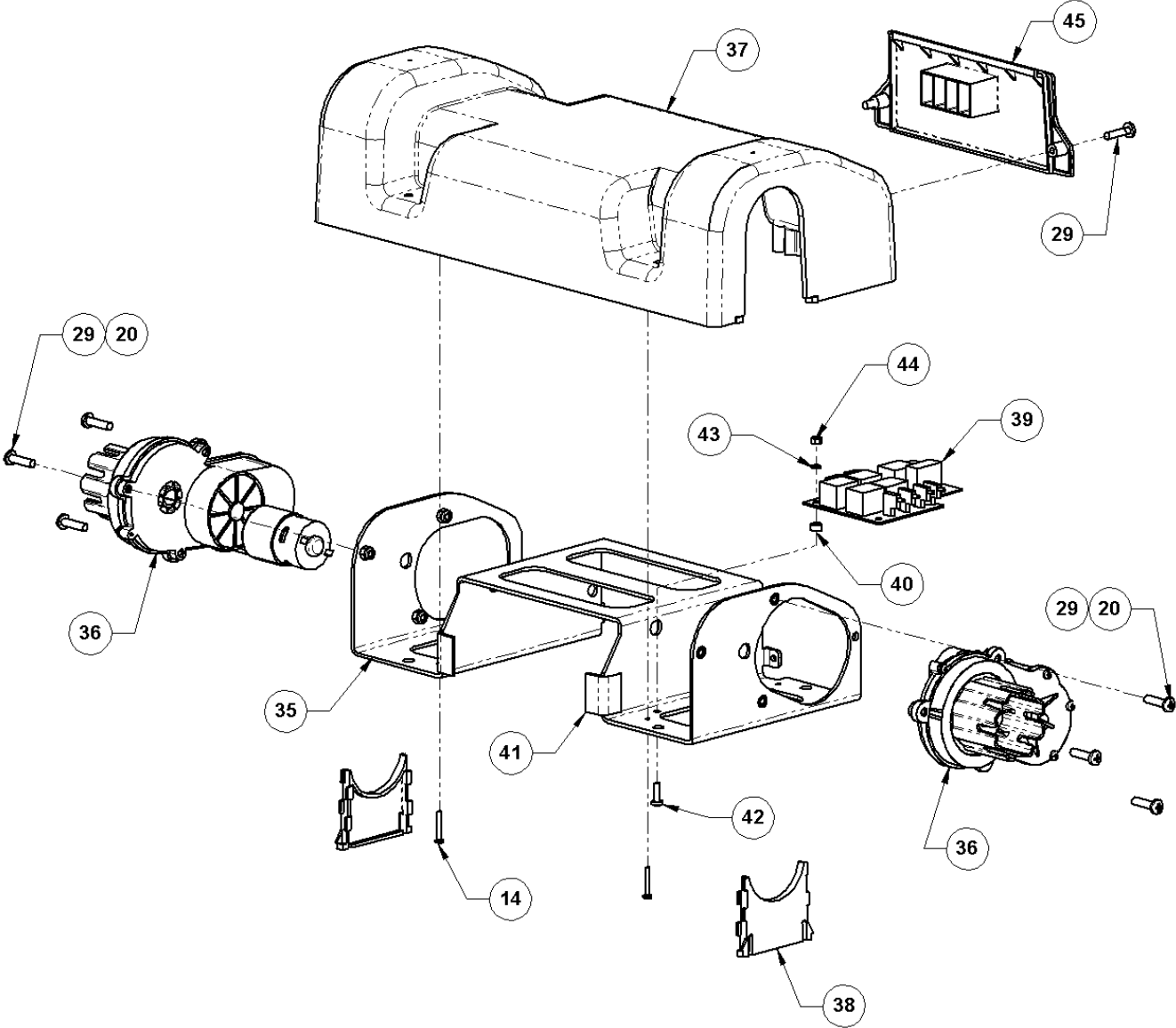
## **Parts List - Drivetrain Assembly**

**NOTE:** Part numbers listed are available through Country Home Products, Inc.

<b>Ref#</b>	<b>Part#</b>	<b>Description</b>
	211251	Drivetrain Assembly (includes all items below)
14	210981	Screw, M3.5 x 25 mm, Phillips Pan
20	211041	Nut, Nylon Lock, 1/4"-20
29	210931	Screw, 1/4"-20 x 1", Phillips Pan, SS
35	209831	Frame, Drivetrain
36	209861	Motor/Gearbox Assembly
37	209851	Cover, Drivetrain
38	211181	Cap, Drivetrain Cover
39	211151	PCB Assembly with Wire Harness
40	209781	Spacer, PCB Mount
41	211161	Pad, 1.3" x 1.6" x .12", Harness
42	210991	Screw, M5 x 16 mm, Phillips Pan
43	211011	Washer, Lock, .20" ID x .30" OD x .05", Split
44	211061	Nut, M5 x 6 mm, Hex
45	207311	Battery Door



# Schematic - Bucket Assembly



**NOTES:**

## 2-Year Limited Warranty

### Terms and Conditions

The NEUTON® Garden Cart is warranted for two (2) years against defects in materials and workmanship when put to personal residential household use.

For the purposes of this warranty, “personal residential household use” refers to non-commercial residential use and further excludes misuse, accidents, or damage due to inadequate maintenance.

Country Home Products®, Inc. certifies that the NEUTON® Garden Cart is fit for ordinary purposes for which a product of this type is used. Country Home Products, Inc. however, limits the implied warranties of merchantability and fitness in duration to a period of two (2) years in personal residential household use.

The Limited Two-Year Warranty on the NEUTON® Garden Cart starts on the date the machine ships from our factory. The Limited Two-Year Warranty is applicable only to the original owner.

The warranty holder is responsible for the performance of the required maintenance as defined by the manufacturer's owner's manuals.

The warranty holder is responsible for replacement of normally wearing parts including batteries.

Attachments and accessories to the machine are not covered by this warranty.

During the warranty period, the warranty holder is responsible for any shipping and transportation charges, if required.

SOME STATES DO NOT ALLOW LIMITATIONS ON THE LENGTH OF IMPLIED WARRANTIES, SO THE ABOVE LIMITATIONS MAY NOT APPLY TO YOU.

Country Home Products®, Inc. shall not be liable under any circumstances for any **incidental or consequential damages or expenses** of any kind, including, but not limited to, cost of equipment rentals, loss of profit, or cost of hiring services to perform tasks normally performed by the NEUTON® Garden Cart.

SOME STATES DO NOT ALLOW THE EXCLUSION OR LIMITATION OF INCIDENTAL OR CONSEQUENTIAL DAMAGES, SO THE ABOVE LIMITATIONS MAY NOT APPLY TO YOU.

### Customer Service Hotline

Country Home Products®, Inc.'s objective is to have 100% satisfied customers. For that reason, we operate a six-day-per-week Technical Support Department for our NEUTON owners. You can access to a Representative by dialing our **Toll-Free Hotline at 1-866-NEUTON1 (638-8661)**. The sole job of our well-trained and friendly folks is to ensure that you get any help you need in a timely fashion. They are there to answer all your questions including (1) inquiries on any of the above warranties, (2) inquiries about replacement parts, or (3) your questions regarding service, maintenance, and operation.

THIS WARRANTY GIVES YOU SPECIFIC LEGAL RIGHTS, AND YOU ALSO HAVE OTHER RIGHTS, WHICH VARY FROM STATE TO STATE.



COUNTRY HOME PRODUCTS®, Inc.

---

**MEIGS ROAD, P.O. BOX 25, VERGENNES, VERMONT 05491**

---

1-866-NEUTON1 (638-8661) • [WWW.NEUTONOWNERS.COM](http://WWW.NEUTONOWNERS.COM)

©2005 CHP, INC. 208341 C