



Russell Hobbs

20 Litre microwave oven
User manual



Model number: RHM2080BR

Important safety instructions , please read carefully and keep them for future reference

For Customer Services & Spare Parts please call **0845 209 7461**

Opening times: Monday - Friday 9am – 5pm & Saturday 9am – 1pm or visit us at www.productcareuk.com

Contents

	Page
About this microwave oven.....	2
Unpacking your microwave oven.....	3
Safety instructions.....	4
Microwave oven installation.....	9
Feature diagram.....	10
Turn table installation.....	11
Control panel.....	12
How to use your microwave oven.....	13
Timer and child safety lock.....	19
Cleaning and care.....	20
Important utensil information.....	22
Connection to the mains supply.....	23
Problem solving.....	26
Guarantee.....	27
Technical specification.....	28
Spare parts.....	29

For Customer Services & Spare Parts please call **0845 209 7461**

Opening times: Monday - Friday 9am – 5pm & Saturday 9am – 1pm or visit us at www.productcareuk.com

About this microwave oven

Microwaves are high-frequency electromagnetic waves similar to radio waves. While radio waves may vary in length from one metre to many kilometres, microwaves are very short (less than 12.5 centimetres). Microwaves do not make any heat themselves but only cause water molecules in food to vibrate. This vibration produces heat that cooks the food. This is why your food will come out of the microwave piping hot, when your utensils inside the oven stay much cooler. The microwaves do not stay in the air or in the food when you open the microwave oven door.

The microwave oven will work using an ordinary household electrical socket. Inside the microwave oven is the magnetron, which turns the electrical energy into microwaves. Microwaves cannot go through metal, so the inside of the oven is lined with metal. The door is lined with a fine metal mesh which stops microwaves getting through. This means that when the microwave oven door is shut, there is no possibility that microwaves can be released. This is why the microwave oven has been made so that it will not work when the door is open.

For Customer Services & Spare Parts please call **0845 209 7461**

Opening times: Monday - Friday 9am – 5pm & Saturday 9am – 1pm or visit us at **www.productcareuk.com**

Unpacking your microwave oven

Before you use your microwave oven

1. Remove all the packaging. **Do not** remove the small piece of card from the right hand side of the cavity wall. This is called a wave-guide cover and allows the microwaves to pass through to cook the food. **Please ensure you keep this cover clean at all time.**

2. Check the oven after unpacking for any visual damage such as:

- A misaligned door
- Damage to the door
- Dents or holes in the door window and screen
- Dents in the inside
- If you can see any damage **do not use the oven**

This microwave oven weighs approximately 12.5kg so you must put it on a horizontal surface that is strong enough to support this weight.

The oven must be placed away from high temperatures and steam.

Do not put anything on the top of the microwave oven.

For Customer Services & Spare Parts please call **0845 209 7461**

Opening times: Monday - Friday 9am – 5pm & Saturday 9am – 1pm or visit us at **www.productcareuk.com**

Safety instructions

Do not use the oven for any reason other than preparing food, such as for drying clothes, paper or any other non-food items, or for sterilising purposes.

- Do not use the oven when it is empty. This could damage the oven.
- Do not store anything in the oven, such as papers, cookbooks and so on.
- Do not cook any food surrounded by a membrane, such as egg yolks, potatoes, chicken livers, ready meals and so on without piercing them several times with a fork.
- Never put any objects into the openings on the outer case.
- Never remove parts from the oven such as the feet, screws and so on.
- You should use microwave utensils only in line with these instructions.
- Do not try to deep-fry foods in this oven.
- Only use the accessories supplied by the manufacturer

For Customer Services & Spare Parts please call **0845 209 7461**

Opening times: Monday - Friday 9am – 5pm & Saturday 9am – 1pm or visit us at **www.productcareuk.com**

Safety instructions

- Heat from the contents of a container may be transmitted to the container itself, so please be careful when removing it from the oven. Please remember that the food or liquid inside will be releasing some steam or will be spitting. Never cover any container fully, always leave a gap for steam to escape.
- Cooking utensils may become hot because of heat transferred from the heated food. This is especially true if plastic wrap has been covering the top and handles of the utensil. You may need oven gloves to handle the utensil.
- The contents of feeding bottles and baby food jars shall be stirred or shaken and the temperature checked before consumption, in order to avoid burns.
- Always test the temperature of cooked food, never eat or drink food or liquid straight from the oven, allow it to stand for a few minutes and stir to distribute the heat evenly.

For Customer Services & Spare Parts please call **0845 209 7461**

Opening times: Monday - Friday 9am – 5pm & Saturday 9am – 1pm or visit us at **www.productcareuk.com**

Safety instructions

- Food containing a mixture of fat and water (for example, stock) should stand for 30 to 60 seconds in the oven after it has been turned off. This is to allow the mixture to settle and to prevent it from bubbling when a spoon is placed in it, or a stock cube is added.
- When heating or cooking food or liquid, remember that there are certain foods (such as Christmas puddings, jam and mincemeat) which heat up very quickly.
- When heating or cooking foods that contain a lot of fat or sugar, do not use plastic containers.
- Always have the glass tray and turntable support in place when using the oven.
- Never remove parts from the oven such as the feet, screws and so on.
- Do not cook food directly on the glass tray. Put food on a suitable plate or in a bowl before putting it in the oven.

For Customer Services & Spare Parts please call **0845 209 7461**

Opening times: Monday - Friday 9am – 5pm & Saturday 9am – 1pm or visit us at **www.productcareuk.com**

Safety instructions

To reduce the risk of fire in the oven cavity:

- Do not overcook food.
- Do not leave the microwave oven unattended while you are using it and if using paper or plastic containers check regularly to ensure they do not ignite.
- Remove wire twist-ties from bags before putting the bag in the oven.
- If materials inside the oven smoke or catch fire, keep the oven door closed to stifle the flames, turn the oven off at the wall switch, or shut the power off at the fuse or circuit-breaker panel.
- If the supply cord is damaged, it must be replaced by the manufacturer, its service agent or similarly qualified persons in order to avoid a hazard.

Warning: Children should not use this microwave oven.

Warning: This appliance is not intended for use by persons (including children) with reduced physical, sensory or mental capabilities, or lack of experience and knowledge, unless they have been given supervision or instruction concerning use of the appliance by a person responsible for their safety. Children should be supervised to make sure that they do not play with the appliance.

Safety instructions

Warning: it is hazardous for anyone other than a competent person to carry out any service or repair operation which involves the removal of a cover which gives protection against exposure to microwave energy.

Warning: if the door or door seals are damaged, the oven must not be operated until it has been repaired by a competent person. The door seals are located around the window on the inside of the door. These seals are not airtight, although no microwaves can be released, it is normal for small amounts of air or steam to escape when the oven is in use.

Warning: Liquids and other foods must not be heated in sealed containers as they are liable to explode.

Warning: do not use the microwave when it is empty.

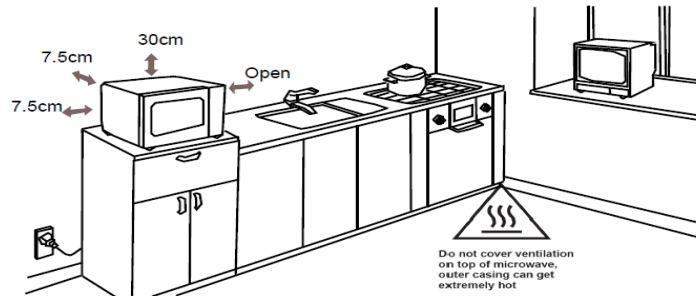
For Customer Services & Spare Parts please call **0845 209 7461**

Opening times: Monday - Friday 9am – 5pm & Saturday 9am – 1pm or visit us at **www.productcareuk.com**

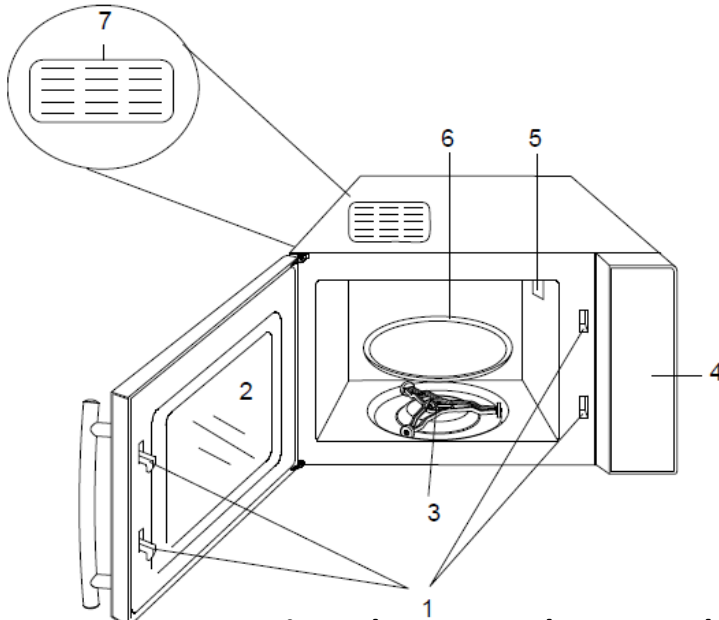
Microwave oven installation

- Select a level surface that provides enough space for the outlet vents.
- A minimum clearance of 7.5cm is required between the oven and any adjacent walls. One side must be open. Leave a minimum clearance of 30cm above the oven.
- Place the oven as far away from radios and TV's as possible. Using the oven may cause interference with the reception.
- Plug the oven into a suitable 13 amp mains socket, make sure the voltage is the same as on the rating label (do not use extension cables or mains socket adaptors).

Warning: do not install the oven over a cooker or other heat producing appliance. This will damage the oven.



Feature Diagram



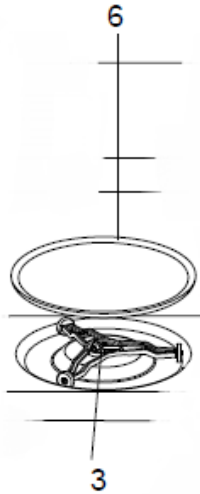
1. Door Safety Lock System
2. Oven Window
3. Turntable Ring Assembly
4. Control Panel
5. Wave Guide
6. Glass Turntable
7. Venting on the top at the back and on the side.

**Warning - do not use the oven when empty or for warming plates.
Always keep the oven cavity, door assembly and waveguide cover clean**

For Customer Services & Spare Parts please call **0845 209 7461**

Opening times: Monday - Friday 9am – 5pm & Saturday 9am – 1pm or visit us at www.productcareuk.com

Turn table installation



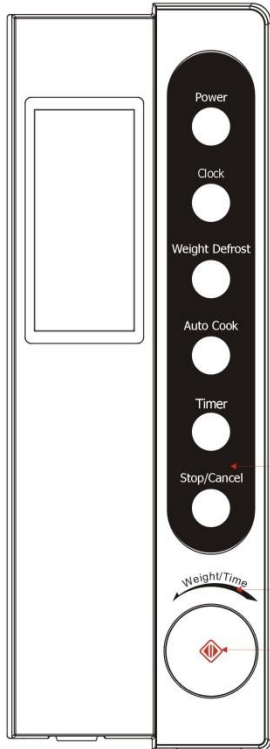
Turntable ring assembly

- Before first use, check that any securing tape has been removed from the glass tray and turntable ring assembly. These parts must never be restricted from rotating.
- Never place the glass tray upside down.
- Both the glass tray and turntable ring assembly must always be used during cooking.
- Do not place the food directly onto the glass tray, always place on or in suitable microwaveable cookware.
- If the glass tray or turntable ring assembly has been damaged in anyway, please contact the spares helpline number detailed on the back of this instruction manual.

For Customer Services & Spare Parts please call **0845 209 7461**

Opening times: Monday - Friday 9am – 5pm & Saturday 9am – 1pm or visit us at **www.productcareuk.com**

Control panel



DISPLAY (THROUGH THE DOOR) Cooking time, power, action indicators, and clock time are displayed.

POWER Press this button a number of times to set a cooking power level.

CLOCK Press to set the time.

WEIGHT DEFROST Press to choose the defrost function.

AUTO COOK Press this button for easy cooking menus.

TIMER Press this button to set the kitchen timer.

STOP/CANCEL Press to cancel a setting or reset the oven before setting a cooking program. Press once to pause a cooking program and twice to cancel a cooking program.

WEIGHT/TIME Turn to input a cooking time. Select the weight of the food you want to cook from the Auto menu.

START (IN THE MIDDLE OF THE WEIGHT/TIME DIAL) Turn to input a cooking time. Select the weight of the food you want to cook from the Auto menu.

DOOR The door is opened by pulling the handle.

How to use the microwave oven

Connect the main plug into a suitable 13 amp mains socket, make sure the voltage is the same as on the rating label (do not use extension cables or mains socket adaptors). The microwave oven will beep once and the display will show the clock symbol and '1:01'.

During any cooking program, to pause cooking, press the 'Stop/Cancel' button. To stop the cooking, press the 'Stop/cancel' button again.

Setting the clock (12 or 24 hour)

Before setting a cooking program the clock needs to be set. With the oven ready for input, touch the CLOCK button once or twice to set the digital clock in 12 or 24 hours cycle. For example, if you want to set the time to 8:30.

- 1) Press the 'Clock' button once or twice (12 or 24hr). The display will show '12H' and the clock symbol will be displayed.
- 2) Turn the 'Weight/Time' knob clockwise until the display shows '8:' the clock symbol will start to flash.
- 3) Press the 'Clock' button. The display will show '8:00' and the clock symbol will continue to flash.
- 4) Turn the 'Weight/Time' knob clockwise until the display shows '8:30'. Press the 'Clock' button to confirm. The clock is now set, the ':' symbol will continue to flash and the 'Clock' symbol will remain lit.

For Customer Services & Spare Parts please call **0845 209 7461**

Opening times: Monday - Friday 9am – 5pm & Saturday 9am – 1pm or visit us at www.productcareuk.com

Cooking

The longest cooking time is 60 minutes.

To cook with microwave power alone, press the 'POWER' button a number of times to select a cooking power level, and then use the 'WEIGHT/TIME' dial to set a desired cooking time. Press the 'START' button in the knob to start the cooking process.

Press power button	Cooking power
Once	100%
Twice	80%
3 times	60%
4 times	40%
5 times	20%
6 times	0

For example, suppose you want to cook something for 1 minute at 60% of microwave power.

Press the 'POWER' button 3 times.

Turn WEIGHT/TIME dial to 1:00.

Press START button at the centre of the knob.

For Customer Services & Spare Parts please call **0845 209 7461**

Opening times: Monday - Friday 9am – 5pm & Saturday 9am – 1pm or visit us at **www.productcareuk.com**

Cooking

Quick start cooking

This program allows you to cook food at 100% power. Place the food in a container suitable for use with microwave ovens and put it into the microwave oven.

1. Press the 'Start' knob a number of times. The microwave oven will automatically increase the time and start to cook your food.
2. When the food has finished cooking the oven will beep to let you know the cycle is complete.

For Customer Services & Spare Parts please call **0845 209 7461**

Opening times: Monday - Friday 9am – 5pm & Saturday 9am – 1pm or visit us at **www.productcareuk.com**

Cooking

Auto menus

There are 8 auto menus you can use for easy cooking. To access the menus, press the 'Auto Cook' button. For guide lines, please see the Auto menus chart on page 17.

1. Place the food in a container suitable for use with microwave ovens, and put it into the oven.
2. Choose the 'Auto Cook' menu you want by pressing the 'Auto Cook' button. The 'Auto' symbol will be displayed. Press the 'Auto Cook' button a number of times to choose your menu.
3. Turn the 'Weight/Time' knob to choose the weight. The display will show the weight in grams or amounts.
4. Press the 'Start' knob. The oven will now start to cook the food.
5. When the food has finished cooking the oven will beep to let you know the cycle is complete.

Please note: when using the Auto menus for weights and times, if food being cooked is between weights, please make sure that it is cooked thoroughly. It is advisable to stir and turn food where needed to ensure even cooking. Be sure to handle hot food with care.

Hints

Do not cook, reheat or defrost foods directly on the turntable, always put the food into a suitable microwave container. Do not cook foods such as meat from frozen, always defrost the foods first. Where appropriate cover dishes with microwave safe cling film and pierce, this will retain the moisture and prevent splashing and spillages. Always loosen lids before putting into the oven.

To distribute heat evenly, stir or shake foods halfway through cooking.

Cooking

Auto menu	Food	Recommendations
1	Milk/Coffee	Place the cup onto the center of the turntable. When the liquid has been removed from the oven, leave to stand before adding sugar.
2	Rice	Place the rice into a suitable container, cover with water.
3	Pasta	Place the pasta into a suitable container, cover with boiling water.
4	Potatoes	Prick the skins and place on a suitable plate. Turn the potatoes over halfway through the cooking time.
5	Auto reheat	Straight from the refrigerator.
6	Fish	Place the fish in a suitable container and cover with microwave safe cling film leaving a gap for the steam to escape.
7	Popcorn	Place in a microwave proof container, and make sure it is covered. Remove soon after the popping has stopped to avoid burning.
8	Pizza	Place the pizza on a suitable plate.

For Customer Services & Spare Parts please call **0845 209 7461**
Opening times: Monday - Friday 9am – 5pm & Saturday 9am – 1pm or visit us at www.productcareuk.com

Cooking

Weight Defrost (using the 'Weight/Time' knob)

Weight Defrost allows you to set the food weight and let the oven decide how long the food will take to defrost. You can defrost foods between 100g and 1800g. For example, to defrost '400g' of food.

The steps are as follows:

1. Place the food in a container suitable for use with microwave ovens and put it into the microwave oven.
2. Turn the 'Weight/Time' knob clockwise, until the display shows '400g'.

The 'Auto' and 'Defrost' symbol will light up and 'Power level' symbol will flash.

3. Press the 'Start' knob. The 'Auto' and defrost symbols will stay lit and the oven will now start to defrost the food.

Two-thirds through the defrosting time the oven will beep and pause. This is to allow you to turn over the food for even defrosting. Turn over or rearrange the food and press the 'Weight/Time' knob to resume defrosting. To defrost fatty meat, defrost intermittently until defrosted. Ice should be removed at all times.

4. When the food has finished cooking the oven will beep to let you know the cycle is complete

For Customer Services & Spare Parts please call **0845 209 7461**

Opening times: Monday - Friday 9am – 5pm & Saturday 9am – 1pm or visit us at **www.productcareuk.com**

Timer and child safety lock

Timer

The timer is used to set a countdown time for the convenience of the user, it can be used as a reminder.

1. Press the 'timer' button.
2. Turn the 'Weight/Time' knob to the length of time required.
3. Press the 'Start' knob. The timer will now start to count down (the oven will not operate during this time).
4. When the time is complete the oven will beep to let you know the countdown is complete.

Child safety lock This function is to prevent children from using the microwave oven.

To activate the child lock, press and hold the 'Lock/Unlock' button for 3 seconds. You will hear a beep and the lock symbol will be displayed.

To de-activate the child lock, press and hold the 'Lock/Unlock' button for 3 seconds. You will hear a beep and the lock symbol will disappear.

For Customer Services & Spare Parts please call **0845 209 7461**

Opening times: Monday - Friday 9am – 5pm & Saturday 9am – 1pm or visit us at **www.productcareuk.com**

Cleaning and care

- Before you clean the oven, turn it off and unplug it.
- Keep the inside of the oven clean. When food or liquids stick to the oven walls, wipe with a damp cloth. We recommend that you do not use harsh detergent or abrasives.
- On the right hand side wall of the cavity is the wave guide cover, microwaves are passed through this to enable your food to cook. It is important that this wave guide cover is kept clean at all times. To do this wipe with mild detergent and water, then dry.
- You should clean the outside of the oven with a damp cloth. Don't allow water to seep into the ventilation openings.
- Do not allow the control panel to become wet. Clean with a soft, damp cloth. Do not use detergents, abrasives or spray-on cleaners on the control panel.
- If steam builds up inside or around the outside of the oven door, wipe with a soft cloth. This may happen when the microwave oven is used in humid conditions.

For Customer Services & Spare Parts please call **0845 209 7461**

Opening times: Monday - Friday 9am – 5pm & Saturday 9am – 1pm or visit us at **www.productcareuk.com**

Cleaning and care

- Regularly remove the glass turntable to clean it, and wash it in warm soapy water.
- Regularly clean the turntable support and oven floor. Simply wipe the bottom surface of the oven with mild detergent and water, then dry. You can wash the turntable support in mild soapy water.
- When removing the turntable support of the oven, make sure you put it back properly.
- If the inside of the oven smells, put a cup of water with the juice and skin of one lemon in a deep microwave bowl. Microwave it for three minutes, wipe thoroughly and then dry with a soft cloth.
- Failure to maintain the oven in a clean condition, especially if liquid is left under the turntable, could lead to deterioration of the surface that could adversely affect the life of the appliance and possibly result in a hazardous condition.

For Customer Services & Spare Parts please call **0845 209 7461**

Opening times: Monday - Friday 9am – 5pm & Saturday 9am – 1pm or visit us at **www.productcareuk.com**

Important utensil information

- Do not use metal pans or dishes with metal handles.
- Do not use anything with a metal trim.
- Do not use paper covered wire twist-ties on plastic bags.
- Do not use melamine dishes as they contain a material which will absorb microwave energy. This may cause the dishes to crack or burn, and will slow down the cooking speed.

- Use only cookware that is approved to be used in a microwave oven.
- Do not cook using a container with a restricted opening, such as bottles, as they may explode.
- Do not heat baby bottles with the teat left on and remove if replacing the bottle back into the oven.

- Only use thermometers that are approved for microwave ovens.
- Do not use the microwave oven for heating utensils.

For Customer Services & Spare Parts please call **0845 209 7461**

Opening times: Monday - Friday 9am – 5pm & Saturday 9am – 1pm or visit us at **www.productcareuk.com**

Connection to the mains supply

WARNING- THIS APPLIANCE MUST BE EARTHED

This appliance is designed to operate from a mains supply of AC230V ~ 50HZ.
Check that the voltage marked on the product corresponds with your supply voltage.

This product is fitted with a 13A plug complying with BS1363.

If this plug is unsuitable or needs to be replaced, please note the following:

Important: The wires in the mains lead are
Coloured in accordance with the following code:
GREEN/YELLOW-EARTH
BLUE-NEUTRAL
BROWN-LIVE



For Customer Services & Spare Parts please call **0845 209 7461**
Opening times: Monday - Friday 9am – 5pm & Saturday 9am – 1pm or visit us at www.productcareuk.com

Connection to the mains supply

For UK use only – Plug fitting details (where applicable):

As the colours of the wires in the mains lead of this appliance may not correspond with the coloured markings identifying the terminals in your plug, proceed as follows:

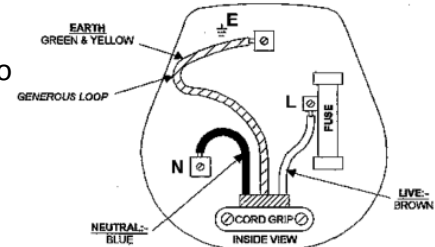
The GREEN/YELLOW wire is the EARTH and must be connected to the terminal which is marked with the letter E or by the earth symbol or coloured GREEN or GREEN/YELLOW.

The BLUE wire is the NEUTRAL and must be connected to the terminal marked with the letter N or coloured BLACK.

The BROWN wire is the LIVE wire and must be connected to the terminal marked with the letter L or coloured RED.

Always ensure that the plug cord grip is fastened correctly.

If a 13A (BS1363) fused plug is used it must be fitted with a 13amp fuse conforming to BS1362 and be BSI or ASTA approved.



For Customer Services & Spare Parts please call **0845 209 7461**

Opening times: Monday - Friday 9am – 5pm & Saturday 9am – 1pm or visit us at www.productcareuk.com

Non-rewireable mains plug

If your appliance is supplied with a non-rewireable plug fitted to the mains lead you will find that it incorporates a fuse, the value of which is indicated either on the base of the plug or on the fuse carrier. Should the fuse need replacing, you must use an ASTA approved fuse (conforming to BS1362) of the same rating.

If the fuse cover is lost the plug must not be used until a replacement is obtained from an electrical supplier.

If you need to remove the plug, cut it from the mains lead and dispose of it. Never attempt to re-use this plug or insert it into a socket outlet, as there is a very great risk of an electric shock.

For Customer Services & Spare Parts please call **0845 209 7461**
Opening times: Monday - Friday 9am – 5pm & Saturday 9am – 1pm or visit us at **www.productcareuk.com**

Problem solving

The microwave oven may cause interference to your radio, TV or similar equipment. If it does, you can get rid of the interference by moving the radio, TV or equipment as far away from your microwave oven as possible.

If the oven doesn't work -

- Make sure the mains plug is plugged in securely. If it is not, remove the plug from the socket, wait 10 seconds and plug it in again securely.
- Check the premises for a blown circuit fuse or a tripped main circuit breaker. If these seem to be working properly, test the socket with another appliance.

If the microwave power will not work –

- Check to see whether the timer is set.
- Make sure the door is securely closed. Otherwise, the microwave energy will not flow into the oven

For Customer Services & Spare Parts please call **0845 209 7461**

Opening times: Monday - Friday 9am – 5pm & Saturday 9am – 1pm or visit us at **www.productcareuk.com**

Guarantee

This product is guaranteed for 12 months from the date of the original purchase. If any defect arises due to faulty materials or workmanship the faulty product must be returned to the place of purchase.

Refund or replacement is at the discretion of the store.

The following conditions apply:

- The product must be returned to the retailer with the original proof of purchase.
- The product must be installed and used in accordance with the instructions contained in this instruction guide and any other instructions for use which has been supplied.
- It must be used for domestic purposes only and for its intended use.
- This guarantee does not cover wear and tear, damage, misuse or consumable parts.

This does not affect your statutory rights.

For Customer Services & Spare Parts please call **0845 209 7461**

Opening times: Monday - Friday 9am – 5pm & Saturday 9am – 1pm or visit us at **www.productcareuk.com**

Technical Specifications

Rated Voltage: 230V – 240V ~ 50Hz

Rated Output Power(Microwave): 800W

Rated grill output: 1200W

Oven Capacity: 20 L

External Dimensions(LxWxH): 452mm x 386mm x 262mm

Net Weight: Approx. 12.0 kg

For Customer Services & Spare Parts please call **0845 209 7461**

Opening times: Monday - Friday 9am – 5pm & Saturday 9am – 1pm or visit us at **www.productcareuk.com**

Spare Parts

The following spare parts are available from www.productcareuk.com

Glass turntable



Turntable coupling



Wave Guide cover



For Customer Services & Spare Parts please call **0845 209 7461**
Opening times: Monday - Friday 9am – 5pm & Saturday 9am – 1pm or visit us at www.productcareuk.com

For Customer Services & Spare
Parts please call
0845 209 7461
Opening times: Monday - Friday
9am – 5pm & Saturday 9am –1pm
or visit us at
www.productcareuk.com

Revision 1



This symbol is known as the 'Crossed-out wheeie bin Symbol'. When this symbol is marked on a product/batteries, it means that the product/batteries should not be disposed of with your general household waste. Only discard electrical/electronic/battery items in separate collection schemes, which cater for the recovery and recycling of materials contained within. Your co-operation is vital to make sure the success of these schemes and for the protection of the environment. For your nearest disposal facility, visit www.recycle-more.co.uk or ask in store for details.

We reserve the right due to possible changes to design to alter the instruction manual without prior notice.