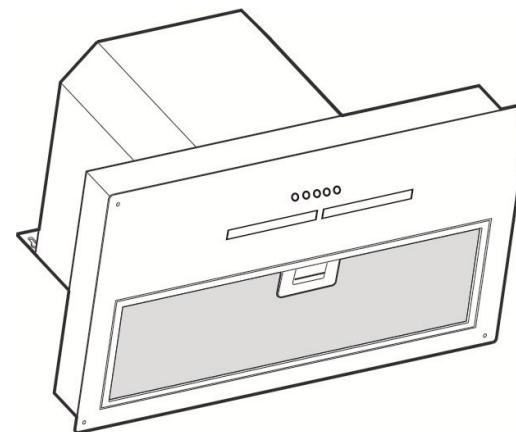


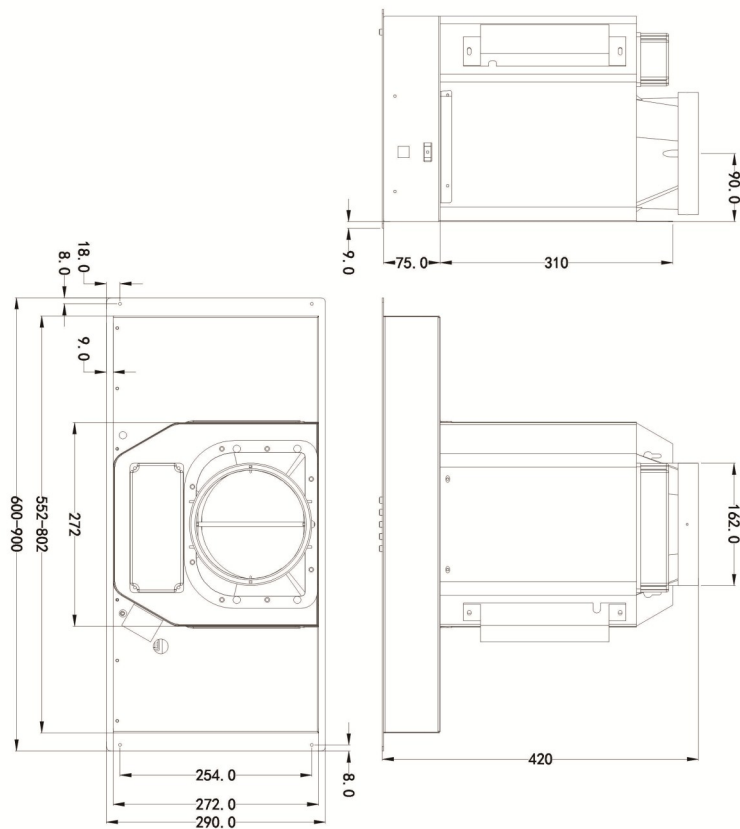


**PUM60X&PUM90X
RANGE HOOD
INSTRUCTION MANUAL**



Thank you for your purchase of this product. Please read the manual carefully before operating the appliance.

Installation Diagram



Cleaning & Maintenance

Warning: Before cleaning, please ensure that the power is switched off by detaching the plug from the wall socket.

10.1 Clean the surface of hood every week with mild soap or detergent . Avoid solvents, acid, alkali, scouring pads or powders that could irreparably damage the stainless steel surface.

10.2 The grease filters may be washed using mild soap, detergent or degreasing agent.

10.3 Charcoal filters cannot be cleaned and must be generally replaced after 6 months of use.

Specifications

PUM60X

| | |
|-------------------|-----------------------|
| Power Supply | 220V~240V 50Hz |
| Rated Input Power | 140W |
| Lighting Power | 2W×1 |
| Motor Power | 138W |
| Airflow | ≥700m ³ /h |
| Outlet Diameter | 150mm |

PUM90X

| | |
|-------------------|-----------------------|
| Power Supply | 220V~240V 50Hz |
| Rated Input Power | 142W |
| Lighting Power | 2W×2 |
| Motor Power | 138W |
| Airflow | ≥700m ³ /h |
| Outlet Diameter | 150mm |

Contents

| | |
|--|-----------|
| Introduction..... | 1 |
| Features..... | 2 |
| Installation..... | 2 |
| How To Use..... | 4 |
| Lamp Change..... | 5 |
| Safety Information..... | 6 |
| Trouble Shooting..... | 7 |
| Electrical Diagram..... | 8 |
| Specifications..... | 9 |
| Cleaning & Maintenance..... | 10 |

Introduction

1.1 This appliance has been manufactured with materials and processes that respect the environment. We hope that you will continue this important consideration in the operation of this appliance & the disposal of the packaging materials, thank you.

1.2 The installation work must be undertaken by a qualified technician experienced in cooker hood installation. Please connect the correct power rating (*see page 6*).

1.3 The manufacturer disclaims all liability for any damage or injury caused as a result of not following the instructions for installation contained in the following text.

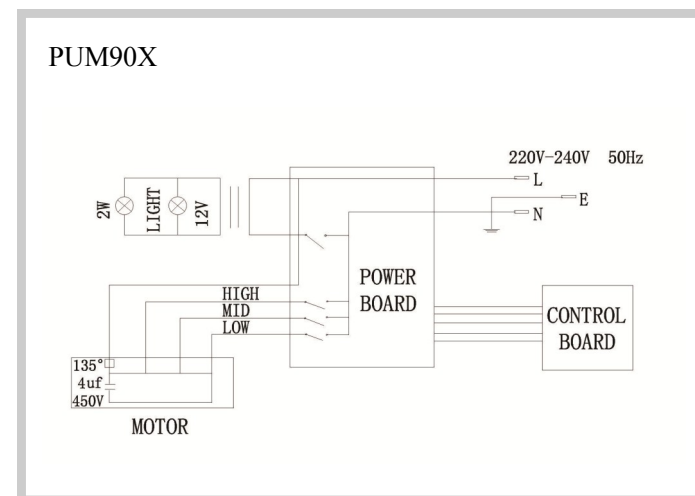
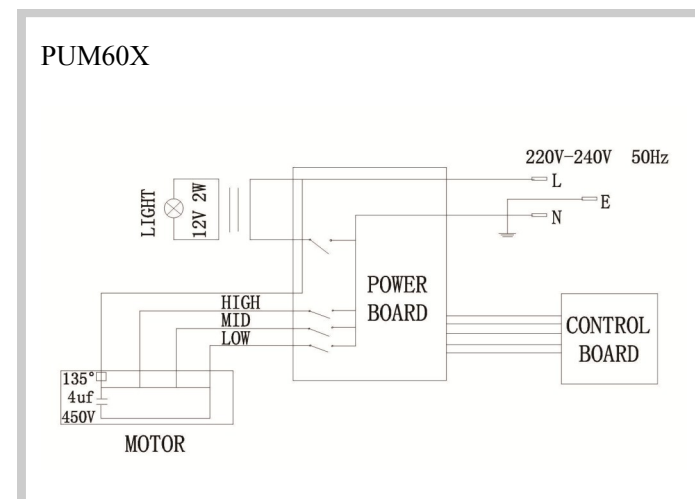
1.4 The appliance is not intended for use by young children or infirm persons without supervision.

1.5 Young children should be supervised to ensure that they do not play with the appliance.

1.6 The maximum number of hobs covered by range hood should not exceed 5.

1.7 Any modifications to the appliance, electric wire and plug is dangerous & voids the warranty.

Electrical Diagram



Trouble Shooting

If any problem occurs, please detach the plug from the socket and contact the manufacturer or its service agent or a similarly qualified person in order to avoid a hazard.

| Problem | Cause | Solution |
|--|---|---|
| Light on, but motor does not work | The outlet valve is blocked | Detach flue and duct then turn on the hood to check if the valve opens |
| | The capacitor has failed | Call for technical service |
| | The control switch has | Call for technical service |
| Light does not work, motor does not work | No power supply | Plug another appliance into the socket to confirm there is power supply |
| | Fuse has blown | Open up the plug and replace the 13A fuse |
| Vibration | The propeller is damaged or unbalanced | Call for technical service |
| | The hood is not installed correctly | Review the installation instructions & check the installation again for loose screws, brackets or connections |
| Insufficient suction effect | The distance between the hood and the cooker is too | Check that the distance is between 650mm to 700mm |
| | The filters are saturated | Clean the filters from grease residue and replace after |

7

Features

- 2.1** This appliance is manufactured from top quality materials, and offers superb streamlined effects.
- 2.2** With high suction power and low noise, it is designed to remove cooking fumes from your kitchen quietly & effectively.

Installation (duct is not supplied)

3.1 The range hood should be mounted at a distance of 650-750mm from the cooking surface for safety & optimum performance (If the instructions for installation of the gas hob specify a greater distance, this has to be taken into account.) (see pic 1). That exhaust air must not be discharged into a flue which is used for exhausting fumes from other appliances burning gas or other fuels.

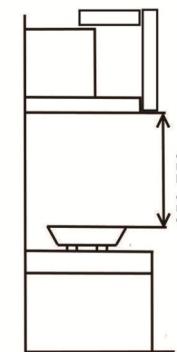
3.2 To install, drill 2 holes of Ø8mm on a sturdy wall and in line with the hood.

3.3 Insert expanding screws into the holes.

3.4 Fix drilling template on the wall (see pic 2).

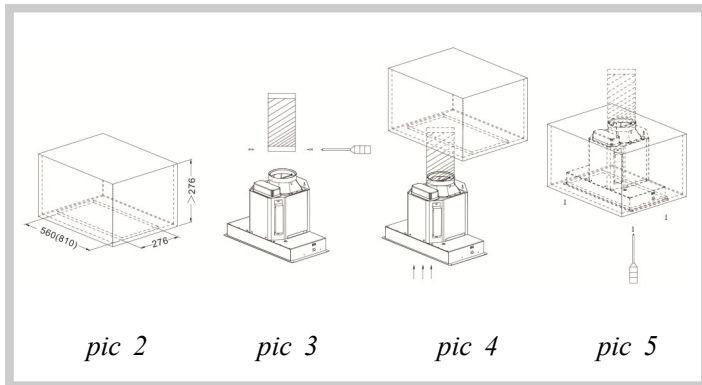
3.5 The appliance should be embedded into the wall unit or another support. This process should be carried out by 4 screws suitable for the kind of unit following the instructions for the drilling of the holes as shown in (see pic 3).

3.6 Attach the duct to the one way valve, and connect it to the kitchen outlet vent (see pic 4).



pic 1

2



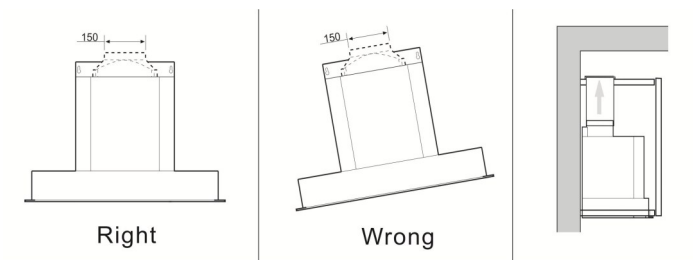
3.7 Ensure that the wall to be installed on is sufficiently sturdy to carry the weight of the hood. It should be mounted level for best performance (*see illustration*).

3.8 Do not connect to a common vent with other appliance such as gas heater, water heater, laundry dryer etc.

3.9 The duct should not be bent more than $\geq 120^\circ$ from the one way valve outlet to the kitchen vent.

3.10 Check to make sure that the electric chord is not in contact with sharp edges of the appliance.

3.11 Be sure that the plug is accessible after installation.



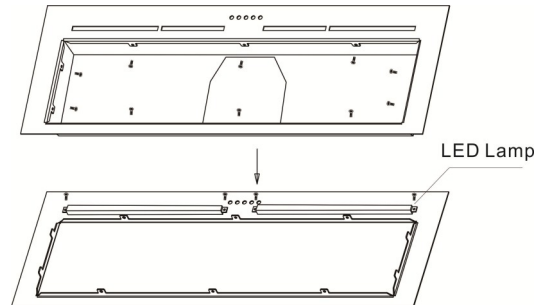
Safety Information

- ◆ There must permanent & adequate ventilation of the room when operating the range hood with appliances burning gas or other fuels.
- ◆ Do not check the status of the filters when the range hood is operating, wait at least 30 minutes after switching off to avoid scalding.
- ◆ Do not touch the (Halogen) light within 30 minutes after appliance use.
- ◆ Avoid operating a gas cooker when there is no pan on the stove, it is a fire hazard and may cause damage to the hood filters.
- ◆ Disconnect the electrical plug prior to any maintenance.
- ◆ This appliance is not intended for use by young children and persons unless they have been adequately supervised by a responsible person to ensure that they can use the appliance safely.
- ◆ The range hood is for home use only and is not suitable for outdoor, barbecue, and other commercial applications.
- ◆ The range hood and its filter should be cleaned regularly for best performance.
- ◆ Before cleaning, please confirm that the power is switched off.
- ◆ Building regulations concerning the discharge of exhaust air have to be fulfilled.
- ◆ Don't cook with an open flame under the range hood.
- ◆ For any technical issues ensure that a suitably qualified person effects any repairs or inspection.

Lamp Change

As with any maintenance on the appliance, first turn off the power supply by unplugging from the wall socket.

- 1.Remove the filters from the appliance.
- 2.Unload the screws on the stainless steel hood panel.
- 3.Remove the stainless steel panel before changing the lamp (see pic 7).
- 4.Change the lamp (LED Lamp Max.2W) and then reinstall in the reverse manner.

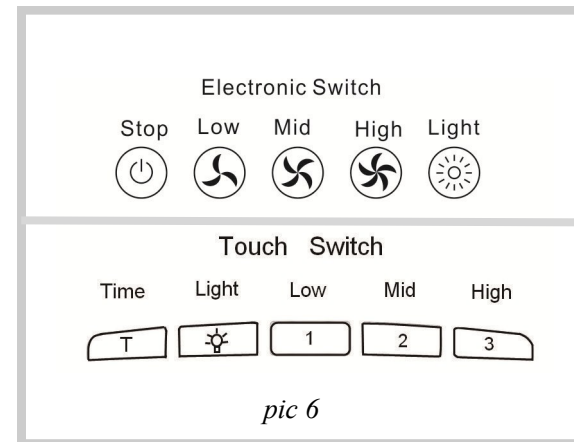


pic 7

How To Use

3 Speed adjustment (see pic 6).

- ◆ Push Stop button, and the motor will stop.
- ◆ Push the Low button, and the motor runs at low speed.
- ◆ Push the Mid button, and the motor runs at mid. speed.
- ◆ Push the High button, and the motor runs at high speed.
- ◆ Push the Light button, and the two lighting lamps illuminate. Push it again and the lamp will turn off.
- ◆ On any speed, push “T” & the delay timer will switch off the hood after 5 minutes.



pic 6