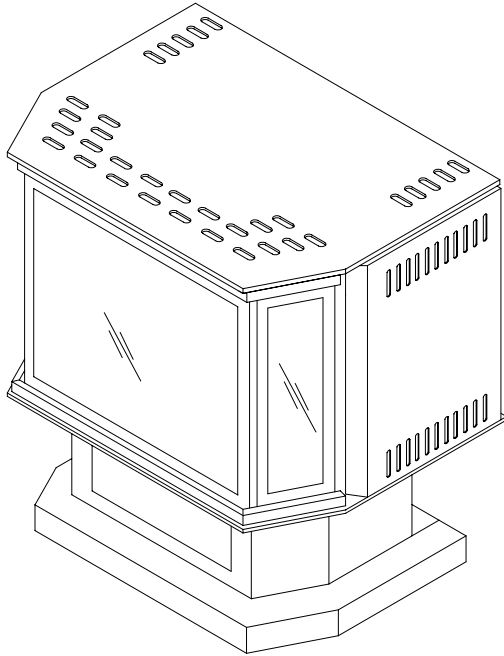


ULTRA FLAME

DIRECT VENT GAS STOVE INSTRUCTIONS MANUAL



Warnock Hersey



WARNING: If the information in these instructions is not followed exactly, a fire or explosion may result causing property damage, personal injury or loss of life.

FOR YOUR SAFETY: Do not store or use gasoline or other flammable vapours and liquids in the vicinity of this or any other appliance.

Installation and service must be performed by a qualified installer, service agency or the gas supplier.

WHAT TO DO IF YOU SMELL GAS:

- Do not try to light any appliance.
- Do not touch any electric switch; do not use any phone in your building.
- Immediately call your gas supplier from neighbour's phone. Follow the gas supplier's instructions.
- If you cannot reach your gas supplier, call the fire department.

THE INSTALLATION MUST CONFORM WITH LOCAL CODES OR, IN THE ABSENCE OF LOCAL CODES, WITH THE CURRENT **NATIONAL FUEL GAS CODE ANSI Z223.1** (USA) OR THE CURRENT **CAN/CGA B149 INSTALLATION CODES** (CANADA).

**PLEASE KEEP THIS INSTRUCTIONS MANUAL
FOR FUTURE REFERENCE**

TABLE OF CONTENTS

GENERAL INFORMATION	2
WARNING	2
TECHNICAL SPÉCIFICATIONS	3
Dimensions	3
Burner	4
Gas Valve SIT 820 Nova mV	4
Pressure Adjustments	4
Available Wall Venting Kits	5
Available Options	5
SELECTING TYPICAL INSTALLATION	6
Safety Notice	6
Positioning the Stove	6
Clearance to combustibles	6
Critical Length of Venting Pipes	7
Terminal Vent Location	7
INSTALLATION OF YOUR STOVE	8
Pedestal cover	8
Installation of Wall Venting Kits	9
Direct Vent Kit	9
Direct Vent Kit for Corner Installation	10
Direct Vent Kit for Basement Installation	12
Direct Vent Kit for Floor Installation	14
Gas Piping	16
Electrical Connections	16
Logs Installation	17
Ember Kit Installation	17
Bay Window Installation	17
OPERATION OF YOUR STOVE	18
For your safety	18
Lighting Instructions	18
Shut down Instructions	19
Optional Blower	19
Optional Wall Thermostat	19
MAINTENANCE INSTRUCTIONS	20
Yearly maintenance	20
Burst Disc Replacement	20
Bay window	20
Cleaning	20
Repairing	20
Burner	21
Removing the Burner	21
Burner Installation	21
Air Shutter Adjustment	21
Gas Valve SIT 820 mV	21
Maximum Pressure Adjustment, Altitude Installation	21
Pilot Assembly	22
OPTIONS	22
REPLACEMENT PARTS	22
LIMITED WARRANTY	23

GENERAL INFORMATION

The **ULTRA FLAME DIRECT VENT GAS STOVE** is a high-efficiency gas appliance with a maximum input rating of 30 000 Btu/h (8,8 kW) with natural gas or 26,000 Btu/h (7,6 kW) with propane. It features an adjustable millivolt valve and a constant pilot independent of any electrical source. Your appliance will therefore continue to heat your house in the event of a power failure. You can set the height of the flame to your liking by turning the adjusting knob.

For increased efficiency, we offer as an option a 130 CFM blower. Speed control, thermo-switch and electrical wiring are pre-installed on your stove. Easy to hook up, your fan will therefore turn itself « ON » and « OFF » automatically.

An optional thermostat is also available for automatic room temperature control.

This appliance must be connected to a venting system. Read these instructions and consult your local building authorities before installing this appliance. Install the unit and its venting system only as described in these instructions. Use only with Drolet Direct Vent Kit, supplied by manufacturer.

KEEP THESE INSTRUCTIONS FOR FUTURE REFERENCE

This gas stove has been tested by Intertek Testing Services according to CGA-2.22-M96 and CAN/CGA-2.17-M91 for Canada and ANSI Z21.50-1996 and UL307B-1995 for USA.

It is mobile home approved. This appliance must be installed in accordance with the current Standard Mobile Homes, CAN/CSA Z240 MR OR CAN/CSA Z240RV, RECREATIONAL VEHICLES or with the Manufactured Home Construction and Safety Standard, Title 24 CFR, Part 3280, or when such a standard is not applicable, the current Standard for Fire Safety Criteria for Manufactured Home Installations, Sites, and Communities, ANSI/NFPA 501A or with the current Standard for RECREATIONAL VEHICLES, ANSI A119.2/NFPA 501C.

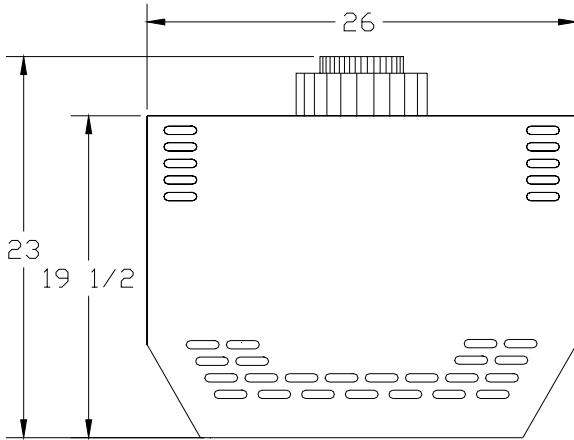
The unit can be installed in a range of altitude from 0 to 4 500 ft (0-1 370 m) in Canada. In USA see gas codes for operating above 2000 ft.

WARNING

- Installation should be done by a qualified installer.
- Do not burn wood or any other material in this appliance.
- Hot when in operation. Keep children, furniture, clothing and flammable material away from the appliance.
- Inform adults and children to the hazard of high surface temperatures and that they should stay away to avoid burns or clothing ignition.
- Young children should be supervised when they are in the same room as the appliance.
- The appliance should be inspected before use and at least annually by a qualified service person. More frequent cleaning may be required due to excessive lint from carpeting, bedding material, etc.
- It is imperative that the control compartments, burners and circulating air passageways be kept clean.
- Do not modify this appliance.
- The openings in the gas stove pedestal should never be blocked.
- Provide adequate accessibility clearances for servicing and proper operation.

TECHNICAL SPÉCIFICATIONS

Dimensions



TOP VIEW

Dimensions

Height :	29	in	735	mm
Width :	26	in	920	mm
Depth :	23	in	585	mm

Ceramic Glass

Front :	18 3/16	in	x	15 15/16	in
	462	mm	x	405	mm
Sides :	5 1/16	in	x	15 15/16	in
	129	mm	x	405	mm

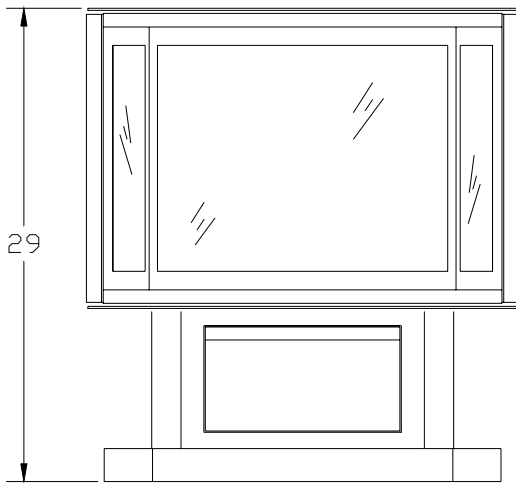
Weight : 140 lbs 64 kg

Color : Metallic Black

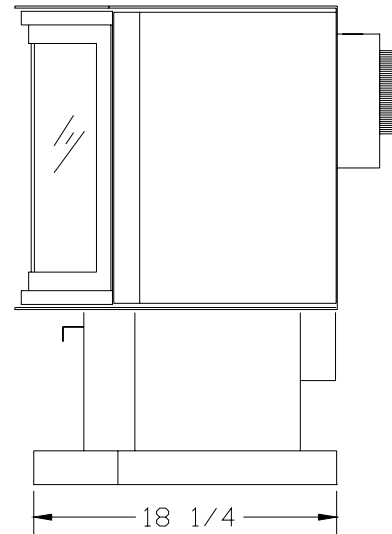
Clearances to Combustibles

- Back : 1 po 25 mm
- Side : 14 po 355 mm
- Corner : 4 po 100 mm
- Top : 36 po 915 mm
- Floor :combustible ^{Note 1}

Note 1 : Your stove has been successfully certified while installed on a wood floor. Do not install your stove on carpet. Choose instead ceramic tile or wood floor.



FRONT VIEW



SIDE VIEW

Burner

		Natural Gas		Propane LP	
Maximum Input, BTU/h (kW)	minimum :	20 000	(5,9)	20 000	(5,9)
	maximum :	30 000	(8,8)	26 000	(7,6)
Inlet Pressure INWC (kPa)	minimum :	5,0	(1,3)	11,0	(2,8)
	maximum :	7,0	(1,8)	14,0	(3,5)
Manifold Pressure INWC (kPa)	minimum :	1,8	(0,5)	7,0	(1,8)
	maximum :	3,5	(0,9)	10,0	(2,5)
Burner orifice, Ø :		36		52	
Injecteur du pilot. Ø :		51		30	

Gas Valve SIT 820 Nova mV

Gas Valve :	Natural Gas	Propane LP
		Model SIT 0.820.634 Nova mV

Your stove is equipped with a sophisticated gas control valve, which will give you a safe use of your appliance. The gas control valve SIT 820 Nova mV operates without electricity due to the energy given by the pilot flame and captured by the thermo-generator. (also called thermopile). The admission of the gas fuel to the burner is done only under safe conditions.

Pressure Adjustments

- **Adjustments to the valve assembly must be performed by a qualified service person.**
- The appliance and its individual shutoff valve must be disconnected from the gas supply piping system during any pressure testing of that system at test pressures in excess of ½ psi (3.5 kPa);
- The appliance must be isolated from the gas supply piping system by closing its individual manual shutoff valve during any pressure testing of the gas supply piping system at test pressures equal to or less than ½ psi (3.5 kPa);

NATURAL GAS

The inlet supply or line pressure must be a minimum of 5 INWC and a maximum of 7 INWC. The orifice has a #36 hole.

ELEVATION	INPUT RATING
0-4500 ft (0-1400m)	30 000 BTU/h (8.8 kW)
over 4500 ft (1400 m) +	30 000 BTU/h (8.8 kW) less 4% per 1000 ft (300 m) or reduce manifold pressure by 0.25 INWC per 1000 ft (300 m)

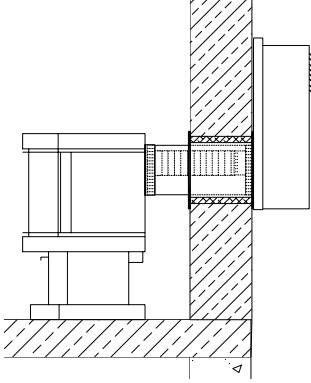
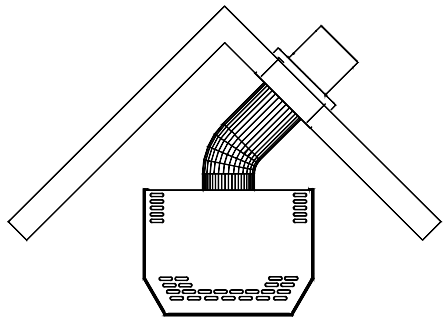
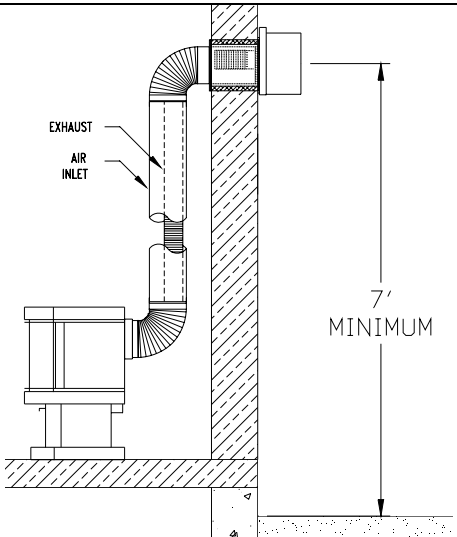
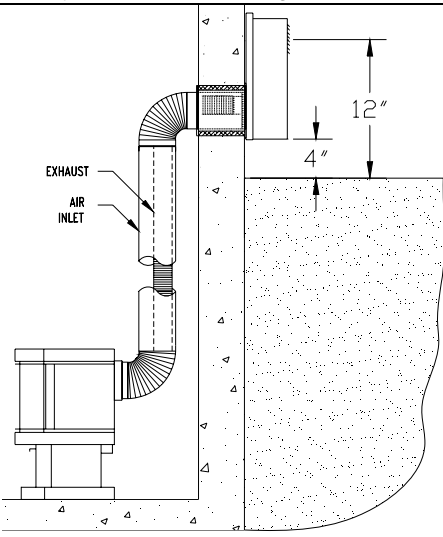
GAZ PROPANE

The inlet supply or line pressure must be a minimum of 10.5" WC and a maximum of 12" WC. The orifice has a #52 hole.

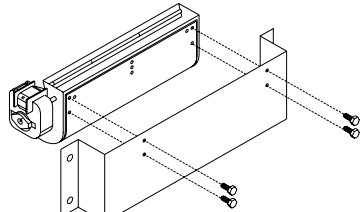
ELEVATION	INPUT RATING
0-4500 pi (0-1400 m)	26 000 BTU/h (7.6kW)
4500 pi (1400m)+	26 000 BTU/h (7.6kW) moins 4% par 1000 pi (300m) or reduce manifold pressure by 1 INWC per 1000 ft

NOTE : The input rating should always be checked when first running this appliance. To do this, verify inlet valve pressure and manifold pressure,. Adjust manifold pressure to meet values range as indicated in burner characteristics table.

Available Wall Venting Kits

 <p style="text-align: center;">Venting Kit for Direct Installation AC05506</p>	 <p style="text-align: center;">Venting Kit for Corner Installation AC05507</p>
<p>DESCRIPTION</p> <ul style="list-style-type: none"> • Outer pipe (Ø 8 in.) for admission of fuel-air in carbon steel, black 24GA ; • Inner flexible pipe (Ø 5 in.) in aluminum allowing the exhaust of the flue ; • Snorkel type vent terminal in galvanized steel. 	<p>DESCRIPTION</p> <ul style="list-style-type: none"> • Outer pipe (Ø 8 in.) for admission of fuel-air in carbon steel, black 24GA ; • Inner flexible pipe (Ø 5 in.) in aluminum allowing the exhaust of the flue ; • 45° elbow (Ø 8 in.) • Snorkel type vent terminal in galvanized steel.
 <p style="text-align: center;">Venting Kit for Floor Installation AC05502</p>	 <p style="text-align: center;">Venting Kit for Basement Installation AC05509</p>
<p>DESCRIPTION</p> <ul style="list-style-type: none"> • Outer pipe (Ø 8 in.) for admission of fuel-air in carbon steel, black 24GA; • Inner flexible pipe (Ø 4 in.) in aluminum allowing the exhaust of the flue; • 2-90° elbow and straight pipes (Ø 8 in.) included ; • Small vent terminal in galvanized steel. 	<p>DESCRIPTION</p> <ul style="list-style-type: none"> • Outer pipe (Ø 8 in.) for admission of fuel-air in carbon steel, black 24GA ; • Inner flexible pipe (Ø 5 in.) in aluminum allowing the exhaust of the flue ; • 2-90° elbow and straight pipes (Ø 8 in.) included ; • Snorkel type vent terminal in galvanized steel.2

Available Options

<p>Blower AC05529</p> <ul style="list-style-type: none"> • Flow rate : 130 CFM (3.68m³/min) • Thermostat starting the blower at 110 °F (43 °C) and stop it at 90 °F (32 °C) • Speed control (rheostat) <p>Thermostat AC05558</p>	
--	--

SELECTING TYPICAL INSTALLATION

Safety Notice

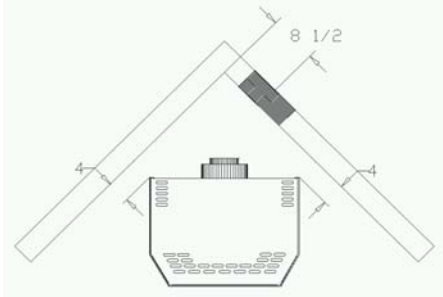
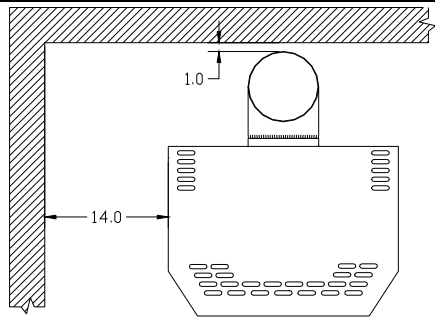
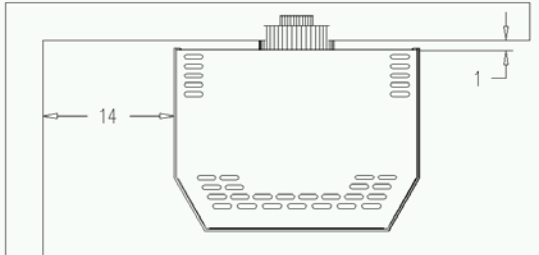
- Improper installation may result in a house fire. Follow installation directions. Installation must be done in accordance with local building codes or, in the absence of local codes, with current CAN/CGA B 149 installation codes for gas appliances (Canada) and current National Fuel Gas Code ANSI Z223.1 (USA).
- A qualified installer must do installation.
- This gas stove must be vented outside.
- This gas stove, when installed with optional blower or hand held remote, must be electrically grounded in accordance with local codes or, in the absence of local codes, with the national electrical code, ANSI/FPA 70, or the Canadian Electrical code, CSA C22.1.

Positioning the Stove

- Always locate the stove as near as possible to an outside wall. Keep horizontal run of vent pipe as short as possible;
- Provide adequate clearances around air openings into the combustion chamber. Provide adequate accessibility clearances for servicing and proper operation.
- The ULTRA FLAME may be installed in a bedroom provided that all required clearances are met and a wall thermostat is installed.
- Never install the stove in a hallway or near a staircase as it may block the way in case of a fire
- A gas appliance must not be connected to a chimney flue serving a separate solid-fuel burning appliance.

Clearance to combustibles

Clearance between the stove and any combustible material must also be maintained while installing your appliance.

CLEARANCE		 <p style="text-align: center;">Corner Installation</p>
Back (in)	1	
Side (in))	14	
Corner (in)	4	
Top (in)	36	
Front (in)	12	
Pipe (in)	1	
Floor	Combustible ^{Note 1}	 <p style="text-align: center;">Basement or Floor Installation</p>
 <p style="text-align: center;">Direct Installation</p>		

Note 1 :Your stove has been successfully certified while installed on a wood floor. Do not install your stove on carpet. Choose instead ceramic tile or wood floor.

Clearance between wall and the pipe is 1". Do not install the vent pipe in an enclosed area or through an insulated wall without a radiation shield (# E-5710)

Critical Length of Venting Pipes

The following table shows maximum length to be respected while installing your appliance:

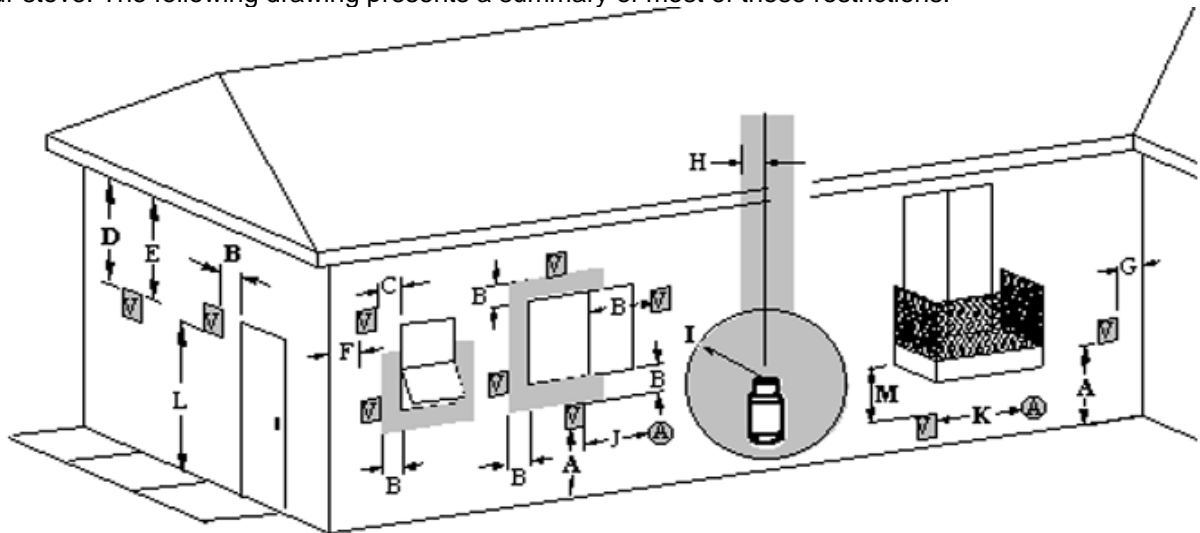
In conclusion:

- If you have no rise (Vertical run= 0 ft) :
 - ❖ The maximum horizontal run is 5 ft ;
- If you have a known horizontal run :
 - ❖ Minimum vertical run = Horizontal run – 5 ft ;
- If you have a vertical run shorter than 5 ft :
 - ❖ Maximum horizontal run = Vertical run + 5 ft.
- If you have a vertical run longer than 5 ft :
 - ❖ Maximum horizontal run = 10 ft.

Note : 1-90° elbow is equivalent to 5 ft of horizontal run ;
1-45° elbow is equivalent to 2,5 ft of horizontal run.

Terminal Vent Location

Your Ultra Flame stove vents through a vent terminal installed on the roof or on the outside of any exterior wall of your house. Many restrictions apply to the vent terminal location that should be considered before locating your stove. The following drawing presents a summary of most of these restrictions.



- | | | |
|---|--|---|
| VENT TERMINAL
SORTIE DU TUYAU
D'EVACUATION | AIR SUPPLY INLET
ENTREE D'AIR FRAIS | AREA WHERE TERMINAL IS NOT PERMITTED
ZONE OU LA SORTIE N'EST PAS PERMISE |
|---|--|---|

LEGEND

- A. 12" Clearance above grade, veranda, porch, deck or balcony
- B. 12" Clearance to window or door that may be opened
- C. 12" Clearance to permanently closed window
- D. 18" Vertical clearance to ventilated soffit located above the terminal within a horizontal distance of 2 feet (60 cm) from the center-line of terminal (direct or corner installation)
24" Vertical clearance to ventilated soffit (Basement installation)
- E. 12" Clearance to unventilated soffit, (straight out or corner installation)
24" Clearance to unventilated soffit, (Basement installation)
- F. 12" Clearance to outside corner
- G. 12" Clearance to inside corner
- H. 36" clearance to each side of the centreline extended above the meter / regulator assembly to a maximum vertical distance of 15ft (4.57M)
- I. 36" clearance to service regulator vent outlet
- J. 12" Clearance to non-mechanical air supply inlet to building or the combustion air inlet to any other appliance

- K. 72" Clearance to a mechanical air supply inlet
 - L. 84" Clearance above paved sidewalk or a paved driveway located on public property. A vent shall not terminate directly above a sidewalk or paved driveway which is located between two single family dwellings and serves both dwelling
 - M. 36" Clearance under veranda, porch, deck, or balcony. Only permitted if veranda, porch, deck, or balcony is fully open on a minimum of 2 sides beneath the floor.
- ❖ Local codes or regulations may require different clearances.
 - ❖ When the vent terminal is accessible, a certified guard shall be installed around the terminal. This guard is available as an option, identified as part #E5480, for straight and corner terminals and #E5482 for the basement terminal
 - ❖ The vent terminal may not be recessed into the wall or siding.

The vent terminal shall not terminate:

- Within 3 ft. of a building mechanical air supply.
- Less than 12 inches from a perpendicular wall.
- Under a window that pivots open.

In addition, in a structure with three walls and a roof, the vent terminal should not be installed if:

- The minimum distance between the two sidewalls must be 72";
- The roof exceed the walls by more than 24".

INSTALLATION OF YOUR STOVE

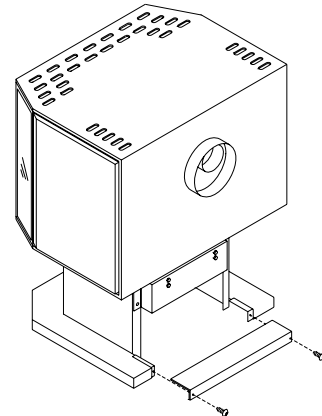
Before starting any installation, make sure you know :

- Where do you run your gas line ;
- What type of venting kit do you need (page 5) ;
- Where do you run you're your venting pipes ;
- Where do you install the terminal vent in respect with installation code (page 7 and 8) ;
- Clearances to combustibles (page 6) ;
- Length of horizontal and vertical runs of venting pipes

Now that you have decided where and how to install your stove, you are ready to start:

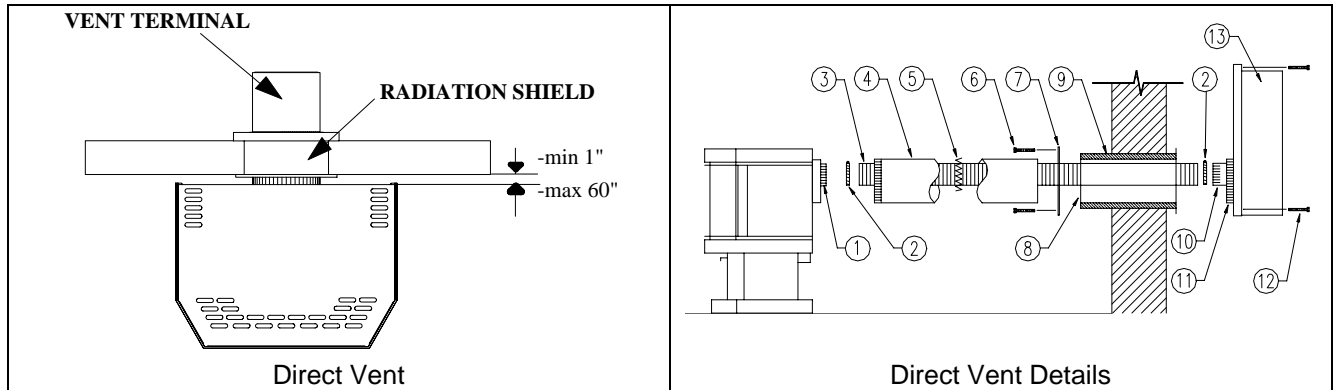
Pedestal cover

1. Slide the pedestal cover over the pedestal from the front.
2. Place the back cover on the pedestal cover and secure with the supplied screws.



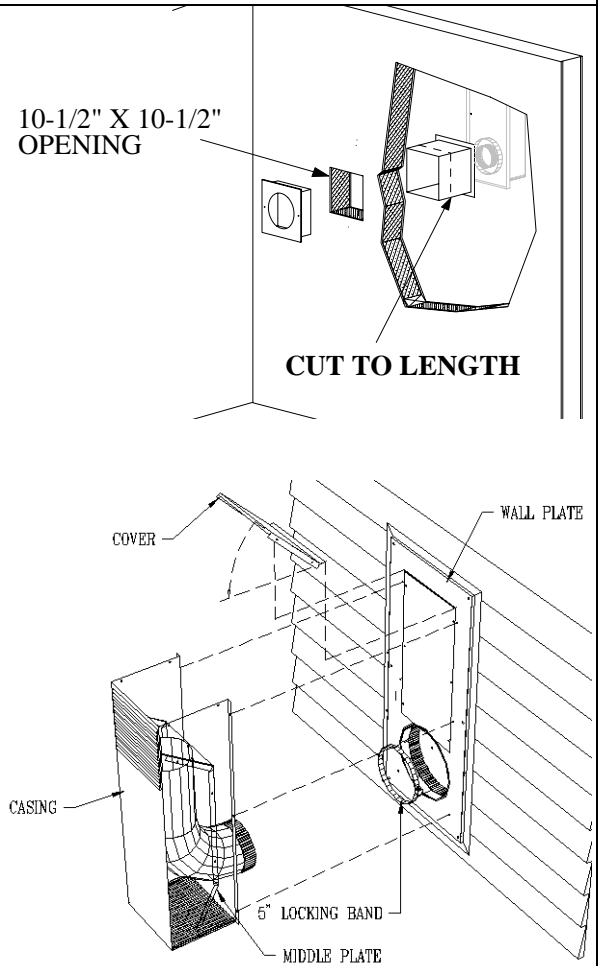
Installation of Wall Venting Kits

Direct Vent Kit

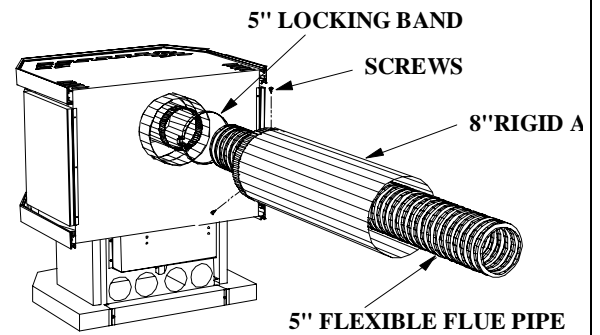


1. Move the stove to its position;
 2. Install temporary a 8 in. section (4) to visualize where the opening to be done thru the wall. Center of the opening should be at about 23 1/2 "above the base of the stove;
- Note: Horizontal run should have a slope of 1/4 in per foot.

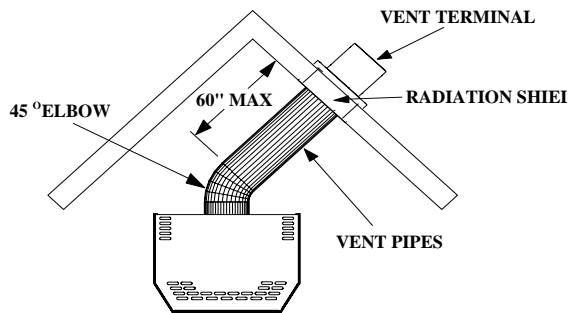
3. Make a 10-1/2" x 10-1/2" opening in the wall, 23-1/2" inches in order to introduce the radiation shield thru the wall;
 4. Cut the radiation shield to length if necessary and install as shown. Secure with four #10 1" wood screws;
 5. Install the vent terminal (13) with 2 1/2 screws (12). You may want to remove the vent casing for easy access and manipulation, Keep only in place the wall plate
 6. Insert the 8 in. pipe into the round opening of the interior black wall plate (7). Fix the insulation pad (9) around the 8 in. pipe with the aluminum tape;
 7. Keeping the insulation joint of the 8 in. pipe down, insert it into the vent terminal wall plate;
 8. Secure the 8 in. pipe to vent terminal wall plate with the metal screw;
 9. Fix finally the vent terminal wall plate with six 2 1/2 in screws (12).
 10. Insert the 5 in. flexible pipe (3) into the 8 in. pipe and fix it to the vent terminal casing. Use high temperature silicone and one locking band to secure it in pace;
- NOTE: All joints must be sealed with RTV silicone, 315°C. (600°F) temperature resistance.
11. Install the vent casing and the cover in place
 12. Seal around the terminal to prevent water leakage into the house



13. Seal around the 8 in. pipe to prevent cold air to get into the house.
14. Seal around the cover slots to avoid water infiltration into the vent terminal;
15. Insert spring spacers into the 5 in. flexible pipe;
16. Put some high temp silicone on the stove's 5 in. flange. Insert one locking band on the 5 in. pipe and insert it on the stove flange. Make sure seal is perfect. Tight the locking band
17. Fix the 8 in. pipe to the stove with three metal screws.
18. Fix **Seal around the 8 in. pipe to prevent cold air to get into the house.** your stove to the floor ;
19. Installation is now complete.

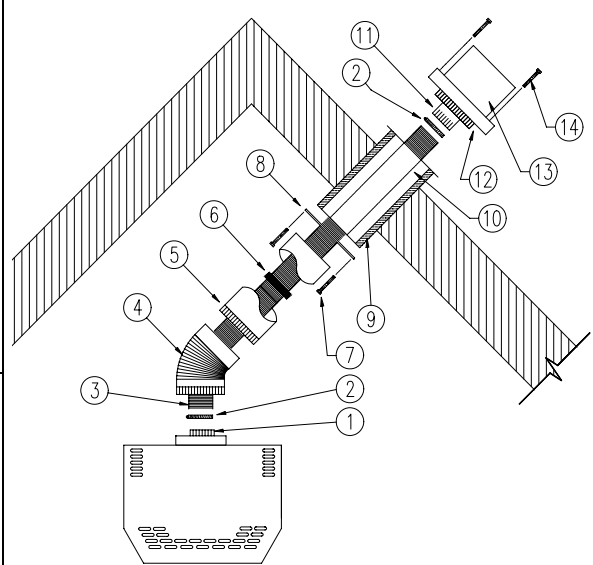


Direct Vent Kit for Corner Installation



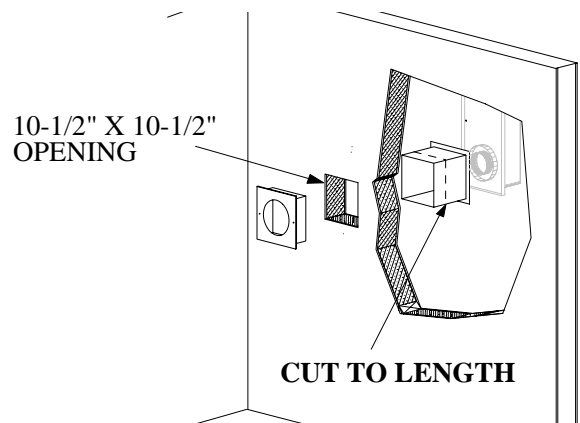
Corner Installation

1. Move the stove to its position;
 2. Install temporary a 8 in. section (4) to visualize where the opening to be done thru the wall. Center of the opening should be at about 23 1/2 "above the base of the stove;
- Note: Horizontal run should have a slope of 1/4 in per foot.



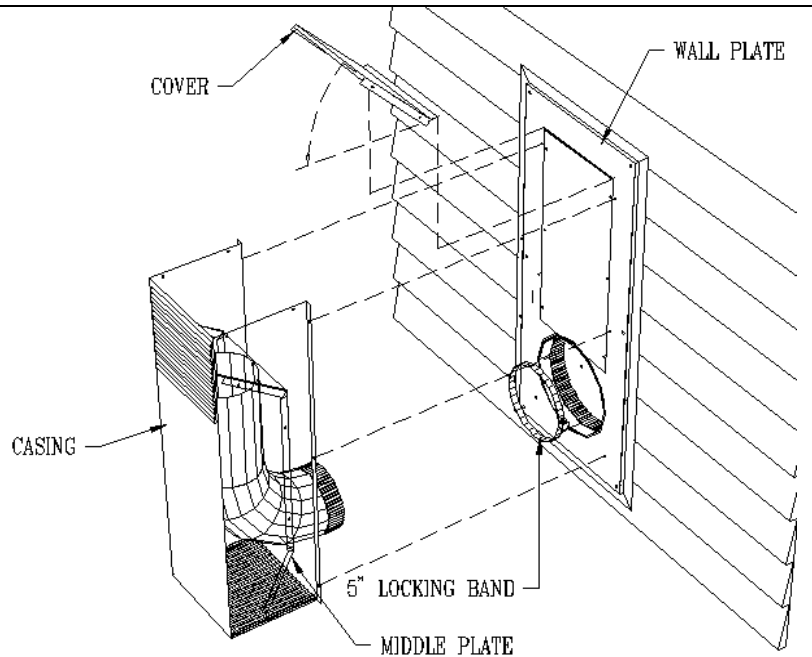
Corner Installation Details

3. Make a 10-1/2" x 10-1/2" opening in the wall, 23-1/2" inches in order to introduce the radiation shield thru the wall;
4. Cut the radiation shield to length if necessary and install as shown. Secure with four #10 1" wood screws;
5. Install the vent terminal (13) with 2 1/2 screws (12). You may want to remove the vent casing for easy access and manipulation, Keep only in place the wall plate;
6. Insert the 8 in. pipe into the round opening of the interior black wall plate (7). Fix the insulation pad (9) around the 8 in. pipe with the aluminum tape;
7. Keeping the insulation joint of the 8 in. pipe down, insert it into the vent terminal wall plate;

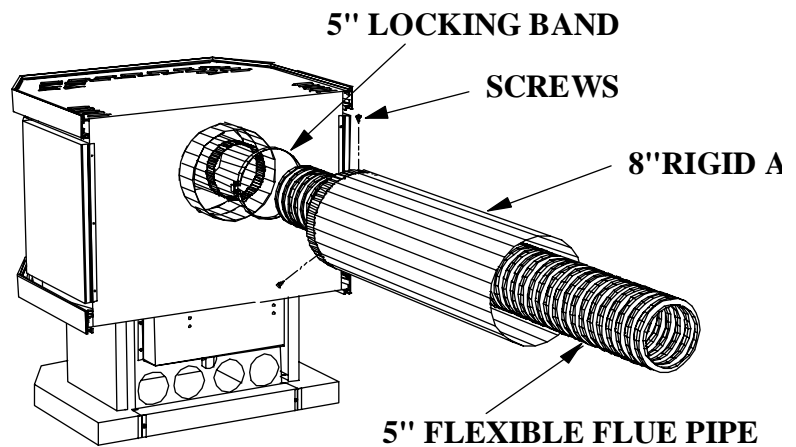


CUT TO LENGTH

8. Secure the 8 in. pipe to vent terminal wall plate with the metal screw;
 9. Fix finally the vent terminal wall plate with six 2 ½ in screws (12).
 10. Insert the 5 in. flexible pipe (3) into the 8 in. pipe and fix it to the vent terminal casing. Use high temperature silicone and one locking band to secure it in pace;
- NOTE: All joints must be sealed with RTV silicone, 315°C. (600°F) temperature resistance.
11. Install the vent casing and the cover in place
 12. Seal around the terminal to prevent water leakage into the house

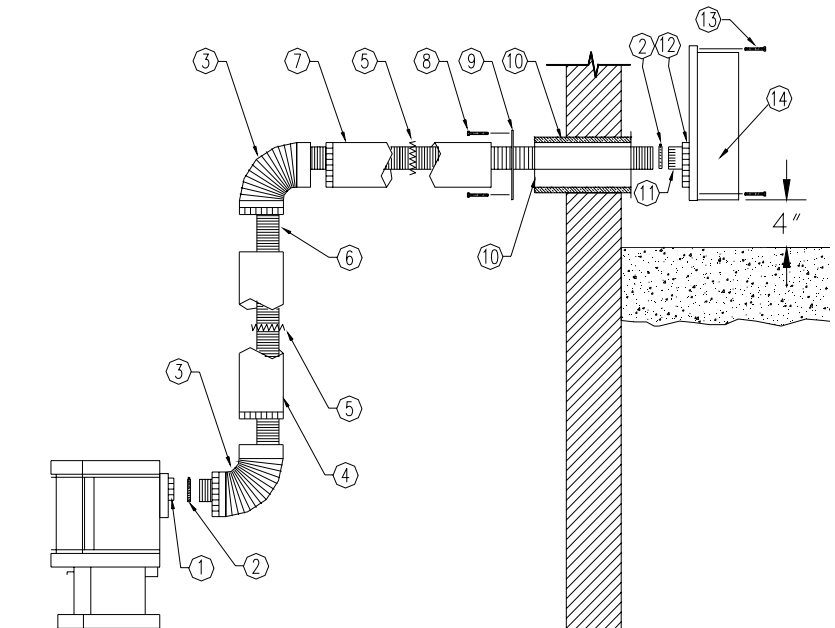


13. Seal around the 8 in. pipe to prevent cold air to get into the house.
14. Seal around the cover slots to avoid water infiltration into the vent terminal;
15. Insert spring spacers into the 5 in. flexible pipe;
16. Use all necessary rigid sections to meet your specific needs. Fix 8 in. pipes together with metal screws;
17. Put some high temp silicone on the stove's 5 in. flange. Insert one locking band on the 5 in. pipe and insert it on the stove flange. Make sure seal is perfect. Tight the locking band
18. Fix the 8 in. pipe to the stove with three metal screws.
19. Fix Seal around the 8 in. pipe to prevent cold air to get into the house. your stove to the floor ;
20. Installation is now complete.



Direct Vent Kit for Basement Installation

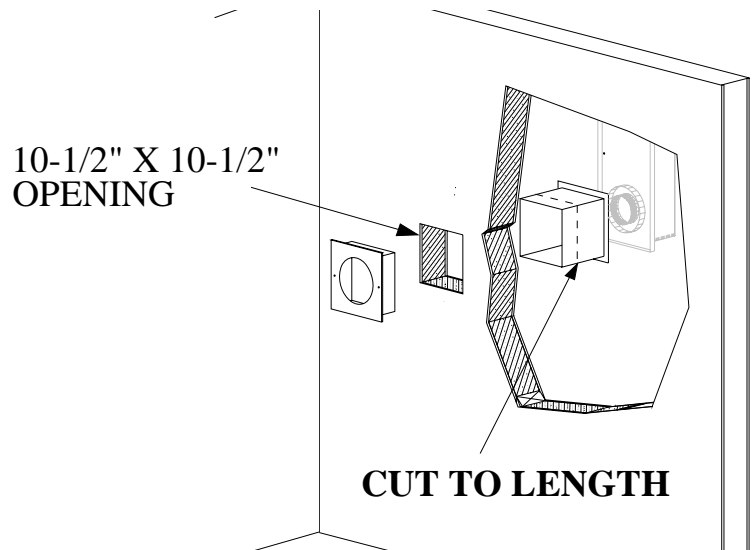
1. Move the stove to its position;
 2. Install temporary an 8 in. section (4) to visualize where the opening to be done thru the wall. Center of the opening should be at about 23 1/2 "above the base of the stove;
- Note: Horizontal run should have a slope of 1/4 in per foot.
3. Make a 10-1/2" x 10-1/2" opening in the wall, 23-1/2" inches in order to introduce the radiation shield thru the wall;
 4. Cut the radiation shield to length if necessary and install as shown. Secure with four #10 1" wood screws;
 5. Install the vent terminal (13) with 2 1/2 screws (12). You may want to remove the vent casing for easy access and manipulation, Keep only in place the wall plate;



Basement Installation

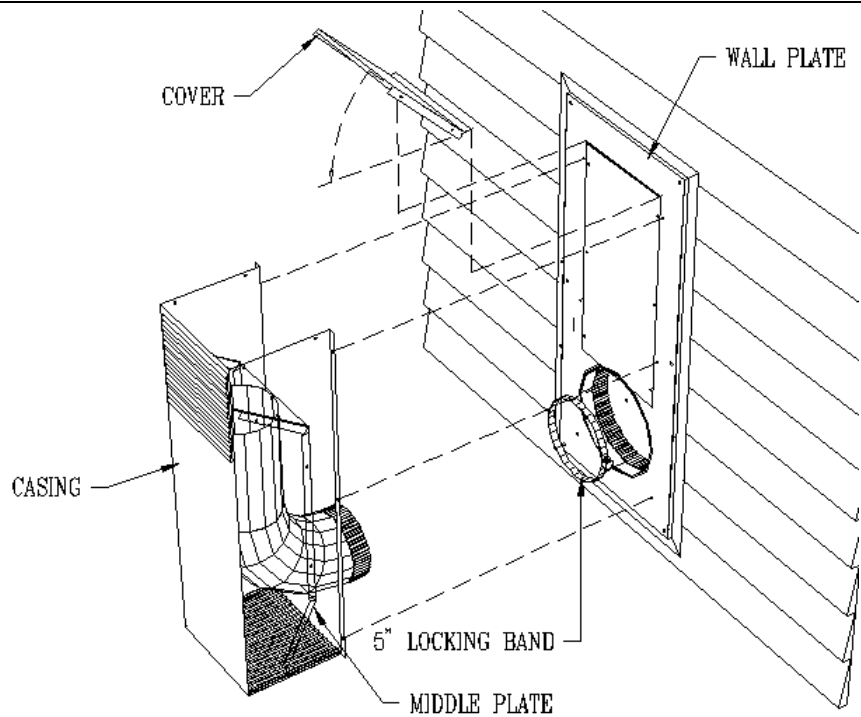
6. Insert the 8 in. pipe into the round opening of the interior black wall plate (7). Fix the insulation pad (9) around the 8 in. pipe with the aluminum tape;
7. Keeping the insulation joint of the 8 in. pipe down, insert it into the vent terminal wall plate;
8. Secure the 8 in. pipe to vent terminal wall plate with the metal screw;
9. Fix finally the vent terminal wall plate with six 2 1/2 in screws (12).
10. Insert the 5 in. flexible pipe (3) into the 8 in. pipe and fix it to the vent terminal casing. Use high temperature silicone and one locking band to secure it in pace;

NOTE: All joints must be sealed with RTV silicone, 315°C. (600°F) temperature resistance.

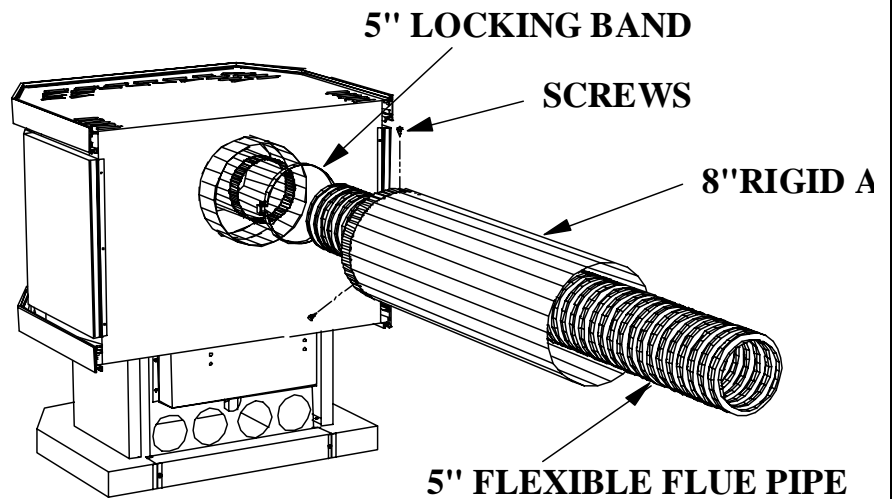


CUT TO LENGTH

11. Install the vent casing and the cover in place
12. Seal around the terminal to prevent water leakage into the house
13. Seal around the 8 in. pipe to prevent cold air to get into the house.
14. Seal around the cover slots to avoid water infiltration into the vent terminal;
15. Insert spring spacers into the 5 in. flexible pipe;
16. Use all necessary rigid sections to meet your specific needs. Fix 8 in. pipes together with metal screws;

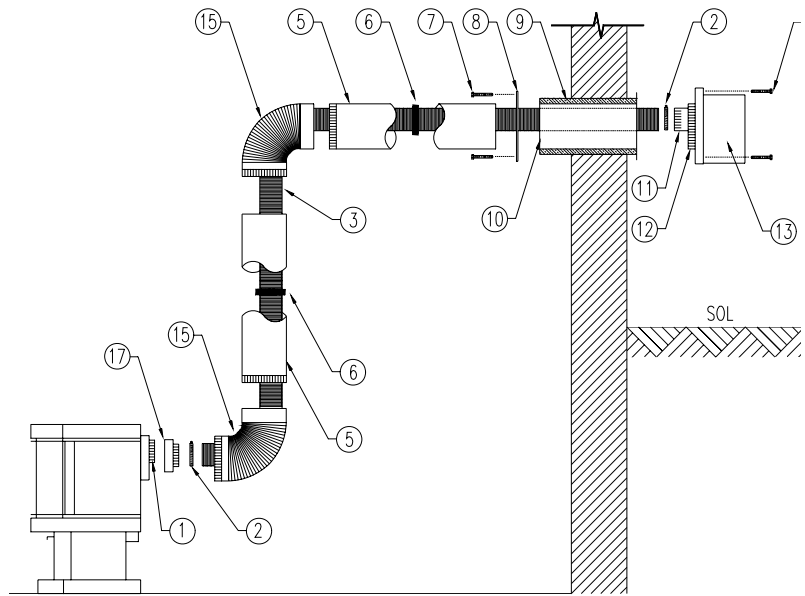


17. Put some high temp silicone on the stove's 5 in. flange. Insert one locking band on the 5 in. pipe and insert it on the stove flange. Make sure seal is perfect. Tight the locking band
18. Fix the 8 in. pipe to the stove with three metal screws.
19. Fix Seal around the 8 in. pipe to prevent cold air to get into the house. your stove to the floor ;
20. Installation is now complete.



Direct Vent Kit for Floor Installation

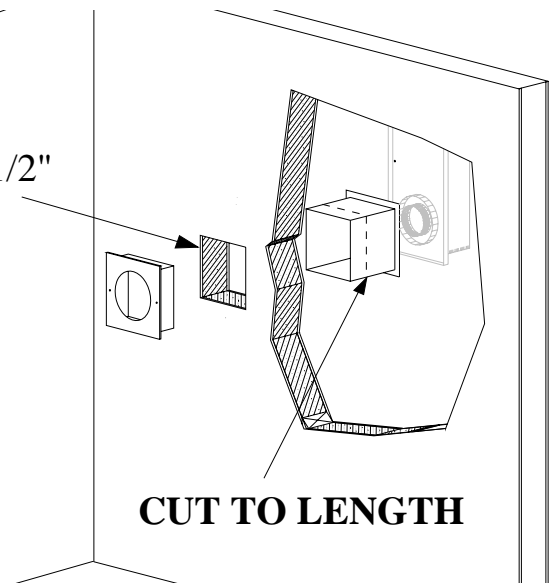
1. Move the stove to its position;
2. Install temporarily an 8 in. section (4) to visualize where the opening is to be done thru the wall. Center of the opening should be at about 23 1/2" above the base of the stove;
 Note: Horizontal run should have a slope of 1/4 in per foot.
3. Make a 10-1/2" x 10-1/2" opening in the wall, 23-1/2" inches in order to introduce the radiation shield thru the wall;
4. Cut the radiation shield to length if necessary and install as shown. Secure with four #10 x 1" wood screws;
5. Install the vent terminal (13) with 2 1/2 screws (12). You may want to remove the vent casing for easy access and manipulation, Keep only in place the wall plate;



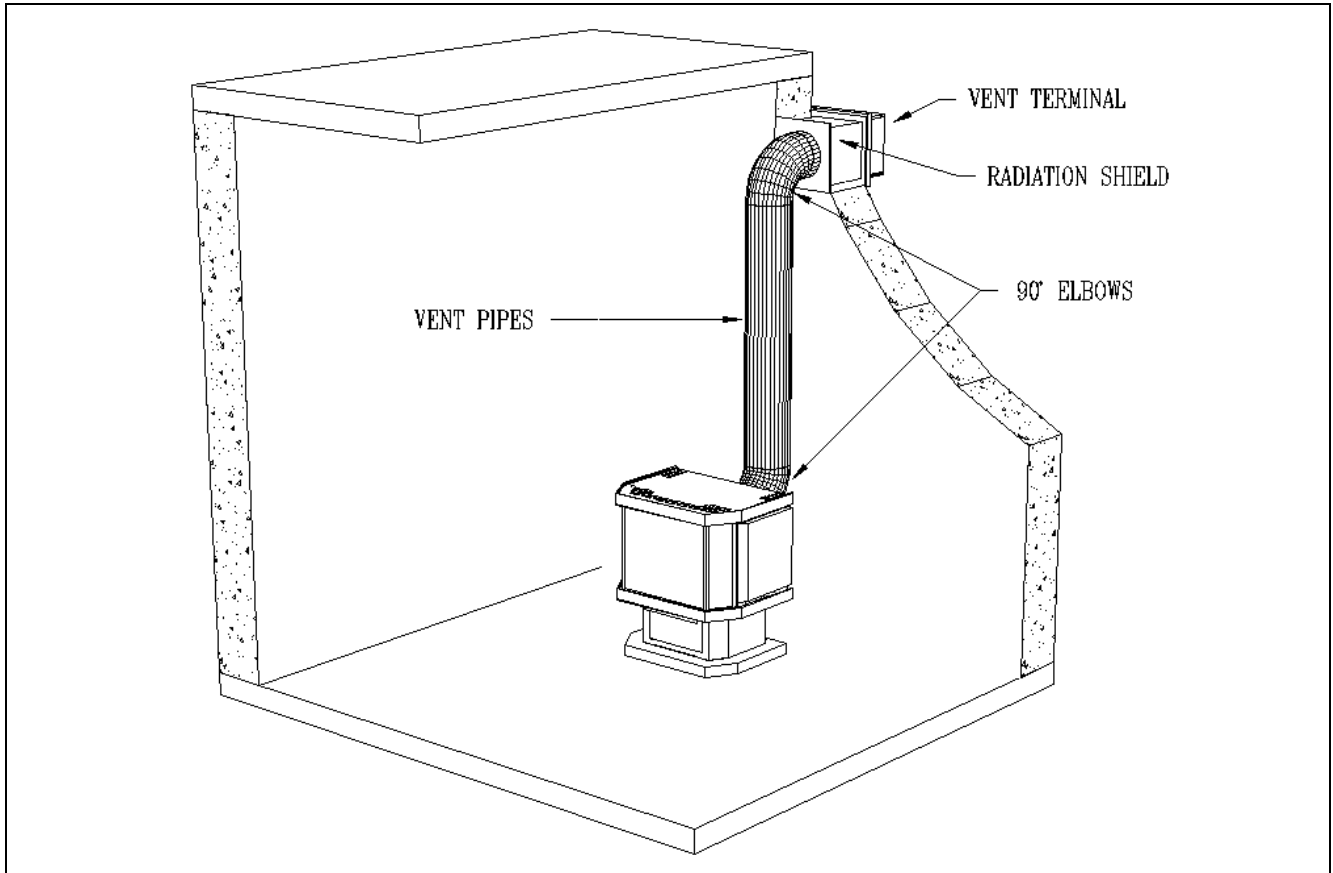
Floor Installation Details

6. Insert the 8 in. pipe into the round opening of the interior black wall plate (7). Fix the insulation pad (9) around the 8 in. pipe with the aluminum tape;
 7. Keeping the insulation joint of the 8 in. pipe down, insert it into the vent terminal wall plate;
 8. Secure the 8 in. pipe to vent terminal wall plate with the metal screw;
 9. Fix finally the vent terminal wall plate with six 2 1/2 in screws (12).
 10. Insert the 4 in. flexible pipe (3) into the 8 in. pipe and fix it to the vent terminal flange. Use high temperature silicone and one locking band to secure it in place;
- NOTE: All joints must be sealed with RTV silicone, 315°C. (600°F) temperature resistance.

10-1/2" X 10-1/2"
OPENING

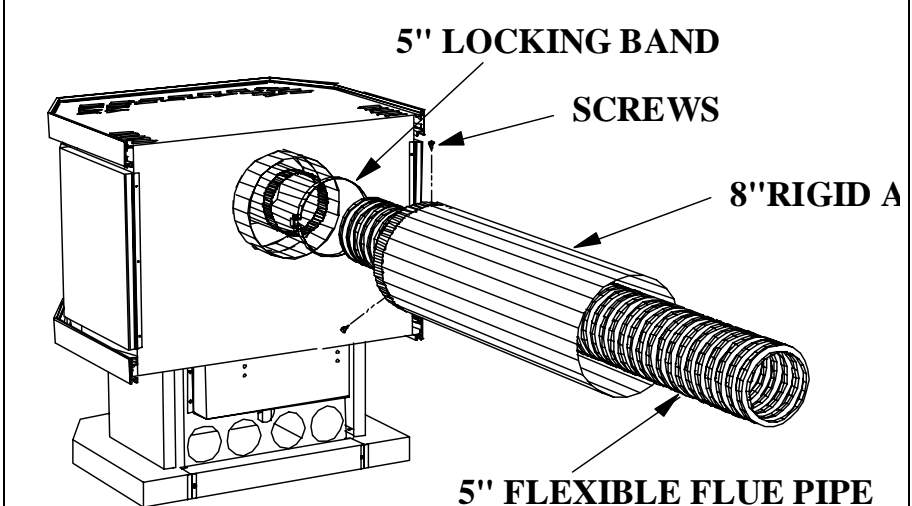


CUT TO LENGTH



11. Install the vent casing and the cover in place
12. Seal around the terminal to prevent water leakage into the house
13. Seal around the 8 in. pipe to prevent cold air to get into the house.
14. Seal around the cover slots to avoid water infiltration into the vent terminal;
15. Insert spring spacers onto the 4 in. flexible pipe;
Use all necessary rigid sections to meet your specific needs. Fix 8 in. pipes together with metal screws;

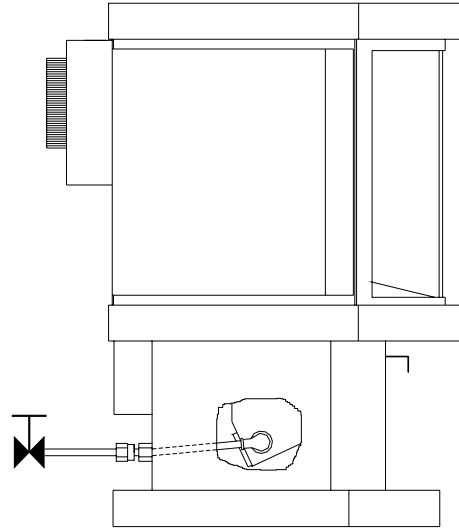
16. Put some high temp silicone on the stove's 5 in. flange. Insert the 5" x 4" reducer (17) on the stove flange. Slip one locking band (2) on the 4 in. pipe and secure it to the reducer. Make sure seal is perfect.
17. Fix the 8 in. pipe to the stove with three metal screws.
18. Fix Seal around the 8 in. pipe to prevent cold air to get into the house. your stove to the floor ;
19. Installation is now complete.



Gas Piping

- Move the ULTRA FLAME to the desired position.
- Mark the location for the gas inlet pipe and the location where the vent pipes will go through the wall. Remove the appliance.
- Route a 3/8" minimum NPT iron pipe gas line to the desired location.
- Install a shutoff valve to the gas line. Tighten securely using a pipe joint compound.
- Check the gas line piping for leaks. Use a soap and water solution.

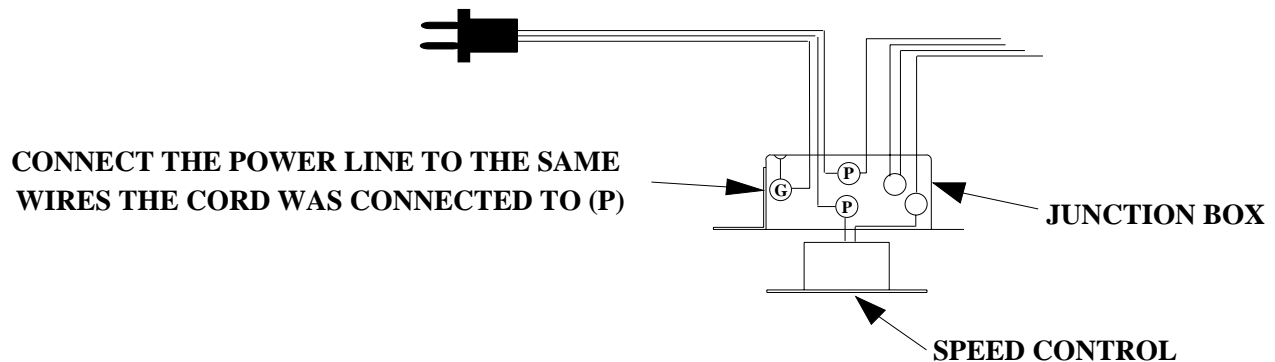
CAUTION: Do not use open flame to check leaks.



Electrical Connections

If you wish to make a direct electrical connection to the blower without using the six-foot cord supplied, route a 120 volt, 60 Hz electrical power supply line to the same location. Remove the power cord and connect the 120V line as per the following procedure:

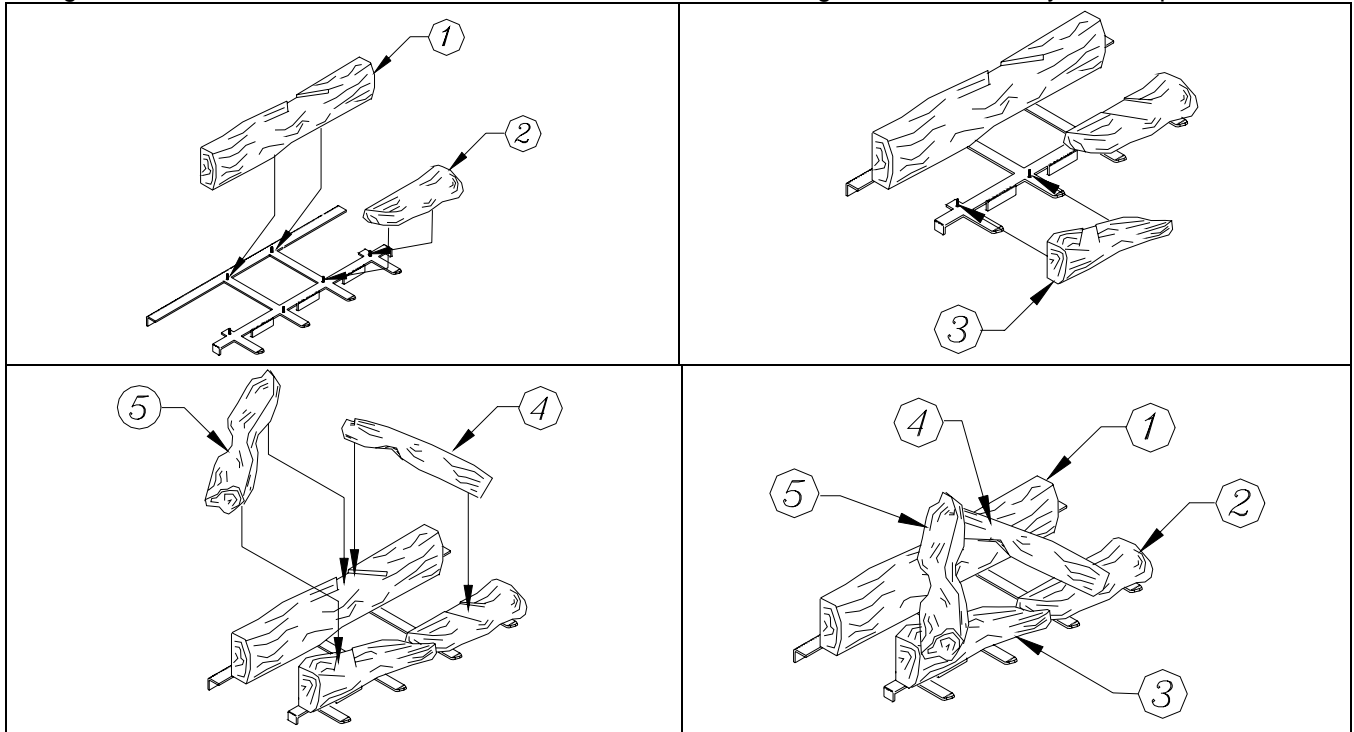
- Unscrew the speed control unit and pull a few inches away from the junction box
- Unscrew the two marr connectors attached to the cord (P) and the cord ground
- Remove the cord and route the supply line through the same holes
- Make the electrical connection with the same wires the cord was attached to
- Screw the ground wire to the junction box (G)
- Screw the speed control unit back in place



If you prefer to use the six-foot cord supplied, just connect it to a 120V outlet.

Logs Installation

1. Remove the front glass.
2. Locate the log grate in the retainers in the right and left rear corners.
3. Place the rear log (1) against the rear log stop. Make sure grooves under the log line up with the grate.
4. Place logs 2 and 3 against the stops in the middle of the grate. Again see that grooves in the bottom of the logs line up with the grate.
5. Place log 4 into the grooves of logs 1 and 2.
6. Log 5 sits over log 1 and 3.
7. Put the glass front assembly back in place.



Ember Kit Installation

CAUTION: Blocking gas ports with rock wool will result in poor light-up performance and delayed ignition.

1. Place some pieces of rock wool fibers approximately 1/2" large behind the front gas ports.
2. Never put too much of rock wool on the gas ports. The gas must pass through the burner easily.
3. Cover entirely the first row of the front gas ports. You may have more than one piece thick over the same gas port.
4. Light the stove. Modify the configuration of the rock wool on the gas ports until you reach the desired effect.
5. Make sure not to put too many pieces as this could result in an altered flame pattern and possible carbon deposition on the logs.

Bay Window Installation

Installation

- Put the front glass assembly back in position.
- Insert the hooks of all four clamps in the glass front slots.
- Tighten both top clamps simultaneously.
- Tighten both bottom clamps simultaneously.
- Close the side panels and install both decorative trim pieces.

Un-installation

- Let the stove cool down for at least one hour.
- Open both side panels.
- Open the four clamps.
- Remove the front glass assembly.

CAUTION: Do not operate your stove without bay window or with broken glass.

OPERATION OF YOUR STOVE

For your safety

CAUTION:



- **A qualified installer must perform installation of the appliance, venting, piping and adjustments.**
- **During operation, this stove is hot. Do not touch. Keep children, clothing and flammable materials away**
- Hot when in operation. Keep children, furniture, clothing and flammable material away from the appliance.
- Make sure your stove is in good condition. Verify that the bay window close perfectly, all controls works as per specification. Vents must be in perfect condition.
- Make sure your stove has been fabricated in respect with the type of gas you are using. Refer to the rating plate installed on the back of your stove.
- The appliance and its individual shutoff valve must be disconnected from the gas supply piping system during any pressure testing of that system at test pressures in excess of ½ psi (3.5 kPa); The appliance must be isolated from the gas supply piping system by closing its individual manual shutoff valve during any pressure testing of the gas supply piping system at test pressures equal to or less that ½ psi ;
- Do not use this appliance if any part has been under water. Immediately call a qualified service technician to inspect the appliance and to replace any part of the control system and any gas control, which has been under water. Make sure that there are no obstructions in the air intake or venting system.
- Clear the immediate area of combustible materials, gasoline, and other flammable liquids and vapors.
- Make sure that the gas log is in its proper place.

Lighting Instructions


During the first few hours of operation the appliance will release an odor. This is caused by the burning off of residual oils used in the manufacturing process and by the curing of the high heat paint. Open a window to get fresh air inside the house. The ceramic glass window may require cleaning after this initial fire. Please read the instructions on cleaning in the MAINTENANCE section before doing so.

First Lighting

WARNING : If you do not follow these lighting instructions exactly, a fire or explosion may result causing property damage, personal injury, or loss of life.

- Open the pedestal cover front panel to reach the control.
- Make sure the gas control knob is turned to the "OFF" position. If it is not, press knob slightly and turn clockwise  to the "OFF" position. Do not force the gas control knob. If the gas control was in the on position you should wait 5 minutes before trying to re-light the stove.
- If you smell gas STOP and follow instructions on the COVER page.
- Locate the pilot on the left side Push in and turn gas control knob counterclockwise  to the "pilot" position.
- Press gas control knob in and hold. Immediately push the red igniter button repeatedly until pilot flame ignites. Continue holding in the control knob for 5 to 10 seconds, and then release it. If the pilot flame goes out, repeat this step.

Note: you might have to push couple of times the igniter (red button) before getting a pilot flame.

- Push and turn gas control knob counterclockwise  to the "ON" position. The burner flame will light.

IMPORTANT NOTE:

- ❖ The gas valve is equipped of a thermopile (thermo generator) and a thermocouple. The thermopile while warm up by the pilot flame supplies the necessary energy to the operation of the gas control valve. As long as there's no flame failure, the valve let the gas flowing in the stove.
- ❖ **Let your stove cool down between two lightings:** If you attempt to relight your appliance while the thermocouple is still warm, the control valve won't let the gas flow to the burner. Wait few minutes to cool the thermocouple down.

Shut down Instructions

To turn the burner OFF

- Push in and rotate the gas control knob clockwise ↻ to "PILOT" position. Do not force.

To turn the pilot OFF

- Push in and rotate the gas control knob clockwise ↻ to "OFF" position. Do not force.

Optional Blower

The blower control contains a variable speed switch and a thermal switch. When the stove is operating, the thermal switch will turn on at 120° F, allowing the blower to operate. When the stove cools to 90° F, the thermal switch turns off the blower in about 40 minutes. This prevents the blower from operating when the stove is not in use.

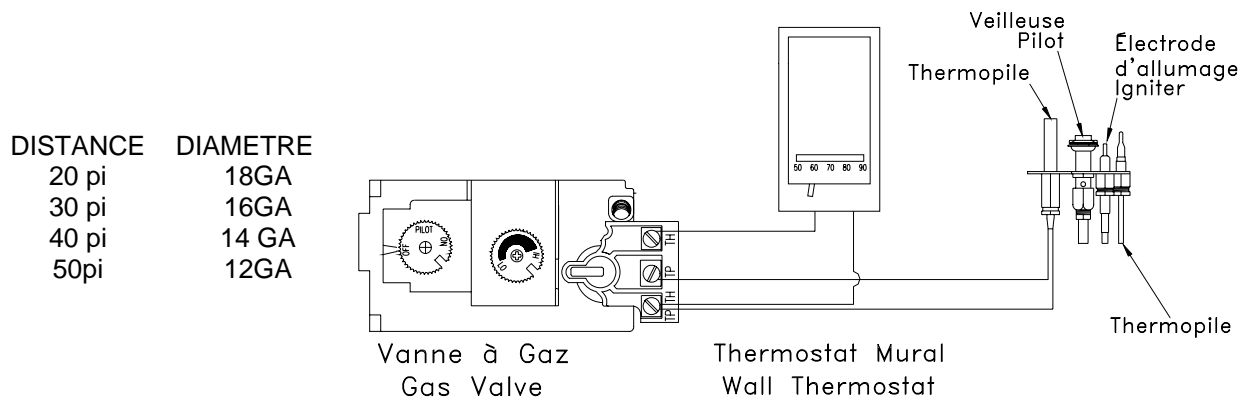
The blower not only helps circulate air throughout the room, it also increases the heat transfer efficiency of the ULTRA FLAME.

NOTE: Wiring, speed control and thermo switch are pre-install at the factory. Blower installation is quick and simple.

Optional Wall Thermostat

REMOVE THE BLUE JUMPER BETWEEN TH & TPTH SCREWS ON THE GAS VALVE.

The optional wall thermostat will automatically keep your room at an even temperature. You need to choose a convenient location for the thermostat. Remember that it should be at least 10 feet from the stove and away from direct radiation of the fire. Run the correct gauge wire (see table) from the valve to the thermostat and wire as shown in the diagram.



To use your ULTRA FLAME using the wall thermostat, follow the lighting procedure and set the gas control to the ON position. Simply set your wall thermostat to a comfortable temperature and the stove will do the rest.

MAINTENANCE INSTRUCTIONS

TURN OFF THE GAS WITH THE SHUTDOWN VALVE AND DISCONNECT THE ELECTRICAL POWER BEFORE SERVICING THE APPLIANCE.

Yearly maintenance

- The venting system and the gas stove should be inspected at least once a year.
- Remove the front glass and the logs and clean them if necessary.
- The control compartment, air circulating passages, firebox, logs and burner should be cleaned at least once a year by vacuuming or brushing.
- Check the pilot flame to see if it is adjusted properly. Readjust the pilot flame if necessary (as described below) or clean the pilot orifice if readjustment is not possible.
- Check the burner for flame lifting or for unusual flame pattern. If necessary clean the burner orifice. For more information, see "Adjustments" in the INSTALLATION section.
- Keep the area clear and free from combustible materials, gasoline and other flammable vapors and liquids.

Burst Disc Replacement

If the burst disc under the burner moves from its location, it must be put back in place into the silicone seal. Make sure the switch is depressed all the way during the installation. Otherwise the appliance will not operate.

ATTENTION

- Never glue or lubricate the disc to the silicone seal.
- Do not put any object under the disc.

Bay window

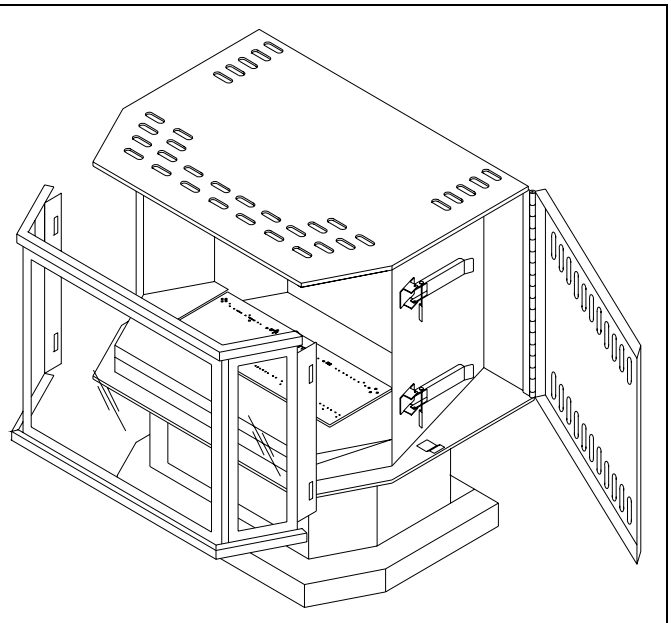
We have supplied your ULTRA FLAME with special ceramic glass, which will withstand the heat from the unit without cracking. Be careful not to hit the glass.

Cleaning

- Never clean this glass with abrasive cleaners ;
- Use only a cleaner recommended by your dealer.) ;
- Never clean glass while it is still hot.
- Do not operate the stove with the glass broken or removed

Repairing

- Ask your Drolet dealer to provide to you an appropriate replacement glass.
- Remove the bay window
- Remove front as explained above. With a 5/16" nut driver remove all nuts holding the glass retainers. Carefully remove retainers and seal.
- If the gasket is damaged, replace it with a identical one.
- To get a new gasket, refer to you DROLET dealer.



Burner

Removing the Burner

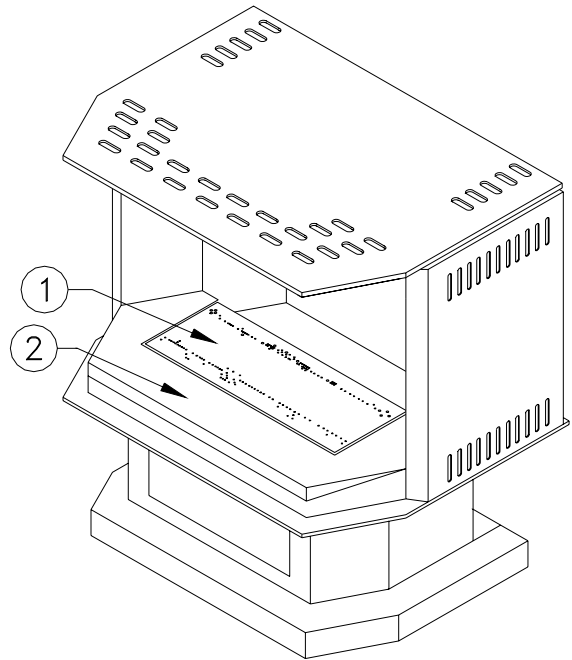
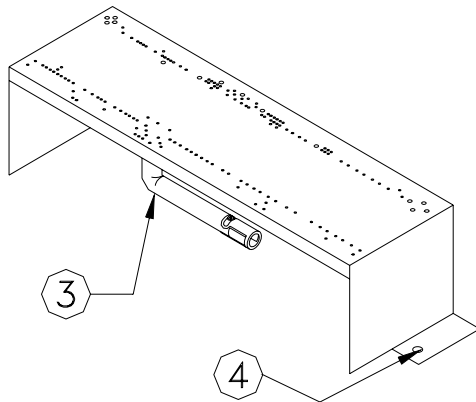
- Remove the glass front assembly. Lift out the grate and hearth insert around burner. Unscrew the burner from the bottom of the combustion chamber,
- Slide the burner out from the ventury towards left. Get it out from the stove.

Burner Installation

- Get the burner back in place and push it towards right until the main orifice enters into the ventury.
- The o-ring gasket must be in place between the main orifice;
- Screw the burner back into the bottom of the combustion chamber.

Air Shutter Adjustment

- Loosen the screw of the air shutter on the ventury (3) in order to increase/decrease the opening.
- The factory setting for the air shutter is fully closed for natural gas, and fully open for propane
- After operating the appliance 30 minutes, the flames should have turned a nice yellow color.
- In higher altitudes you may find a smudging up of the glass after a few days. The shutter should then be adjusted open in 1/16" increments until the glass stays clear and the flame turns yellow.



WARNING :
The main orifice (burner must be well inserted into the ventury tube. Damages during lighting could happened.

Gas Valve SIT 820 mV

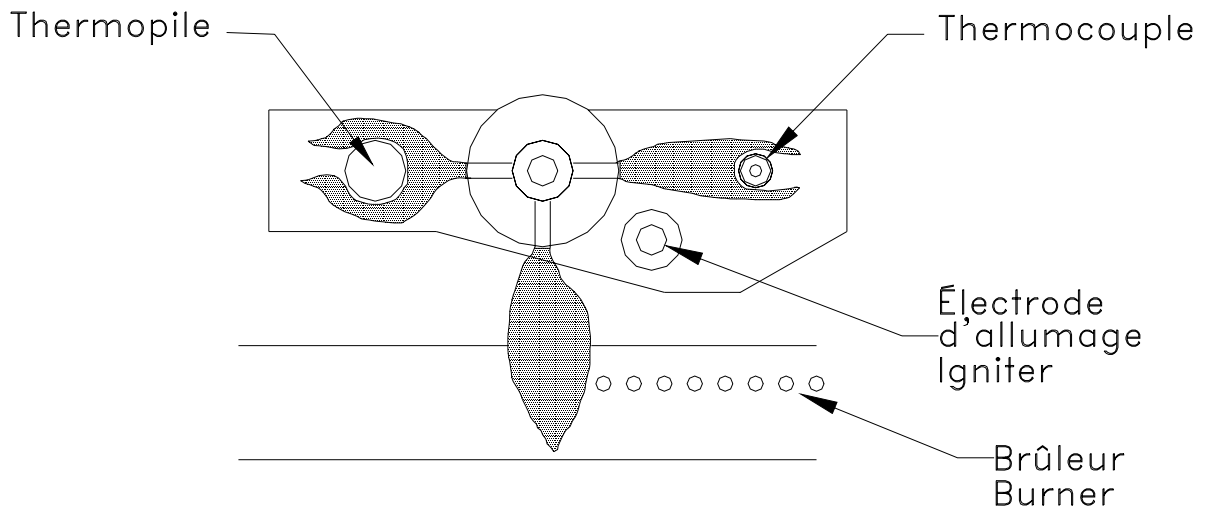
WARNING: Adjustments to the valve assembly must be performed by a qualified service person.

The maximum manifold pressure is set at the factory at 3.5INWC for natural gas and 10.5INWC for propane.

Maximum Pressure Adjustment, Altitude Installation

- Remove the manifold pressure adjustment cover. The gas control knob must then be removed using a special screwdriver. Rotate and reinstall the knob so that the maximum pressure reading is correct
- Locate the two pressure test taps. Check line pressure or manifold pressure by loosening the small screw inside the tap with a flat-head screwdriver about one turn. Connect pressure gauge using a ¼" I. D. rubber hose.
- Ensure the line pressure falls within the allowable limits and adjust the manifold pressure according to the elevation table. The pilot should have a strong blue flame, which engulfs the thermopile and the thermocouple. If there is any yellow in the pilot flame tips, the gas flow must be reduced by adjusting the pilot pressure adjustment screw.
- The appliance and its individual shutoff valve must be disconnected from the gas supply piping system during any pressure testing of that system at test pressures in excess of ½ psi (3.5 kPa);
- The appliance must be isolated from the gas supply piping system by closing its individual manual shutoff valve during any pressure testing of the gas supply piping system at test pressures equal to or less that ½ psi (3.5 kPa);

Pilot Assembly



OPTIONS

DESCRIPTION

Millivolt Wall Thermostat
 Blower
 Direct Vent Kit
 Direct Vent Kit Corner Installation
 Direct Vent Kit Basement Installation
 Direct Vent Kit Floor Installation

Part

AC05558
 AC05529
 AC05506
 AC05507
 AC05509
 AC05502

REPLACEMENT PARTS

DESCRIPTION

5 logs set
 Burner (natural gas)
 Burner (Propane gas)
 Orifice natural gas
 Orifice propane gas
 Pilot SIT natural gas
 Pilot SIT propane gas
 Thermocouple SIT
 Piezo
 Natural gas valve Nova SIT 820
 Propane gas valve Nova SIT 820
 Front glass
 Side Glass
 Speed Control
 Thermostat

Part

AC05791
 SE09021NG
 SE09021LP
 9071
 9071-01
 49103
 49106
 49122
 49128
 49133
 49126
 SE7601-03
 SE7601-04
 44080
 44044



STOVES & FIREPLACES

1700, rue Léon-Harmel, Québec (Québec) G1N 4R9

tel. : (418) 527-3060 fax : (418) 527-4311

e-mail : tech@drolet.ca web site : drolet .ca

LIMITED WARRANTY

The manufacturers warranty extends only to the original consumer purchaser and is not transferable. This warranty covers brand new products only, which have not been altered, modified nor repaired since shipment from factory. Proof of purchase (dated bill of sale), model name and serial number must be supplied when making any warranty claim to your Drolet Stoves & Fireplaces dealer

This warranty applies to normal residential use only. Damages caused by misuse, abuse, improper installation, lack of maintenance, over firing, negligence or accident during transportation are not covered by this warranty.

This warranty does not cover any scratch, corrosion or discoloration caused by over firing, abrasives or chemical cleaners. Any defect or damage caused by the use of unauthorized parts or others than original parts void this warranty.

An authorized qualified technician must perform the installation in accordance with the Instructions supplied with this product and all local and national building codes. Any service call related to an improper installation is not covered by this warranty.

Returned products are to be shipped prepaid to Drolet Stoves & Fireplaces for investigation. If a product is found to be defective, Drolet Stoves & Fireplaces will repair or replace such defect and reasonable transportation fees will be refunded. Repair work covered by the warranty, executed at the purchaser domicile by an authorized qualified technician requires the prior approval of Drolet Stoves & Fireplaces. Labour cost and repair work to the account of Drolet Stoves & Fireplaces are based on predetermined rate schedule and must not exceed the wholesale price of the replacement part.

Drolet Stoves & Fireplaces at its discretion may decide to repair or replace any part or unit after inspection and investigation of the defect. Drolet Stoves & Fireplaces may, at its discretion, fully discharge all obligations with respect to this warranty by refunding the wholesale price of any warranted but defective parts

Drolet Stoves & Fireplaces shall in no event be responsible for any special, indirect, consequential damages of any nature, which are in excess of the original purchase price of the product.

DESCRIPTION	WARRANTY APPLICATION	
	PARTS	LABOUR
Combustion chamber (weldings only)	5 years	5 years
Stainless baffle	5 years	1 year
Carbon Steel baffle	2 years	1 year
Gas Valve, piezo, thermopile, thermoswitch, burner	1 year	1 year
Logs	N/A	N/A
Ceramic glass (thermal breakage only)	5 years	N/A
Paint, gasket, blower, Blower thermoswitch and rheostat	1 year	N/A
Gold plating (tarnishing)	5 years	N/A

Shall your unit or a components be defective, contact immediately your **Drolet Stoves & Fireplaces** dealer. Prior to your call make sure you have the following information necessary to your warranty claim treatment:

- You name, address and telephone number;
- Bill of sale, dealer's name;
- Serial number and model name as indicated on the nameplate fixed to the back of your unit;
- Nature of the defect and any relevant information.

Before shipping your unit or defective component to our plant, you must obtain from your Drolet Stoves & Fireplaces dealer an Authorization Number. Any merchandise shipped to our plant without authorization will automatically be refused and returned to sender.