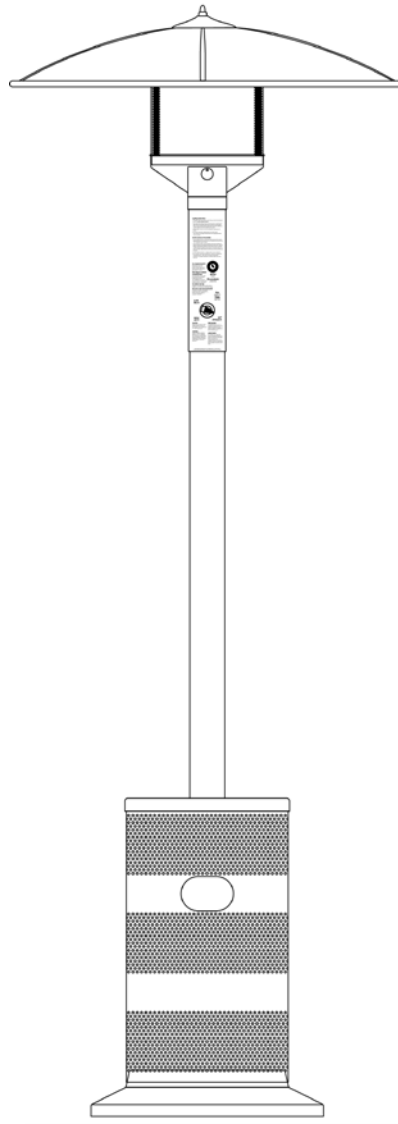




Outdoor Patio Heater Model No. GWU9209W / UB093-003-73-19



	DANGER
CARBON MONOXIDE HAZARD	
<ul style="list-style-type: none"> • This appliance can produce carbon monoxide which has no odor. • Using it in an enclosed space can kill you. • Never use this appliance in an enclosed space such as a camper, tent, car or home. 	

	WARNING
FOR YOUR SAFETY:	
For Outdoor Use Only (outside any enclosure)	

	WARNING
FOR YOUR SAFETY:	
<p> Improper installation, adjustment, alteration, service or maintenance can cause injury or property damage.</p> <p> Read the installation, operation, and maintenance instructions thoroughly before installing or servicing this equipment.</p> <p> Failure to follow these instructions could result in fire or explosion, which could cause property damage, personal injury, or death.</p>	

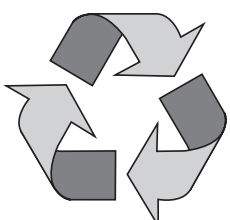
Table of Contents

Important Safeguards	Page 2
Exploded View & Hardware	3
Assembly Instructions	4
Instalilling LP Gas Tank	7
Insert LP Gas Tank	7
Secure LP Gas Tank	7
Connect LP Gas Tank	7
Disconnect LP Gas Tank	7
Operating Instructions	8
Checking for Leaks	8
Before Lighting	8
Lighting	8
When heater is ON	8
Re-Lighting	8
Shutdown	8
Cleaning and Care	8
Cleaning Surfaces	8
Maintenance	9
Storage	9
Product Registration	9
Limited Warranty	9
Troubleshooting	10
Specifications	10

The use and installation of this product must conform to local codes. In absence of local codes, use the *National Fuel Gas Code, ANSI Z223.1/NFPA 54, CAN/CGA-B149.1, Natural Gas and Propane Installation Code.*

California Proposition 65: Chemicals known to the State of California to cause cancer, birth defects, or other reproductive harm are created by the combustion of propane.

Save these instructions for future reference. If you are assembling this unit for someone else, give this manual to him or her to read and save for future reference.



Made from 70% Bagasse
(Environmentally Friendly Sugar
Cane Pulp By-product)



Manufactured in China for:
Blue Rhino Global Sourcing, Inc
Winston-Salem, NC 27105 USA • 1.800.762.1142, www.bluerhino.com

© 2008 Blue Rhino Global Sourcing, Inc. All Rights Reserved.
Blue Rhino® is a Registered Trademark of Ferrellgas, L.P. All Rights Reserved

DANGERS and WARNINGS: FOR YOUR SAFETY**DANGER**

If you smell gas -

1. Shut off gas to appliance.
2. Extinguish any open flame.
3. If odor continues, immediately call your gas supplier or your fire department.

**WARNING
FOR YOUR SAFETY**

1. Do not store spare LP cylinder within 10 feet (3.05 m) of this appliance.
2. Do not store or use gasoline or other flammable vapors and liquids within 25 feet (7.62 m) of this or any other appliance.
3. An LP cylinder not connected for use shall not be stored in the vicinity of this or any other appliance.

▲ **DANGER:** Failure to follow the dangers, warning and cautions in this manual may result in serious bodily injury or death, or in a fire or an explosion causing damage to property.

- ▲ **WARNING:**
- ▲ This heater is for outdoor use only, and shall not be used in a building, garage, or any other enclosed area.
 - ▲ Always maintain at least 36" clearance (top), and 24" clearance (side) from combustible materials.
 - ▲ This heater is for use with liquid propane (LP) gas only. The conversion to or attempted use of natural gas in this LP gas heater is dangerous and will void your warranty.
 - ▲ LP gas Characteristics:
 - a. LP gas is flammable and hazardous if handled improperly. Become aware of the characteristics before using any LP gas product.
 - b. LP gas is explosive under pressure, heavier than air, and settles and pools in low areas.
 - c. LP gas in its natural state has no odor. For your safety, an odorant is added that smells like rotten cabbage.
 - d. Contact with LP gas can cause freeze burns to skin.
 - ▲ LP gas tank needed to operate. Only tanks marked "propane" may be used.
 - ▲ The LP gas supply tank must be constructed and marked in accordance with the *Specifications for LP gas Cylinders* of the U.S. Department of Transportation (DOT) or the National Standard of Canada, *CAN/CSA-B339, Cylinders, Spheres and Tubes for the Transportation of Dangerous Goods; and Commission*.
 - ▲ LP gas tank must be arranged for vapor withdrawal.
 - ▲ The LP gas tank must have a listed overfilling prevention device (OPD).
 - ▲ Only use 20-pound cylinders equipped with a cylinder connection device compatible with the connection for outdoor cooking appliances.
 - ▲ The LP gas tank must have a tank collar to protect the tank valve.
 - ▲ Never use an LP gas tank with a damaged body, valve, collar, or footing.
 - ▲ Dented or rusted LP gas tanks may be hazardous and should be checked by your LP gas supplier prior to use.
 - ▲ The LP gas tank should not be dropped or handled roughly.
 - ▲ Tanks must be stored outdoors out of the reach of children and must not be stored in a building, garage, or any other enclosed area. Your tank must never be stored where temperatures can reach over 125°F.
 - ▲ Never keep a filled LP gas tank in a hot car or car trunk. Heat will cause the gas pressure to increase, which may open the relief valve and allow gas to escape.
 - ▲ Do not store a spare LP gas tank under or near this appliance.
 - ▲ Never fill the tank beyond 80 percent full.
 - ▲ Never attempt to attach this heater to the self-contained LP gas system of a camper trailer, motor home, or house.
 - ▲ The use of alcohol, or prescription or non-prescription drugs may impair the consumer's ability to properly assemble or safely operate the appliance.
 - ▲ Your heater has been checked at all factory connections for leaks. Recheck all connections, as movement in shipping can loosen connections.
 - ▲ Check for leaks even if your unit was assembled for you by someone else.
 - ▲ Do not operate if gas leak is present. Gas leaks may cause a fire or explosion.
 - ▲ You must follow all leak-checking procedures before operating. To prevent fire or explosion hazard when testing for a leak:
 - a. Always perform leak test before lighting the heater and each time the tank is connected for use.
 - b. No smoking. Do not use or permit sources of ignition in the area while conducting a leak test.
 - c. Conduct the leak test outdoors in a well-ventilated area.
 - d. Do not use matches, lighters, or a flame to check for leaks.
 - e. Do not use heater until any and all leaks are corrected.
If you are unable to stop a leak, disconnect the LP gas supply. Call a gas appliance serviceman or your local LP gas supplier.
 - ▲ Do not store or use gasoline or other flammable liquids or vapors within 25 feet (7.62 m) of this appliance.
 - ▲ Do not use in an explosive atmosphere. Keep heater area clear and free from combustible materials, gasoline and other flammable vapors and liquids.
 - ▲ Keep all combustible items and surfaces away from the heater at all times. DO NOT use this heater or any gas product under any overhead or near any unprotected combustible constructions.
 - ▲ Combustion of propane creates carbon monoxide, which, when used in enclosed areas, can kill you.
 - ▲ It is essential to keep the heater's valve compartment, burners, and circulating air passages clean. Inspect heater before each use.
 - ▲ Installation and repair should be done by a qualified service person.
 - ▲ Do not alter heater in any manner.
 - ▲ Do not use the heater unless it is COMPLETELY assembled and all parts are securely fastened and tightened.
 - ▲ This heater should be thoroughly inspected before each use. Clean and inspect the hose before each use of the appliance. If there is evidence of abrasion, wear, cuts, or leaks, the hose must be replaced prior to the appliance being put into operation.
 - ▲ Use only the regulator and hose assembly provided. The replacement regulator and hose assembly shall be that specified by the manufacturer.
 - ▲ Inspect heater before each use. If a damaged part is detected, do not operate until an original equipment replacement part has been properly installed.
 - ▲ Use only Blue Rhino Global Sourcing, Inc. factory authorized parts. The use of any part that is not factory authorized can be dangerous. This will also void your warranty.
 - ▲ Dome and burner are extremely hot to the touch during operation. Never touch the dome or burner while the heater is operating. Wait for unit to cool down (approximately 45 minutes) after use.
 - ▲ During operation, do not touch burner assembly. The surface of heater's emitter can reach temperatures approaching 1600°F.
 - ▲ Do not install or use in or on boats or recreational vehicles.
 - ▲ Do not use heater in winds that exceed 10 m.p.h..
 - ▲ Unit will operate at reduced efficiency below 40°F (5°C).
 - ▲ Do not leave a lit heater unattended, especially keep children and pets away from heater at all times.
 - ▲ Always use extreme caution when near heater. Alert both children and adults to the hazards of high temperatures, especially to avoid burns or clothing catching fire.
 - ▲ Do not attempt to move heater when in use. Allow the heater to cool before moving or storing.
 - ▲ Storage of heater indoors is permissible only if the tank is disconnected, removed from the heater and properly stored outdoors.
 - ▲ Do not attempt to disconnect the gas regulator from the tank or any gas fitting while the heater is in use.
 - ▲ Always place your heater on a hard, level surface.
 - ▲ Use extreme caution on wooden decks.
 - ▲ Move gas hoses as far away as possible from hot surfaces.
 - ▲ Keep all electrical cords away from a hot heater.
 - ▲ Do not use heater for indoor cooking or heating. TOXIC fumes can accumulate and cause asphyxiation.
 - ▲ Keep sprinklers and other water sources away from burner and controls.
 - ▲ Do not hang clothing or other flammable materials either on or near heater.
 - ▲ Always allow heater to cool before attempting service.
 - ▲ Any guard or other protective device removed for servicing the heater must be replaced prior to operating the heater.
 - ▲ Certain materials or items, when stored under heater, will be subjected to radiant heat and could be seriously damaged.
 - ▲ After a period of storage and/or nonuse, check for leaks, burner obstructions and inspect for any abrasion, wear, cuts to the hose.
 - ▲ If at any time you are unable to light burner and smell gas, wait 5 minutes to allow gas to dissipate before attempting to light heater.
 - ▲ Failure to not wait 5 minutes to allow the gas to clear if the heater does not light, may result in an explosive flame-up.
 - ▲ Be careful when attempting to manually ignite this heater. Holding in the control knob for more than 10 seconds before igniting the gas will cause a ball of flame upon ignition.
 - ▲ Avoid inhaling fumes emitted from the heater's first use. Smoke and odor from the burning of oils used in manufacturing will appear. Both smoke and odor will dissipate after approximately 30 minutes. The heater should NOT produce thick black smoke.
 - ▲ If heater is not in use, the gas must be turned off at the supply tank.
 - ▲ Do not use this appliance without reading "Operating Instructions" in this manual.
 - ▲ Deaths, serious injury or damage to property may occur if the above is not followed exactly.

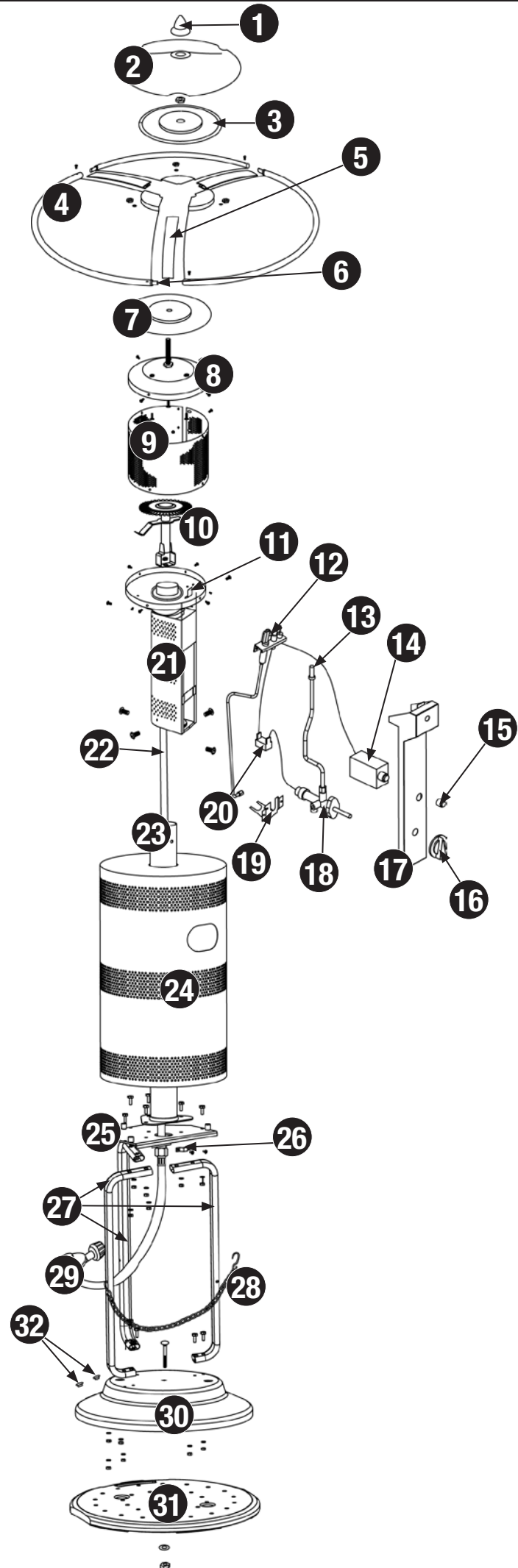
Contact 1.800.762.1142 for assistance. Do not return to place of purchase.

Parts List

1	Finial	56-01-103
2	Dome Cap	56-01-104
3	Dome Plate	56-01-105
4	Dome Panel (3)	56-01-106
5	Dome Rib (3)	56-01-109
6	Dome Pin* (3)	56-01-459
7	Bottom Plate	56-01-110
8	Emitter Top*	56-01-399
9	Emitter Screen*	56-01-118
10	Burner*	56-01-334
11	Pilot Heat Shield*	56-01-151
12	Pilot Assembly*	56-01-127
13	Burner Orifice*	56-01-131
14	Electronic Igniter*	56-01-142
15	Igniter Button*	56-01-188
16	Control Knob*	56-01-156
17	Access Panel*	56-01-140
18	Valve*	56-01-144
19	Valve Bracket*	56-01-463
20	Tip Switch*	56-01-019
21	Valve Housing*	56-01-144
22	Gas Line	56-01-190
23	Pole	56-01-158
24	Shroud	56-01-164
25	Platform	56-01-165
26	Gas Line Clip	56-01-213
27	Leg (3)	56-01-491
28	Tank Retention Chain	56-01-186
29	Regulator/Hose Assembly	56-01-192
30	Base	56-01-196
31	Weight Plate	56-01-198
32	Wheel Hole Plug (2)*	56-01-402

* Pre Assembled

Exploded View

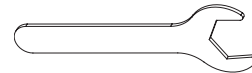


Hardware

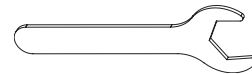
A	Screw	5/32" - 32 x 8 Stainless Steel Round Head	3 pcs
B	Screw	3/16" - 24 x 15 Black Zinc Plated Philips Head	2 pcs
C	Screw	1/4" - 20 x 16 Stainless Steel Philips Head	4 pcs
D	Bolt	5/16" - 18 x 30 Nickel Plated Hex Head	12 pcs
E	Bolt	3/8" - 16 x 35 Stainless Steel Hex Head	1 pc
F	Bolt	3/8" - 16 x 95 Zinc Plated Hex Head	1 pc
G	Nut	1/4" - 20 Nickel Plated Hex	3 pcs
H	Nut	5/16" - 18 Nickel Plated Hex	12 pcs
I	Nut	3/8" - 16 Stainless Steel Hex	1 pc
J	Nut	3/8" - 16 Nickel Plated Hex	1 pc
K	Lock Washer	ø8 Nickel Plated	12 pcs
L	Lock Washer	ø10 Nickel Plated	1 pc
M	AA Battery	AA Battery	1 pc

Tools Required for Assembly (Not Included)

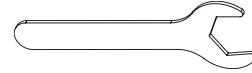
7/16" Wrench



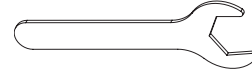
1/2" Wrench



9/16" Wrench



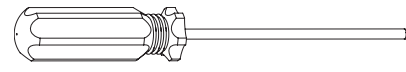
3/4" Wrench



1/2" Socket and Socket Wrench



#2 Phillips Head Screwdriver



Assembly Instructions

1 DO NOT RETURN PRODUCT TO STORE.

For assistance call **1.800.762.1142** toll free. Please have your owner's manual and serial number available for reference.

For Easiest Assembly:

- To avoid losing any small components or hardware, assemble your product on a hard level surface that does not have cracks or openings.
- Clear an area large enough to layout all components and hardware.
- When applicable, tighten all hardware connections by hand first. Once the step is completed go back and fully tighten all hardware.
- Follow all steps in order to properly assemble your product.

To complete assembly you will need:

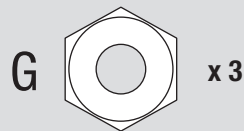
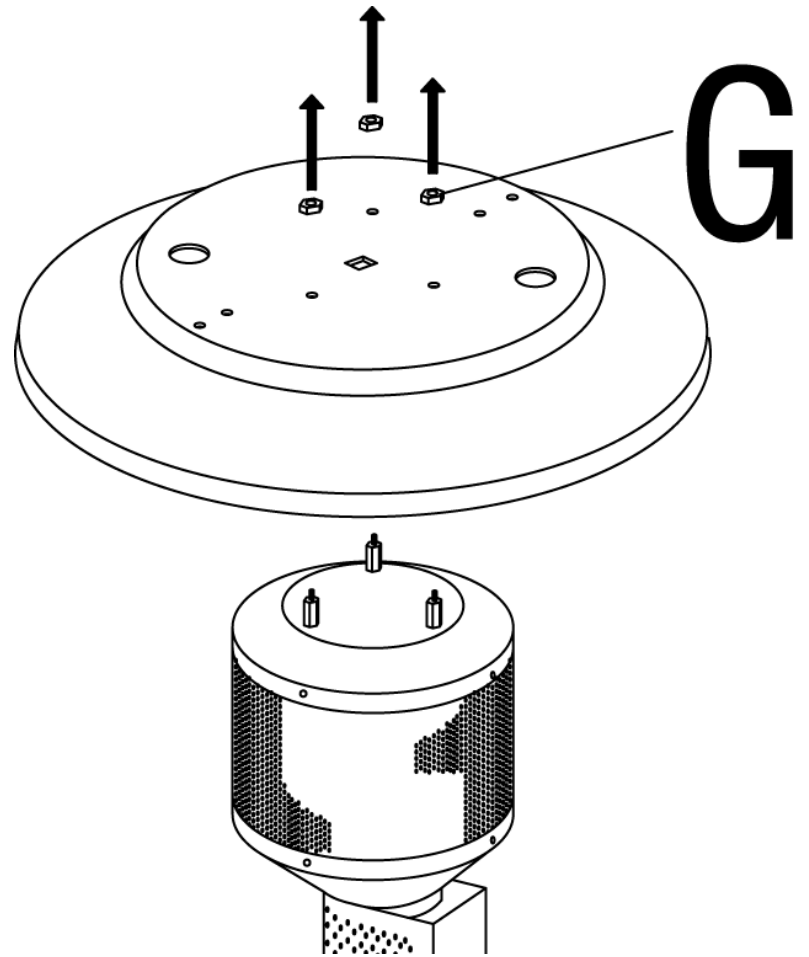
- (1) Leak Detection Solution (Instructions on how to make solution are included in step Operations Section)
- (1) Precision Filled LP Gas Grill Tank with Acme Type 1 external threaded valve connection (4-5 gallon size)

Note: You must follow all steps to properly assemble heater.

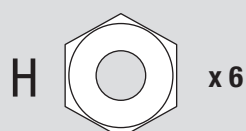
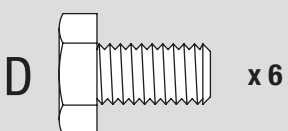
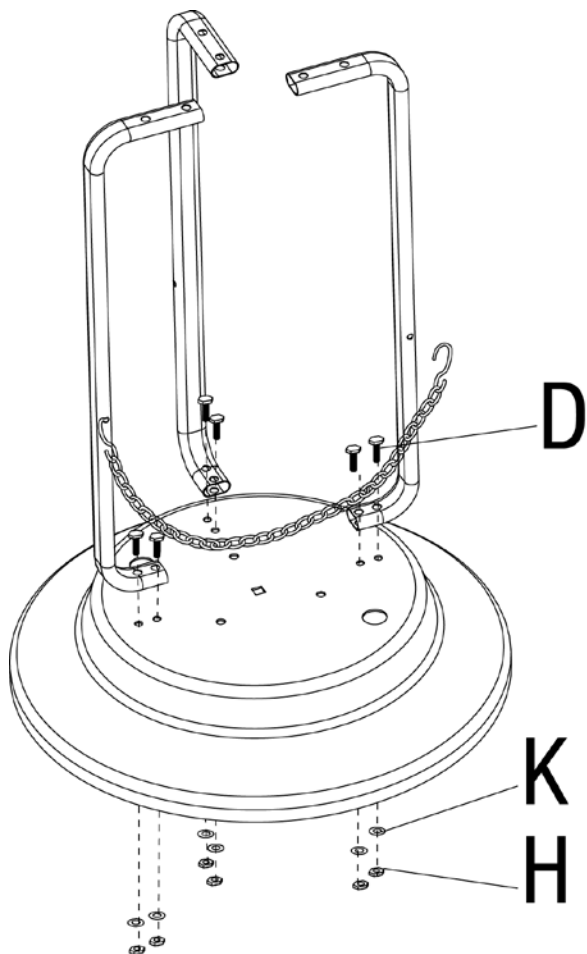
Typical assembly: approximately 1 (one) hour.

2 Remove Base

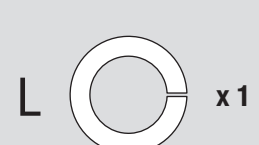
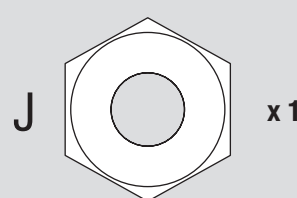
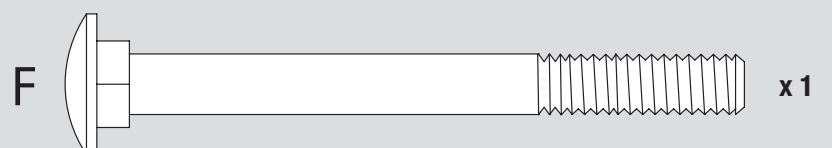
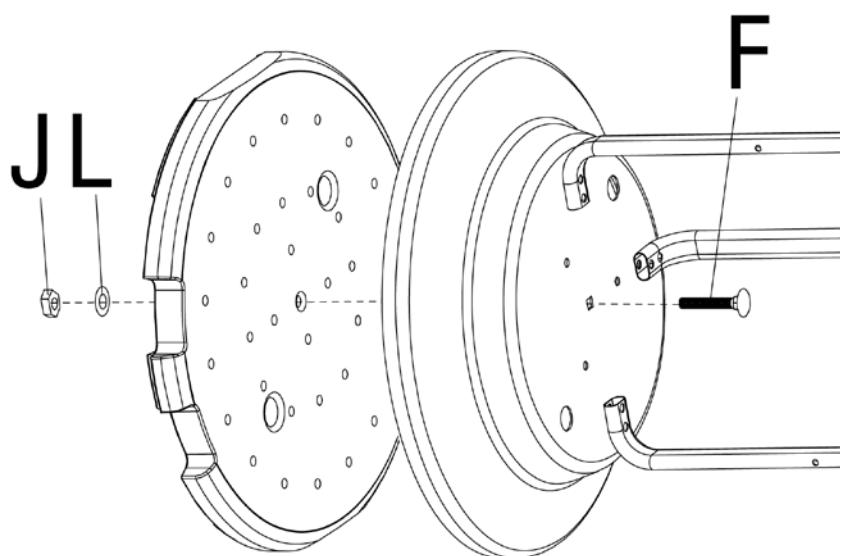
Note: Retain these nuts as you will use them in another step.



3 Attach Legs

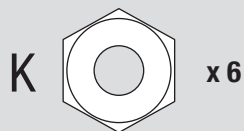
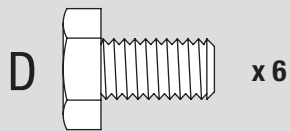
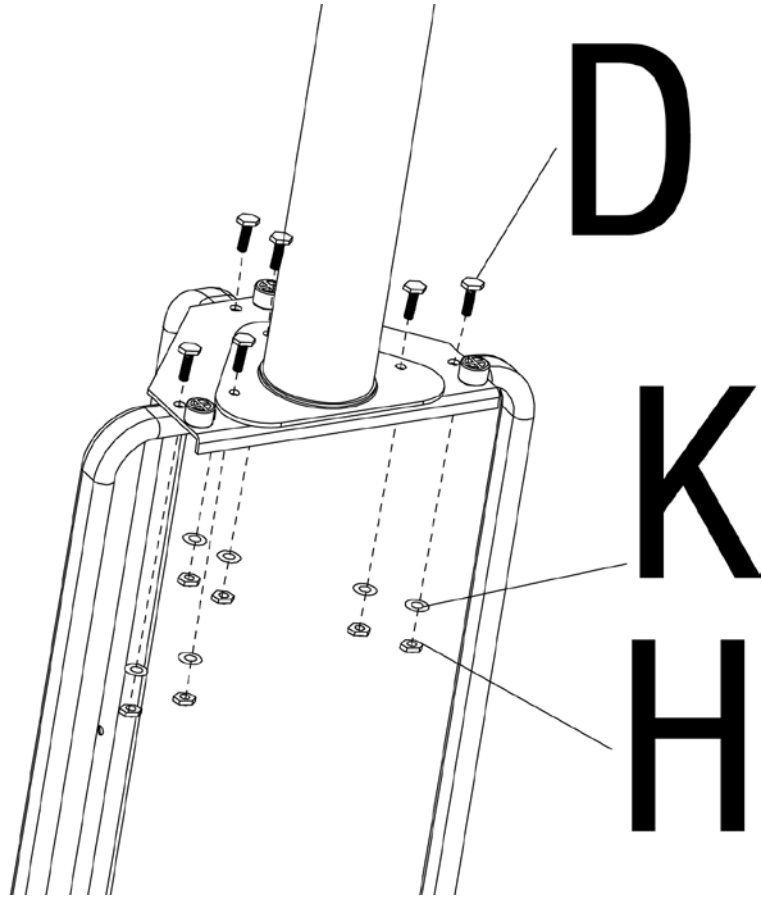


4 Attach Weight Plate

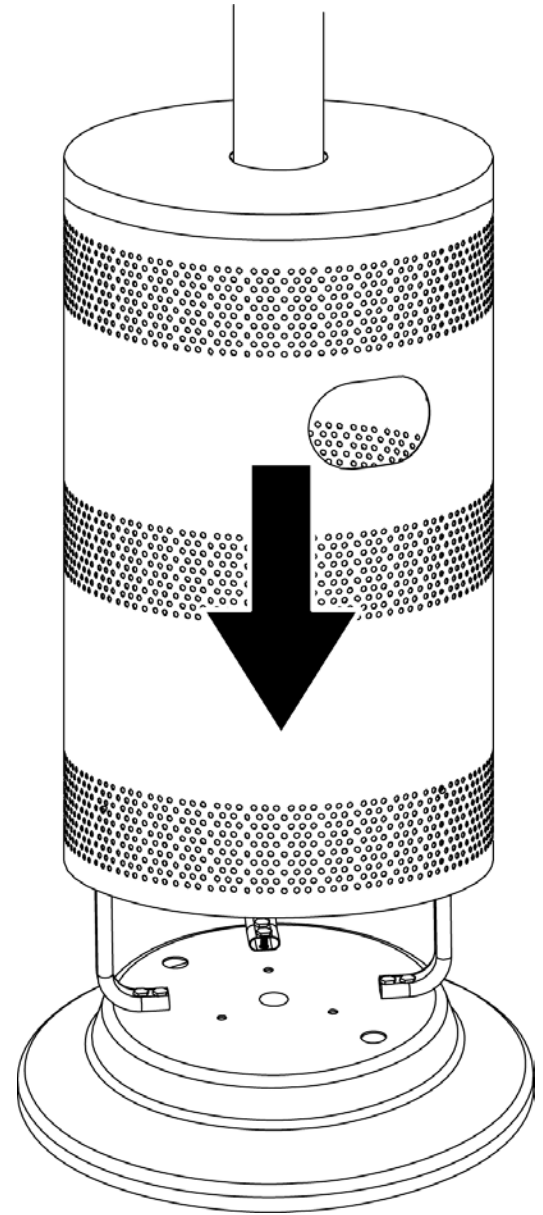


5 Attach Platform

TIP: To tighten use a 7/16" wrench on Bolt and a 7/16" socket wrench on Nut.

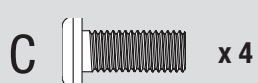
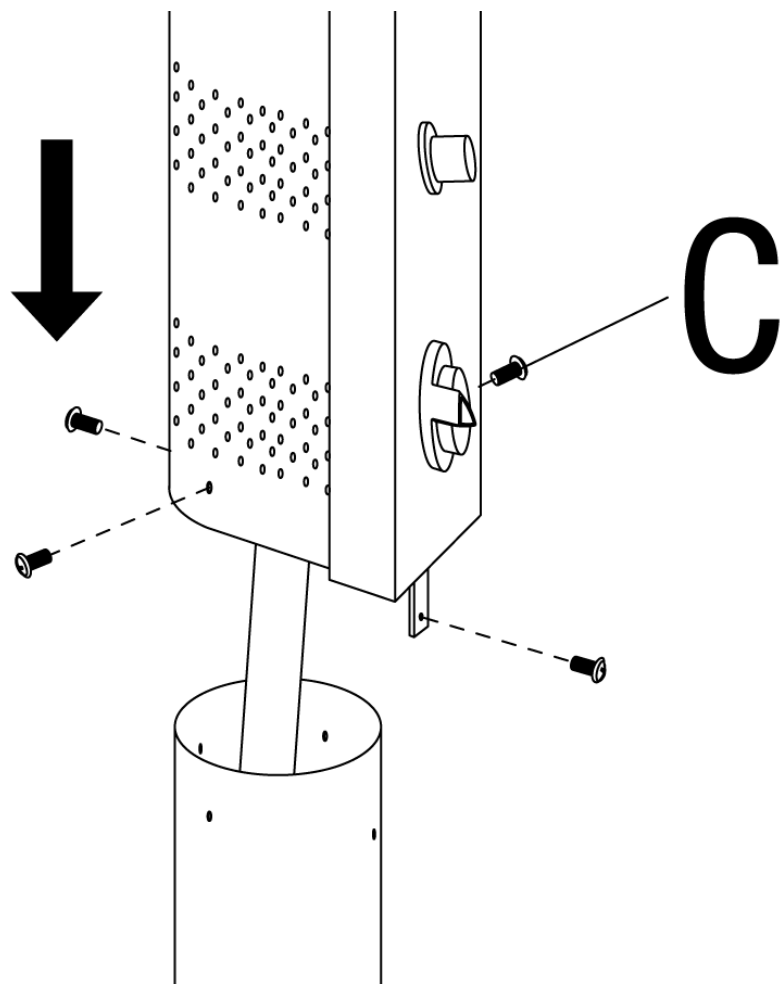


6 Attach Shroud

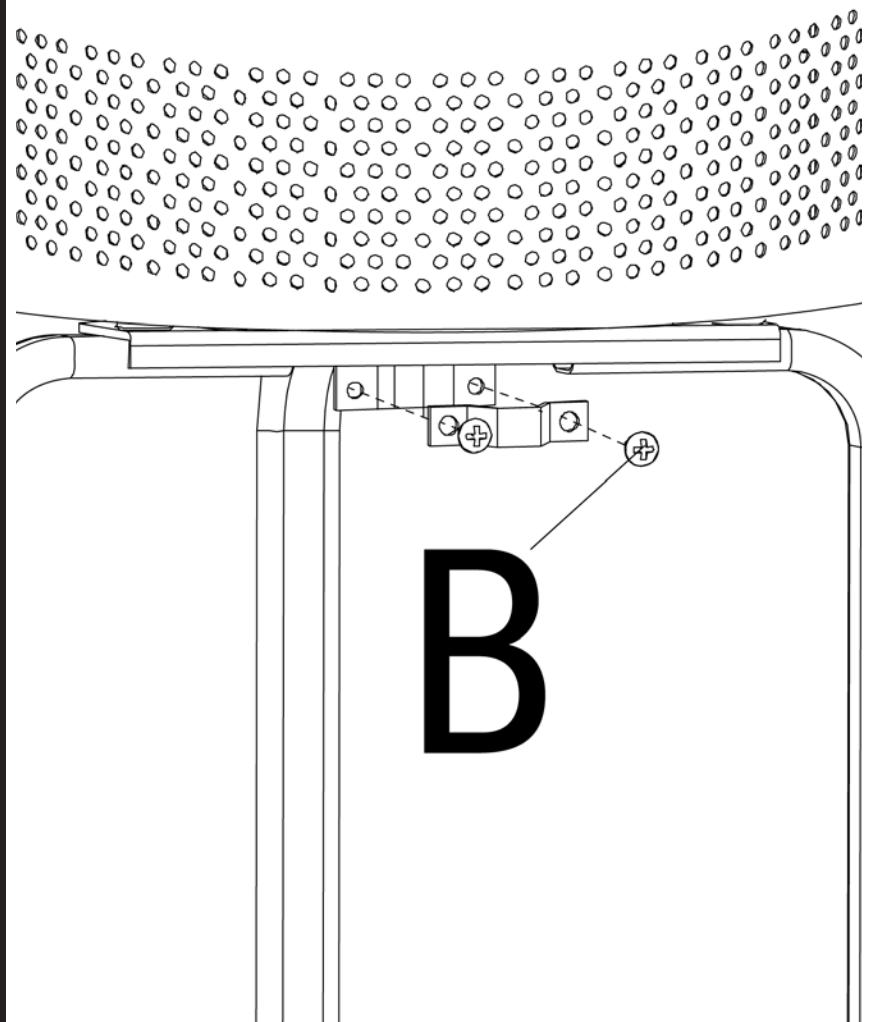


7 Attach Valve Housing

Note: One hole is at a different level than the rest. Make sure all holes line up perfectly before



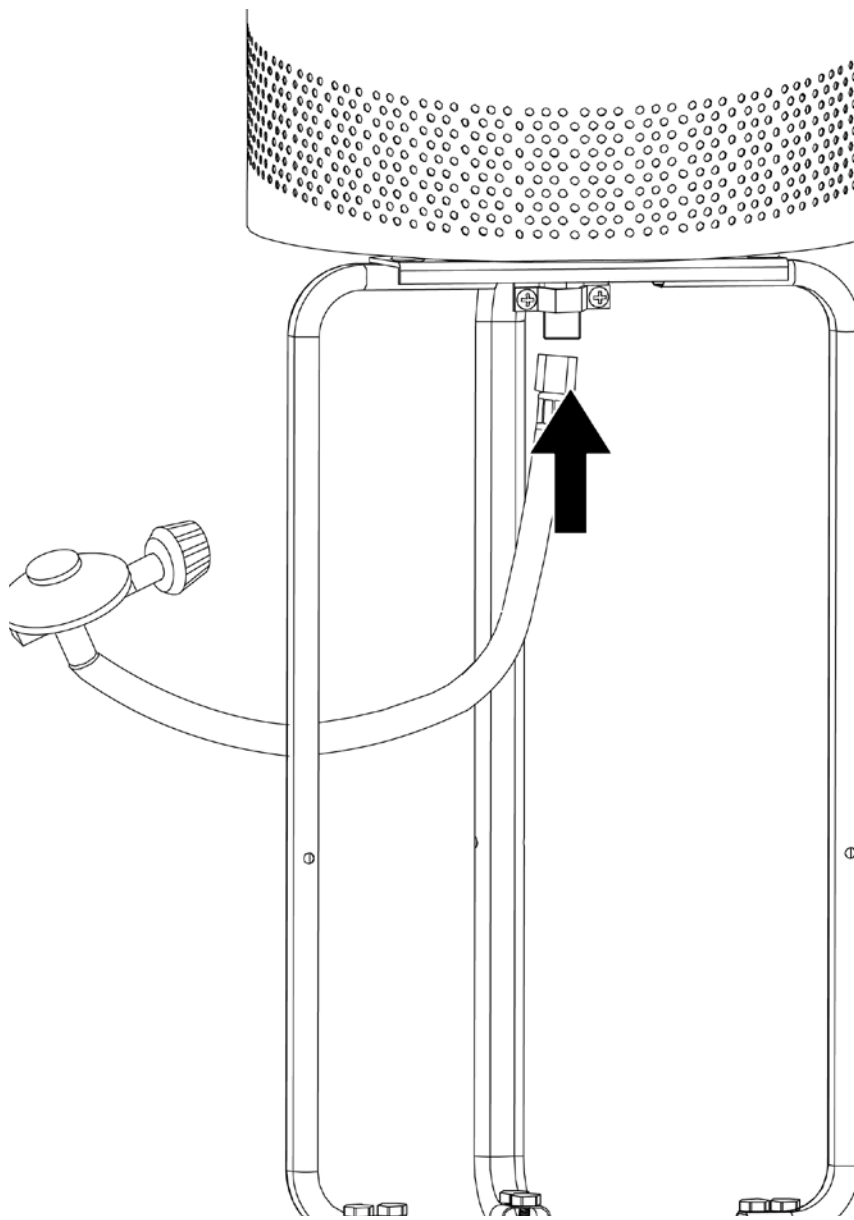
8 Attach Gas Line clip



Assembly Instructions (continued)

9

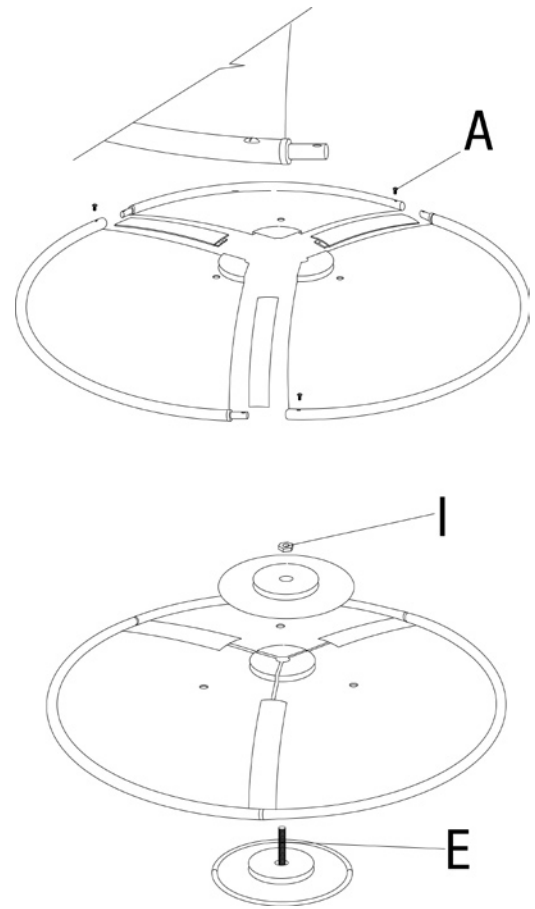
Insert Gas Line



10

Assemble Dome

Note: Each dome section has a pin mounted in the rolled bottom edge. If necessary for proper alignment of dome sections, loosen each screw prior to assembly.



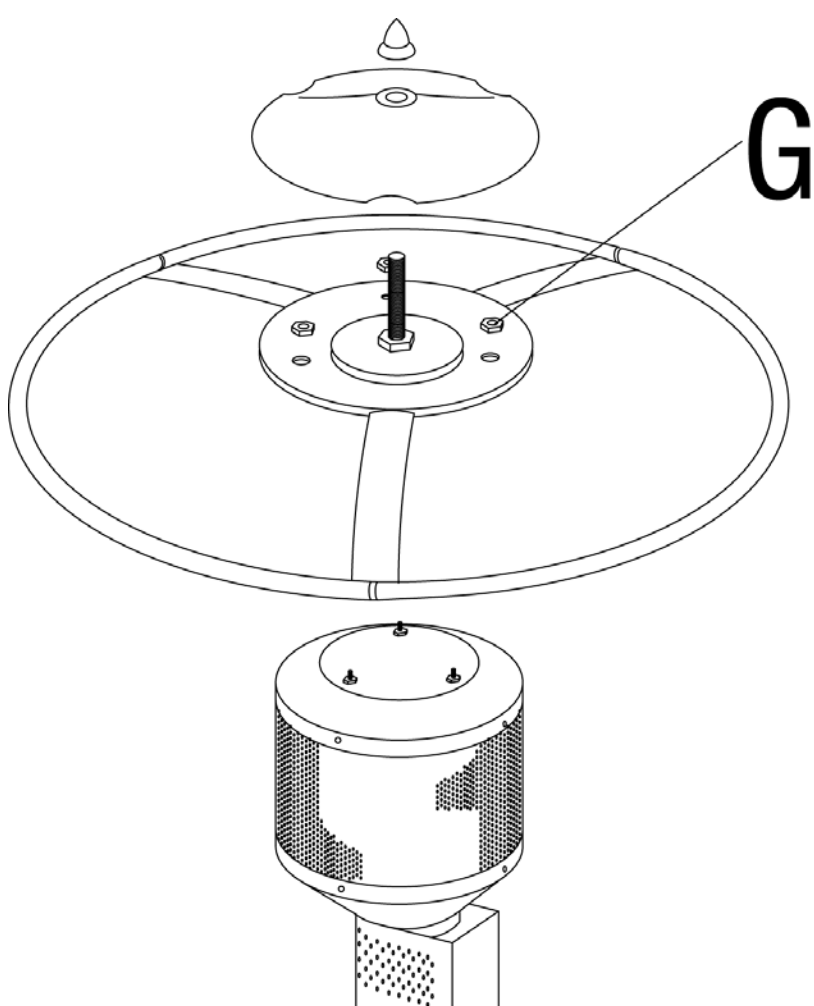
A x3

I x1

E x1

11

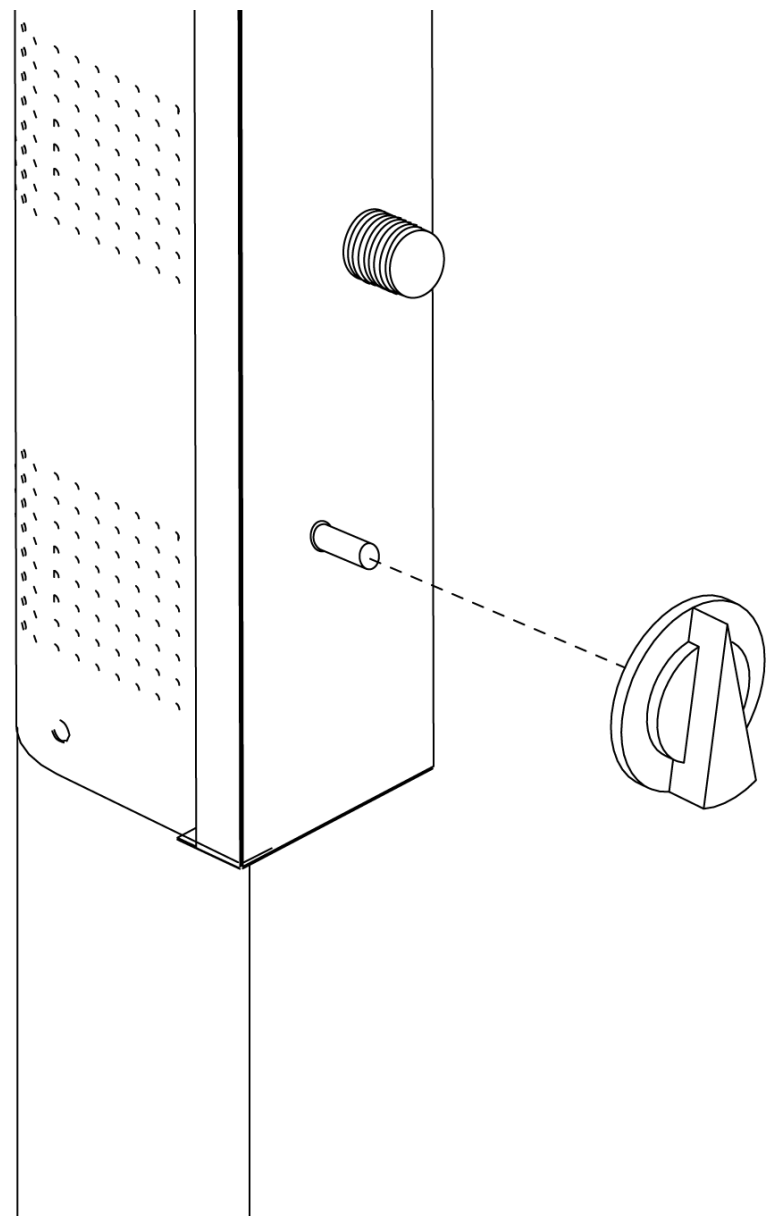
Attach Dome Assembly



G x3

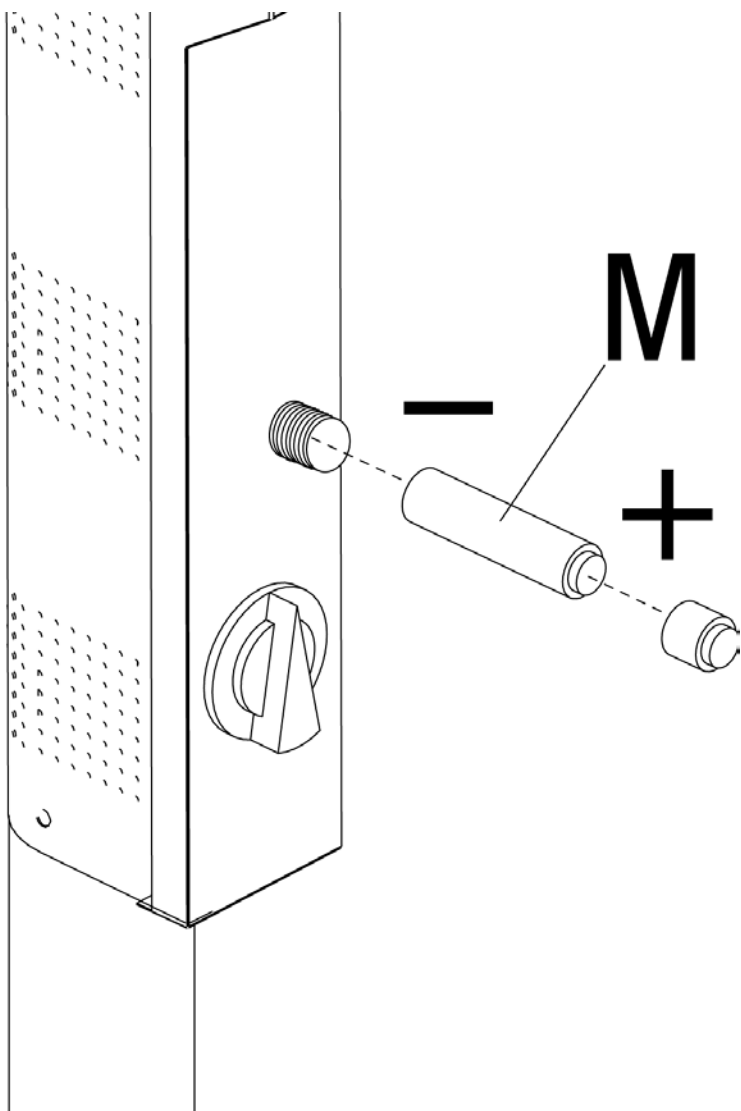
12

Attach Control Knob



13

Insert Battery



M  x 1

Installing LP Gas Tank

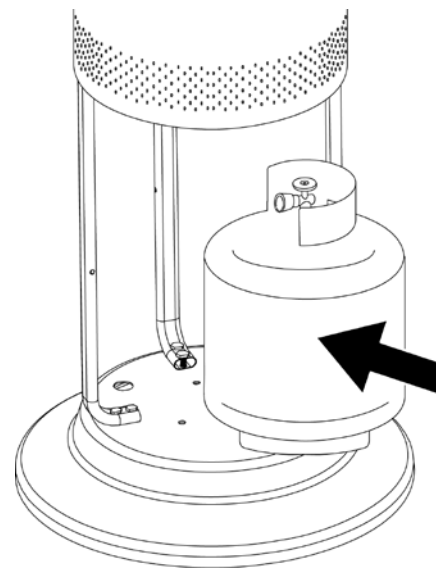
To operate you will need (1) precision-filled standard grill LP gas tank (20 lbs.) with external valve threads.

Note: An empty standard grill LP gas tank weighs approximately 18 lbs. A precision-filled standard grill LP gas tank should weigh no more than 38 lbs.



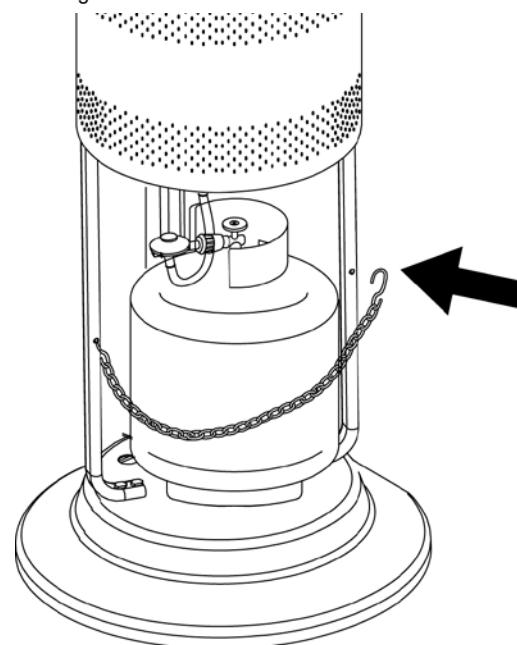
Insert LP Gas Tank

Place precision filled LP gas tank upright into hole in patio heater so it is arranged for vapor withdrawal.



Secure LP Gas Tank

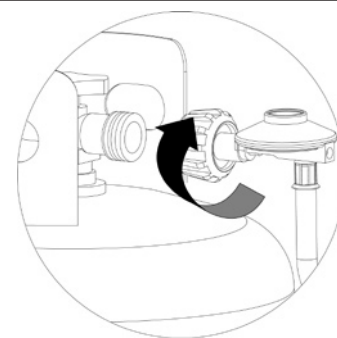
Secure tank in place by attaching loose end of tank restraint chain to hole in right leg.



Connect LP Gas Tank

Before connecting, be sure that there is no debris caught in the head of the LP gas tank, head of the regulator valve or in the head of the burner and burner ports.

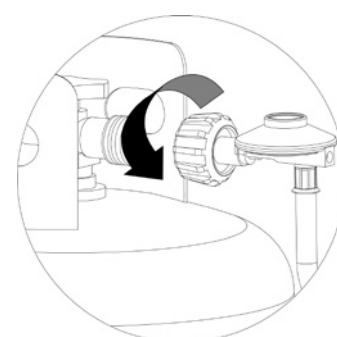
Connect gas line to tank by turning knob clockwise until it stops.



Disconnect LP Gas Tank

Before disconnecting make sure the LP gas tank valve OFF.

Disconnect gas line to tank by turning knob counterclockwise until it is loose.



Need a tank of gas? Try tank exchange service. It's easy, fast, safe, and available at tens of thousands of conveniently located retail outlets nationwide. You can purchase a new full tank or exchange your empty for a precision filled one.

Operating Instructions

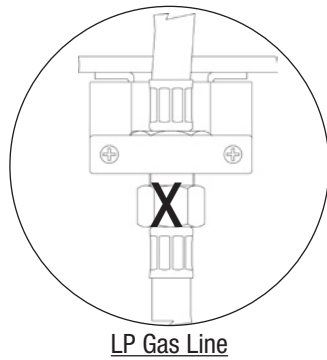
Checking for Leaks

Burner Connections

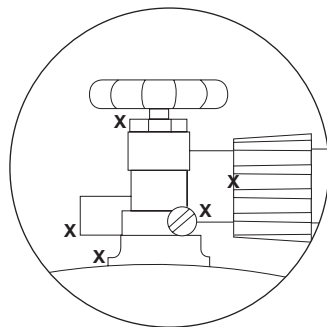
1. Make sure the regulator valve and hose connections are securely fastened to the burner and the tank.
2. If your unit was assembled for you, visually check the connection between the burner pipe and orifice. Make sure the burner pipe fits over the orifice.
- ▲ **WARNING: Failure to inspect this connection or follow these instructions could cause a fire or an explosion which can cause death, serious bodily injury, or damage to property.**
3. If the burner pipe does not rest flush to the orifice, please contact 1.800.762.1142 for assistance.

Tank/Gas Line Connection

1. Make 2-3 oz. of leak solution by mixing one part liquid dishwashing soap with three parts water.
2. Make sure control knobs are "OFF".
3. Turn LP gas tank valve to "OPEN".
4. Spoon leak check solution at all "X" locations
 - a. If any bubbles appear turn LP gas tank valve to "CLOSED", reconnect and re-test.
 - b. If you continue to see bubbles after several attempts, turn LP gas tank valve to "CLOSED" and disconnect LP gas tank and contact 1.800.762.1142 for assistance.
 - b. If no bubbles appear after one minute turn LP gas tank valve to "CLOSED", wipe away solution and proceed.



LP Gas Line



LP Gas Tank Valve

Before Lighting

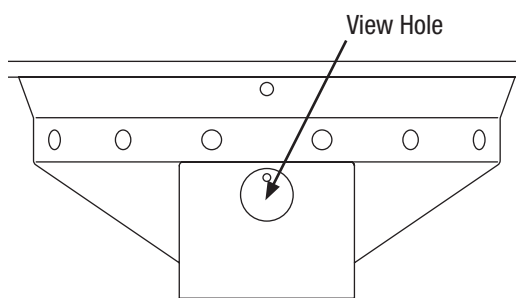
1. Heater should be thoroughly inspected before each use, and by a qualified service person at least annually.
2. If relighting a hot heater, always wait at least 5 minutes.
3. Inspect the hose assembly for evidence of excessive abrasion, cuts, or wear. Suspected areas should be leak tested. If the hose leaks, it must be replaced prior to operation. Only use the replacement hose assembly specified by manufacturer.

Lighting

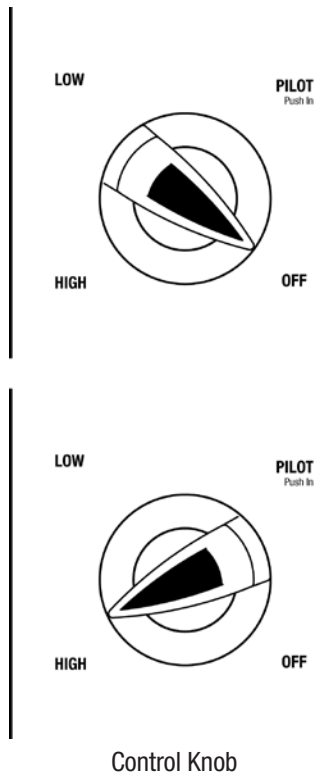
Note: this heater is equipped with a pilot light that allows for safer startups and shutdowns. Pilot must be lit before main burner can be started.

1. Control knob must be in the "OFF" position.
2. Turn LP gas tank valve to "OPEN".
3. Open viewing hole by sliding cover to either side.
4. Push control knob in and rotate to "PILOT" position.

Note: for initial start or after any tank change, hold control knob in for 2 minutes to purge air from gas lines before proceeding.
5. Push igniter button once. Pilot light flame will appear and be visible through viewing hole.
6. Release control knob after 30 seconds. Pilot light will remain lit.
7. If ignition does not occur, turn control knob "OFF", wait 5 minutes, and repeat lighting procedure.
8. Turn control knob to "HIGH". Main burner will light immediately. Flame is visible through viewing hole. If not, turn control knob "OFF", wait 5 minutes, and repeat lighting procedure.
9. If for some reason your ignitor fails to deliver a spark, your heater can be started by inserting a lit match through the pilot view hole while pushing the control knob in while in the "PILOT" position.



View Hole



Control Knob

▲ **WARNING: Be careful when attempting to manually ignite this heater. Holding in the control knob for more than 10 seconds before igniting the gas will cause a ball of flame upon ignition.**

Have a question or are having problems visit www.bluerhino.com or call 1.800.762.1142.

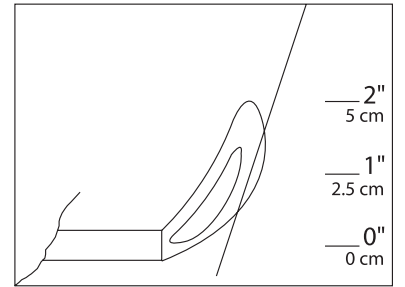
Note: the burner may be noisy when initially turned on. To eliminate excessive noise from the burner, turn the control knob to the pilot position. Then, turn the knob to the level of heat desired.

When heater is ON:

Emitter screen will become bright red due to intense heat. The color is more visible at night.

Burner will display tongues of blue and yellow flame. These flames should not be yellow or produce thick black smoke, indicating an obstruction of airflow through the burners. The flame should be blue with straight yellow tops.

If excessive yellow flame is detected, turn off heater and visit www.bluerhino.com or call 1.800.762.1142.



Proper flame height.

Re-lighting

Note: For your safety, control knob cannot be turned "OFF" without first depressing control knob in PILOT position and then rotating it to "OFF".

1. Turn control knob to "OFF".
2. Wait at least 5 minutes, to let gas dissipate, before attempting to relight pilot.
3. Repeat the "Lighting" procedure.

Shut Down

1. Turn control knob clockwise to pilot. (Normally, burner will make a slight popping sound when extinguished.) Burner will extinguish but pilot will remain "ON".
2. To extinguish pilot, depress control knob and continue to turn it clockwise to "OFF".
3. Turn tank valve to "CLOSED" and disconnect regulator when heater is not in use.

Note: After use, some discoloration of the emitter screen is normal.

Cleaning and Care

- ▲ **CAUTION: All cleaning and maintenance should be done when patio heater is cool and with the fuel supply disconnected.**
- ▲ **CAUTION: DO NOT clean any patio heater part in a self cleaning oven. The extreme heat will damage the finish.**

Notices

1. Abrasive cleaners will damage this product.
2. Never use oven cleaner to clean any part of heater.
3. Do not clean any heater part in a self cleaning oven. The extreme heat will damage the finish.
4. More frequent cleaning may be required as necessary. It is imperative that control compartment, burners and circulating air passageways of the heater be kept clean.
5. Spiders and insects can create a dangerous condition that may damage heater or make it unsafe. Keep burner area clean of all spiders, webs, or insects. Clean burner holes by using a heavy-duty pipe cleaner. Compressed air may help clear away smaller particles.
6. Inspect heater before each use.
7. Have heater inspected annually and repairs should be made by a qualified service person.
8. Check heater immediately if any of the following conditions exist:
 - a. The smell of gas in conjunction with extreme yellow tipping of burner flames.
 - b. Heater does not reach proper temperature.

Note: At temperatures less than 40°F, heat output will be reduced.
 - c. Heater's glow is excessively uneven
 - d. Burner makes popping noises during use.

Note: A slight pop is normal when burner is extinguished.
9. Carbon deposits may create a fire hazard. Keep dome and emitter clean at all times.
10. Do not clean heater with combustible or corrosive cleaners. Use warm, soapy water.
11. Do not paint engine, engine access panel or dome.
12. This heater should be thoroughly cleaned on a regular basis.
13. After a period of storage and/or nonuse, check for leaks, burner obstructions and inspect for any abrasion, wear, cuts to the hose.

Cleaning Surfaces

1. Wipe surfaces clean with mild dishwashing detergent or baking soda.
2. For stubborn surfaces use a citrus based degreaser and a nylon scrubbing brush.
3. Rinse clean with water.

Note: While cleaning your unit, be sure to keep the area around the burner and pilot assembly dry at all times. Do not submerge the control valve assembly. If the gas control is submerged in water, do NOT use it. It must be replaced.

Cleaning and Care (continued)

Maintenance

To enjoy years of outstanding performance from your heater, make sure you perform the following maintenance activities on a regular basis:

1. Keep exterior surfaces clean.
2. Air flow must be unobstructed. Keep controls, burner, and circulating air passageways clean. Signs of possible blockage include:
 - Gas odor with extreme yellow tipping of flame.
 - Heater does NOT reach the desired temperature.
 - Heater glow is excessively uneven.
 - Heater makes popping noises.

Note: In a salt-air environment (such as near an ocean), corrosion occurs more quickly than normal. Frequently check for corroded areas and repair them promptly.

TIP: Use high-quality automobile wax to help maintain the appearance of your heater. Apply to exterior surfaces from the pole down. Do not apply to emitter screen or domes.

Storage

Between uses:

1. Turn Control Knob OFF.
2. Disconnect LP source.
3. Store heater upright in an area sheltered from direct contact with inclement weather (such as rain, sleet, hail, snow, dust and debris).
4. If desired, cover heater to protect exterior surfaces and to help prevent build up in air passages.

Note: Wait until heater is cool before covering.

During periods of extended inactivity or when transporting:

1. Turn Control Knob "OFF".
2. Disconnect LP source and move to a secure, well-ventilated location outdoors.
3. Store heater upright in an area sheltered from direct contact with inclement weather (such as rain, sleet, hail, snow, dust and debris).
4. If desired, cover heater to protect exterior surfaces and to help prevent build up in air passages.
5. Never leave LP tank exposed to direct sunlight or excessive heat.

Note: Wait until heater is cool before covering.

Limited Warranty

Blue Rhino Global Sourcing, Inc ("Vendor") warrants to the original retail purchaser of this product, and to no other person, that if this product is assembled and operated in accordance with the printed instructions accompanying it, then for a period of one (1) year from the date of purchase, all parts in such product shall be free from defects in material and workmanship. Vendor may require reasonable proof of your date of purchase. Therefore, you should retain your sales slip or invoice. This Limited Warranty shall be limited to the repair or replacement of parts, which prove defective under normal use and service and which Vendor shall determine in its reasonable discretion upon examination to be defective. Before returning any parts, you should contact Vendor's Customer Service Department using the contact information listed below. If Vendor confirms, after examination, a defect covered by this Limited Warranty in any returned part, and if Vendor approves the claim, Vendor will replace such defective part without charge. If you return defective parts, transportation charges must be prepaid by you. Vendor will return replacement parts to the original retail purchaser, freight or postage prepaid.

This Limited Warranty does not cover any failures or operating difficulties due to accident, abuse, misuse, alteration, misapplication, improper installation or improper maintenance or service by you or any third party, or failure to perform normal and routine maintenance on the product as set out in this owner's manual. In addition, the Limited Warranty does not cover damage to the finish, such as scratches, dents, discoloration, rust or other weather damage, after purchase.

This Limited Warranty is in lieu of all other express warranties. Vendor disclaims all warranties for products that are purchased from sellers other than authorized retailers or distributors, including the warranty of merchantability or the warranty of fitness for a particular purpose. VENDOR ALSO DISCLAIMS AND ANY ALL IMPLIED WARRANTIES, INCLUDING WITHOUT LIMITATION THE IMPLIED WARRANTIES OF MERCHANTABILITY AND FITNESS FOR A PARTICULAR PURPOSE. VENDOR SHALL NO LIABILITY TO PURCHASER OR ANY THIRD PARTY FOR ANY SPECIAL, INDIRECT, PUNITIVE, INCIDENTAL, OR CONSEQUENTIAL DAMAGES. Vendor further disclaims any implied or express warranty of, and assumes no responsibility for, defects in workmanship caused by third parties.

This Limited Warranty gives the purchaser specific legal rights; a purchaser may have other rights depending upon where he or she lives. Some jurisdictions do not allow the exclusion or limitation of special, incidental or consequential damages, or limitations on how long a warranty lasts, so the above exclusion and limitations may not apply to everyone.

Vendor does not authorize any person or company to assume for it any other obligation or liability in connection with the sale, installation, use, removal, return, or replacement of its equipment, and no such representations are binding on Vendor.

Blue Rhino Global Sourcing, Inc
Winston-Salem, North Carolina USA
(800) 762-1142

Product Registration

For faster warranty service, please register your product immediately at www.bluerhino.com or call 1.800.762.1142.



Troubleshooting

If the problem is:	And this condition exists:	Then do this
Pilot won't light <i>Note: Heater operates at reduced efficiency below 40°F (5°C).</i>	Tank valve is closed	Open valve
	Blockage in orifice or pilot tube	Clean or replace orifice or pilot tube
	Air in gas line	Open gas line and bleed it (pressing control knob in) for not more than 1 - 2 minutes or until you smell gas
	Low gas pressure with tank valve fully open	Turn tank valve "OFF" and replace tank
	Igniter fails	Use match to light pilot; obtain new igniter and replace
Pilot won't stay lit	Dirt built up around pilot	Clean dirt from around pilot
	Connection between gas valve and pilot assembly is loose	Tighten connection and perform leak check
	Thermocouple is not operating correctly	Replace thermocouple
Burner won't light	Gas pressure is low	Turn tank valve "OFF" and replace tank
	Blockage in orifice	Clear blockage
	Control knob is not in "ON" position	Turn control knob to "ON"
Burner flame is low	Gas pressure is low	Turn tank valve "OFF" and replace tank
	Outdoor temperature is less than 40°F and tank is less than 1/4 full	Use a full tank
	Supply hose is bent or kinked	Straighten hose
	Control knob fully "ON"	Check burner and orifices for blockage
Emitter glows uneven <i>Note: Bottom 1" of emitter normally does NOT glow.</i>	Gas pressure is low	Turn tank valve "OFF" and replace tank
	Base is not on a level surface	Place heater on a level surface
	Heater is level	Clean burner
Carbon build-up	Dirt or film on reflector and emitter	Clean reflector and emitter
Thick black smoke	Blockage in burner	Remove blockage and clean burner inside and outside

For more assistance please visit us online at www.bluerhino.com or call 1.800.762.1142 for immediate assistance.

Specifications

Certifications:

CSA International Requirement 5.90
 Canadian National Standard CAN1-2.23-M82

Rating:

Maximum 40,000 BTU/hr. input

Heat Range:

Up to 20 foot diameter

Fuel:

Liquid Propane Gas (LP)

Tank Size:

Nominal 20 lb / 5 Gallon

Inlet gas supply pressure:

Maximum – 150 PSI

Minimum – 5 PSI

Manifold Pressure:

11.00 in. W.C.

Engine:

IPP E1

Safety Features:

100% Burner shut-off

Tilt Switch

Manufacturer:

Blue Rhino Global Sourcing, Inc

Made In:

China



Resolución de problemas

Para ayuda más detallada, sírvase visitarnos en www.bluerhino.com o llámanos al 1.800.762.1142 para ayudarlo inmediatamente.	
Si el problema es:	Y se da esta condición:
La válvula del tanque está cerrada	Abra la válvula
Obstrucción en el orificio o el tubo de la llama piloto	Limpie o sustituya el orificio o el tubo de la llama piloto
Aire en la línea de gas	Abra la línea de gas y púrguela (mientras presiona la perilla de control) durante no más de 1 a 2 minutos o hasta que huela a gas
Presión de gas baja con la válvula del tanque totalmente abierta	Gire la válvula del tanque hasta la posición "OFF" (cerrado) y sustituya el tanque
El elemento de ignición falla	Utilice una cerilla para encender el piloto; consiga un elemento de ignición nuevo y colóquelo
Suciedad acumulada alrededor de la llama piloto	Limpie la suciedad que hay alrededor de la llama piloto
Conexión floja entre la válvula de gas y el conjunto de la llama piloto	Apreté la conexión y lleve a cabo una comprobación en busca de fugas
El termopar no funciona correctamente	Sustituya el termopar
Obstrucción en el orificio	Elimine la obstrucción
La presión del gas es baja	Gire la válvula del tanque hasta la posición "OFF" (apagado) y sustituya el tanque
La perilla de control no está en la posición "ON" (encendido)	Gire la perilla de control a la posición "ON" (encendido)
La llama del quemador es baja	La presión del gas es baja Gire la válvula del tanque hasta la posición "OFF" (apagado) y sustituya el tanque La temperatura ambiente es menor de 5°C y el depósito está por debajo del 1/4 de su capacidad La manguera de alimentación está doblada o enroscada Enderece la manguera Compruebe el quemador y los orificios por si hay alguna obstrucción
El emisor brilla de forma desigual	La presión del gas es baja Gire la válvula del tanque hasta la posición "OFF" (apagado) y sustituya el tanque La base no está sobre una superficie nivelada
<i>Nota: Los 3 centímetros situados en la parte inferior del emisor normalmente NO brillan.</i>	El calentador está nivelado
	Suciedad sobre el reflector y el emisor
	Limpie el reflector y el emisor
Humo espeso y negro	Obstrucción en el quemador Elimine la obstrucción y limpie el interior y el exterior del quemador

Especificaciones

Certificaciones:

Requerimiento 5.90 del CSA International
Norma canadiense CAN1-2.23-M82 (Canadian National Standard)

Consumo:

Entrada máxima 40 000 BTU/hora

Alcance calorífico:

Hasta 6 metros de diámetro

Combustible:

Gas propano líquido (LP)

Tamaño del tanque:

Nominal 20 libras / 5 galones (9 kg / 19 litros)

Presión del suministro de gas de entrada:

Máxima: 150 PSI

Mínima: 5 PSI

Presión del distribuidor:

1.00 pulgadas (27,9 cm) de columna de agua.

Motor:

1PP E8

Características de seguridad:

Apagado total del quemador

Commutador de inclinación

Fabricante:

Blue Rhino Global Sourcing, Inc

Fabricado en:

China

Si necesita ayuda llame al 1.800.762.1142. No vuelva al lugar de compra.

Limpieza y cuidado (continuación)

a. El olor a gas junto con unas llamas con puntas muy amarillas en el quemador.

b. El calentador no alcanza la temperatura adecuada.

Nota: A temperaturas inferiores a los 5° C, la salida de calor se reducirá.

c. El resplandor de la llama del calentador es muy desigual

d. El quemador hace unos ruidos de estallido durante su uso.

Nota: Es normal oír un ligero estallido cuando se apaga el quemador.

9. Los depósitos de carbónilla puede causar un riesgo de fuego. Mantenga limpios en todo momento la cúpula y el emisor.

10. No limpie el calentador con limpiadores combustibles o corrosivos. Utilice agua templada y jabonosa.

11. No pinte el motor, el acceso al motor o la cúpula.

12. Este calentador debe ser limpiado completamente de manera regular.

13. Después de un período de almacenamiento o de falta de uso, verifique que no existen fugas u obstrucciones en el quemador e inspeccione la manguera para ver que no tiene cortes, rajaduras o desgastes.

Mantenimiento

Este elemento debe ser reemplazado.

Nota: Cuando limpie la unidad, asegúrese de mantener siempre seca el área alrededor del quemador y del conjunto de la llama piloto. Si el control de gas se sumerge en agua, NO lo use.

3. Enjuague las superficies con agua limpia.

millón.

2. En superficies de limpieza difícil, use un desengrasador a base de cítricos y un cepillo de 1. Limpie las superficies con un detergente suave de lavado de platos o con soda de hornear.

Limpieza de las superficies

Para distributar de años de rendimiento excepcional de su calentador, asegúrese de realizar las siguientes tareas de mantenimiento de forma regular:

1. Mantenga las superficies exteriores limpias.

2. El flujo del aire no debe presentar ninguna obstrucción. Mantenga limpios los controles, el quemador y los conductos de aire circulante.

Entre las señales de una posible obstrucción se incluyen:

Olor a gas con una punta de la llama extremadamente amarilla.

El calentador NO alcanza la temperatura deseada.

El brillo del calentador es excesivamente desigual.

El calentador hace un ruido similar al de un estallido.

Nota: En un entorno de aire con sal (cerca del mar), la corrosión aparece más rápidamente de lo que es habitual. Compruebe frecuentemente si aparecen áreas corroídas y repárelas lo antes posible.

CONSEJO: Utilice cera de alta calidad para automóviles para ayudar a mantener el aspecto de su calentador. Aplique a las superficies exteriores desde el poste hacia abajo. No aplique en la malla del emisor ni en la cúpula.

Almacenamiento

Entre uso y uso:

1. Gire la perilla de control a la posición “OFF” (apagado).

2. Desconecte la fuente de propano líquido.

3. Almacene el calentador de pie en una zona protegida del contacto directo con las

4. Si lo desea, cubra el calentador para proteger las superficies exteriores y evitar las obstrucciones en los conductos de aire.

Nota: Espere hasta que el calentador esté frío antes de cubrirlo.

Durante períodos largos de inactividad o para su transporte

1. Gire la perilla de control a la posición “OFF” (apagado).

2. Desconecte la fuente de propano líquido y lleve la unidad a un lugar seguro y bien ventilado en el exterior.

3. Almacene el calentador de pie en una zona protegida del contacto directo con las

4. Si lo desea, cubra el calentador para proteger las superficies exteriores y evitar las obstrucciones en los conductos de aire.

Nota: Espere hasta que el calentador esté frío antes de cubrirlo.

Registro del producto

Para beneficiar del servicio de garantía más rápidamente, sírvase registrar su unidad inmediatamente visitando nuestro sitio Internet www.blue Rhino.com o llamando al

1.800.762.1142.

Garantía limitada

Blue Rhino Sourcing, Inc (“el fabricante”) garantiza al comprador original, al detal, de este

producto, y a ninguna otra persona, que si la unidad se arma y opera de acuerdo con las

instrucciones impresas que la acompañan y por un período de un (1) año a partir de la fecha

de compra, todas las piezas de este producto estarán libres de defectos en material y mano

de obra. El fabricante podrá requerir prueba razonable de la fecha de compra. Por lo tanto,

usted debe conservar el recibo de venta o la factura. Esta garantía limitada estará limitada a

la reparación o reemplazo de las piezas que resulten defectuosas en condiciones de servicio y

uso normal y las que un examen indique, a satisfacción del fabricante, que están defectuosas.

Antes de devolver cualquier pieza, comuníquese con el Departamento de Servicio al Cliente

(Customer Service Department) del fabricante. Si el fabricante confirma el defecto y aprueba

el reclamo, el fabricante decidirá reemplazar tales partes sin costo alguno. Si se le pide que

devuelva las partes defectuosas, los costos de transporte deberán ser prepagados. El fabricante

devolverá las partes al cliente con costo de transporte o envío prepagados.

Esta garantía limitada no cubre fallas o dificultades de operación debidas a accidente, abuso,

mal uso, alteración, empleo en usos inapropiados, instalación defectuosa o mantenimiento

o servicio inapropiado o falla en la realización de mantenimiento normal y rutinario como se

prescribe en este manual del usuario.

Además, la garantía limitada no cubre daños al terminado de la unidad, tales como rasguños,

abolladuras, descoloridos, oxidaciones y otros daños causados por la intemperie después de la

compra de la unidad.

Esta garantía limitada reemplaza cualquier otra garantía. El fabricante no asume ninguna

responsabilidad por garantías de productos vendidos por quienes no sean distribuidores o

vendedores al detal autorizados. Esta exención de responsabilidad incluye cualquier garantía

de comerciabilidad o la garantía de aptitud para un propósito en particular. EL FABRICANTE NO

SE HACE RESPONSABLE POR NINGUNA GARANTIA IMPLICITA INCLUYENDO, SIN LIMITACIONES,

LAS GARANTIAS IMPLICITAS DE COMERCIABILIDAD Y ADAPTABILIDAD A UN PROPOSITO

PARTICULAR. EL FABRICANTE NO ASUME RESPONSABILIDAD ANTE EL COMPRADOR O

ANTE CUALQUIER TERCERA PERSONA POR DAÑOS ESPECIALES, INDIRECTOS, PUNITIVOS,

INCIDENTALES O CONSECUENCIALES. El fabricante, además, no asume responsabilidad por

garantías implícitas o expresas por defectos de mano de obra causados por terceras personas.

Esta garantía limitada le da al comprador derechos legales específicos y el comprador puede

tener otros derechos según el lugar donde el comprador o la compradora residan. Ciertas

jurisdicciones no permiten limitaciones en cuanto a la duración de una garantía implícita, de

manera que esta limitación puede no ser aplicable a usted.

El fabricante no autoriza a ninguna persona o compañía para asumir por el fabricante cualquier

otra obligación a responsabilidad relacionada con la venta, instalación, uso, remoción,

devolución o reemplazo de este equipo y cualquier representación de esta naturaleza no obliga

(800)-762-1142

Winston-Salem, North Carolina 27105, EE.UU.

Blue Rhino Sourcing, Inc

al fabricante.

devolución o reemplazo de este equipo y cualquier representación de esta naturaleza no obliga

El fabricante no autoriza a ninguna persona o compañía para asumir por el fabricante cualquier

otra obligación a responsabilidad relacionada con la venta, instalación, uso, remoción,

manera que esta limitación puede no ser aplicable a usted.

El fabricante no autoriza a ninguna persona o compañía para asumir por el fabricante cualquier

otra obligación a responsabilidad relacionada con la venta, instalación, uso, remoción,

devolución o reemplazo de este equipo y cualquier representación de esta naturaleza no obliga

El fabricante no autoriza a ninguna persona o compañía para asumir por el fabricante cualquier

otra obligación a responsabilidad relacionada con la venta, instalación, uso, remoción,

devolución o reemplazo de este equipo y cualquier representación de esta naturaleza no obliga

El fabricante no autoriza a ninguna persona o compañía para asumir por el fabricante cualquier

otra obligación a responsabilidad relacionada con la venta, instalación, uso, remoción,

devolución o reemplazo de este equipo y cualquier representación de esta naturaleza no obliga

El fabricante no autoriza a ninguna persona o compañía para asumir por el fabricante cualquier

otra obligación a responsabilidad relacionada con la venta, instalación, uso, remoción,

devolución o reemplazo de este equipo y cualquier representación de esta naturaleza no obliga

El fabricante no autoriza a ninguna persona o compañía para asumir por el fabricante cualquier

otra obligación a responsabilidad relacionada con la venta, instalación, uso, remoción,

devolución o reemplazo de este equipo y cualquier representación de esta naturaleza no obliga

El fabricante no autoriza a ninguna persona o compañía para asumir por el fabricante cualquier

otra obligación a responsabilidad relacionada con la venta, instalación, uso, remoción,

devolución o reemplazo de este equipo y cualquier representación de esta naturaleza no obliga

El fabricante no autoriza a ninguna persona o compañía para asumir por el fabricante cualquier

otra obligación a responsabilidad relacionada con la venta, instalación, uso, remoción,

devolución o reemplazo de este equipo y cualquier representación de esta naturaleza no obliga

El fabricante no autoriza a ninguna persona o compañía para asumir por el fabricante cualquier

otra obligación a responsabilidad relacionada con la venta, instalación, uso, remoción,

devolución o reemplazo de este equipo y cualquier representación de esta naturaleza no obliga

El fabricante no autoriza a ninguna persona o compañía para asumir por el fabricante cualquier

otra obligación a responsabilidad relacionada con la venta, instalación, uso, remoción,

devolución o reemplazo de este equipo y cualquier representación de esta naturaleza no obliga

El fabricante no autoriza a ninguna persona o compañía para asumir por el fabricante cualquier

otra obligación a responsabilidad relacionada con la venta, instalación, uso, remoción,

devolución o reemplazo de este equipo y cualquier representación de esta naturaleza no obliga

El fabricante no autoriza a ninguna persona o compañía para asumir por el fabricante cualquier

otra obligación a responsabilidad relacionada con la venta, instalación, uso, remoción,

devolución o reemplazo de este equipo y cualquier representación de esta naturaleza no obliga

El fabricante no autoriza a ninguna persona o compañía para asumir por el fabricante cualquier

otra obligación a responsabilidad relacionada con la venta, instalación, uso, remoción,

devolución o reemplazo de este equipo y cualquier representación de esta naturaleza no obliga

Instrucciones de operación

Comprobar si hay fugas

Conexiones del quemador

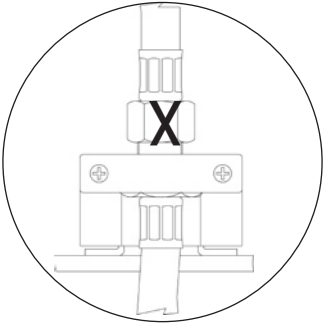
1. Verifique que la válvula del regulador y las conexiones de la manguera se han conectado y apretado en forma segura tanto en el quemador como en el tanque.
2. Si la unidad no ha sido armada por usted, verifique visualmente la conexión entre el tubo del quemador y el orificio. Verifique que el tubo del quemador encaja sobre el orificio.

⚠️ ADVERTENCIA: El no inspeccionar esta conexión o el no seguir estrictamente estas instrucciones puede causar una explosión o incendio ocasionando lesiones personales graves, hasta mortales, y daños a la propiedad.

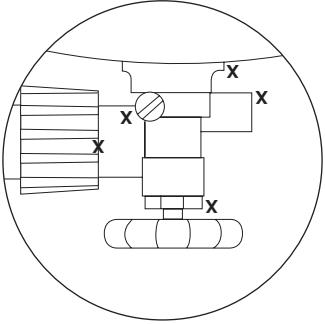
3. Si el tubo del quemador no descansa completamente a ras sobre el orificio, sírvase llamar al teléfono 1.800.762.1142 para obtener asistencia.

Conexión entre el tanque y la línea de gas

1. Prepare unos 80 ml de solución para comprobar si hay fugas mezclando una parte de jabón líquido para lavar platos y tres partes de agua.
2. Asegúrese de que las perillas de control están en la posición "OFF" (apagado).
3. Abra el gas girando la válvula del tanque de propano a la posición "OPEN" (Abierto).
4. Aplique con una cuchara la solución de verificación de escapes en todas las ubicaciones marcadas con "X".



Línea de propano



Válvula del tanque de propano

- a. Si en cualquier punto aparecen burbujas, cierre el gas girando la válvula del tanque de propano a la posición "CLOSED" (Cerrado), vuelva a conectar la manguera y verifique nuevamente.
- b. Si las burbujas continúan apareciendo después de varios ensayos, cierre el gas girando la válvula del tanque de propano a la posición "CLOSED" (Cerrado), desconecte el tanque de propano y llame al teléfono 1.800.762.1142 para notificar el defecto.
- c. Si no aparecen burbujas por un lapso de un minuto, cierre el gas girando la válvula del tanque de propano a la posición "CLOSED" (Cerrado) y limpie la solución para continuar el proceso.

Antes de encender la unidad

El calentador debe ser inspeccionado completamente por el usuario antes de cada uso, y por lo menos una vez al año por una persona calificada para dar servicio a la unidad.

Siempre que quiera volver a encender un calentador caliente, deje pasar por lo menos cinco minutos después de apagado.

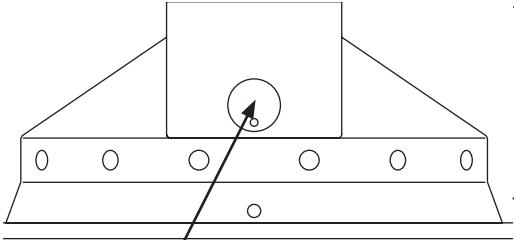
Inspeccione el conjunto de la manguera para detectar evidencias de abrasión excesiva, cortes, rajaduras o desgastes. Las zonas sospechosas deben probarse para detectar fugas. Si la manguera tiene fugas debe reemplazarse antes de volver a operar la unidad. Use únicamente conjuntos de manguera especificados por el fabricante para reemplazar la manguera.

Encendido

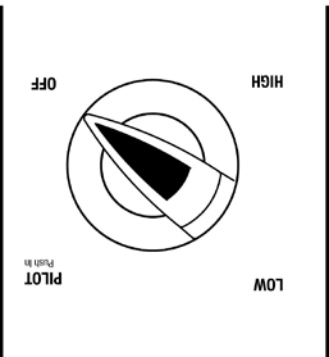
Nota: Este calentador está equipado con una llama piloto que permite unas operaciones de encendido y apagado más seguras. La llama piloto debe estar encendida antes de que pueda ponerse en marcha el quemador principal.

1. La perilla tiene que estar en la posición "OFF" (apagado).
2. Abra el gas girando la válvula del tanque de propano a la posición "OPEN" (Abierto).
3. Abra el orificio de visión deslizando la tapa hacia uno de los lados.
4. Oprima la perilla de control y gírela hasta la posición de la llama "Pilot".

5. Oprima la perilla del elemento de ignición. La llama piloto aparecerá y será visible a través del orificio de visión.
6. Suelte el control después de 30 segundos. El piloto quedará encendido.



Orificio de visión



Perilla de control

7. Si el quemador no se enciende, gire la perilla de control a "OFF" (apagado), espere 5 minutos y repita el procedimiento de encendido.

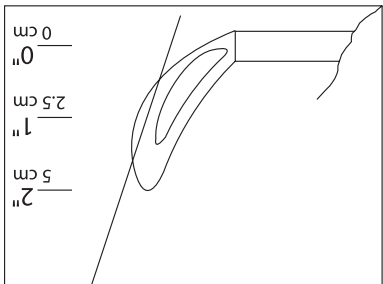
8. Gire la perilla de control a la posición "HIGH" (alto). El quemador principal se encenderá inmediatamente. La llama podrá verse a través del orificio de visión. Si el quemador no se enciende, gire la perilla de control a "OFF" (apagado), espere 5 minutos y repita el procedimiento de encendido.
9. Si por alguna razón el dispositivo de ignición no consigue provocar una chispa, su calentador puede encenderse insertando cerilla a través del orificio de visión de la llama piloto, al mismo tiempo que presiona la perilla de control en la posición "Pilot".

⚠️ ADVERTENCIA: Tenga cuidado al encender manualmente este calentador. Si mantiene la perilla de control apretada por más de 10 segundos, antes de prender el gas, se creará una bola de fuego al encenderse.

Si tiene preguntas o encuentra problemas con el armado de la unidad, visite nuestro sitio de Internet en www.bluehino.com o sírvase llamarlos al 1.800.762.1142. *Nota:* El quemador puede producir bastante ruido al ser encendido. Para eliminar el ruido excesivo, gire la perilla de control hasta la posición "Pilot". En ese momento, gire la perilla hasta el nivel de calor deseado.

Cuando el calentador está encendido (ON)

La malla del emisor tendrá un color rojo brillante debido al intenso calor. El color es más visible por la noche. El quemador mostrará lenguas de llama azules y amarillas. Estas llamas no deberían ser todas amarillas o producirían un humo espeso y negro, lo que indicaría la presencia de una obstrucción del flujo de aire en los quemadores. La llama debería ser azul con puntas rectas y amarillas. Si se detecta una llama excesivamente amarilla, apague el calentador y consulte el sitio de Internet www.bluehino.com o llame al 1.800.762.1142.



Altura correcta de la llama

Reencendido

Nota: Para su seguridad, la perilla de control no puede girarse hasta la posición "OFF" (apagado) sin oprimir primero la perilla de control en la posición "Pilot" (piloto), y después gírela a la posición "OFF".

1. Gire la perilla de control a la posición "OFF".
2. Espere un mínimo de 5 minutos para que el gas se disipe antes intentar volver a encender la llama piloto.
3. Repita los pasos de la sección "Encendido".

Apagado

1. Gire la perilla de control en el sentido de las manecillas del reloj hasta la posición "Pilot" (piloto). (Normalmente, se producirá un pequeño estallido en el quemador al apagarlo). El quemador se apagará pero la llama piloto seguirá encendida.
2. Para apagar la llama piloto, oprima la perilla de control y gírela hasta la posición "OFF" (apagado).
3. Gire la válvula del tanque hasta la posición "CLOSED" (cerrado) y desconecte el regulador cuando no vaya a usar el calentador.

Nota: Tras su uso, es normal que la malla del emisor presente alguna decoloración.

Limpieza y cuidado

⚠️ ADVERTENCIA: Todas la operaciones de limpieza y mantenimiento deben realizarse con el calentador frío y con el suministro de combustible cerrado.

⚠️ ADVERTENCIA: NO limpie ninguna pieza de este calentador en un horno de limpieza automática. El calor extremo dañará el terminado.

AVISOS

1. No use productos de limpieza abrasivos pues dañarán este aparato.

2. No utilice nunca productos limpiadores para limpiar cualquier pieza del calentador.
3. Nunca use ninguna pieza de este calentador en un horno de limpieza automática. El calor extremo dañará el terminado.

4. Puede requerirse una limpieza más frecuente según sea necesaria. Es esencial que el compartimiento de control, los quemadores y los pasajes de circulación de aire del calentador se mantengan limpios.

5. Arañas e insectos en estos lugares pueden crear una situación peligrosa que puede dañar el calentador o hacer que su operación no sea segura. Mantenga el área del quemador libre de arañas, telarañas o insectos. Limpie las perforaciones del quemador usando un limpiador de tubo para trabajo pesado. Un chorro de aire comprimido puede ayudar a desalojar las partículas más pequeñas.

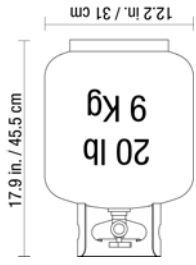
6. Revise el calentador antes de cada uso.
7. El calentador debería ser revisado meticulosamente antes de cada uso, así como una vez al año por parte de un técnico cualificado.

8. Compruebe el calentador inmediatamente si aparece alguno de los siguientes problemas:

Instalación del tanque de gas propano líquido

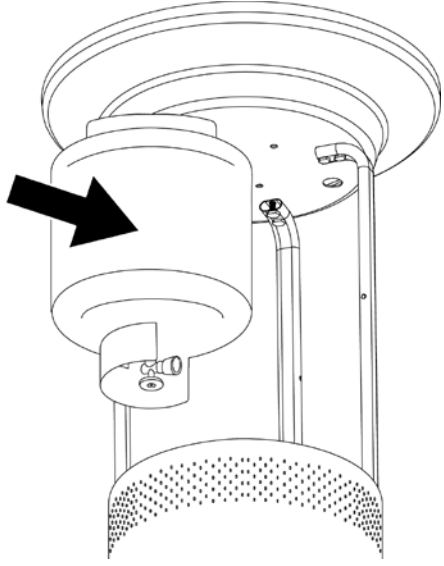
Para operar el calentador usted necesitará un (1) tanque de gas propano líquido de 20 libras (9 kg), para Parrilla estándar, llenado con precisión y con rosca para la conexión de la válvula externa.

Nota: Un tanque estándar vacío de gas propano líquido para Parrilla pesa aproximadamente 18 libras (8,1 kg). Un tanque estándar de gas propano líquido para Parrilla llenado con precisión no debe pesar más de 38 libras (17,2 kg).



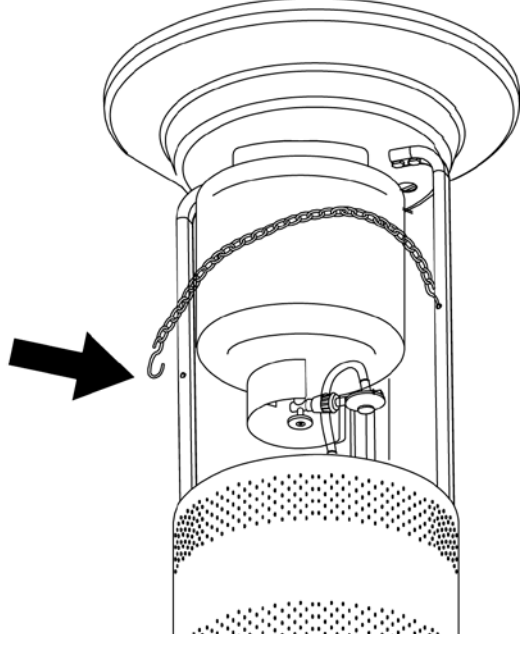
Coloque el tanque de gas propano líquido

Ponga el tanque de gas propano líquido, llenado con precisión, en la base del calentador, en posición vertical y colocado de manera que pueda extraerse el gas.



Asegure el tanque de gas propano líquido

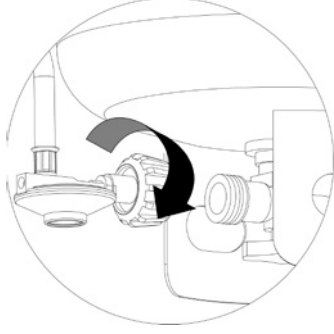
Asegure el tanque en su lugar fijando el extremo suelto de la cadena de amarre del tanque en la pata derecha de la unidad.



Conecte el tanque de gas propano líquido

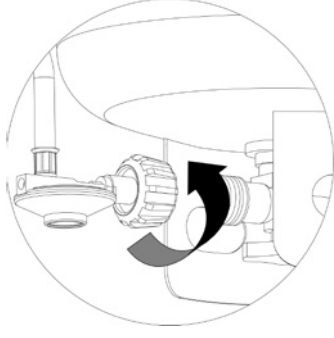
Antes de conectar, asegúrese que la parte superior del tanque de gas está limpia, lo mismo que la cabeza de la válvula del regulador, la cabeza del quemador y los orificios del quemador.

Conecte la línea de gas al tanque, girando el elemento de rosca de conexión al tanque en la dirección de las manecillas de reloj hasta que se detenga.



Desconecte el tanque de gas propano líquido

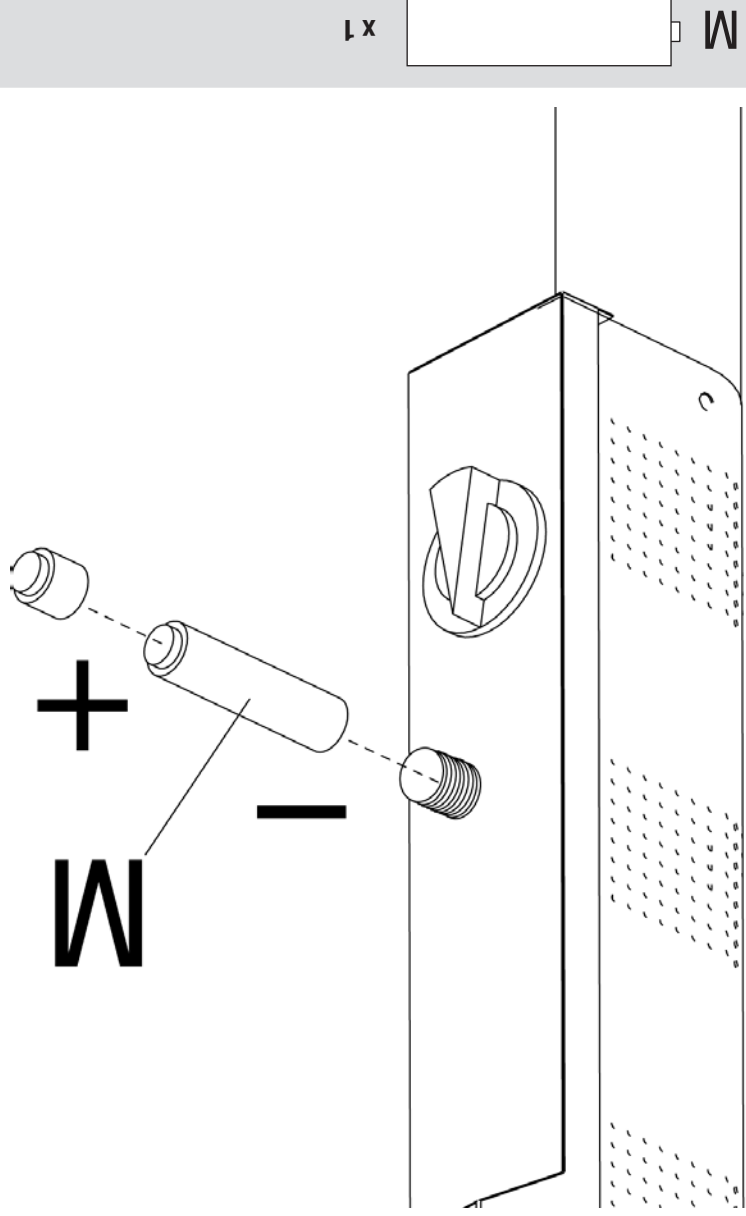
Antes de desconectar el tanque, asegúrese de que la válvula del tanque de gas propano líquido está en la posición "OFF" (apagado).
Desconecte la línea de gas al tanque girando la perilla en la dirección contraria a las manecillas de reloj hasta que este flojea.

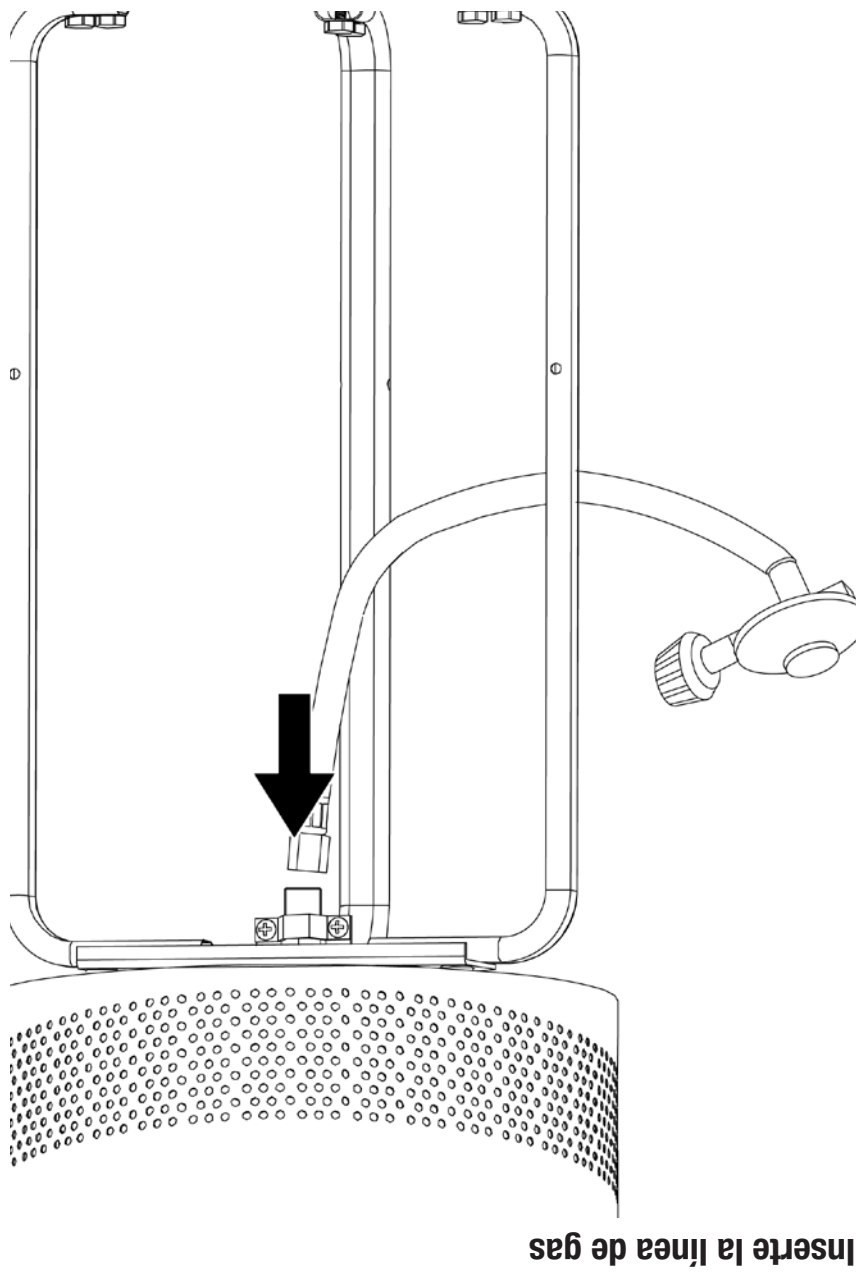


?Necesita un tanque de gas? Pruebe nuestro servicio de intercambio de tanques. Es sencillo, rápido, seguro y está disponible en decenas de miles de puestos de venta a lo largo de todo el país. Puede comprar un nuevo tanque lleno o cambiar su tanque vacío por un lleno.

13

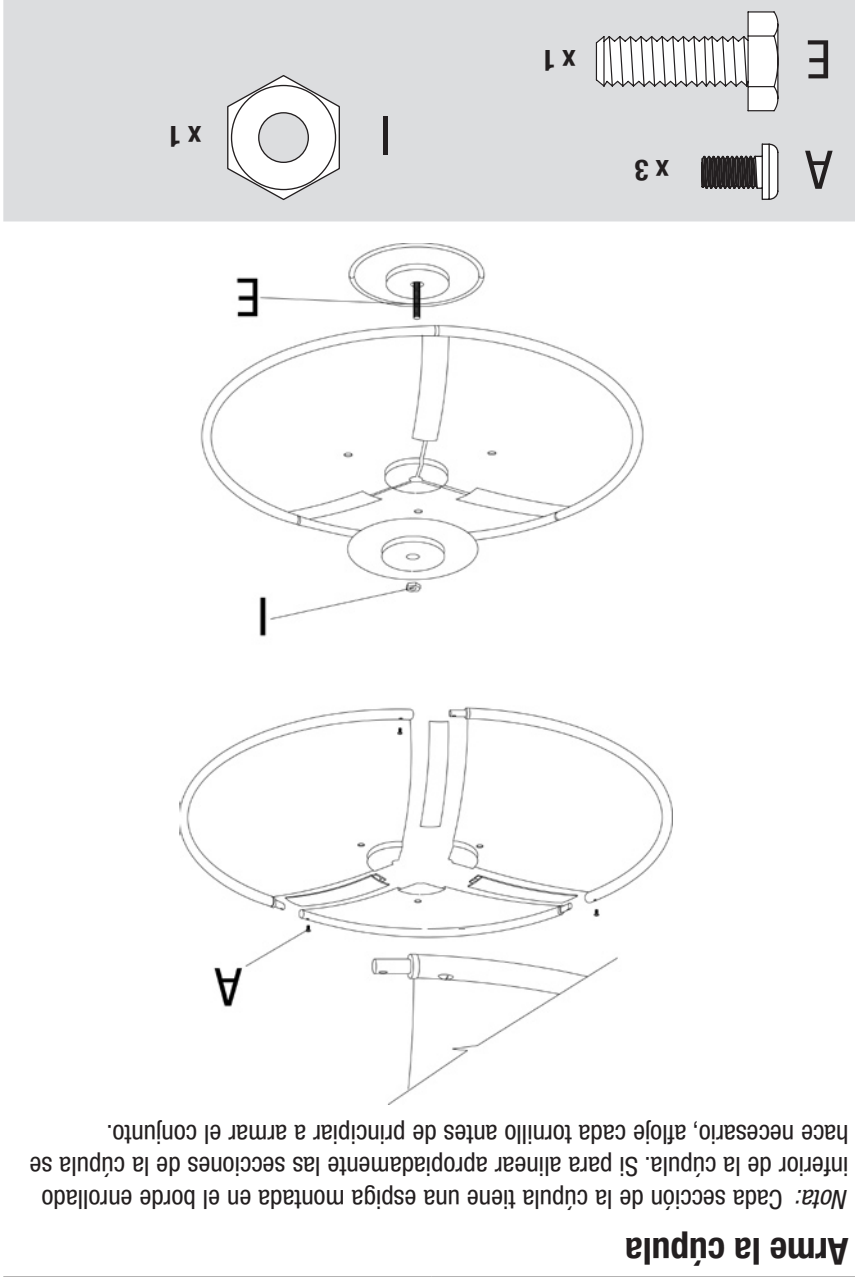
Inserte la pila





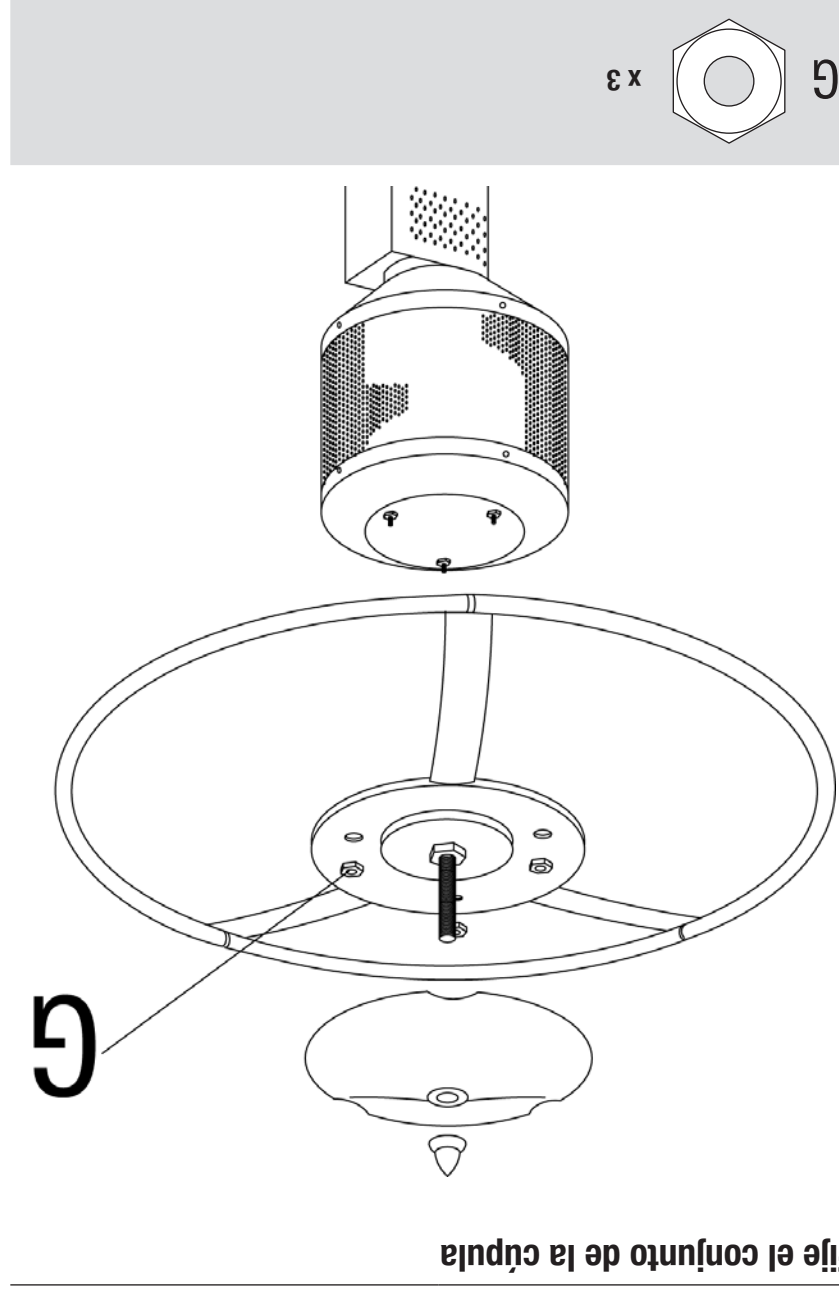
1 Inserte la línea de gas

9



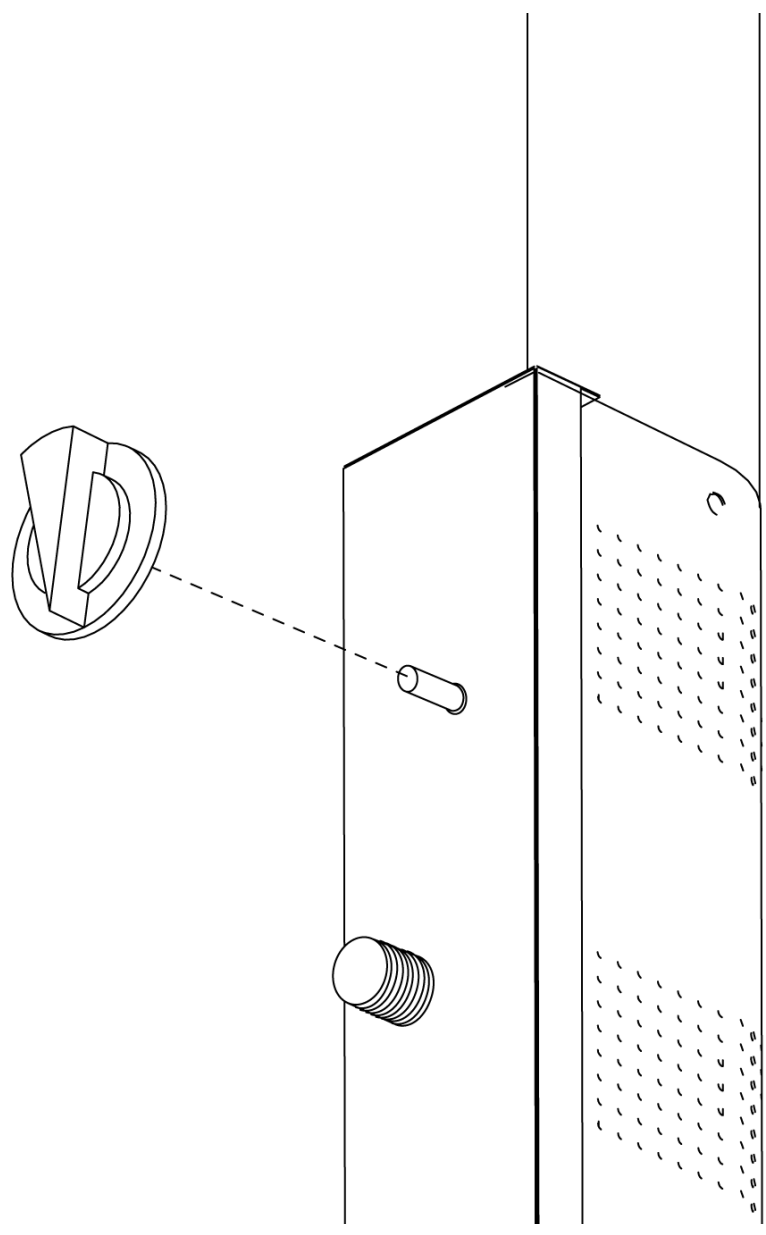
10 Arme la cúpula

10



11 Fije el conjunto de la cúpula

11



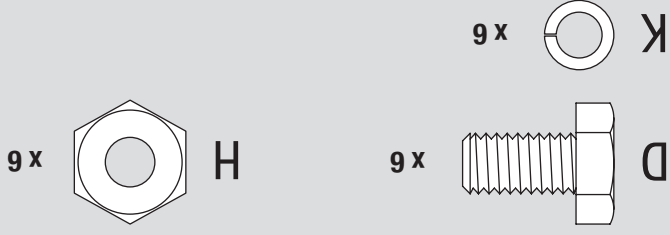
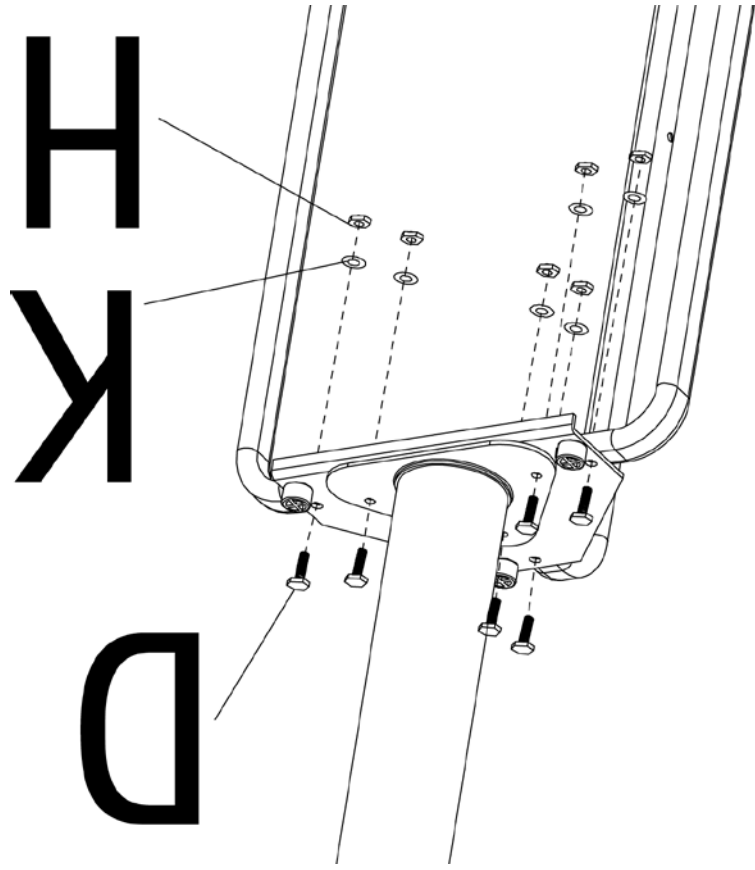
12 Fije la perilla de control

12

5

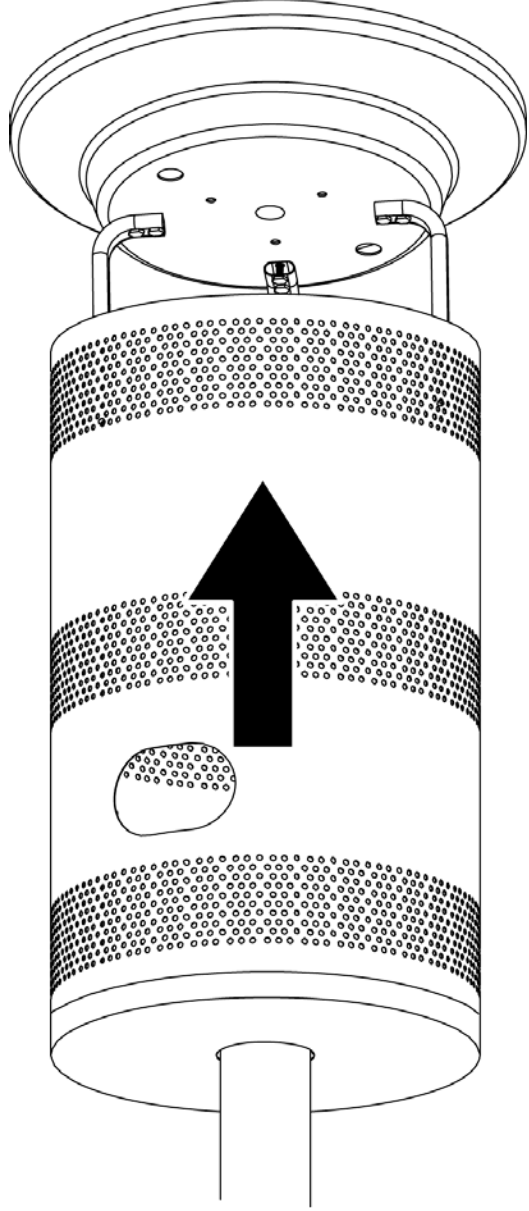
Fije la plataforma

SUGERENCIA: Para apretarlos, use una llave de 7/16" (11 mm) en el perno y una llave de copa de 7/16" (11 mm) en la tuerca.



6

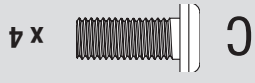
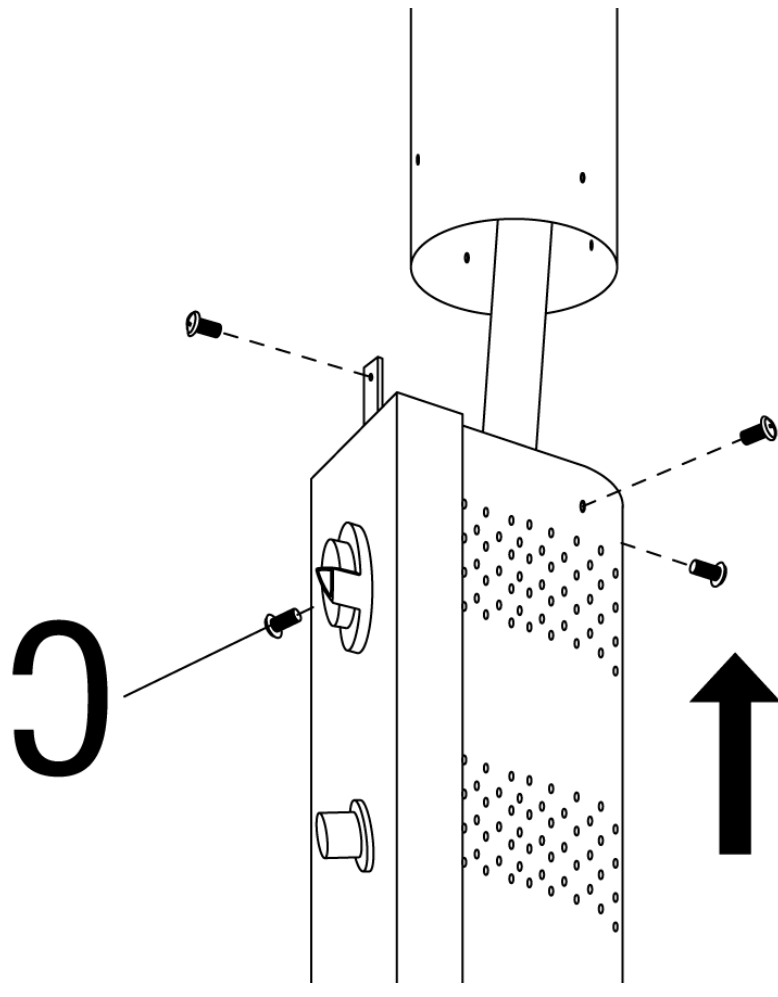
Coloque la gualdera



7

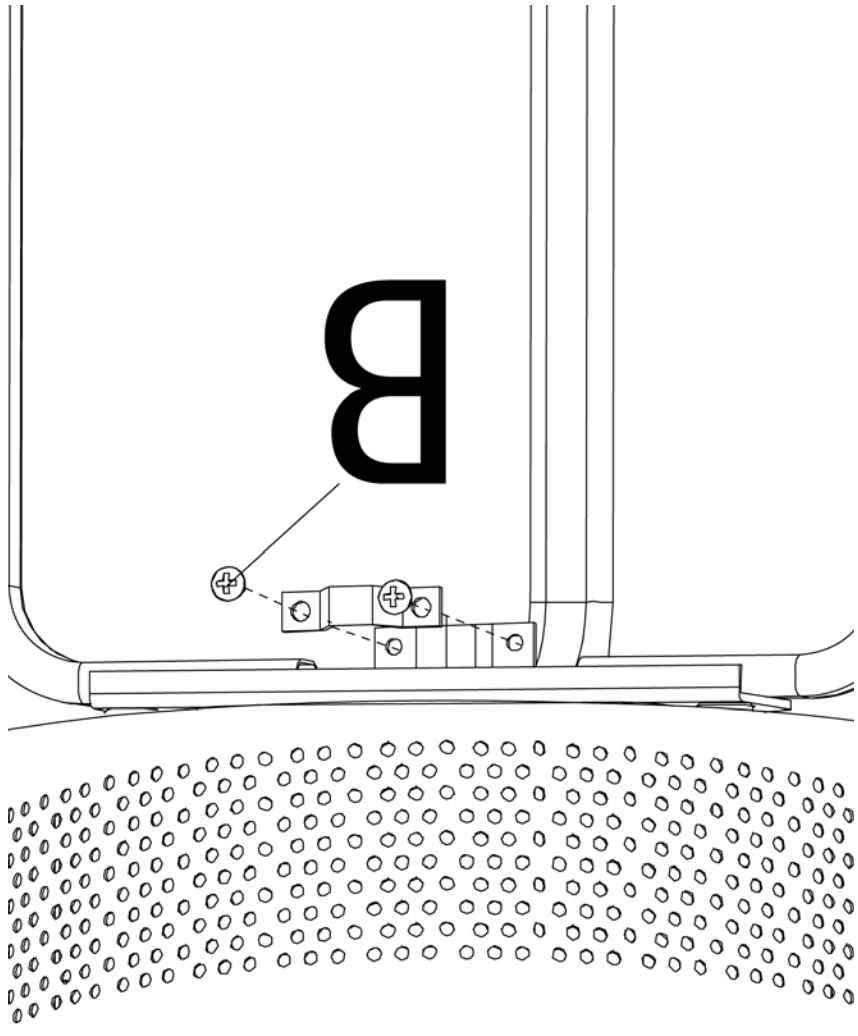
Fije el alojamiento de la válvula

Nota: Un orificio está a un nivel diferente que el resto. Asegúrese de que todos los orificios están correctamente alineados antes de insertar los tornillos.



8

Fije la abrazadera de la línea de gas





Instrucciones de armado

1 NO DEVUELVA EL PRODUCTO AL LUGAR DE COMPRA

Si necesita ayuda llame, sin cargo, al 1.800.762.1142. Por favor tenga a mano su manual y el número de serie de la unidad, para referencia.

Para facilitar el armado:

- Evite la pérdida de componentes pequeños o elementos de ferretería, armando el producto en un lugar de piso plano sin aberturas ni hendiduras.
- Despeje un área suficientemente grande para disponer todos los componentes y los elementos de ferretería.
- Cuando sea del caso, apriete a mano, en un principio, las conexiones de ferretería. Una vez que ha terminado el paso, apriete completamente todos los elementos de ferretería.
- Siga todos los pasos en el orden indicado para armar debidamente esta unidad.

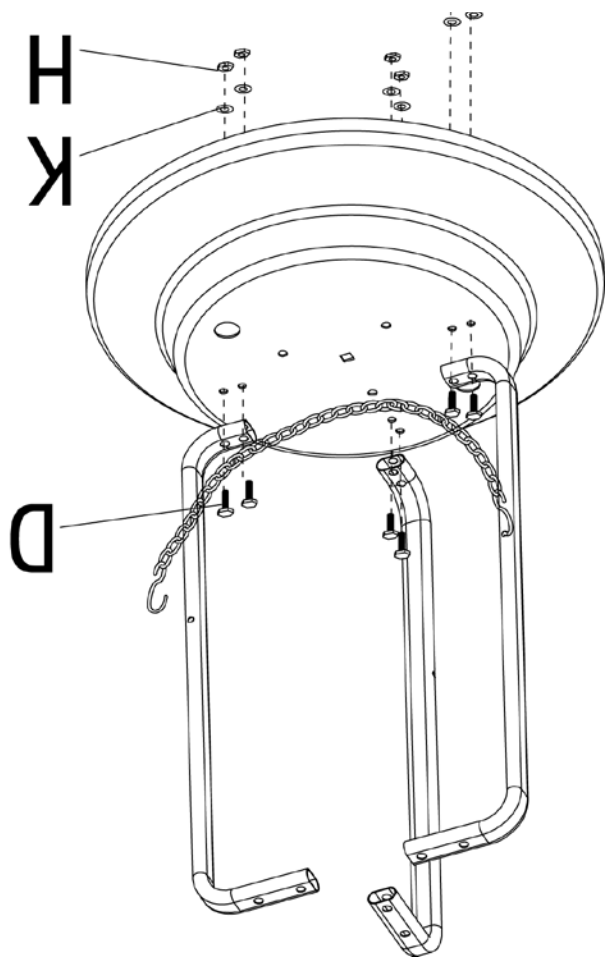
Para terminar el armado de la unidad necesitará:

- (1) solución para detección de fugas (las instrucciones sobre cómo prepararla las encontrará en la sección "Operación".
- (1) un tanque de gas propano líquido (de 15 a 19 litros), para parrilla, llenado con precisión y con rosca externa Acme Tipo 1 para conexión de válvula.

Nota: Es importante que siga en forma apropiada todos los pasos de armado del calentador.

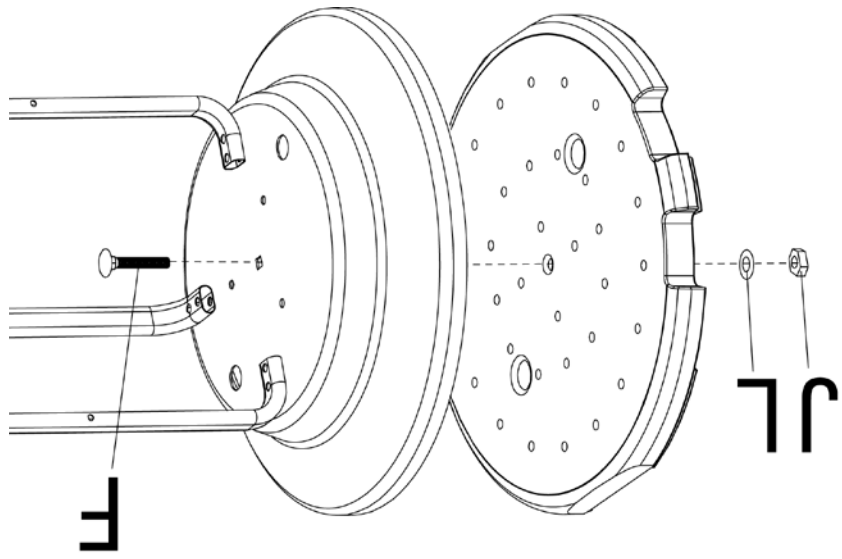
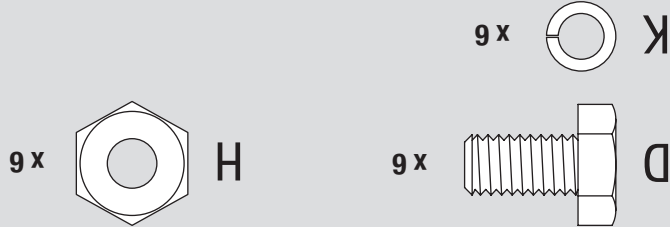
Tiempo de armado estimado: 1 (una) hora.

1



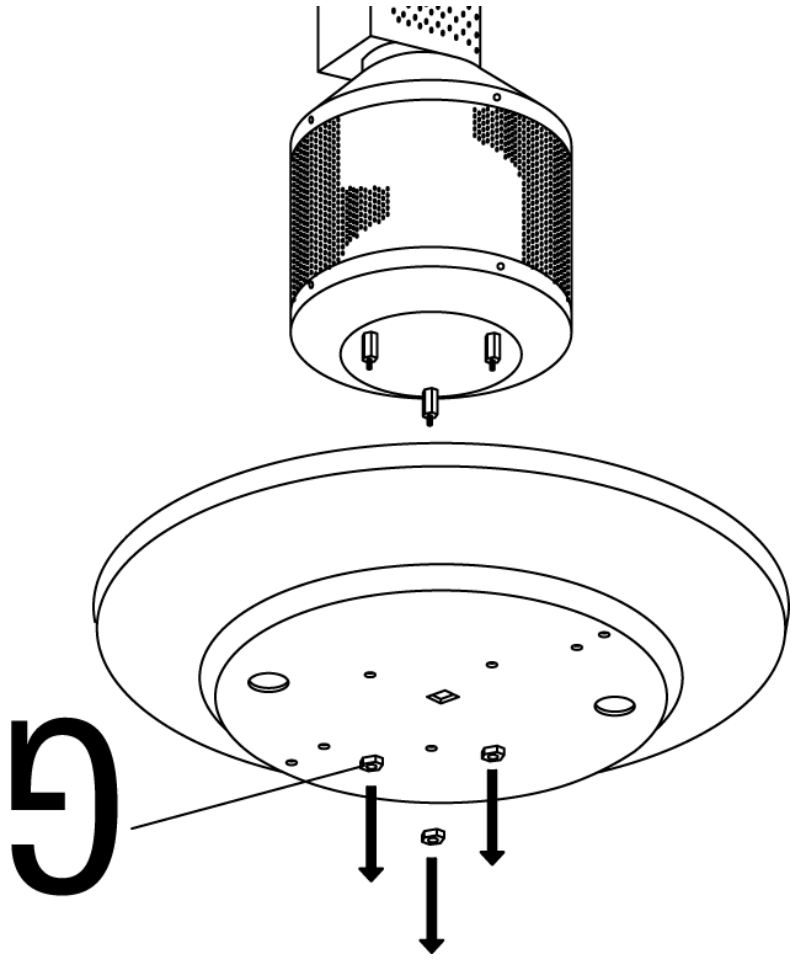
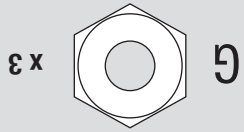
Fije las patas

3



Fije la placa pesada

4



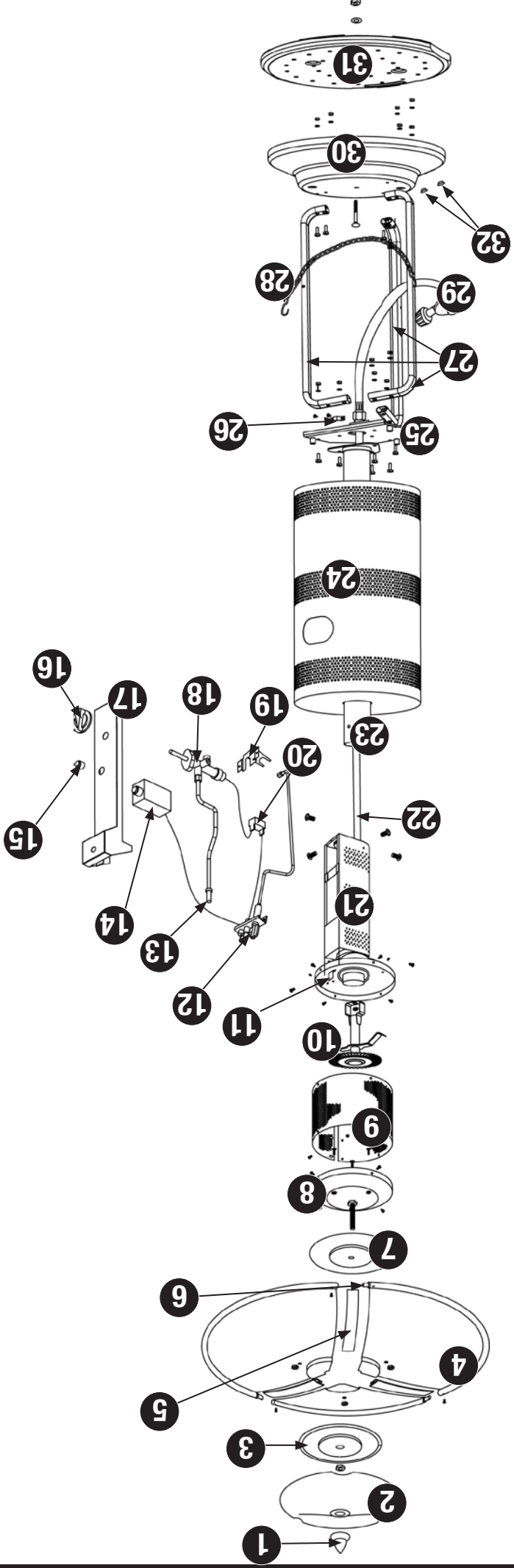
Remueva la base

Nota: No descarte estas tuercas ya que las necesitará para el próximo paso.

2

Si necesita ayuda llame al 1.800.762.1142. No vuelva al lugar de compra.

Diagrama de explosión



Lista de piezas

1	Florón	56-01-103
2	Tapa de la cúpula	56-01-104
3	Placa de la cúpula	56-01-105
4	Panel de la cúpula (3)	56-01-106
5	Costilla de la cúpula (3)	56-01-109
6	Tornillo de cúpula* (3)	56-01-459
7	Placa interior	56-01-110
8	Tapa del emisor*	56-01-399
9	Rejilla del emisor*	56-01-118
10	Quemador*	56-01-334
11	Placa de protección contra el calor del piloto*	56-01-151
12	Piloto*	56-01-127
13	Orificio del quemador*	56-01-131
14	Encendedor electrónico*	56-01-142
15	Botón del encendedor*	56-01-188
16	Perilla de control*	56-01-156
17	Panel de acceso*	56-01-140
18	Válvula*	56-01-144
19	Soposte de la válvula*	56-01-463
20	Interruptor de inclinación*	56-01-019
21	Alojamiento de la válvula*	56-01-144
22	Línea de gas	56-01-190
23	Poste	56-01-158
24	Gualdera	56-01-164
25	Plataforma	56-01-165
26	Abrazadera de la línea de gas	56-01-213
27	Pata (3)	56-01-491
28	Cadena de retención del tanque	56-01-186
29	Conjunto de regulador y manguera	56-01-192
30	Base	56-01-196
31	Placa pesada	56-01-198
32	Tapón para agujero (2)*	56-01-402

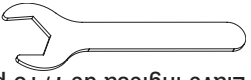
* Viene ensamblado

Elementos de ferretería

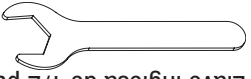
A	Tornillo	Acero inox., de cabeza redonda, 5/32 pulgada - M32 x 8	3 pzs
B	Tornillo	Galvanizado, negro, de cabeza Phillips, 3/16 pulgada - M24 x 15	1 pz
C	Tornillo	Acero inox., de cabeza Phillips, 1/4 pulgada - M20 x 16	4 pzs
D	Perno	Niquelado, de cabeza hex., 5/16 pulgada - M18 x 30	12 pzs
E	Perno	Acero inox. de cabeza hex. de 3/8 pulgada - M16 x 35	1 pz
F	Perno	Niquelado, de cabeza hex., 3/8 pulgada - M16 x 95	1 pz
G	Tuerca	Hexagonal, niquelada, 1/4 pulgada - M20	3 pzs
H	Tuerca	Hexagonal, de acero inox, 5/16 pulgada - M18	12 pzs
I	Tuerca	Hexagonal, de acero inox, 3/8 pulgada - M16	1 pz
J	Tuerca	Hexagonal, niquelada, 3/8 pulgada - M16	1 pz
K	Arandela de cierre	Niquelada, ø8	12 pzs
L	Arandela de cierre	Niquelada, ø10	1 pz
M	Pila	Pila AA	1 pz

Herramientas necesarias para el armado (no incluidas)

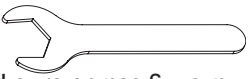
Llave inglesa de 7/16 pulgada (11 mm)



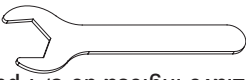
Llave inglesa de 1/2 pulgada (13 mm)



Llave inglesa de 9/16 pulgada (14 mm)



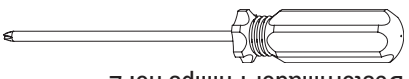
Llave inglesa de 3/4 pulgada (19 mm)



Llave de copa y copa de 1/2 pulgada (13 mm)




Destornillador Phillips no. 2






PELIGROS Y ADVERTENCIAS: PARA SU SEGURIDAD

 **Si huele a gas -**

1. Cierre la entrada de gas al aparato.
2. Apague cualquier llama activa.
3. Si el olor persiste, manténgase alejado del aparato y llame inmediatamente a su proveedor de gas o al departamento de bomberos.

 **PARA SU SEGURIDAD: ADVERTENCIA**

1. No guarde los tanques de gas propano líquido de repuesto en un radio inferior a 3 metros de este aparato.
2. No guarde o use gasolina u otros líquidos o vapores inflamables a menos de 7,62 metros de esta unidad o de cualquier otro aparato.
3. Un tanque de propano líquido que no esté conectado para su uso no se debe almacenar cerca de este o cualquier otro aparato.

▲ ADVERTENCIA:

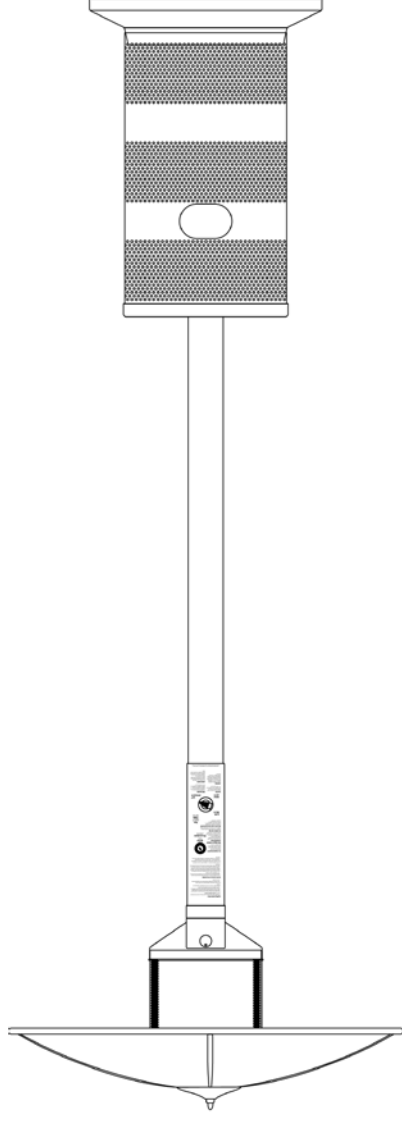
- ▲ Este calentador es para ser usado al aire libre únicamente y no debe usarse en un edificio, garaje o cualquier otra área cerrada.
- ▲ Mantenga siempre distancias libres a cualquier material combustible de 91 cm por arriba y de 61 cm por los lados del aparato.
- ▲ Este calentador utiliza únicamente gas propano líquido (LP) como combustible. El convertir o tratar de convertir este calentador de gas propano líquido para ser usado con gas natural es peligroso e invalida la garantía de la unidad.
- ▲ Características del gas propano líquido (LP):
 - a. El propano es inflamable y resulta peligroso si se manipula inadecuadamente. Antes de utilizar cualquier producto que emplee propano líquido, estudie detenidamente sus características.
 - b. El propano es un gas explosivo bajo presión, más denso que el aire y se asienta y acumula en las zonas más bajas.
 - c. En su estado natural, el propano no tiene ningún olor. Para su seguridad, se añade una esencia odorífera que huele a col podrida.
 - d. El contacto directo con el propano líquido puede causar quemaduras trías en la piel.
- ▲ Se requiere un tanque de gas propano líquido para hacer funcionar este aparato. Únicamente tanques marcados "Propano" pueden usarse en esta unidad.
- ▲ El tanque de gas de propano líquido (LP) debe estar fabricado y comercializado según las *Especificaciones para tanques de gas propano líquido (LP) del Departamento de Transporte (DOT) de EE.UU. o del Estándar nacional de Canadá, CAN/CSA-B339 sobre cilindros, esteras y tubos para el transporte de mercancías peligrosas; y la comisión.*
- ▲ El tanque de gas de propano líquido debe colocarse para facilitar la salida de vapores.
- ▲ El tanque de gas propano líquido debe tener un dispositivo que evite el sobrellenado del tanque (OPD).
- ▲ Utilice únicamente tanques de gas de 20 libras (9 kg) que tienen un dispositivo de conexión compatible con aparatos de cocción al aire libre.
- ▲ El tanque de propano líquido que use deberá incluir un collar que proteja la válvula del tanque.
- ▲ No utilice nunca un tanque de propano líquido si el cuerpo, la válvula, el collar o el anillo interior presentan algún daño.
- ▲ Los tanques de propano líquido abollados u oxidados pueden ser peligrosos y deberían ser revisados por su proveedor de gas propano líquido antes de utilizarlos.
- ▲ No deje caer el tanque de gas propano líquido ni lo maneje bruscamente.
- ▲ Los tanques deben almacenarse en exteriores, en un lugar al aire libre siempre fuera del alcance de los niños y nunca en un garaje, edificio o espacio cerrado. Nunca almacene tanques de gas en un lugar en el que la temperatura supere los 125°F (51,5 °C).
- ▲ No ponga nunca un tanque de propano líquido lleno en un carro o bauli calientes. El calor podría hacer que la presión del gas aumentase, lo que abriría la válvula de seguridad y haría que se escapase el gas.
- ▲ Nunca guarde un tanque adicional de propano debajo o cerca de este aparato. Nunca llene el tanque a más del 80% de su capacidad.
- ▲ No intente nunca acoplar este calentador al sistema de propano de un campero, de una casa móvil o de su propia casa.
- ▲ El uso de bebidas alcohólicas, medicamentos o drogas de farmacia puede afectar esta aparato.
- ▲ Todas las conexiones de gas de su calentador han sido verificadas en fábrica en cuanto a fugas de gas. Sin embargo, pruebe la integridad todas las conexiones ya que el movimiento en transporte puede aflojar algunas de ellas.
- ▲ Verifique que no haya fugas aun si el aparato ha sido armado por otra persona. No opere la unidad si hay una fuga de gas. Las fugas de gas pueden provocar un fuego o una explosión.
- ▲ Antes de operar esta unidad, debe observar todos los procedimientos para verificar que no hay fugas de gas. Para evitar cualquier riesgo de fuego o de explosión al comprobar si hay fugas:
 - a. Compruebe siempre si hay fugas antes de encender el calentador, cada vez que el tanque de gas está conectado.
 - b. No fume. No use o permita fuentes de ignición en el área al comprobar si hay fugas.
 - c. Siempre compruebe si hay fugas en exteriores donde hay una buena ventilación.
 - d. No use cerillas o fósforos, encendedores o una llama para comprobar si hay fugas.
 - e. No use el calentador hasta que todas las fugas hayan sido reparadas. Si no puede parar una fuga, desconecte el tanque de propano. Llame a un técnico o a su proveedor de propano local.
 - f. No guarde o use gasolina u otros líquidos o vapores inflamables a menos de 7,62 m de esta unidad.
 - ▲ No utilice la unidad en una atmósfera explosiva. Mantenga la zona del calentador libre de materiales combustibles, gasolina y cualquier otro vapor o líquido inflamable.
 - ▲ Mantenga alejados todo material y superficies combustibles del calentador en todo momento. NO use este calentador debajo de aleros o cerca de construcciones combustibles que no estén debidamente protegidas.
 - ▲ La combustión del propano produce monóxido de carbono, el que en áreas cerradas puede llegar a ser mortal.

- ▲ Es fundamental mantener limpio el compartimiento de la válvula del calentador, los quemadores y los conductos de aire circulante. Inspeccione el calentador antes de cada uso.
- ▲ La instalación y reparación de la unidad deben ser hechos por personal de servicio calificado.
- ▲ No altere el calentador de ninguna forma.
- ▲ No utilice el calentador a menos que esté COMPLETAMENTE montado y que todas las piezas estén bien fijadas y apretadas.
- ▲ Este calentador debe limpiarse y verificarse completamente de manera regular. Limpie y revise la manguera antes de cada uso del aparato. Si detecta alguna señal de abrasión, desgaste, cortes o fugas, deberá sustituir la manguera antes poner en marcha el aparato.
- ▲ Utilice únicamente el regulador y el conjunto de manguera incluido. El regulador de repuesto y el conjunto de manguera de repuesto serán los especificados por el fabricante.
- ▲ Inspeccione siempre el calentador antes de usarlo. Si encuentra alguna parte dañada, no lo opere antes de que el repuesto de equipo original haya sido apropiadamente instalado.
- ▲ Use únicamente piezas autorizadas de fábrica de Blue Rhino Global Sourcing, Inc. El uso de cualquier pieza no autorizada de fábrica puede ser peligroso. Su uso invalida su garantía. Llame al 1.800.762.1142
- ▲ Durante la operación de la unidad, tanto la cúpula como el quemador se ponen extremadamente calientes. Nunca toque la cúpula ni el quemador cuando el calentador esté operando. Después de usarlo, deje que el calentador se enfríe aproximadamente por 45 minutos.
- ▲ Durante el funcionamiento, no toque el conjunto del quemador. La superficie del emisor del calentador puede alcanzar temperaturas próximas a los 870° C (1600° F).
- ▲ No instale o utilice este aparato en embarcaciones o vehículos de recreo.
- ▲ No utilice el calentador si la velocidad del viento es superior a los 16 km/h.
- ▲ Si la temperatura es inferior a los 5° C (40° F), el calentador tendrá un rendimiento menor.
- ▲ No deje un calentador encendido sin vigilancia, especialmente, mantenga los niños y las mascotas lejos del calentador en todo momento.
- ▲ Extremar las precauciones cuando se encuentre cerca del calentador. Alerta especial para evitar quemaduras o que sus prendas puedan arder.
- ▲ No intente mover el calentador mientras esté encendido. Deje que el calentador se enfríe antes de moverlo o guardarlo.
- ▲ El almacenamiento del calentador en un espacio cerrado sólo está permitido si el tanque está desconectado, desmontado del aparato y guardado adecuadamente al aire libre.
- ▲ No trate de desconectar el regulador de gas del tanque, o cualquier otro accesorio de la línea de gas, mientras esté usando el calentador.
- ▲ Coloque siempre el calentador sobre una superficie firme y nivelada.
- ▲ Use precaución extrema cuando use la unidad en plataformas de madera.
- ▲ Retire las mangueras de gas lo más lejos posible de las superficies calientes.
- ▲ Mantenga todos los cables eléctricos lejos de un calentador caliente.
- ▲ No use el calentador para cocinar adentro o calentar el ambiente. Los gases TÓXICOS de monóxido de carbono pueden acumularse y provocar la asfixia.
- ▲ Mantenga lejos del quemador y de los controles los aspersores y cualquier otra salida de agua.
- ▲ No cuelgue ropa o cualquier otro material inflamable sobre el calentador o cerca de él.
- ▲ Deje siempre que el calentador se enfríe antes de realizar cualquier reparación.
- ▲ Antes de iniciar el funcionamiento del calentador, vuelva a colocar cualquier dispositivo de seguridad o de protección que hayan sido retirados para efectuar una revisión.
- ▲ Ciertos materiales u objetos, si se colocan debajo del calentador, estarán sujetos al calor irradiado y pueden resultar seriamente dañados.
- ▲ Después de un periodo de almacenamiento o de falta de uso de la unidad, verifique que no haya fugas u obstrucciones en el quemador e inspeccione la manguera para detectar zonas gastadas o cortes en ella.
- ▲ Si en cualquier momento, es incapaz de encender la llama piloto y huele a gas, espere 5 minutos para que el gas se disipe antes de intentar encender el calentador.
- ▲ El no esperar cinco minutos para permitir que el gas salga del calentador si el gas no se ha encendido, puede provocar una llamarada explosiva.
- ▲ Tenga cuidado al encender manualmente este calentador. Si mantiene la perilla de control apretada por más de 10 segundos, antes de prender el gas, se creará una bola de fuego al encenderse.
- ▲ Evite inhalar los humos emitidos durante el primer uso del calentador. Aparecerán humos y olores provenientes de la combustión de los aceites utilizados en la fabricación. Tanto el humo como el olor se disiparán después de aproximadamente, 30 minutos. NO debería producir un humo espeso y negro.
- ▲ Si el calentador no se está usando, el gas debe cerrarse en el tanque de suministro.
- ▲ No encienda esta unidad sin haber leído las instrucciones de "Encendido" que se encuentran en este manual.
- ▲ El no seguir exactamente las instrucciones dadas arriba puede producir daños a la propiedad, lesiones serias y hasta fatales.



Calentador para patio

Modelo no. GWU9209W / UB093-003-73-19

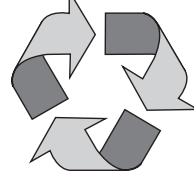


PELIGRO DE MONOXIDO DE CARBONO	
<ul style="list-style-type: none"> • Esta unidad produce monóxido de carbono el cual es inodoro. • El usarla en un espacio cerrado puede ser mortal. • Nunca use esta unidad en un espacio cerrado tal como en un campero, una tolda, un automóvil o en la casa. 	

ADVERTENCIA	
PARA SU SEGURIDAD:	
Solamente para uso en exteriores	
	(fuera de cualquier recinto)

ADVERTENCIA	
PARA SU SEGURIDAD:	
<p>▲ Una instalación, ajuste, alteración, reparación o mantenimiento inadecuados puede causar lesiones o daños a la propiedad.</p> <p>▲ Lea atentamente las instrucciones de instalación, funcionamiento y mantenimiento del equipo antes de instalarlo, ponerlo en marcha o darle servicio.</p> <p>▲ El no seguir estas instrucciones puede ocasionar un incendio o una explosión, con sus consecuentes daños a la propiedad, lesiones personales y hasta accidentes fatales.</p>	

Conserve estas instrucciones para futuras consultas. Si esta montando esta unidad para otra persona, entéguele este manual para futuras consultas.



Hecho con 70% de bagazo de caña de azúcar respetuoso del medio ambiente)



Salvaguardias importantes	Página 2
Diagrama de explosión y elementos de ferretería	3
Instrucciones de armado	4
Instalación del tanque de gas propano líquido	7
Coloque el tanque de gas propano líquido	7
Asegure el tanque de gas propano líquido	7
Conecte el tanque de gas propano líquido	7
Desconecte el tanque de gas propano líquido	7
Instrucciones de operación	8
Comprobar si hay fugas	8
Antes de encender la unidad	8
Encendido	8
Cuando el calentador está encendido (ON)	8
Reencendido	8
Apagado	8
Limpieza y cuidado	8
Limpieza de las superficies	9
Mantenimiento	9
Almacenamiento	9
Registro del producto	9
Garantía limitada	9
Resolución de problemas	10
Especificaciones	10

El uso e instalación de este producto ha de realizarse de acuerdo con los códigos locales. Si no existen códigos locales, use las normas siguientes: *Código Nacional para Gas Y Combustibles, ANSI Z223.1/NFPA 54, CAN/CGA-B149.1, Código de Instalación de Propano y Gas Natural.* Proposición 65 de California: La combustión del propano crea sustancias químicas consideradas por el Estado de California como causantes de cáncer, malformaciones congénitas u otros daños en el sistema reproductivo.

Fabricado en China para:
Blue Rhino Global Sourcing, Inc
Winston-Salem, NC 27105 EE.UU. • 1.800.762.1142, www.bluerhino.com

© 2008 Blue Rhino Global Sourcing, Inc. Todos los derechos reservados.
Blue Rhino® es una marca registrada de Ferrellgas, L.P. Todos los derechos reservados.